



US00D917617S

(12) **United States Design Patent** (10) **Patent No.:** **US D917,617 S**
Krapf et al. (45) **Date of Patent:** **** Apr. 27, 2021**

- (54) **WHITEBOARD**
- (71) Applicant: **W.A. Krapf, Inc.**, Macedon, NY (US)
- (72) Inventors: **Christian Krapf**, Rochester, NY (US);
Michael DiRisio, Fairport, NY (US);
Jason Stickney, Rochester, NY (US)
- (73) Assignee: **Magnatag Inc.**, Macedon, NY (US)
- (**) Term: **15 Years**
- (21) Appl. No.: **29/722,110**
- (22) Filed: **Jan. 27, 2020**
- (51) **LOC (13) Cl.** **19-06**
- (52) **U.S. Cl.**
USPC **D19/113**
- (58) **Field of Classification Search**
USPC D19/88, 113, 114; D6/300-314, 679,
D6/680, 680.1, 680.2; D7/698; D20/21,
D20/40, 42, 43
CPC A47G 1/065; A47G 1/0616; B43L 1/00;
B43L 1/002; B43L 1/008; B43L 1/04;
B43L 1/08; B43L 1/10; B43L 5/00; B44D
3/18; B44D 3/185; G09F 15/00; G09F
15/0056; G09F 15/0068
See application file for complete search history.

(56) **References Cited**

U.S. PATENT DOCUMENTS

754,190 A * 3/1904 Bechtold G09F 13/00
40/463
2,260,082 A * 10/1941 McCauley G09F 13/26
40/564
D205,177 S * 7/1966 Drugan et al. D20/43
D227,001 S * 5/1973 Dembar D6/301
D233,087 S * 10/1974 Martin D6/680
3,947,987 A * 4/1976 Allen G09F 7/22
40/493
D242,502 S * 11/1976 Hubitsky D20/29

D310,245 S * 8/1990 von Canal D20/21
D357,942 S * 5/1995 Louis-Seize D20/10
D364,278 S * 11/1995 Guyton D6/300
D383,920 S * 9/1997 Morgan D6/680
D394,964 S * 6/1998 Geier D6/680.2
D410,697 S * 6/1999 Smart D20/10
D435,181 S * 12/2000 Brozak, Jr. D6/680
6,443,317 B1 * 9/2002 Brozak, Jr. A47F 7/021
211/85.1
D500,418 S * 1/2005 Levin D6/680.2
D501,100 S * 1/2005 Walker D6/663
D522,269 S * 6/2006 Walker D6/663
D557,517 S * 12/2007 Greiner D6/661
D567,877 S * 4/2008 Krapf D20/21
D587,930 S * 3/2009 Greiner D6/657
D589,722 S * 4/2009 Greiner D6/661
D591,081 S * 4/2009 Greiner D6/671.2
D665,029 S * 8/2012 Krapf D20/21

(Continued)

Primary Examiner — Elizabeth A. Albert

(74) *Attorney, Agent, or Firm* — Woods Oviatt Gilman
LLP; Dennis B. Danella, Esq.

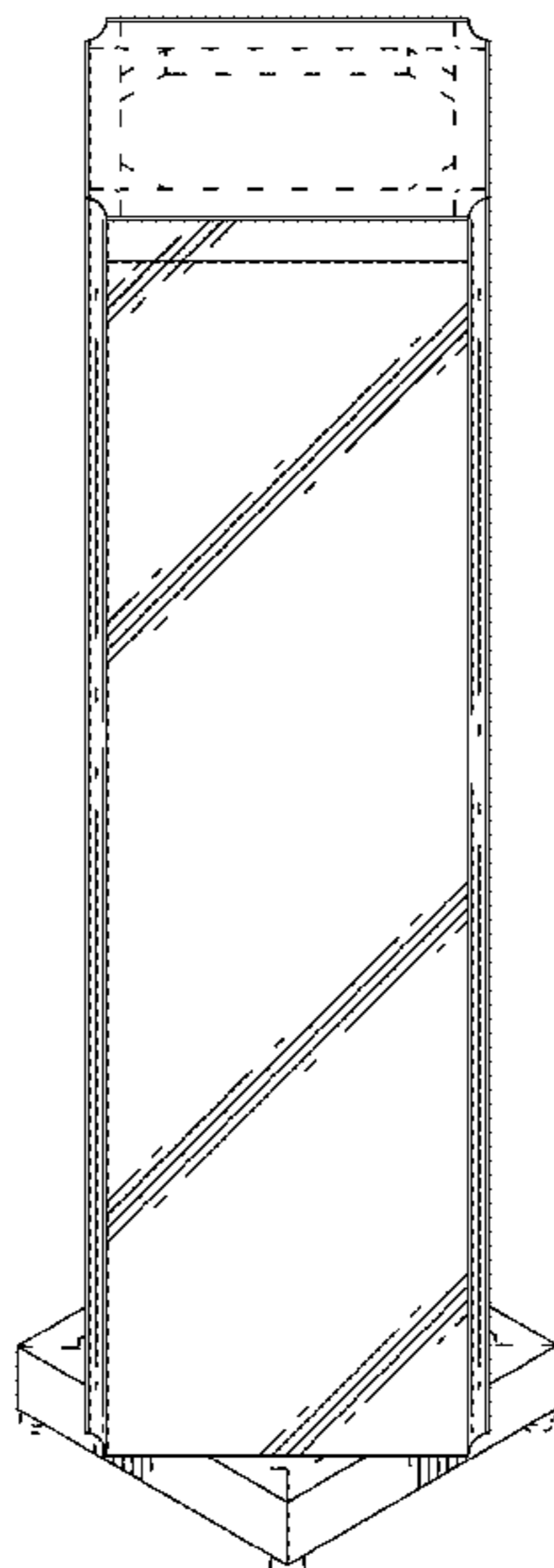
(57) **CLAIM**

The ornamental design for the whiteboard, as shown and described.

DESCRIPTION

FIG. 1 is a front right perspective view of a whiteboard showing our new design;
FIG. 2 is a front view thereof;
FIG. 3 is a right side view thereof;
FIG. 4 is a left side view thereof;
FIG. 5 is a back view thereof;
FIG. 6 is a top view thereof;
FIG. 7 is a bottom view thereof; and,
FIG. 8 is a front right perspective view thereof shown in a different position.
The portions of the drawings shown in broken lines form no part of the claimed design.

1 Claim, 7 Drawing Sheets



(56)

References Cited

U.S. PATENT DOCUMENTS

D739,464 S *	9/2015	Liu	D19/113
D783,321 S *	4/2017	Levy	D6/680.2
D806,456 S *	1/2018	Liebers	D6/682.3
2008/0120876 A1 *	5/2008	Krapf	F16C 39/066 40/473

* cited by examiner

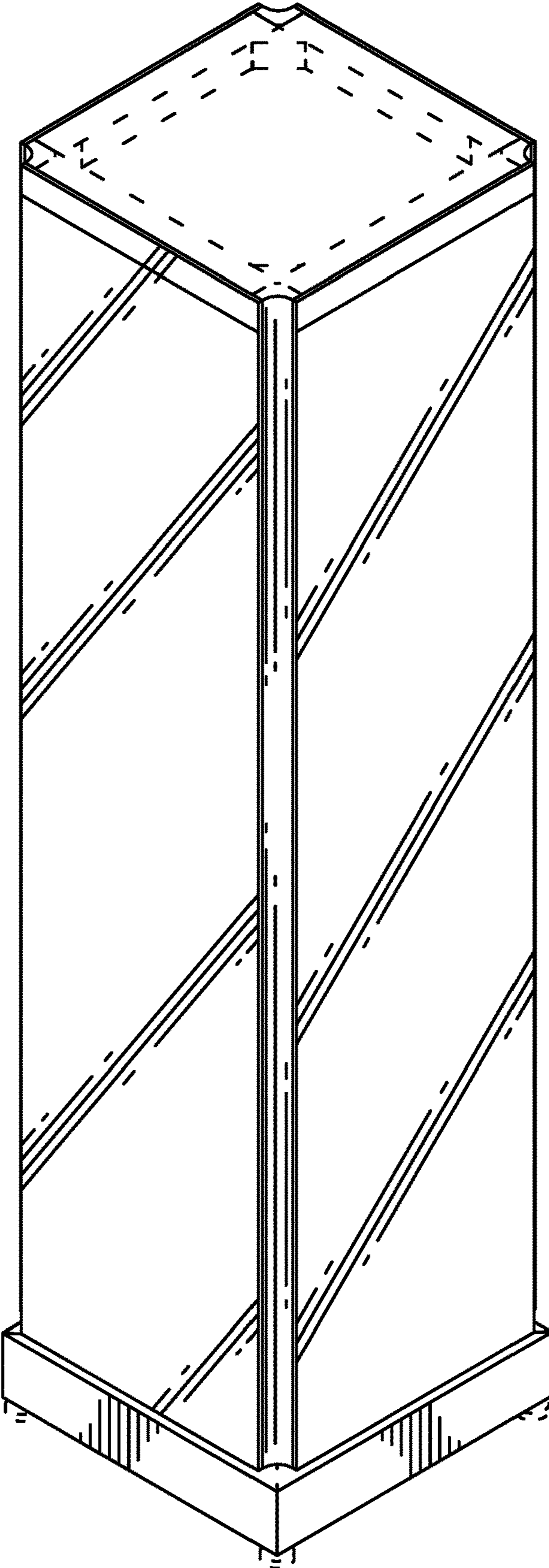


FIG. 1.

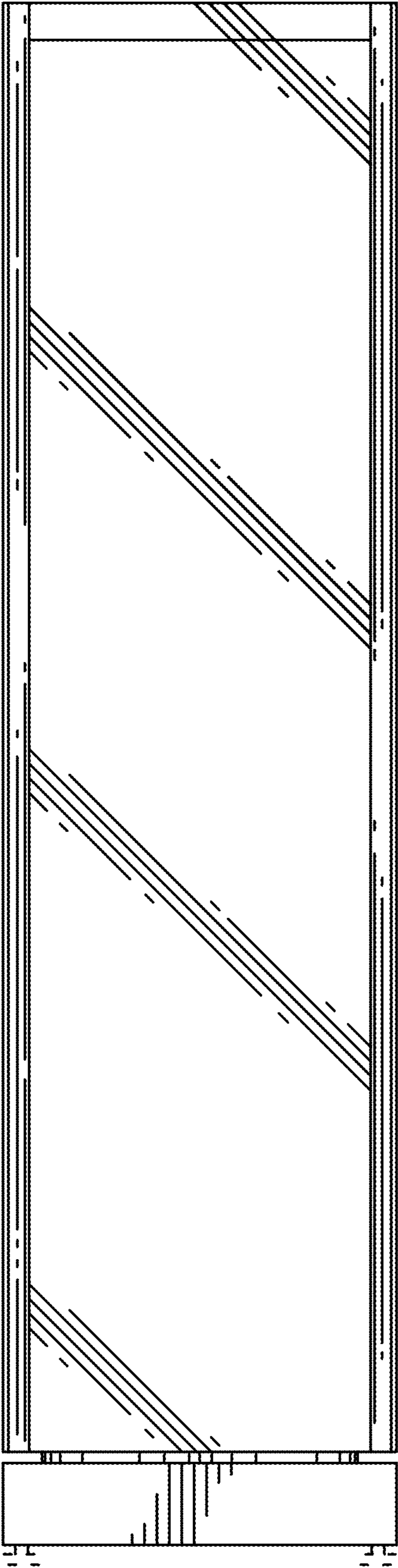


FIG. 2.

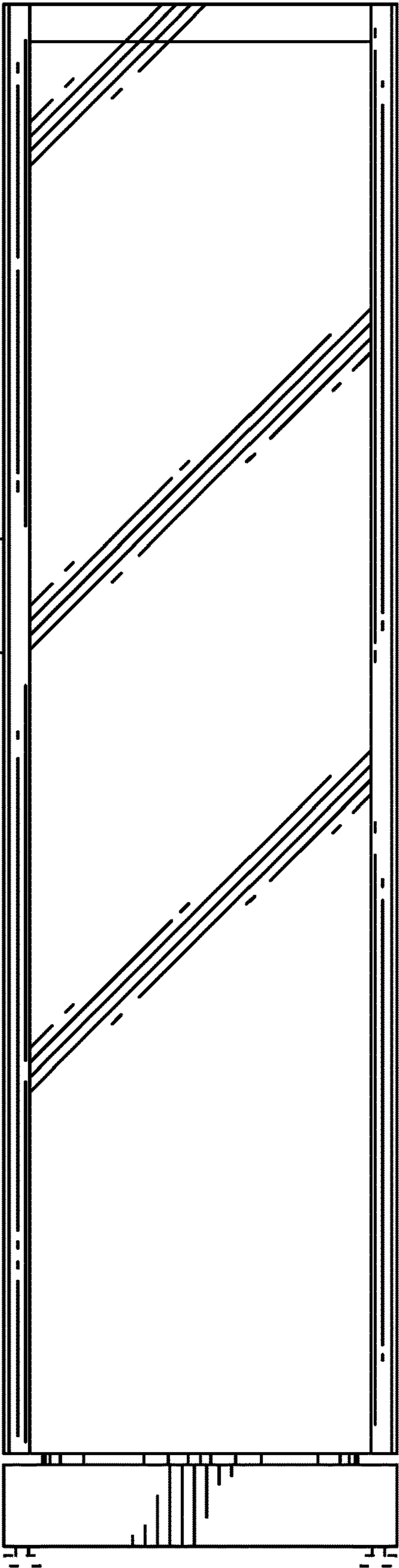


FIG. 3.

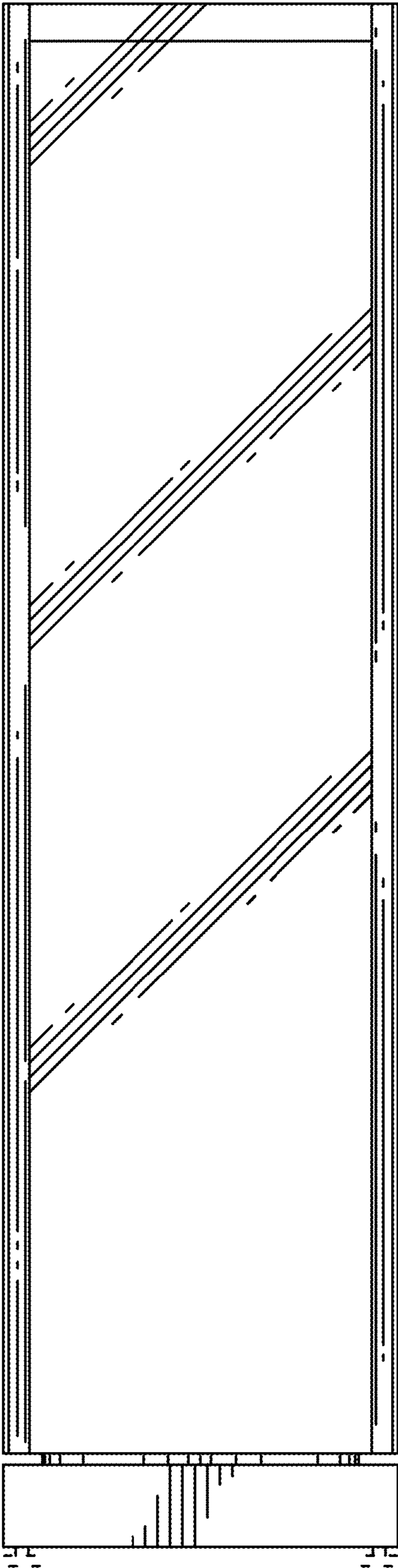


FIG. 4.

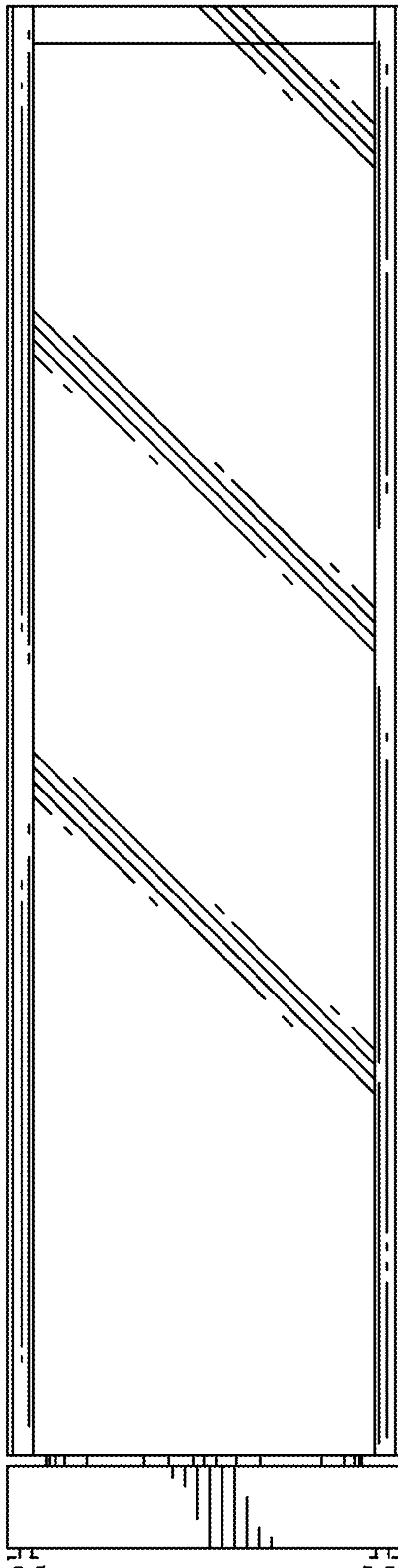


FIG. 5.

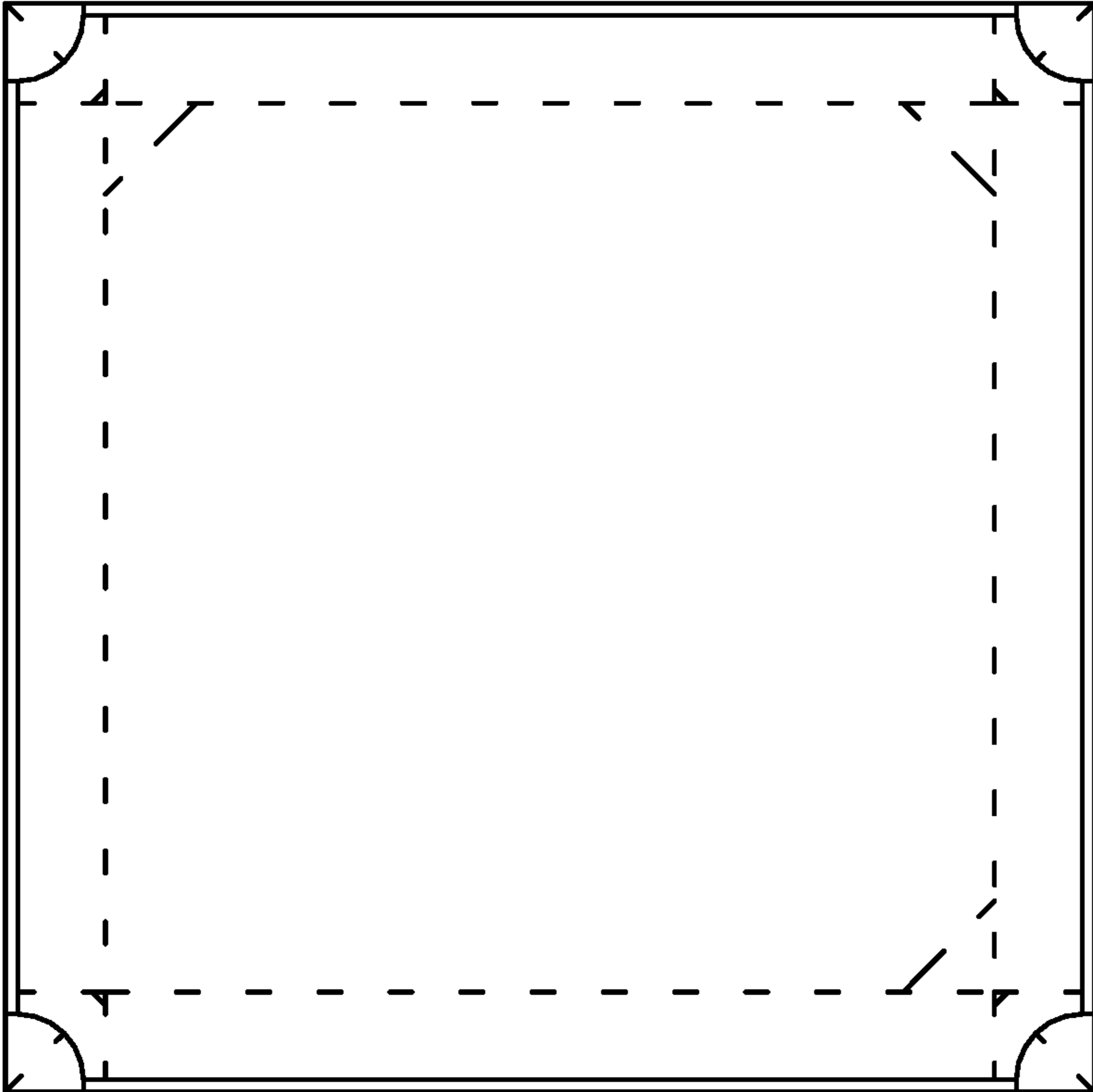


FIG. 6.

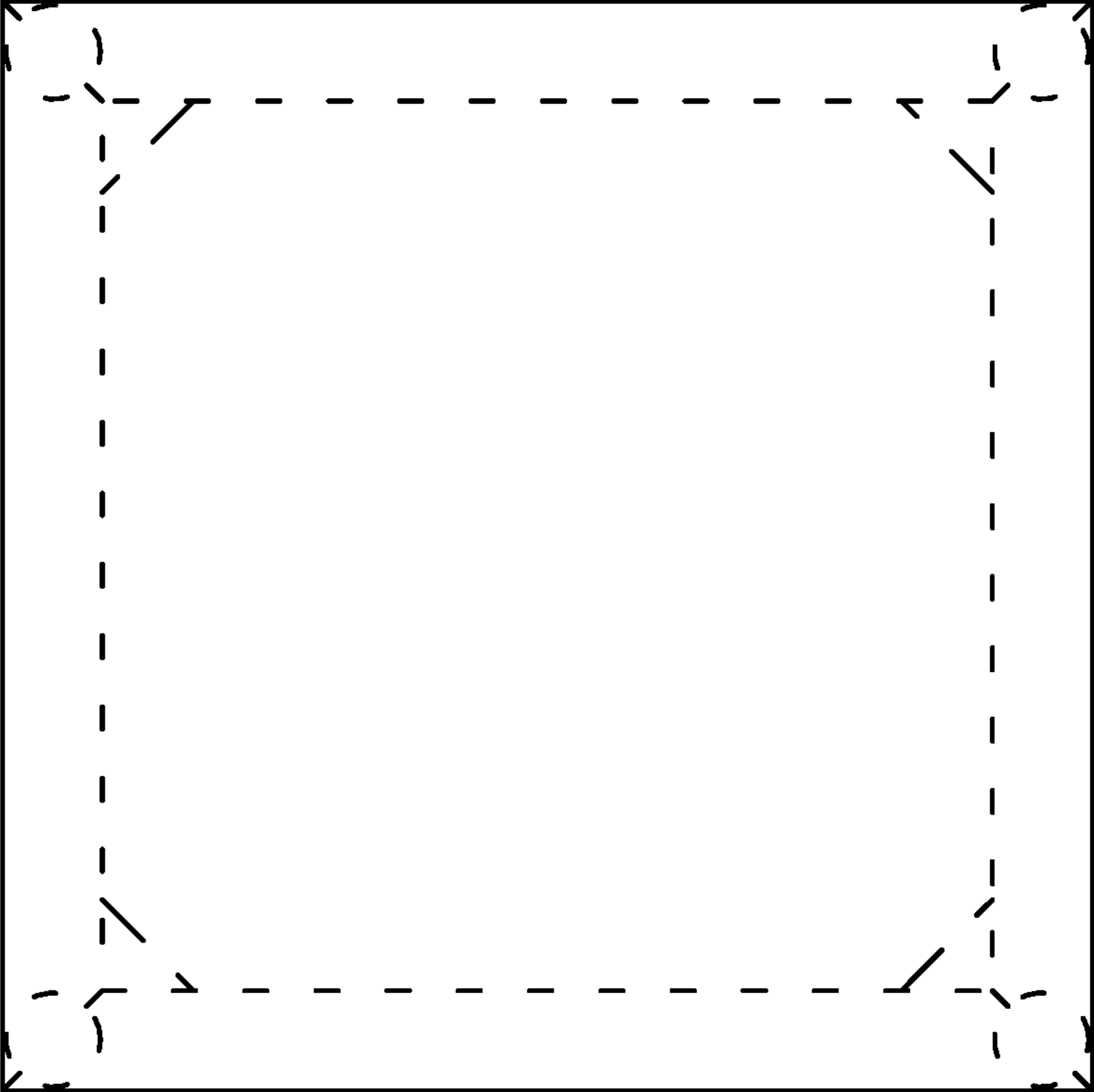


FIG. 7.

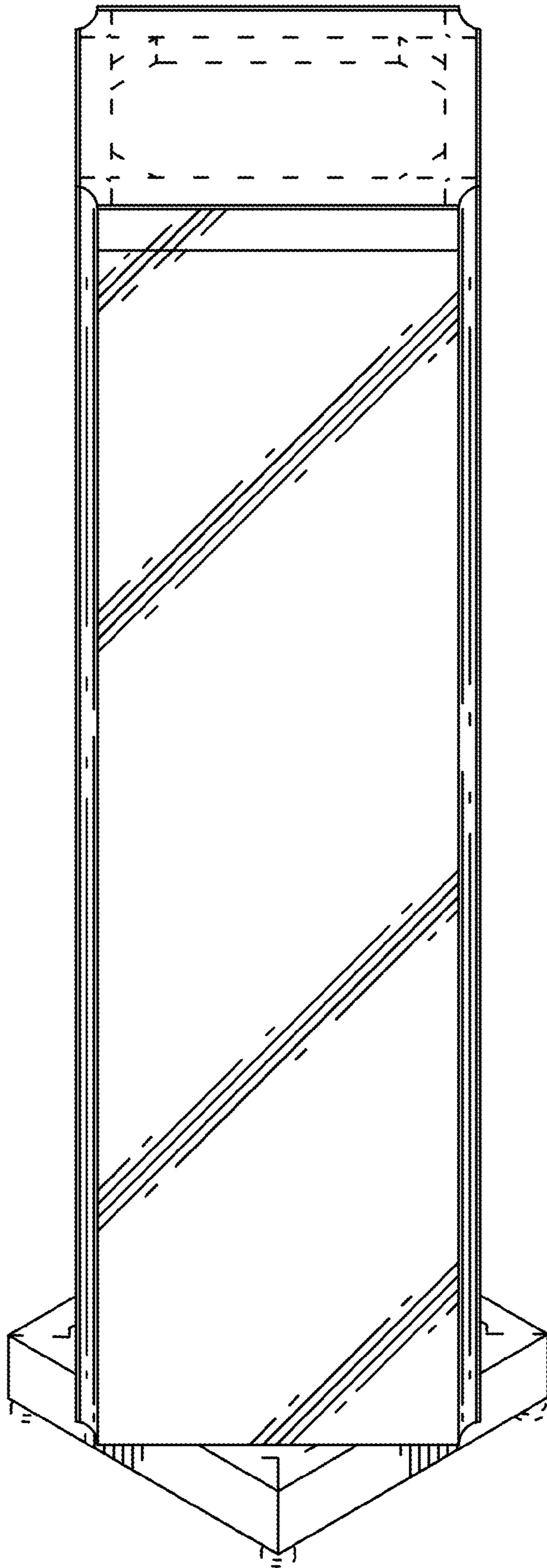


FIG. 8.