



US00D917613S

(12) **United States Design Patent**  
**Oda et al.**

(10) **Patent No.:** **US D917,613 S**  
(45) **Date of Patent:** **\*\* Apr. 27, 2021**

(54) **PRINTER**

FOREIGN PATENT DOCUMENTS

(71) Applicants: **Satoshi Oda**, Ohta-ku (JP); **Masahiro Yonekawa**, Ohta-ku (JP); **Masami Umezawa**, Ohta-ku (JP); **Kohei Chubachi**, Ohta-ku (JP)

CN 305530460 \* 1/2020  
EM 006277620-0001 \* 3/2019  
JP D1634104 \* 6/2019

(72) Inventors: **Satoshi Oda**, Ohta-ku (JP); **Masahiro Yonekawa**, Ohta-ku (JP); **Masami Umezawa**, Ohta-ku (JP); **Kohei Chubachi**, Ohta-ku (JP)

OTHER PUBLICATIONS

Amazon. Link: [https://www.amazon.com/dp/B07WBTN8JH/ref=cm\\_sw\\_r\\_tw\\_dp\\_U\\_x\\_wJmGEBbBHWFJBX](https://www.amazon.com/dp/B07WBTN8JH/ref=cm_sw_r_tw_dp_U_x_wJmGEBbBHWFJBX). Aug. 6, 2019. Xerox B215DNI Monochrome Multifunction Printer. (Year: 2019).\*

(Continued)

(73) Assignee: **Ricoh Company, Ltd.**, Tokyo (JP)

*Primary Examiner* — Lauren D McVey

(\*\*) Term: **15 Years**

(74) *Attorney, Agent, or Firm* — Oblon, McClelland, Maier & Neustadt, L.L.P.

(21) Appl. No.: **29/682,270**

(22) Filed: **Mar. 4, 2019**

(57) **CLAIM**

(30) **Foreign Application Priority Data**

The ornamental design for a printer, as shown and described.

Dec. 25, 2018 (JP) ..... 2018-028298

(51) **LOC (13) Cl.** ..... **14-02**

(52) **U.S. Cl.**  
USPC ..... **D18/53**

(58) **Field of Classification Search**  
USPC ..... D18/50, 53, 54, 55, 56, 59, 36, 37, 38,  
D18/39, 40, 41, 45; D14/301, 307, 121  
CPC ..... H04N 1/00204; H04N 1/00249; H04N  
1/00278; G06K 15/12; G06K 15/14; B41J  
3/00; B41J 3/28; B41J 3/445; B41J 3/46  
See application file for complete search history.

**DESCRIPTION**

FIG. 1 is a front, top, and left side perspective view of a printer;  
FIG. 2 is a rear, top, and right side perspective view thereof;  
FIG. 3 is a front elevational view thereof;  
FIG. 4 is a rear elevational view thereof;  
FIG. 5 is a top plan view thereof;  
FIG. 6 is a bottom plan view thereof;  
FIG. 7 is a right side elevational view thereof; and,  
FIG. 8 is a left side elevational view thereof.  
The broken lines immediately adjacent to the shaded areas depict the bounds of the claimed design, while all other broken lines are directed to environment. The broken lines form no part of the claimed design. In addition, the unshaded bottom surface that directly adjoins the claimed solid line edge forms no part of the claimed design.

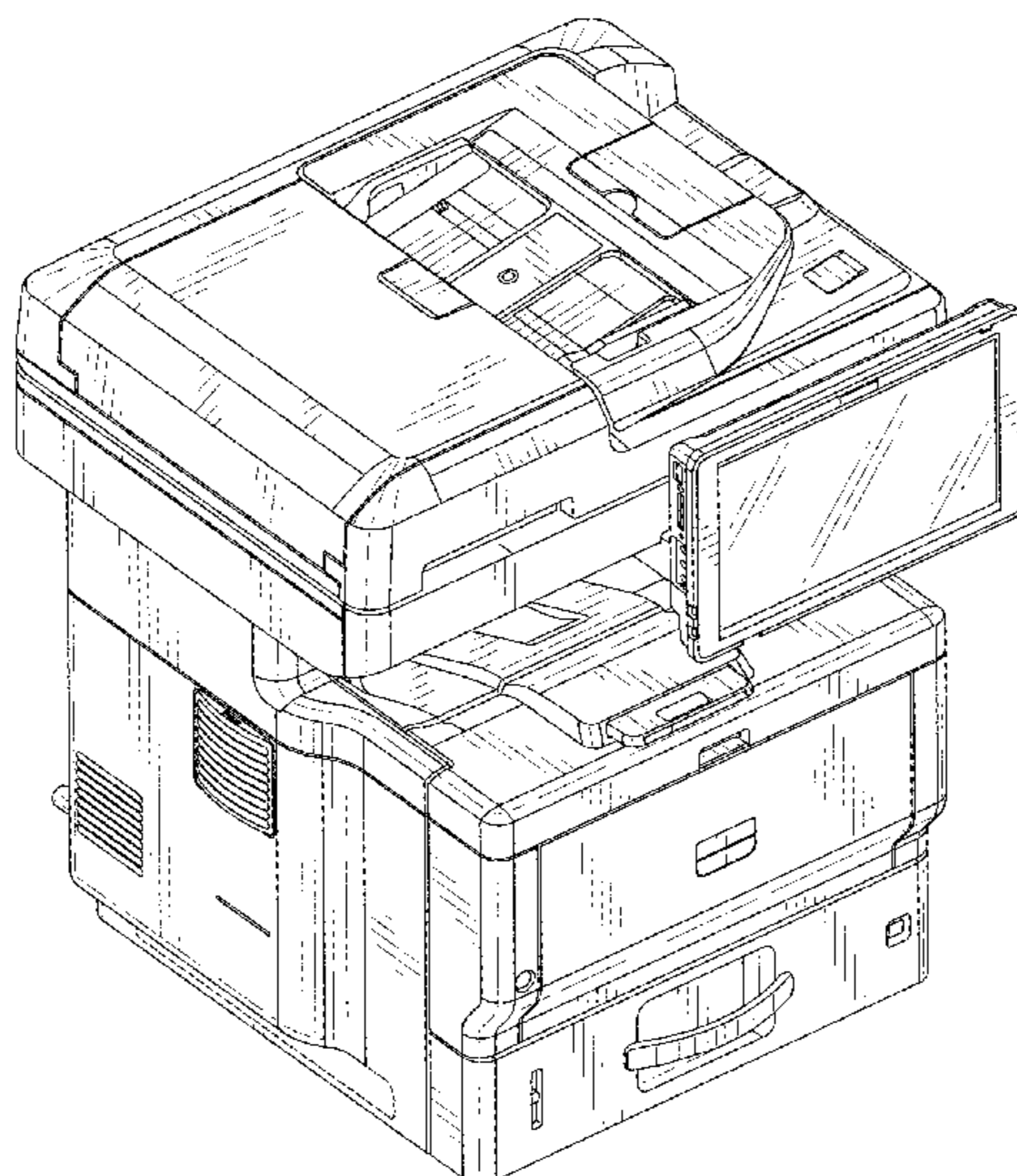
(56) **References Cited**

U.S. PATENT DOCUMENTS

D502,210 S \* 2/2005 Katori ..... D14/463  
D701,563 S \* 3/2014 Kim ..... D18/39  
D724,140 S \* 3/2015 Nishimura ..... D18/50  
D727,415 S \* 4/2015 Takeda ..... D18/53  
D727,416 S \* 4/2015 Kurita ..... D18/55

(Continued)

**1 Claim, 8 Drawing Sheets**



(56)

**References Cited**

U.S. PATENT DOCUMENTS

D755,286 S	*	5/2016	Kim	.....	D18/55
D777,833 S	*	1/2017	Kim	.....	D18/53
D778,983 S	*	2/2017	Kim	.....	D18/53
D780,840 S	*	3/2017	Kim	.....	D18/55
D811,474 S	*	2/2018	Kim	.....	D18/55
D815,197 S	*	4/2018	Kim	.....	D18/50
D815,199 S	*	4/2018	Kim	.....	D18/53
D832,343 S	*	10/2018	Kim	.....	D18/53

OTHER PUBLICATIONS

Amazon. Link: [https://www.amazon.com/dp/B01BBL1MTO/ref=cm\\_sw\\_r\\_tw\\_dp\\_U\\_x\\_SMmGEbFAHTSH4](https://www.amazon.com/dp/B01BBL1MTO/ref=cm_sw_r_tw_dp_U_x_SMmGEbFAHTSH4). Jan. 25, 2016. Lexmark CX725de Color All-In One Laser Printer. (Year: 2016).\*

Amazon. Link: [https://www.amazon.com/dp/B01BBL1QBI/ref=cm\\_sw\\_r\\_tw\\_dp\\_U\\_x\\_mLmGEb73PNTBF](https://www.amazon.com/dp/B01BBL1QBI/ref=cm_sw_r_tw_dp_U_x_mLmGEb73PNTBF). Jan. 25, 2016. Lexmark CX825DTFE Color Laser Multifunction Printer (42K0042). (Year: 2016).\*

Amazon. Link: [https://www.amazon.com/dp/B074VLRDR8/ref=cm\\_sw\\_r\\_tw\\_dp\\_U\\_x\\_mKmGEbDWKHCS9](https://www.amazon.com/dp/B074VLRDR8/ref=cm_sw_r_tw_dp_U_x_mKmGEbDWKHCS9). Aug. 22, 2017. Lexmark CX922de Multifunction Color Laser Printer / Scanner / Copier / Fax. (Year: 2017).\*

\* cited by examiner

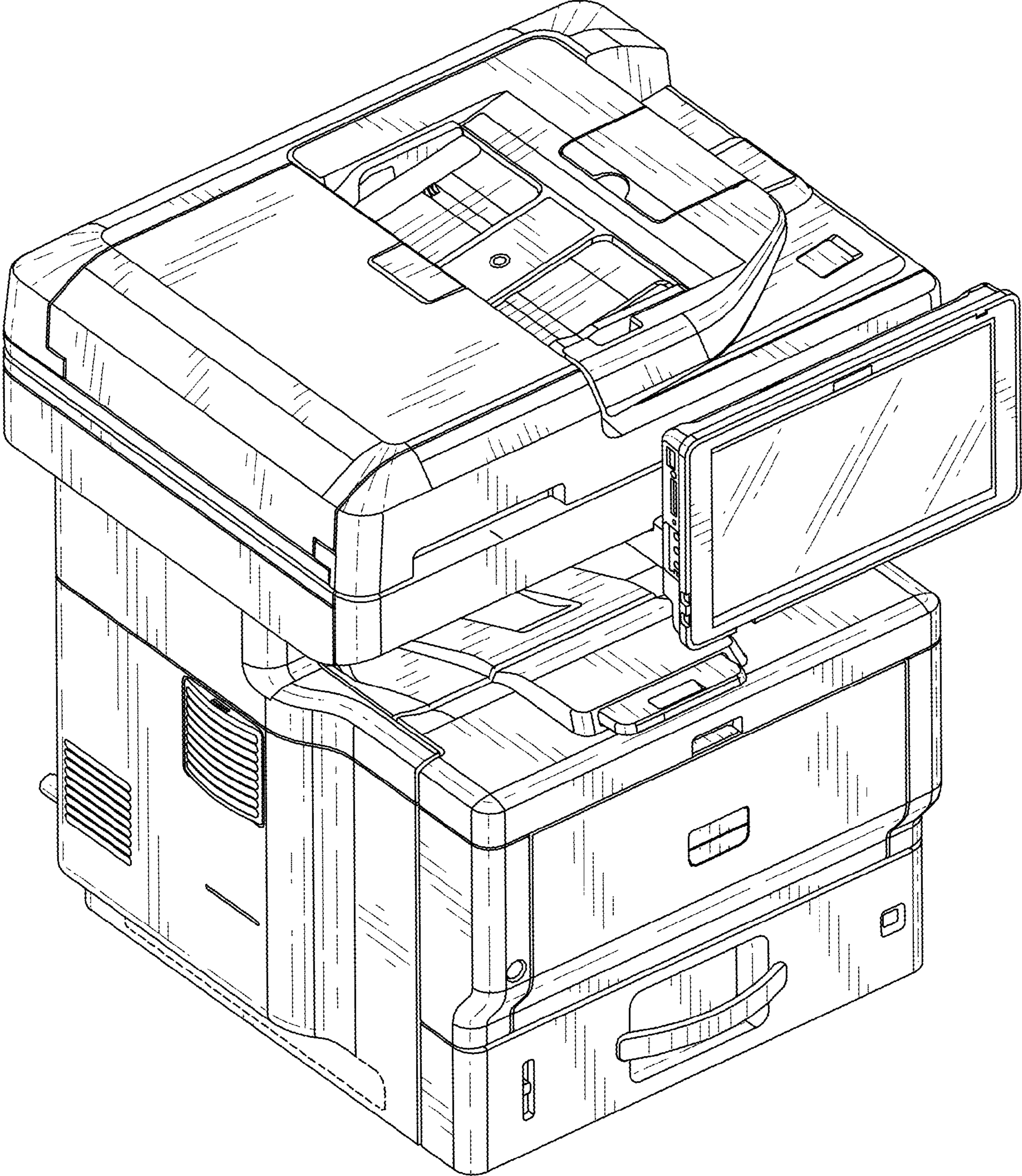


FIG. 1

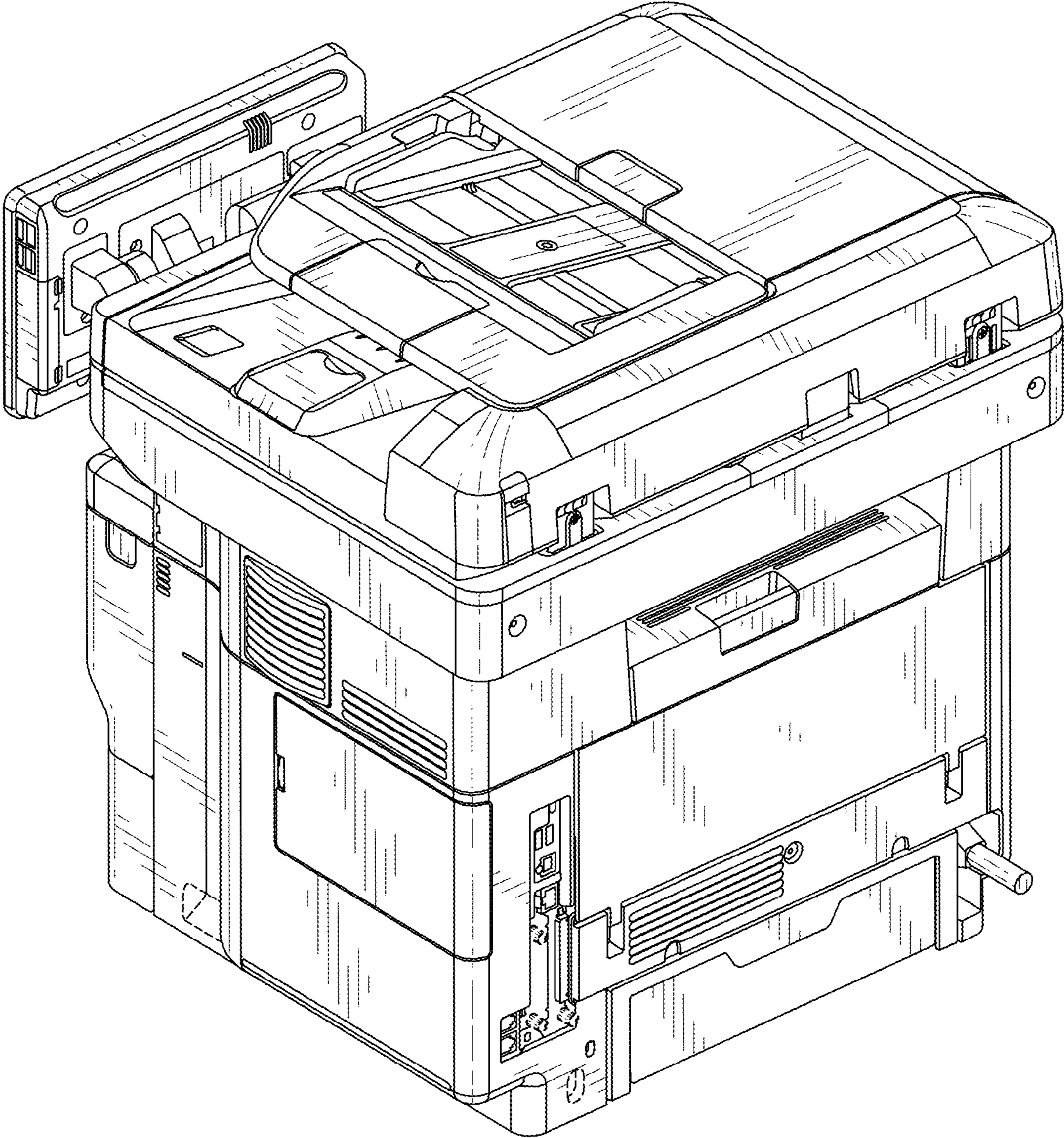


FIG. 2

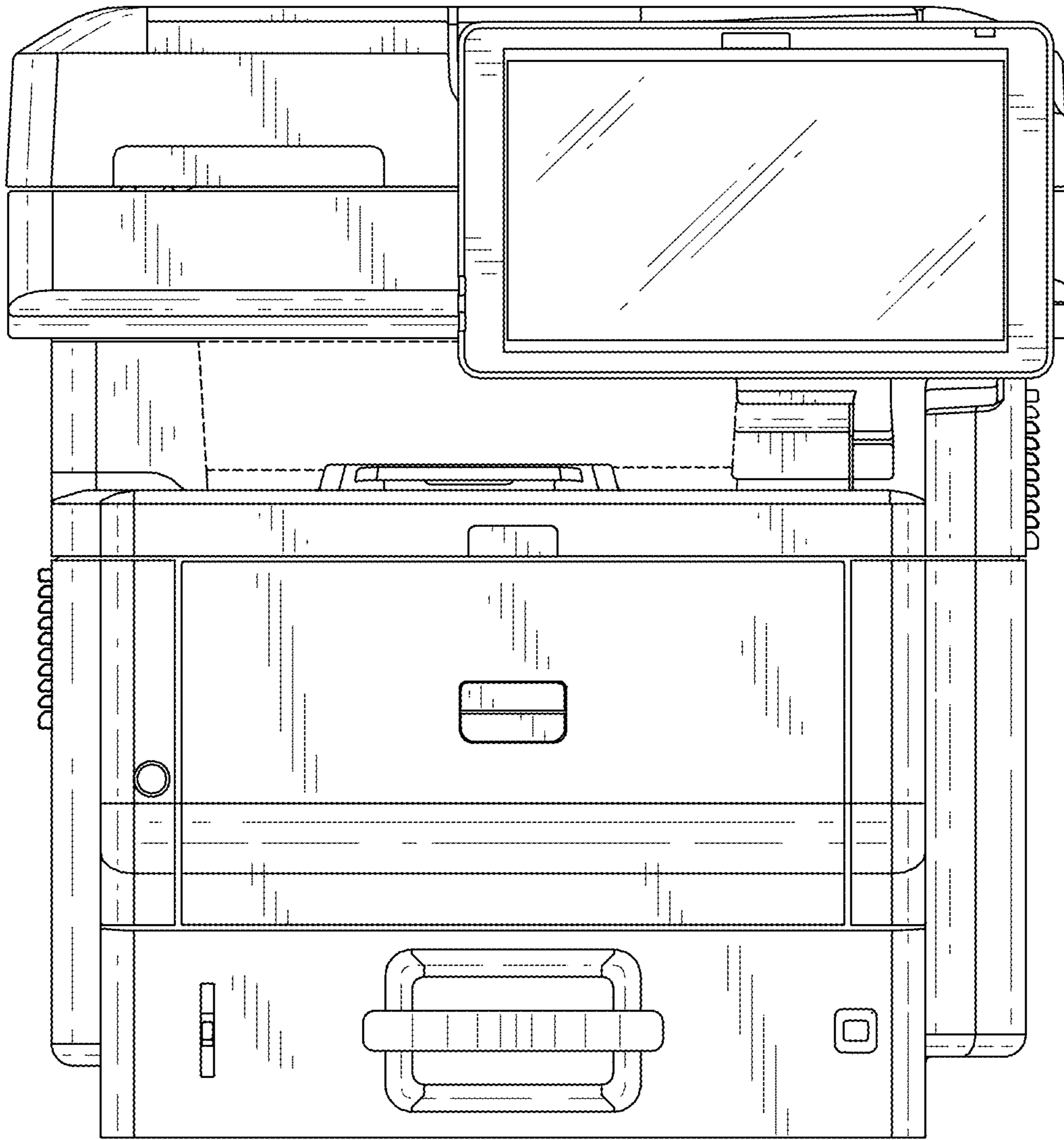


FIG. 3

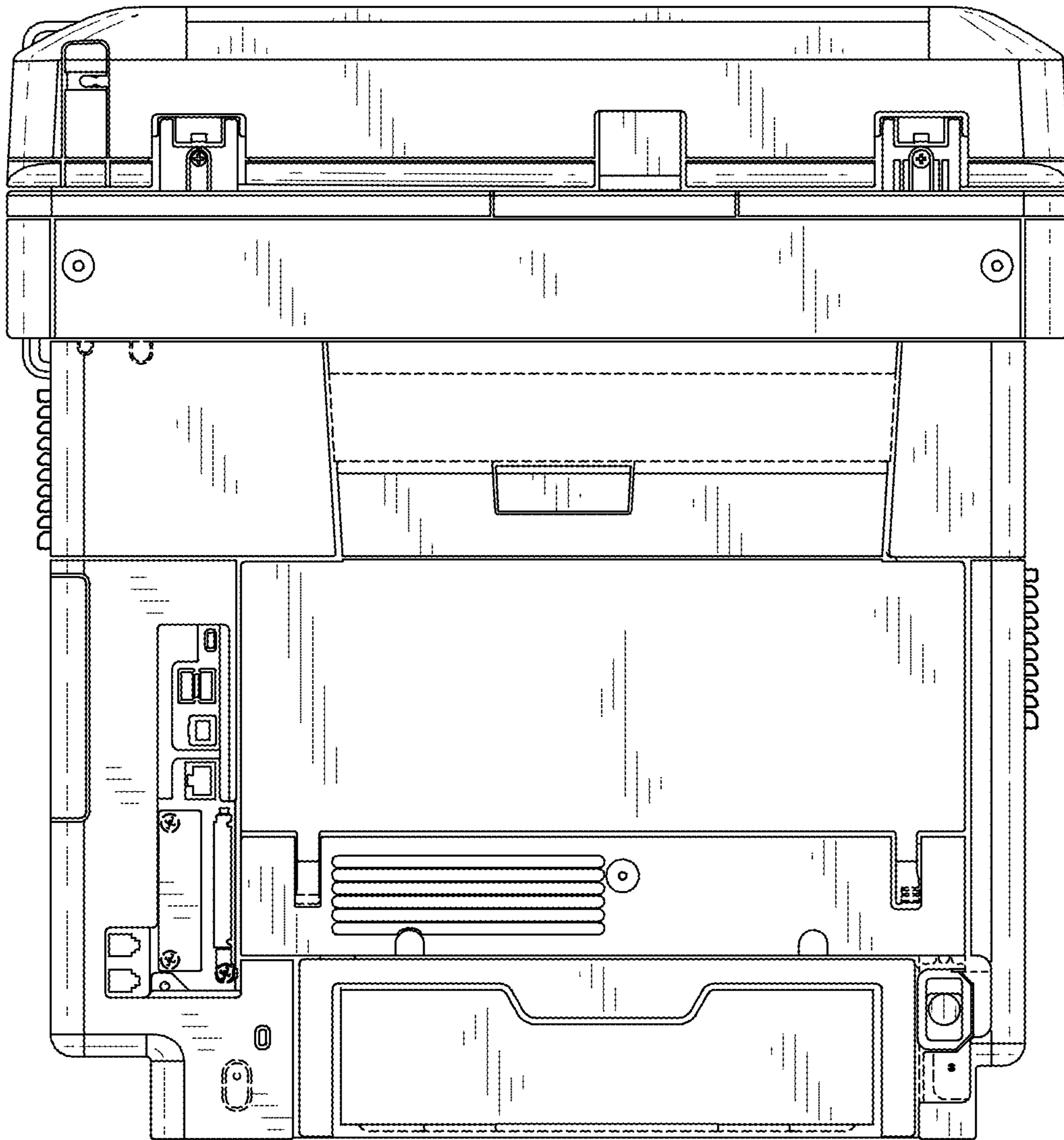


FIG. 4

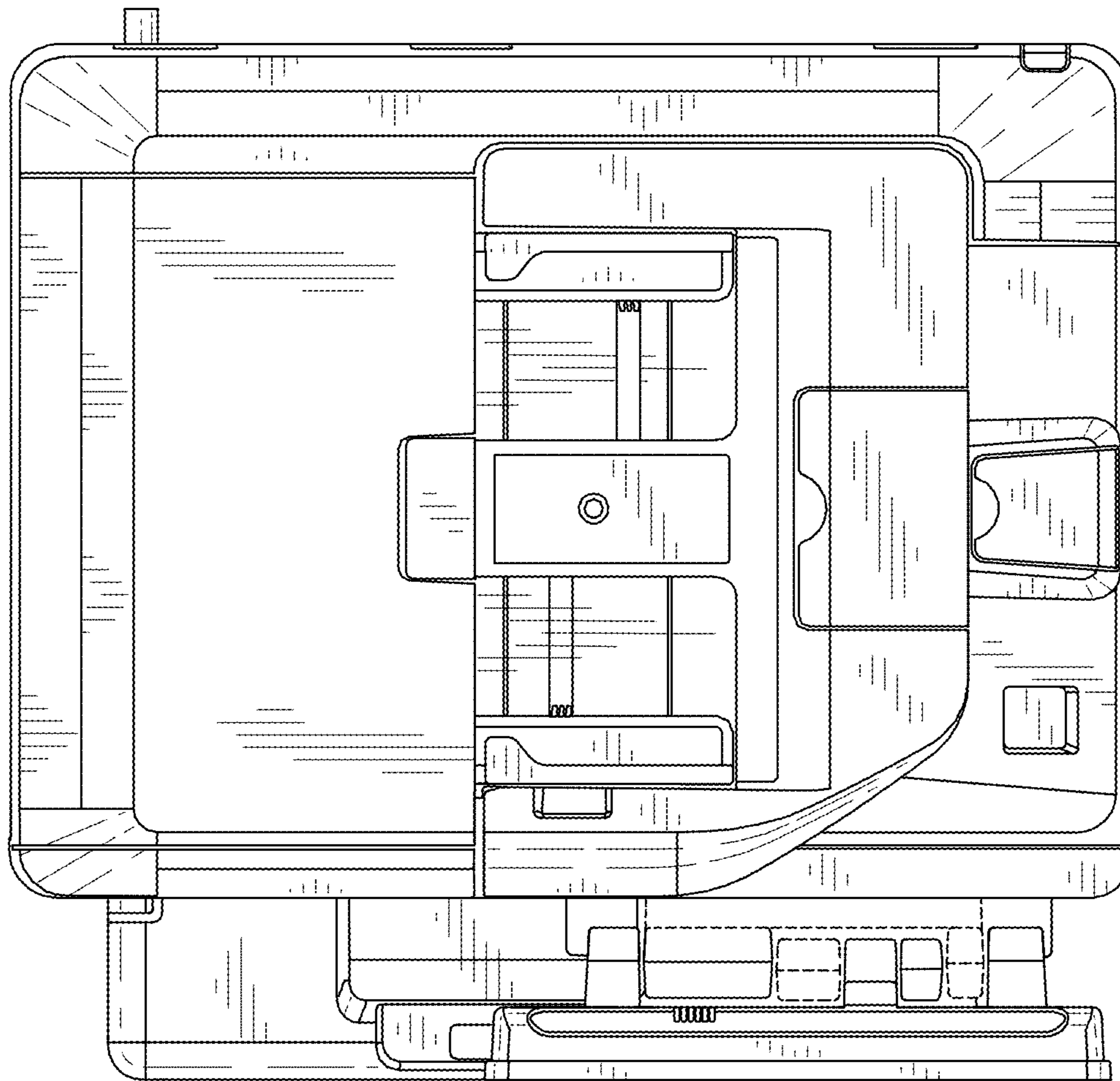


FIG. 5

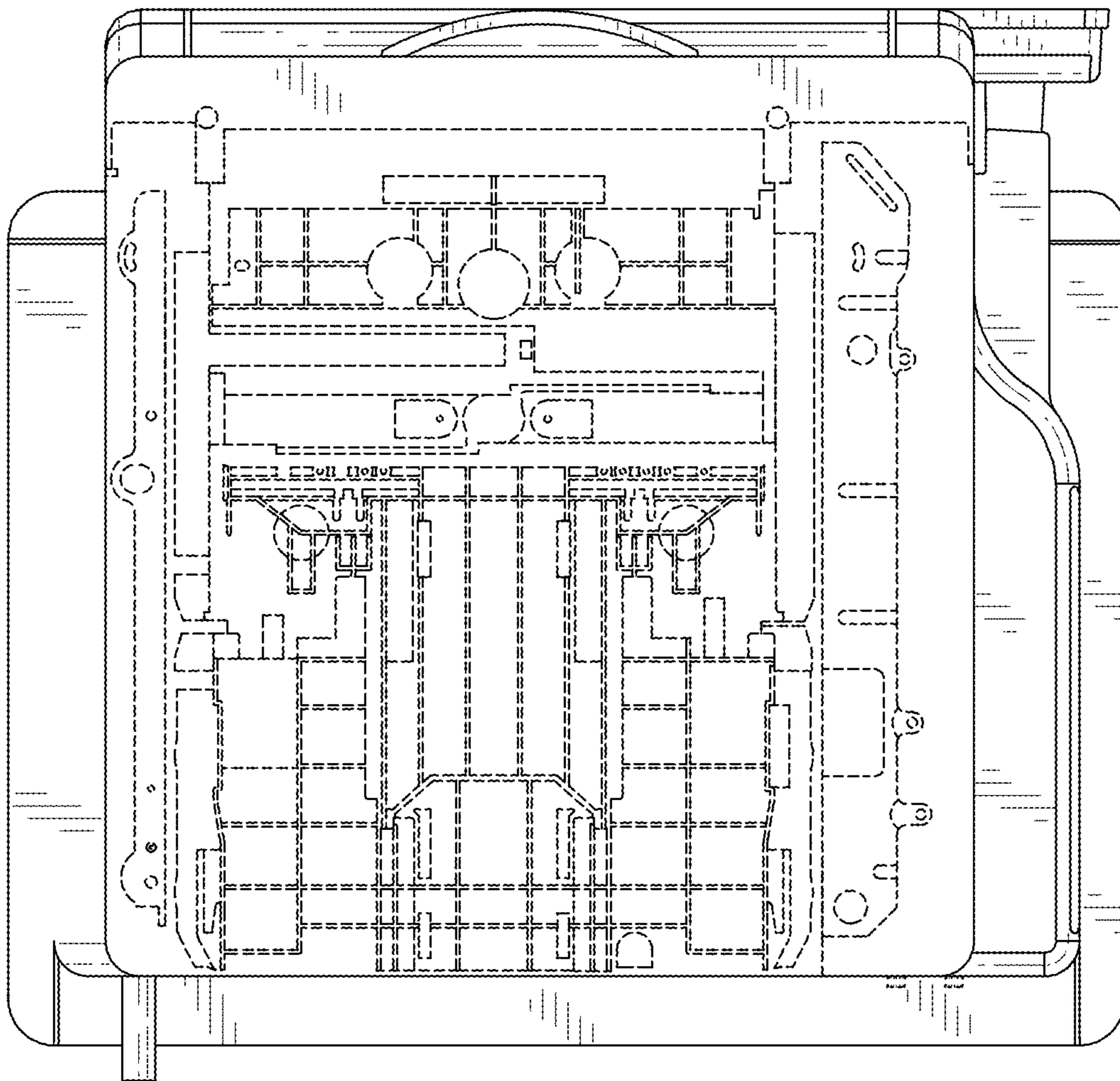


FIG. 6



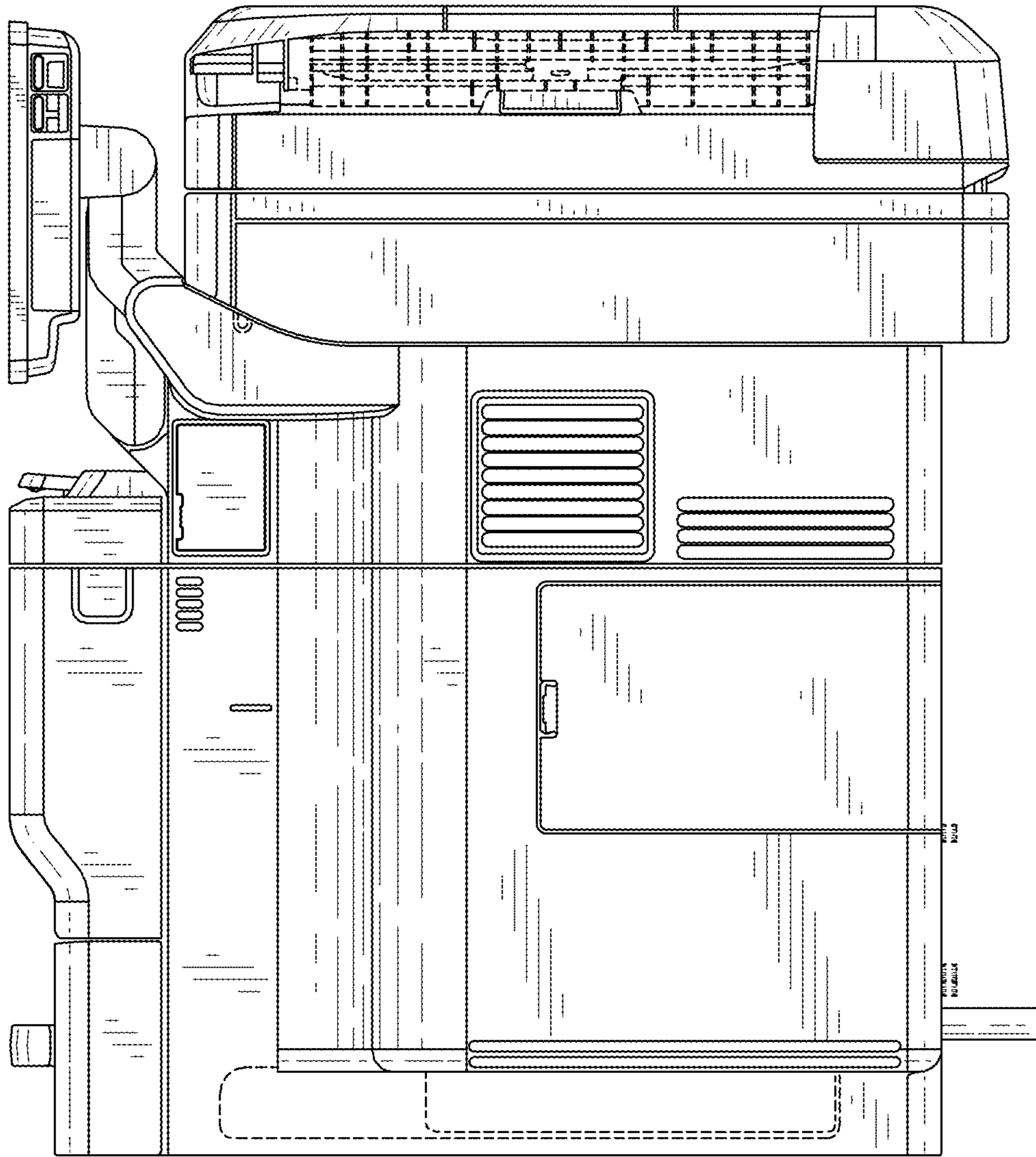


FIG. 7

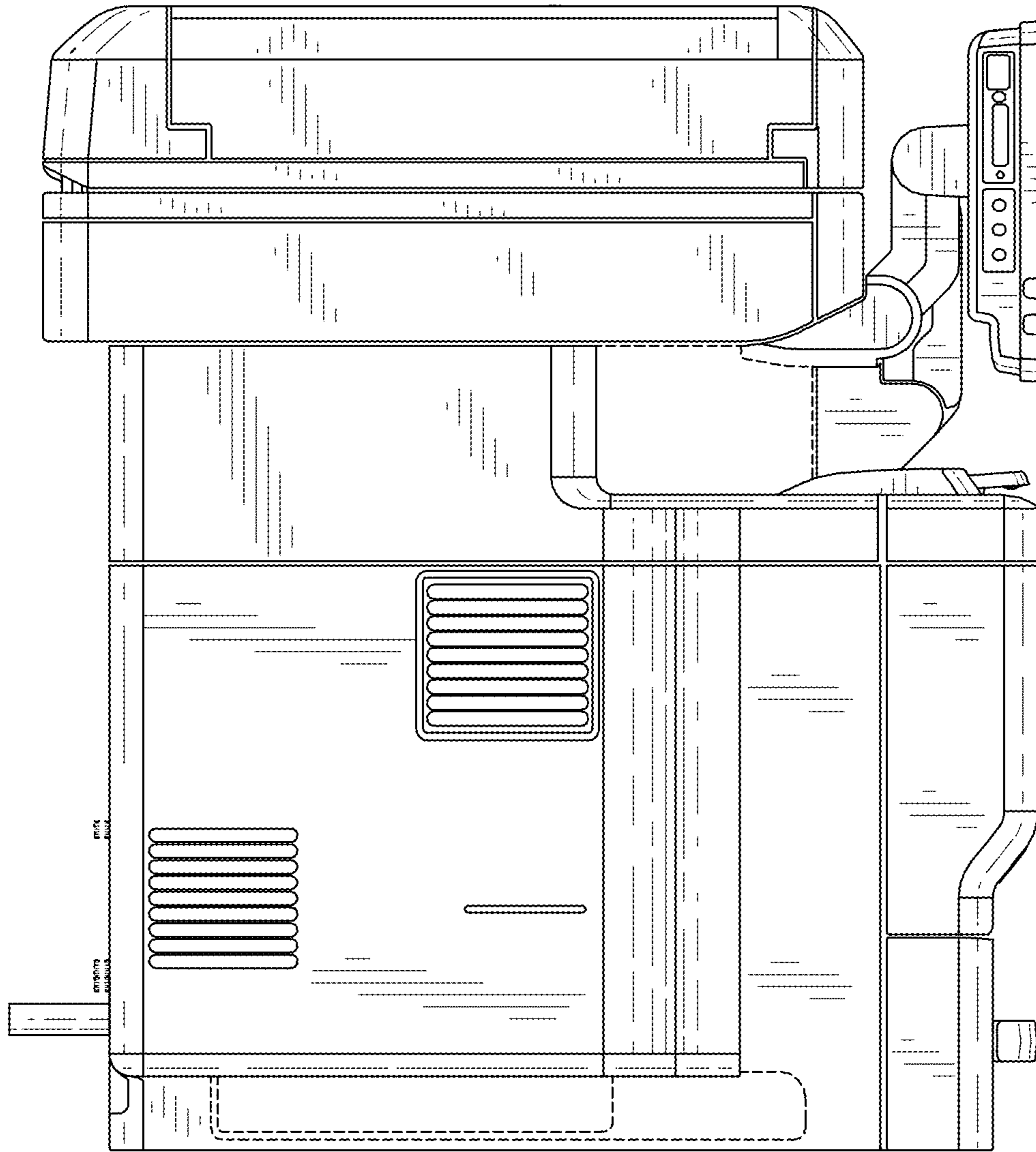


FIG. 8