



US00D917612S

(12) **United States Design Patent**  
**Kaluza**

(10) **Patent No.:** **US D917,612 S**  
(45) **Date of Patent:** **\*\* Apr. 27, 2021**

(54) **MACHINE FOR CUTTING PAPER**  
(71) Applicant: **Erwin Müller GmbH**, Lingen (DE)  
(72) Inventor: **Georg Kaluza**, Velbert (DE)  
(73) Assignee: **Erwin Müller GmbH**, Lingen (DE)  
(\*\*) Term: **15 Years**  
(21) Appl. No.: **29/699,228**  
(22) Filed: **Jul. 24, 2019**

5,524,515 A \* 6/1996 Boda ..... B23D 35/008  
83/455  
D379,193 S \* 5/1997 Cornell ..... D18/34.8  
D381,359 S \* 7/1997 Mori ..... D18/34.8  
5,802,942 A \* 9/1998 Cornell ..... B26D 1/045  
402/4  
5,819,618 A \* 10/1998 Rodriguez ..... B26D 1/185  
83/56  
D415,519 S \* 10/1999 Mori ..... D18/34.8  
D417,693 S \* 12/1999 Daley, Jr. .... D18/34.8  
D425,548 S \* 5/2000 Rellinger ..... D18/34.8  
D469,461 S \* 1/2003 Gstalder ..... D18/34.8  
D469,800 S \* 2/2003 Robillard ..... D18/34.8  
D477,017 S \* 7/2003 Vossler ..... D18/34.7

(Continued)

(30) **Foreign Application Priority Data**

Jan. 24, 2019 (EM) ..... 006083853-0004

(51) **LOC (13) Cl.** ..... **18-04**  
(52) **U.S. Cl.**  
USPC ..... **D18/34.8**

(58) **Field of Classification Search**  
USPC ..... D8/98, 499; D15/127, 129, 139, 140;  
D18/34.3, 34.8; D19/72, 100  
CPC ..... B26B 25/00; B26B 25/002; B26B 25/005;  
B26B 25/007; B26B 29/06; B26D 7/00;  
B26D 7/0006; B26D 7/27  
See application file for complete search history.

(56) **References Cited**

**U.S. PATENT DOCUMENTS**

3,233,493 A \* 2/1966 Suverkrop ..... G03D 15/04  
83/694  
D276,528 S \* 11/1984 Shaffer ..... D15/127  
D295,866 S \* 5/1988 Davis ..... D15/127  
4,967,628 A \* 11/1990 Judd ..... B26D 1/045  
83/455  
D319,840 S \* 9/1991 Hatsumi ..... D18/34.8  
D322,974 S \* 1/1992 Mori ..... D18/34.8  
D348,271 S \* 6/1994 Mori ..... D15/129  
5,322,001 A \* 6/1994 Boda ..... B23D 35/008  
83/455  
D353,150 S \* 12/1994 Mori ..... D18/34.8

**OTHER PUBLICATIONS**

Dahle, 550, (site visited Sep. 9, 2020), Dahle.com, URL:<https://www.dahle.com/trimmer/item/550> (Year: 2020).\*

(Continued)

*Primary Examiner* — Sheryl Lane  
*Assistant Examiner* — Mark T. Philipps  
(74) *Attorney, Agent, or Firm* — Bachman & LaPointe, PC

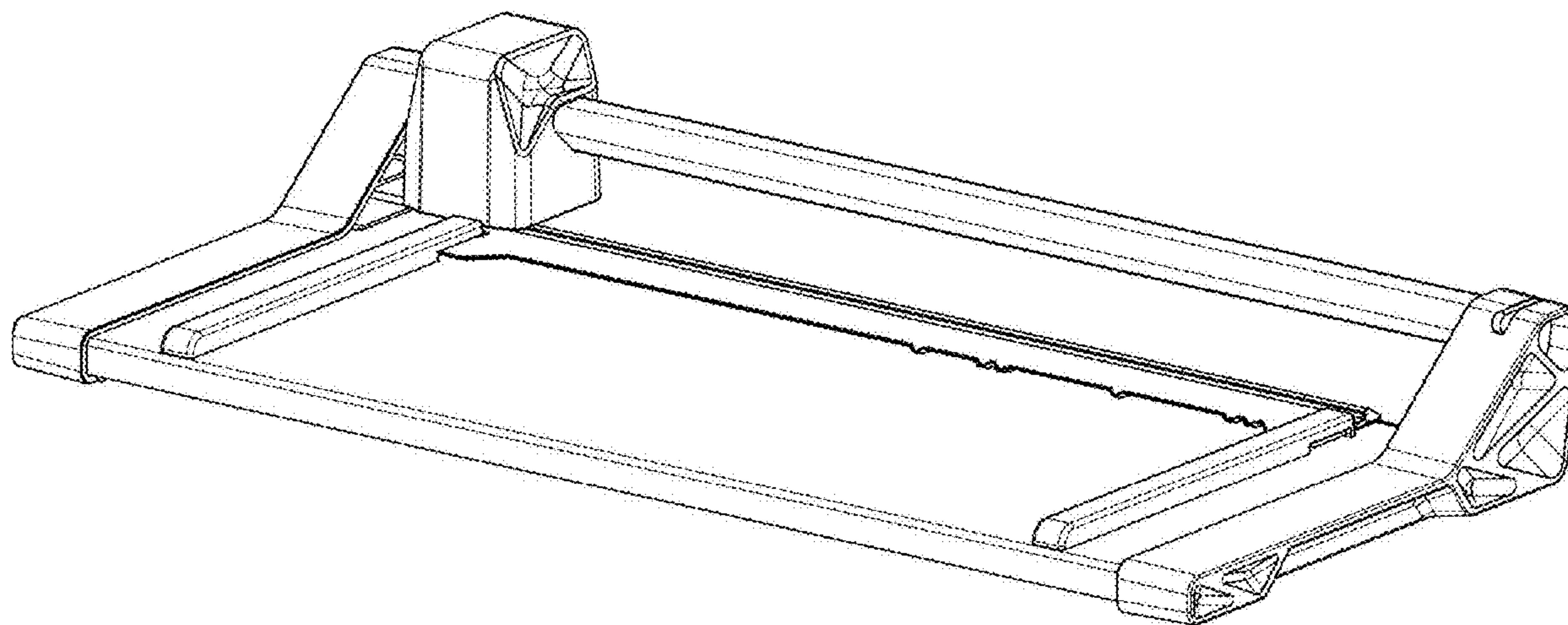
(57) **CLAIM**

The ornamental design for a machine for cutting paper, as described and shown.

**DESCRIPTION**

FIG. 1 is a perspective view of a machine for cutting paper showing our new design;  
FIG. 2 is a left side elevational view thereof;  
FIG. 3 is a rear perspective view thereof;  
FIG. 4 is a rear elevational view thereof;  
FIG. 5 is a right side elevational view thereof;  
FIG. 6 is a front elevational view thereof; and,  
FIG. 7 is a top plan view thereof.

**1 Claim, 7 Drawing Sheets**



(56)

References Cited

U.S. PATENT DOCUMENTS

D501,500 S \* 2/2005 Schultz ..... B26D 7/015  
 D18/34.8  
 D501,501 S \* 2/2005 Schultz ..... D18/34.8  
 D503,191 S \* 3/2005 Mori ..... D18/34.8  
 D528,590 S \* 9/2006 Bathard ..... D18/34.8  
 D529,945 S \* 10/2006 Gunter ..... D18/34.9  
 D531,204 S \* 10/2006 Nakamura ..... D18/34.8  
 D559,304 S \* 1/2008 Lam ..... D18/34.8  
 D559,305 S \* 1/2008 Lam ..... D18/34.8  
 D581,455 S \* 11/2008 Davies ..... D18/34.8  
 D593,598 S \* 6/2009 Phillips ..... D18/34.8  
 D625,744 S \* 10/2010 Wang ..... D15/127  
 D675,251 S \* 1/2013 Roberts ..... D18/34.3  
 D692,035 S \* 10/2013 Pedersen ..... D15/127  
 D734,813 S \* 7/2015 Hales ..... D18/34.3  
 D756,186 S \* 5/2016 Sarmiento ..... D8/51  
 D844,701 S \* 4/2019 Li ..... D18/34.8  
 D874,559 S \* 2/2020 Umezawa ..... D18/34.3  
 2004/0098867 A1 \* 5/2004 Tseng ..... B26B 25/007  
 30/290  
 2005/0039589 A1 \* 2/2005 Mori ..... B26D 7/025  
 83/614  
 2005/0223863 A1 \* 10/2005 Volfson ..... B26D 5/02  
 83/485  
 2006/0090621 A1 \* 5/2006 Shimizu ..... B26D 7/025  
 83/455

2006/0156885 A1 \* 7/2006 Wu ..... B26D 5/02  
 83/485  
 2006/0156886 A1 \* 7/2006 Suzuki ..... B26D 7/025  
 83/485  
 2006/0260455 A1 \* 11/2006 Yeghiayan ..... B26D 1/185  
 83/455  
 2007/0157783 A1 \* 7/2007 Chiang ..... B26D 1/185  
 83/485  
 2007/0157785 A1 \* 7/2007 Chiang ..... B26D 9/00  
 83/607  
 2009/0000442 A1 \* 1/2009 Peterson ..... B26D 7/015  
 83/56  
 2010/0101098 A1 \* 4/2010 Hsu ..... B26B 25/007  
 30/319  
 2010/0192744 A1 \* 8/2010 Xu ..... B26B 29/06  
 83/481  
 2012/0011977 A1 \* 1/2012 Singer ..... B26D 7/2621  
 83/471.2  
 2019/0240853 A1 \* 8/2019 Mortensen ..... B26B 21/185  
 2019/0262918 A1 \* 8/2019 DeSantis ..... B26B 29/06

OTHER PUBLICATIONS

Rotatrim, Professional M Series 15" Medium-Duty Rotary Trimmer M15T, (site visited Sep. 9, 2020), EngineerSupply.com, URL:<<https://www.engineersupply.com/RotaTrim-RCM15-Pro-M-Series-15-15-Inch-Rotary-Trimmer-60110.aspx>> (Year: 2020).\*

\* cited by examiner

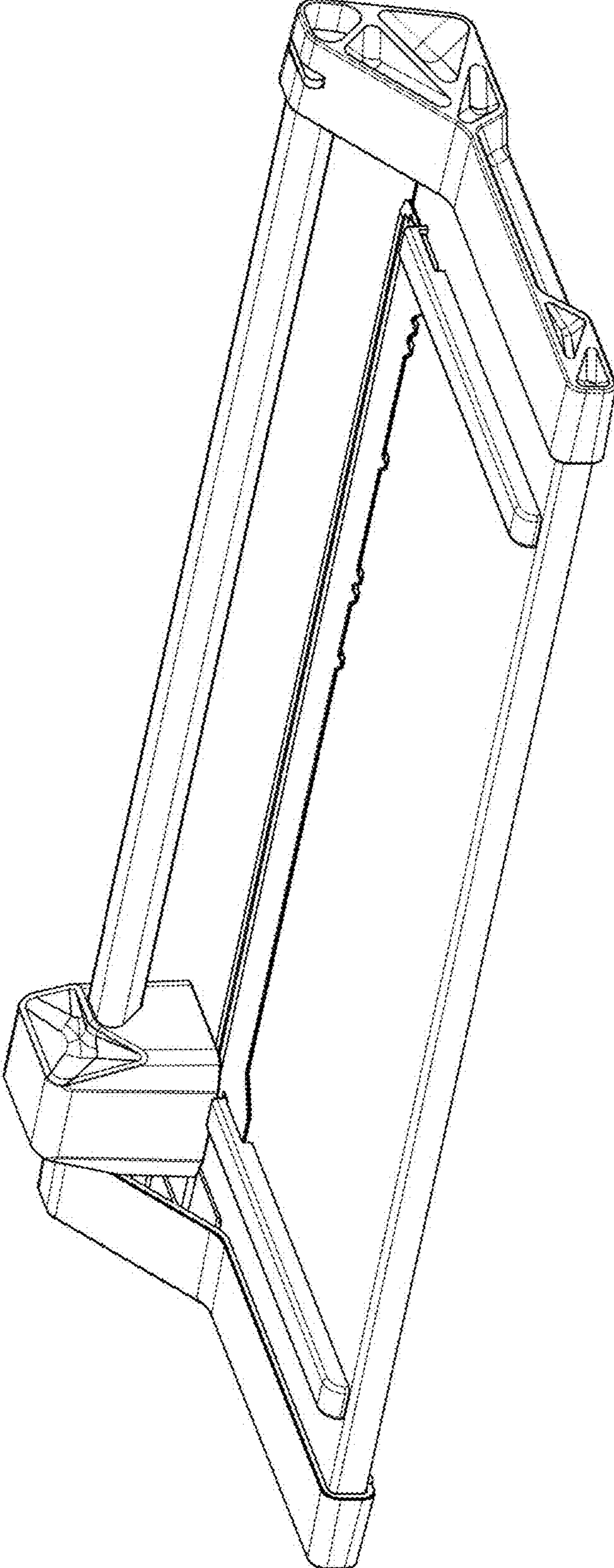


FIG. 1



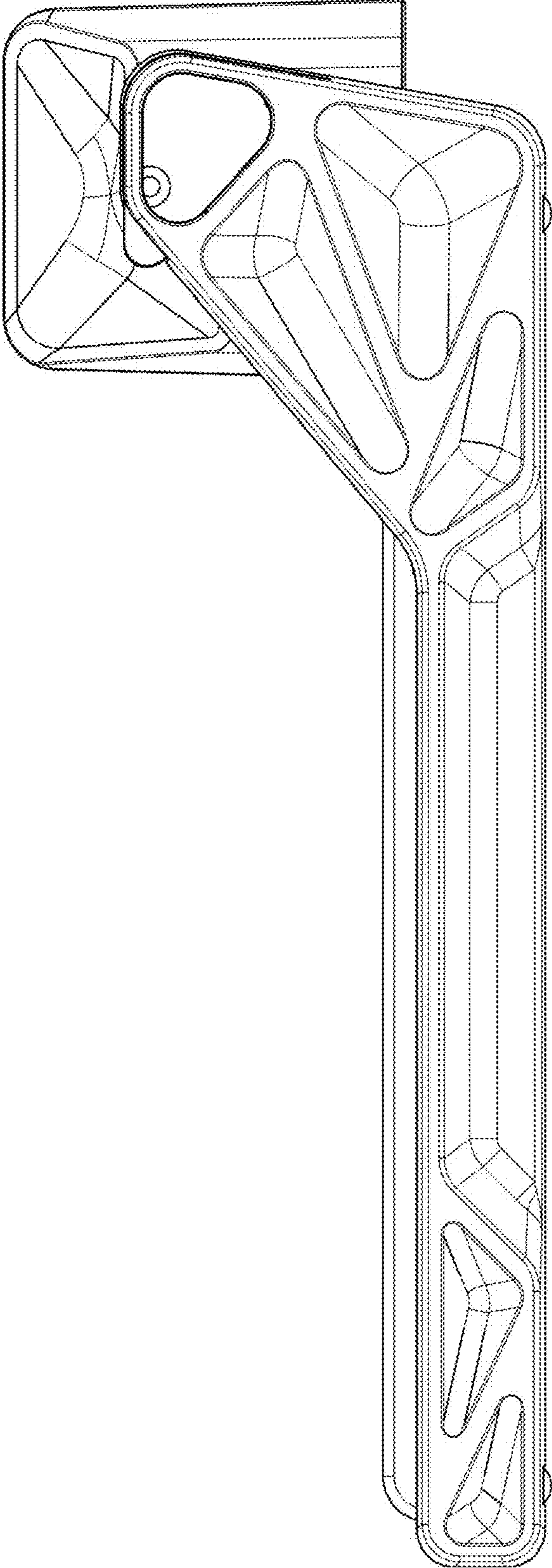


FIG. 2

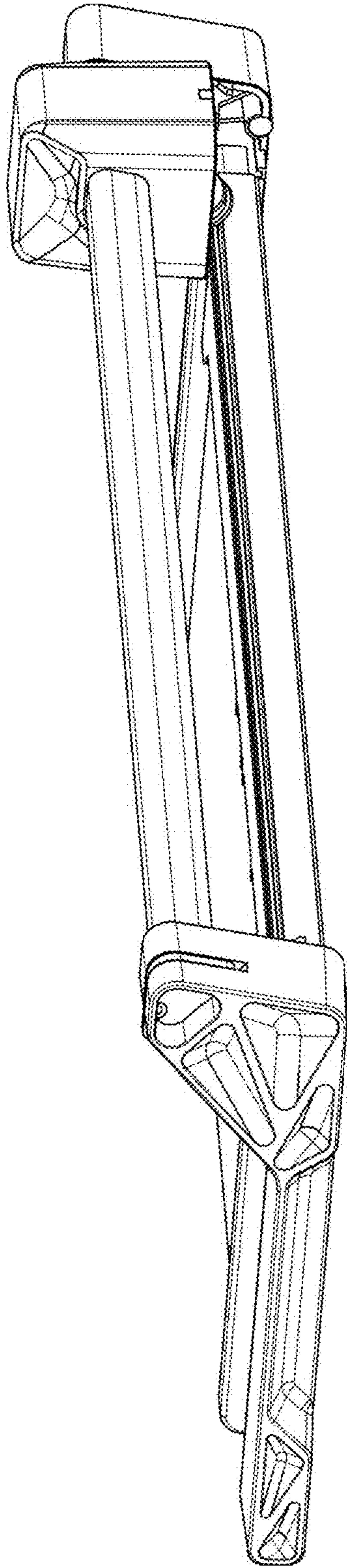


FIG. 3

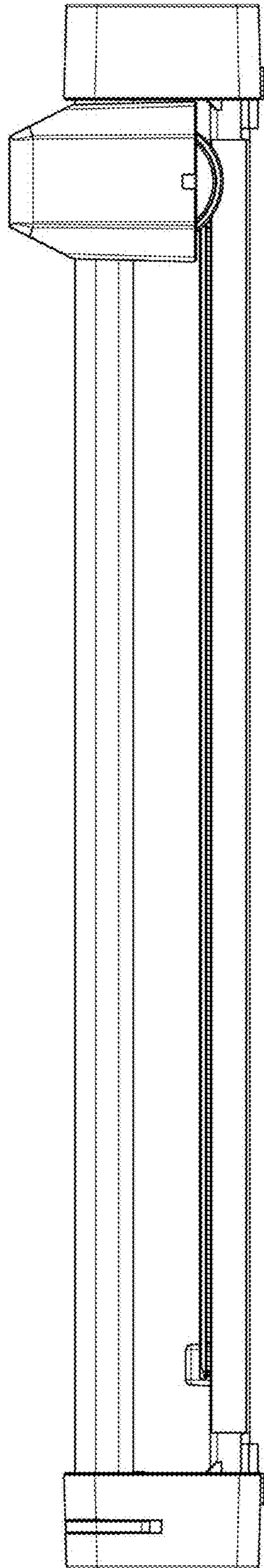


FIG. 4

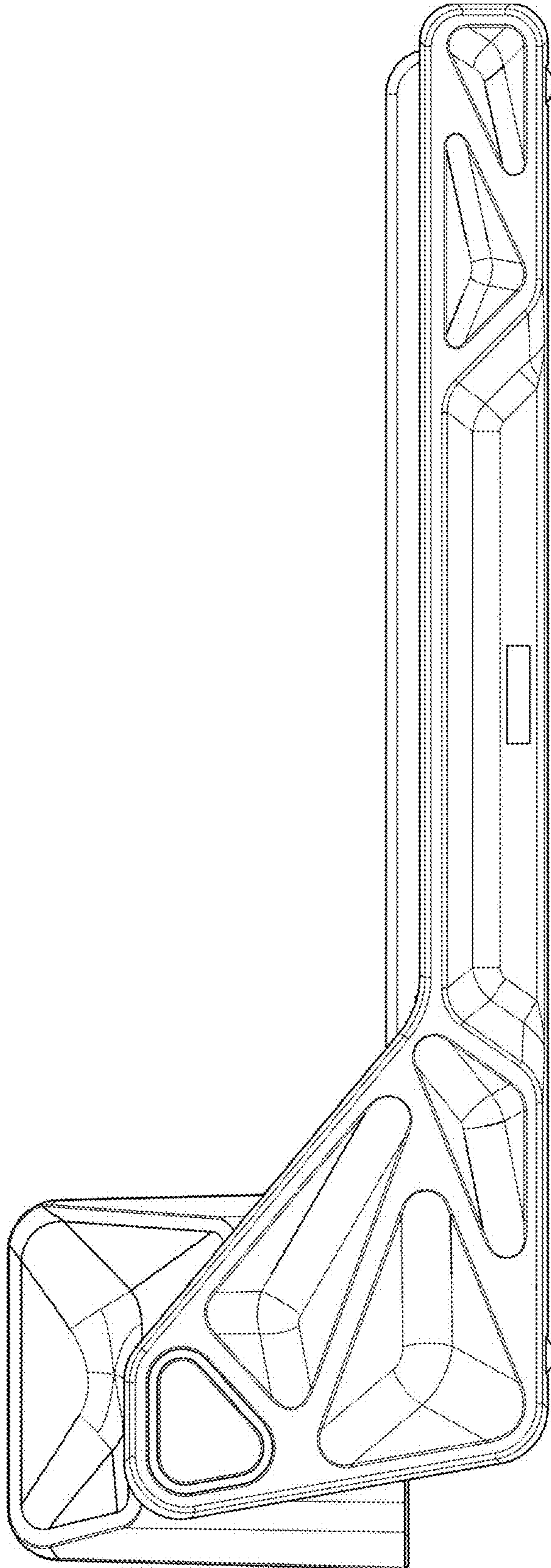


FIG. 5



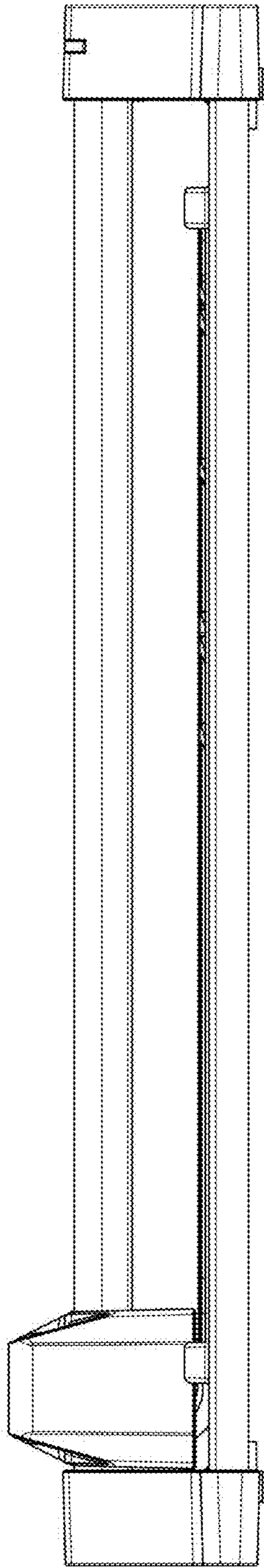


FIG. 6



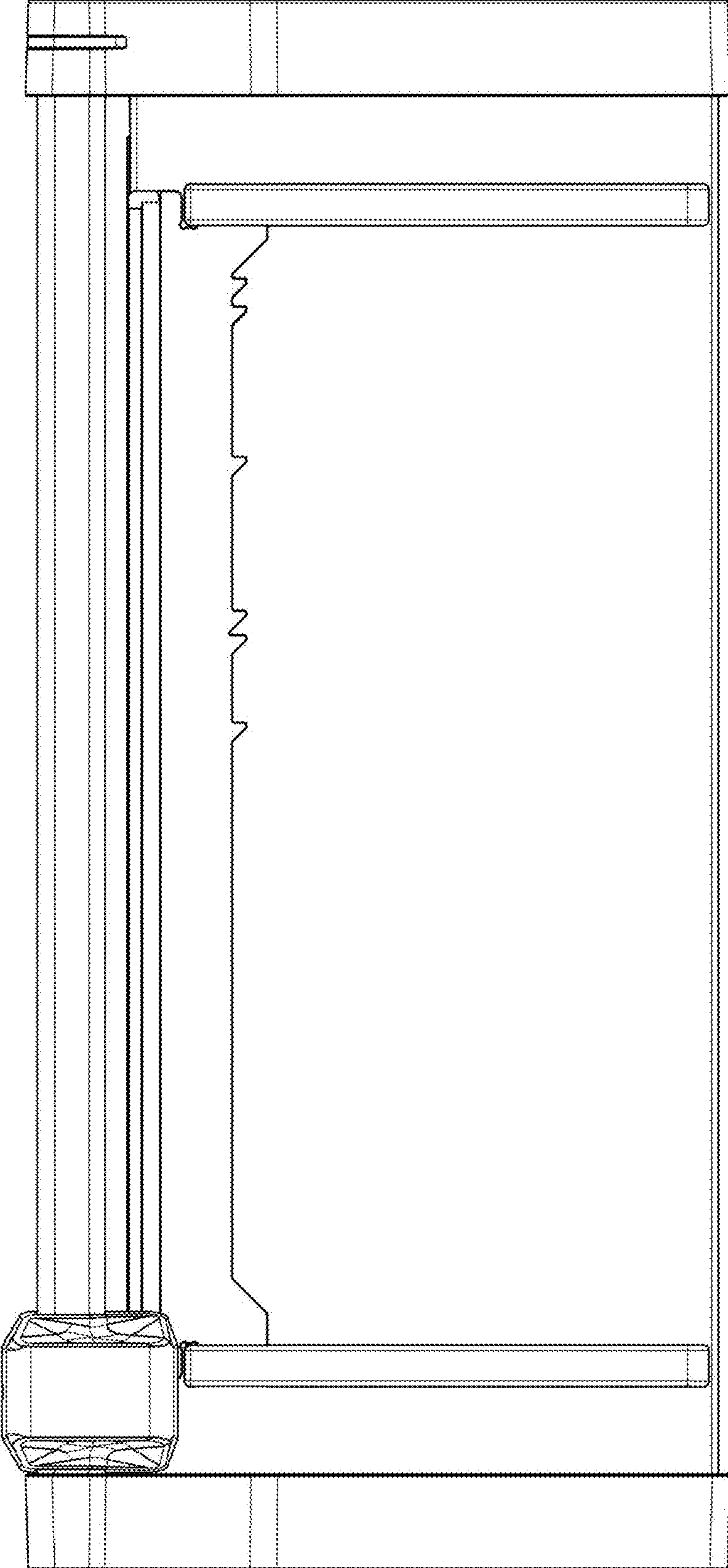


FIG. 7