



US00D917608S

(12) **United States Design Patent** (10) **Patent No.:** **US D917,608 S**
Bartlett (45) **Date of Patent:** **** Apr. 27, 2021**

- (54) **VISOR DEVICE ATTACHMENT**
- (71) Applicant: **V.P. GABRIEL, INC.**, Tucson, AZ (US)
- (72) Inventor: **Paul Bartlett**, Tucson, AZ (US)
- (73) Assignee: **V.P. GABRIEL, INC.**, Tucson, AZ (US)
- (**) Term: **15 Years**
- (21) Appl. No.: **29/695,321**
- (22) Filed: **Jun. 18, 2019**
- (51) **LOC (13) Cl.** **16-06**
- (52) **U.S. Cl.**
USPC **D16/340**
- (58) **Field of Classification Search**
USPC 351/43, 44-47, 49, 59, 63, 69, 104, 123, 351/126, 131, 132, 135, 145; D16/101, D16/300-342; D29/108-110; D14/372
CPC G02C 5/22; G02C 5/2218; G02C 5/2236; G02C 5/2245; G02C 5/2254; G02C 5/2272; G02C 5/14; G02C 5/143; G02C 5/146; G02C 5/18; G02C 5/20; G02C 5/12; G02C 5/124; G02C 5/126; G02C 11/02; G02C 11/06; G02C 7/10; G02C 9/04; A61F 9/00
See application file for complete search history.

D352,046 S *	11/1994	Kataoka	D16/130
D359,060 S *	6/1995	Sherlock	D16/133
6,250,769 B1	6/2001	Kirk	362/106
6,616,294 B1	9/2003	Henry	362/106
6,659,618 B2	12/2003	Waters	362/106
6,733,150 B1	5/2004	Hanley	362/106

(Continued)

FOREIGN PATENT DOCUMENTS

CA	2355344	3/2001	A42B 1/24
EP	1644662	11/2007	F21V 21/08
KR	101024191	3/2011	F21V 33/00

OTHER PUBLICATIONS

Servore Auto Shade Welding Goggles, earliest review date: Aug. 1, 2017, [online],[site visited Dec. 1, 2020], Available from the Internet, <URL:https://www.amazon.com/Servore-Darkening-Welding-Goggle-Arc-513/dp/B00KYR7E6C> (Year: 2017).*

(Continued)

Primary Examiner — Sanjeev Paul
(74) *Attorney, Agent, or Firm* — Hayes Soloway P.C.

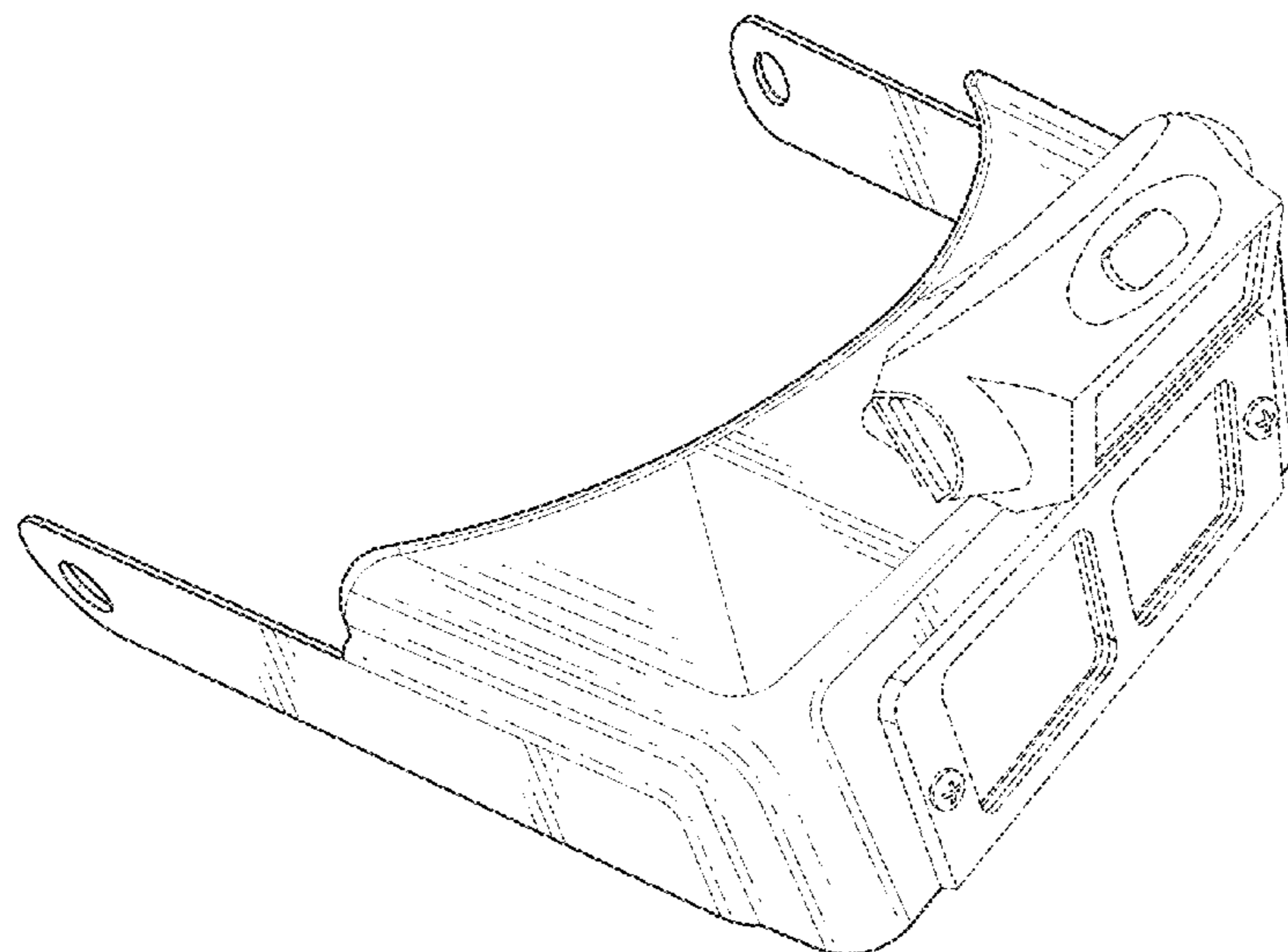
(57) **CLAIM**

I claim the ornamental design for a visor device attachment, as shown and described.

DESCRIPTION

FIG. 1 is an isometric view of a visor device attachment showing my new design;
FIG. 2 is a front view thereof;
FIG. 3 is a rear view thereof;
FIG. 4 is a left side view thereof;
FIG. 5 is a right side view thereof;
FIG. 6 is a top view thereof; and,
FIG. 7 is a bottom view thereof.
The broken lines of FIGS. 1-7 are included for the purpose of illustrating portions of the device that form no part of the claimed design.

1 Claim, 7 Drawing Sheets



- (56) **References Cited**
U.S. PATENT DOCUMENTS
D137,337 S * 2/1944 Gainsborg D29/103
3,414,347 A * 12/1968 Stoltze G02B 25/004
359/480
3,523,375 A * 8/1970 Frith G09B 9/165
434/36
3,572,931 A * 3/1971 Adler G01J 3/46
356/46
3,597,041 A * 8/1971 Frantz G02B 23/18
359/410

(56)

References Cited

U.S. PATENT DOCUMENTS

7,566,139	B1	7/2009	Dority	362/105
D650,003	S *	12/2011	Carlow	D16/325
8,388,164	B2	3/2013	Waters	362/106
8,474,995	B2	7/2013	Lau	362/106
8,562,170	B2	10/2013	Sohn	362/191
D711,949	S *	8/2014	Koenck	D16/130
8,813,268	B1	8/2014	Fitzgerald et al.	A42B 1/242
D730,974	S *	6/2015	Lytton	D16/300
D765,757	S *	9/2016	Katopis	D16/309
D829,797	S *	10/2018	Huang	D16/135
D857,075	S *	8/2019	Xu	D16/133
D901,016	S *	11/2020	Park	D24/172
2020/0133011	A1 *	4/2020	Kamakura	G02C 5/124

OTHER PUBLICATIONS

Carson Optical Pro Series MagniVisor Deluxe Head-Worn LED Lighted Magnifier with 4 Different Lenses (1.5X, 2X, 2.5X, 3X) (CP-60), product description, <https://www.amazon.com/Optical-MagniVisor-Head-Worn-Magnifier-Different/dp/B01B64353M>, downloaded Jun. 28, 2019 (10 pgs).

Head Magnifier Jewelry Visor Glasses LED Lighted Illuminated Magnifying Headband, product description, <https://www.ebay.com/itm/HEAD-MAGNIFIER-Jewelry-Visor-Glasses-LED-Lighted-Illuminated-Magnifying-Headband-/163464226015>, downloaded Jun. 28 2019 (4 pgs).

Headband Magnifier, product description, <https://www.garrettwade.com/headband-magnifier.html>, downloaded Jun. 28, 2019 (3 pgs).

Light-Tech Model 580 Magnifying Headlight, product description, <https://www.hospitalnetwork.com/doc/light-tech-model-580-magnifying-headlight-0001>, downloaded Jun. 28, 2019 (1 pg).

Micro-Tools, Headband Magnifier Light ELP-568-00, product description, <https://www.micro-tools.com/products/elp-568-00>, downloaded Jun. 28, 2019 (3 pgs).

Optivisor Light or Visorlight by Donegan, product descriptions, <https://www.loupe-magnifier.com/optivisor-light.htm>, downloaded Jun. 28, 2019 (4 pgs).

Quasar LS Lighting System, product description, https://www.loupe-magnifier.com/quasar_Is_lighting_system.htm, downloaded Jun. 28, 2019 (3 pgs).

Streamlight 61702 Bandit—includes headstrap, hat clip and USB cord, Black—180 Lumens, product description, https://www.amazon.com/Streamlight-61702-Bandit-headstrap-Lumens/dp/B06W2HTGIT/ref=sr_1_1_sspa?gclid=EALalQobChMlq5jzhlCN4wIVEsZk, downloaded Jun. 28, 2019 (9 pgs).

* cited by examiner

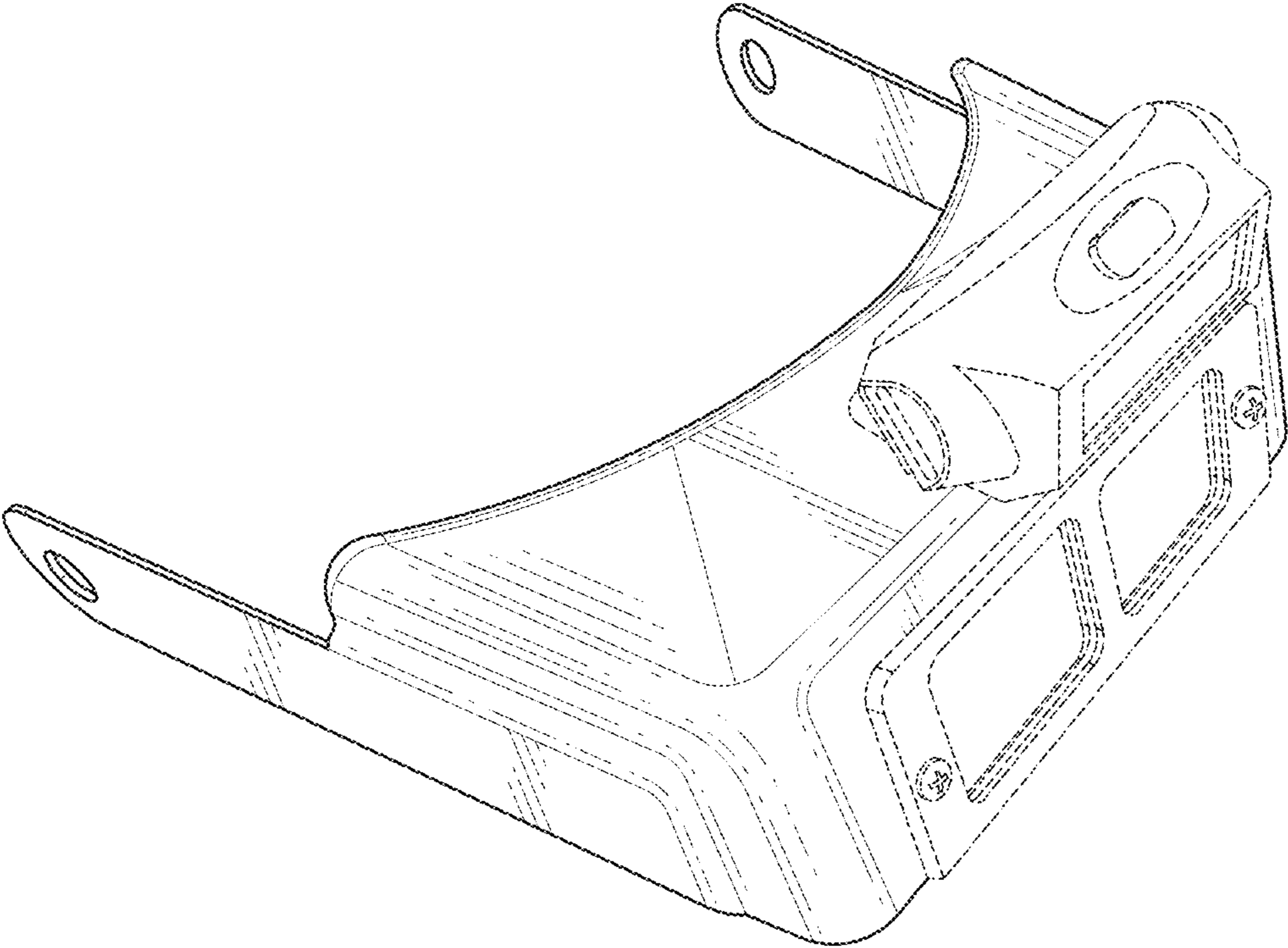


FIG. 1

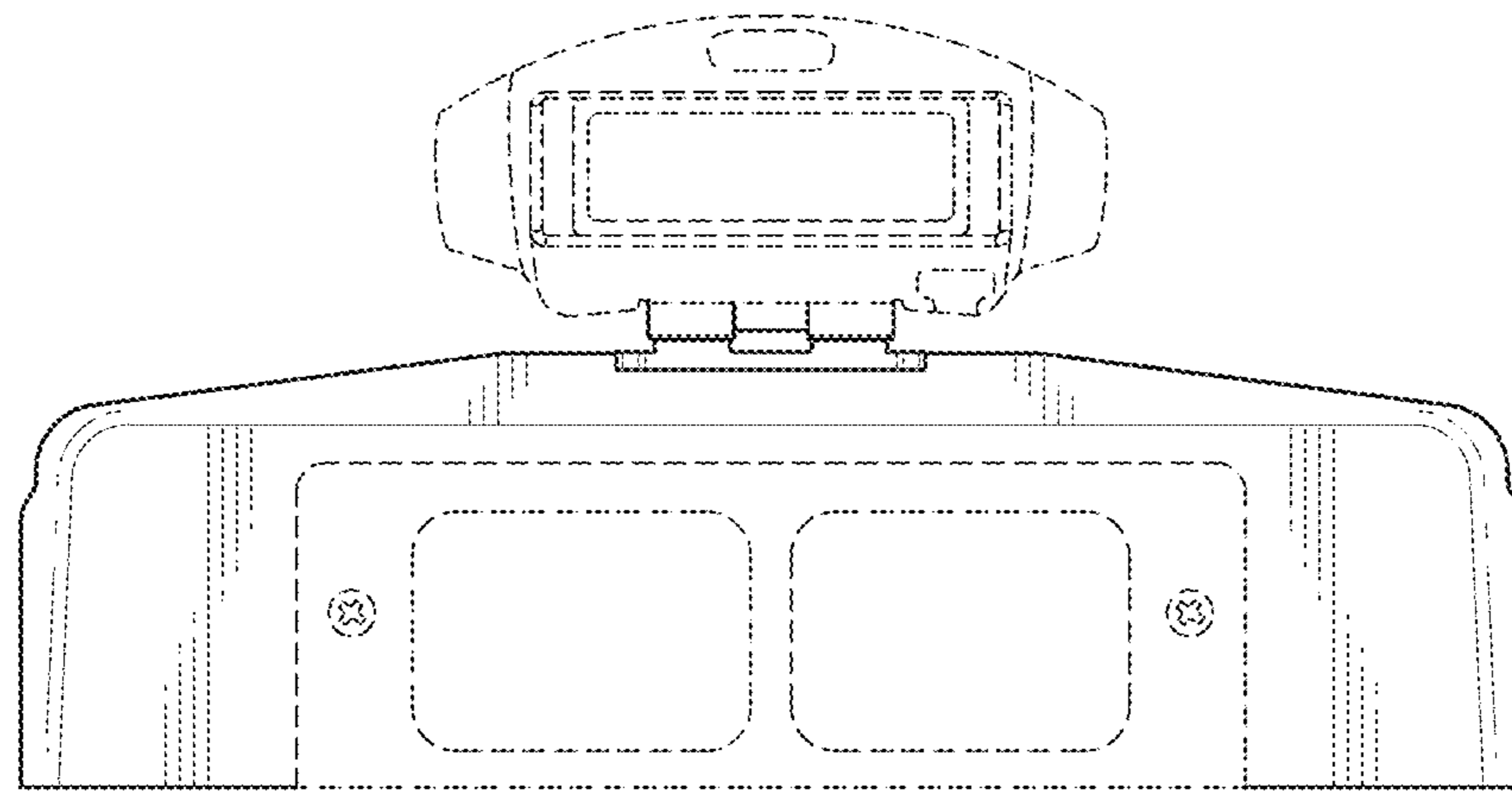


FIG. 2

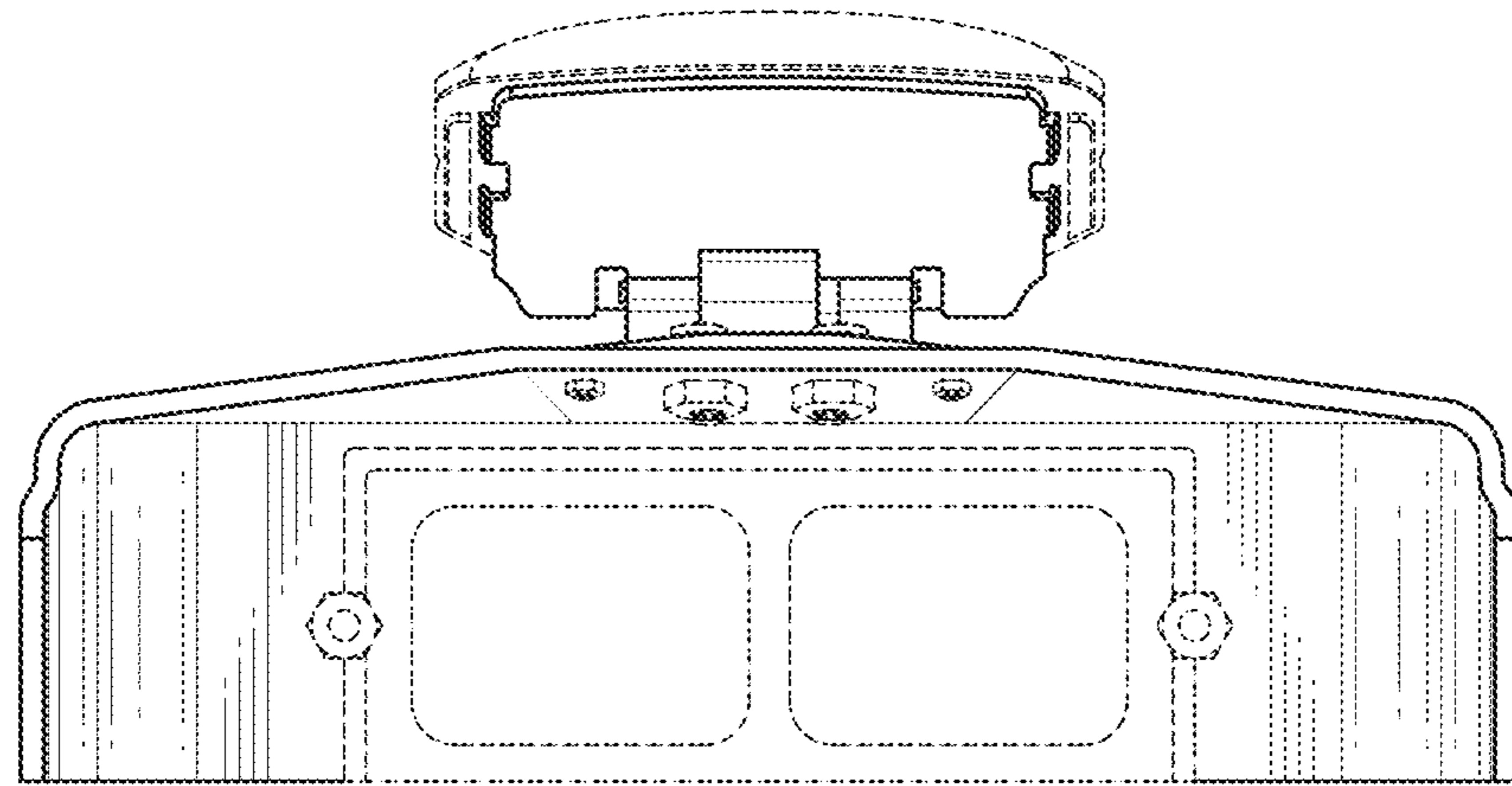


FIG. 3

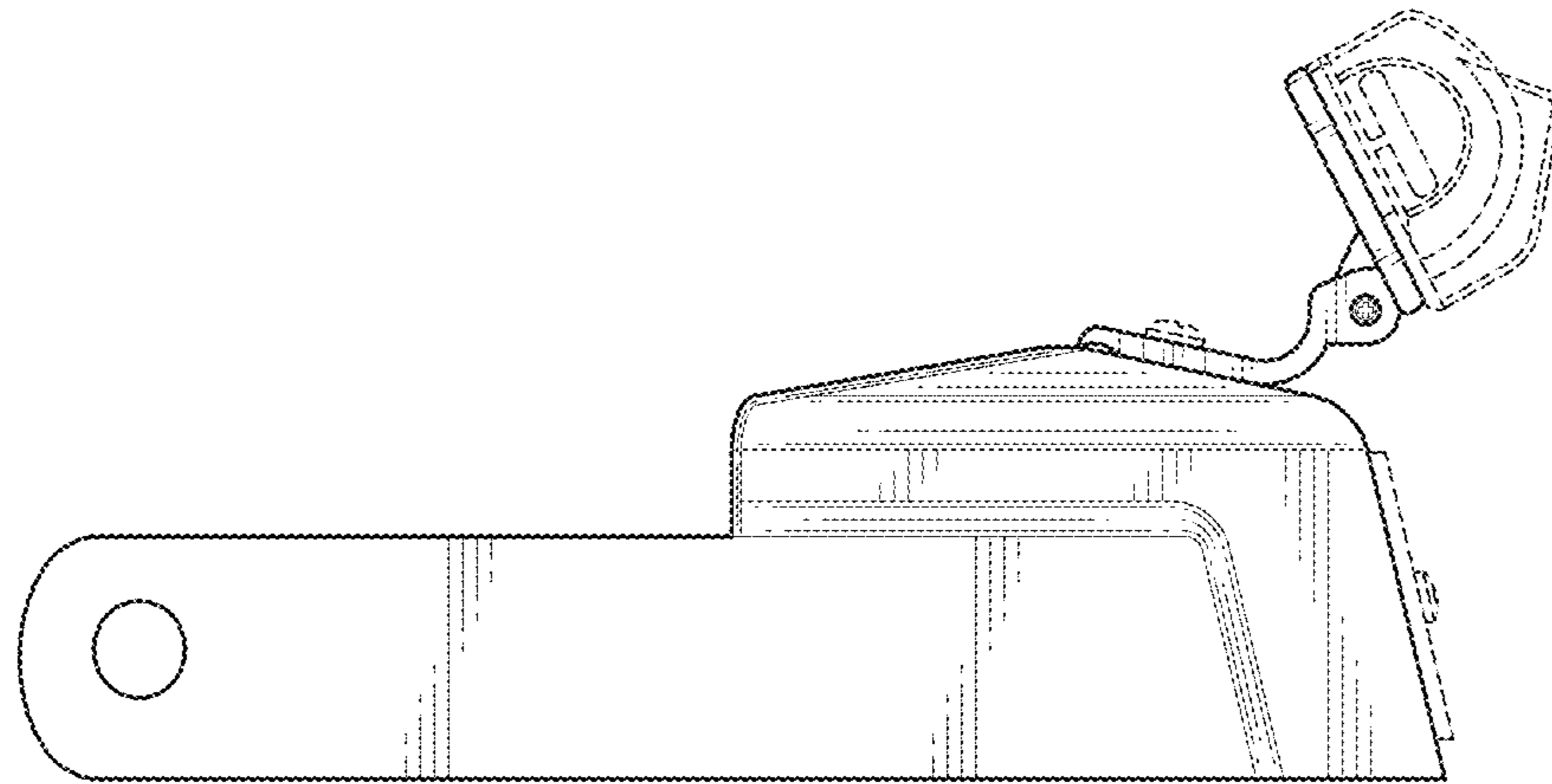


FIG. 4

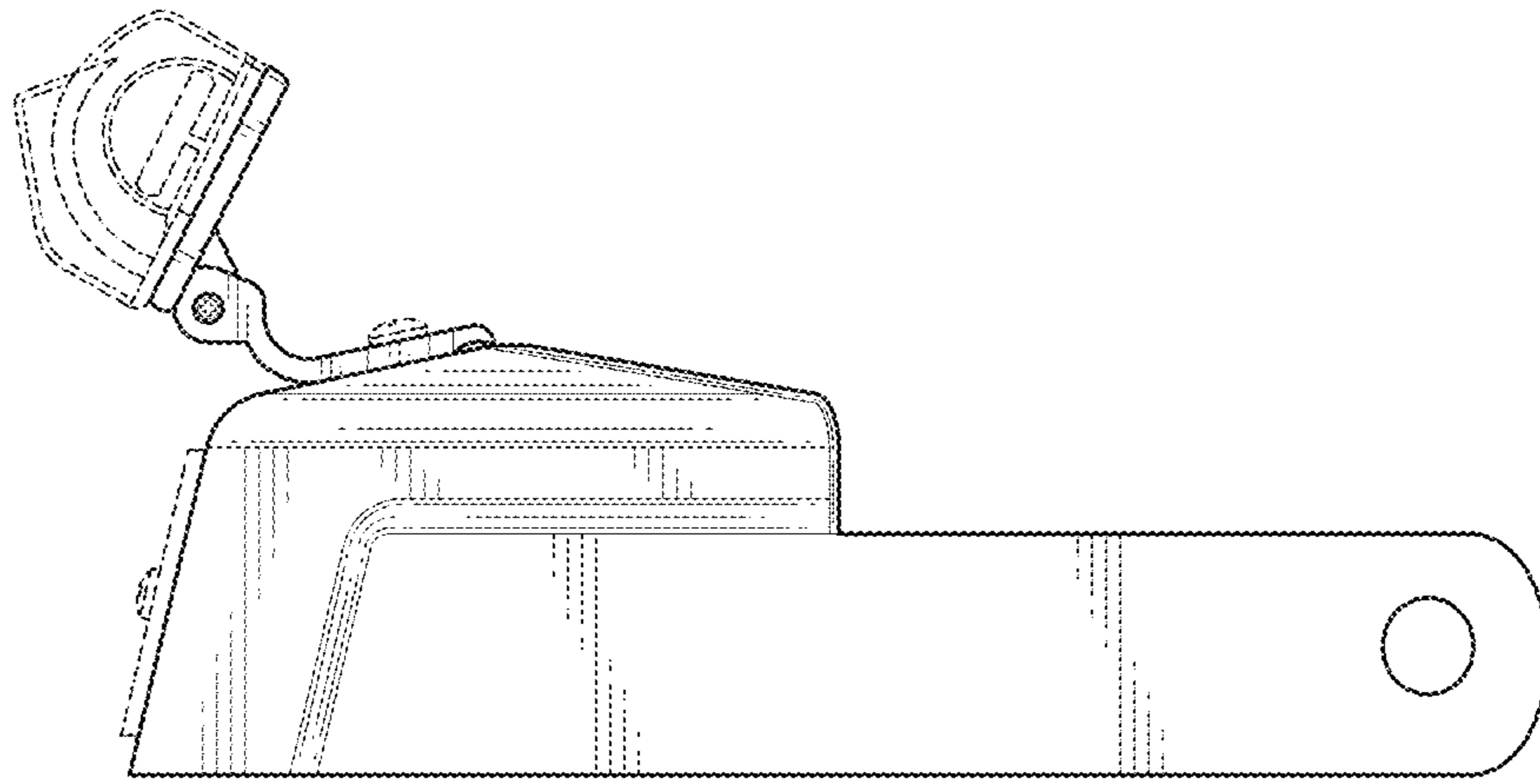


FIG. 5

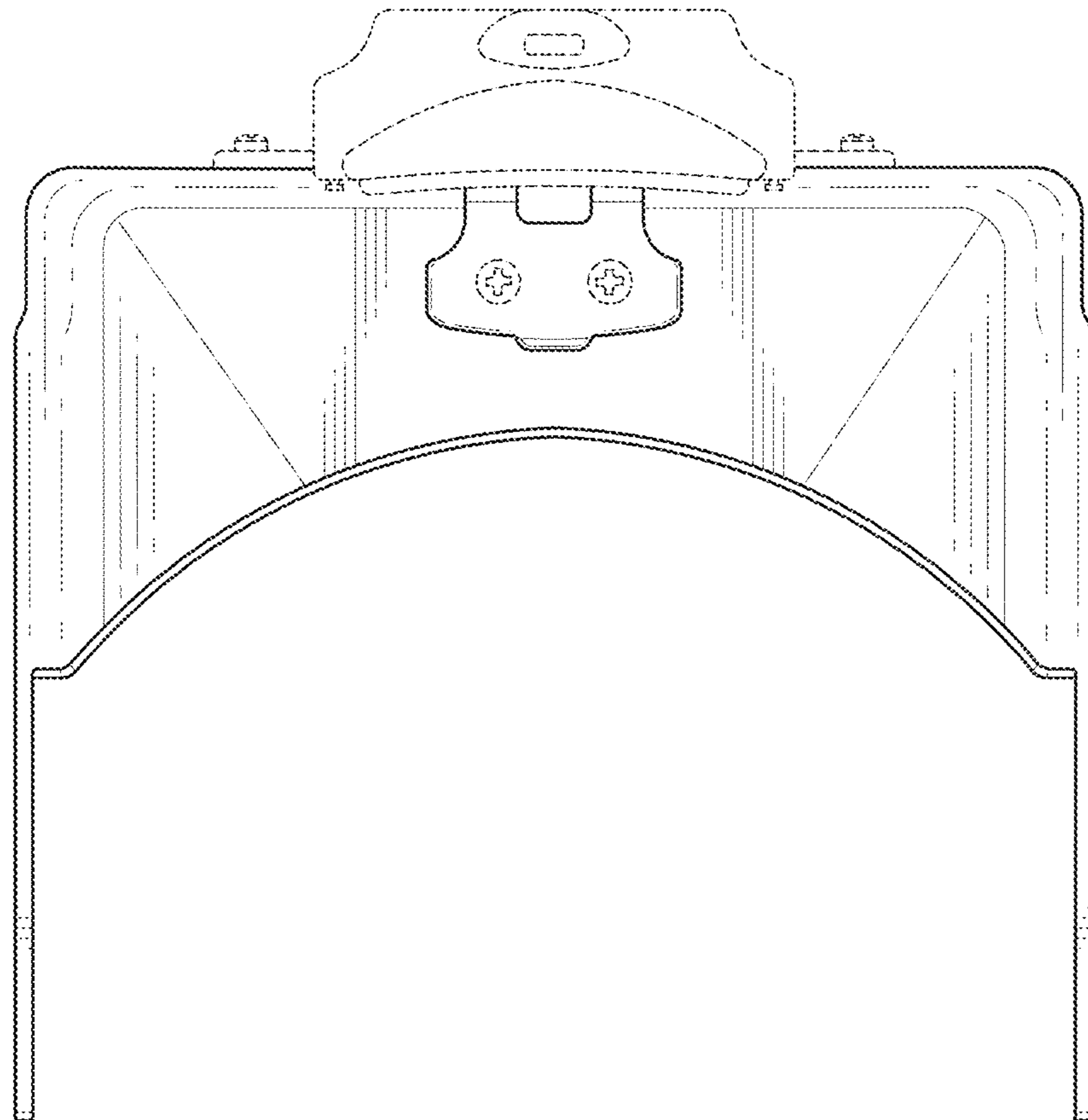


FIG. 6

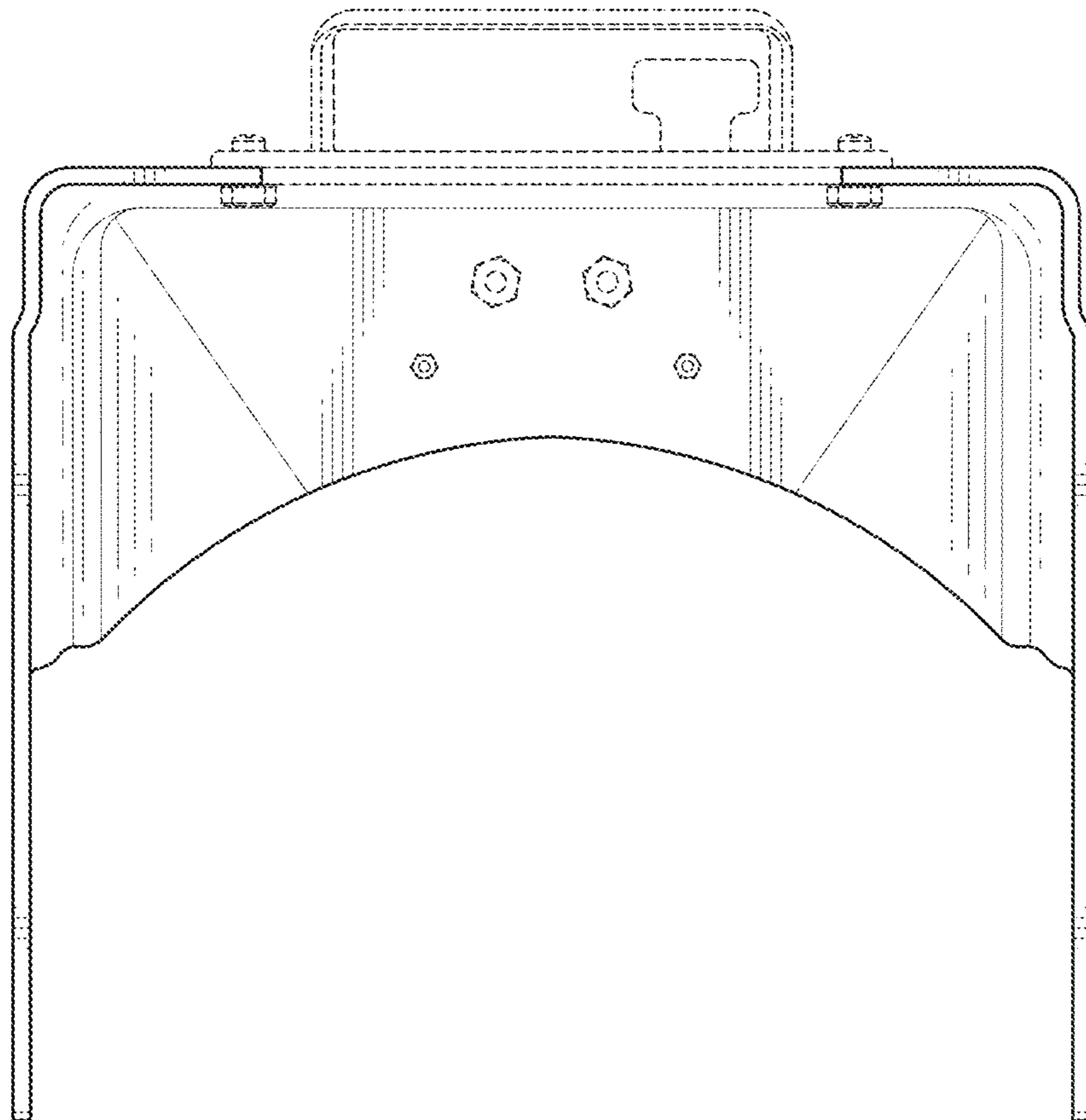


FIG. 7