



US00D917603S

(12) **United States Design Patent**
O'Connor et al.

(10) **Patent No.:** **US D917,603 S**

(45) **Date of Patent:** **** Apr. 27, 2021**

(54) **CAMERA**

(71) Applicant: **Amazon Technologies, Inc.**, Seattle, WA (US)

(72) Inventors: **Michael O'Connor**, Charlestown, MA (US); **Jonathan Howard Biddle**, San Francisco, CA (US); **Thomas Burns**, Boston, MA (US); **Emmanuel Laffon de Mazieres**, San Jose, CA (US)

(73) Assignee: **Amazon Technologies, Inc.**, Seattle, WA (US)

(**) Term: **15 Years**

(21) Appl. No.: **29/722,150**

(22) Filed: **Jan. 27, 2020**

(51) **LOC (13) Cl.** **16-01**

(52) **U.S. Cl.**
USPC **D16/218**

(58) **Field of Classification Search**
USPC D14/172, 194, 204, 221; D16/200–205, D16/208, 217–219; 348/148, 373–376; 396/529, 535–541
CPC G03B 15/03; G03B 17/02; G03B 17/04; G03B 17/56; G03B 19/04; H04N 5/2251; H04N 5/2252; H04N 5/2253; H04N 5/2254; H04N 2101/00
See application file for complete search history.

(56) **References Cited**

U.S. PATENT DOCUMENTS

D441,386 S * 5/2001 Yamazaki D16/203
D616,480 S * 5/2010 Ookawa D16/218
8,467,675 B2 * 6/2013 Chen H04N 5/2257
396/535

D727,387 S * 4/2015 Hasegawa D16/203
D727,991 S * 4/2015 Hasegawa D16/203
D729,761 S * 5/2015 Hu D14/194
D730,423 S * 5/2015 Vandebussche D16/218
D739,452 S * 9/2015 Adams D16/208
D741,932 S * 10/2015 Huang D16/202
D750,687 S * 3/2016 Samuels H04N 5/23216
D16/219
D754,230 S * 4/2016 Mori D16/200
D760,312 S * 6/2016 Lee D16/218
D773,547 S * 12/2016 Lee D16/218
D785,068 S * 4/2017 Patsis D16/218
D788,835 S * 6/2017 Wu D16/218
D858,603 S * 9/2019 Ye D16/203
D893,576 S * 8/2020 Kyte D16/218

* cited by examiner

Primary Examiner — Ramzi S Almatrahi

(74) *Attorney, Agent, or Firm* — Lee & Hayes, P.C.

(57) **CLAIM**

The ornamental design for a camera, as shown and described.

DESCRIPTION

FIG. 1 is a top, front, right-side perspective view of a camera;

FIG. 2 is a bottom, back, right-side perspective view thereof;

FIG. 3 is a front view thereof;

FIG. 4 is a back view thereof;

FIG. 5 is a left-side view thereof;

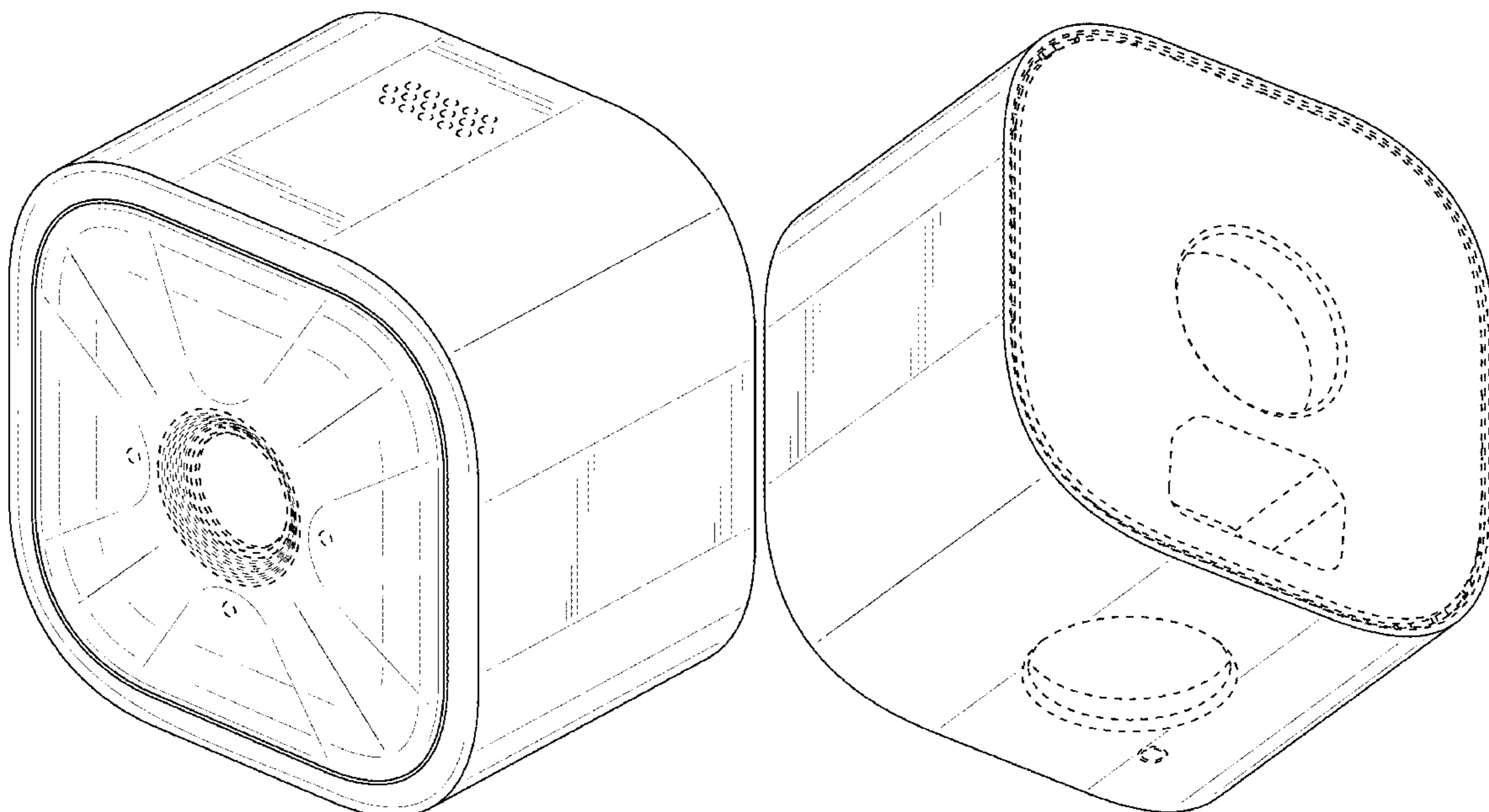
FIG. 6 is a right-side view thereof;

FIG. 7 is a top view thereof; and,

FIG. 8 is a bottom view thereof.

The dashed broken lines depict portions of the camera that form no part of the claimed design.

1 Claim, 8 Drawing Sheets



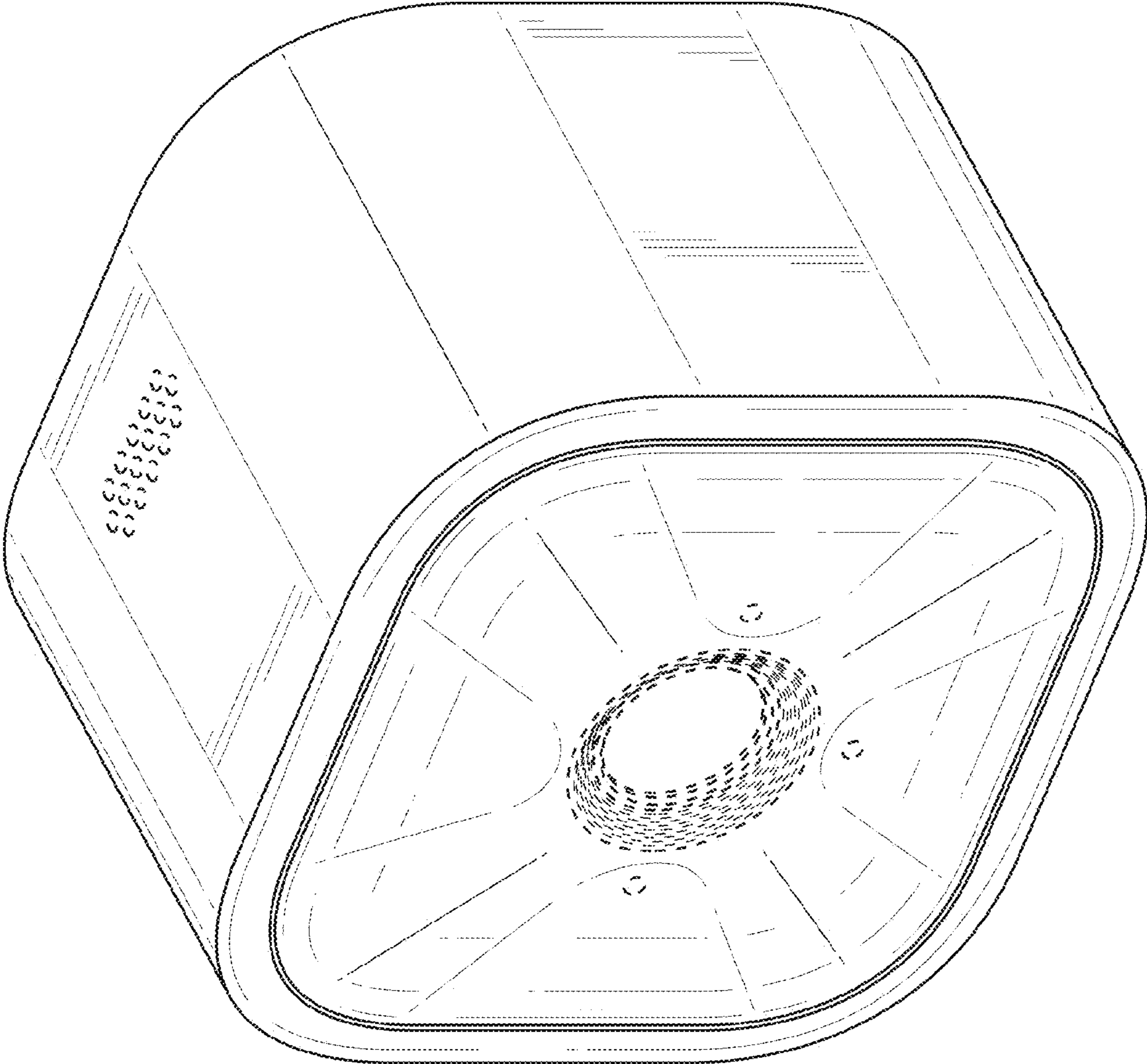


FIG. 1

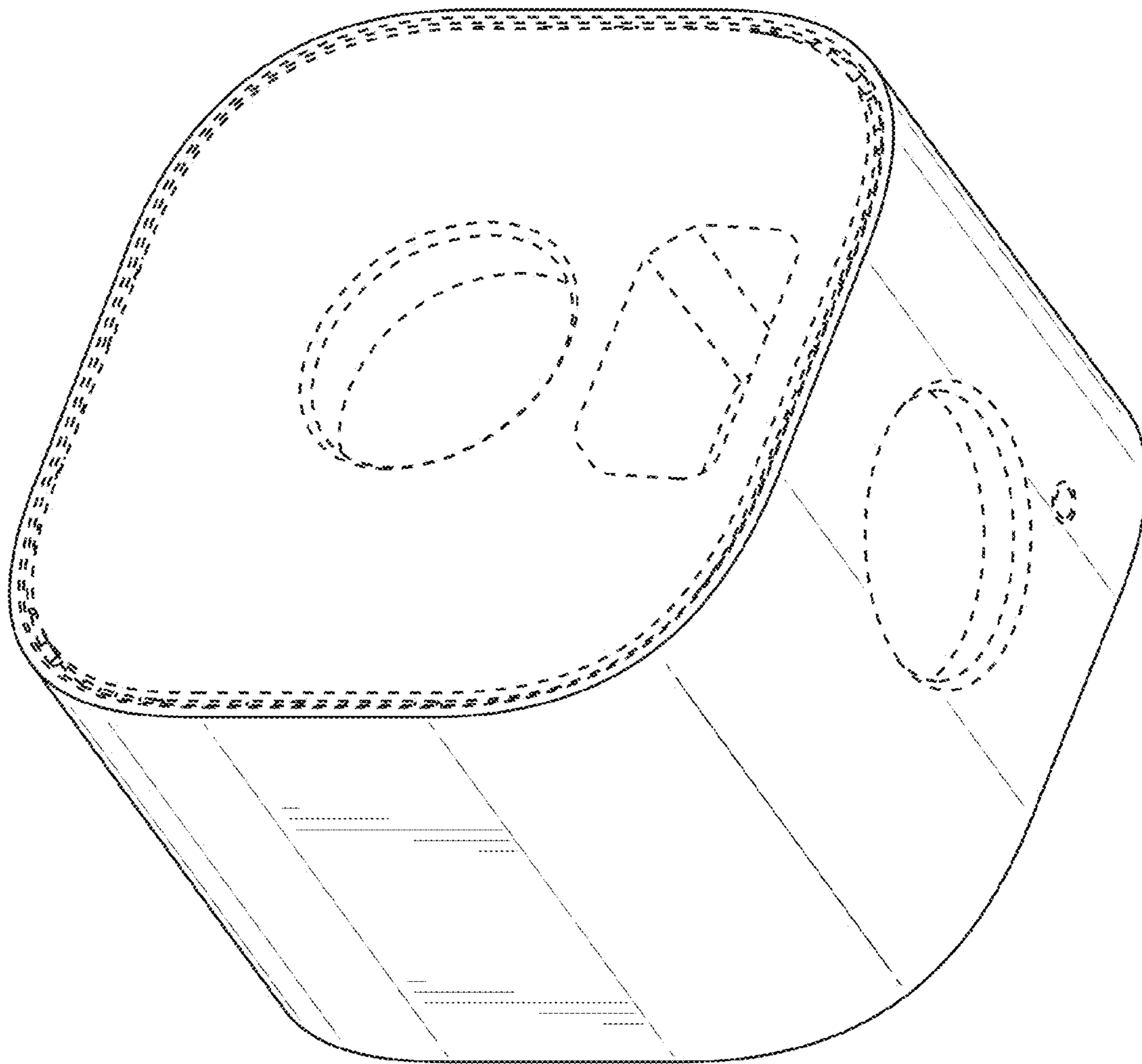


FIG. 2

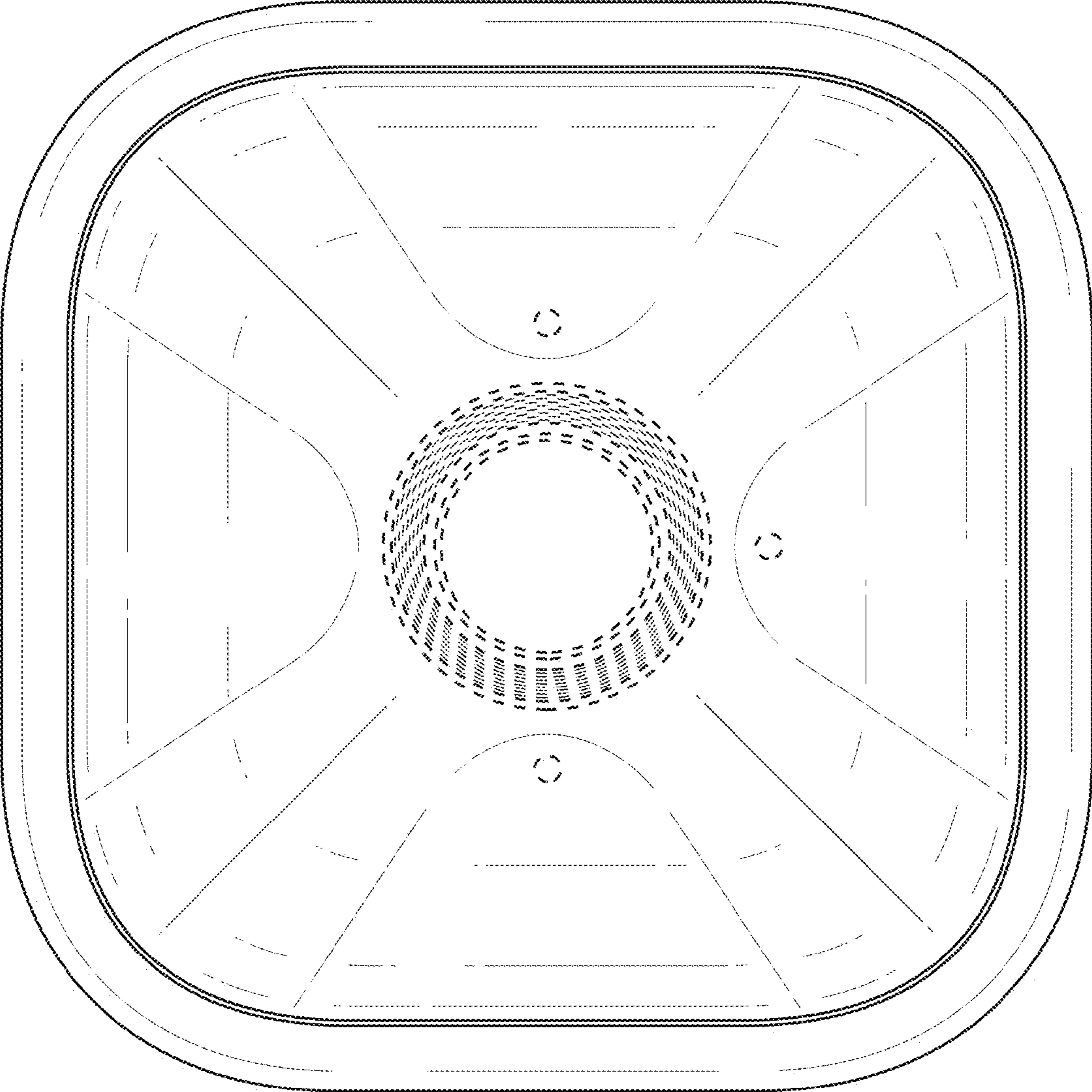


FIG. 3

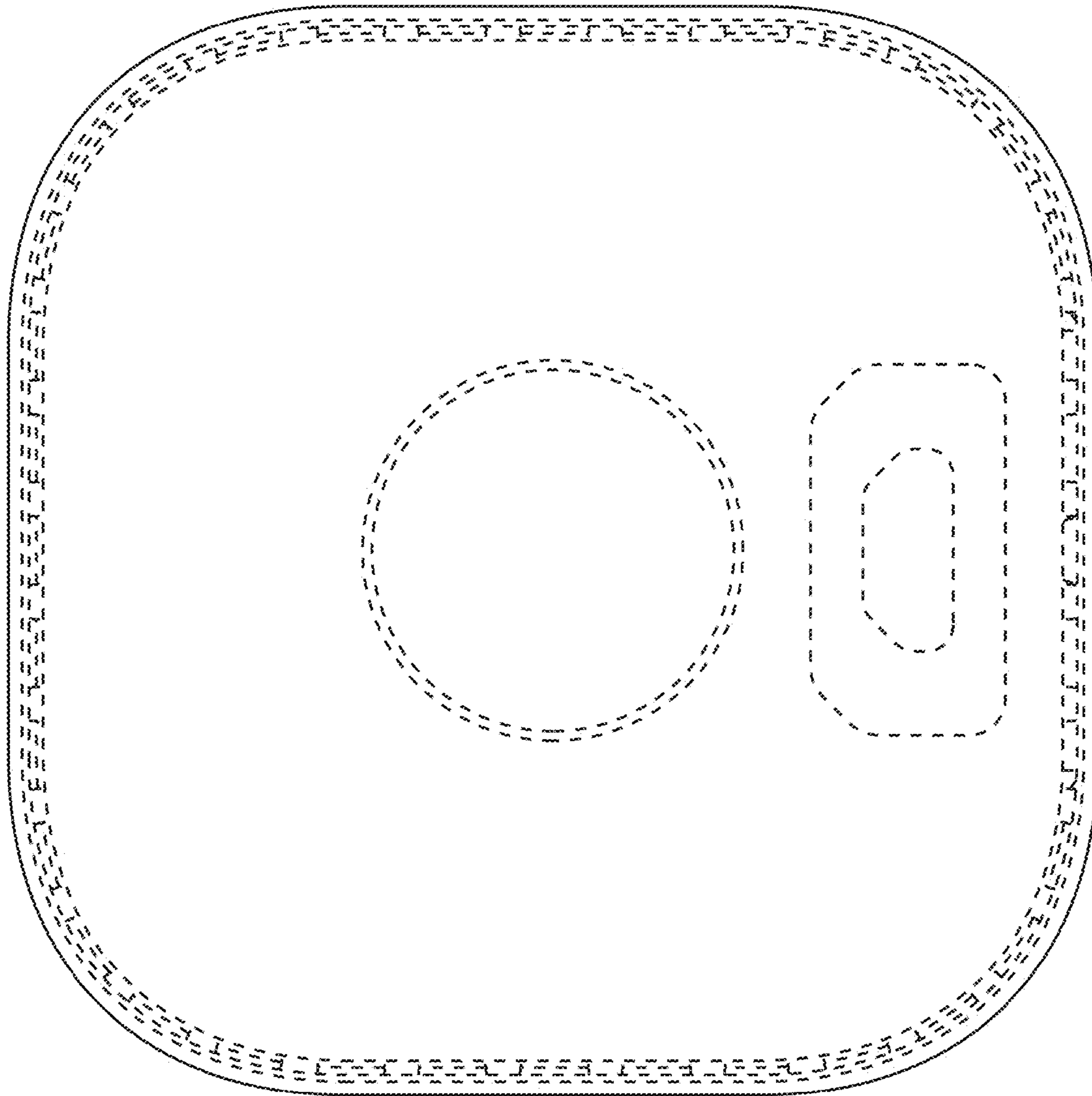


FIG. 4

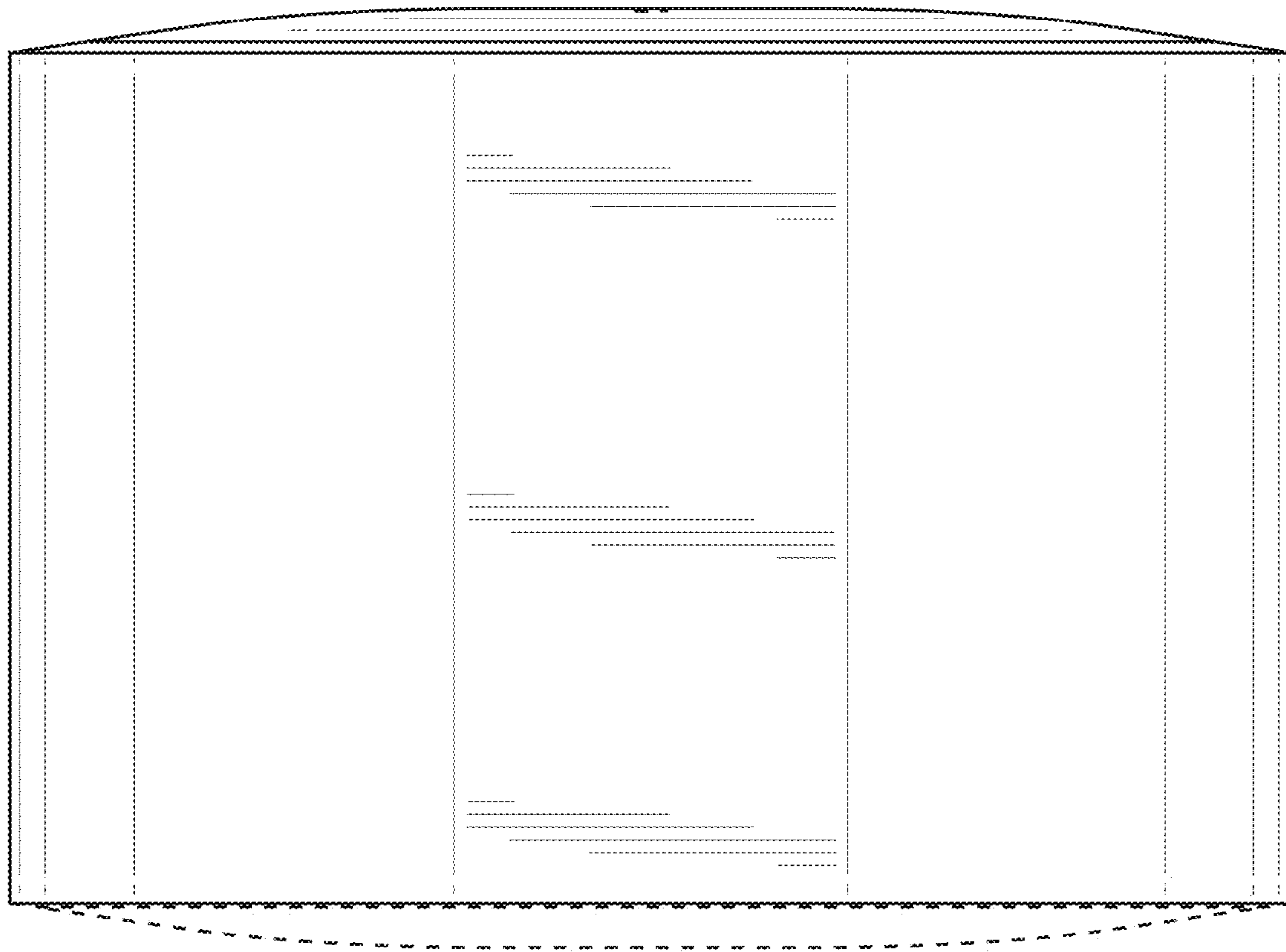


FIG. 5

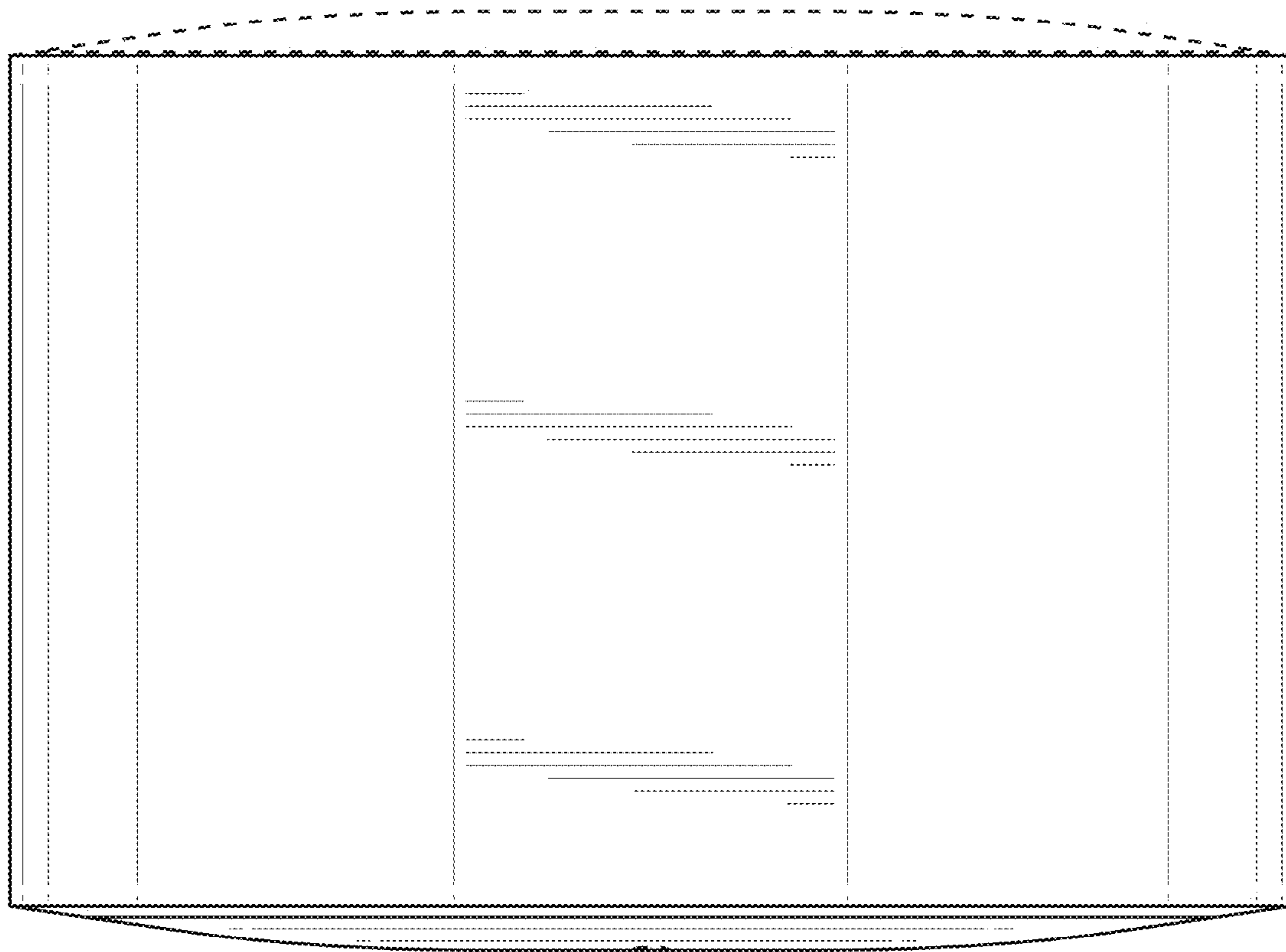


FIG. 6

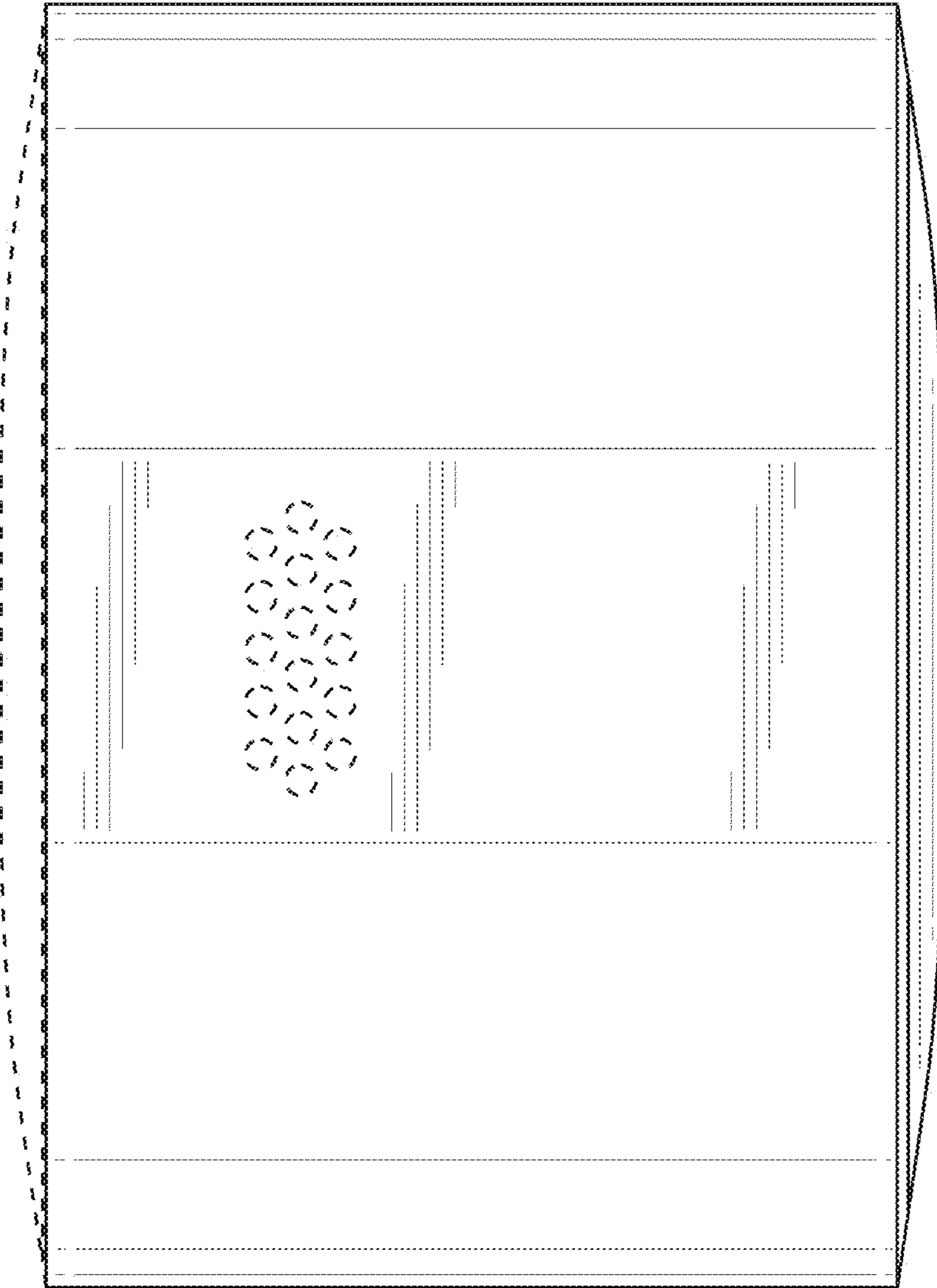


FIG. 7

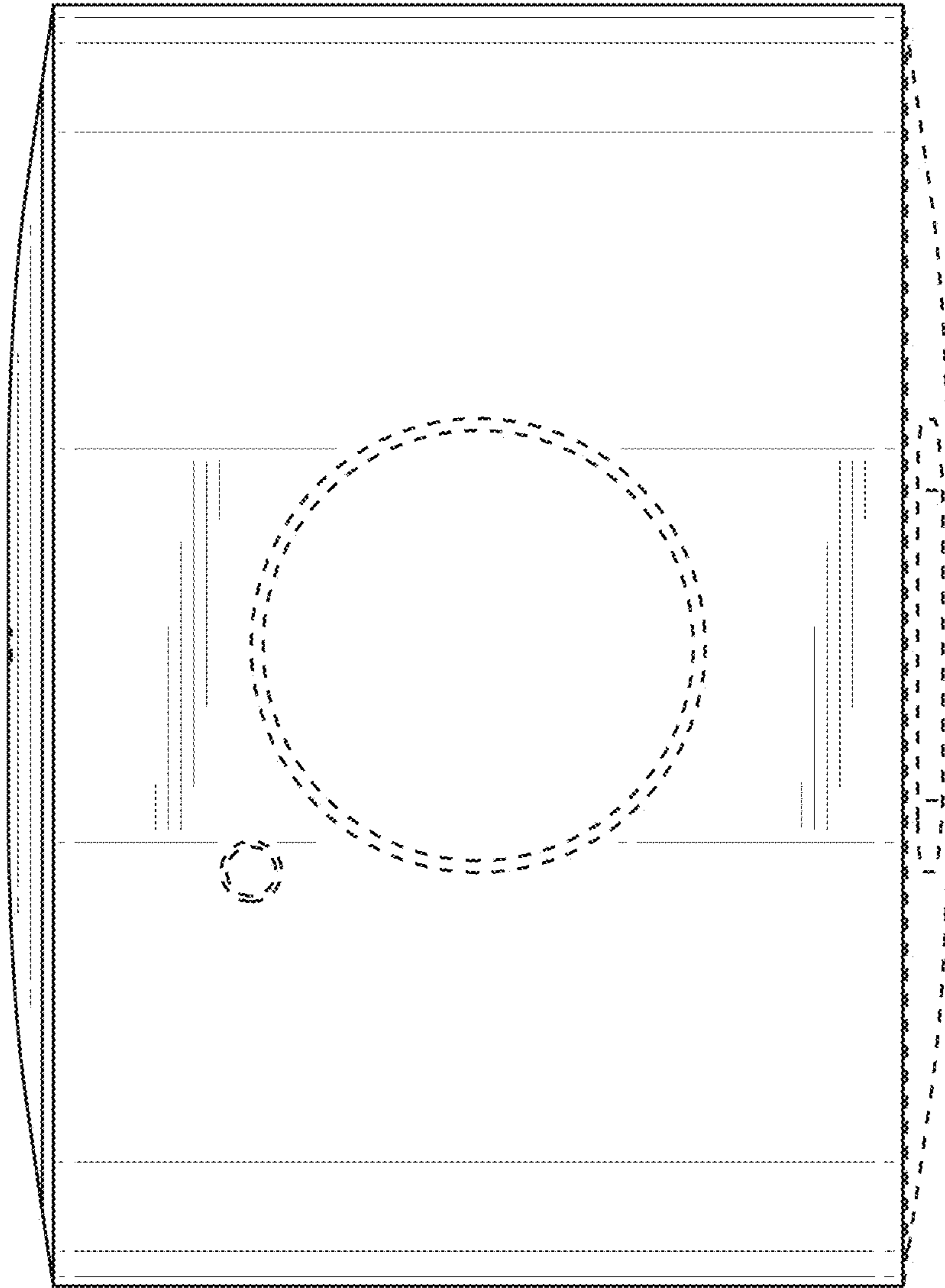


FIG. 8