



US00D917601S

(12) **United States Design Patent** (10) **Patent No.:** **US D917,601 S**  
**Grant et al.** (45) **Date of Patent:** **\*\* \*Apr. 27, 2021**

(54) **CAMERA**

(56) **References Cited**

(71) Applicant: **Portable Multimedia Ltd**, West End (GB)

U.S. PATENT DOCUMENTS

(72) Inventors: **Robert Grant**, West End (GB);  
**Graham Lambert**, West End (GB);  
**Ceri Hill**, West End (GB)

D747,386 S *	1/2016	Li .....	D16/208
D772,966 S *	11/2016	Song .....	D16/200
D848,508 S *	5/2019	Hsu .....	D16/218
D849,084 S *	5/2019	Hu .....	D16/202
D849,817 S *	5/2019	Wang .....	D16/218
D852,255 S *	6/2019	Guo .....	D16/202
D854,597 S *	7/2019	Gao .....	D16/202
D857,076 S *	8/2019	Gan .....	D16/202
D867,420 S *	11/2019	Zhang .....	D16/202
D868,725 S *	12/2019	Zhou .....	D14/167
D870,183 S *	12/2019	Tsukamoto .....	D16/218
D875,803 S *	2/2020	Yuan .....	D16/202
2013/0004152 A1 *	1/2013	Imafuji .....	G03B 15/02 396/155

(73) Assignee: **Portable Multimedia Ltd**, West End (GB)

(\*) Notice: This patent is subject to a terminal disclaimer.

(\*\*) Term: **15 Years**

\* cited by examiner

(21) Appl. No.: **29/694,135**

*Primary Examiner* — Ramzi S Almatrahi

(22) Filed: **Jun. 7, 2019**

(57) **CLAIM**

The ornamental design for a camera, as shown and described.

(30) **Foreign Application Priority Data**

**DESCRIPTION**

Dec. 7, 2018 (GB) ..... 6049649

(51) **LOC (13) Cl.** ..... **16-01**

(52) **U.S. Cl.**  
USPC ..... **D16/218**; D16/208

(58) **Field of Classification Search**  
USPC ..... D16/200, 212, 218, 219; 348/373–376;  
396/448, 535, 539–541

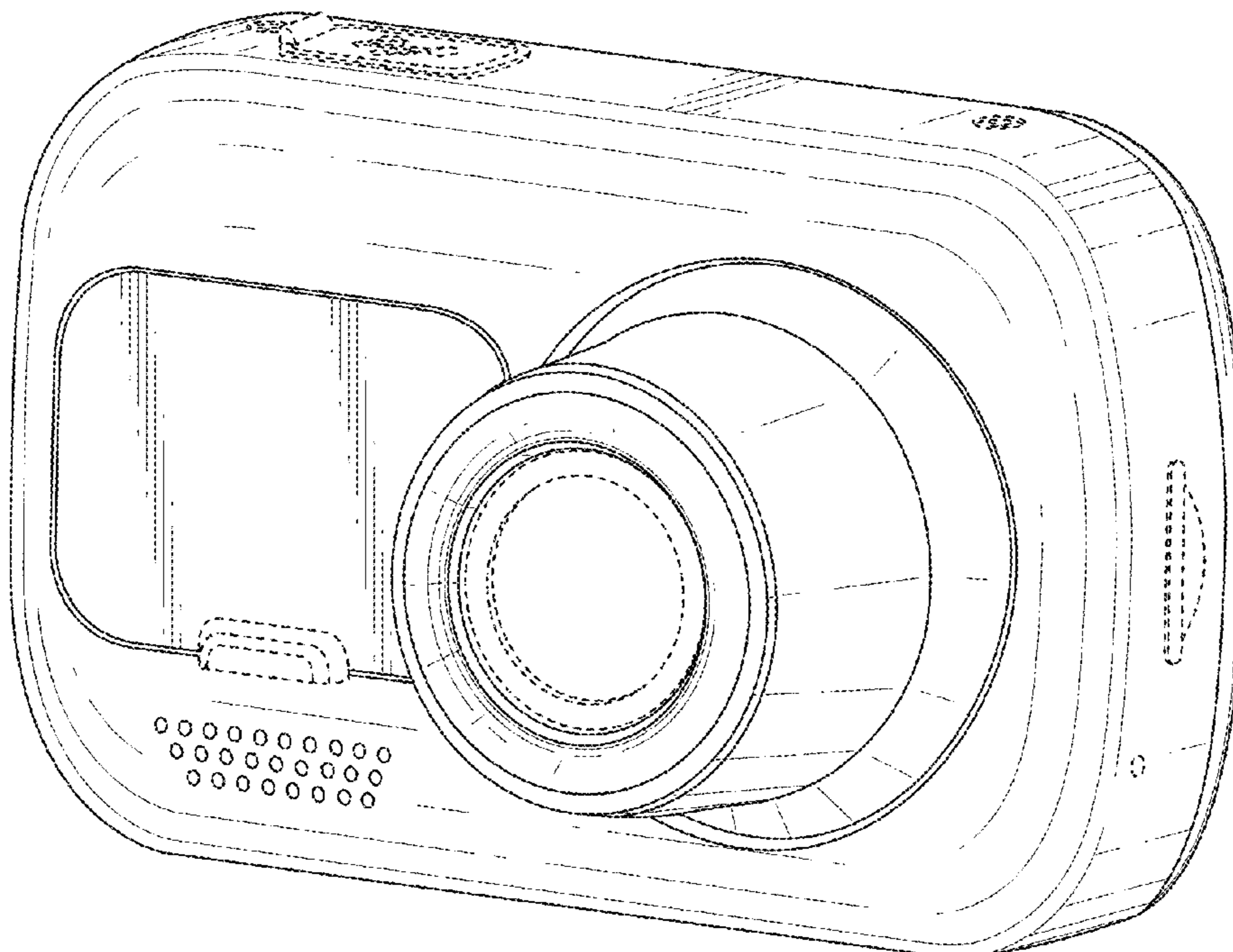
CPC ..... G03B 15/03; G03B 17/02; G03B 17/04;  
G03B 17/56; G03B 19/04; H04N 5/2251;  
H04N 5/2252; H04N 5/2253; H04N  
5/2254; H04N 2101/00

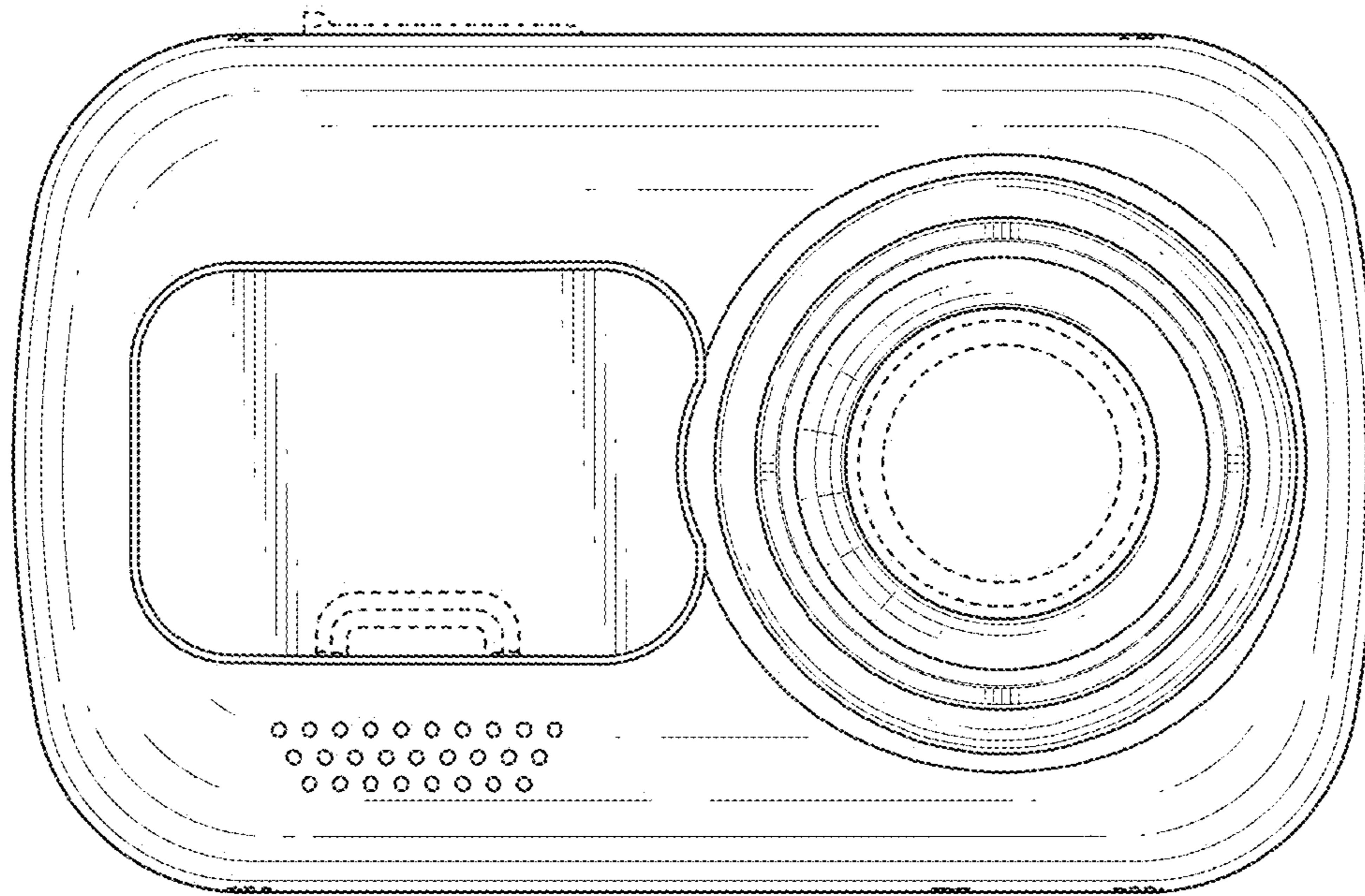
See application file for complete search history.

FIG. 1 is a front elevation view of a camera showing our new design;  
FIG. 2 is a rear elevation view thereof;  
FIG. 3 is a right-side elevation view thereof;  
FIG. 4 is a left-side elevation view thereof;  
FIG. 5 is a bottom plan view thereof;  
FIG. 6 is a top plan view thereof; and,  
FIG. 7 is a front perspective view thereof.

The broken lines depict portions of the camera in which the design is embodied that form no part of the claimed design.

**1 Claim, 7 Drawing Sheets**





*FIG. 1*

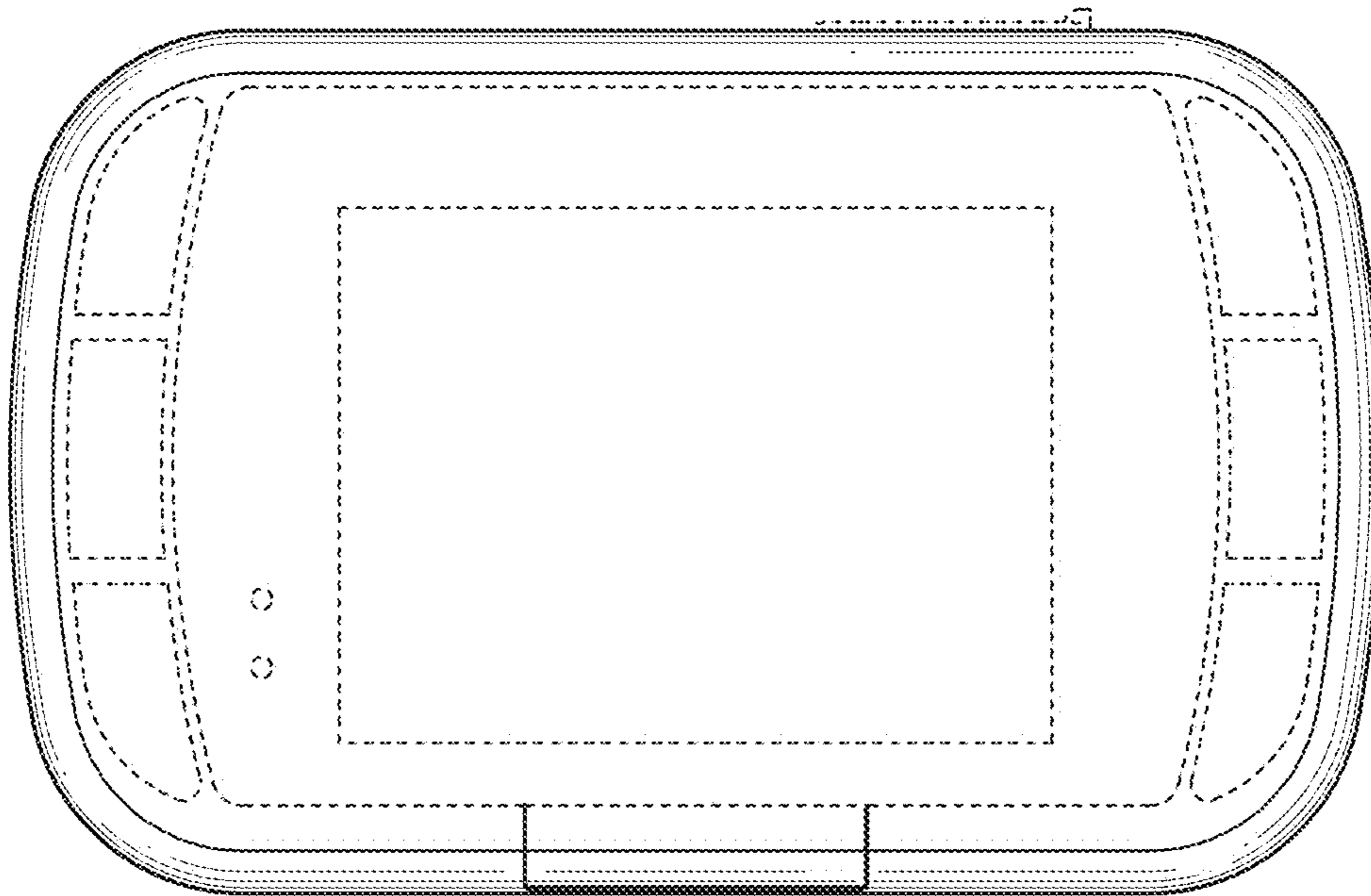
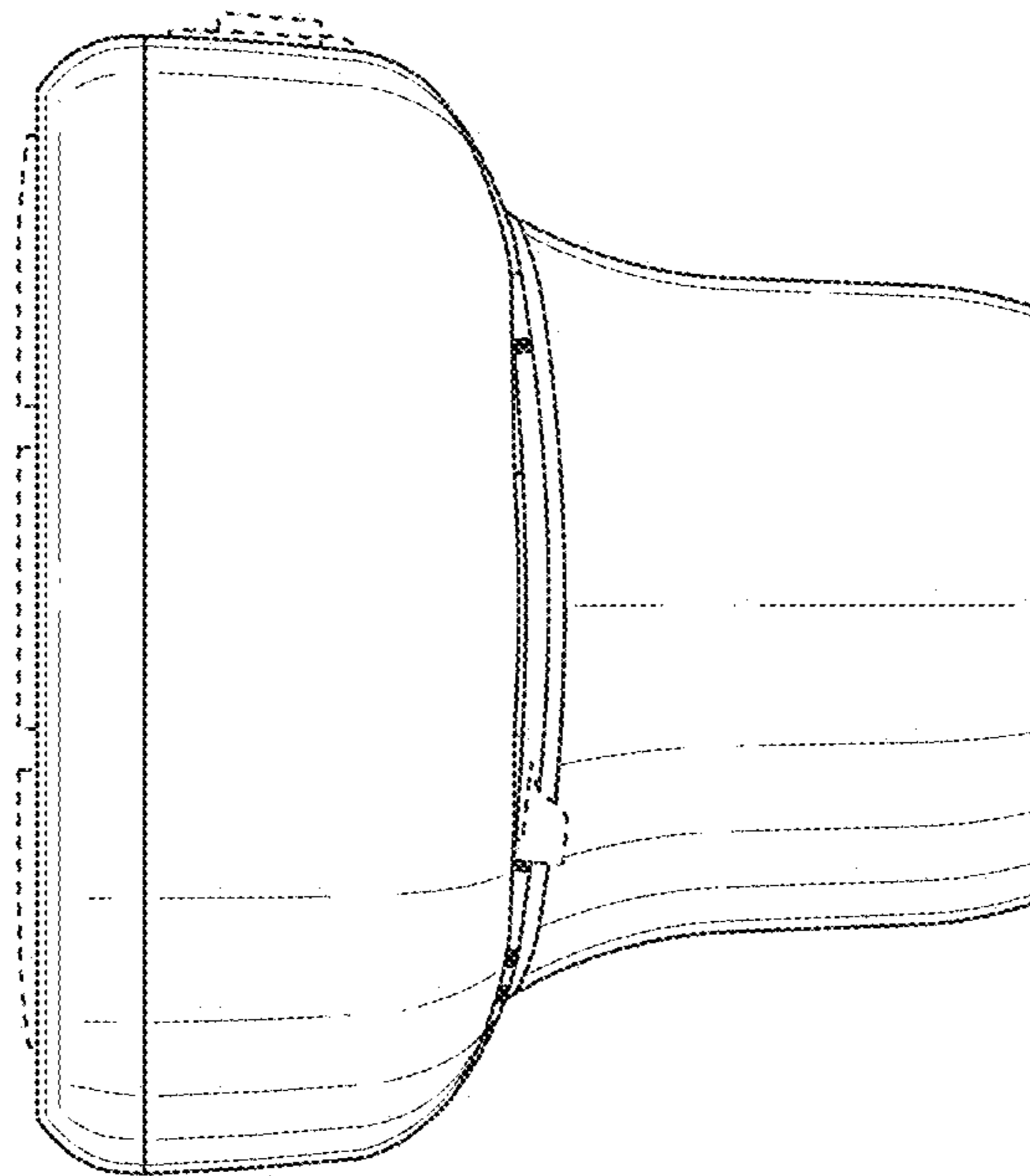


FIG. 2



*FIG. 3*

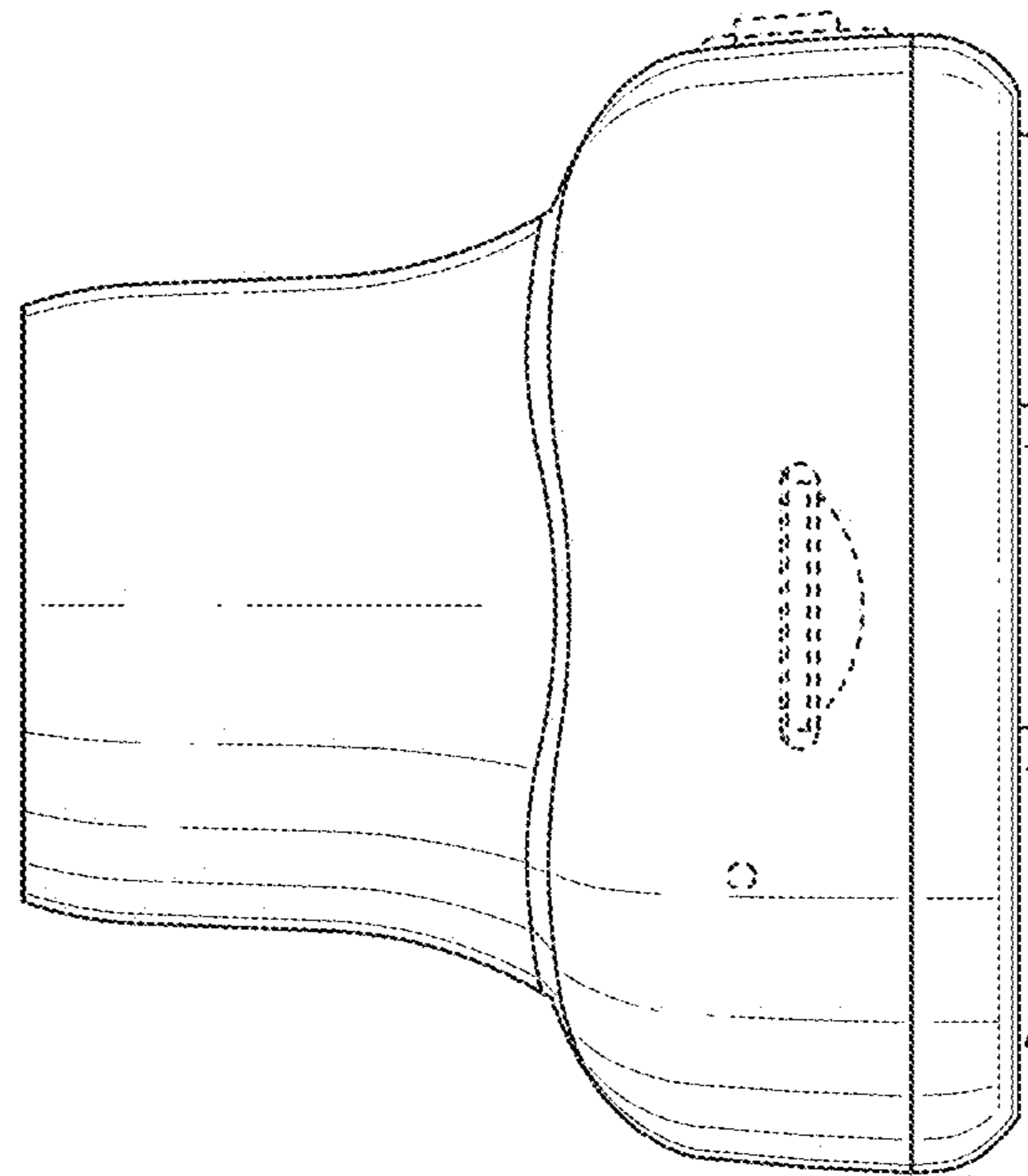
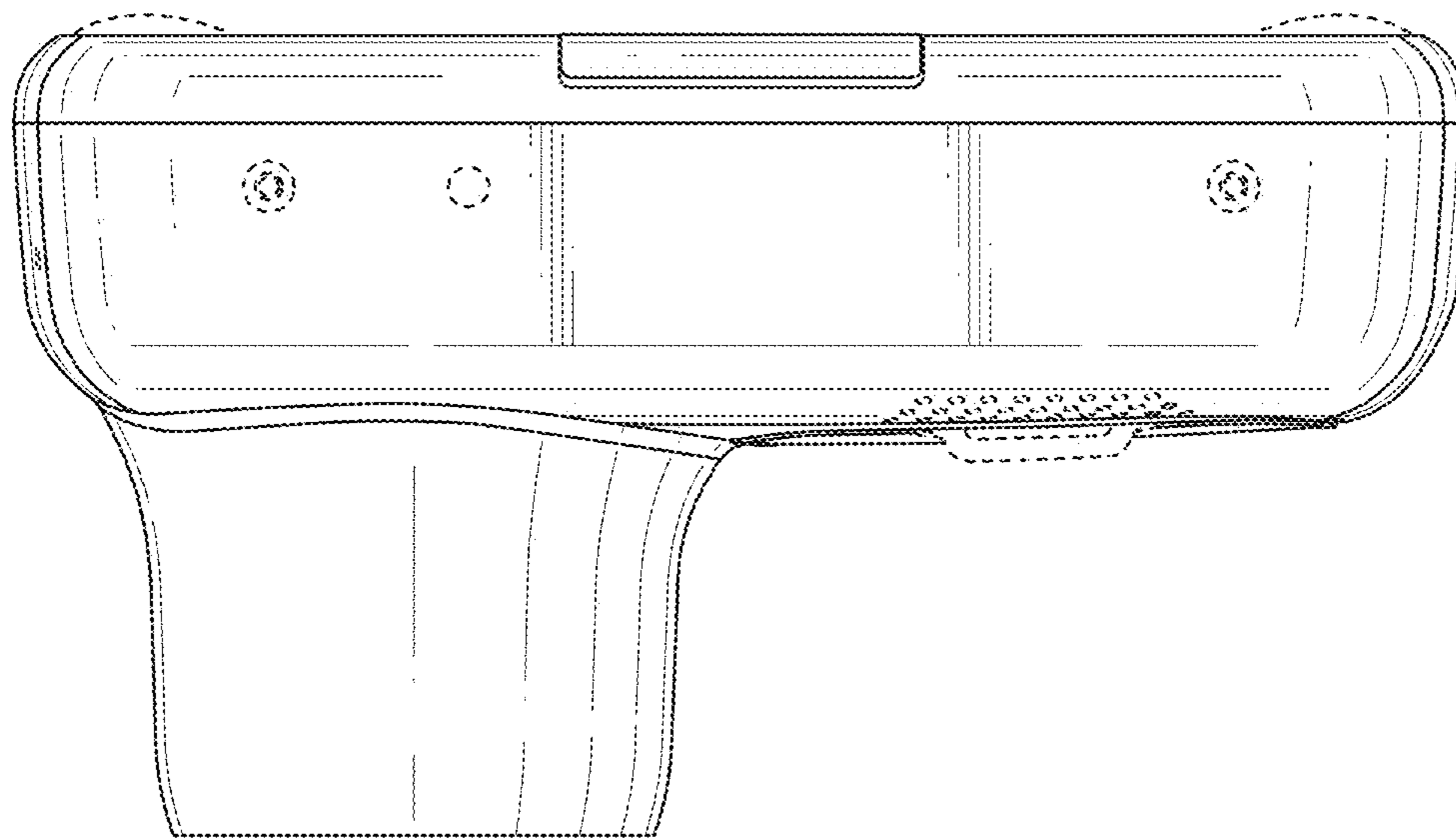


FIG. 4



*FIG. 5*

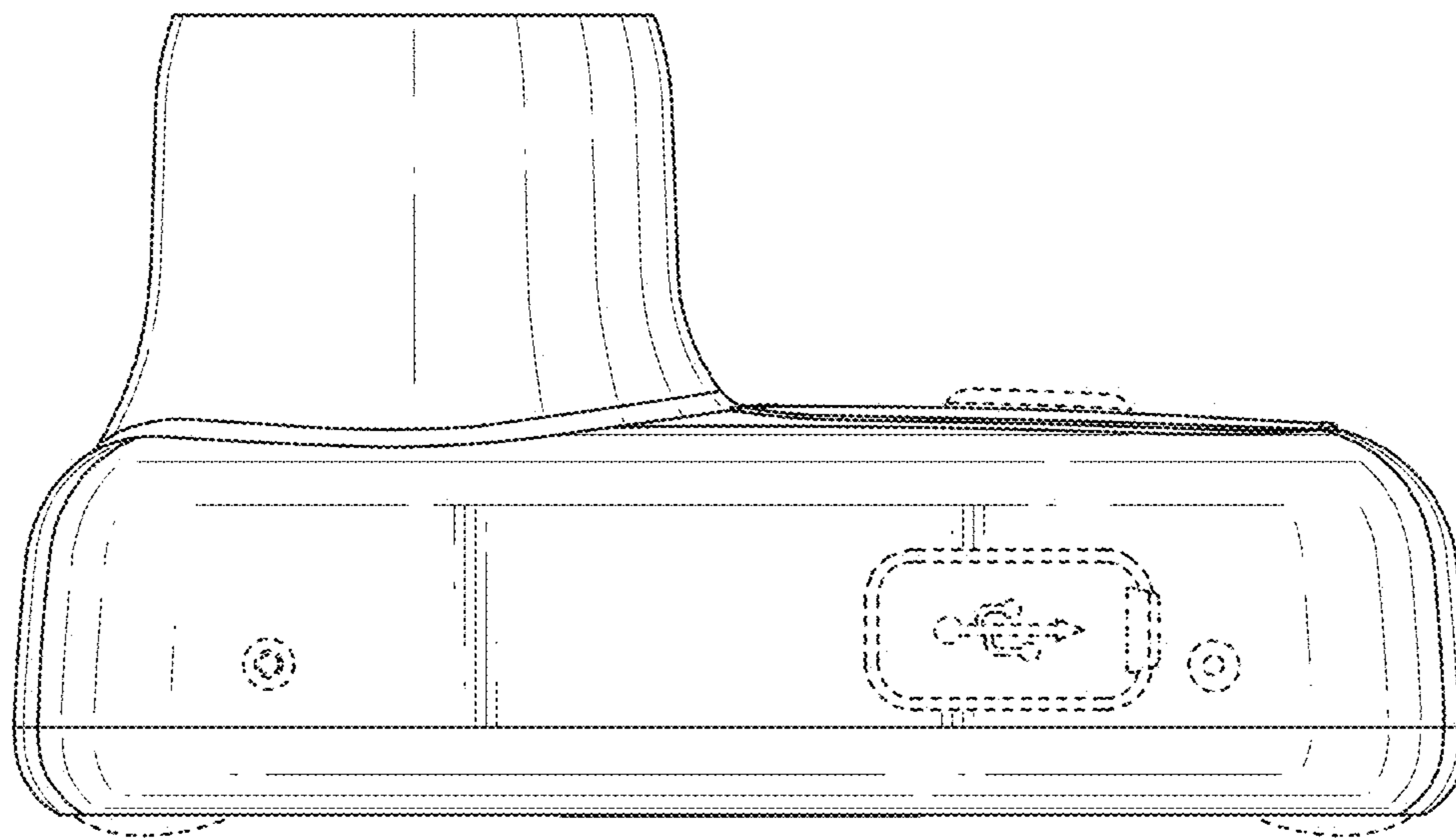


FIG. 6

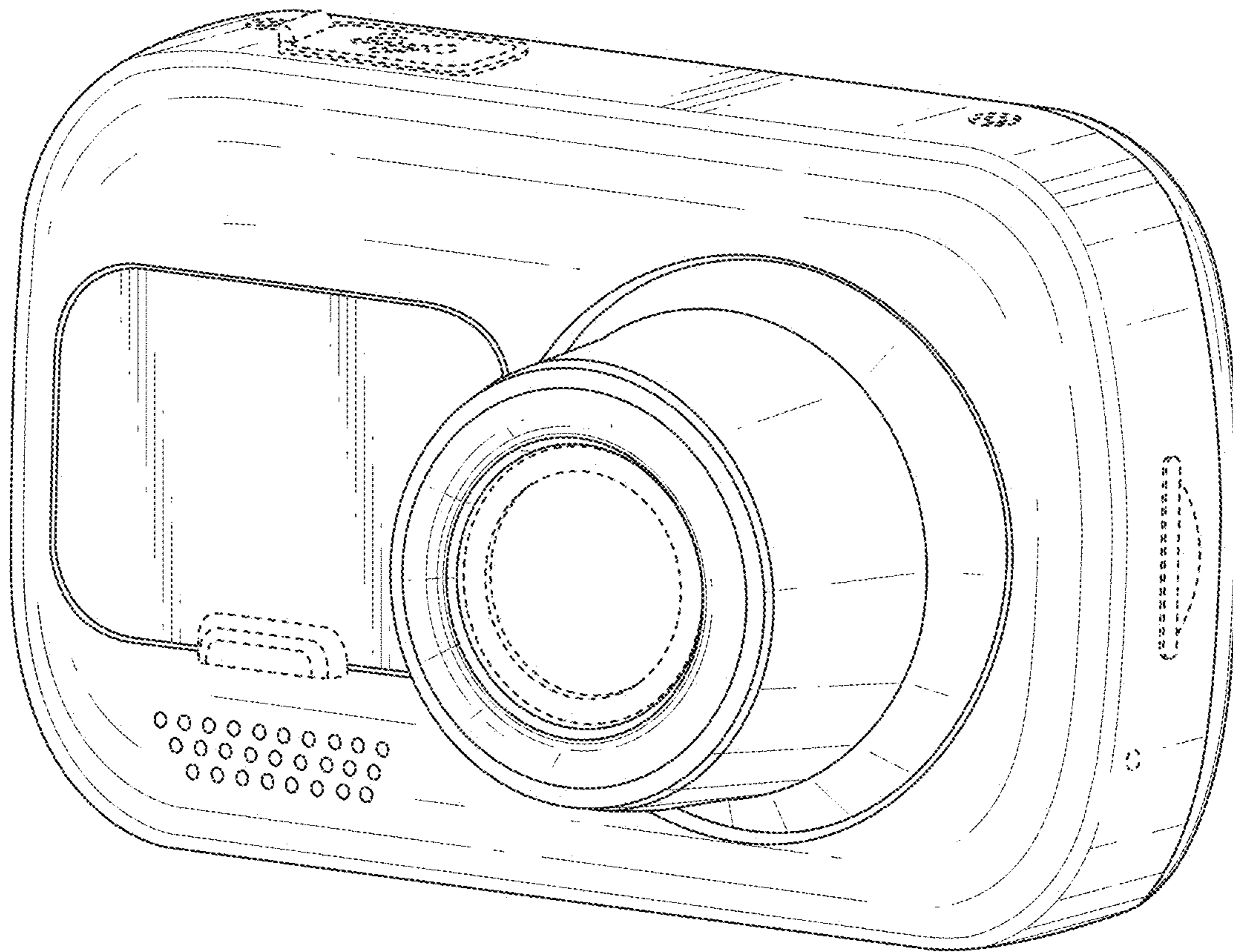


FIG. 7