



US00D917598S

(12) **United States Design Patent**
Ye et al.

(10) **Patent No.:** **US D917,598 S**

(45) **Date of Patent:** **** Apr. 27, 2021**

(54) **CAMERA SET**

(71) Applicant: **Tianjin HuaLai Technology Co., Ltd,**
Tianjin (CN)

(72) Inventors: **Ting Ye,** Tianjin (CN); **Lianjing Bi,**
Tianjin (CN)

(73) Assignee: **TIANJIN HUALAI TECHNOLOGY**
CO., LTD, Tianjin (CN)

(**) Term: **15 Years**

(21) Appl. No.: **29/706,072**

(22) Filed: **Sep. 18, 2019**

(30) **Foreign Application Priority Data**

Jul. 23, 2019 (CN) 201930392743.1

(51) **LOC (13) Cl.** **16-01**

(52) **U.S. Cl.**
USPC **D16/203**

(58) **Field of Classification Search**
USPC D14/172, 194, 204, 221; D16/200–205,
D16/208, 217–219; 348/148, 373–376;
396/529, 535–541

(Continued)

(56) **References Cited**

U.S. PATENT DOCUMENTS

D441,386 S * 5/2001 Yamazaki D16/203
D616,480 S * 5/2010 Ookawa D16/218

(Continued)

Primary Examiner — Ramzi S Almatrahi

(74) *Attorney, Agent, or Firm* — Bayramoglu Law Offices
LLC

(57) **CLAIM**

The ornamental design for a camera set, as shown and described.

DESCRIPTION

FIG. 1 is a front elevational view of a camera set showing our new design;

FIG. 2 is a rear elevational view thereof;

FIG. 3 is a left side elevational view thereof;

FIG. 4 is a right side elevational view thereof;

FIG. 5 is a top plan view thereof;

FIG. 6 is a bottom plan view thereof;

FIG. 7 is a top, front and right side perspective view thereof;

FIG. 8 is a top, rear and right side perspective view thereof;

FIG. 9 is a top, front and left side perspective view thereof shown in an unfolded configuration;

FIG. 10 is a top, front and right side perspective view thereof shown in an alternate unfolded configuration;

FIG. 11 is a front elevational view of a camera, with the camera base omitted for ease of illustration;

FIG. 12 is a rear elevational view thereof;

FIG. 13 is a left side elevational view thereof;

FIG. 14 is a right side elevational view thereof;

FIG. 15 is a top plan view thereof;

FIG. 16 is a bottom plan view thereof;

FIG. 17 is a top, front and right side perspective view thereof;

FIG. 18 is a top, rear and right side perspective view thereof;

FIG. 19 is a front elevational view of a camera base, with the camera omitted for ease of illustration;

FIG. 20 is a rear elevational view thereof;

FIG. 21 is a left side elevational view thereof;

FIG. 22 is a right side elevational view thereof;

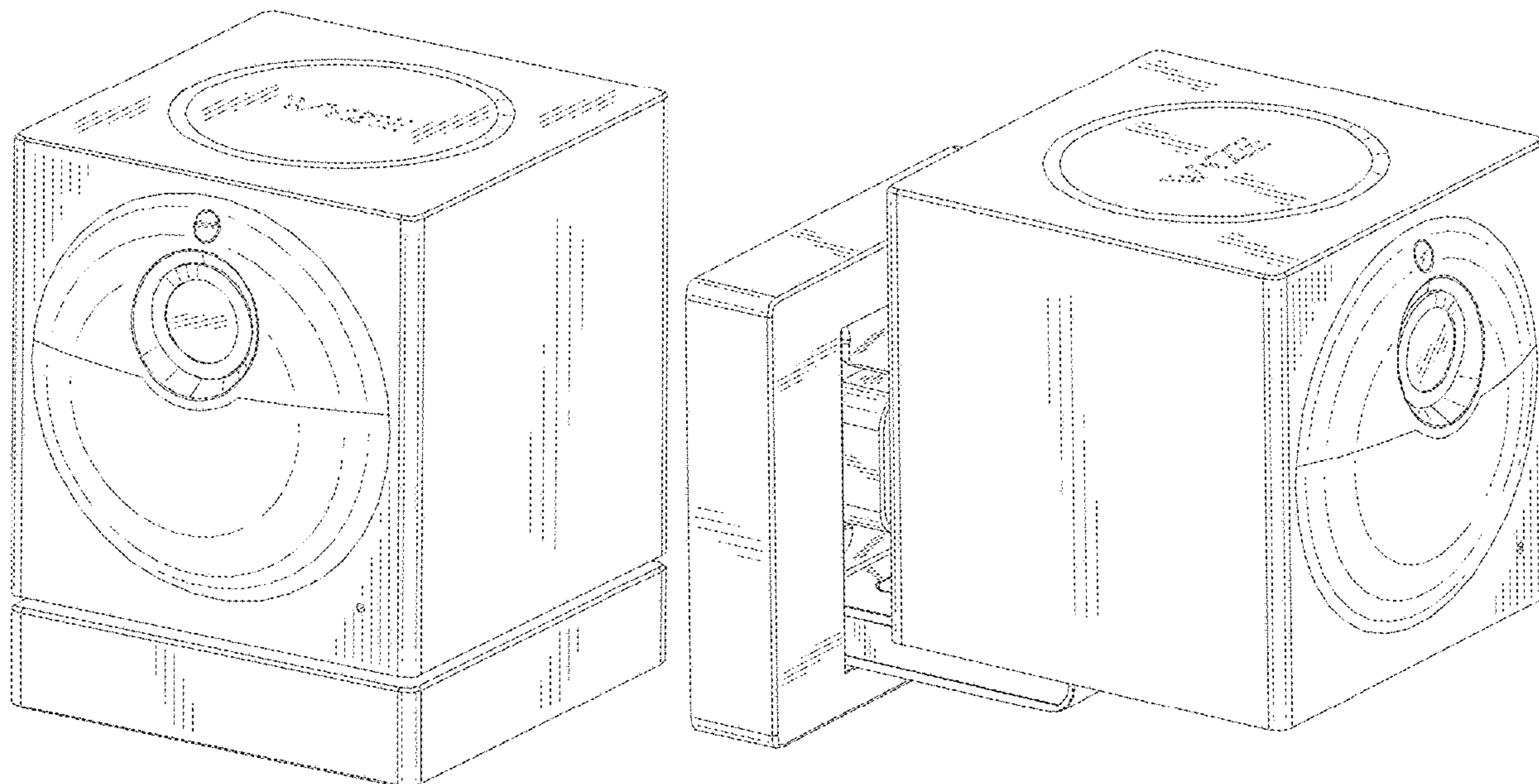
FIG. 23 is a top plan view thereof;

FIG. 24 is a bottom plan view thereof; and,

FIG. 25 is a top, rear and right side perspective view thereof.

The broken lines depict portions of the camera set in which the design is embodied that form no part of the claimed design.

1 Claim, 25 Drawing Sheets



(58) **Field of Classification Search**

CPC G03B 15/03; G03B 17/02; G03B 17/04;
G03B 17/56; G03B 19/04; H04N 5/2251;
H04N 5/2252; H04N 5/2253; H04N
5/2254; H04N 2101/00

See application file for complete search history.

(56) **References Cited**

U.S. PATENT DOCUMENTS

D727,387	S	*	4/2015	Hasegawa	D16/203
D727,991	S	*	4/2015	Hasegawa	D16/203
D730,423	S	*	5/2015	Vandenbussche	D16/218
9,282,226	B2	*	3/2016	Samuels	G03B 17/561
D785,068	S	*	4/2017	Patsis	D16/218
D858,603	S	*	9/2019	Ye	D16/203

* cited by examiner

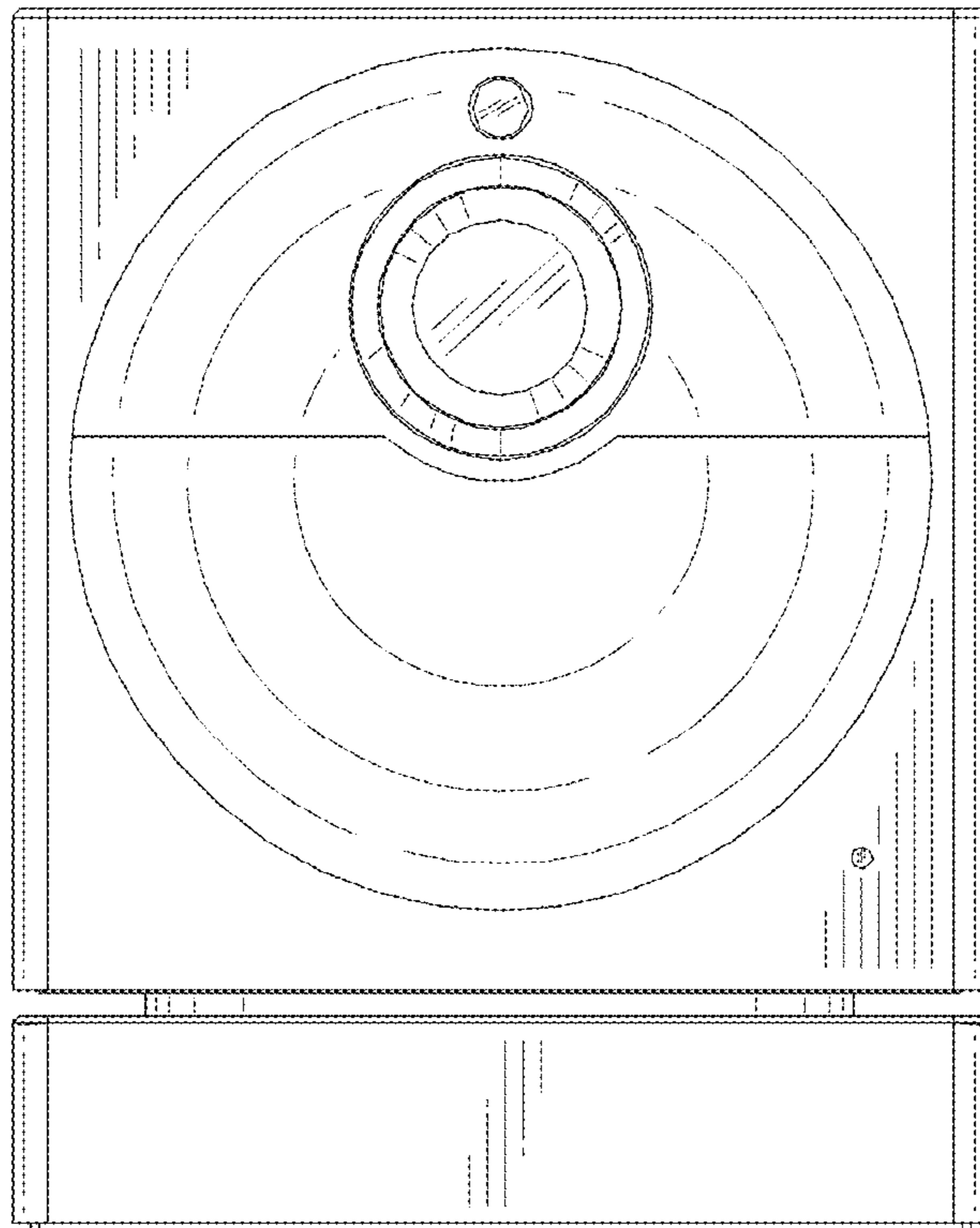


FIG. 1

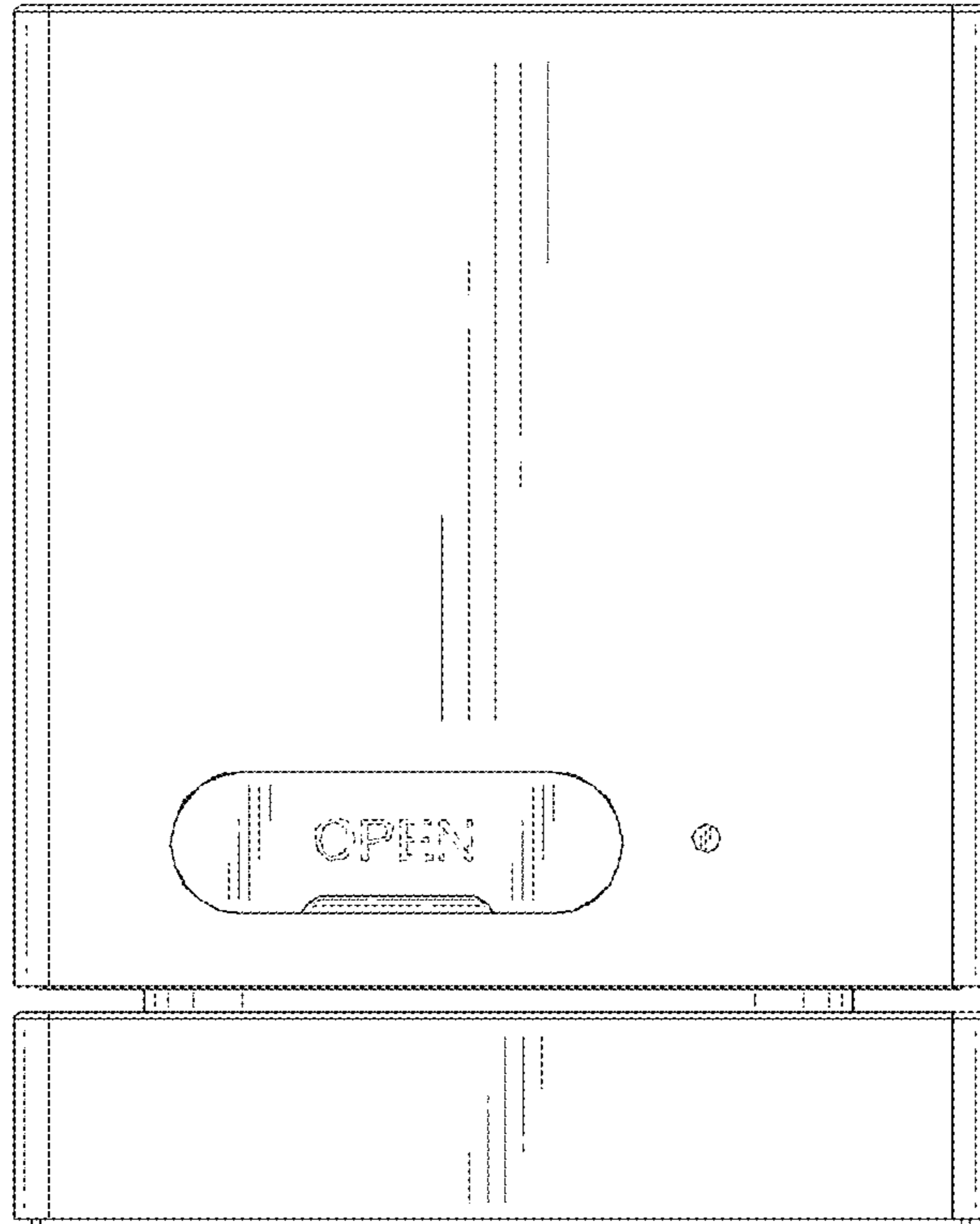


FIG. 2

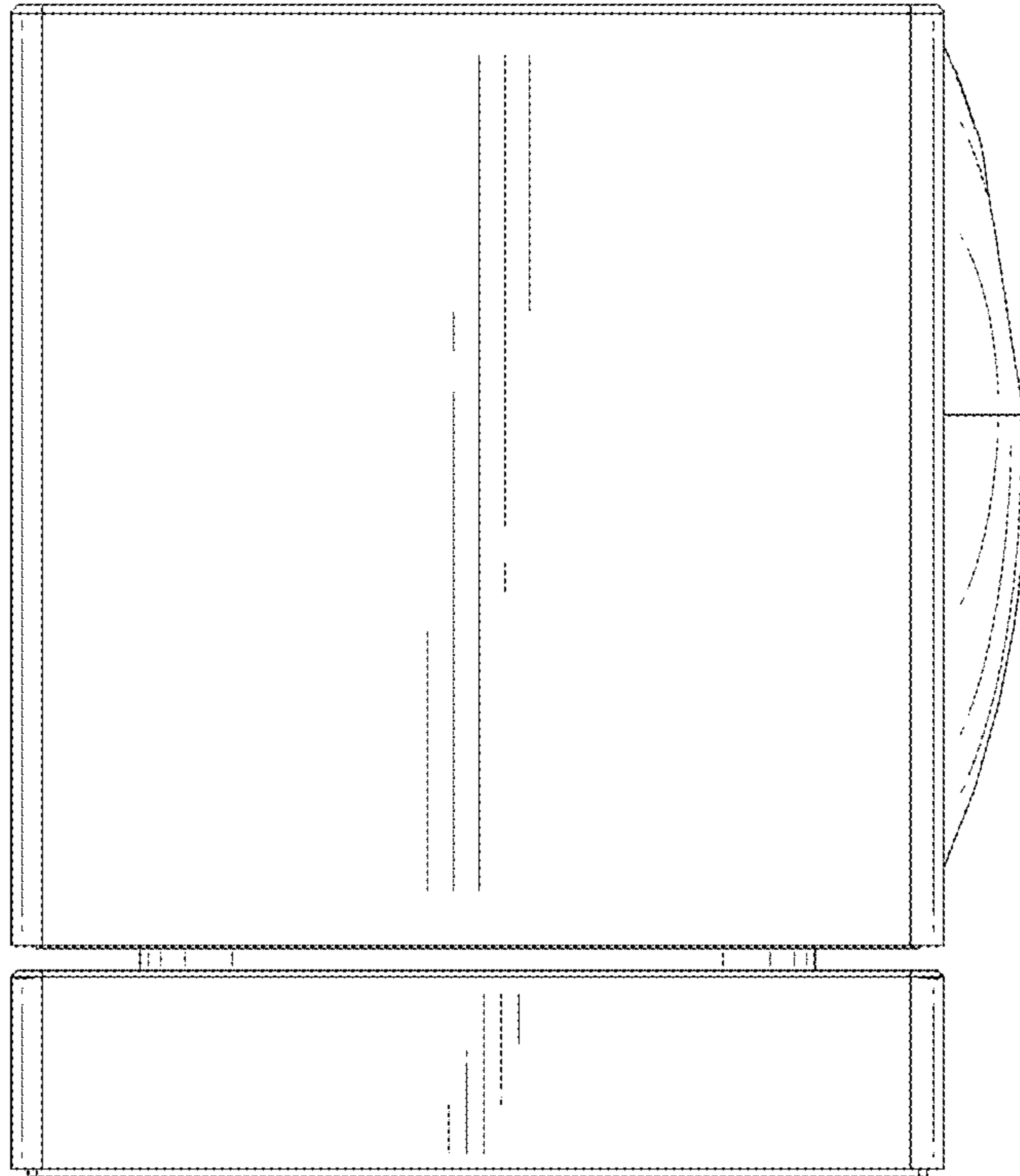


FIG. 3

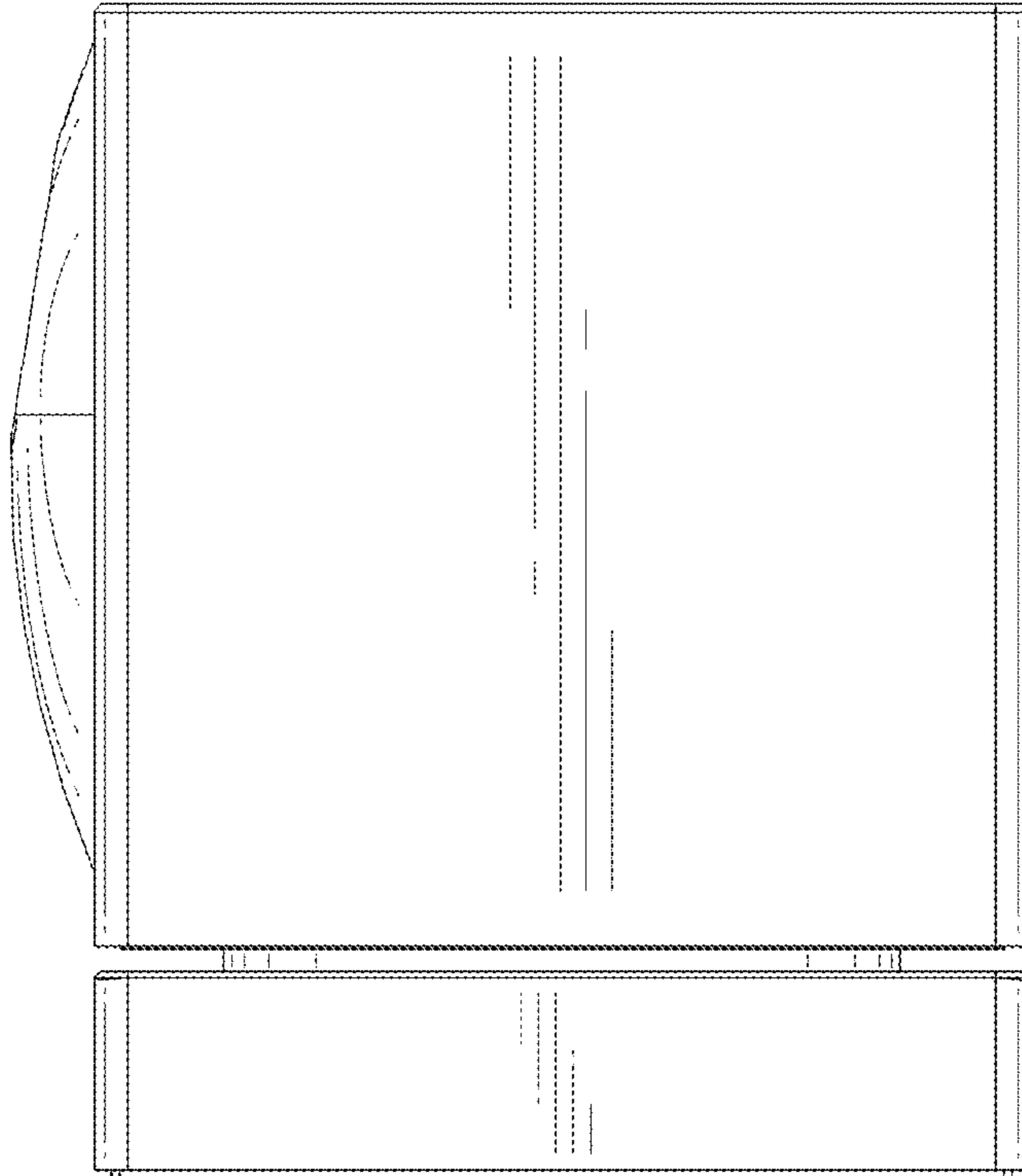


FIG. 4

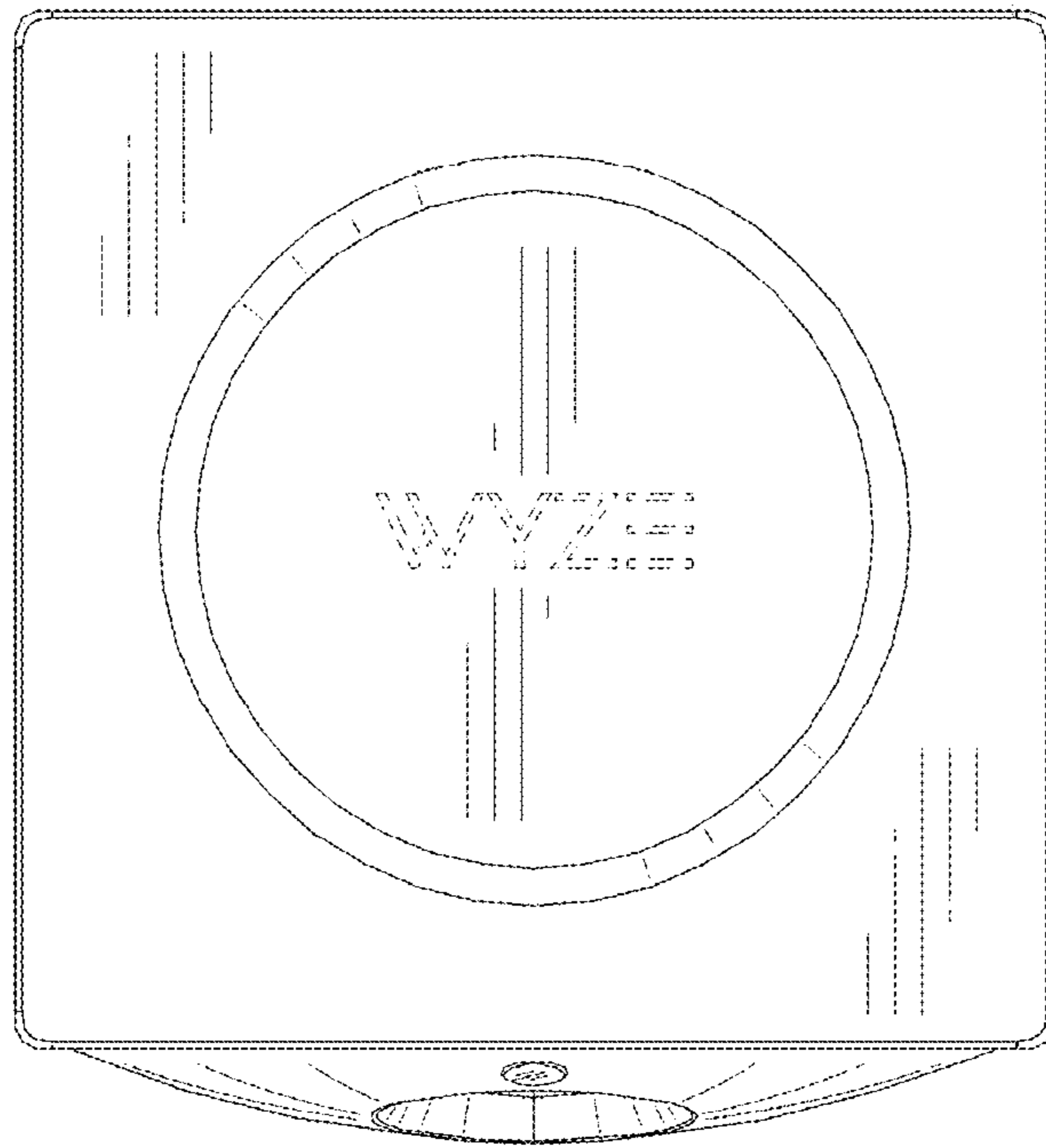


FIG. 5

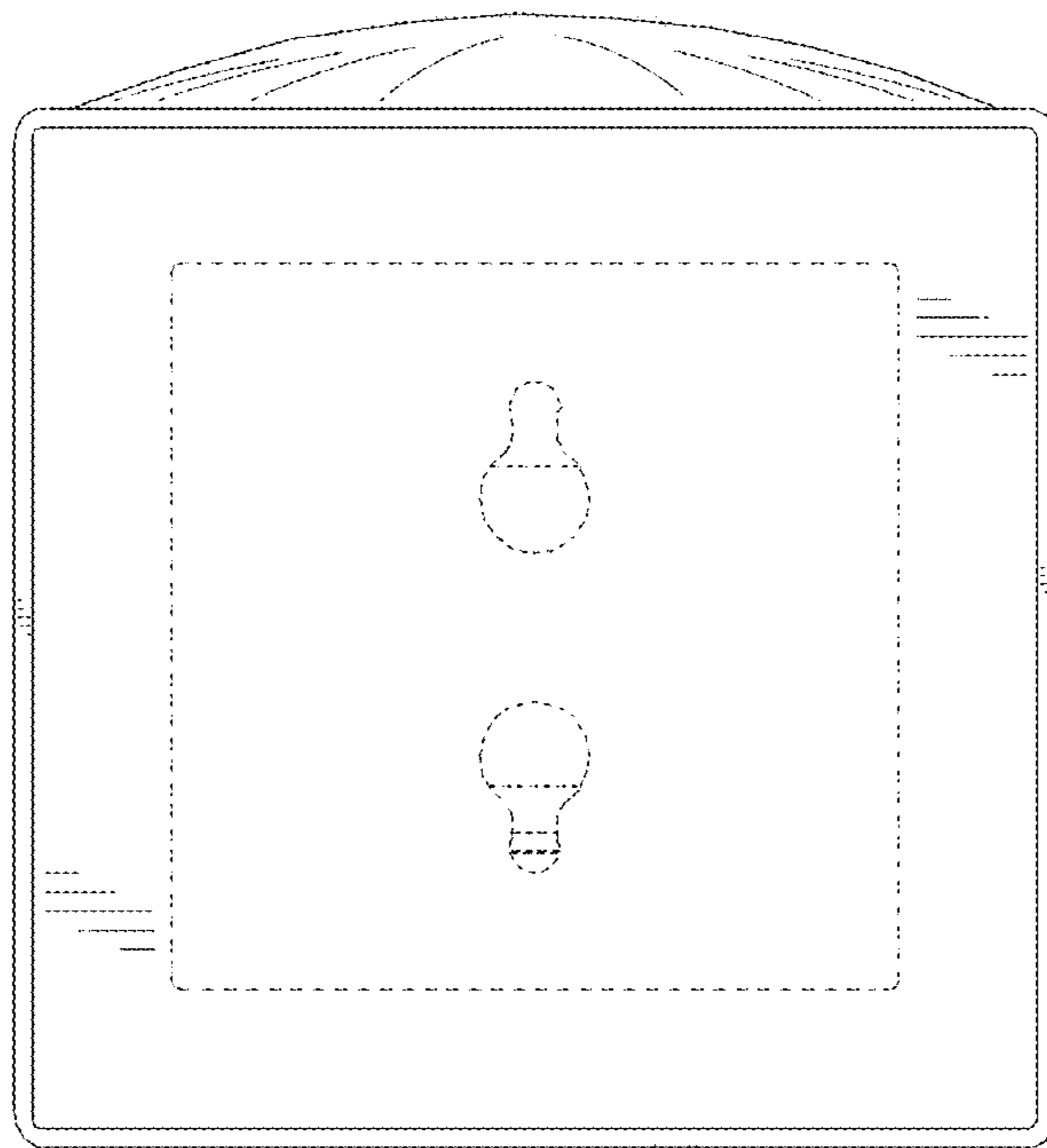


FIG. 6

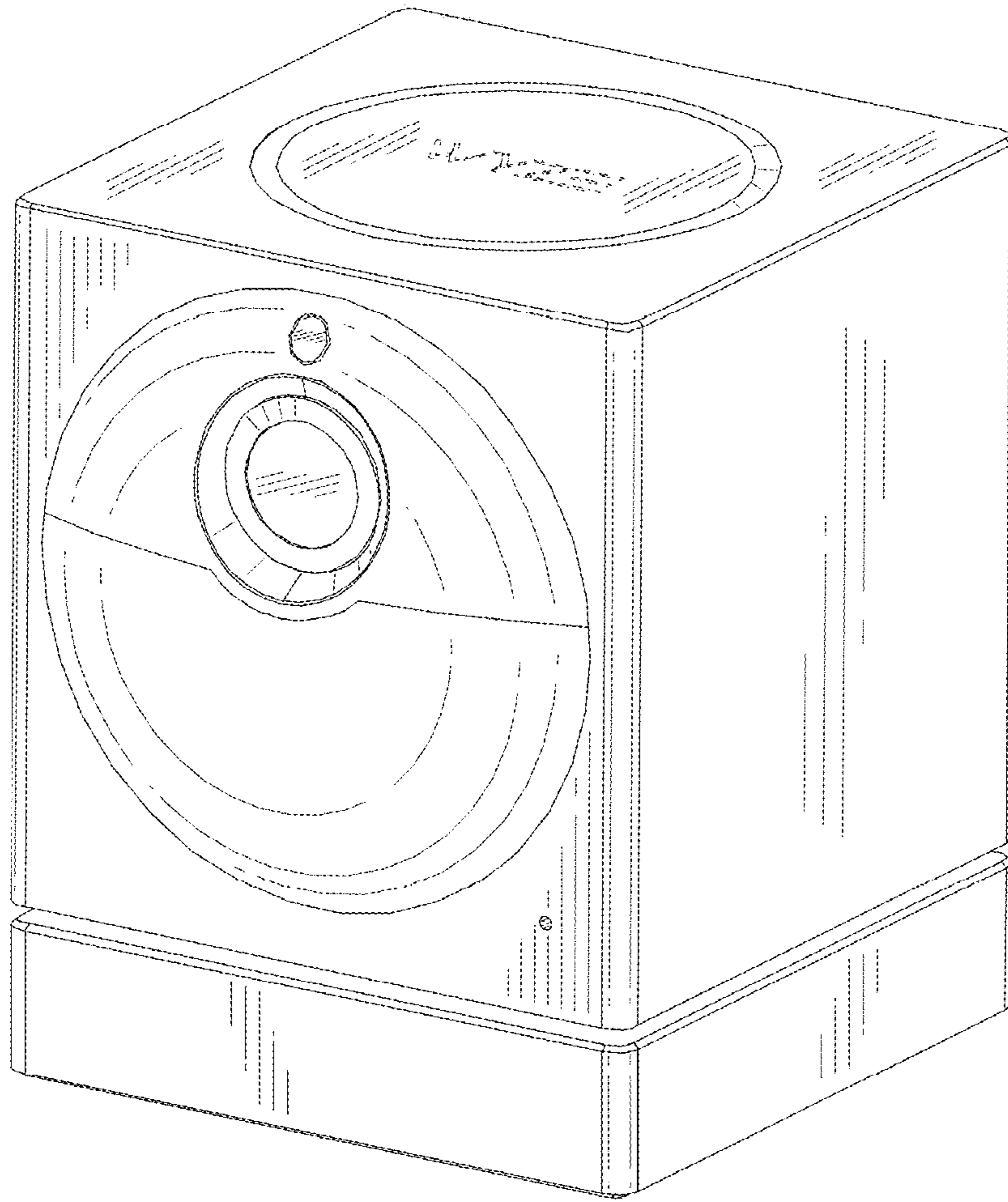


FIG. 7

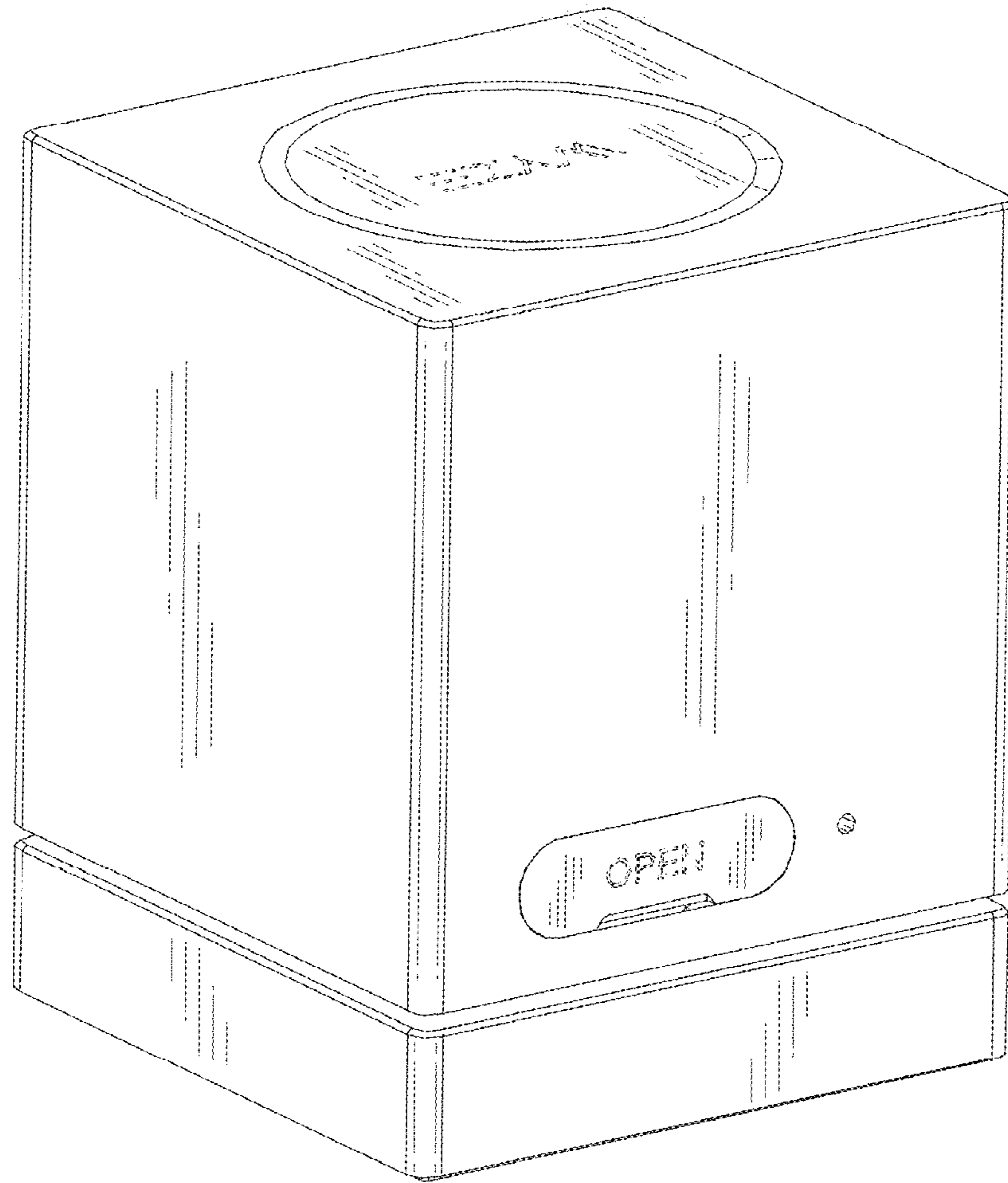


FIG. 8

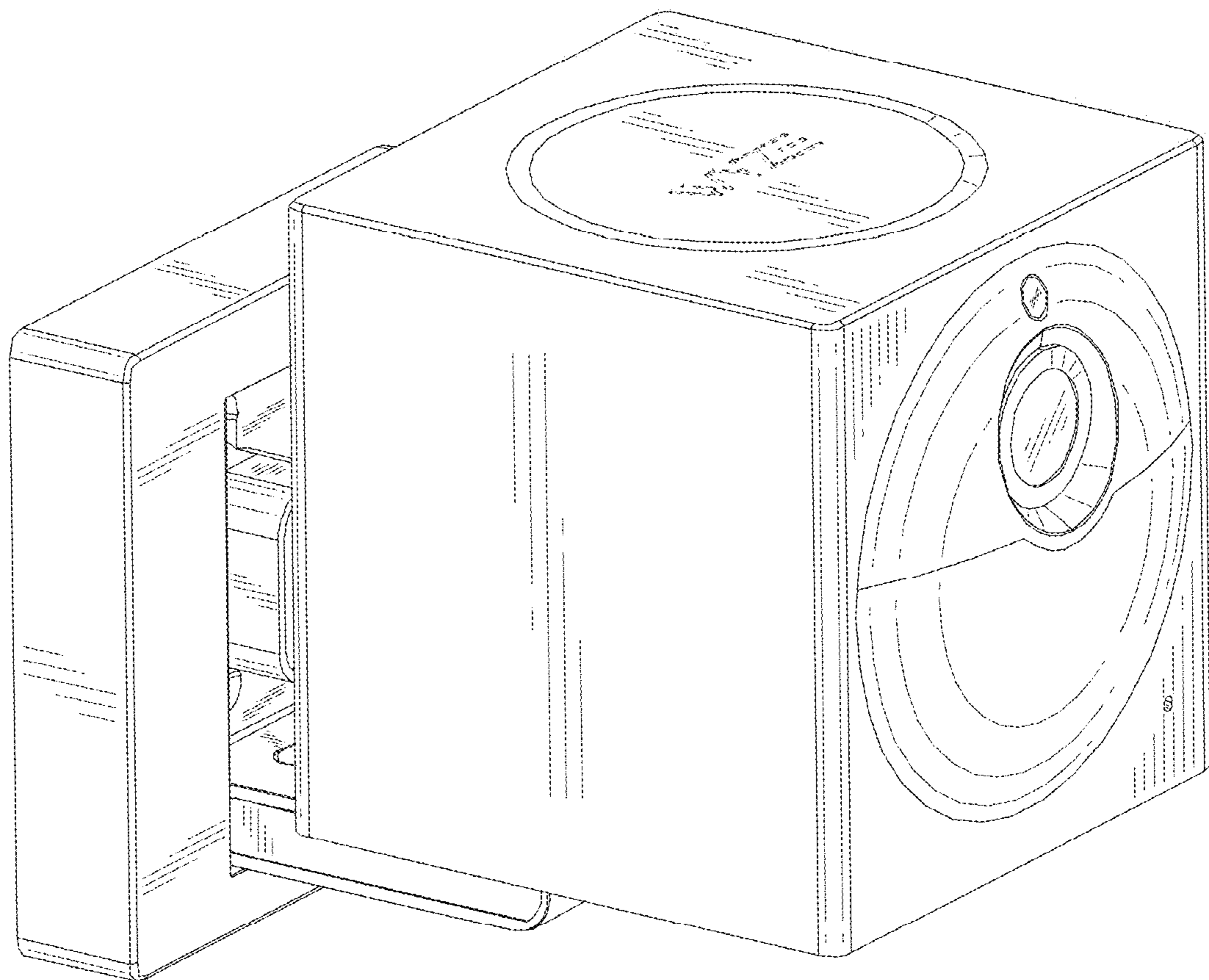


FIG. 9

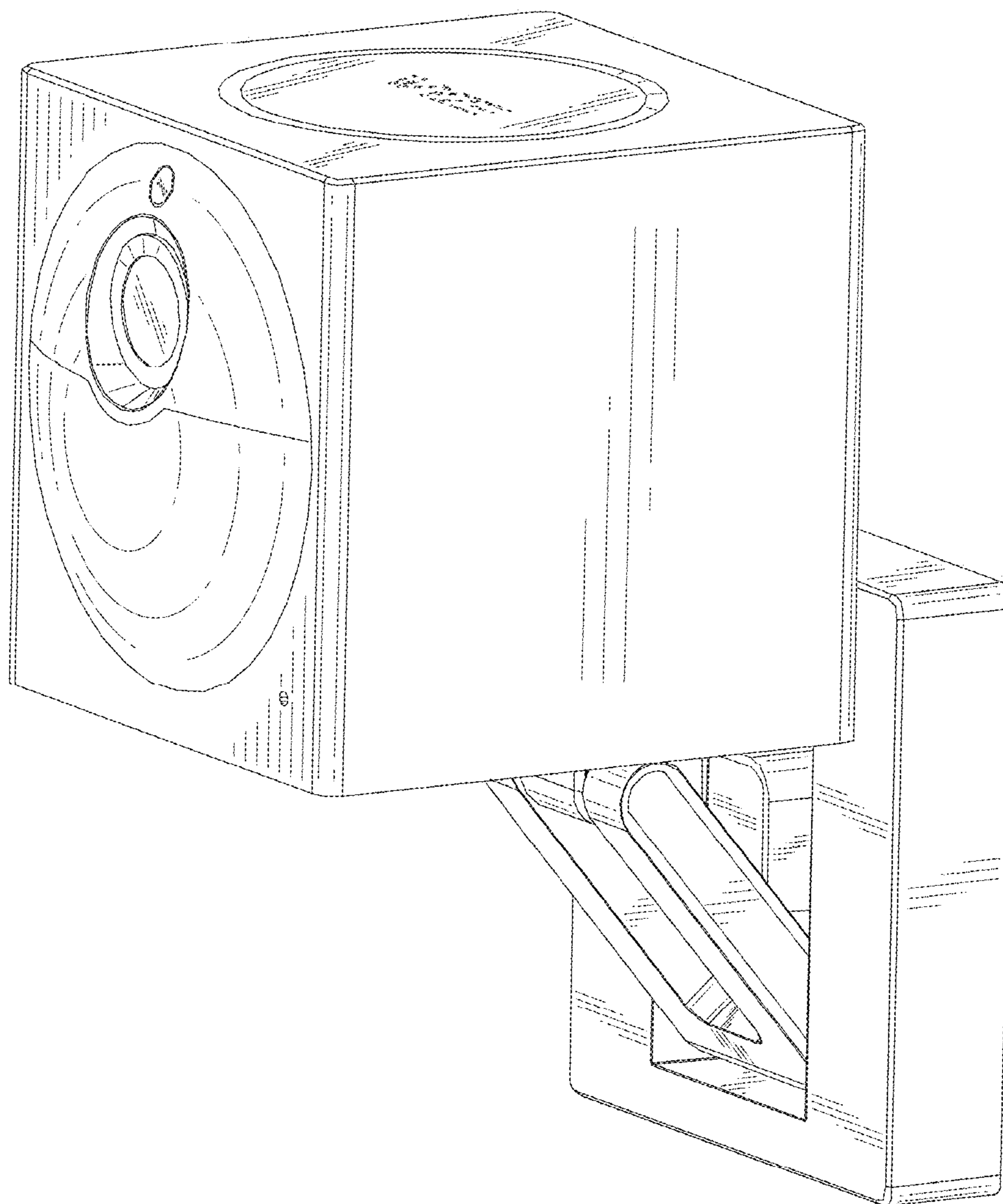


FIG. 10

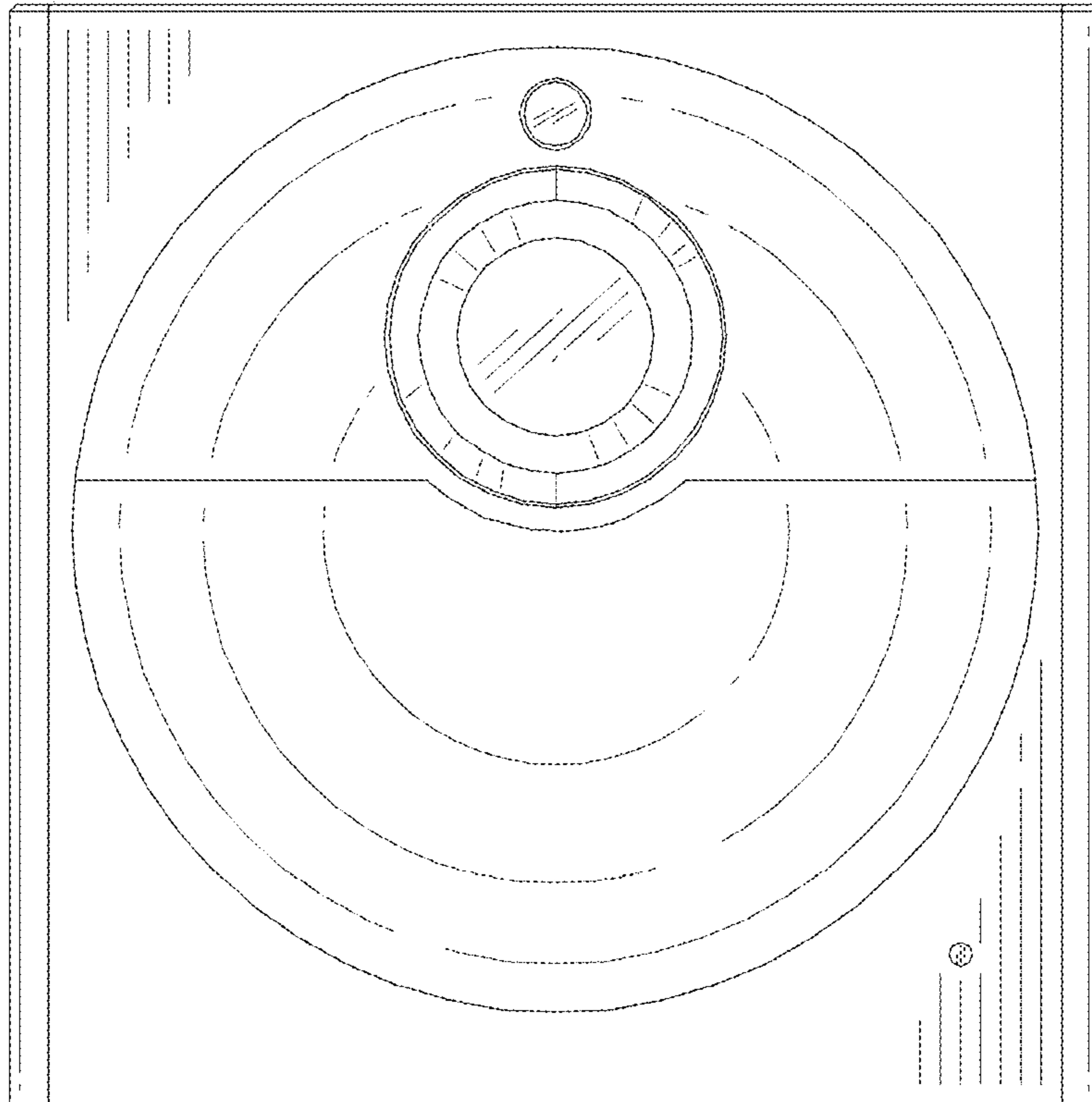


FIG. 11

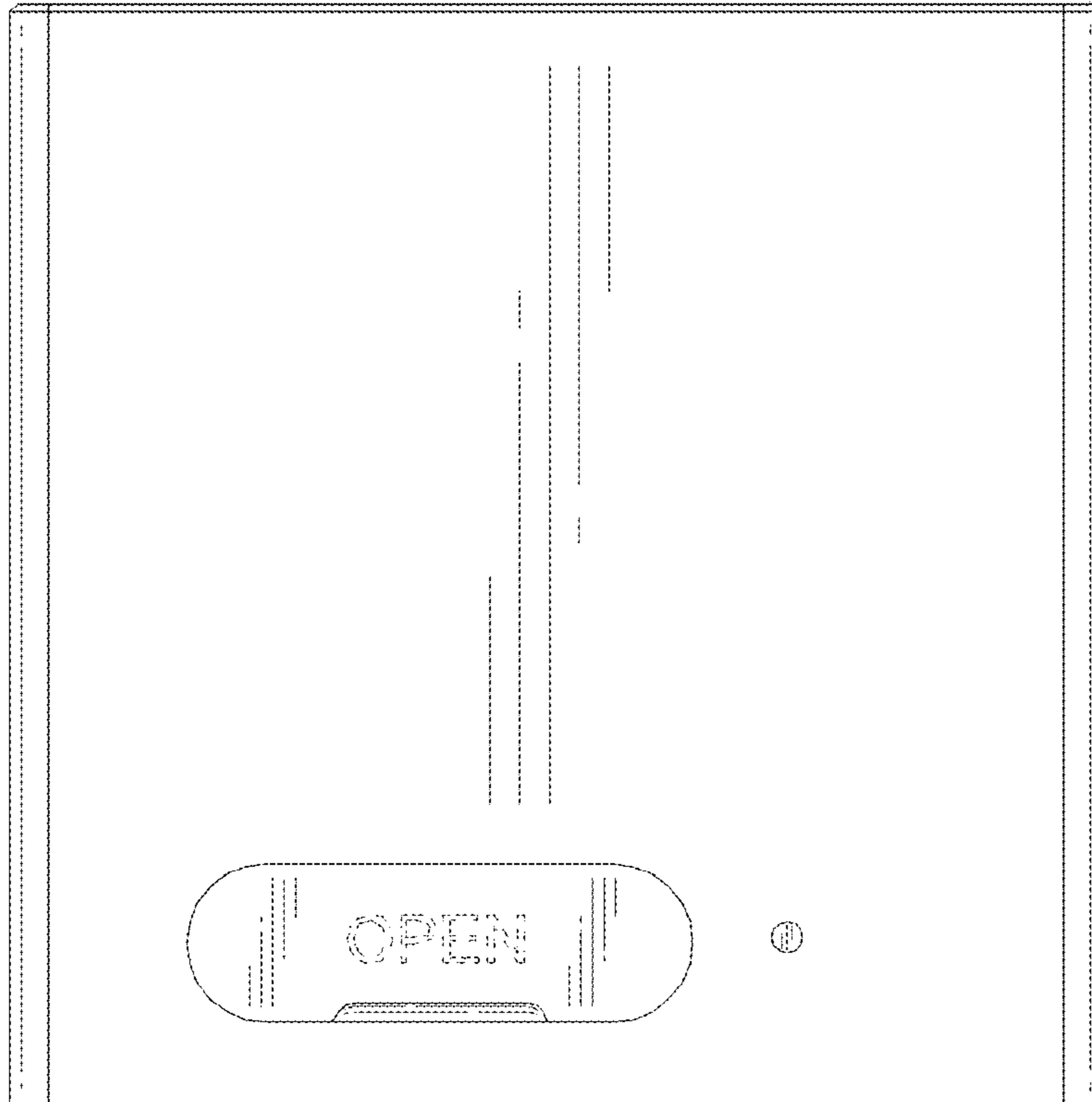


FIG. 12

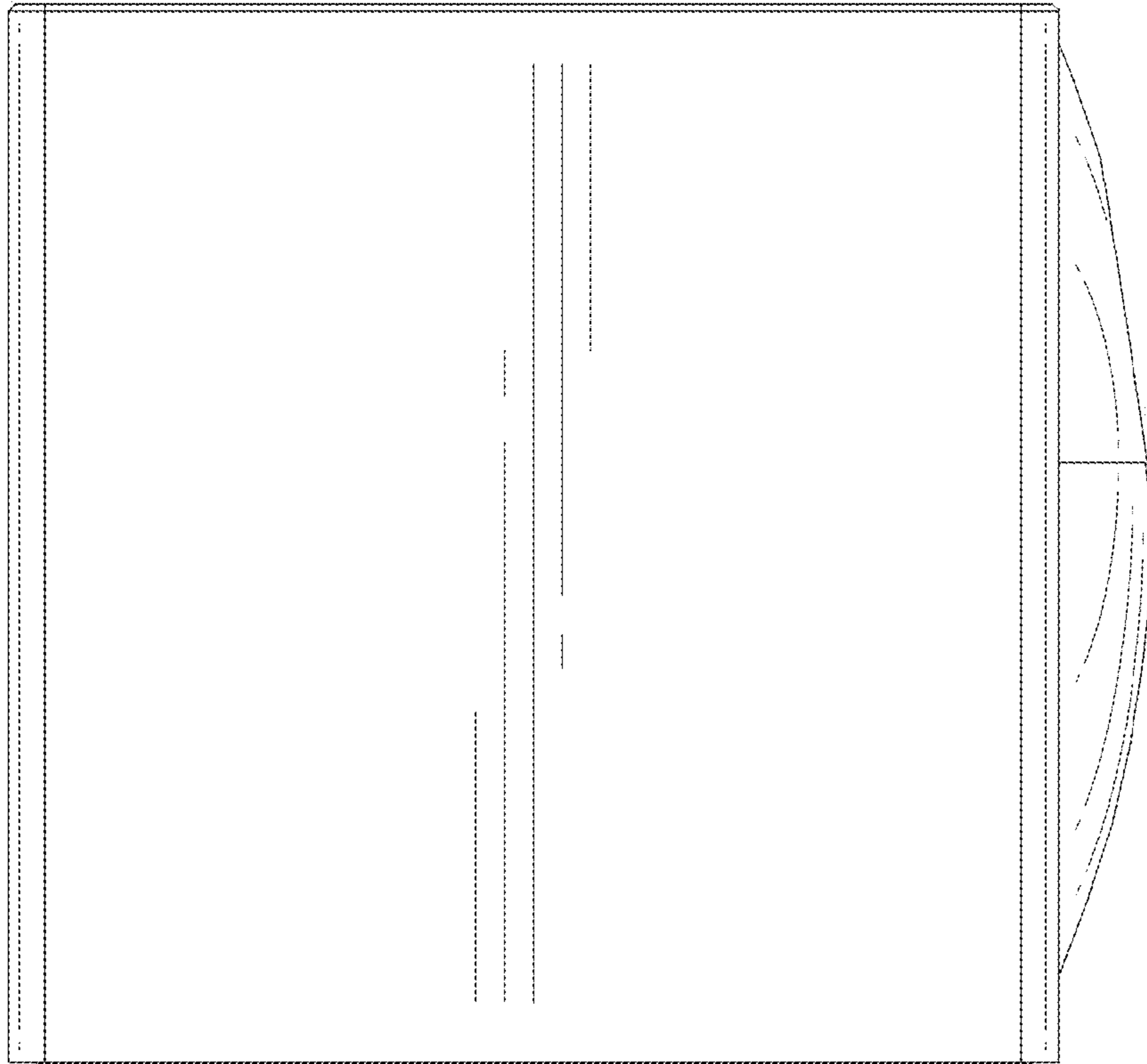


FIG. 13

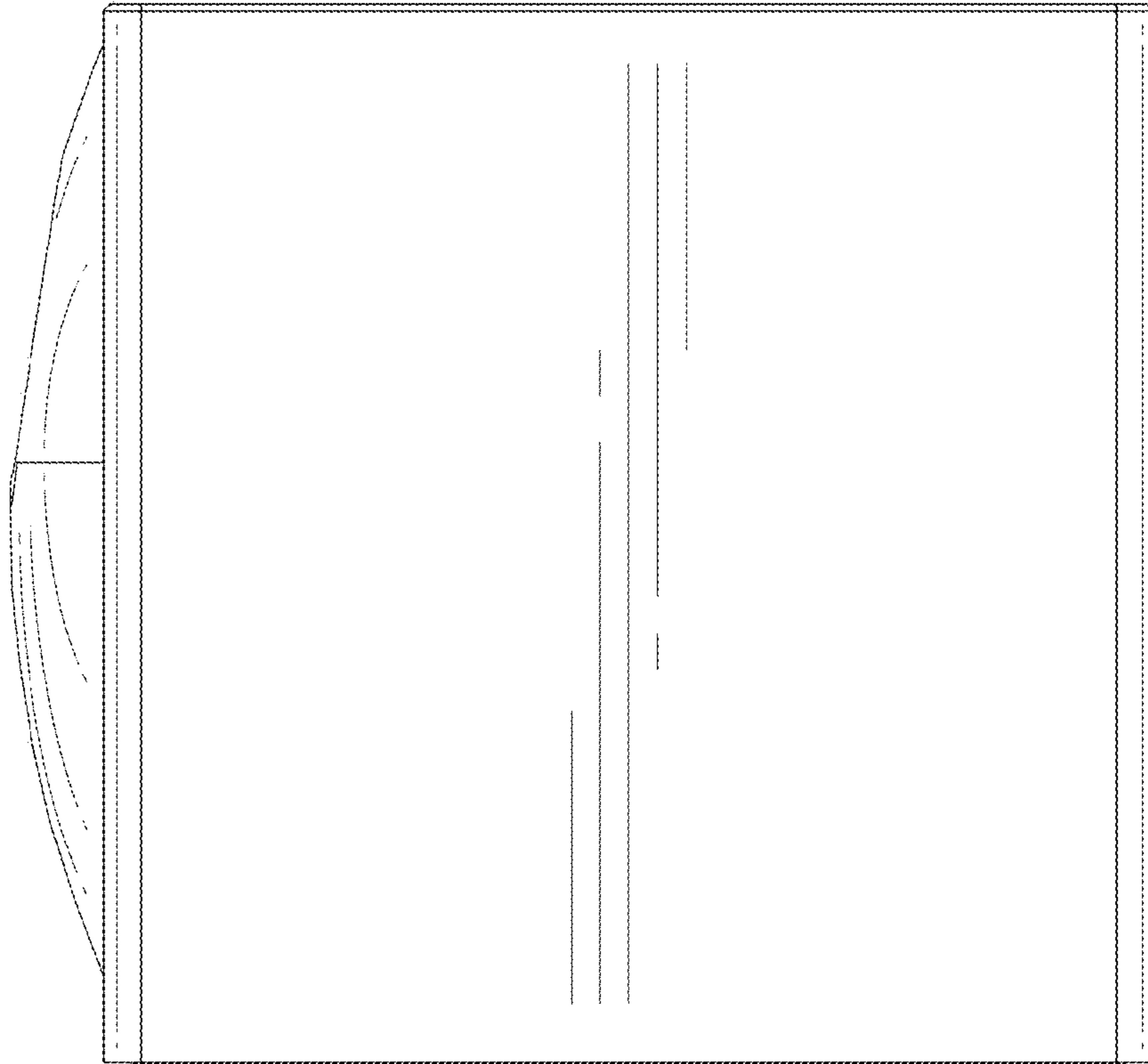


FIG. 14

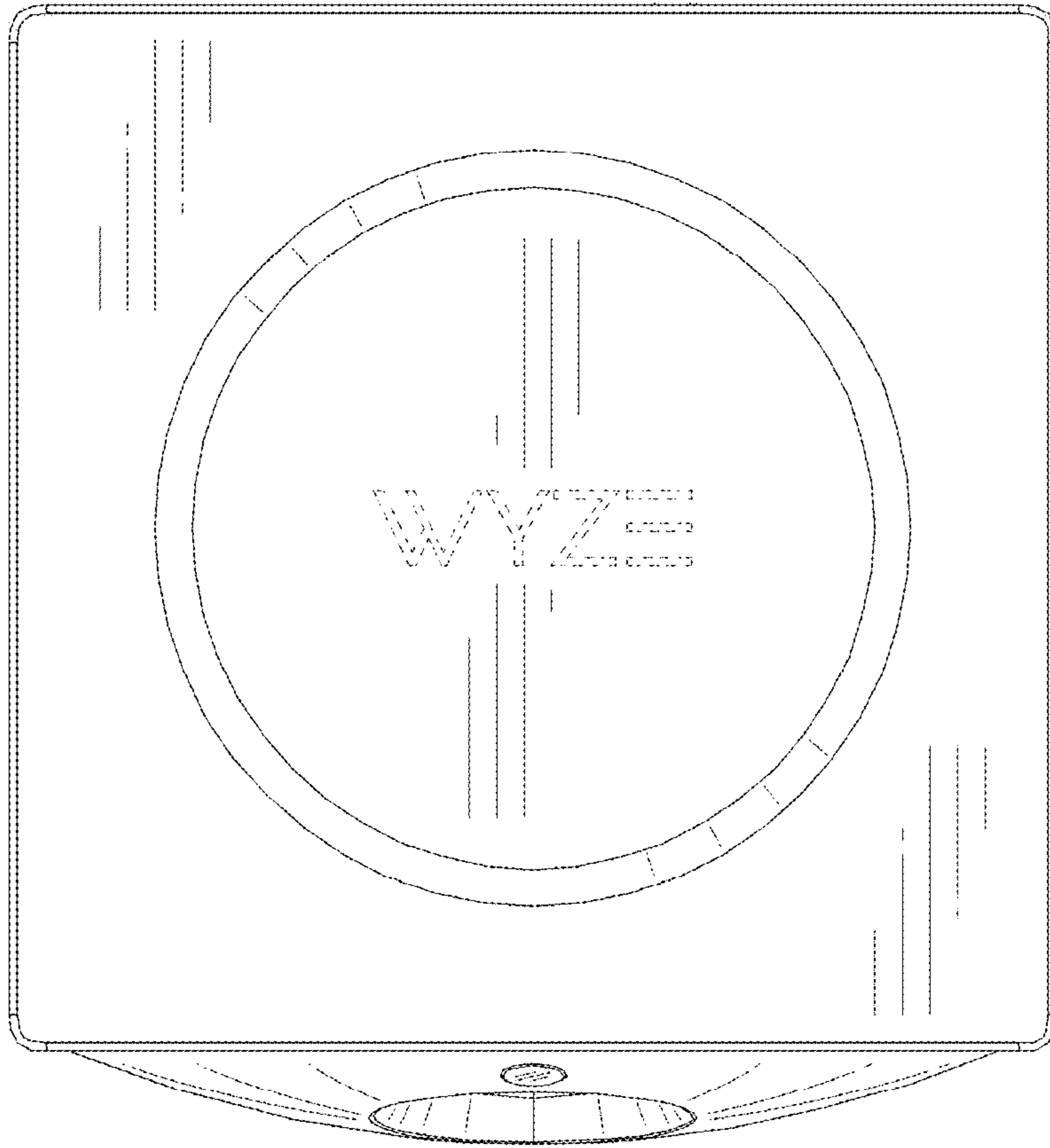


FIG. 15

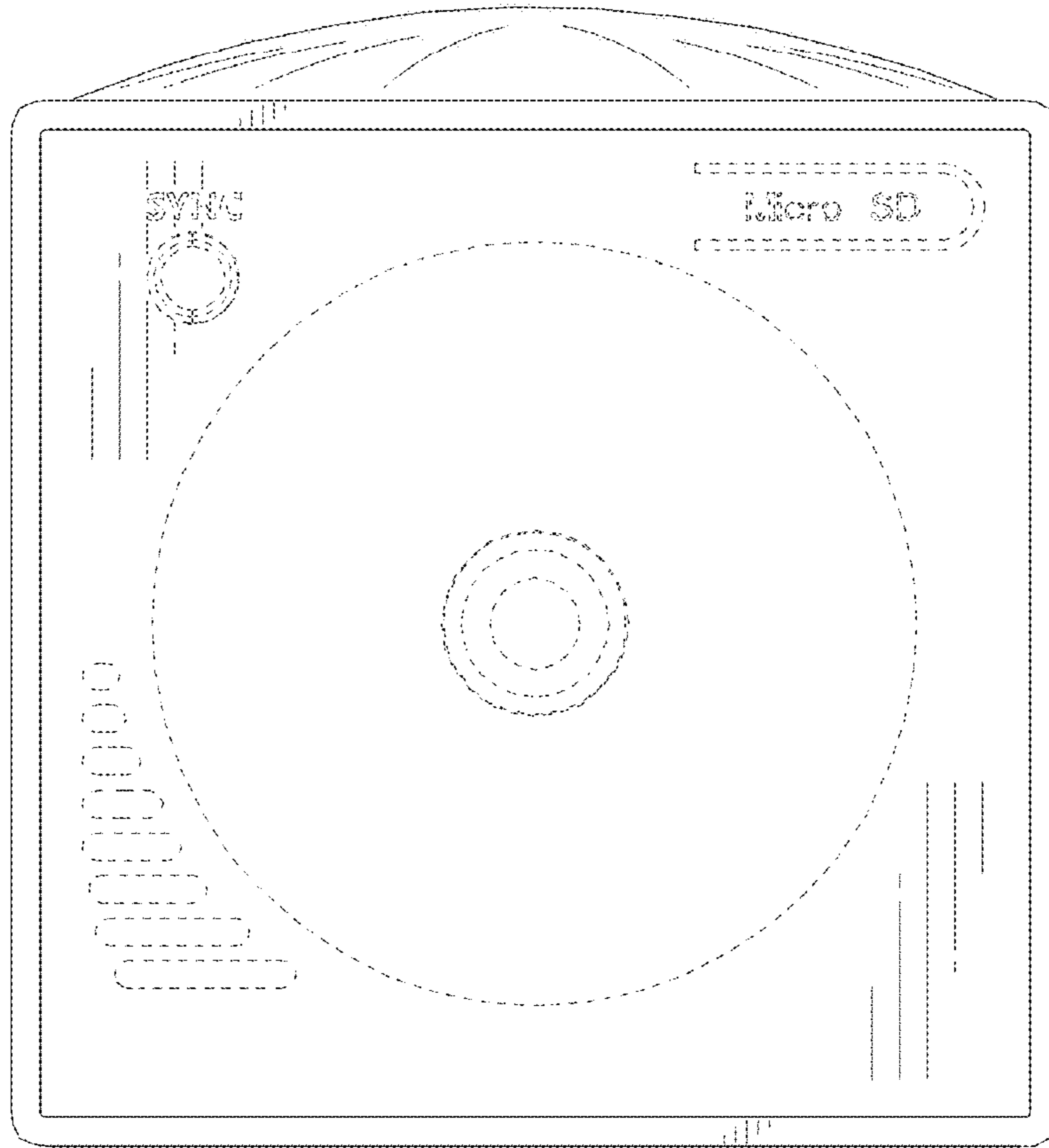


FIG. 16

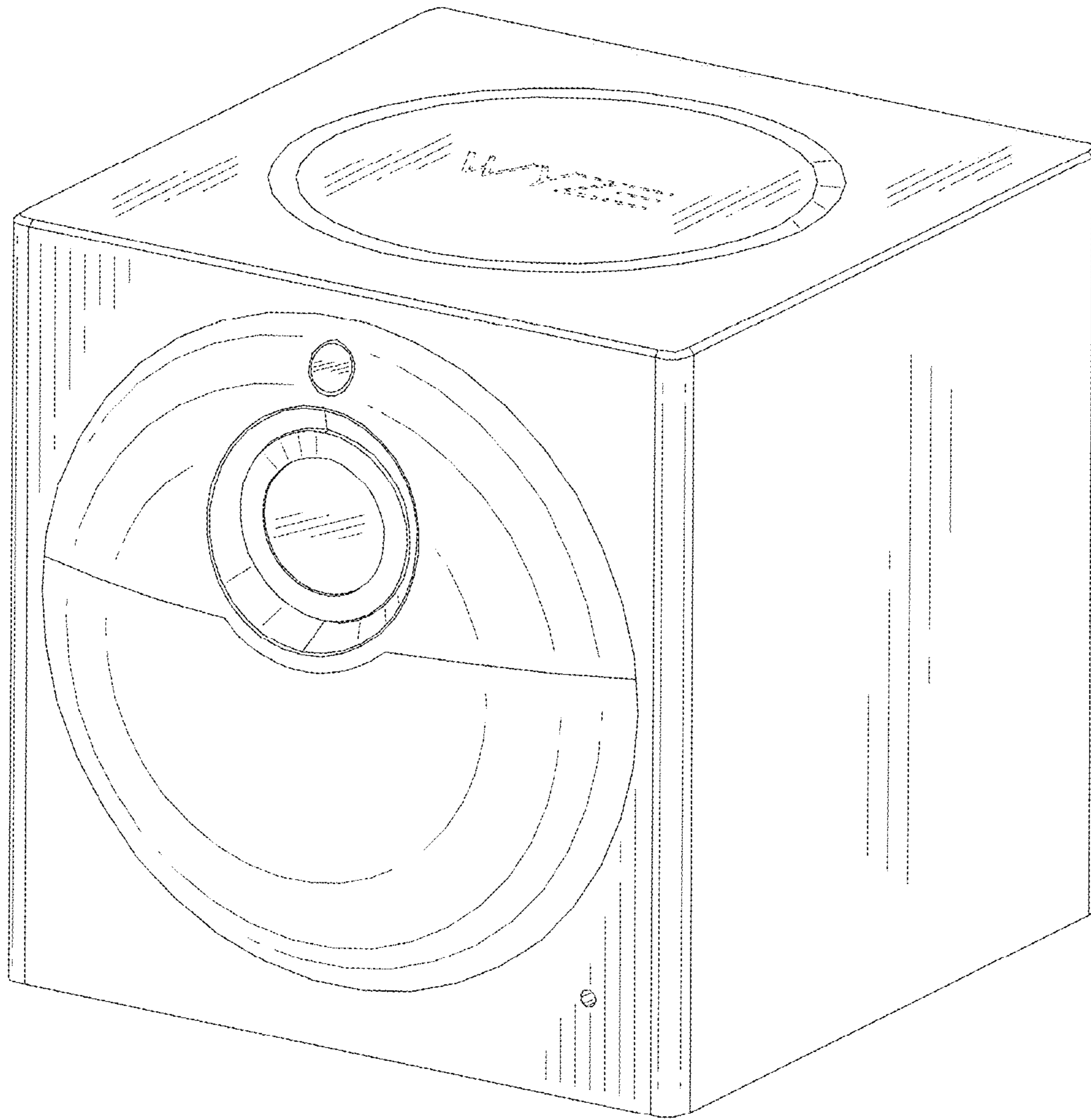


FIG. 17

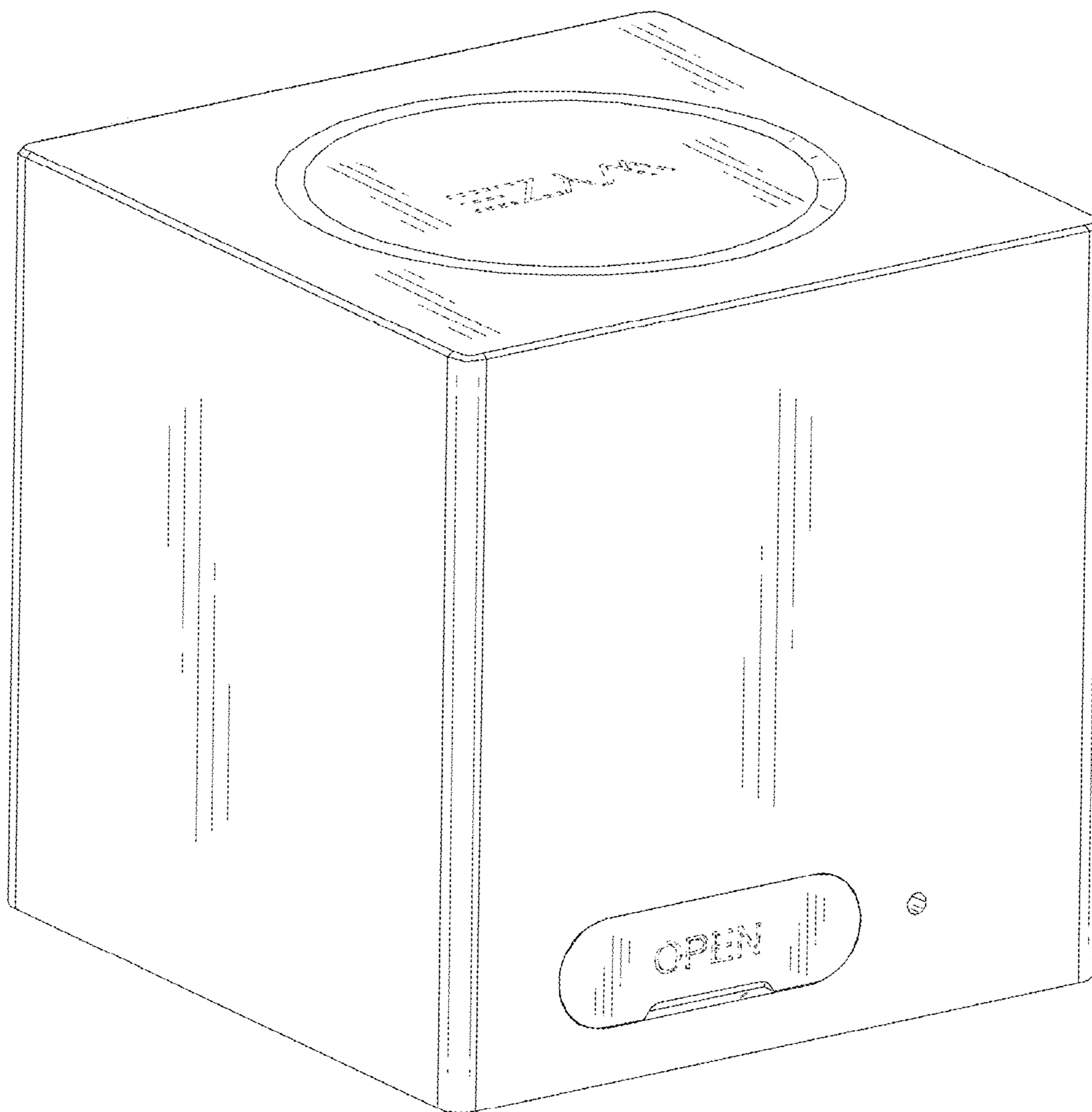


FIG. 18

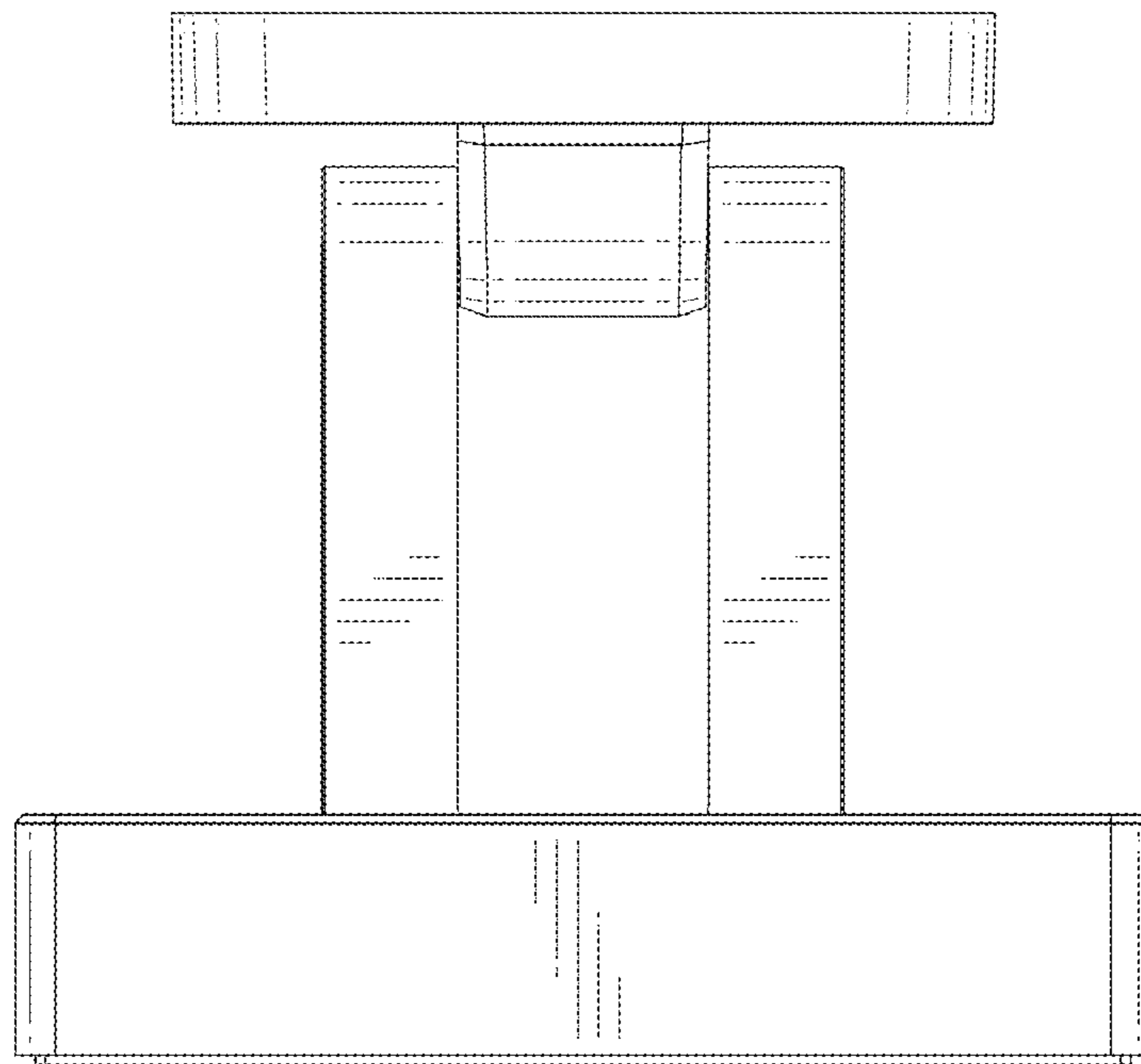


FIG. 19

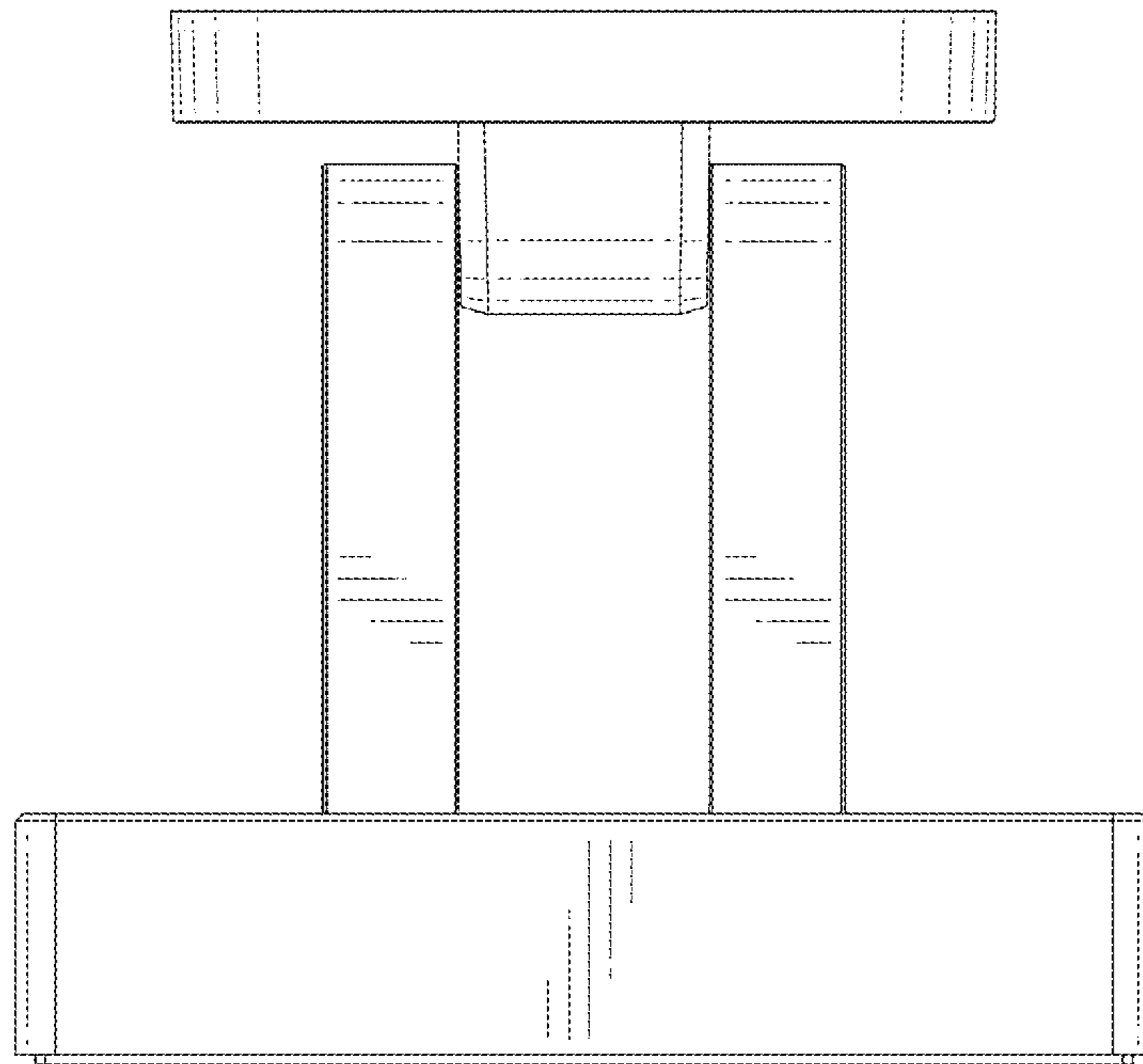


FIG. 20

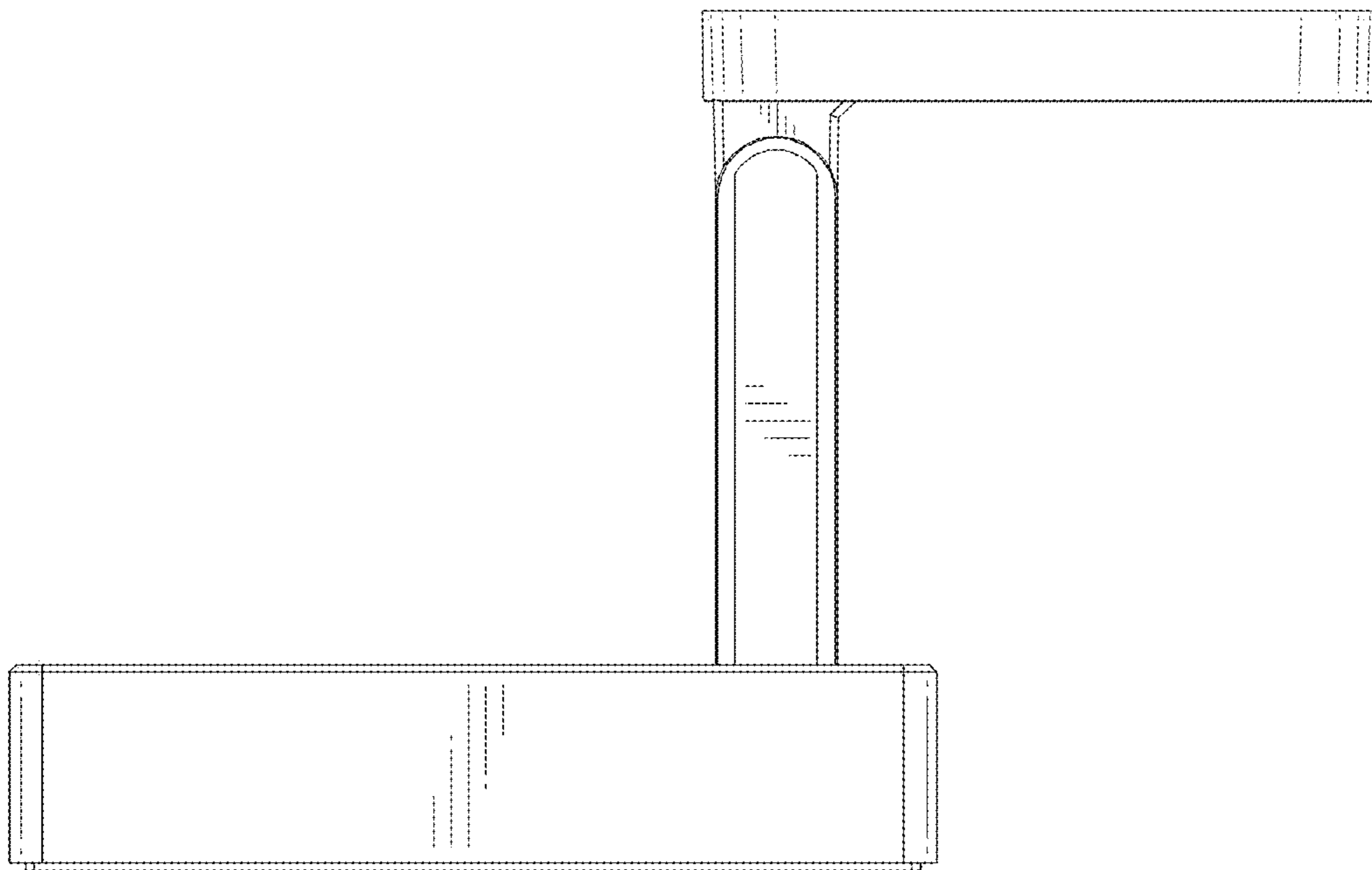


FIG. 21

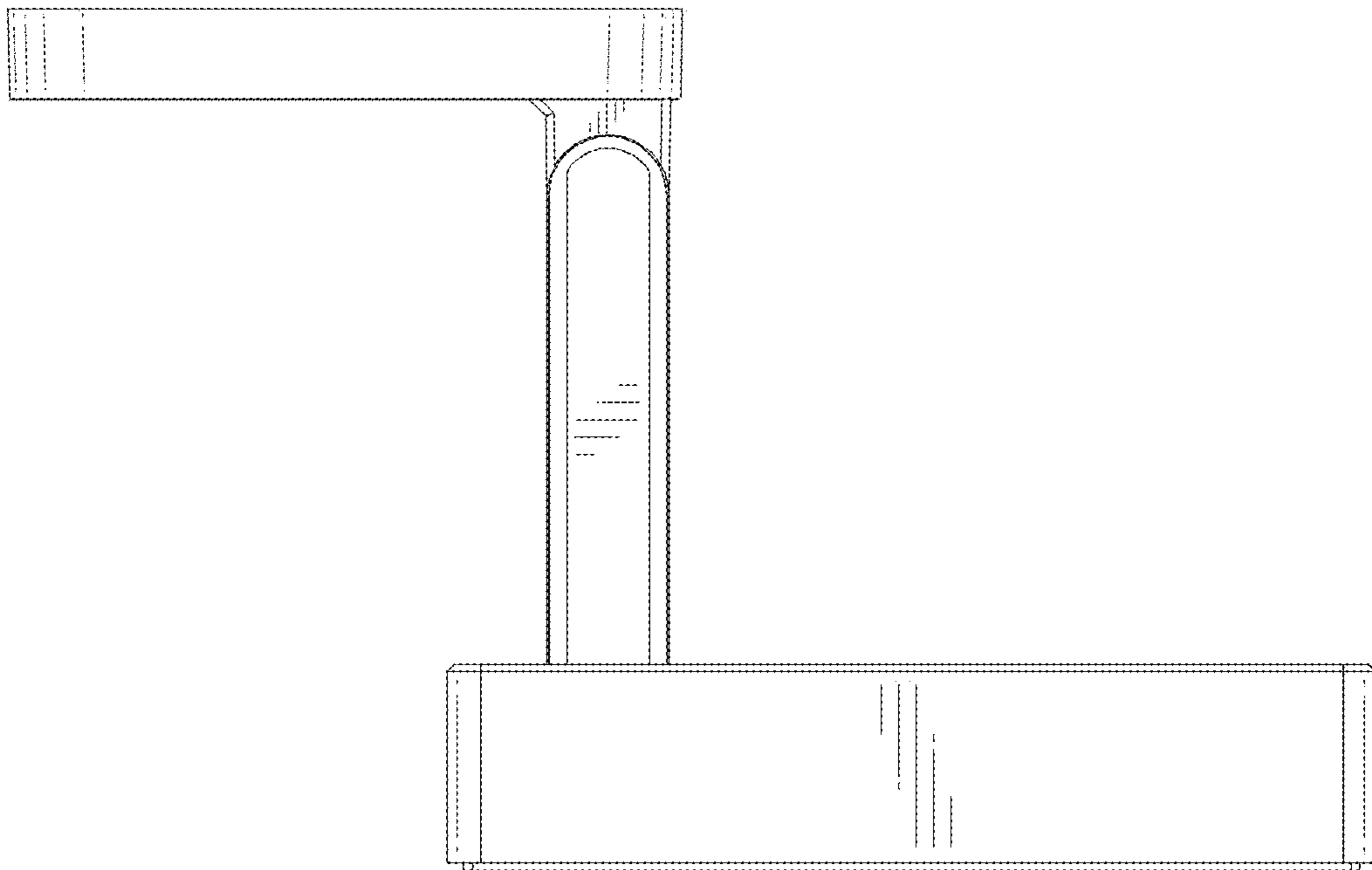


FIG. 22

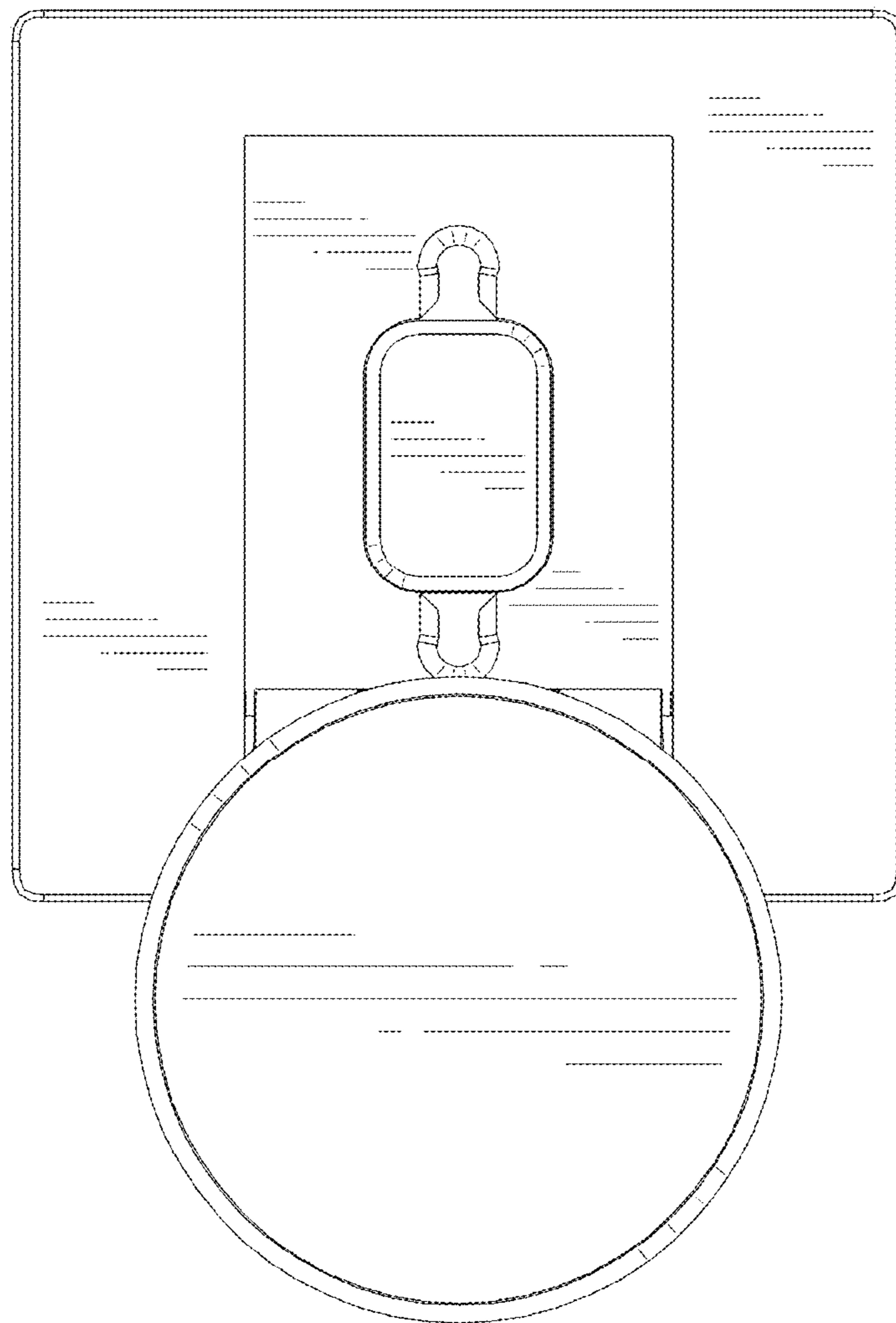


FIG. 23

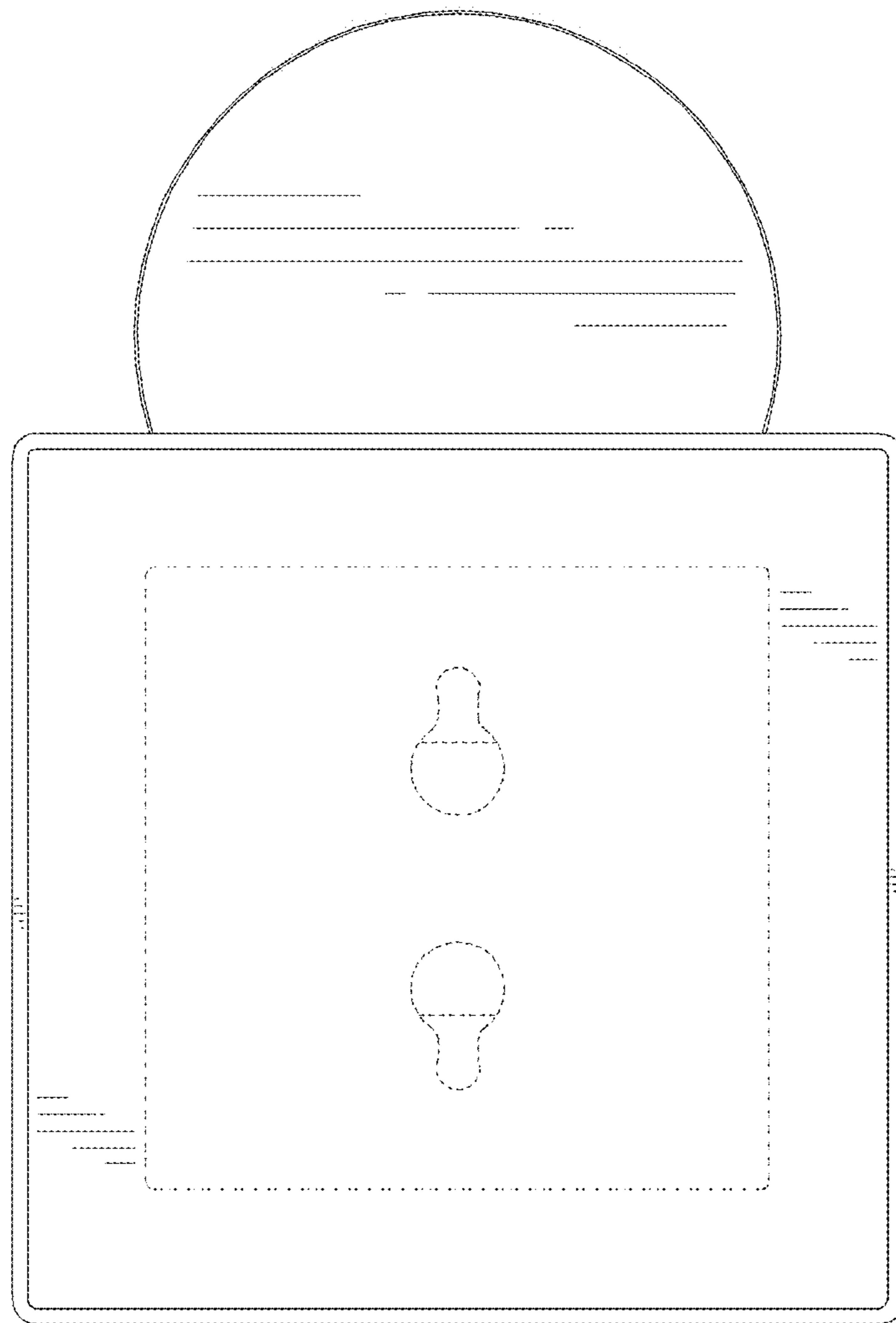


FIG. 24

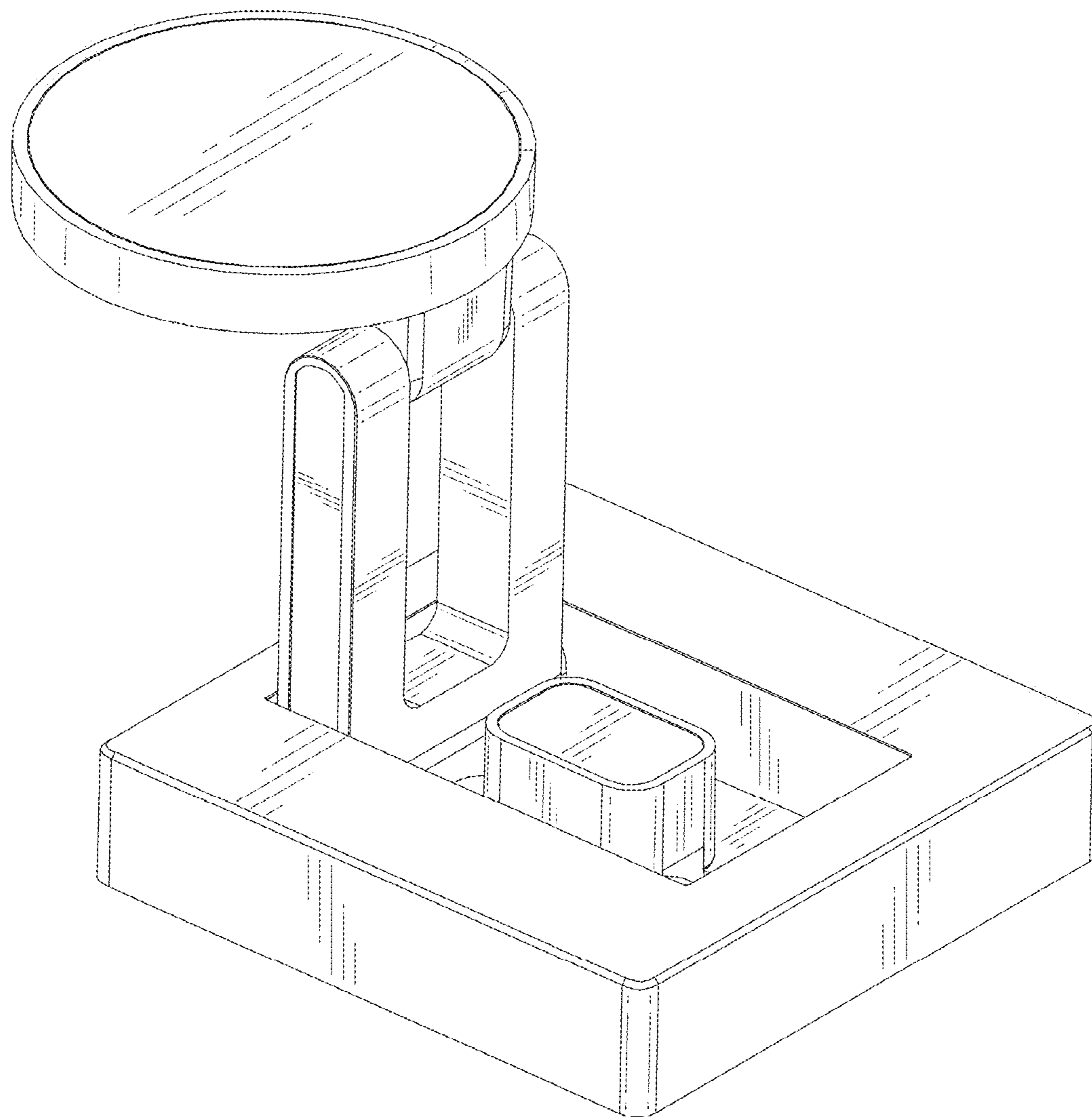


FIG. 25