



US00D917596S

(12) **United States Design Patent**
Takahashi

(10) **Patent No.:** **US D917,596 S**
(45) **Date of Patent:** **** Apr. 27, 2021**

(54) **DIGITAL CAMERA**

FOREIGN PATENT DOCUMENTS

(71) Applicant: **FUJIFILM Corporation**, Tokyo (JP)

JP 1533954 S 9/2015

(72) Inventor: **Keiichiro Takahashi**, Saitama (JP)

OTHER PUBLICATIONS

(73) Assignee: **FUJIFILM Corporation**, Tokyo (JP)

Communication dated Apr. 3, 2019 from the Japanese Patent Office in application No. 2018-008772.

(**) Term: **15 Years**

(Continued)

(21) Appl. No.: **29/667,193**

Primary Examiner — Dana K Weiland

(22) Filed: **Oct. 19, 2018**

Assistant Examiner — Mary Claire Ramirez

(30) **Foreign Application Priority Data**

(74) *Attorney, Agent, or Firm* — Sughrue Mion, PLLC

Apr. 20, 2018 (JP) 2018-008772
Apr. 20, 2018 (JP) 2018-008773

(51) **LOC (13) Cl.** **16-01**

(57) **CLAIM**

(52) **U.S. Cl.**
USPC **D16/202**

The ornamental design for a digital camera, as shown and described.

(58) **Field of Classification Search**

DESCRIPTION

USPC D16/200–220, 131, 132, 237, 242, 239,
D16/250, 235, 130, 134, 136, 238, 243;
D14/417, 138 C, 240, 248, 203.1, 203.3,
D14/203.7, 218, 207, 440, 402, 454, 407,
D14/408, 252, 253; D10/104.1, 50, 65,
D10/74, 70, 118.2, 66; D30/199;
D29/102, 122, 103; D3/269, 267;
D12/187
CPC G03B 17/00; G03B 17/02; G03B 17/56;
G03B 17/04; G03B 17/14; G03B 17/08;
G03B 15/03; G03B 15/06; H04N
1/00981; H04N 5/2251; H04N 5/2252;
H04N 5/2253; H04N 5/2254; H04N
5/23238; H04N 7/00; H04N 13/239;
H04N 2101/00; F16M 13/00
See application file for complete search history.

FIG. 1 is a front-left perspective view of a first embodiment of a digital camera showing my new design;
FIG. 2 is a rear-left perspective view thereof;
FIG. 3 is a front view thereof;
FIG. 4 is a rear view thereof;
FIG. 5 is a top plan view thereof;
FIG. 6 is a bottom plan view thereof;
FIG. 7 is a right side view thereof;
FIG. 8 is a left side view thereof;
FIG. 9 is a front-left perspective view of a second embodiment of the digital camera showing my new design;
FIG. 10 is a rear-left perspective view thereof;
FIG. 11 is a front view thereof;
FIG. 12 is a rear view thereof;
FIG. 13 is a top plan view thereof;
FIG. 14 is a bottom plan view thereof;
FIG. 15 is a right side view thereof; and,
FIG. 16 is a left side view thereof.

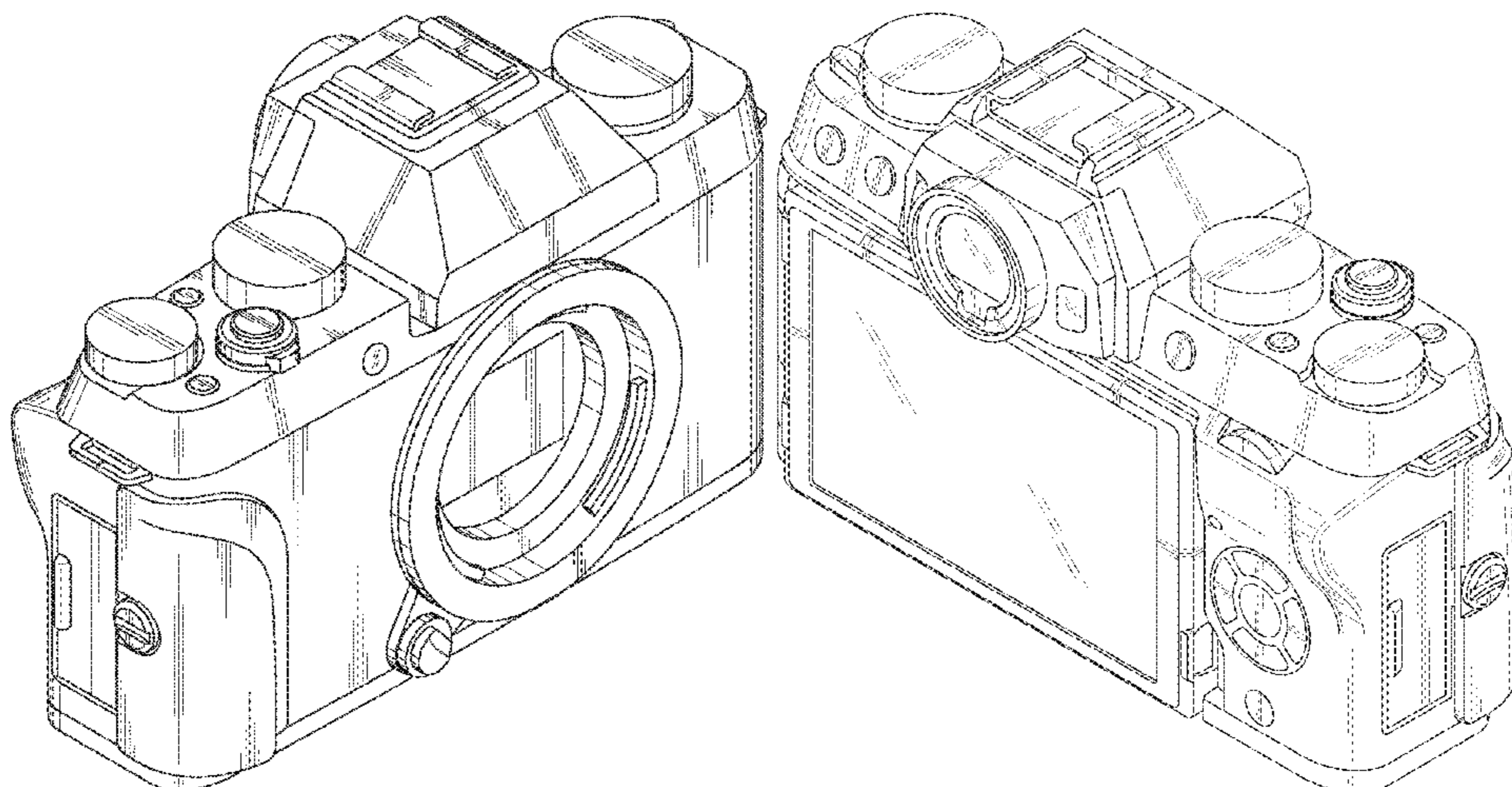
(56) **References Cited**

U.S. PATENT DOCUMENTS

D267,722 S * 1/1983 Schreiber D16/217
D283,713 S * 5/1986 Maitani D16/217

(Continued)

1 Claim, 14 Drawing Sheets



(56)

References Cited

U.S. PATENT DOCUMENTS

D413,346 S * 8/1999 Haga D16/217
 D419,171 S * 1/2000 Kato D16/200
 D524,346 S * 7/2006 Haga D16/202
 D542,321 S * 5/2007 Takahashi D16/202
 D547,786 S * 7/2007 Tainaka D16/202
 D564,561 S * 3/2008 Takahashi D16/200
 D604,349 S * 11/2009 Miyashita D16/206
 D605,679 S * 12/2009 Hayashi D16/206
 D609,730 S * 2/2010 Nakamura D16/202
 D639,325 S * 6/2011 Yamauchi D16/202
 D648,363 S * 11/2011 Takagi D16/134
 D654,943 S * 2/2012 Ogasawara D16/202
 D657,408 S * 4/2012 Tainaka D16/202
 D681,090 S * 4/2013 Tainaka D16/200
 D683,382 S * 5/2013 Tainaka D16/200
 D689,914 S * 9/2013 Uemachi D16/202
 D695,808 S * 12/2013 Takahashi D16/202
 D698,839 S * 2/2014 Sato D16/200
 D720,787 S * 1/2015 Tainaka D16/202
 D723,084 S * 2/2015 Awazu D16/219
 D727,990 S * 4/2015 Sakai D16/202
 D736,300 S * 8/2015 Nagaoka D16/219
 D738,418 S * 9/2015 Imai D16/202
 D749,659 S * 2/2016 Kamei D16/202
 D749,664 S * 2/2016 Kamei D16/219
 D754,771 S * 4/2016 Nohara D16/219

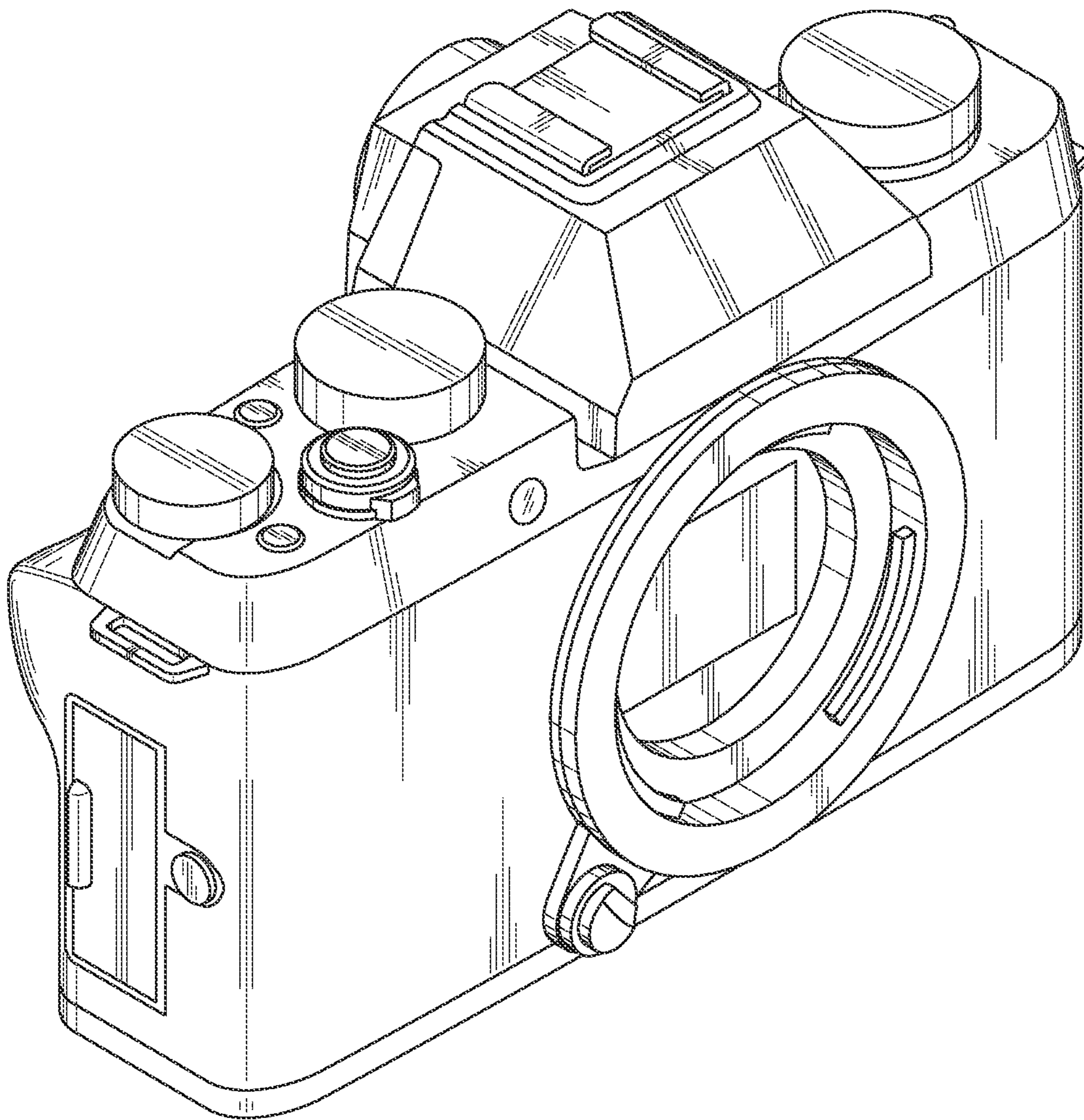
D777,233 S * 1/2017 Sakai D16/202
 D779,575 S * 2/2017 Kobayashi D16/202
 D807,941 S * 1/2018 Kamei D16/202
 D852,254 S * 6/2019 Saito D16/202
 D873,880 S * 1/2020 Imai D16/202
 D884,774 S * 5/2020 Kamei D16/219
 D885,465 S * 5/2020 Kitade D16/219
 D892,902 S * 8/2020 Kamei D16/219
 D894,249 S * 8/2020 Kamei D16/202
 D898,101 S * 10/2020 Takagi D16/219
 D898,102 S * 10/2020 Takagi D16/219
 D904,481 S * 12/2020 Imai D16/202
 2013/0100336 A1 * 4/2013 Shintani H04N 5/23209
 348/345
 2015/0104164 A1 * 4/2015 Yasuda G03B 17/14
 396/479
 2018/0224722 A1 * 8/2018 Pan G03B 17/14
 2019/0098181 A1 * 3/2019 Saiki G03B 17/02
 2019/0116319 A1 * 4/2019 Tokiwa H04N 5/23216
 2019/0129282 A1 * 5/2019 Hasegawa H04N 5/2354
 2019/0280516 A1 * 9/2019 Shimaya H02J 9/00
 2019/0373161 A1 * 12/2019 Hasegawa G03B 17/02

OTHER PUBLICATIONS

Communication dated Apr. 4, 2019 from the Japanese Patent Office in counterpart application No. 2018-008773.

* cited by examiner

FIG. 1



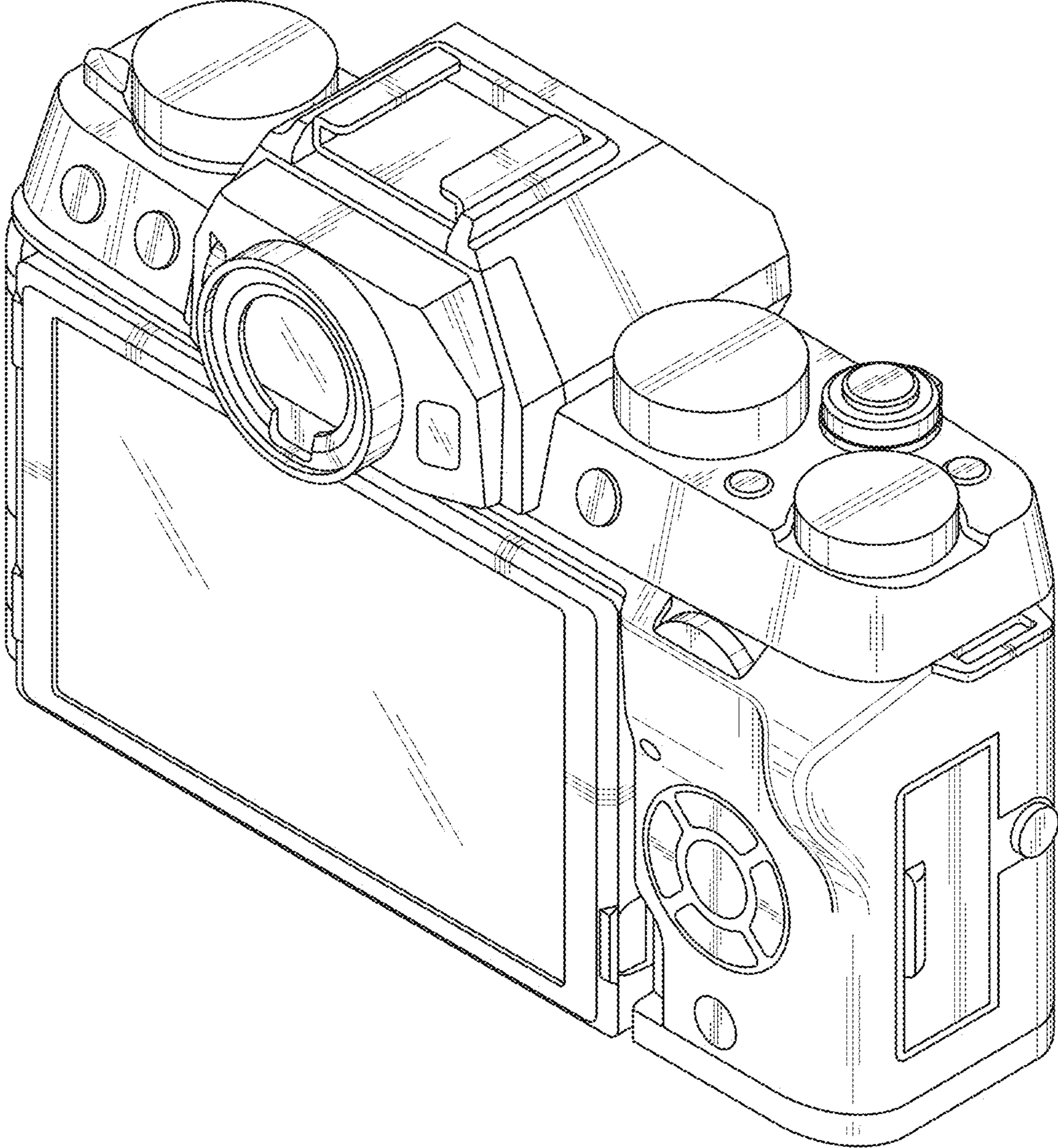
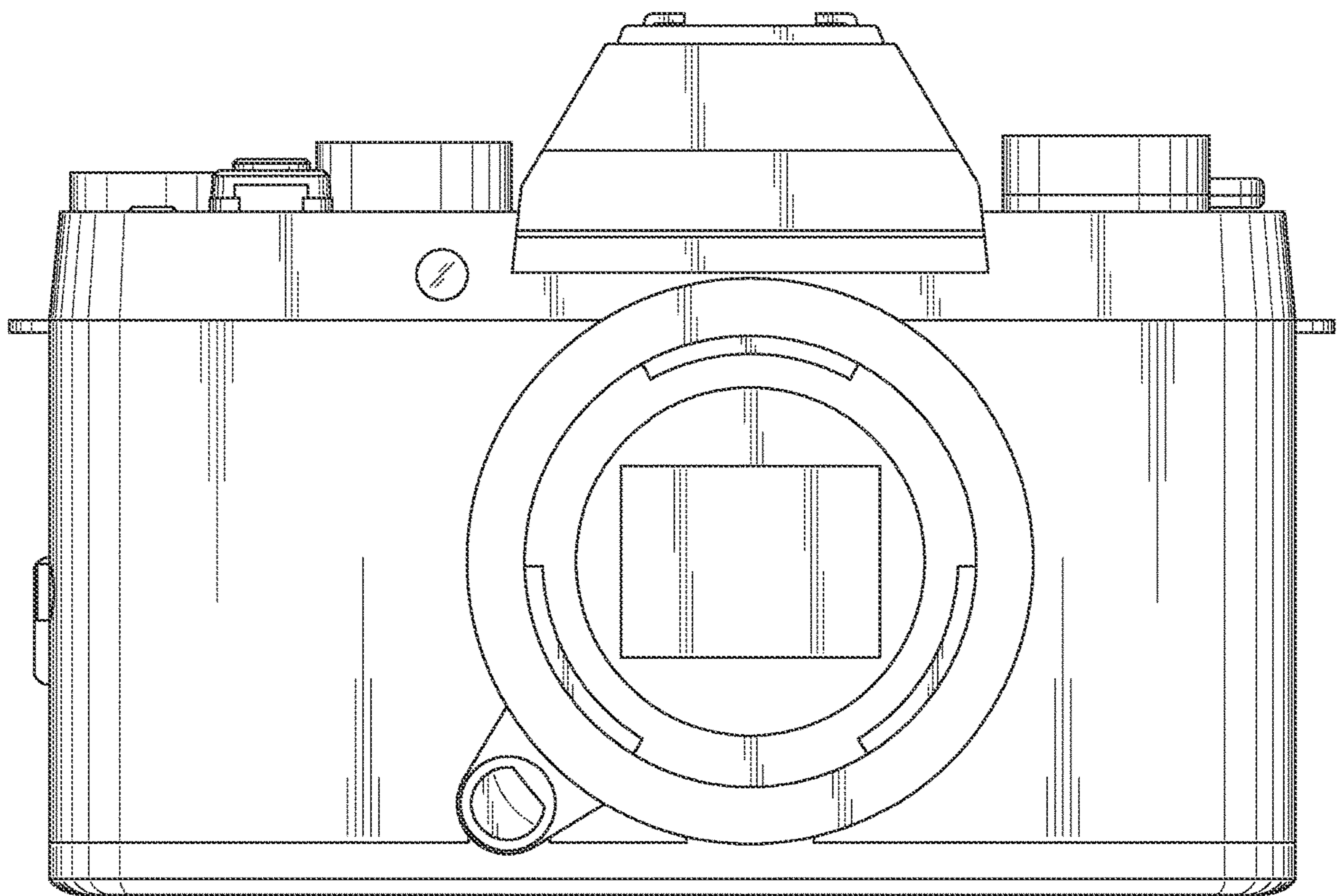


FIG. 2

FIG. 3



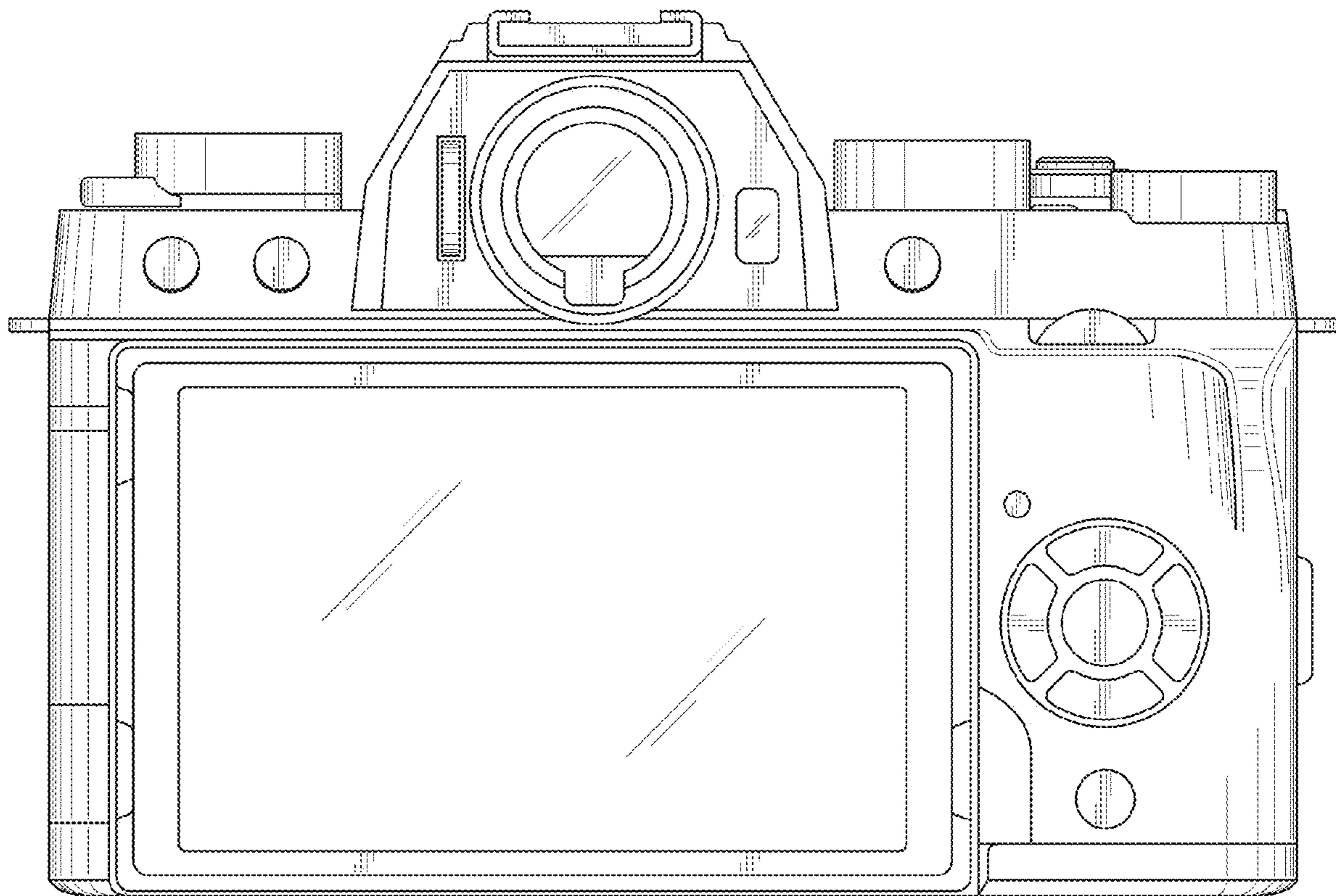


FIG. 4

FIG. 5

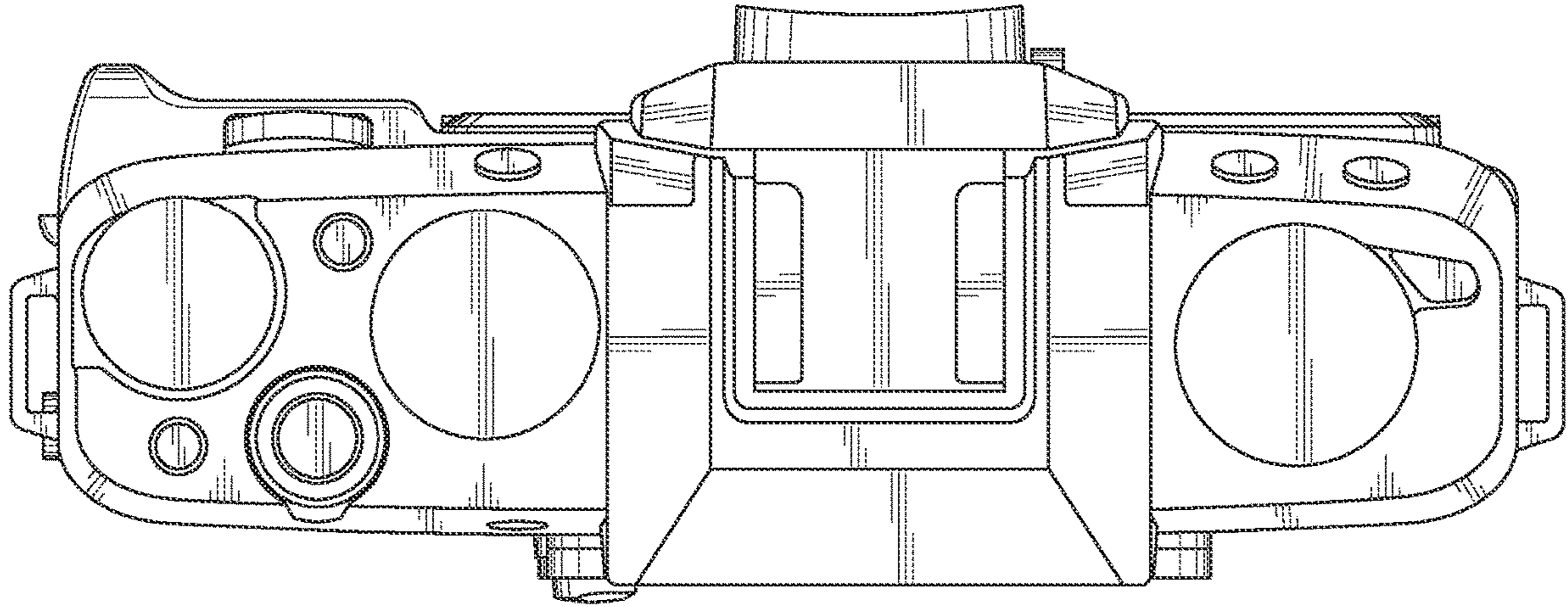


FIG. 6

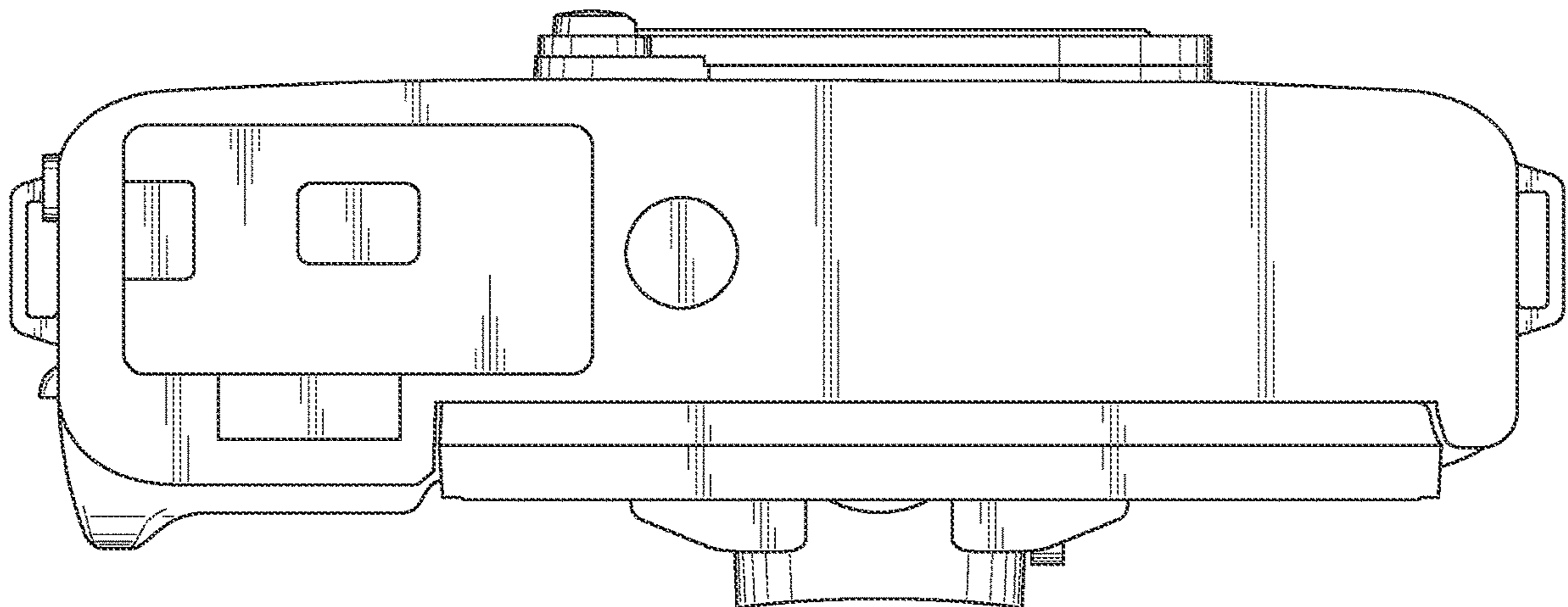


FIG. 7

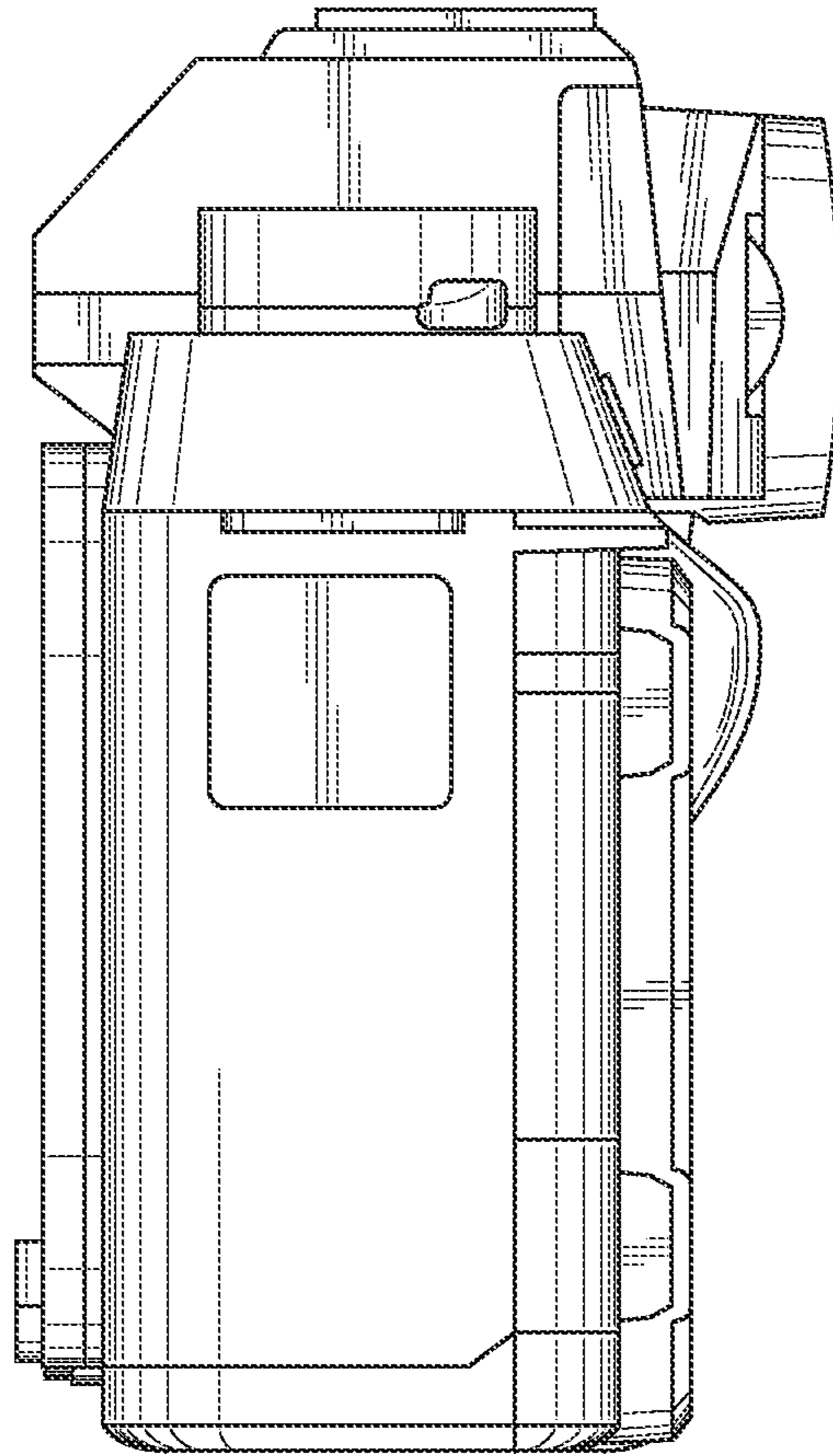


FIG. 8

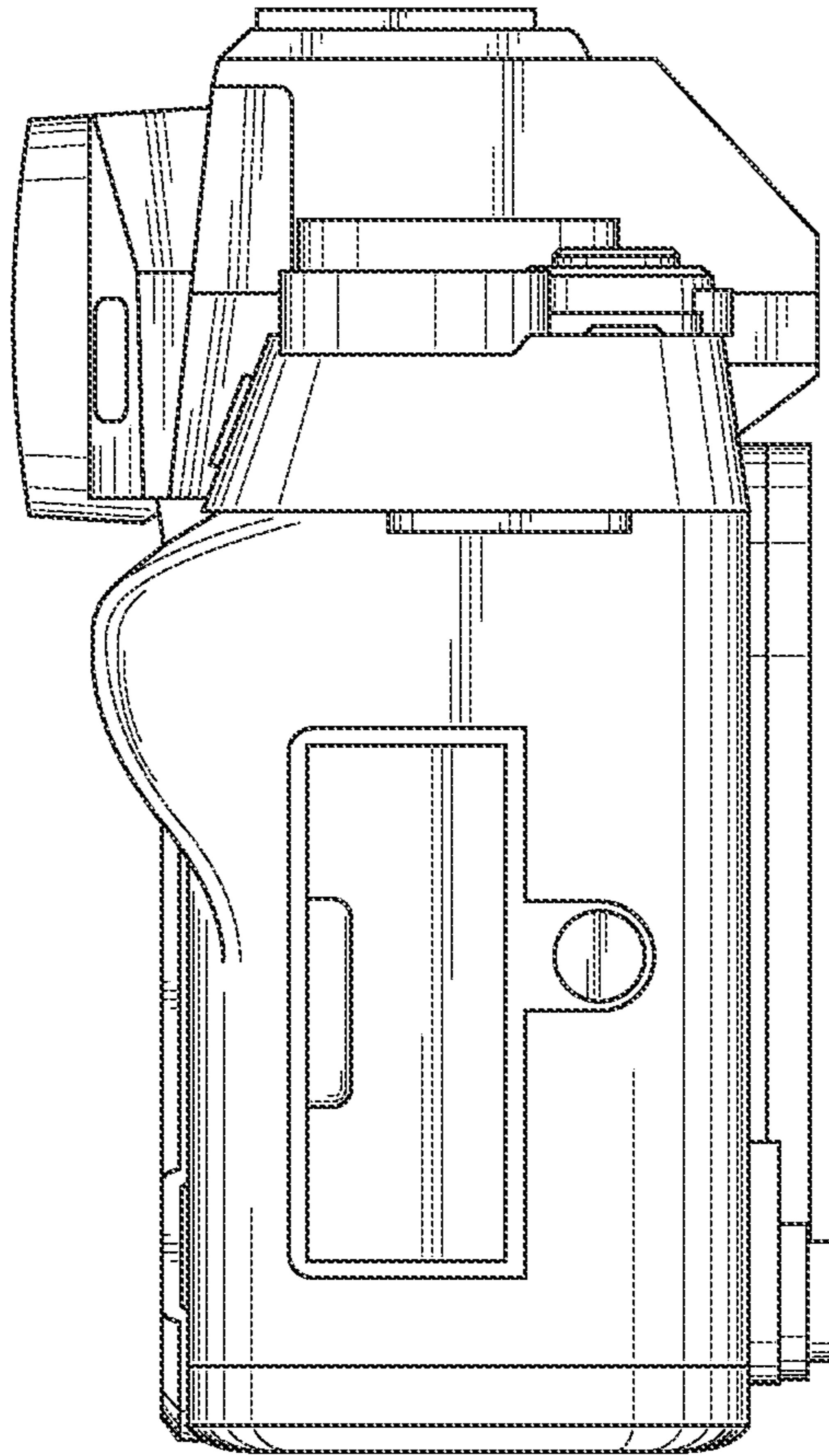
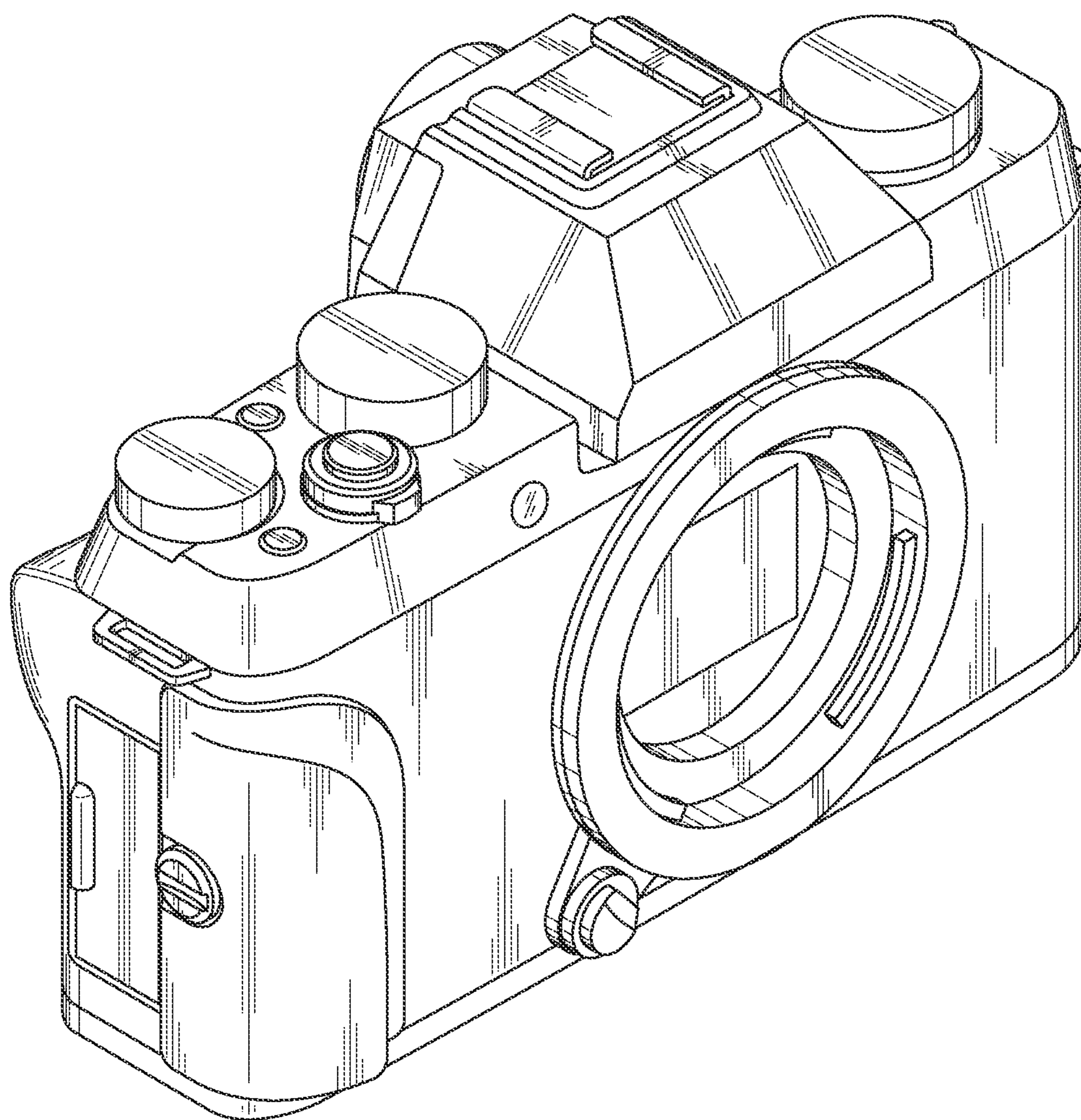


FIG. 9



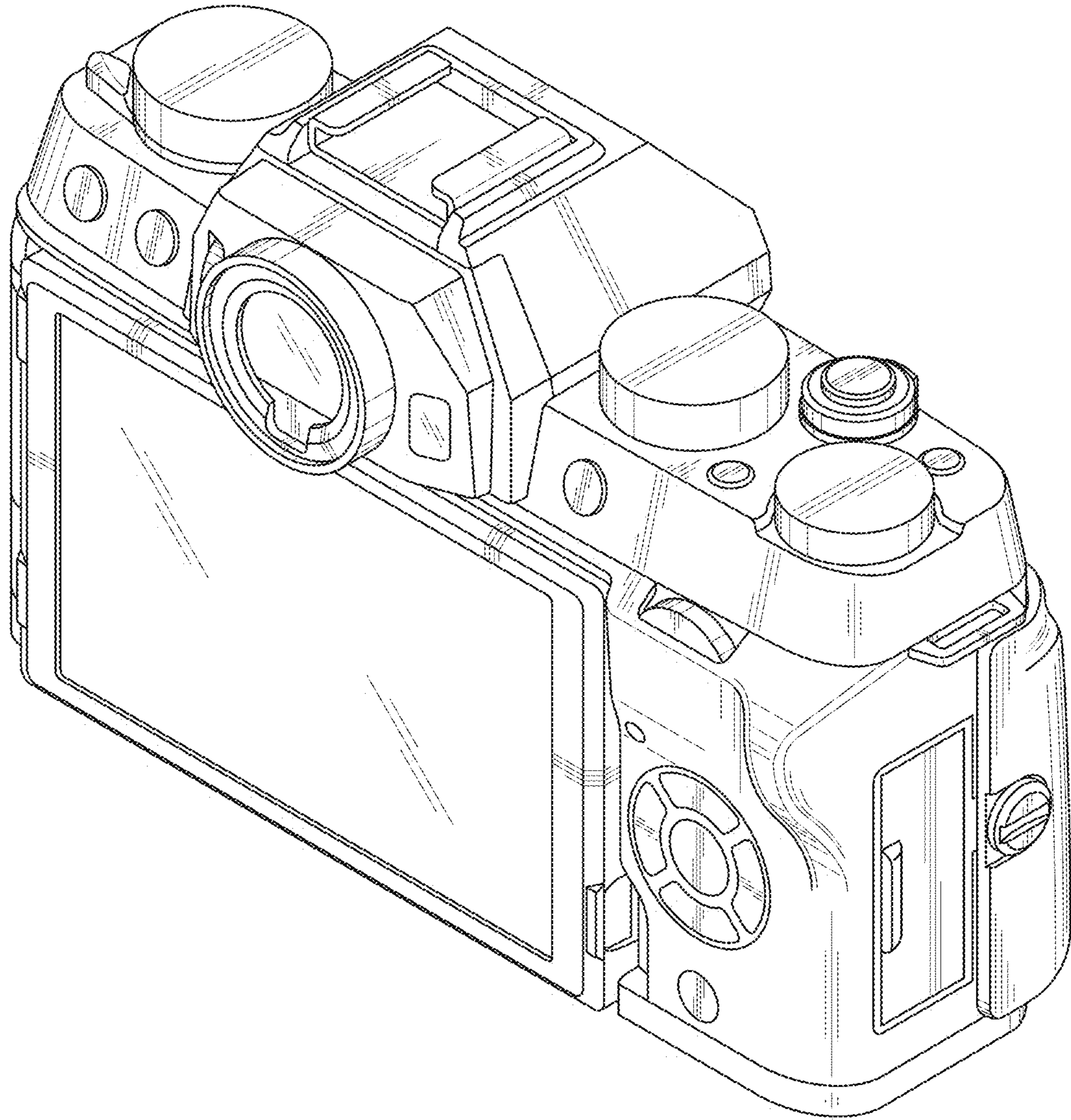


FIG. 10

FIG. 11

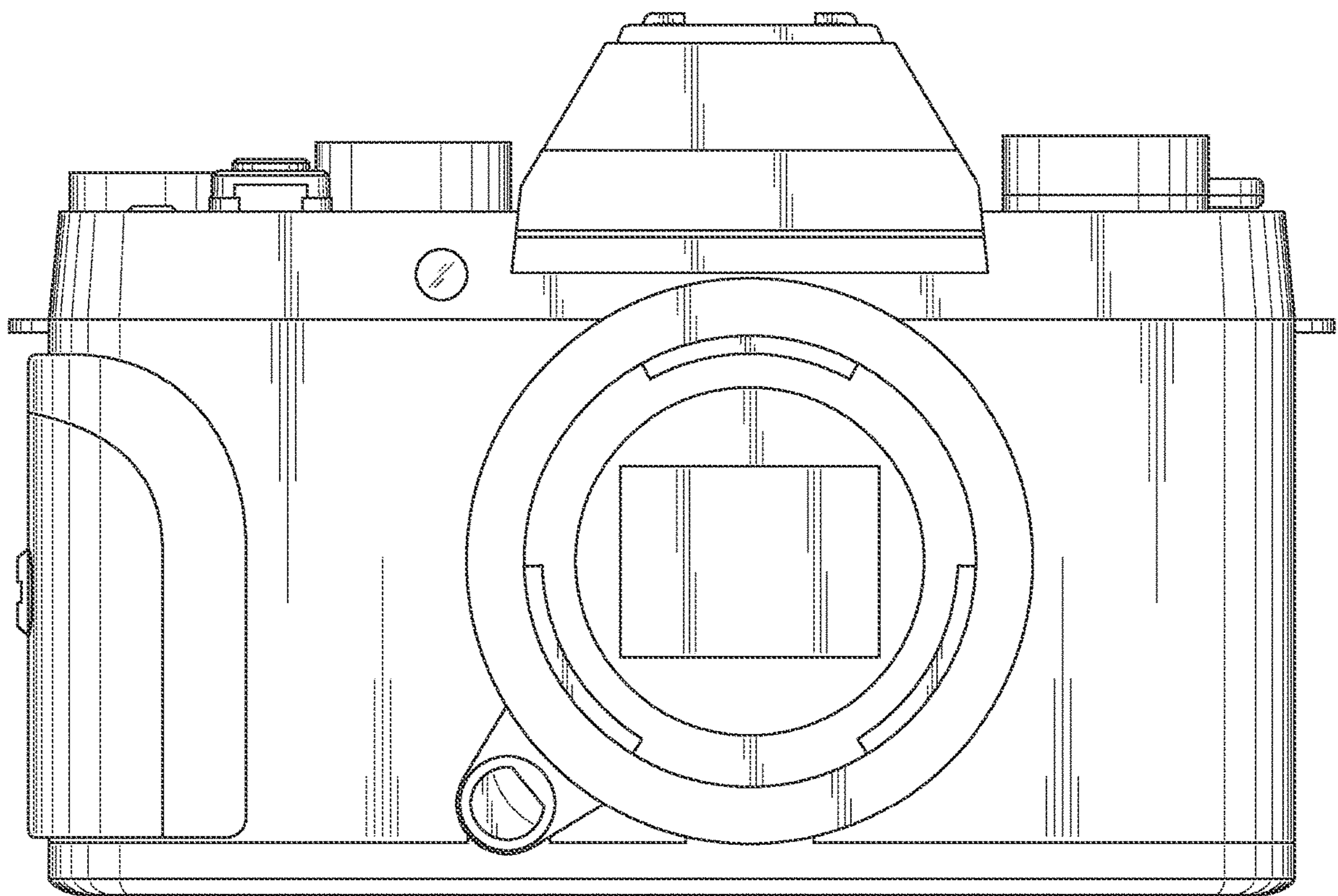


FIG. 12

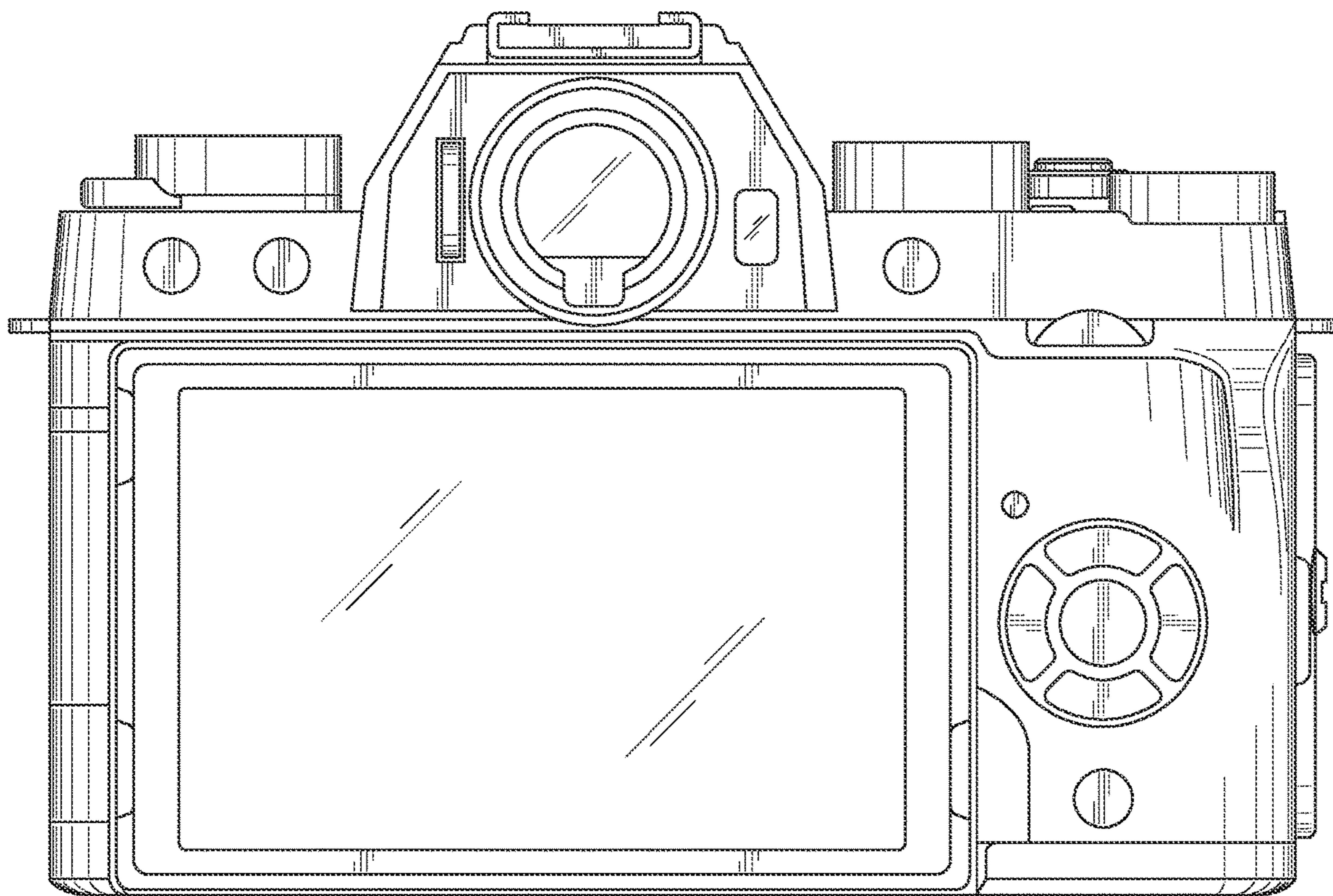


FIG. 13

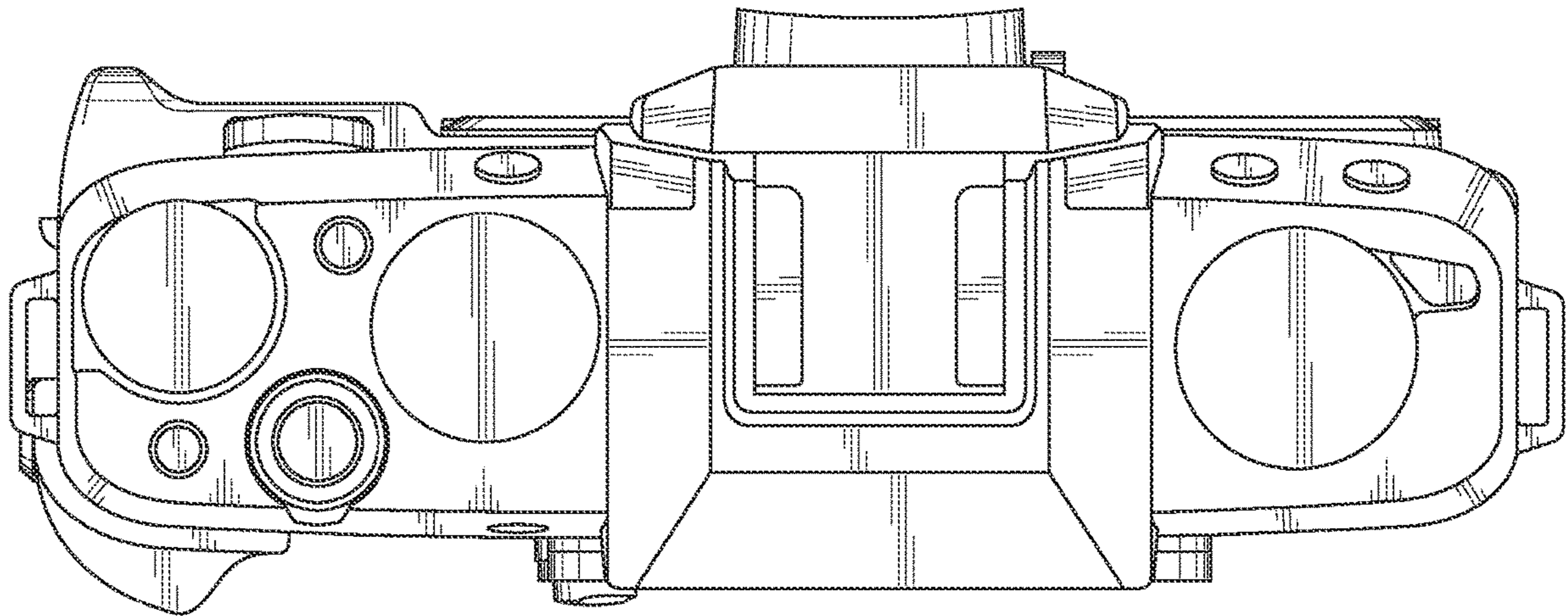


FIG. 14

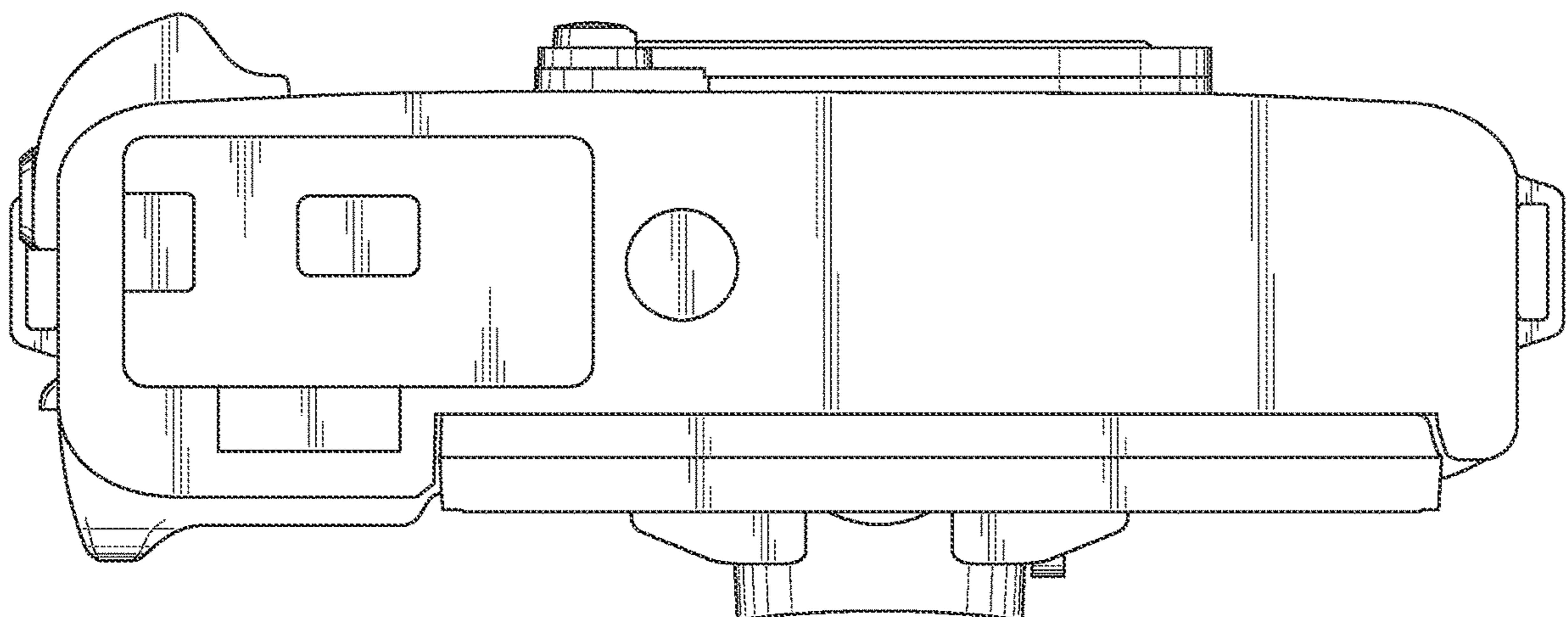


FIG. 15

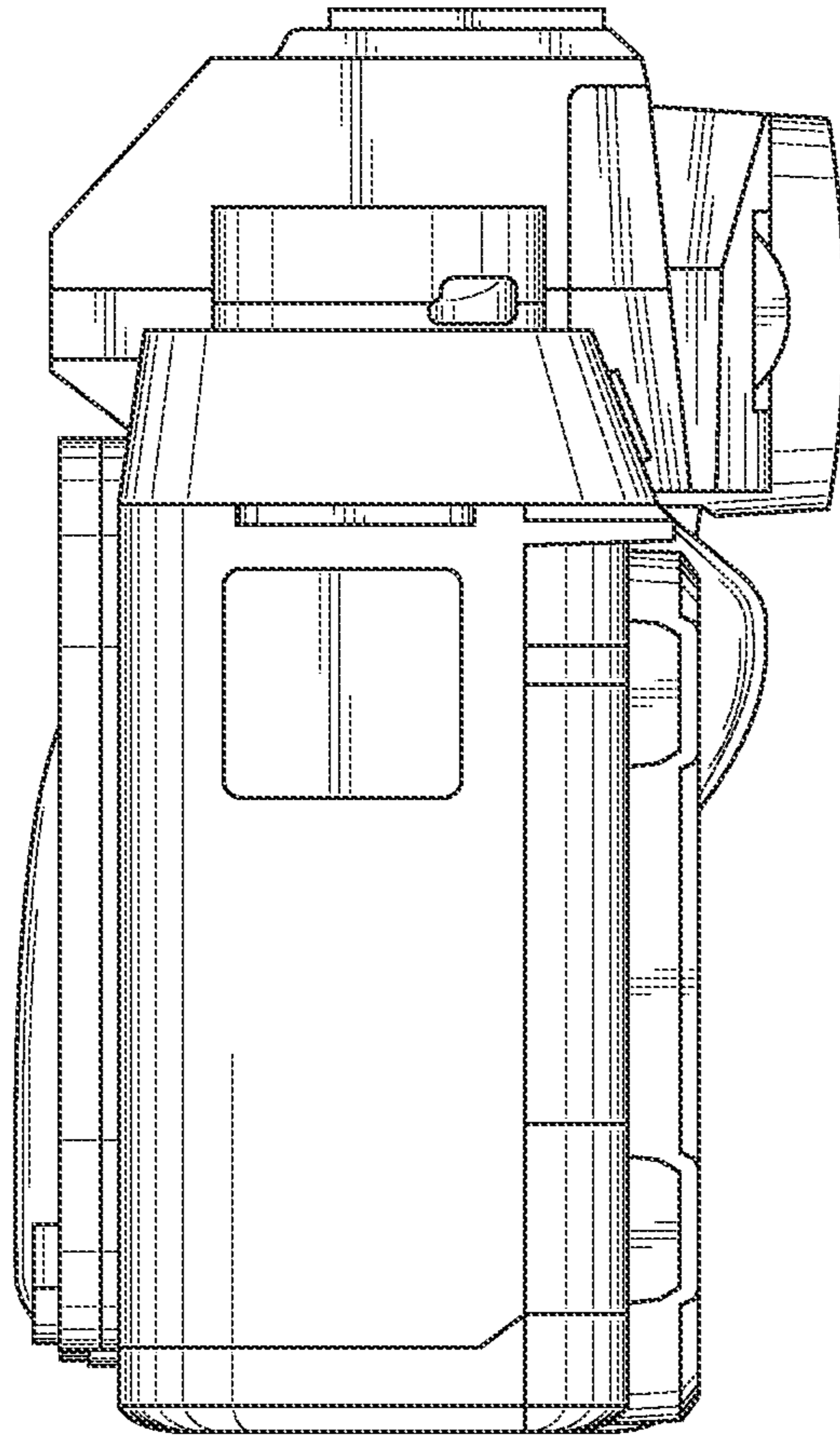


FIG. 16

