



US00D917595S

(12) **United States Design Patent**
Overmann

(10) **Patent No.:** **US D917,595 S**

(45) **Date of Patent:** **** Apr. 27, 2021**

(54) **CAMERA**

(71) Applicant: **Christian Overmann**, Meckenheim (DE)

(72) Inventor: **Christian Overmann**, Meckenheim (DE)

(**) Term: **15 Years**

(21) Appl. No.: **35/507,744**

(22) Filed: **Jul. 30, 2019**

(80) **Hague Agreement Data**

Int. Filing Date: **Jul. 30, 2019**

Int. Reg. No.: **DM/203842**

Int. Reg. Date: **Jul. 30, 2019**

Int. Reg. Pub. Date: **Nov. 15, 2019**

(30) **Foreign Application Priority Data**

Jan. 31, 2019 (DE) 402019100141.7-0003

Jan. 31, 2019 (DE) 402019100141.7-0004

Jan. 31, 2019 (DE) 402019100141.7-0007

Jan. 31, 2019 (DE) 402019100141.7-0009

Jan. 31, 2019 (DE) 402019100141.7-0014

Jan. 31, 2019 (DE) 402019100141.7-0019

(51) **LOC (13) Cl.** **16-01**

(52) **U.S. Cl.**
USPC **D16/200**

(58) **Field of Classification Search**
USPC D16/200–204, 208, 218, 219, 134
CPC G03B 15/03; G03B 17/02; G03B 17/04;
G03B 17/48; G03B 17/56

See application file for complete search history.

(56) **References Cited**

U.S. PATENT DOCUMENTS

D272,634 S *	2/1984	Breslau	D16/134
D337,775 S *	7/1993	Takahashi	D16/134
D347,650 S *	6/1994	Takahashi	D16/134
D362,007 S *	9/1995	Takahashi	D16/134
D750,689 S *	3/2016	Oh	D16/219
D768,224 S *	10/2016	Kim	D16/219
D815,678 S *	4/2018	Sakai	D16/219
D823,510 S *	7/2018	Kunzendorf	D26/49
D842,918 S *	3/2019	Sakai	D16/219
D857,778 S *	8/2019	Sakai	D16/219
D870,179 S *	12/2019	Sawabe	D16/202

* cited by examiner

Primary Examiner — Holly E Thurman

(74) *Attorney, Agent, or Firm* — W&C IP

(57) **CLAIM**

The ornamental design for a camera, as shown and described.

DESCRIPTION

Figure 3.1 is a top plan view of a first embodiment of a camera;

Figure 3.2 is right side view thereof;

Figure 3.3 is a bottom plan view thereof;

Figure 3.4 is a perspective view thereof;

Figure 3.5 is an exploded perspective view thereof;

Figure 5.1 is a top plan view of a second embodiment of a camera;

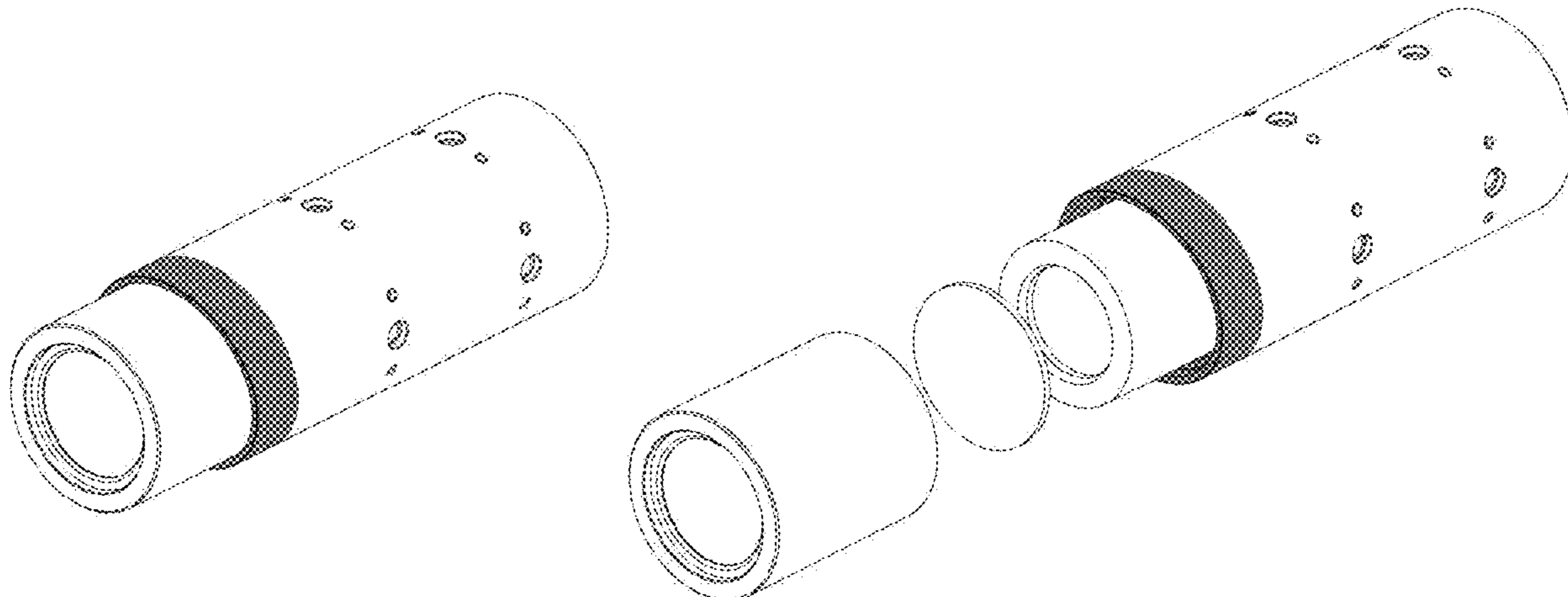
Figure 5.2 is a right side view thereof;

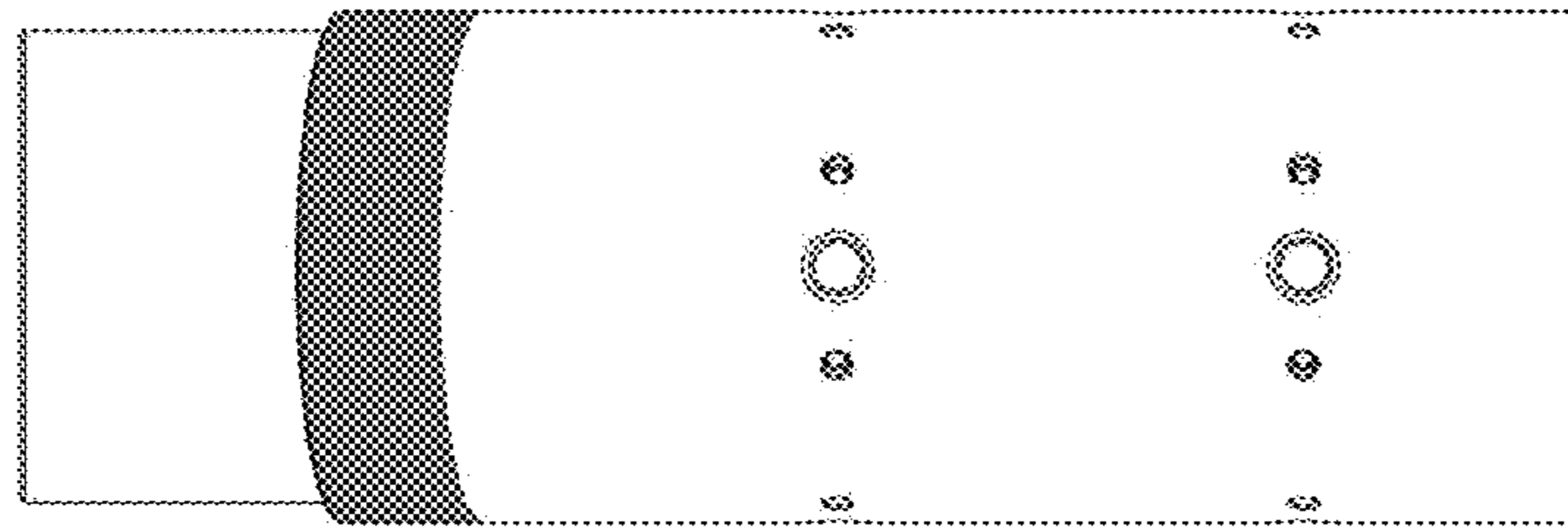
Figure 5.3 is a bottom plan view thereof;

Figure 5.4 is a perspective view thereof; and

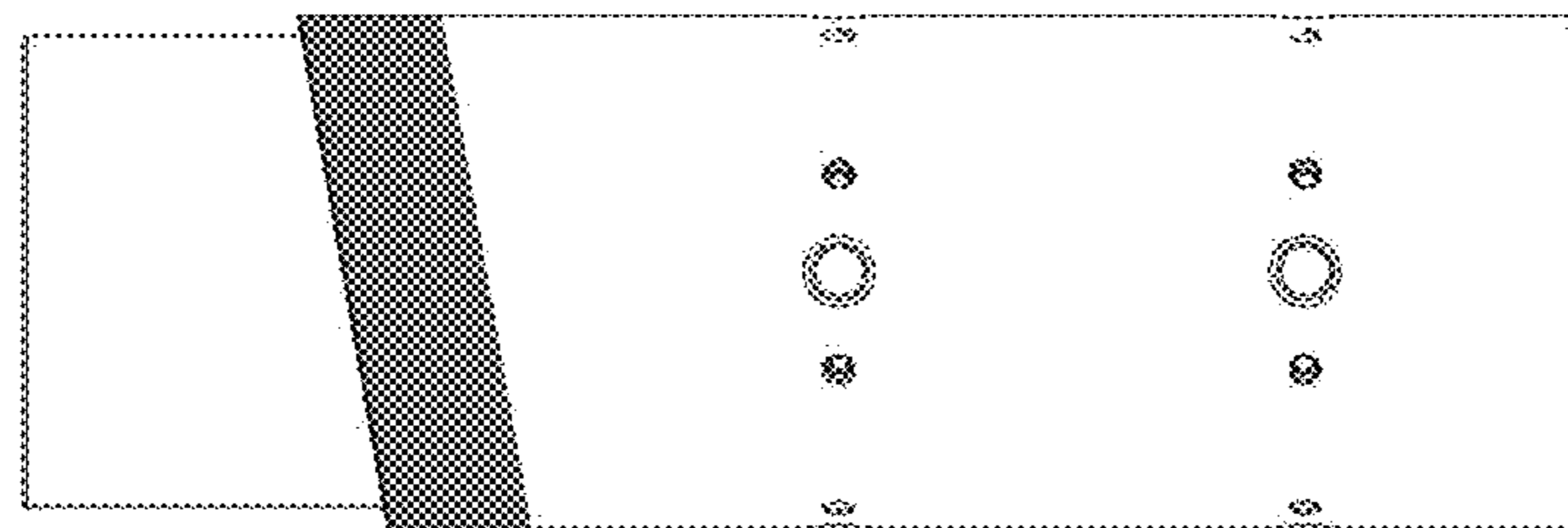
Figure 5.5 is an exploded perspective view thereof.

1 Claim, 10 Drawing Sheets

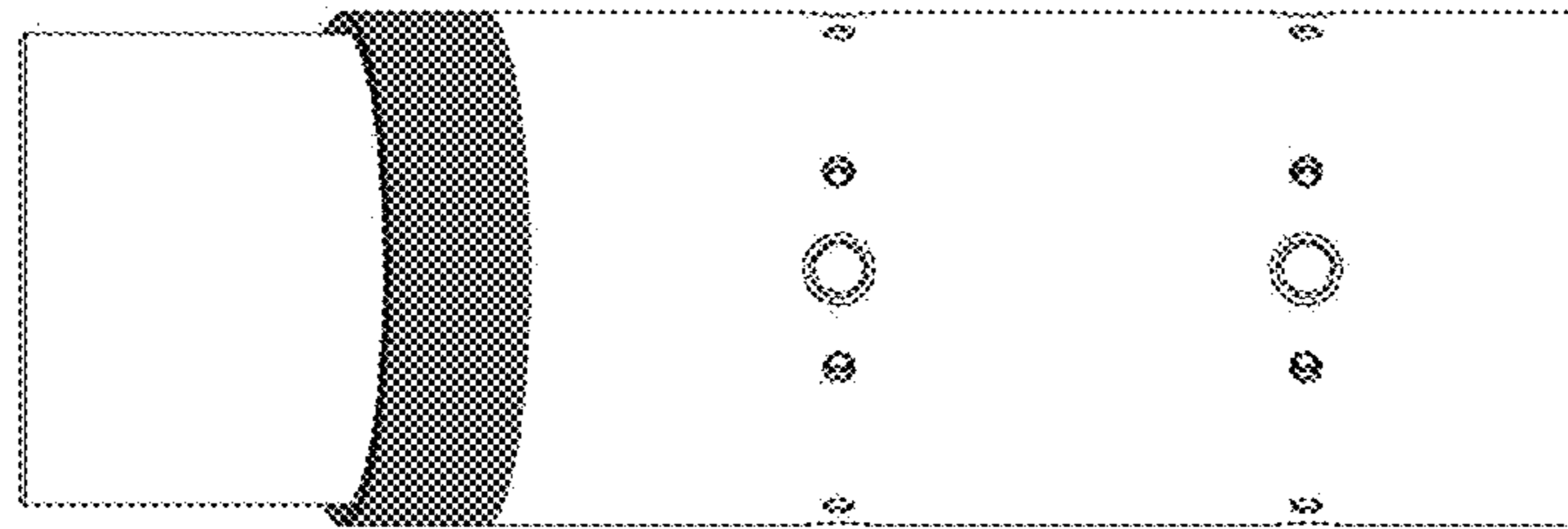




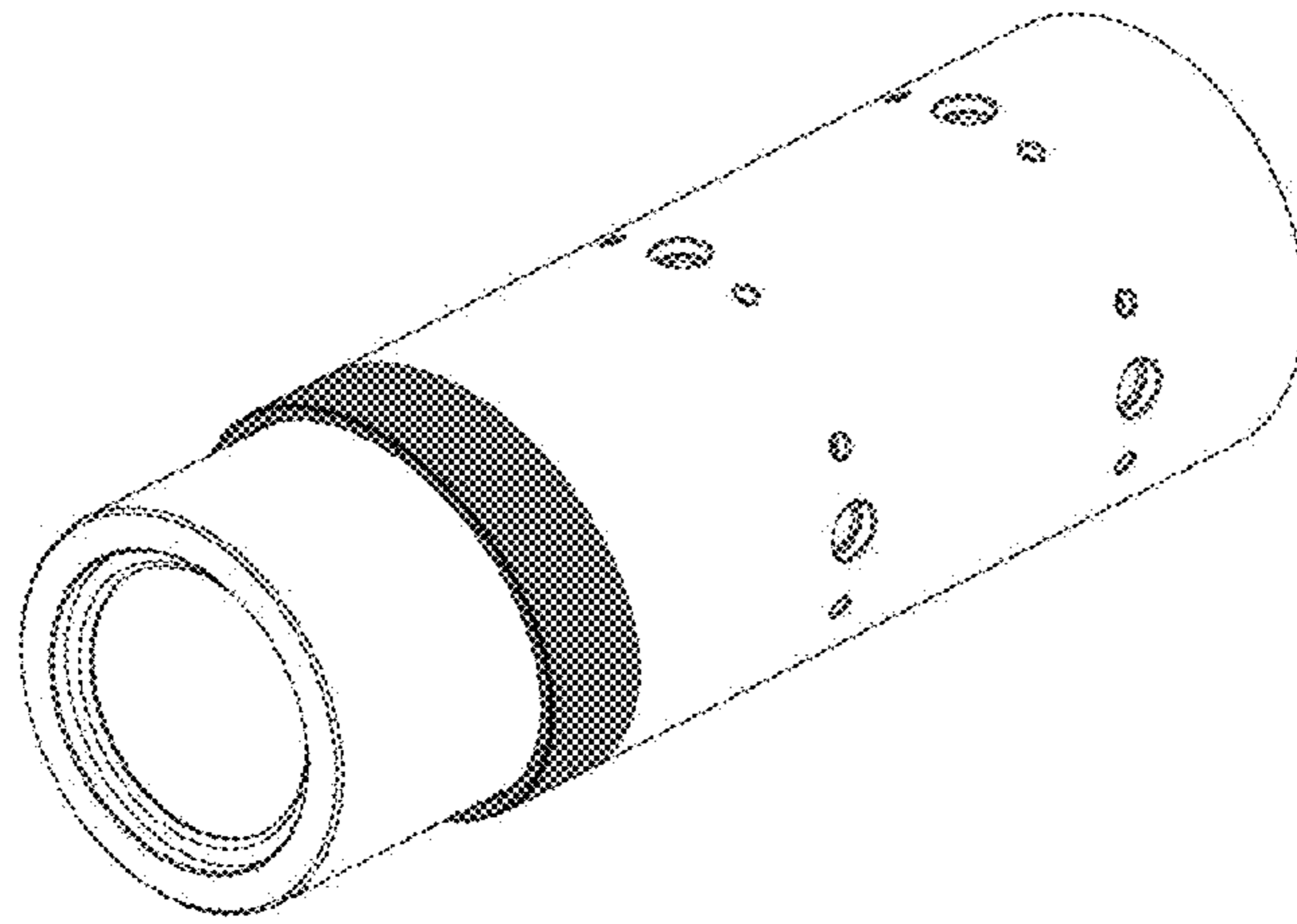
3.1



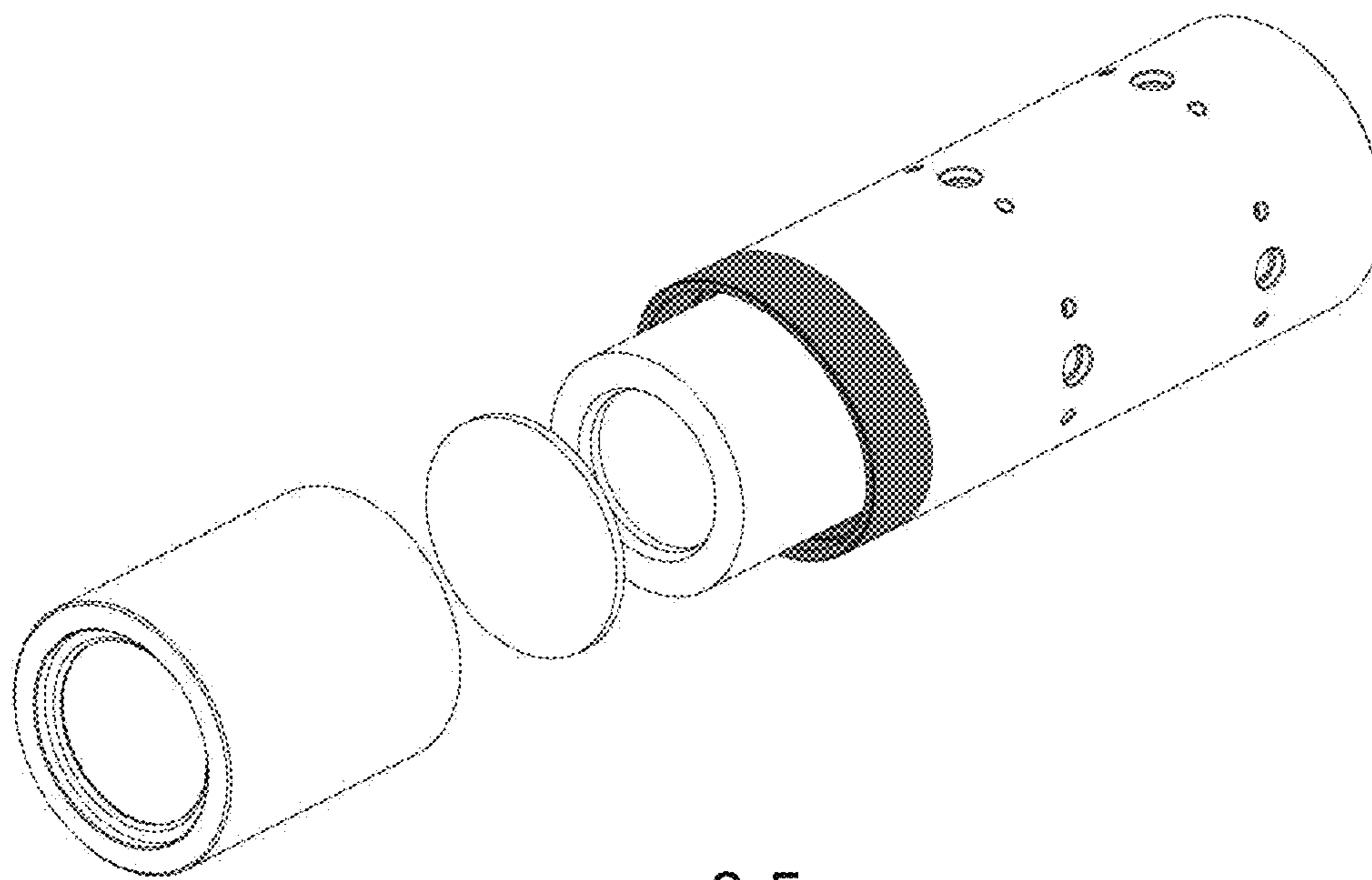
3.2



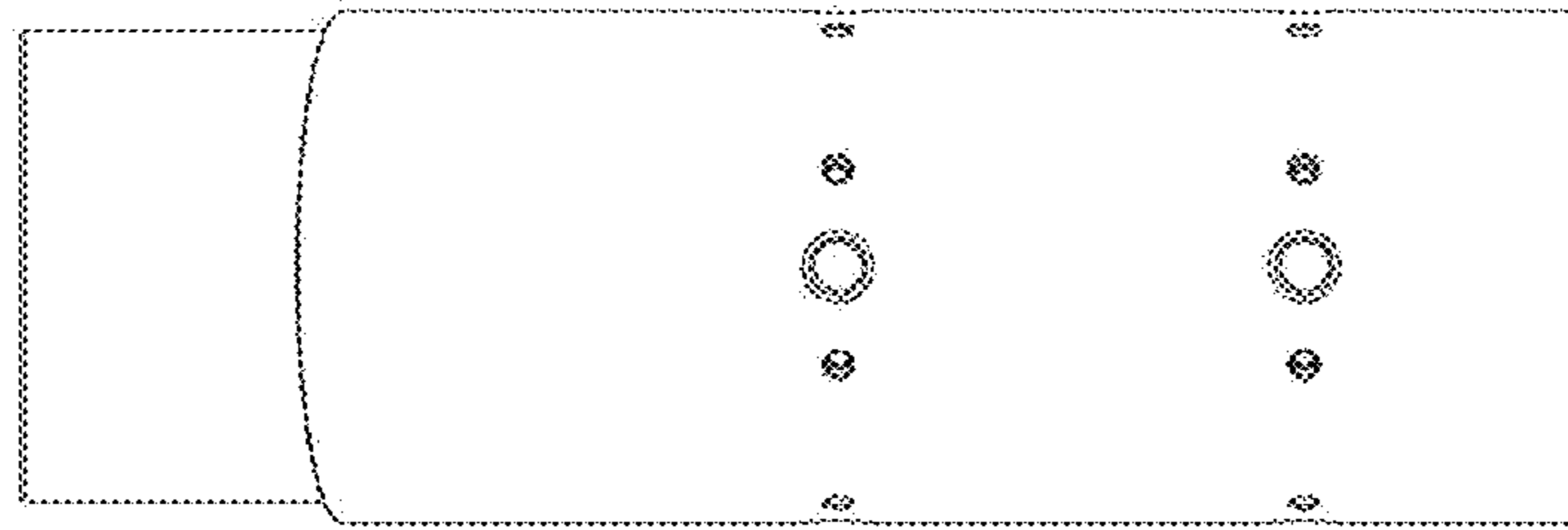
3.3



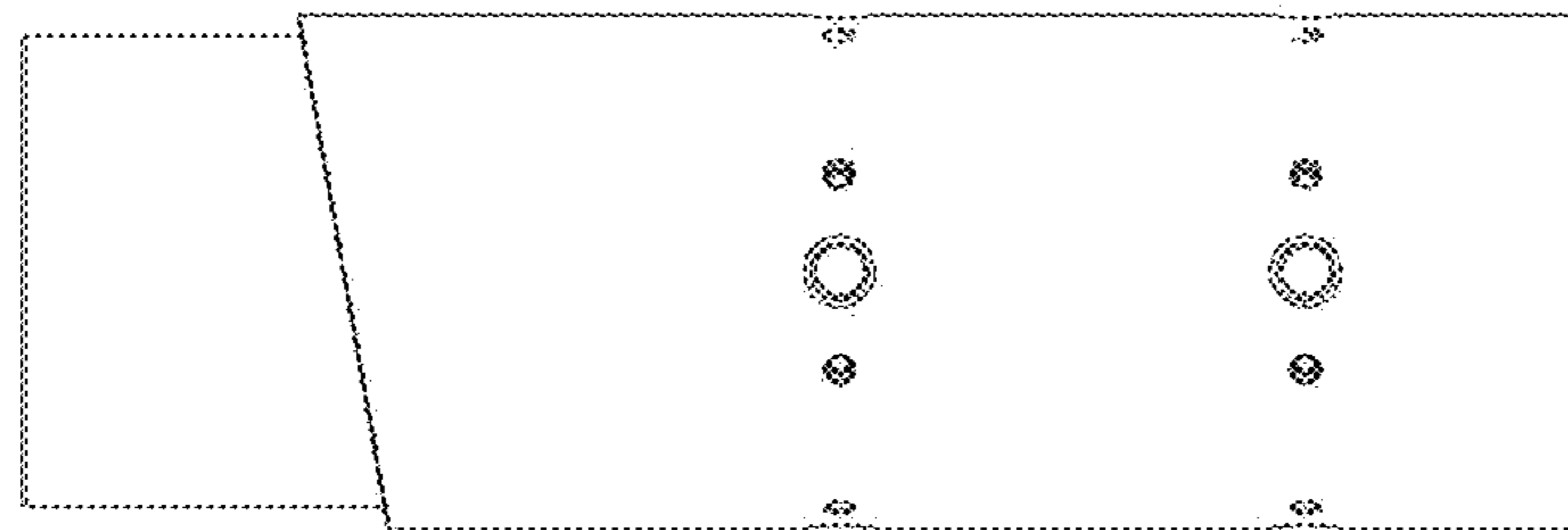
3.4



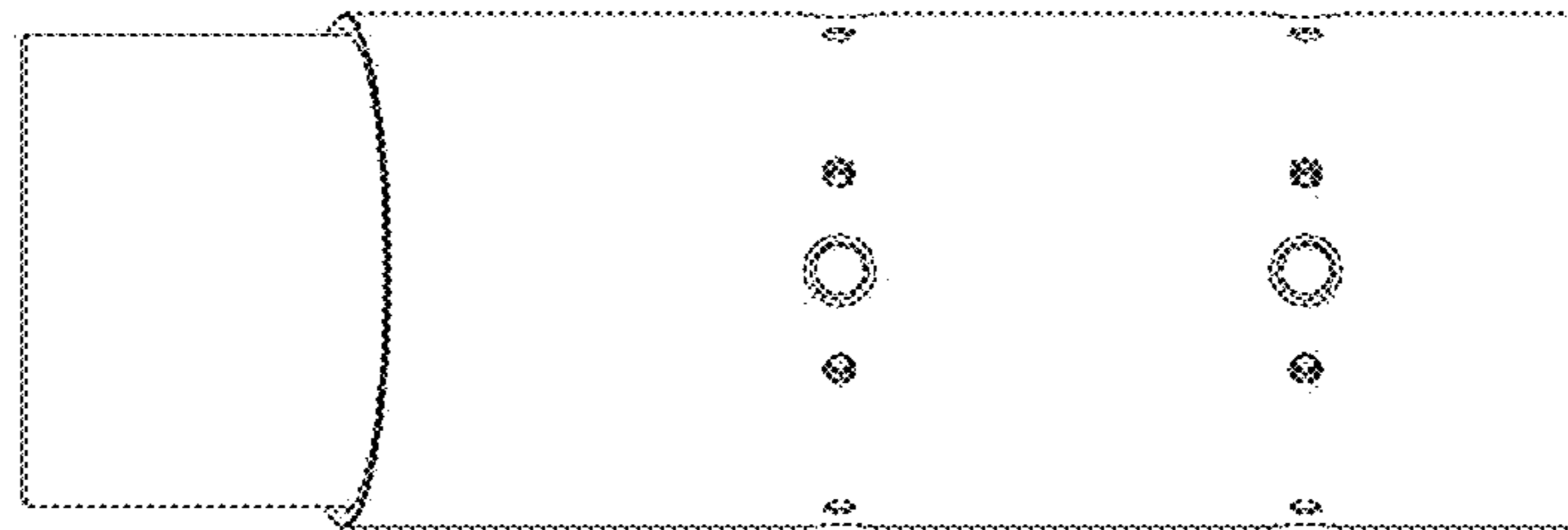
3.5



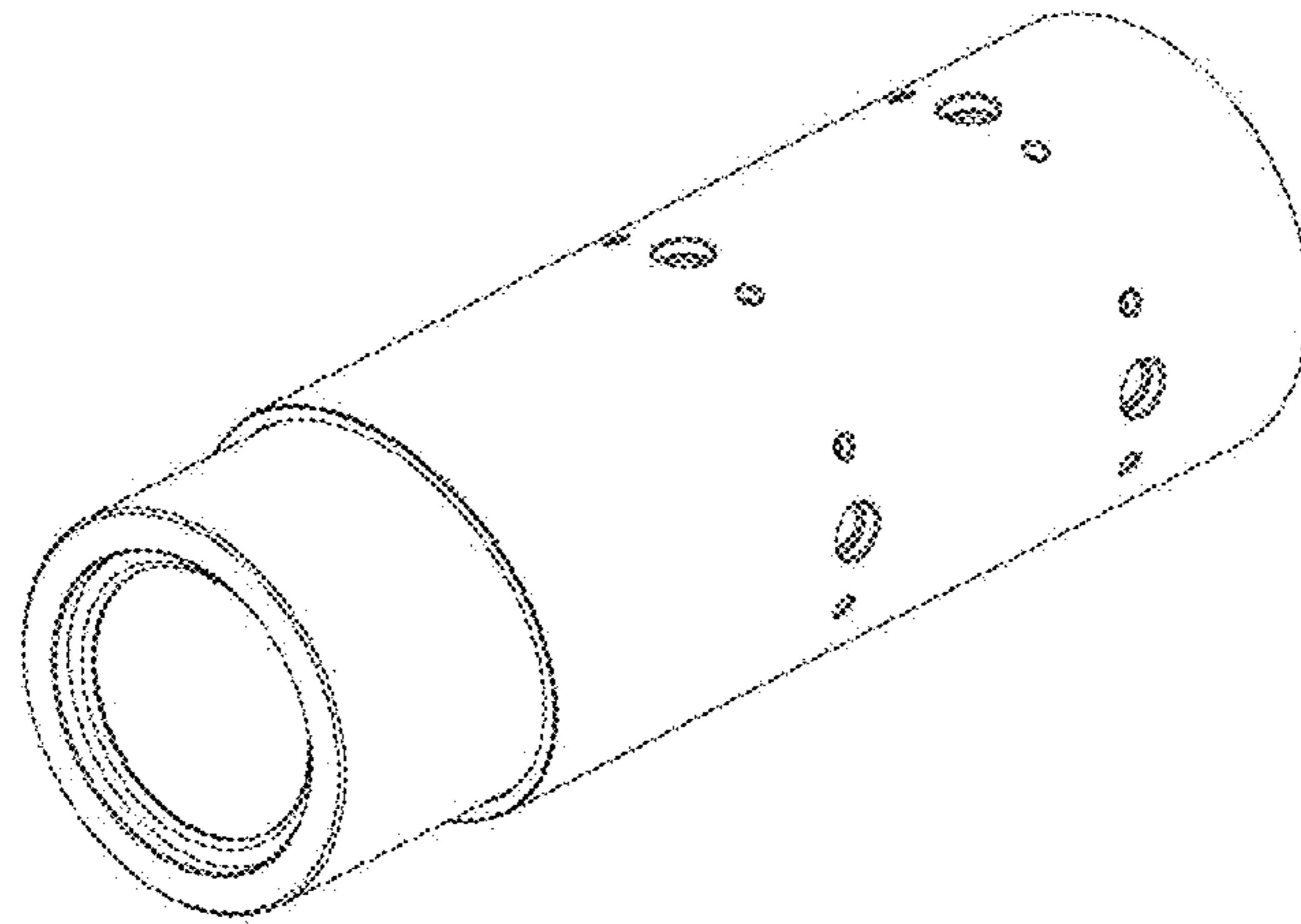
5.1



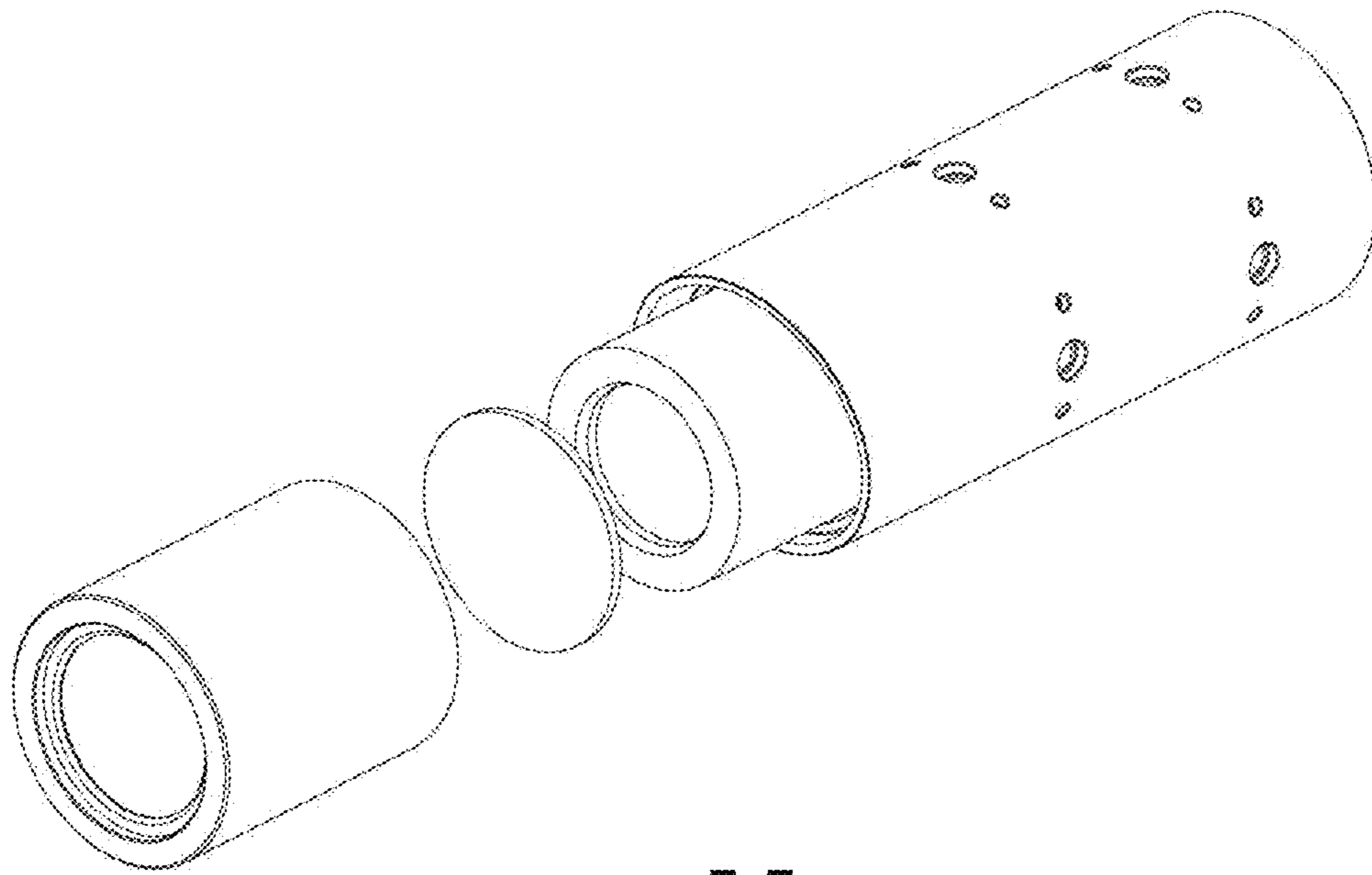
5.2



5.3



5.4



5.5