



US00D917593S

(12) **United States Design Patent**
Gupta et al.

(10) **Patent No.:** **US D917,593 S**
(45) **Date of Patent:** **** Apr. 27, 2021**

- (54) **ROBOT**
- (71) Applicant: **Evodyne Robotics Corporation**,
Mountain View, CA (US)
- (72) Inventors: **Raghav Gupta**, Saratoga, CA (US); **Jie Schumacher**, Mountain View, CA (US)
- (73) Assignee: **Evodyne Robotics Corporation**,
Mountain View, CA (US)
- (**) Term: **15 Years**
- (21) Appl. No.: **29/720,694**
- (22) Filed: **Jan. 15, 2020**
- (51) **LOC (13) Cl.** **15-99**
- (52) **U.S. Cl.**
USPC **D15/199**
- (58) **Field of Classification Search**
USPC D6/691, 692; D15/122, 199;
D21/578-583; D32/21; D34/34
CPC B25J 9/046; B25J 9/042; B25J 9/06; H01L
21/67766
See application file for complete search history.

- D554,226 S * 10/2007 Blum D21/815
- D651,627 S * 1/2012 Long D15/199
- 8,528,489 B2 * 9/2013 Roy A47B 13/003
108/125
- 8,537,346 B2 * 9/2013 Nakagiri B25J 9/1692
356/139.07
- D712,447 S * 9/2014 He D15/199
- D764,557 S * 8/2016 Yamada D15/199
- D868,129 S * 11/2019 Bogart D15/199
- D877,223 S * 3/2020 Abe D15/199
- D883,352 S * 5/2020 Abe D15/199
- 2016/0107317 A1 * 4/2016 Hashimoto B25J 15/0014
414/744.2
- 2016/0327383 A1 * 11/2016 Becker G01B 11/005

* cited by examiner

Primary Examiner — Patricia A Palasik
(74) *Attorney, Agent, or Firm* — Daylight Law, P.C.

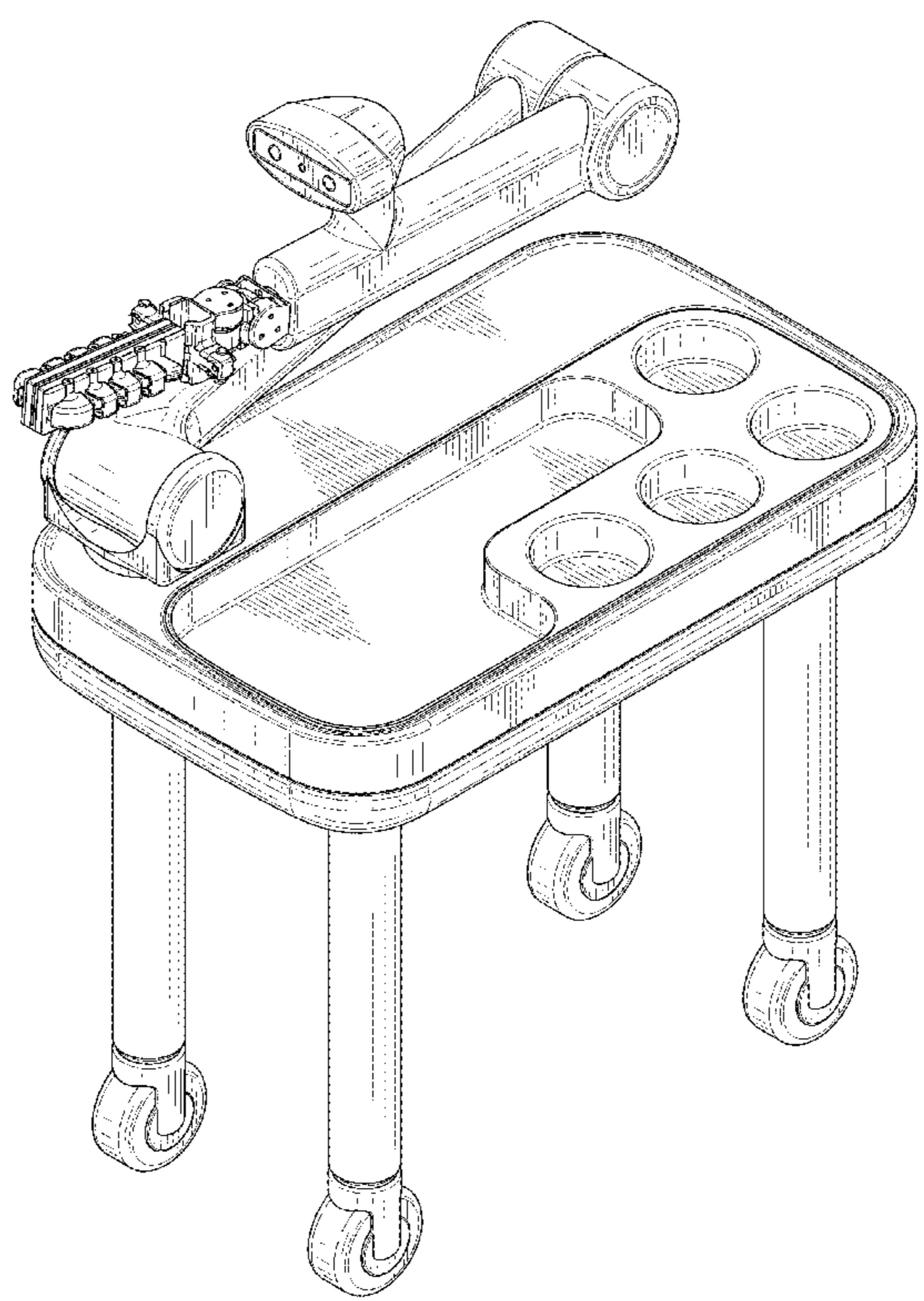
(57) **CLAIM**
The ornamental design for a robot, as shown and described.

DESCRIPTION

FIG. 1 is a top-right perspective view of a robot showing our new design;
FIG. 2 is a front-left perspective view thereof;
FIG. 3 is a back-left perspective view thereof;
FIG. 4 is a front view thereof;
FIG. 5 is a back view thereof;
FIG. 6 is a left-side view thereof;
FIG. 7 is a right-side view thereof;
FIG. 8 is a top view thereof; and,
FIG. 9 is a bottom view thereof.

1 Claim, 9 Drawing Sheets

- (56) **References Cited**
U.S. PATENT DOCUMENTS
- D269,681 S * 7/1983 Morser D15/122
- D293,449 S * 12/1987 Kaufmann D15/122
- D296,790 S * 7/1988 Tsuburaya D15/122
- D350,247 S * 9/1994 Buske D21/522
- D358,511 S * 5/1995 Frahm D21/522
- D455,163 S * 4/2002 Kawaguchi D15/199



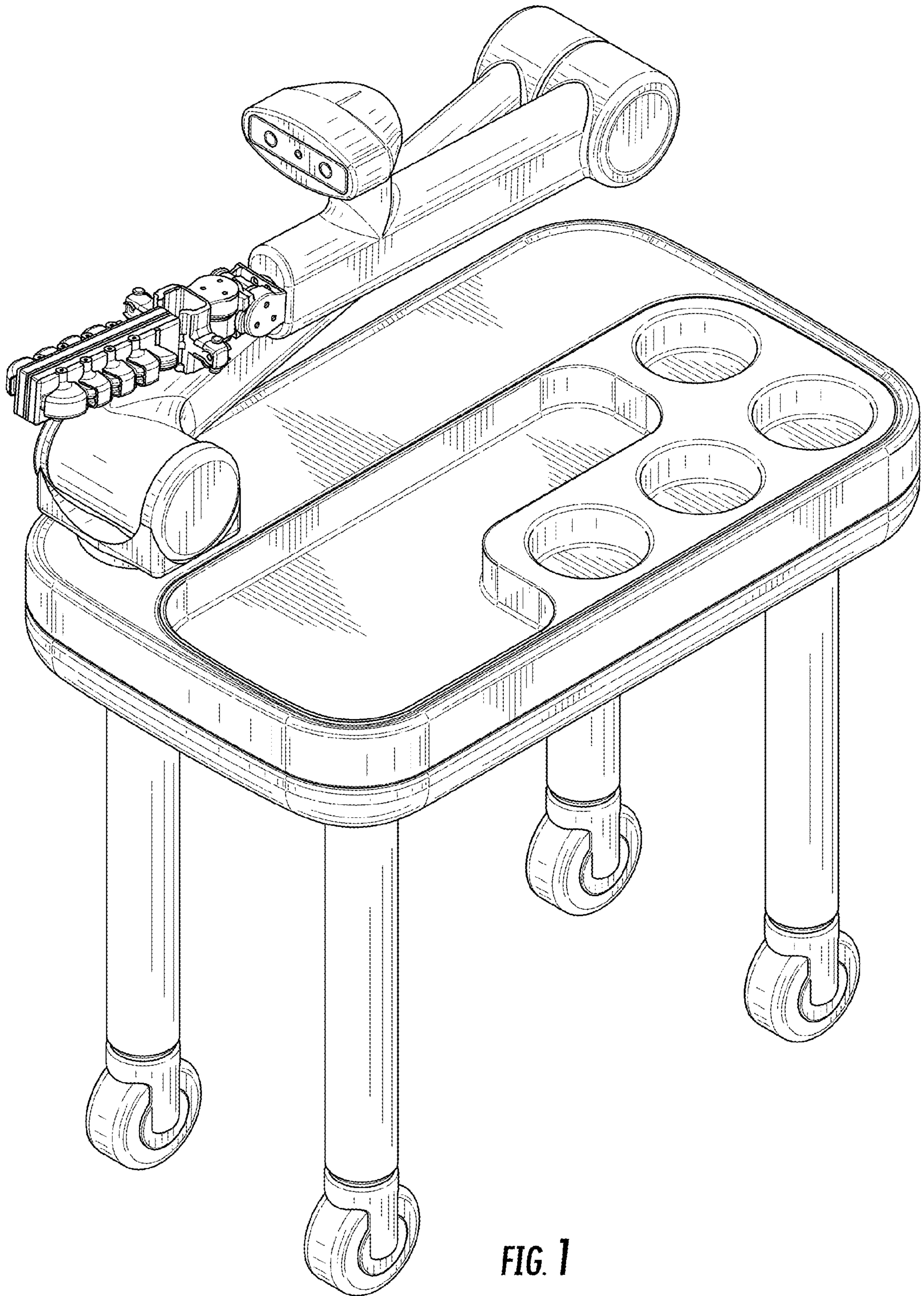


FIG. 1

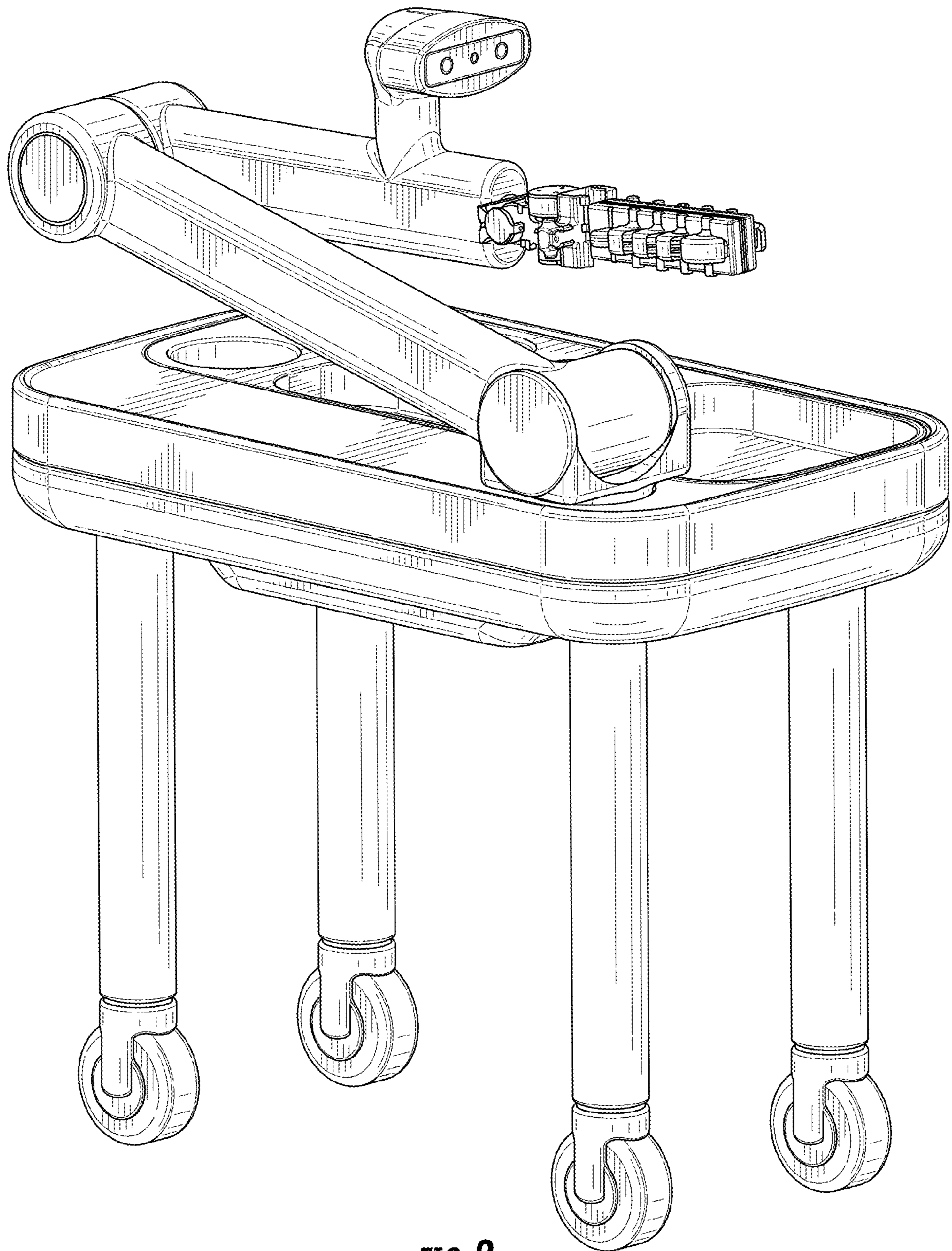


FIG. 2

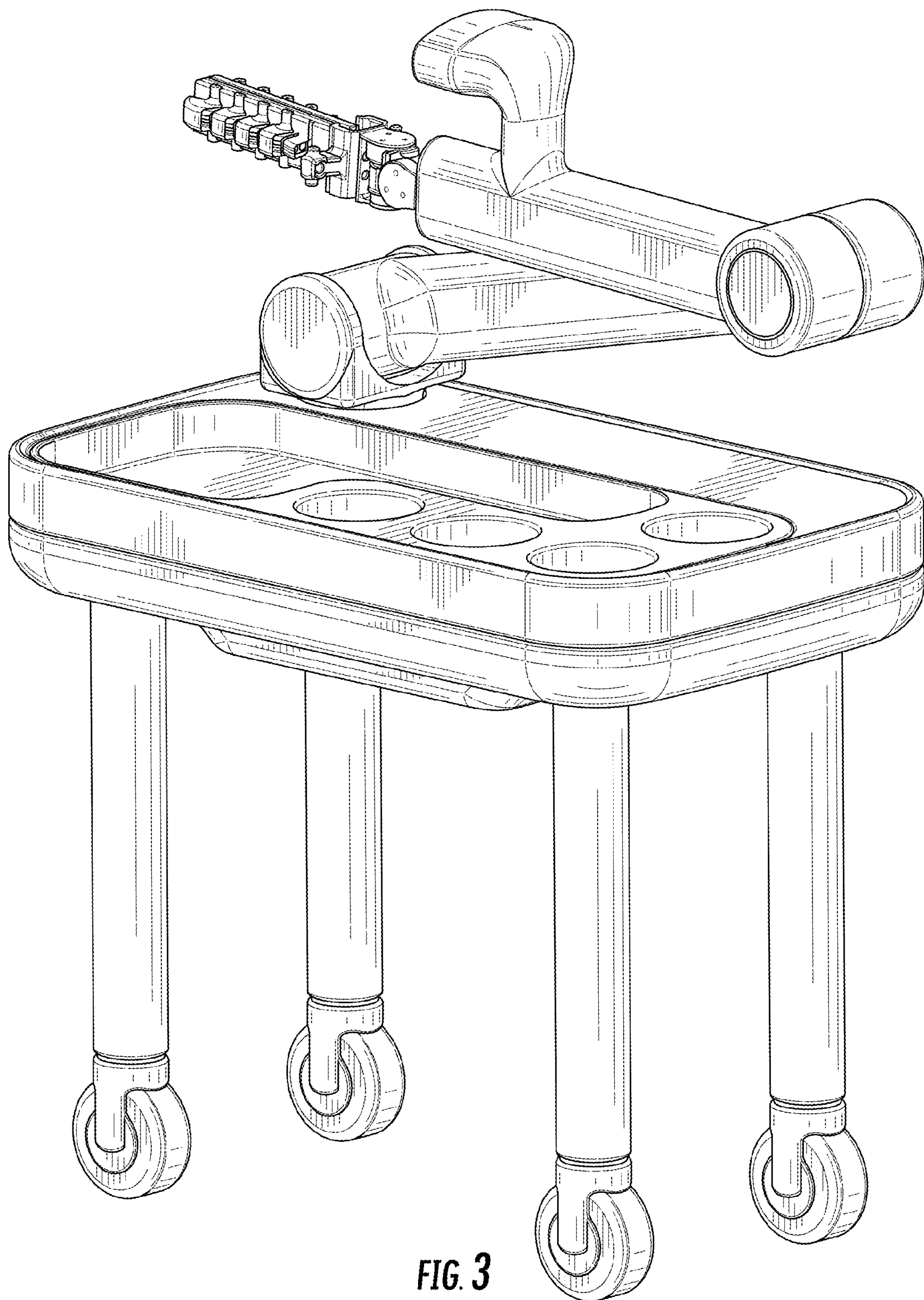


FIG. 3

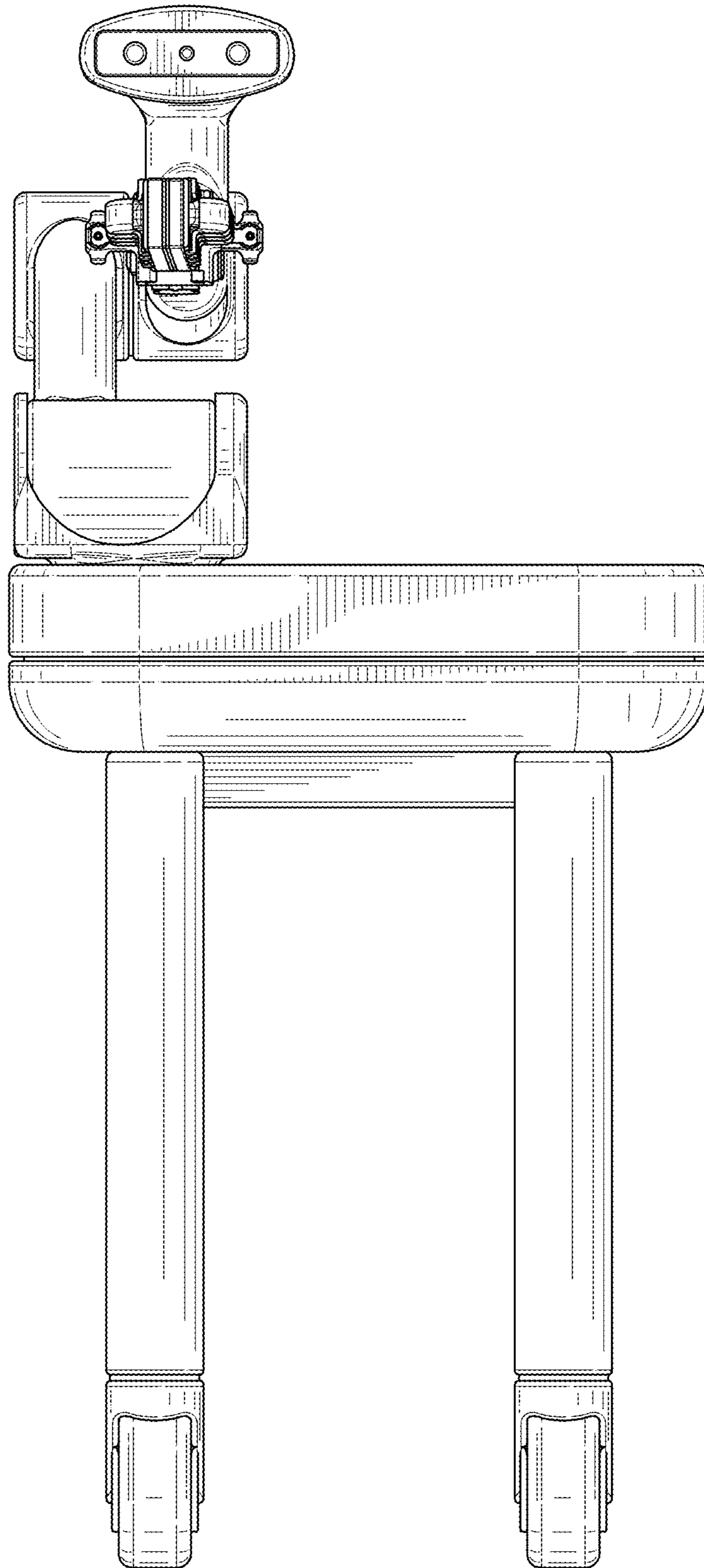


FIG. 4

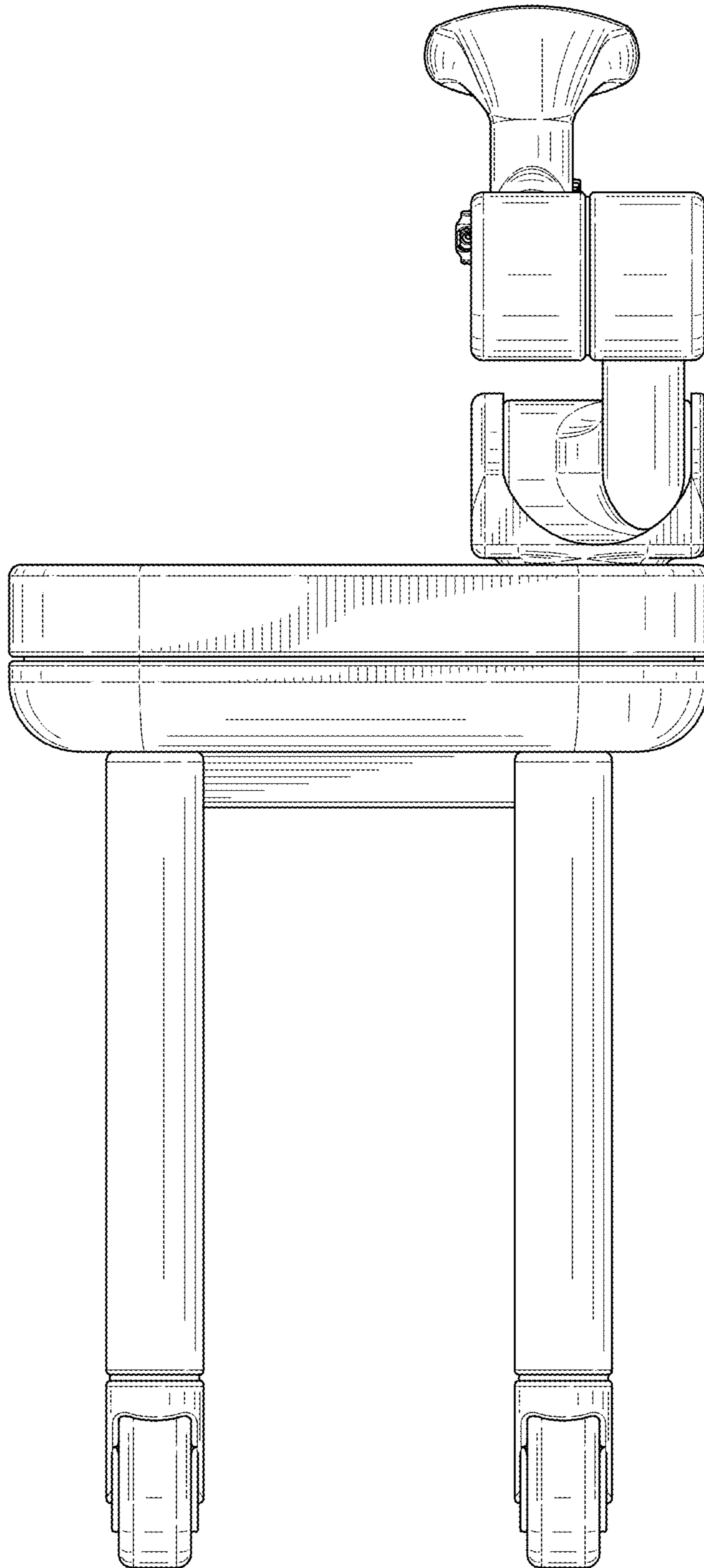


FIG. 5

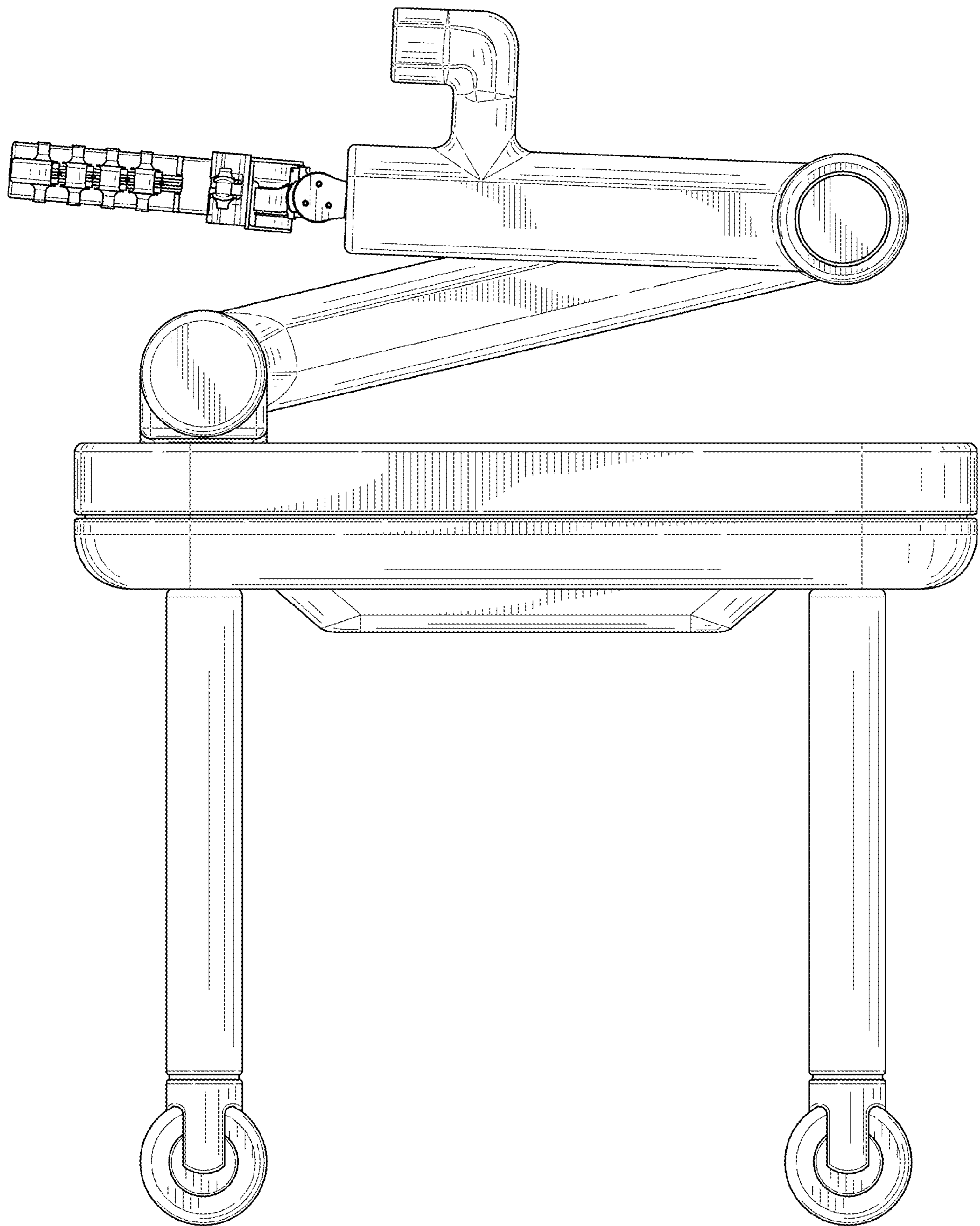


FIG. 6

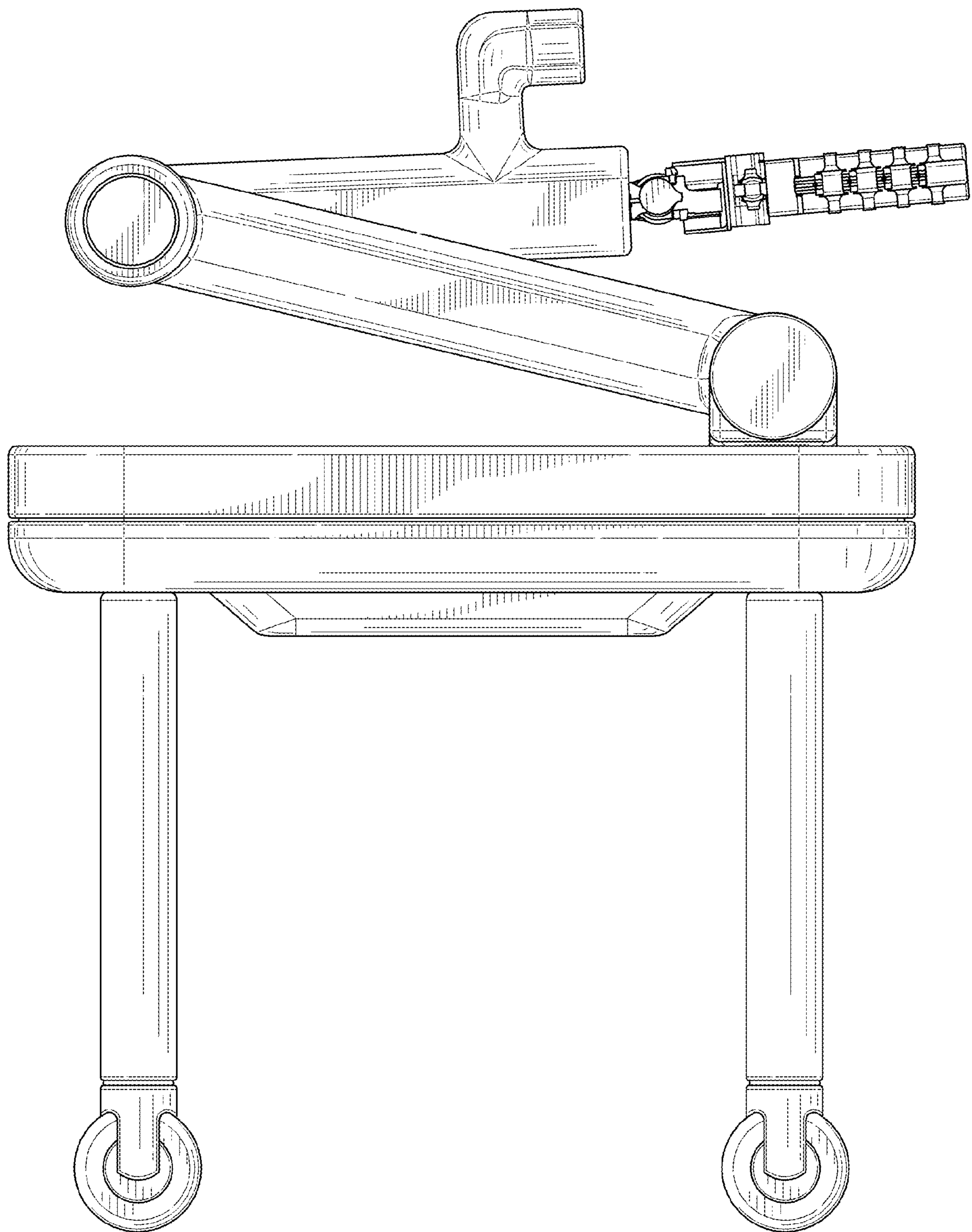


FIG. 7

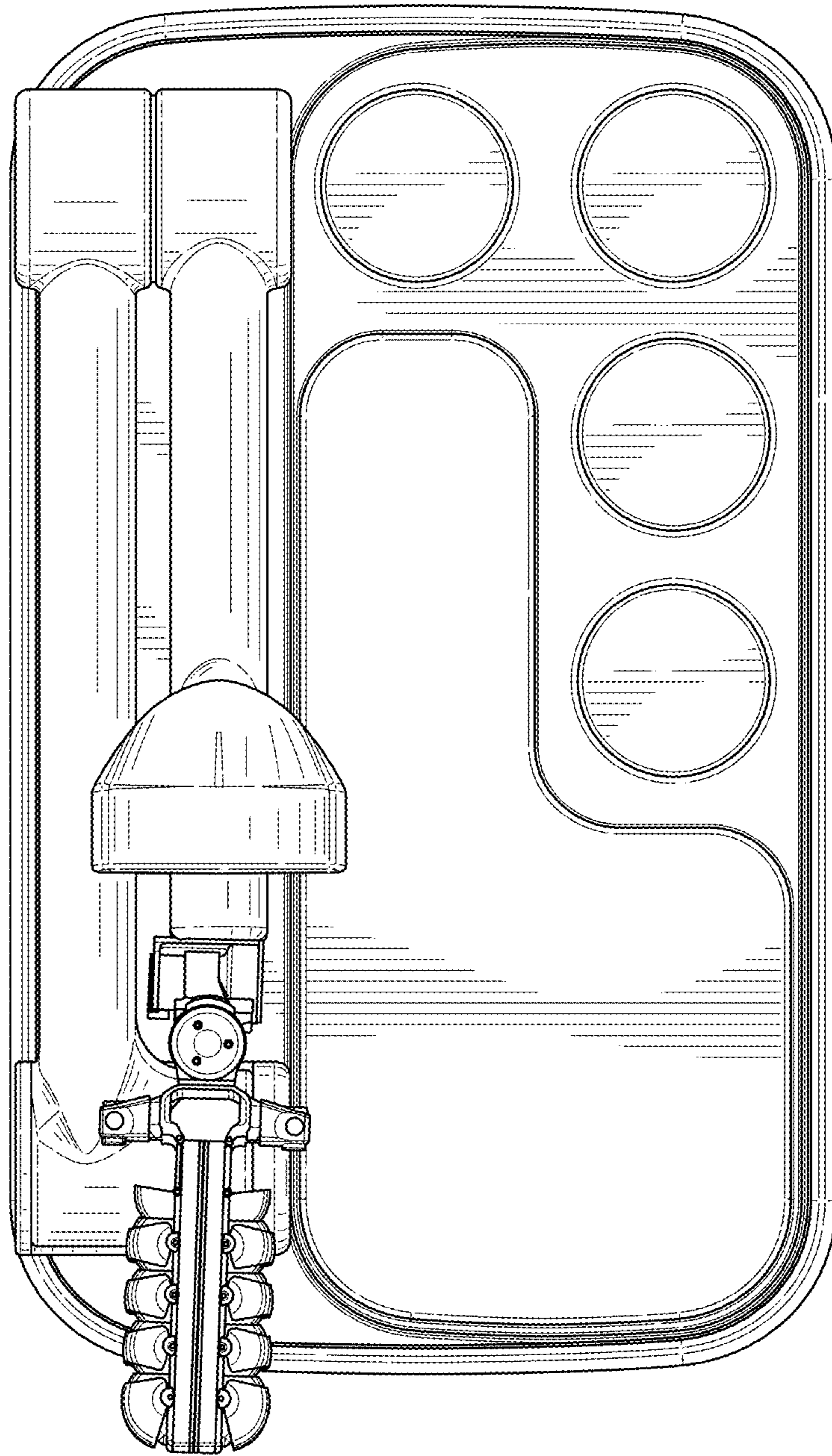


FIG. 8

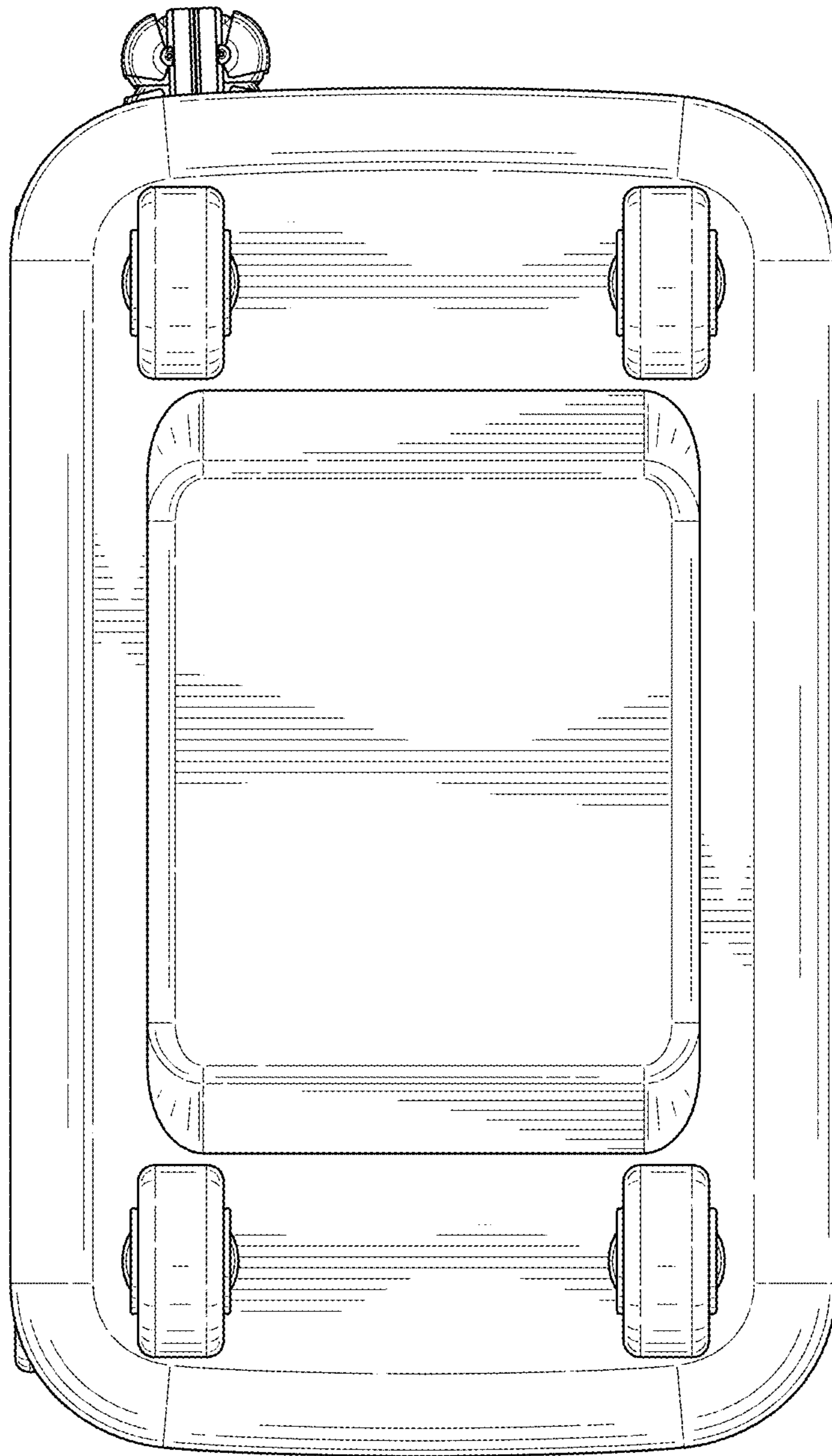


FIG. 9