



US00D917592S

(12) **United States Design Patent** (10) **Patent No.:** **US D917,592 S**
Mei et al. (45) **Date of Patent:** **** Apr. 27, 2021**

(54) **DELIVERY ROBOT**
(71) Applicants: **Zixun Mei**, Edogawa-ku (JP); **Hiroyuki Kobayashi**, Mitaka (JP); **Takashi Nishimura**, Chofu (JP)
(72) Inventors: **Zixun Mei**, Edogawa-ku (JP); **Hiroyuki Kobayashi**, Mitaka (JP); **Takashi Nishimura**, Chofu (JP)
(73) Assignee: **Toyota Jidosha Kabushiki Kaisha**, Toyota (JP)
(**) Term: **15 Years**
(21) Appl. No.: **29/706,441**
(22) Filed: **Sep. 20, 2019**
(51) **LOC (13) Cl.** **15-99**
(52) **U.S. Cl.**
USPC **D15/199**; D34/34
(58) **Field of Classification Search**
USPC D7/605, 606, 629; D12/14, 86, 88, 90, D12/91; D15/199, 578; D34/34
CPC B25J 5/007; B25J 11/008; B60G 5/01; B60G 2300/07; B62D 61/10; G05D 1/0238; G05D 1/0214; Y10S 901/01
See application file for complete search history.

D824,976 S * 8/2018 Makela D15/199
D826,302 S * 8/2018 Tsukamoto D15/199
D834,080 S * 11/2018 Tsukamoto D15/199
D866,393 S * 11/2019 Asai D12/1
D883,354 S * 5/2020 Jafarzadeh D15/199
D888,928 S * 6/2020 Hodgson D23/370
2015/0084214 A1 * 3/2015 Wilson F24F 6/00
261/32
2018/0194411 A1 * 7/2018 Liivik B60K 1/02

OTHER PUBLICATIONS

Website of Keenon Robotics, URL: <http://www.gbot.cn/EN/Product/pro2.html>; Model: Peanut Delivery Robot; Mfg.: Keenon Robotics Co., Ltd.; available on at least Nov. 15, 2018.
Website of Starship Technologies, URL: <https://www.starship.xyz/>; Model: Starship; Mfg.: Starship Technologies; available on at least Apr. 30, 2018.

* cited by examiner

Primary Examiner — Patricia A Palasik
(74) *Attorney, Agent, or Firm* — Finnegan, Henderson, Farabow, Garrett & Dunner, L.L.P.

(57) **CLAIM**

The ornamental design for a delivery robot, as shown and described.

DESCRIPTION

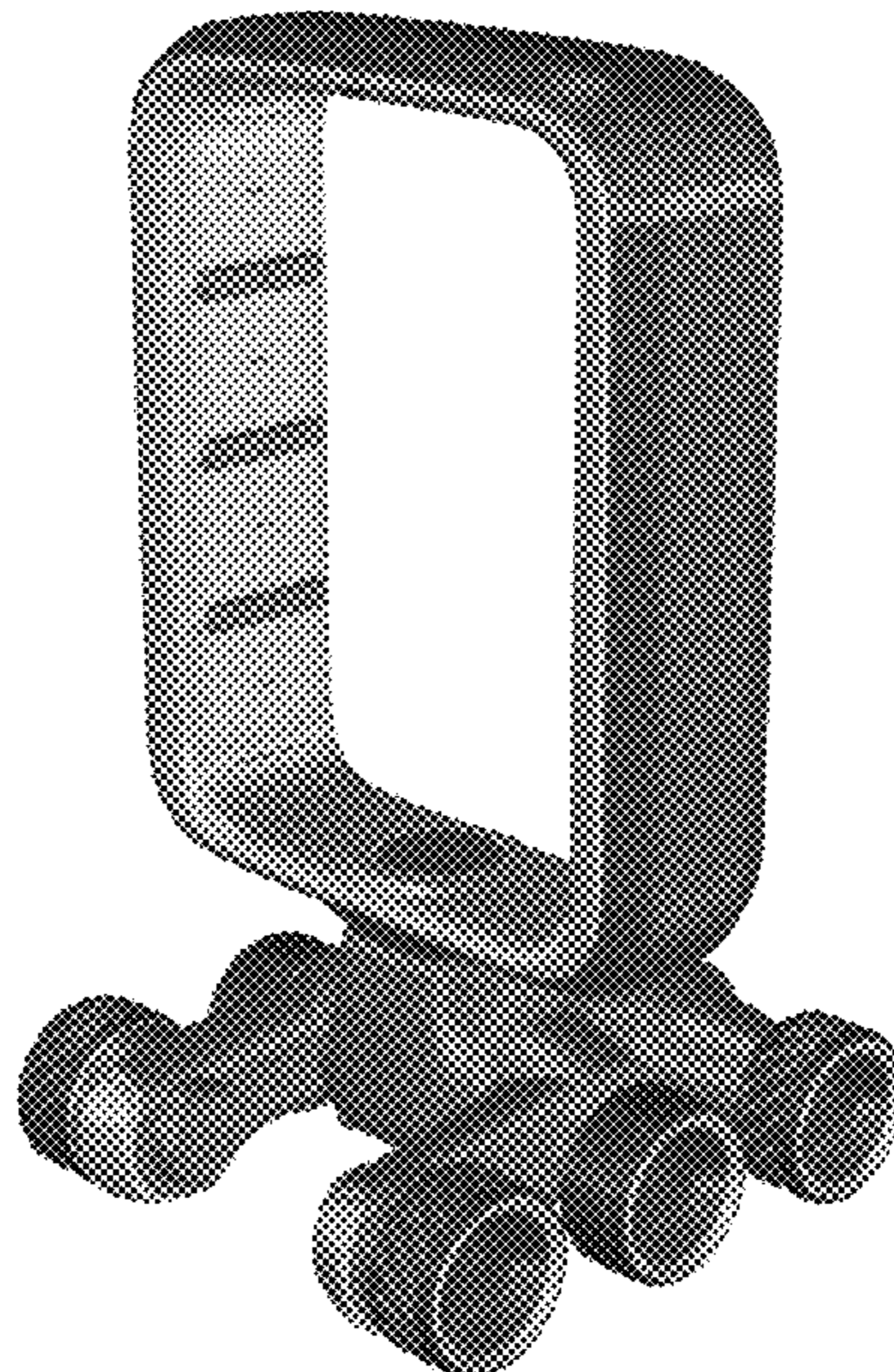
FIG. 1 is a front right perspective view of a delivery robot showing our new design;
FIG. 2 is a rear right perspective view thereof;
FIG. 3 is a front view thereof;
FIG. 4 is a rear view thereof;
FIG. 5 is a right side view thereof;
FIG. 6 is a left side view thereof;
FIG. 7 is a top view thereof; and,
FIG. 8 is a bottom view thereof.

1 Claim, 8 Drawing Sheets

(56) **References Cited**

U.S. PATENT DOCUMENTS

D165,195 S * 11/1951 Schlumbohm D12/86
D401,407 S * 11/1998 Bro D3/271.12
D598,532 S * 8/2009 Dyson F04F 5/16
D23/370
D608,158 S * 1/2010 Beal D7/605
D728,769 S * 5/2015 Dyson D23/370
D745,144 S * 12/2015 Aylmer D24/128
D818,397 S * 5/2018 Makela D12/86
D821,265 S * 6/2018 Makela D12/86



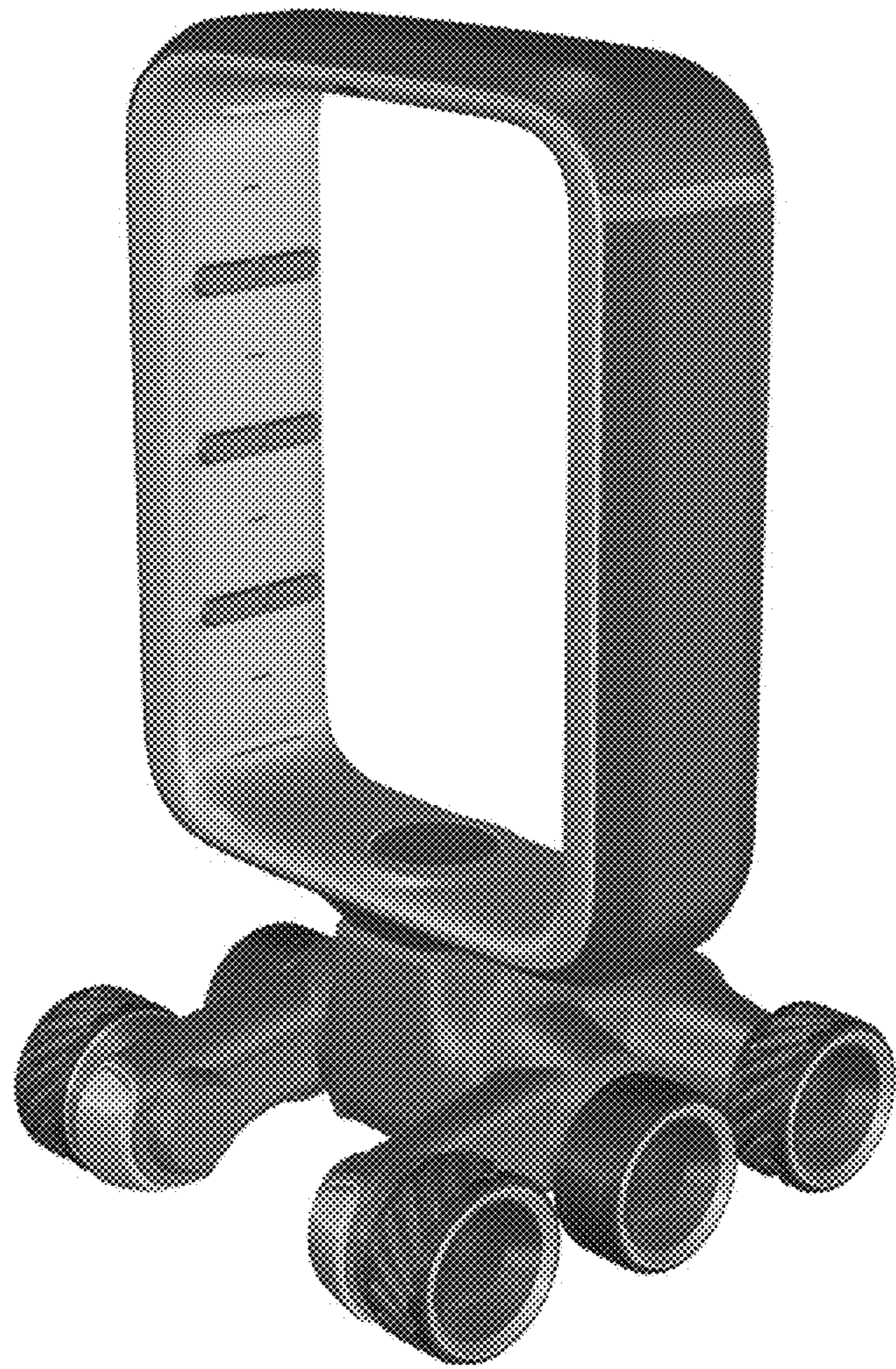


FIG. 1

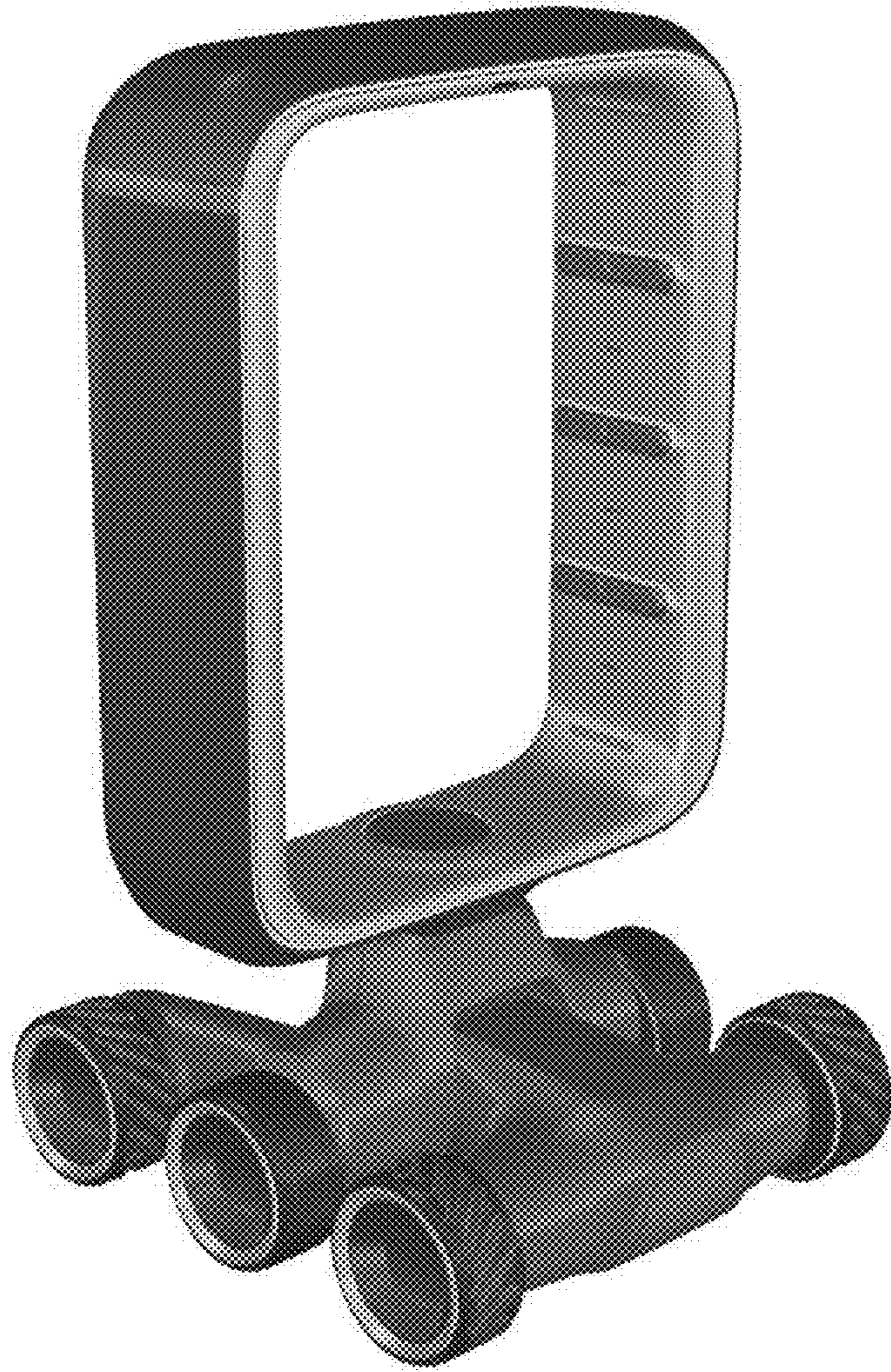


FIG. 2

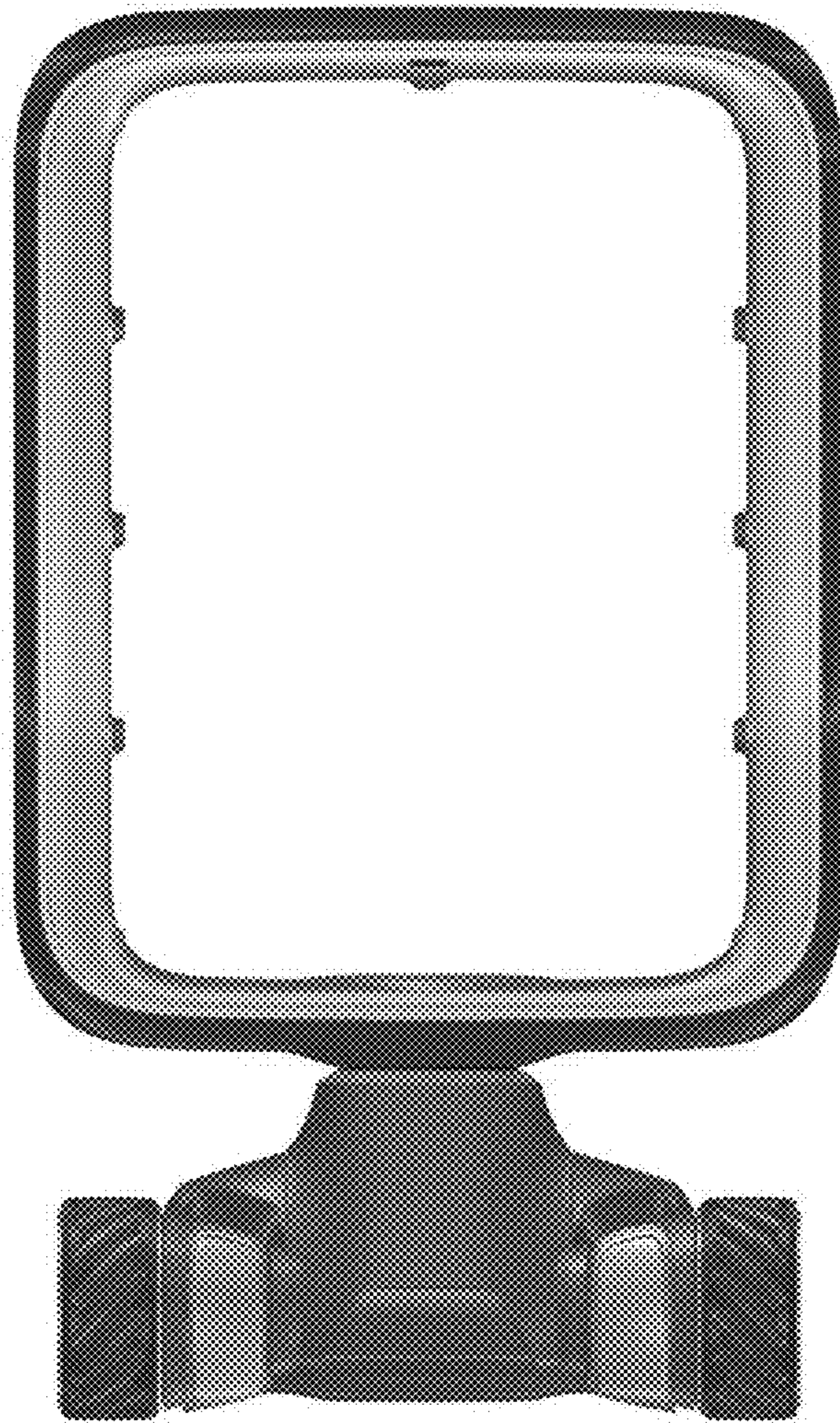


FIG. 3

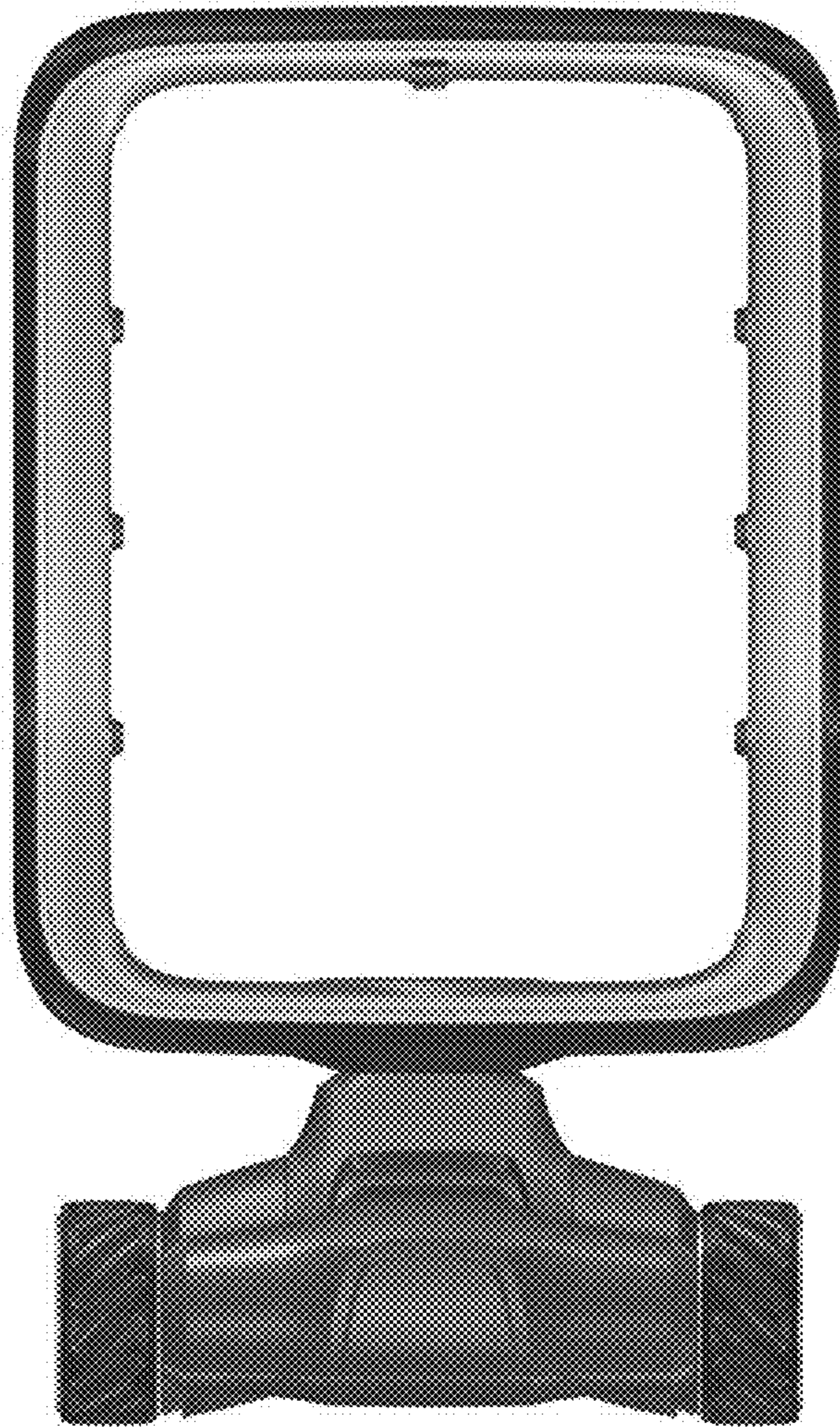


FIG. 4

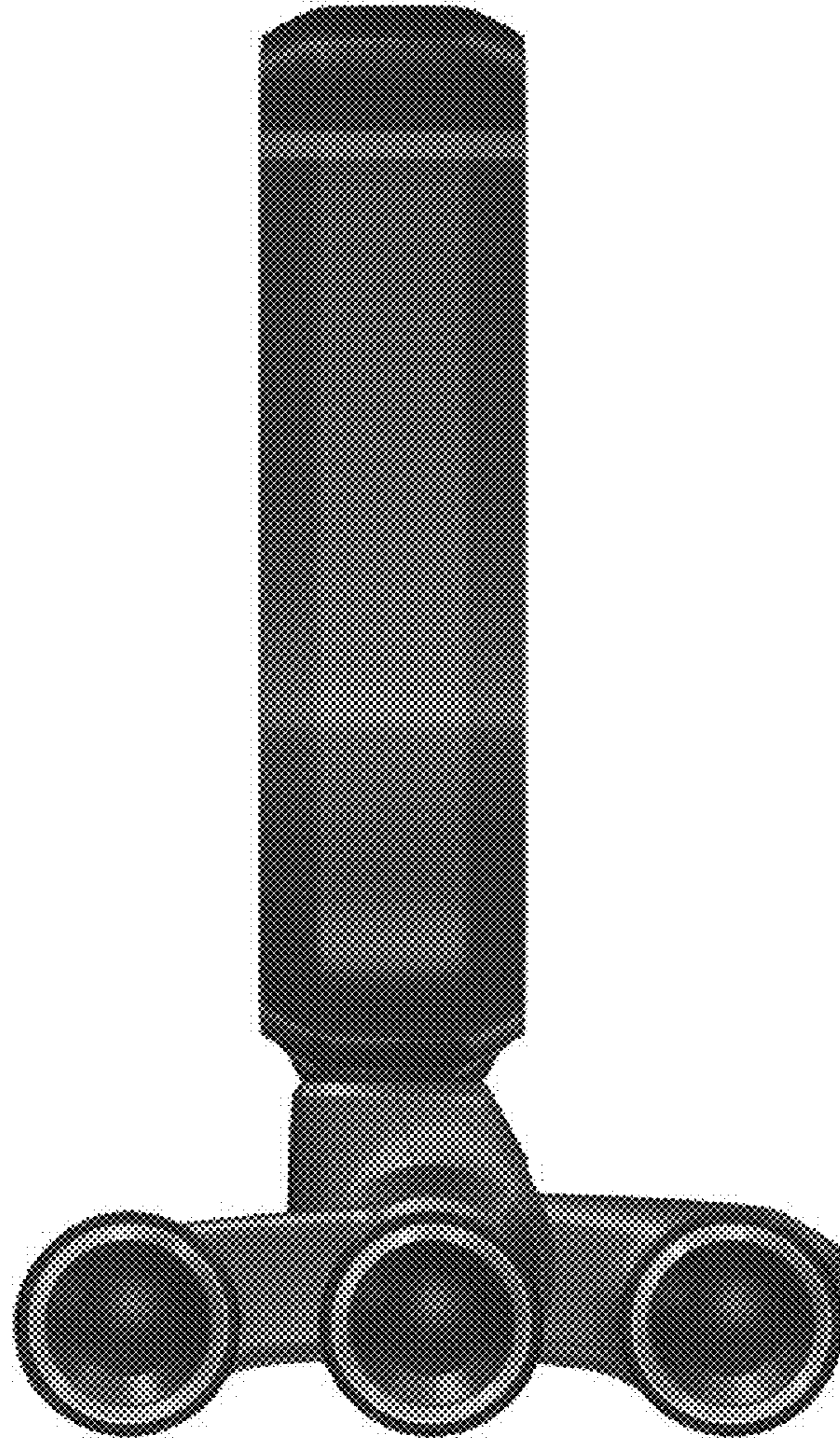


FIG. 5

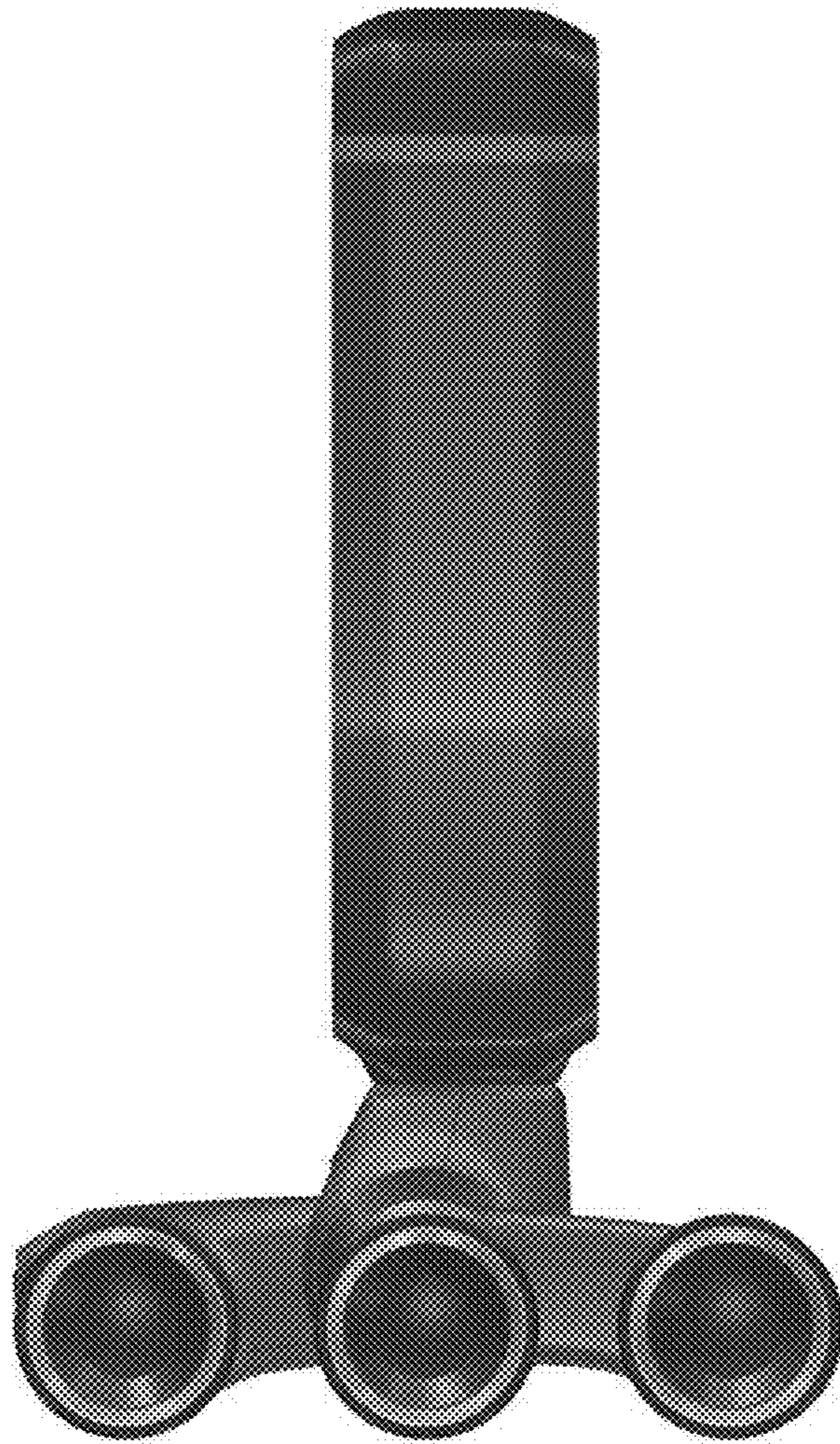


FIG. 6

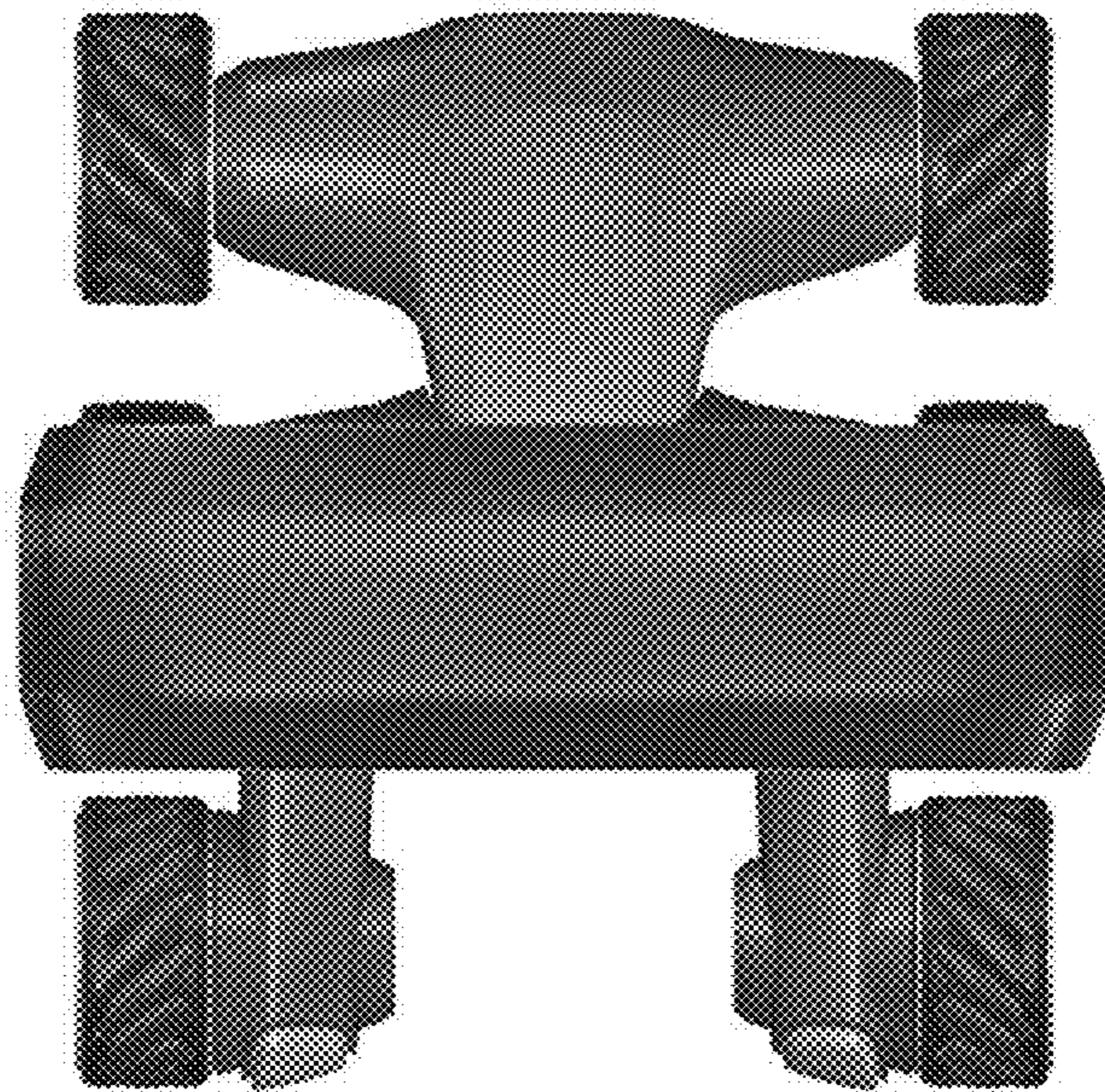


FIG. 7

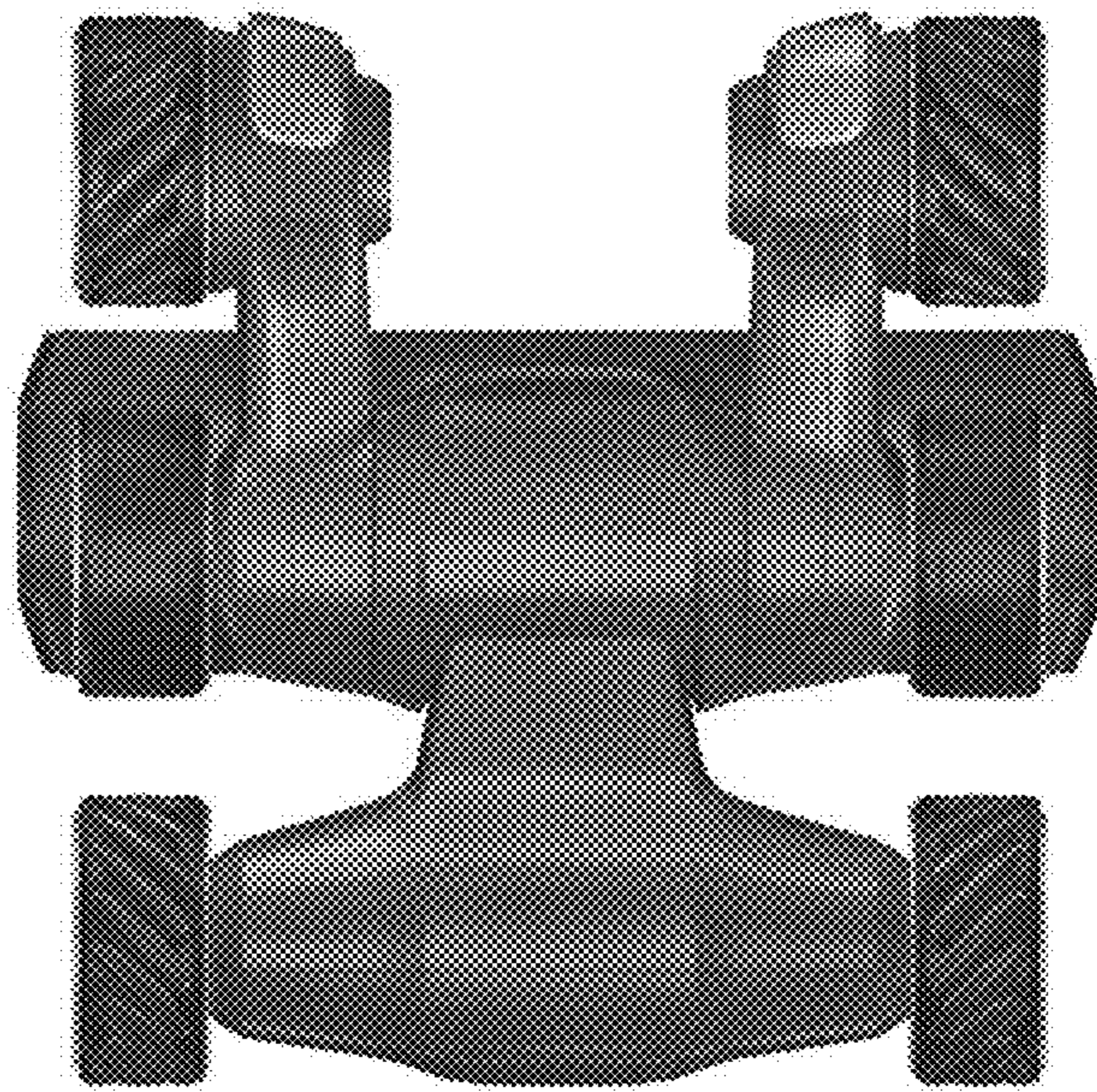


FIG. 8

UNITED STATES PATENT AND TRADEMARK OFFICE
CERTIFICATE OF CORRECTION

PATENT NO. : D917,592 S
APPLICATION NO. : 29/706441
DATED : April 27, 2021
INVENTOR(S) : Zixun Mei et al.

Page 1 of 1

It is certified that error appears in the above-identified patent and that said Letters Patent is hereby corrected as shown below:

On the Title Page

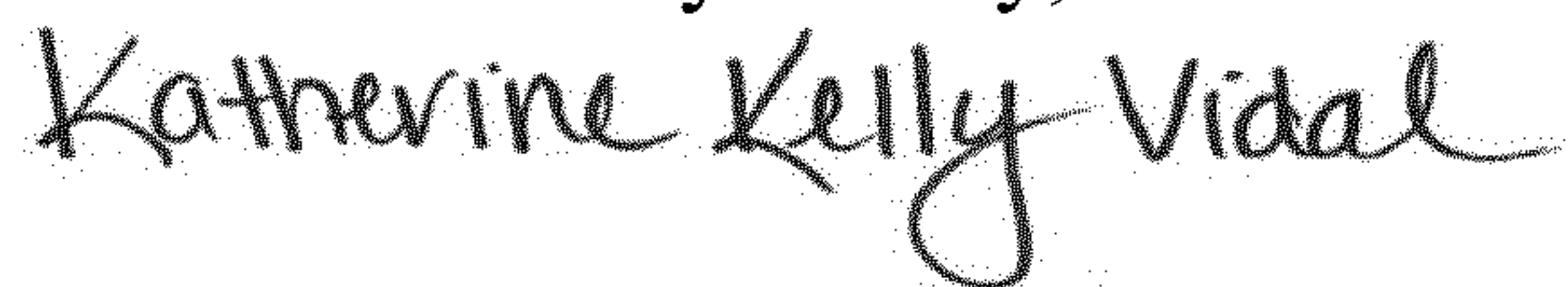
Items (71), (72), and (73) should read as follows:

(71) Applicants: **Zixun Mei**, Edogawa-ku (JP); **Hiroyuki Kobayashi**, Mitaka-shi (JP); **Takashi Nishimura**, Chofu-shi (JP)

(72) Inventors: **Zixun Mei**, Edogawa-ku (JP); **Hiroyuki Kobayashi**, Mitaka-shi (JP); **Takashi Nishimura**, Chofu-shi (JP)

(73) Assignee: **Toyota Jidosha Kabushiki Kaisha**,
Toyota-shi, Aichi-ken (JP)

Signed and Sealed this
Twelfth Day of July, 2022



Katherine Kelly Vidal
Director of the United States Patent and Trademark Office