



US00D917591S

(12) **United States Design Patent** (10) **Patent No.:** **US D917,591 S**
Xiao (45) **Date of Patent:** **** Apr. 27, 2021**

(54) **AUTOMATIC GUIDED TRANSPORT VEHICLE**

D819,711 S * 6/2018 Li D15/199
D837,852 S * 1/2019 Nilsson D15/199
D840,453 S * 2/2019 Yoo D15/199

(Continued)

(71) Applicant: **HANGZHOU HIKROBOT TECHNOLOGY CO., LTD**, Hangzhou (CN)

Primary Examiner — Patricia A Palasik

(72) Inventor: **Jinbo Xiao**, Hangzhou (CN)

(74) *Attorney, Agent, or Firm* — Norton Rose Fulbright US LLP

(73) Assignee: **HANGZHOU HIKROBOT TECHNOLOGY CO., LTD**, Hangzhou (CN)

(57) **CLAIM**

The ornamental design for an automatic guided transport vehicle, as shown and described.

(**) Term: **15 Years**

DESCRIPTION

(21) Appl. No.: **29/689,271**

(22) Filed: **Apr. 29, 2019**

(30) **Foreign Application Priority Data**

Oct. 31, 2018 (CN) 201830612204.X

(51) **LOC (13) Cl.** **15-99**

(52) **U.S. Cl.**
USPC **D15/199**; D34/34

(58) **Field of Classification Search**
USPC D15/199; D21/578–583, 621, 622;
D32/21; D34/34

CPC B23K 9/133; B23K 9/287; B25J 9/0018;
B25J 19/0025; Y10T 74/20; Y10T
74/20207; Y10T 74/20311; Y10T
74/20305; Y10S 901/01

See application file for complete search history.

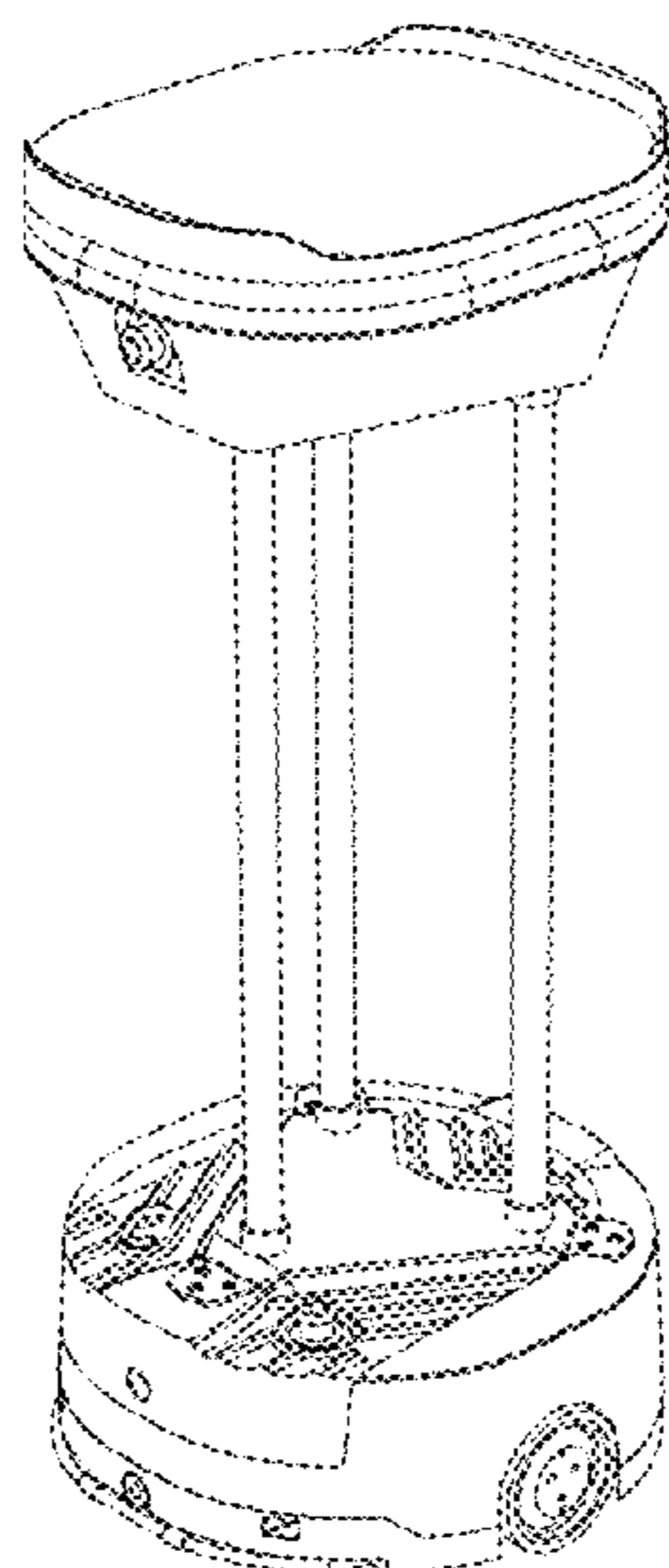
(56) **References Cited**

U.S. PATENT DOCUMENTS

D295,105 S * 4/1988 Dawson D34/18
D810,167 S * 2/2018 Yang D15/199
D810,799 S * 2/2018 Sokuza D15/199
D811,458 S * 2/2018 Wang D15/199
D813,281 S * 3/2018 Kittmann D15/199
D817,375 S * 5/2018 Deyle D15/199

FIG. 1 is a front elevation view of an automatic guided transport vehicle of our new design;
FIG. 2 is a back elevation view of the automatic guided transport vehicle shown in FIG. 1;
FIG. 3 is a left side elevation view of the automatic guided transport vehicle shown in FIG. 1;
FIG. 4 is a right side elevation view of the automatic guided transport vehicle shown in FIG. 1;
FIG. 5 is a top plan view of the automatic guided transport vehicle shown in FIG. 1;
FIG. 6 is a sectional view of the automatic guided transport vehicle, taken along line 6-6 of FIG. 1;
FIG. 7 is a sectional view of the automatic guided transport vehicle, taken along line 7-7 of FIG. 1;
FIG. 8 is a perspective view of the automatic guided transport vehicle shown in FIG. 1;
FIG. 9 is another perspective view of the automatic guided transport vehicle shown in FIG. 1;
FIG. 10 is another perspective view of the automatic guided transport vehicle shown in FIG. 1;
FIG. 11 is a reference view of the automatic guided transport vehicle shown in FIG. 1 in use; and,
FIG. 12 is another reference view of the automatic guided transport vehicle shown in FIG. 1 in use.
The bottom view is omitted because it has no essential features.

1 Claim, 6 Drawing Sheets



(56)

References Cited

U.S. PATENT DOCUMENTS

D841,067	S *	2/2019	Camporesi	D15/199
D849,813	S *	5/2019	Sutherland	D15/199
D855,673	S *	8/2019	Sutherland	D15/199
D857,073	S *	8/2019	Gayne	D15/199
D859,485	S *	9/2019	Sutherland	D15/199
D869,533	S *	12/2019	Kim	D15/199
D870,787	S *	12/2019	Kim	D15/199
D870,788	S *	12/2019	Kim	D15/199
D871,477	S *	12/2019	Kolb	D15/199
D872,788	S *	1/2020	Sutherland	D15/199
D873,173	S *	1/2020	Brucker	D12/1
D879,174	S *	3/2020	Kammermeier	D15/199
D879,852	S *	3/2020	Chen	D15/199
D884,764	S *	5/2020	Mori	D15/199
D887,468	S *	6/2020	Hirvesaar	D15/199
D888,790	S *	6/2020	Yao	D15/199
D890,239	S *	7/2020	Srivastava	D15/199
D892,188	S *	8/2020	Galluzzo	D15/199
D893,570	S *	8/2020	Zheng	D15/199
D894,987	S *	9/2020	Li	D15/199
2004/0042885	A1 *	3/2004	Rokkaku	B60L 15/38 414/529
2009/0035181	A1 *	2/2009	Chung	G01N 35/0099 422/68.1
2010/0316468	A1 *	12/2010	Lert	B65G 1/1373 414/273
2011/0135189	A1 *	6/2011	Lee	B25J 9/1682 382/153
2014/0074287	A1 *	3/2014	LaFary	B25J 9/1676 700/253
2015/0073589	A1 *	3/2015	Khodl	B65G 1/1378 700/218
2017/0337506	A1 *	11/2017	Wise	G06Q 10/087
2018/0072212	A1 *	3/2018	Alfaro	G05D 1/0278
2018/0099811	A1 *	4/2018	Shen	B66F 9/063

* cited by examiner

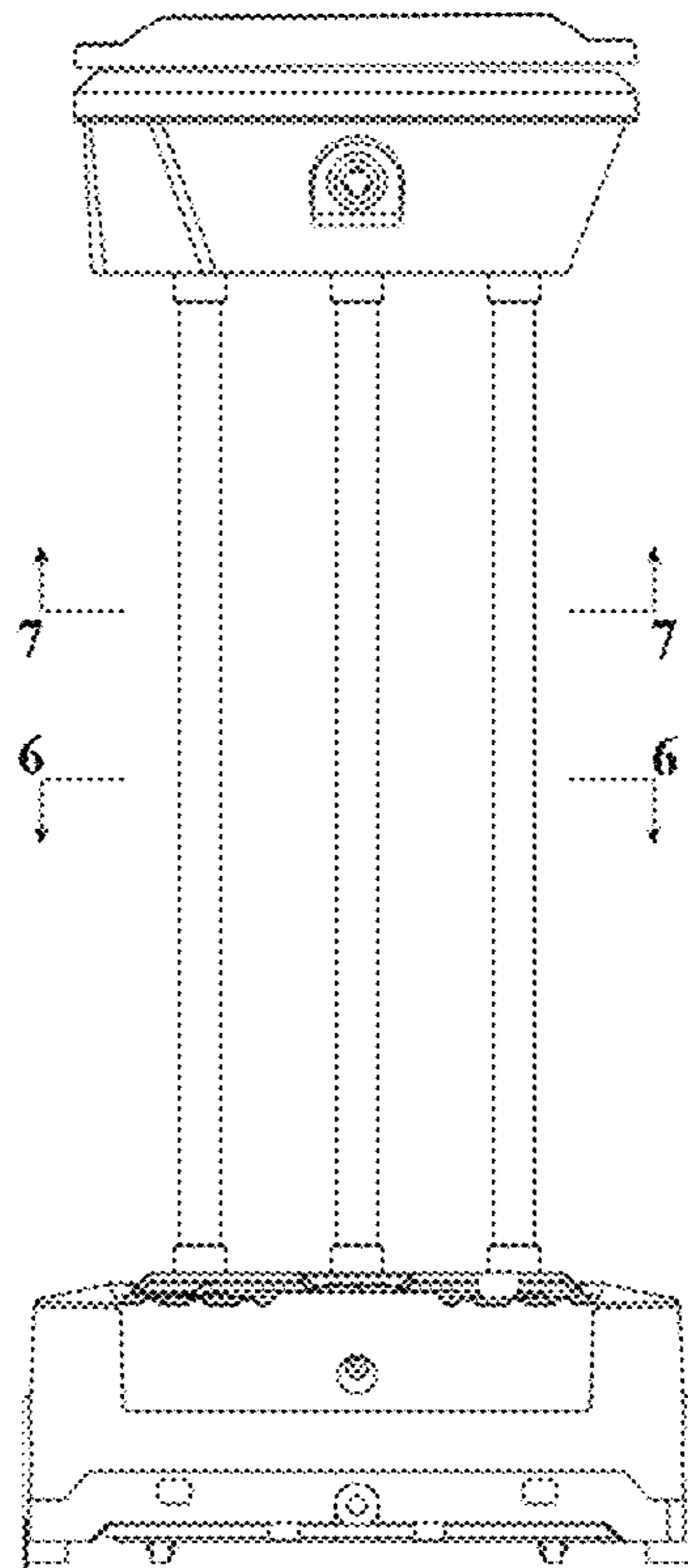


FIG. 1

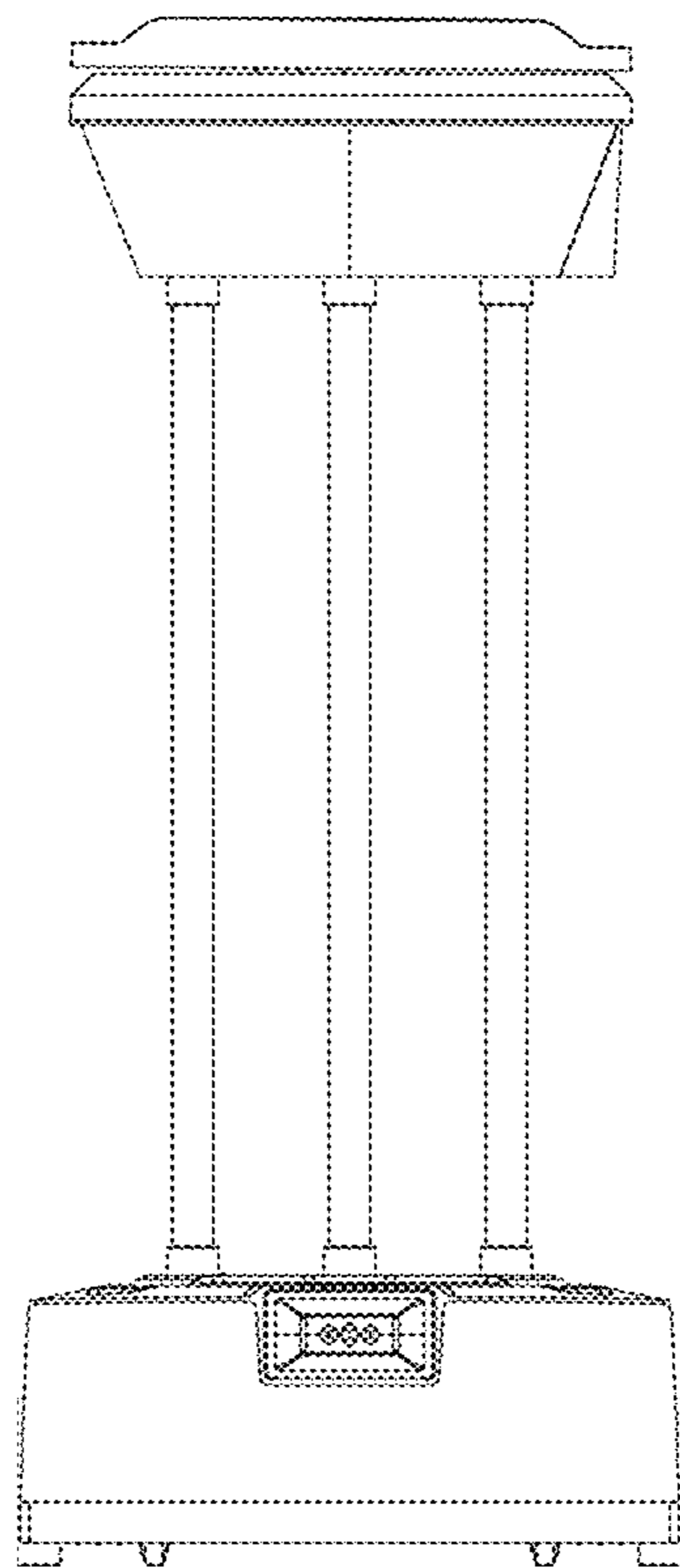


FIG. 2

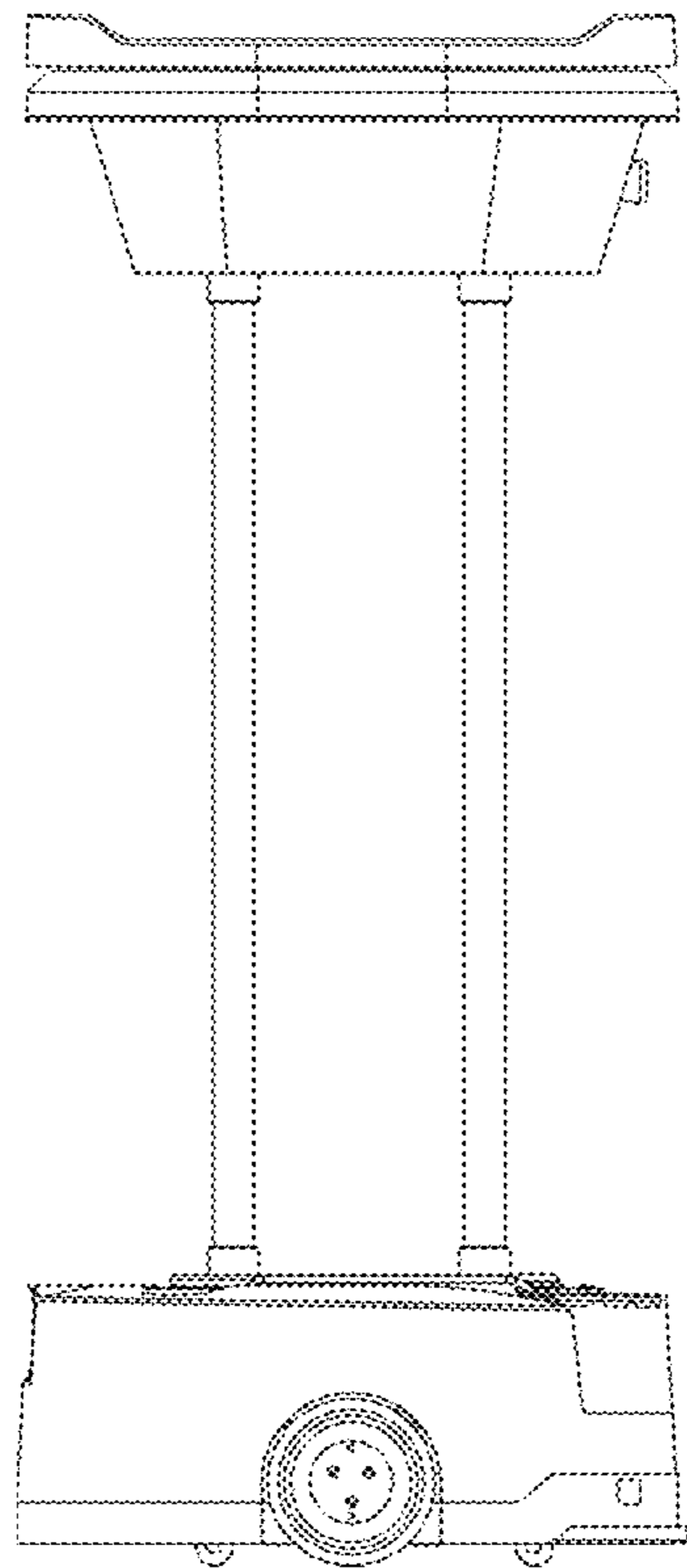


FIG. 3

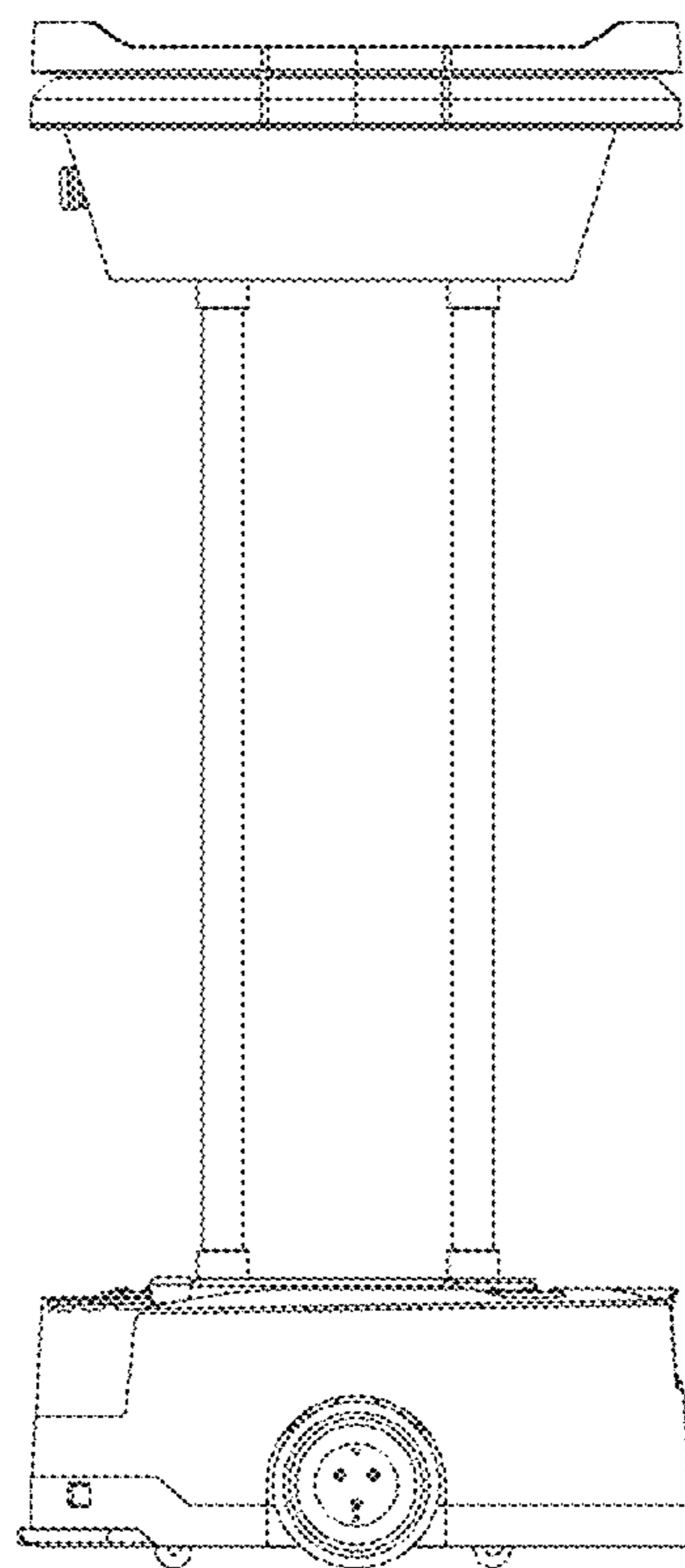


FIG. 4

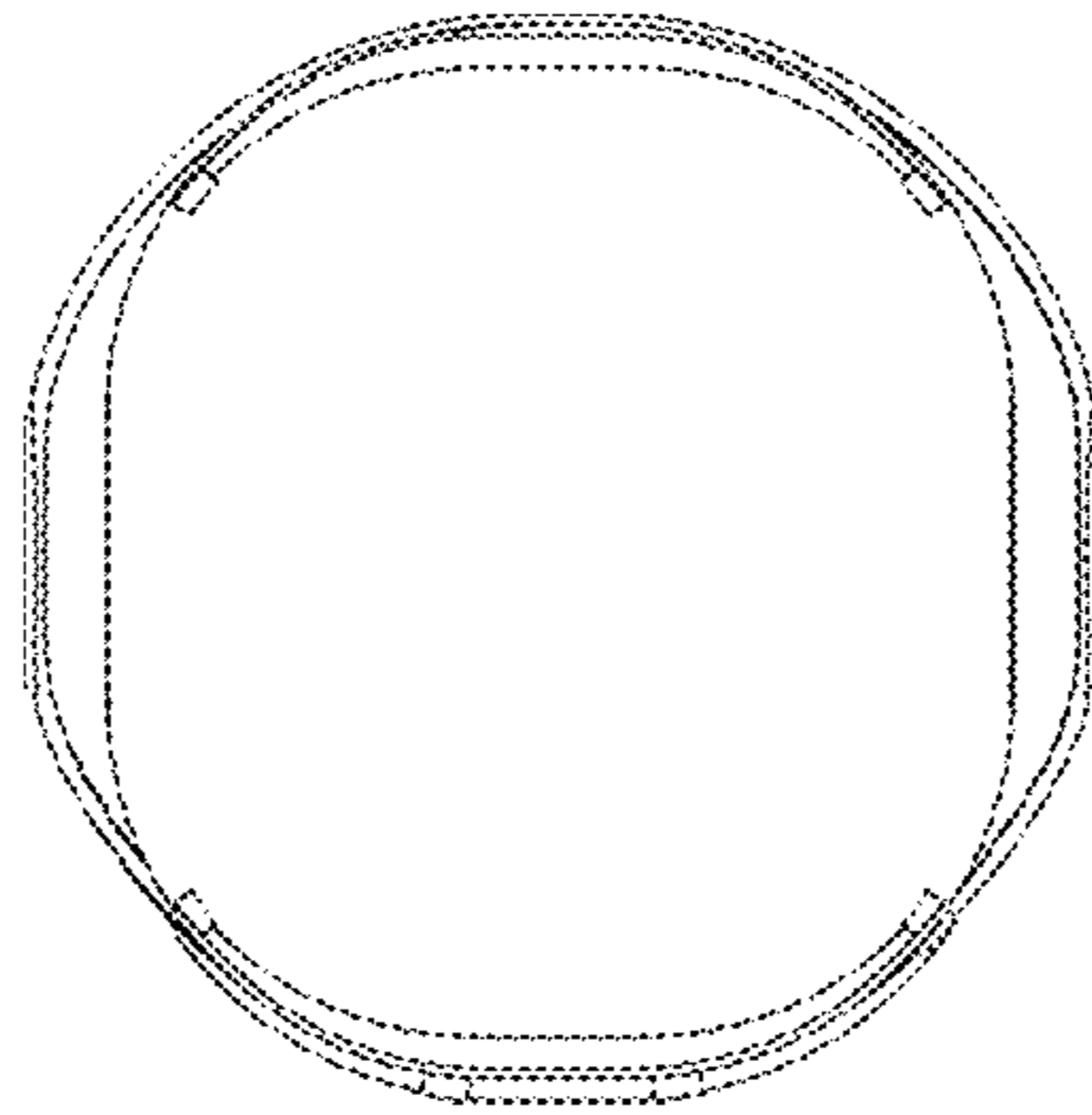


FIG. 5

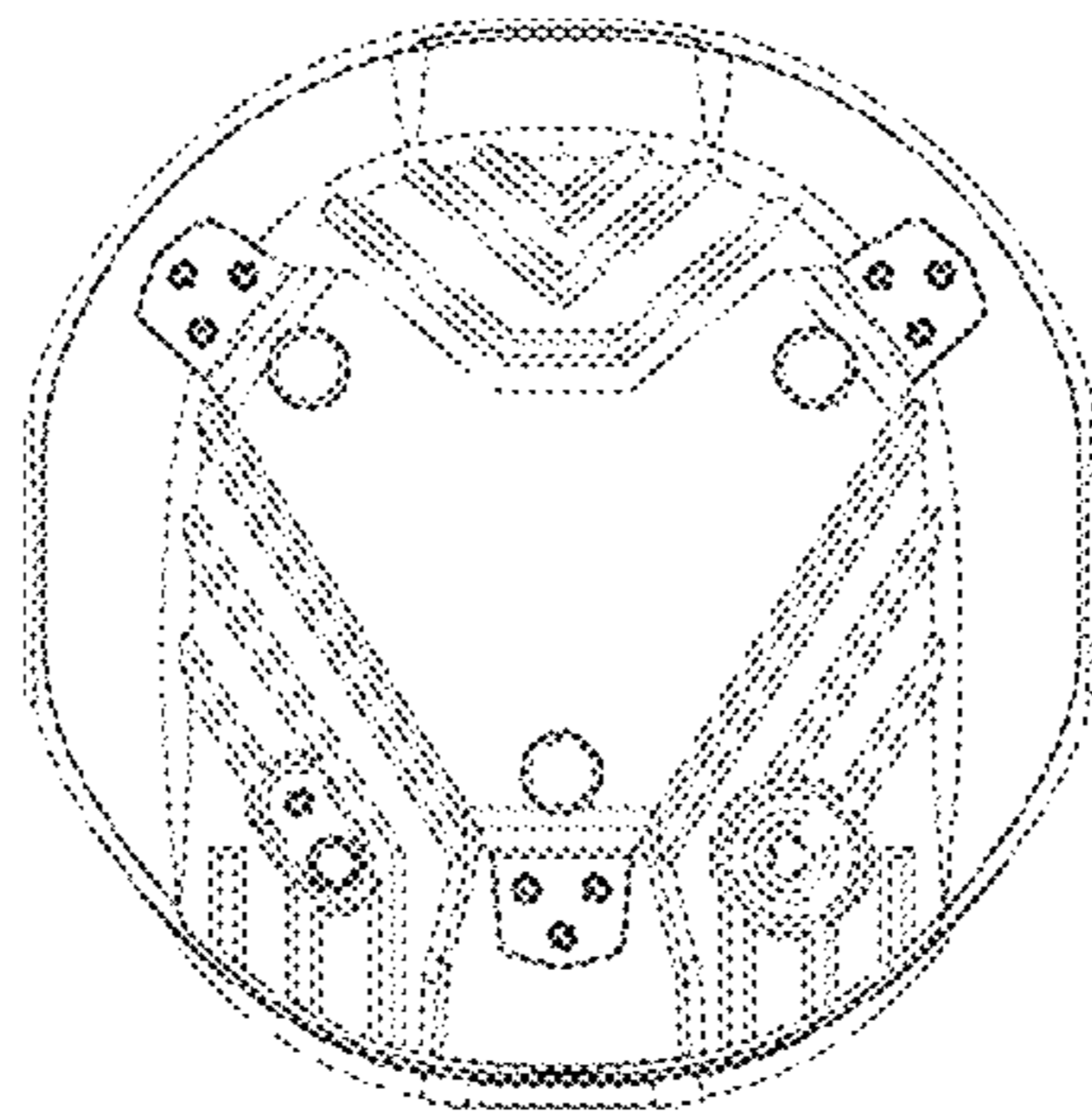


FIG. 6

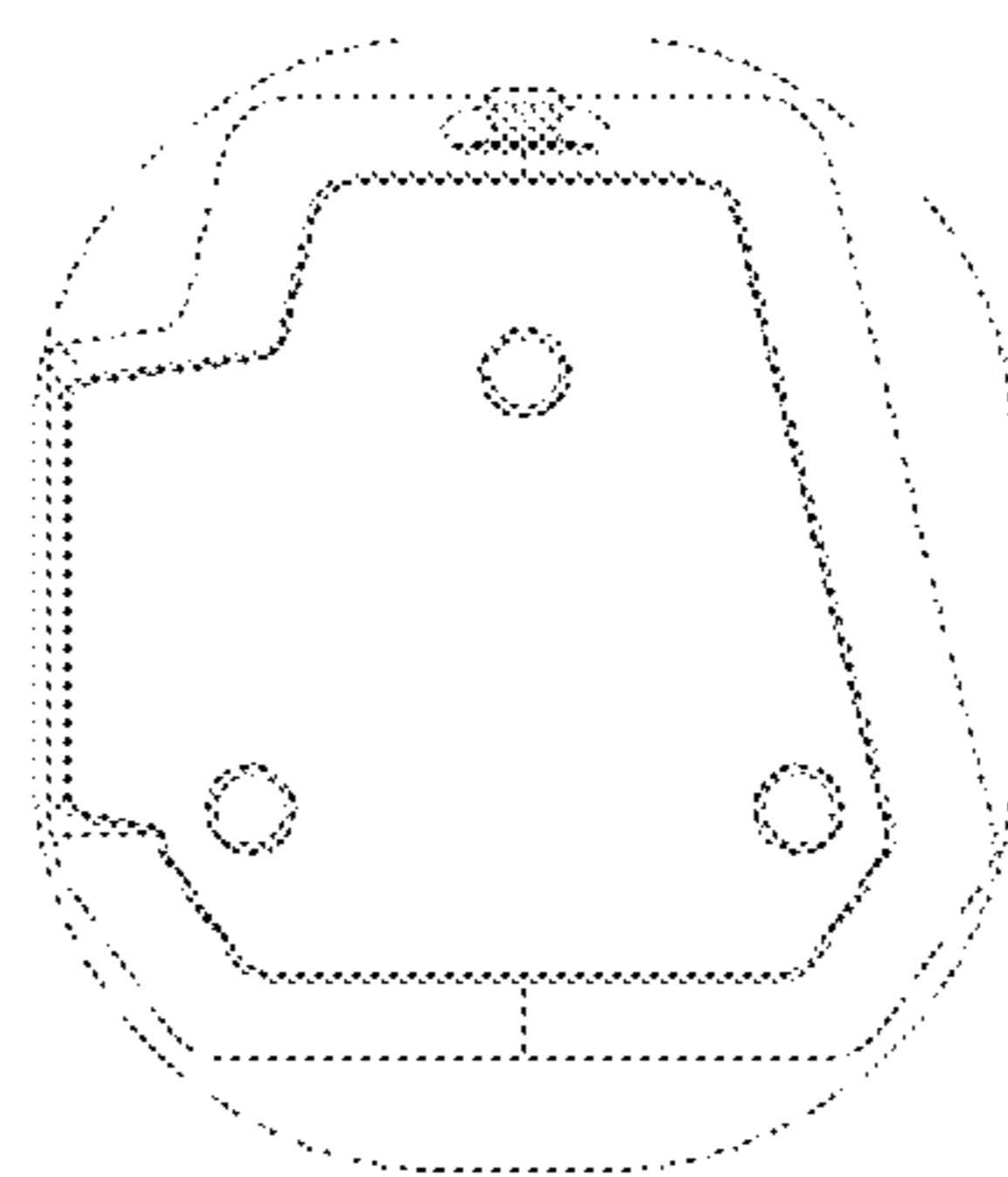


FIG. 7

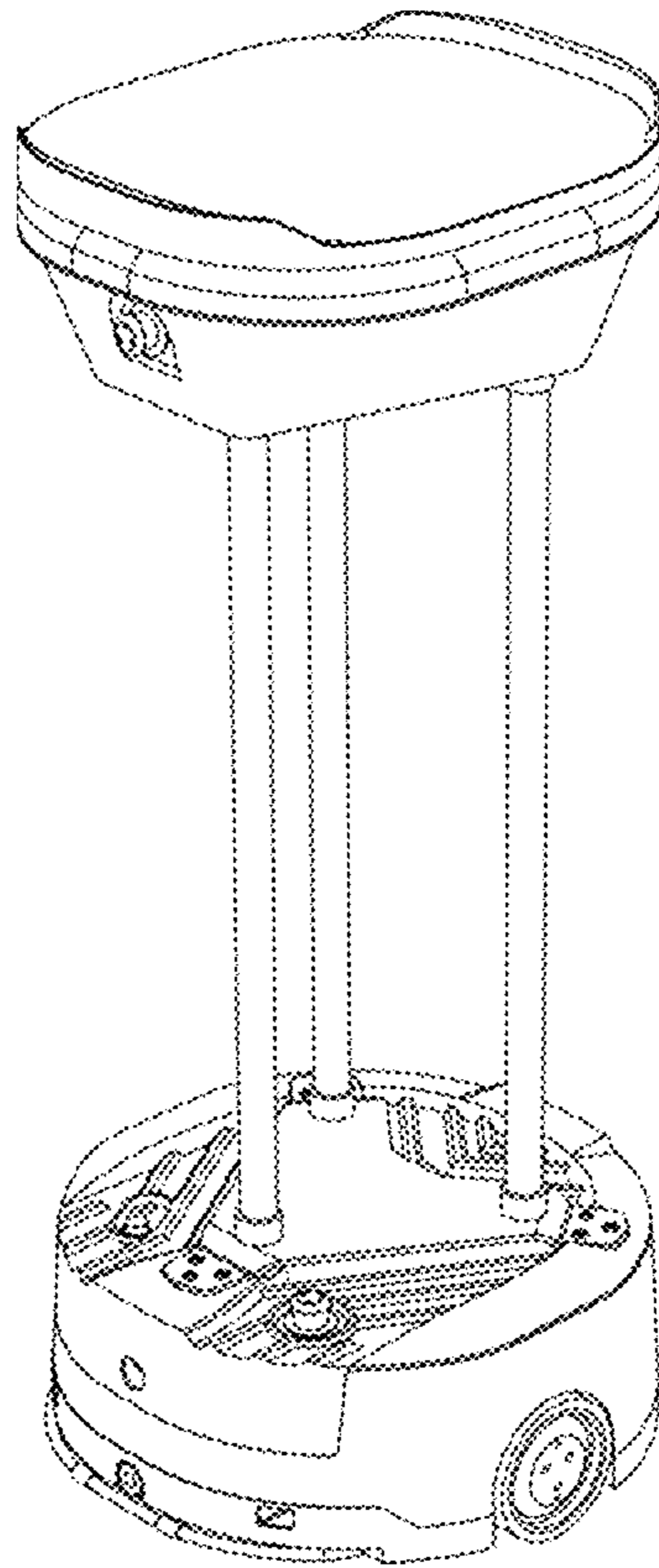


FIG. 8

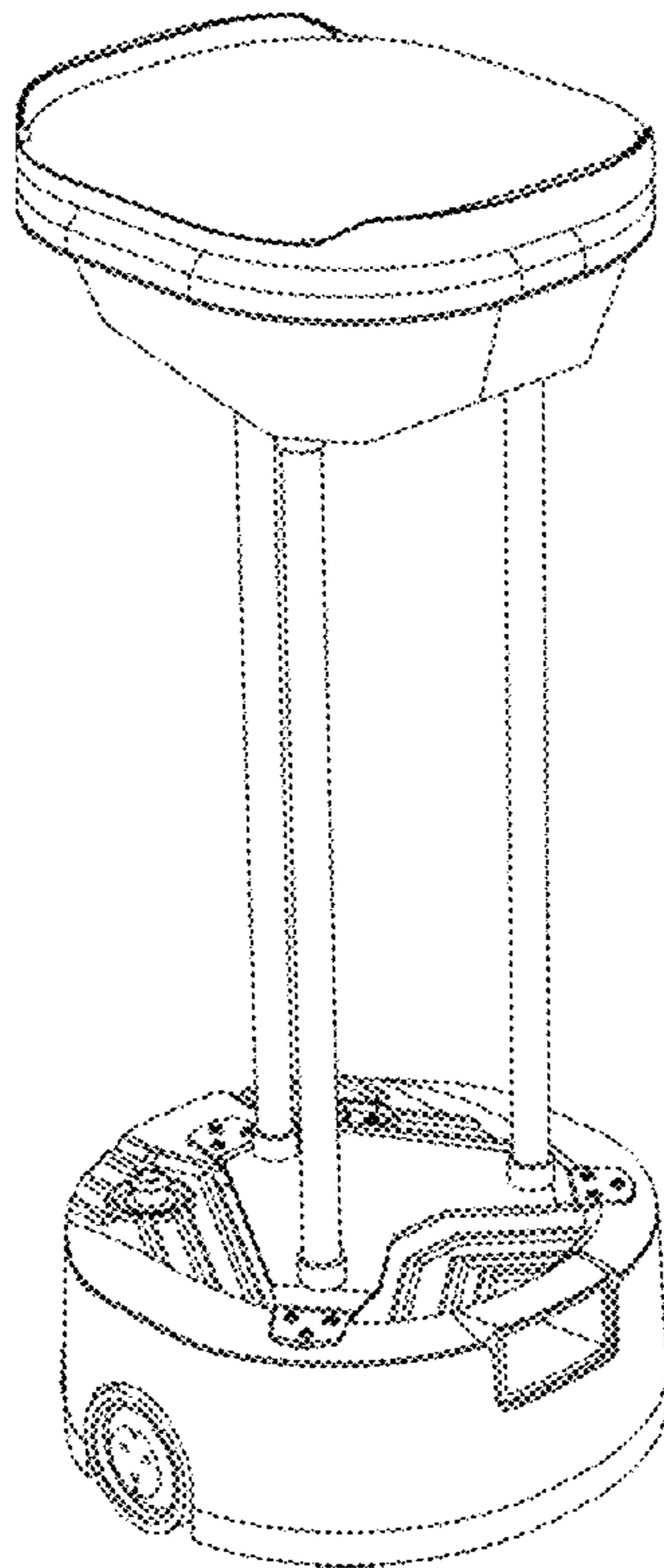


FIG. 9

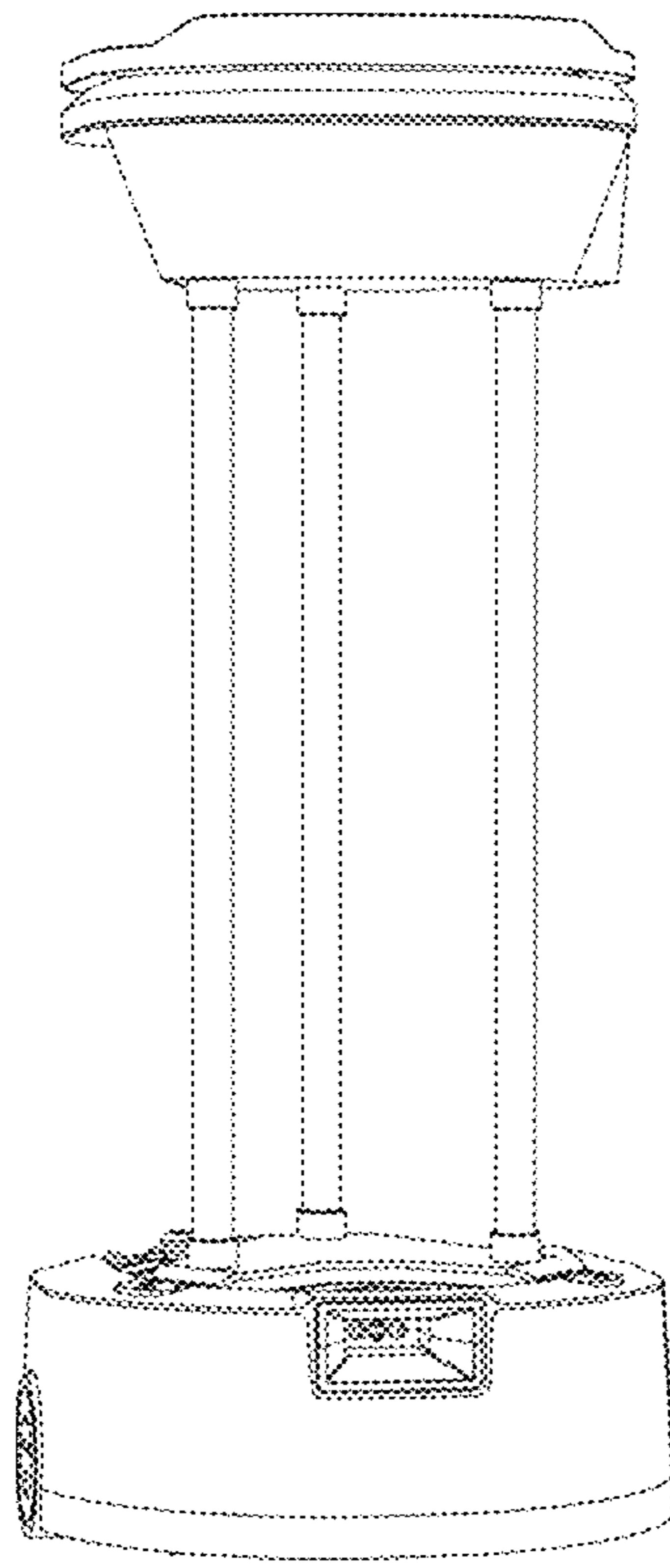


FIG. 10

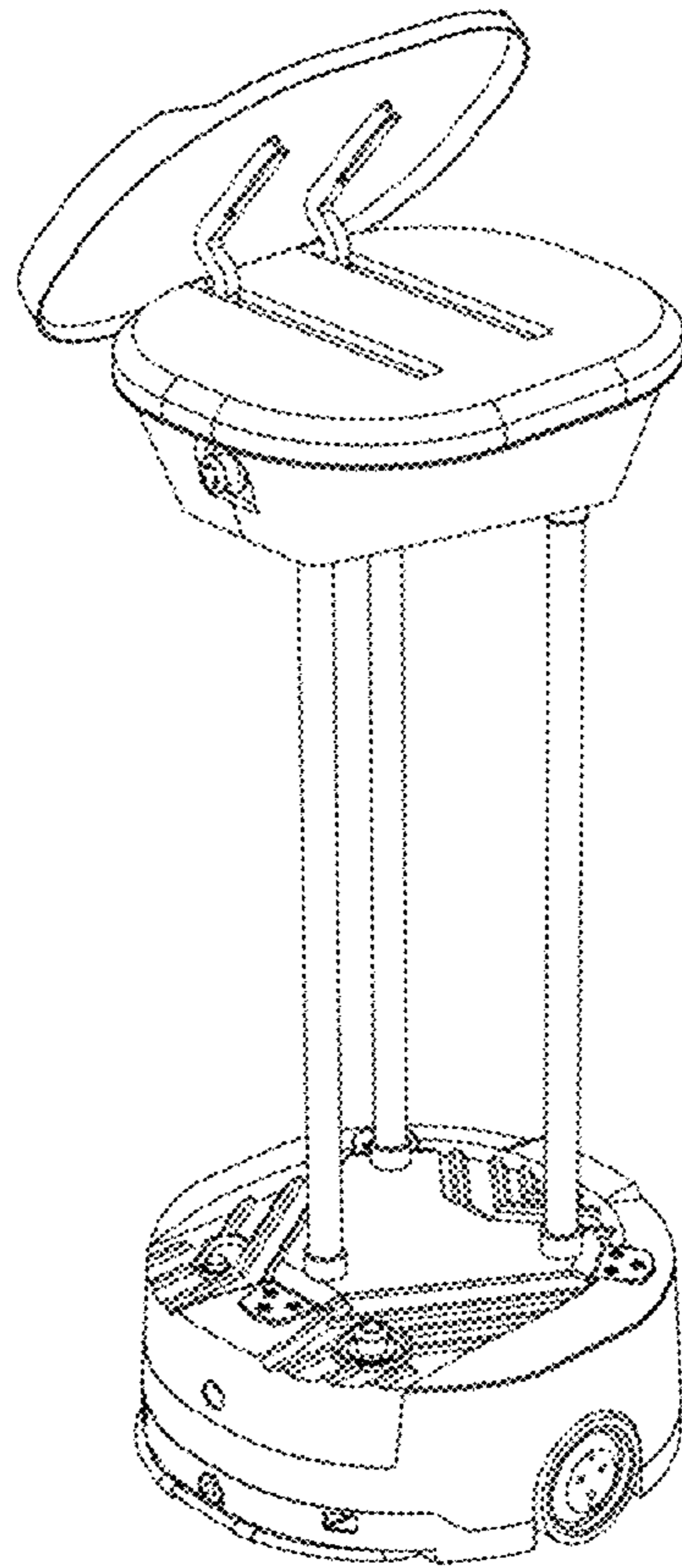


FIG. 11

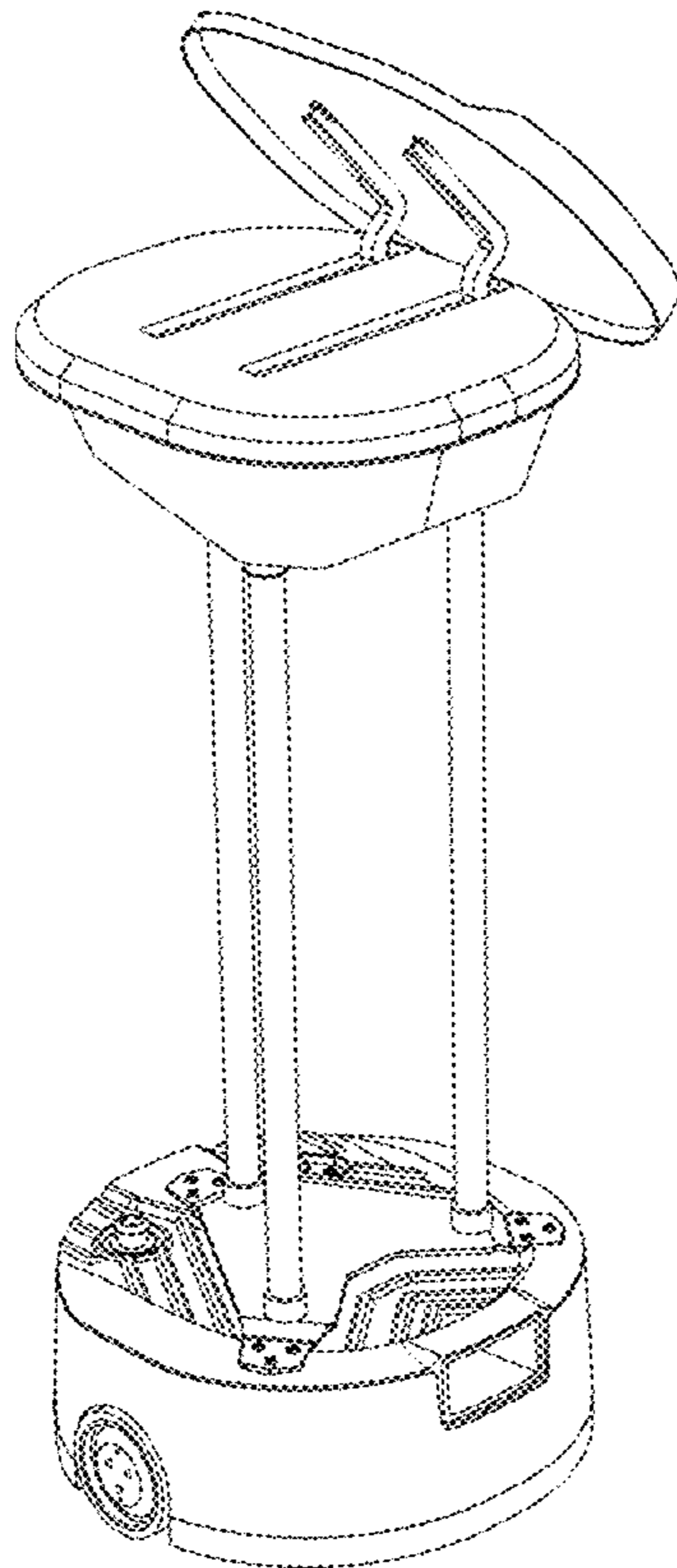


FIG. 12