



US00D917590S

(12) **United States Design Patent** (10) **Patent No.:** **US D917,590 S**  
**Li** (45) **Date of Patent:** **\*\* Apr. 27, 2021**

(54) **INTELLIGENT TRANSPORTING ROBOT  
(SECOND GENERATION)**

(71) Applicants: **Beijing Jingdong Shangke  
Information Technology Co., Ltd.,  
Beijing (CN); Beijing Jingdong  
Century Trading Co., Ltd., Beijing  
(CN)**

(72) Inventor: **Li Li, Beijing (CN)**

(73) Assignees: **Beijing Jingdong Shangke  
Information Technology Co., Ltd.,  
Beijing (CN); Beijing Jingdong  
Century Trading Co., Ltd., Beijing  
(CN)**

(\*\*) Term: **15 Years**

(21) Appl. No.: **29/666,960**

(22) Filed: **Oct. 17, 2018**

(30) **Foreign Application Priority Data**

Apr. 17, 2018 (CN) ..... 201830157713.8

(51) **LOC (13) Cl.** ..... **15-99**

(52) **U.S. Cl.**  
USPC ..... **D15/199**

(58) **Field of Classification Search**  
USPC ..... D15/199; D21/578-583, 621, 622;  
D32/21

CPC ..... B25J 5/007; B25J 9/1664; B25J 9/1684;  
B25J 13/089; B60B 19/006; B62D  
57/024; H01F 7/0221; Y10S 901/01

See application file for complete search history.

(56) **References Cited**

**U.S. PATENT DOCUMENTS**

4,137,984 A \* 2/1979 Jennings ..... B62D 1/28  
180/168  
4,962,453 A \* 10/1990 Pong, Jr. .... A47L 11/4011  
180/167

D451,931 S \* 12/2001 Abramson ..... D15/14  
D527,854 S \* 9/2006 Marzynski ..... D15/199  
D691,337 S \* 10/2013 Kim ..... D32/21  
D704,400 S \* 5/2014 Shin ..... D32/21  
D720,510 S \* 12/2014 Shin ..... D32/21  
D720,511 S \* 12/2014 Shin ..... D32/21  
D743,647 S \* 11/2015 Heck ..... D32/21  
D748,878 S \* 2/2016 Dooley ..... D32/21  
D781,955 S \* 3/2017 Kim ..... D18/50  
D810,799 S \* 2/2018 Sokuza ..... D15/199  
D812,663 S \* 3/2018 Waters ..... D15/199  
D832,372 S \* 10/2018 Huang ..... D21/578  
2005/0144904 A1 \* 7/2005 Veltkamp ..... E04B 1/803  
52/782.1

\* cited by examiner

*Primary Examiner* — Patricia A Palasik

(74) *Attorney, Agent, or Firm* — Wolf, Greenfield & Sacks, P.C.

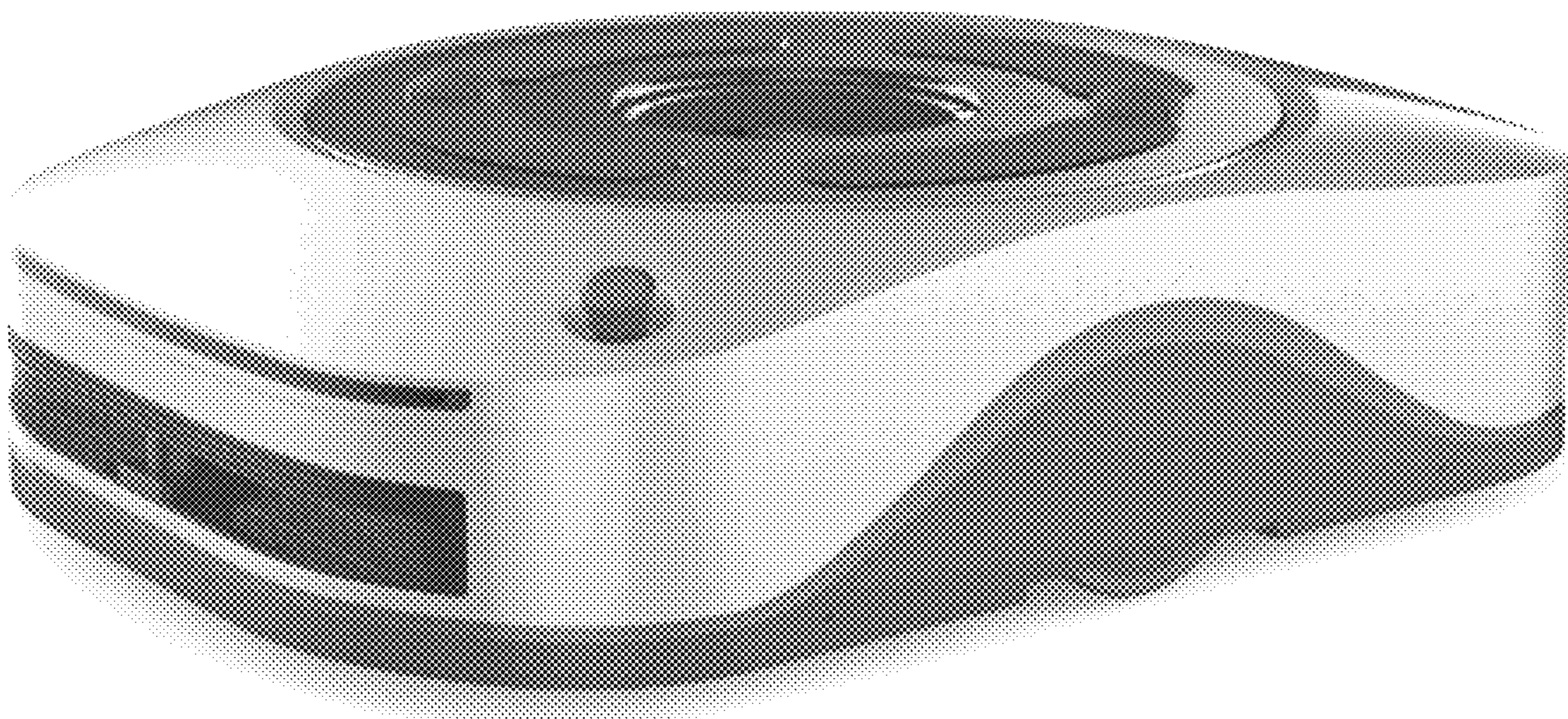
(57) **CLAIM**

The ornamental design for an intelligent transporting robot (second generation), as shown and described.

**DESCRIPTION**

FIG. 1 is a front view of the new design; FIG. 2 is a back view of the new design; FIG. 3 is a left view of the new design; FIG. 4 is a right view of the new design; FIG. 5 is a top view of the new design; FIG. 6 is a perspective view 1 of the new design; and, FIG. 7 is a perspective view 2 of the new design. The dot-dash broken lines represent the bounds of the claimed design while all other broken lines are directed to environment and are for illustrative purposes only; the broken lines form no part of the claimed design.

**1 Claim, 7 Drawing Sheets**



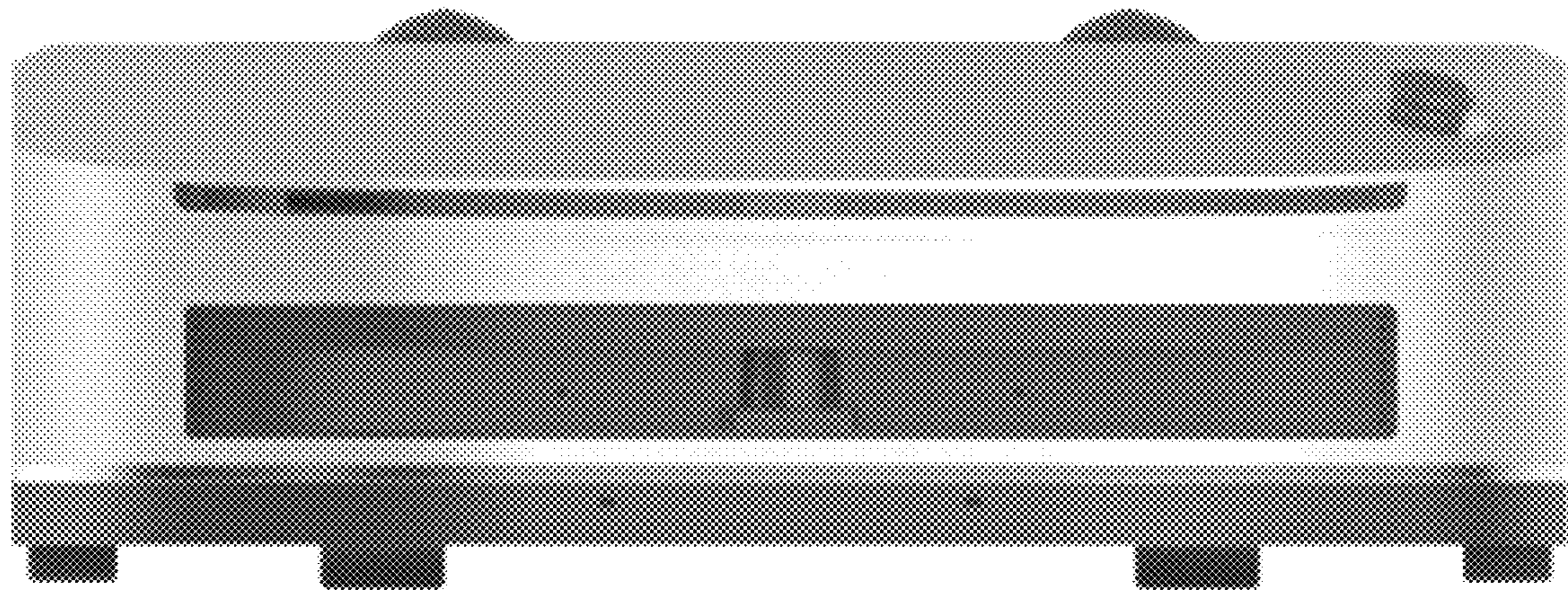


FIG. 1

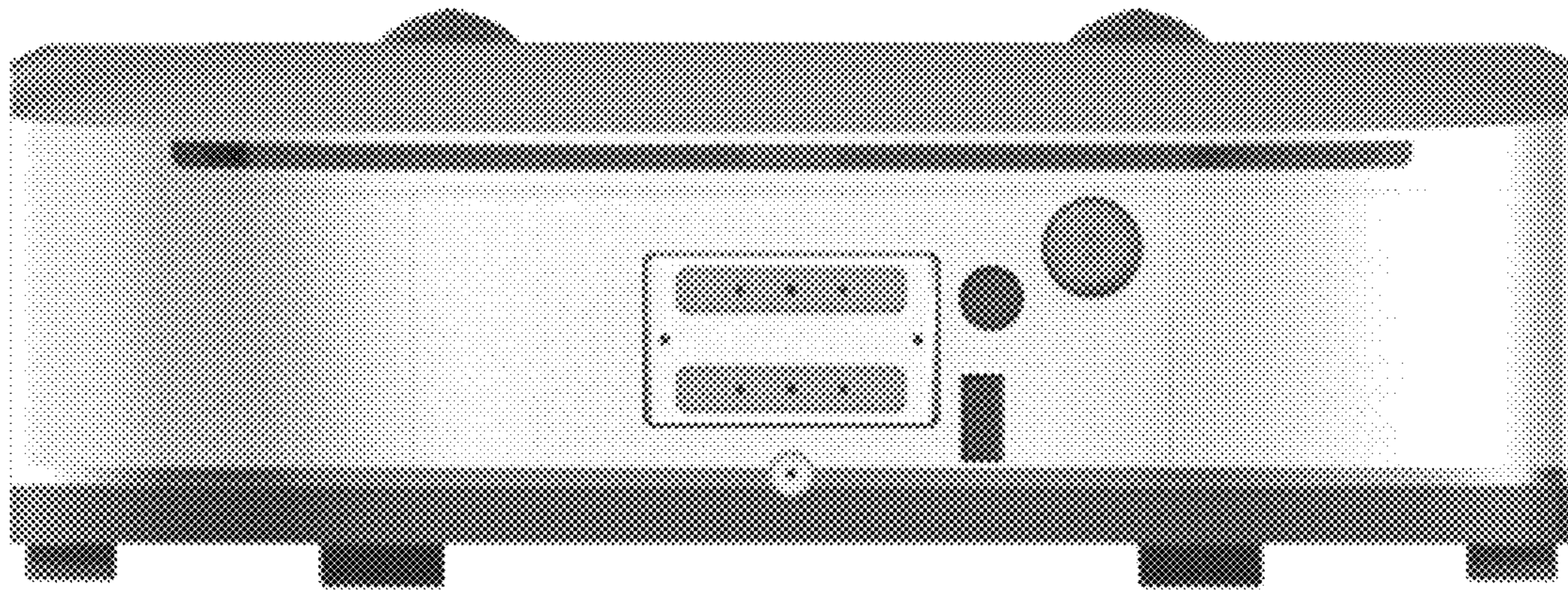


FIG. 2

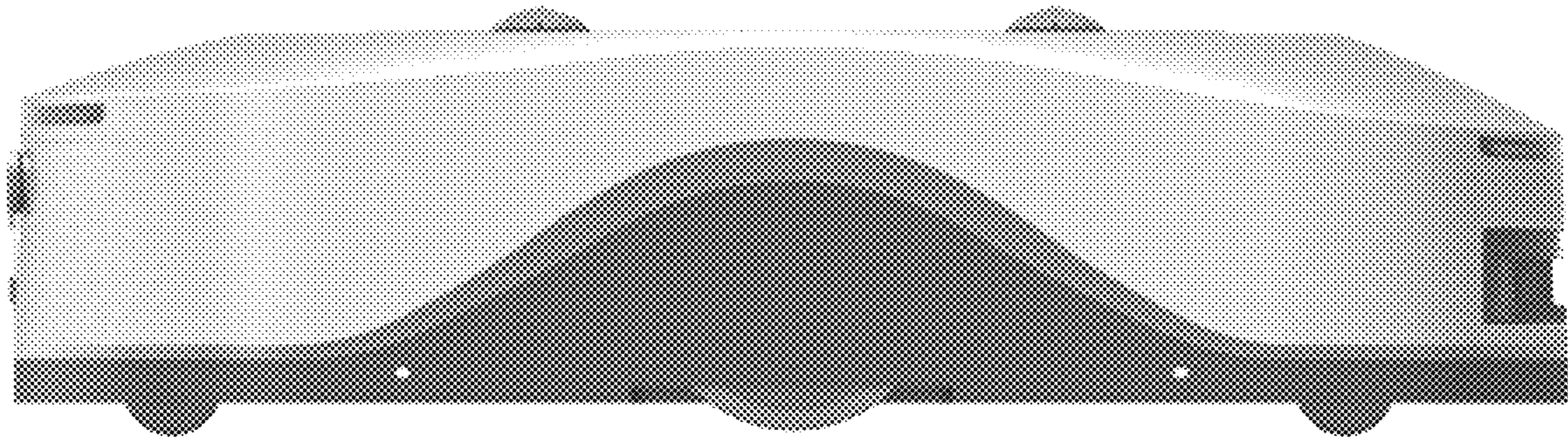


FIG. 3

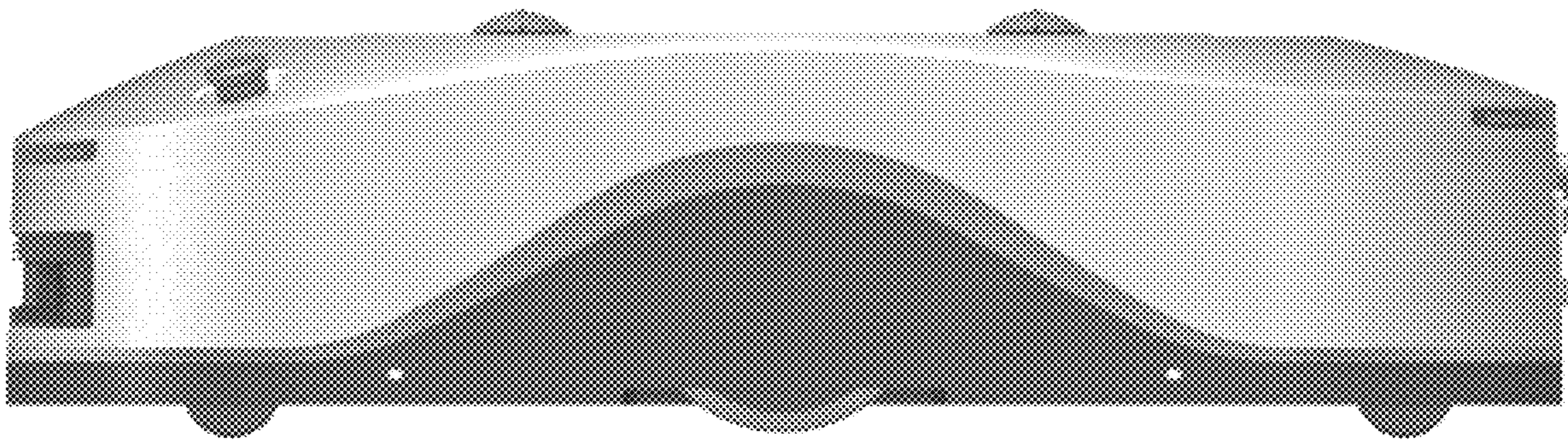


FIG. 4



FIG. 5

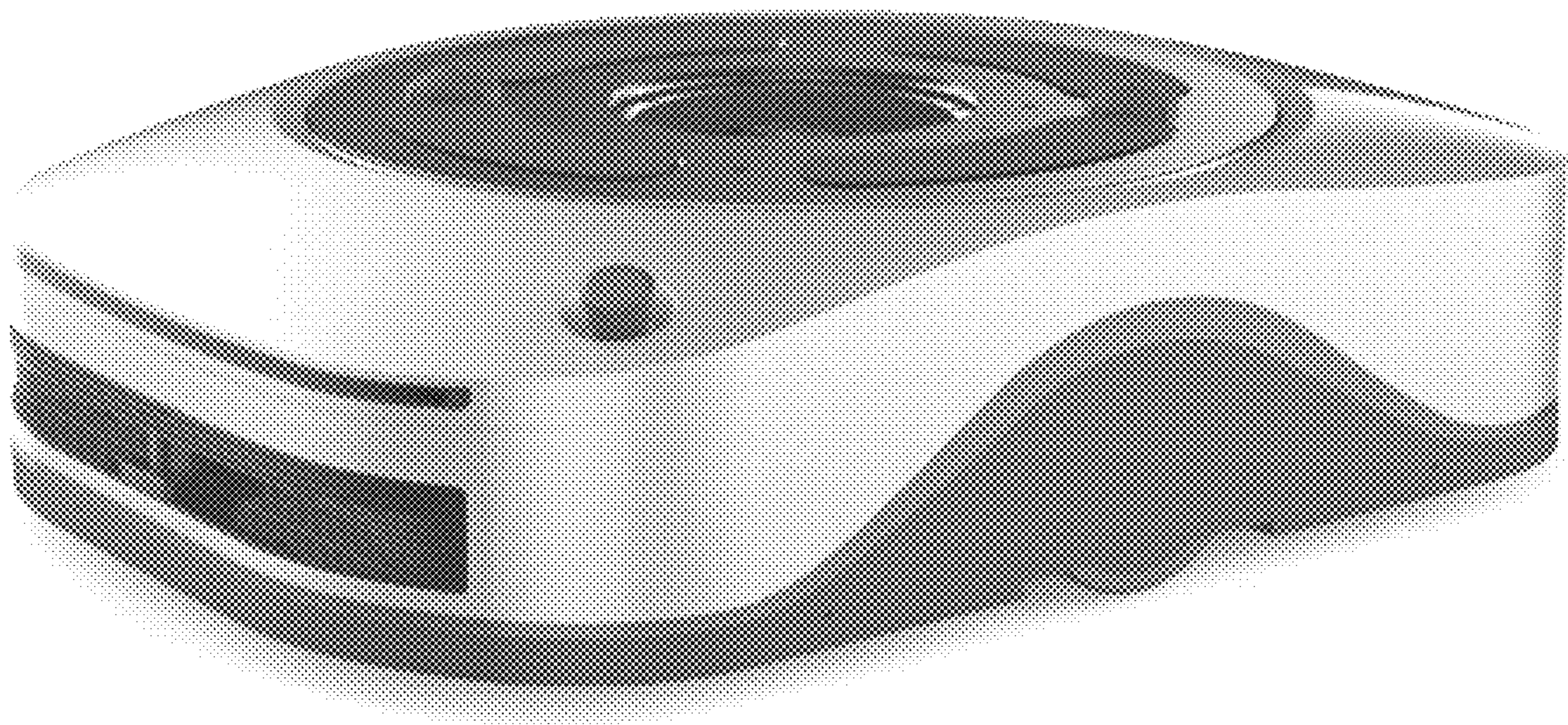


FIG. 6

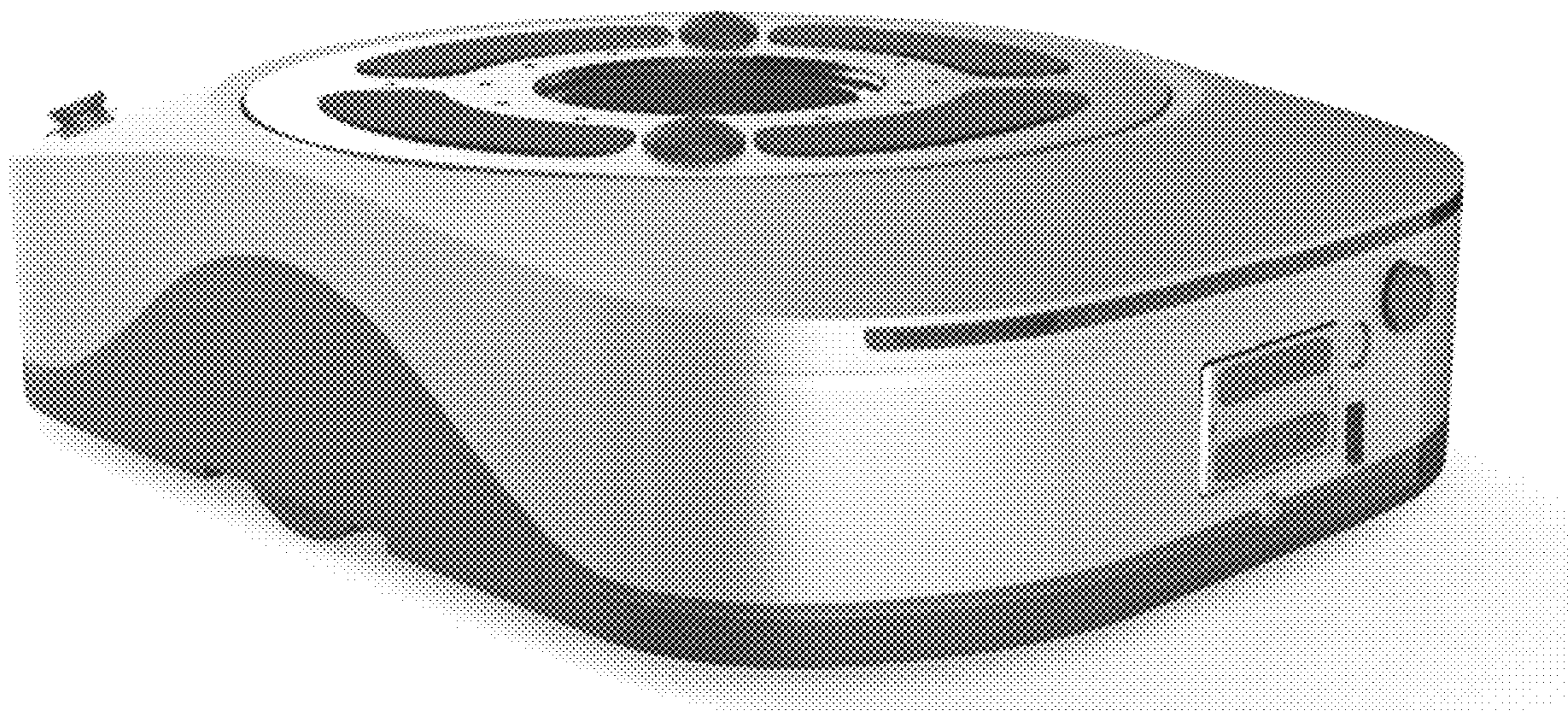


FIG. 7