



US00D917589S

(12) **United States Design Patent** (10) **Patent No.:** **US D917,589 S**
Lin et al. (45) **Date of Patent:** **** Apr. 27, 2021**

(54) **DRILL BIT**

(71) Applicant: **Bosch Power Tools (China) Co. Ltd.**,
Zhejiang (CN)

(72) Inventors: **Jie Lin**, Zhejiang (CN); **Chenyong Li**,
Zhejiang (CN)

(73) Assignees: **Bosch Power Tools (China Co. Ltd.)**,
Zhejiang (CN); **Robert Bosch GmbH**,
Stuttgart (DE)

(**) Term: **15 Years**

(21) Appl. No.: **29/689,027**

(22) Filed: **Apr. 26, 2019**

(30) **Foreign Application Priority Data**

Oct. 26, 2018 (CN) 201830601337.7

(51) **LOC (13) Cl.** **15-09**

(52) **U.S. Cl.**
USPC **D15/139**

(58) **Field of Classification Search**
USPC D8/20, 61, 70, 85, 86; D15/138, 139,
D15/140
CPC B23B 51/02; B23B 2251/18; B23B
2251/241; B23B 2251/404; Y10T 408/04;
Y10T 408/78; Y10T 408/89; Y10T
408/909; Y10T 408/9095; Y10T 408/9097
See application file for complete search history.

(56) **References Cited**

U.S. PATENT DOCUMENTS

4,819,736 A * 4/1989 Hedgepeth A01B 1/16
172/25
D372,485 S * 8/1996 Stone D15/139
D376,809 S * 12/1996 Stone D15/139
D394,663 S * 5/1998 Stone D15/139
D455,446 S * 4/2002 Collins D15/139

D507,585 S * 7/2005 Held D15/139
D604,751 S * 11/2009 Dost D15/139
D608,801 S * 1/2010 Evatt D15/139

(Continued)

Primary Examiner — Michael C Stout

Assistant Examiner — Fritzgerald L Butac

(74) *Attorney, Agent, or Firm* — Maginot, Moore & Beck
LLP

(57) **CLAIM**

The ornamental design for a drill bit, as shown and
described.

DESCRIPTION

FIG. 1 is a perspective view of a first embodiment of a drill
bit showing our new design;

FIG. 2 is a right side elevational view of the drill bit of FIG.
1;

FIG. 3 is a left side elevational view of the drill bit of FIG.
1;

FIG. 4 is a front side elevational view of the drill bit of FIG.
1;

FIG. 5 is a rear side elevational view of the drill bit of FIG.
1;

FIG. 6 is a top plan view of the drill bit of FIG. 1; and

FIG. 7 is a bottom plan view of the drill bit of FIG. 1.

FIG. 8 is a perspective view of a second embodiment of a
drill bit showing our new design;

FIG. 9 is a right side elevational view of the drill bit of FIG.
8;

FIG. 10 is a left side elevational view of the drill bit of FIG.
8;

FIG. 11 is a front side elevational view of the drill bit of FIG.
8;

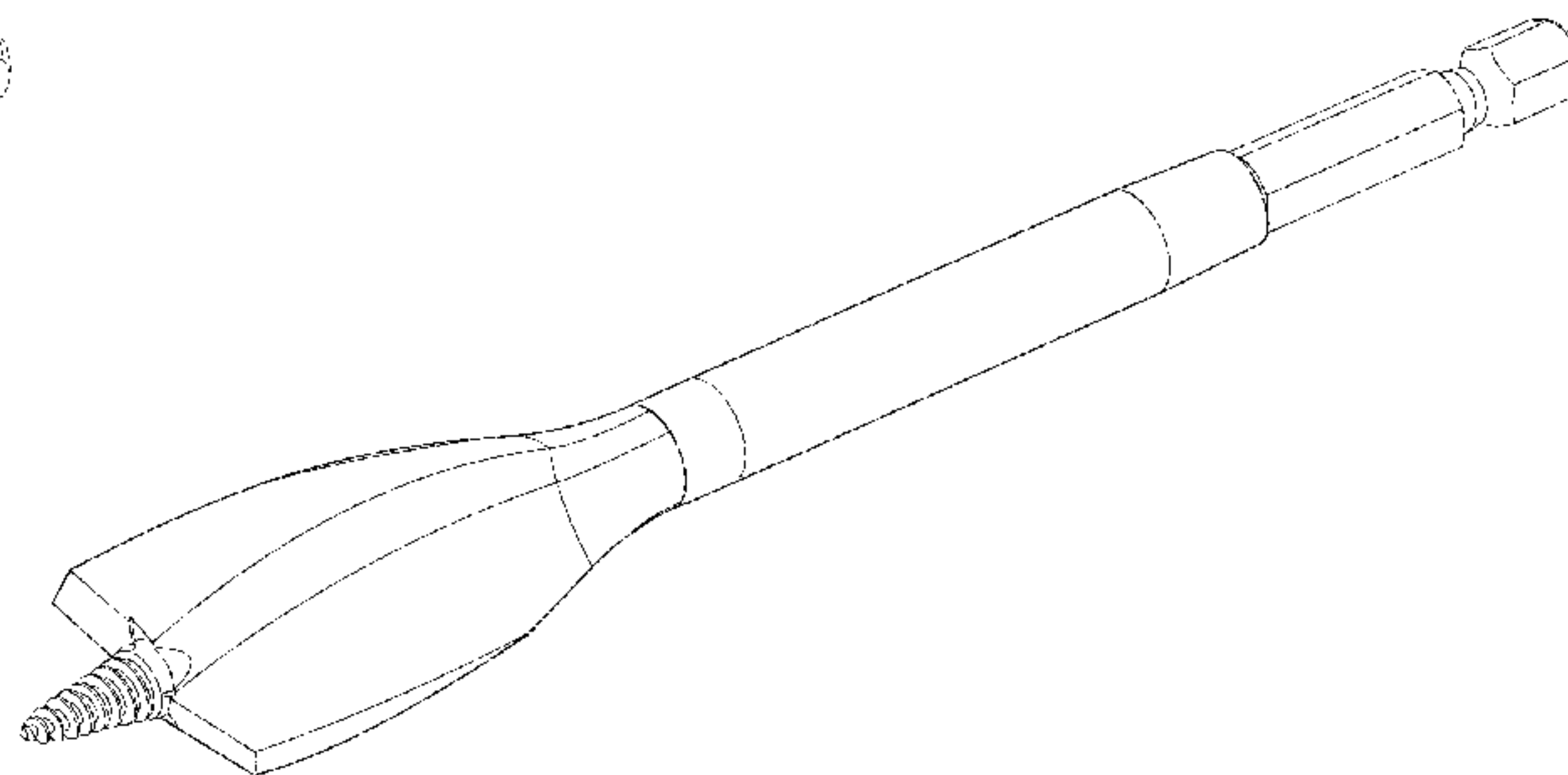
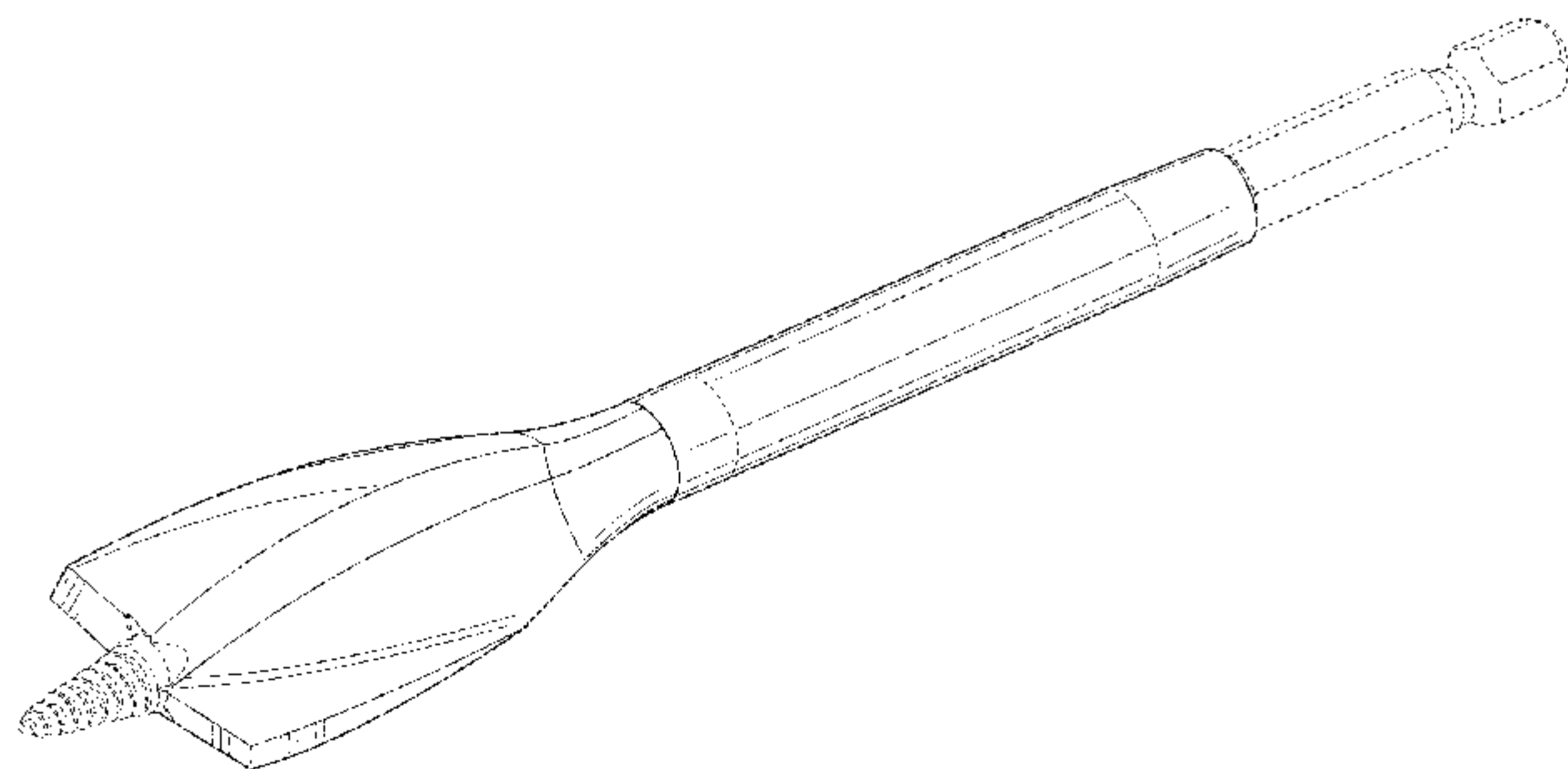
FIG. 12 is a rear side elevational view of the drill bit of FIG.
8;

FIG. 13 is a top plan view of the drill bit of FIG. 8; and

FIG. 14 is a bottom plan view of the drill bit of FIG. 8.

The broken lines shown in the drawings illustrate portions of
the drill bit that form no part of the claimed design.

1 Claim, 12 Drawing Sheets



(56)

References Cited

U.S. PATENT DOCUMENTS

D627,805 S	*	11/2010	Dost	D15/139
D863,384 S	*	10/2019	Weber	D15/139
D872,782 S	*	1/2020	Howell	D15/139
D890,826 S	*	7/2020	Howell	D15/139
D892,183 S	*	8/2020	Parendo	D15/139

* cited by examiner

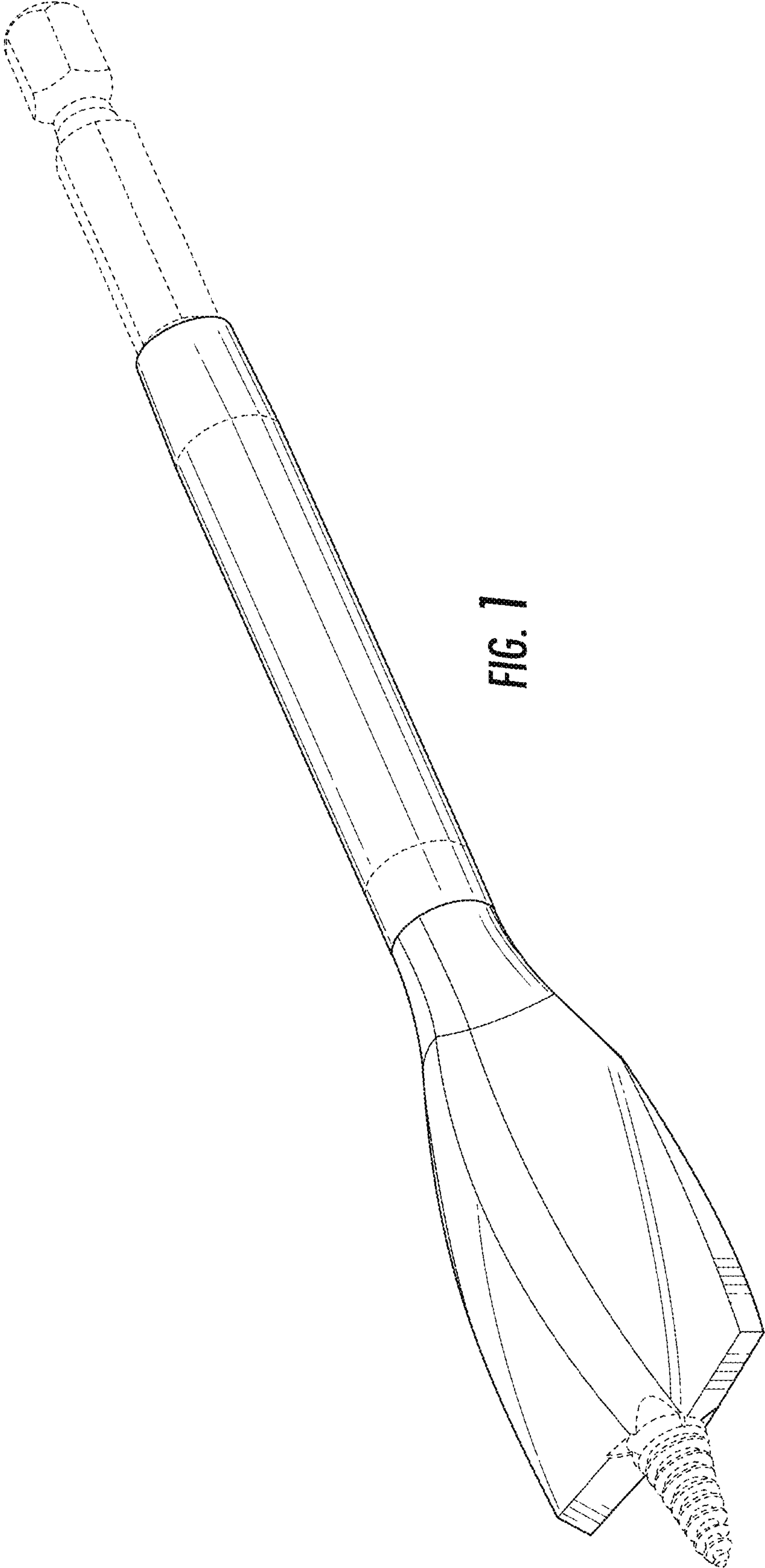


FIG. 1

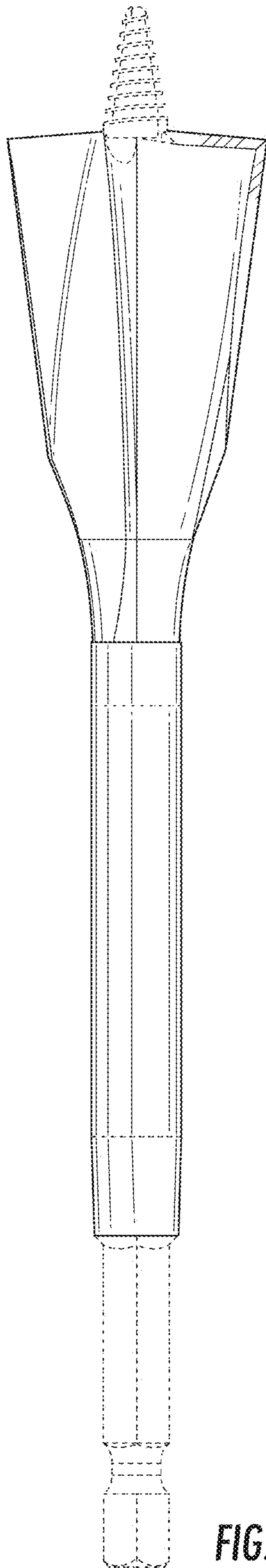


FIG. 2

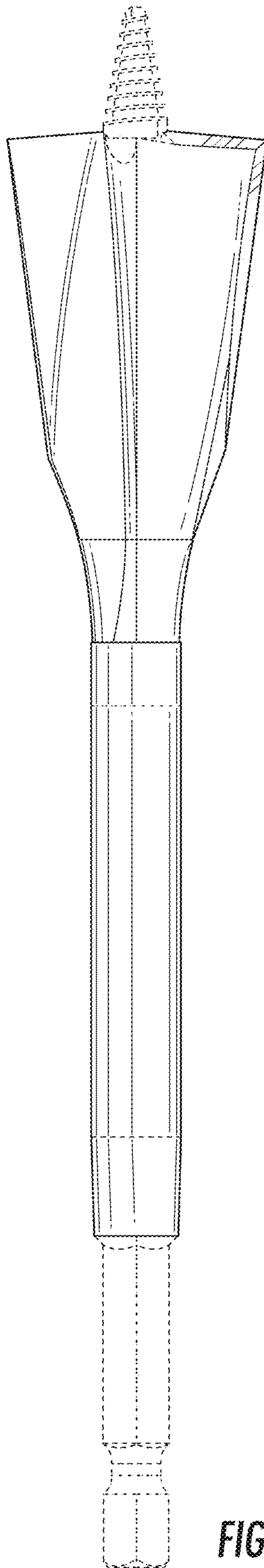


FIG. 3

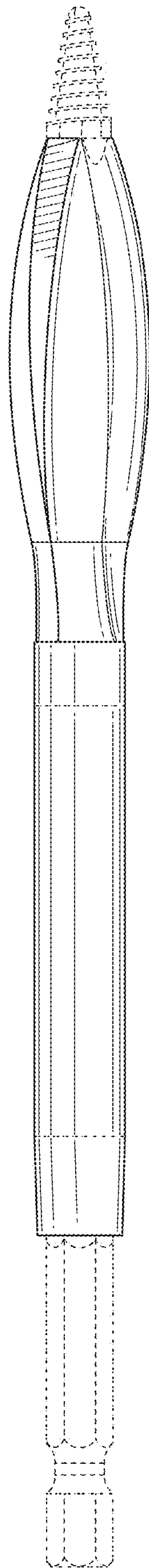


FIG. 4

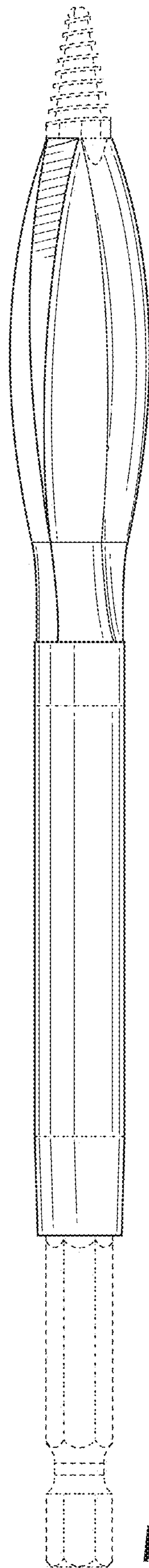


FIG. 5

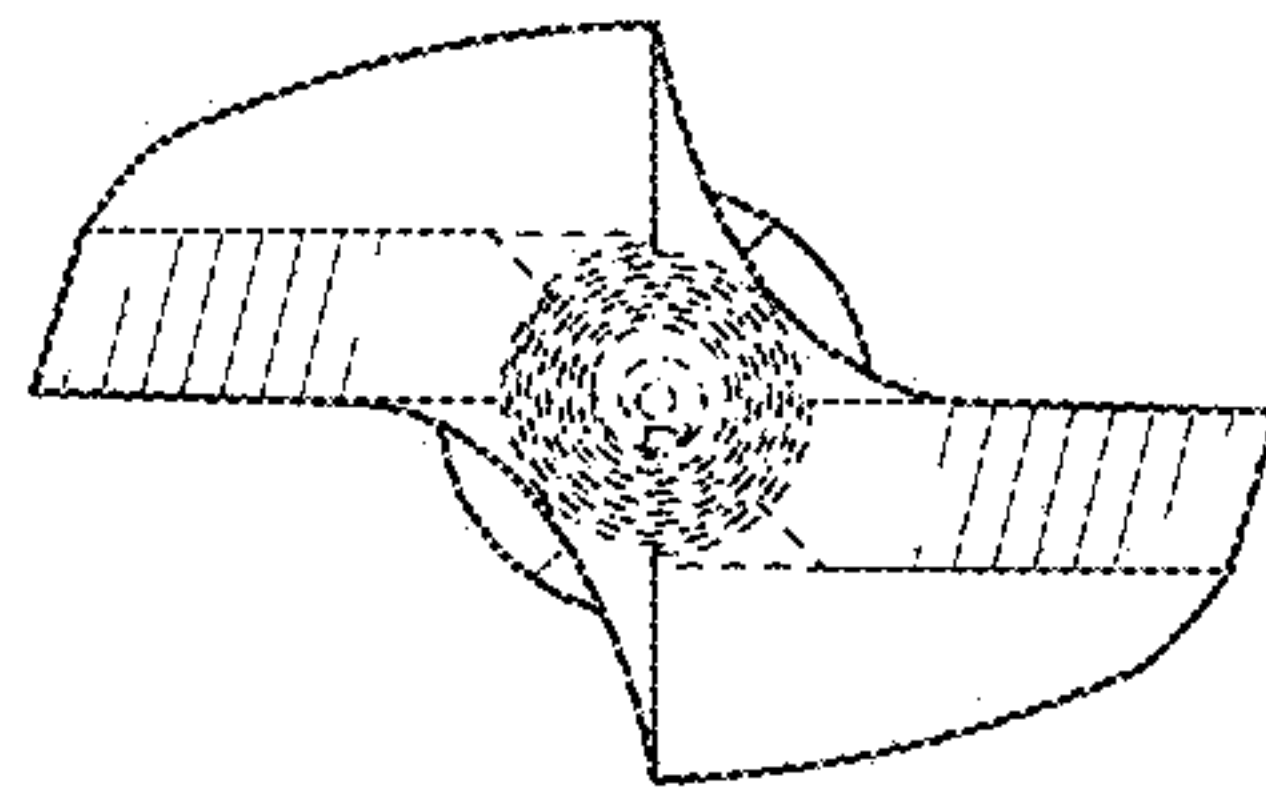


FIG. 6

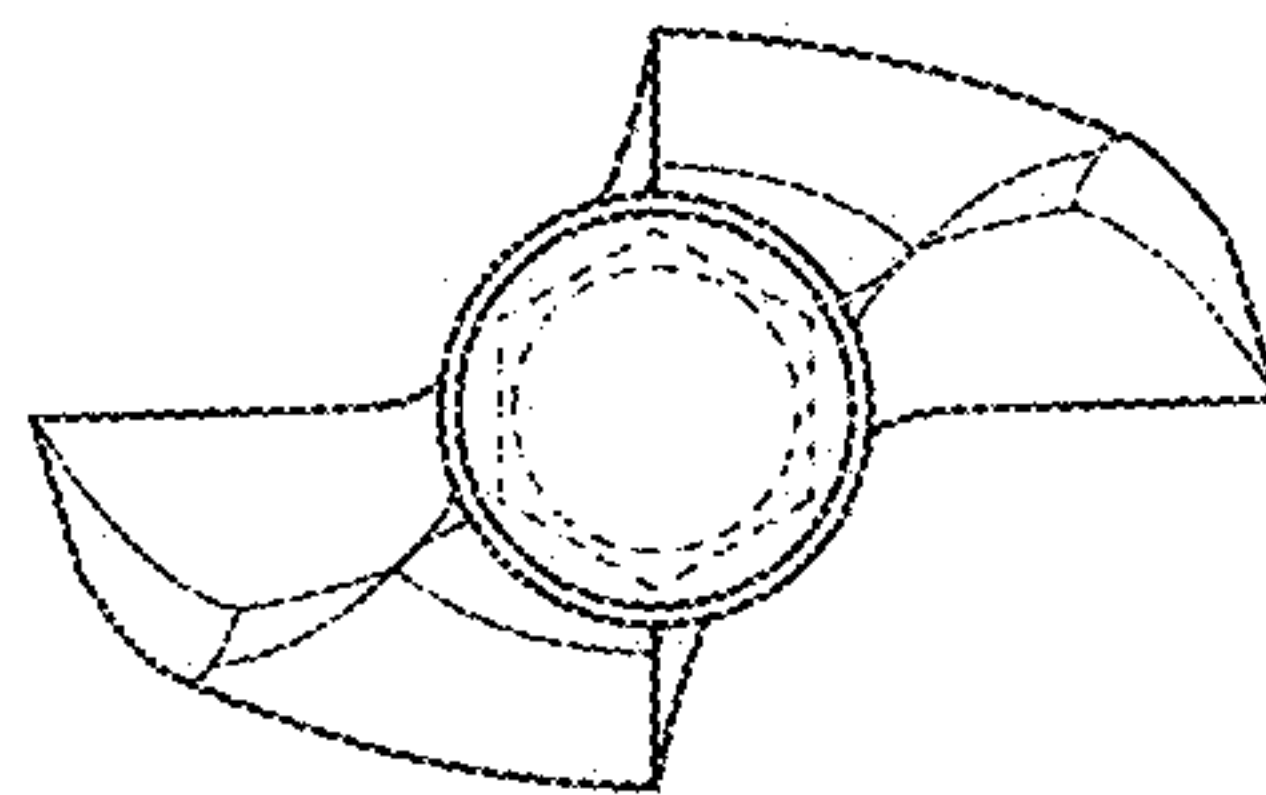


FIG. 7

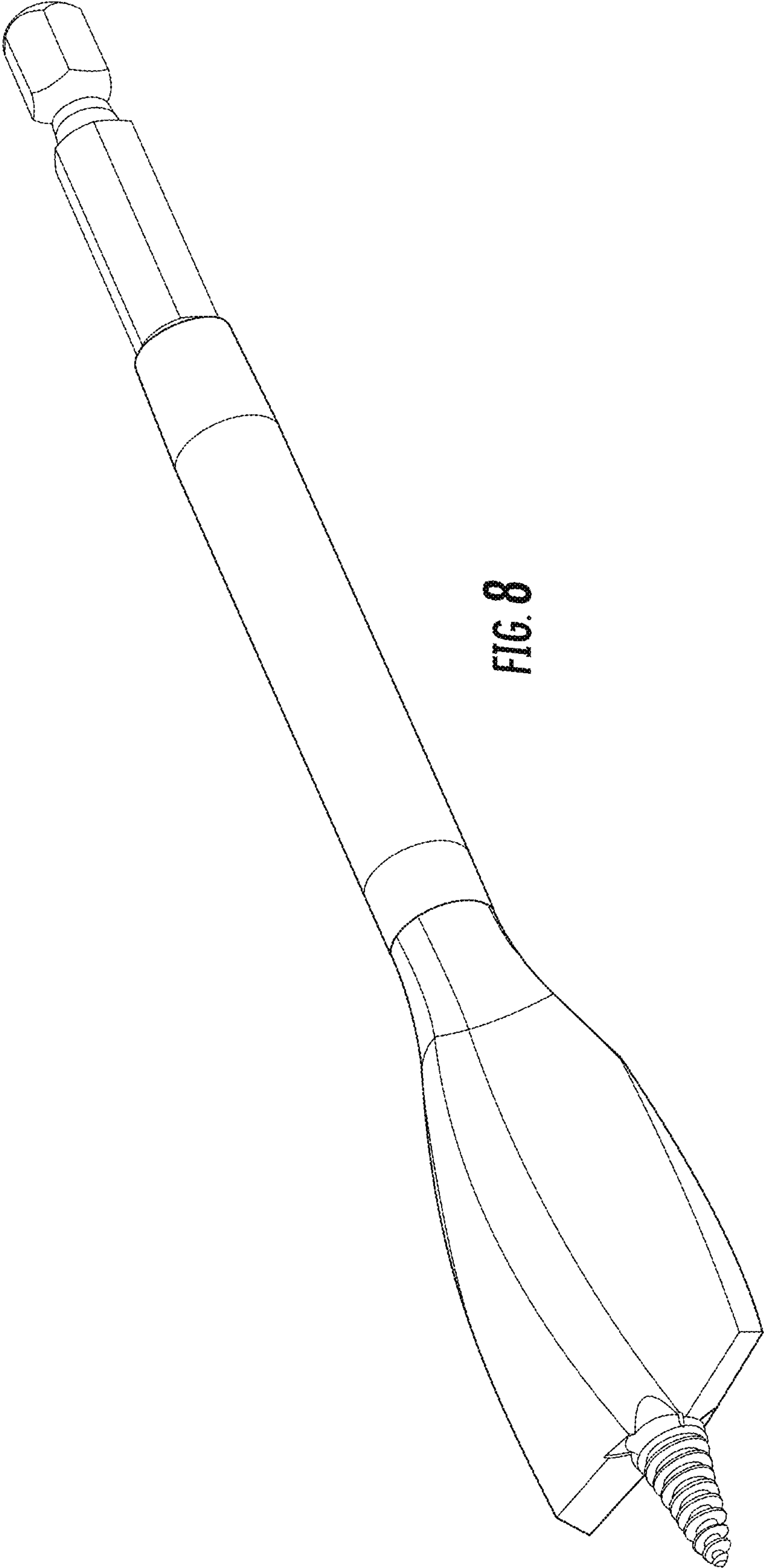


FIG. 8

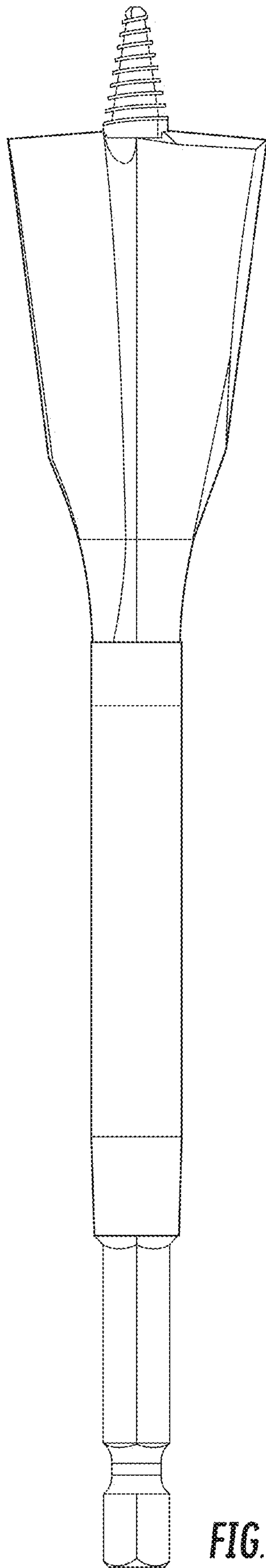


FIG. 9

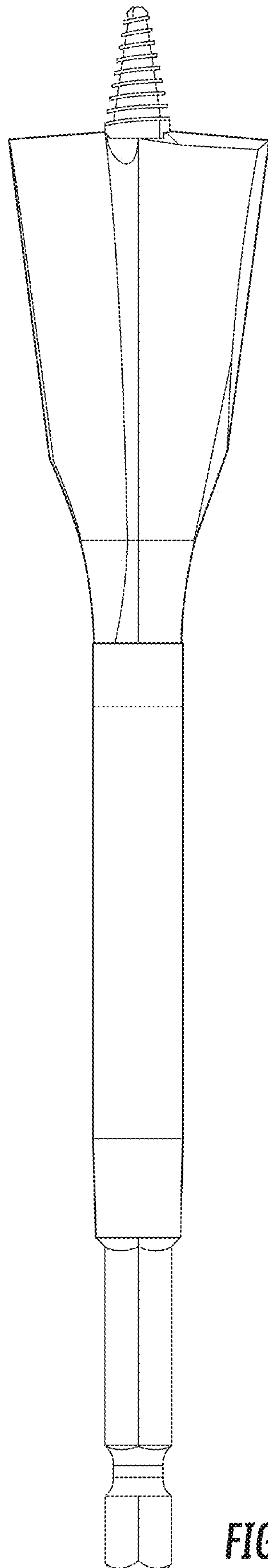


FIG. 10

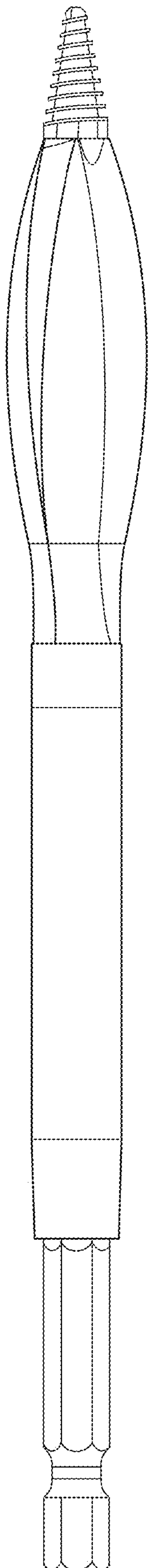


FIG. 11

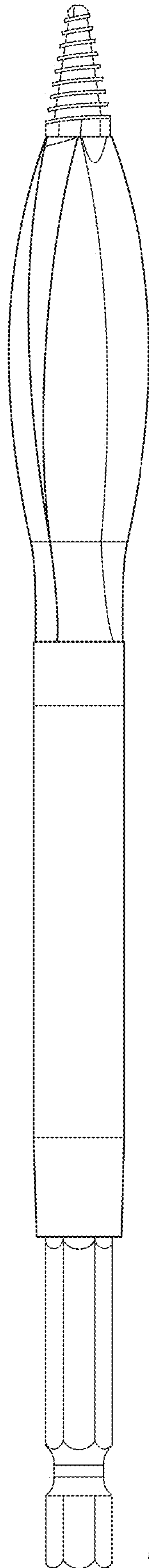


FIG. 12

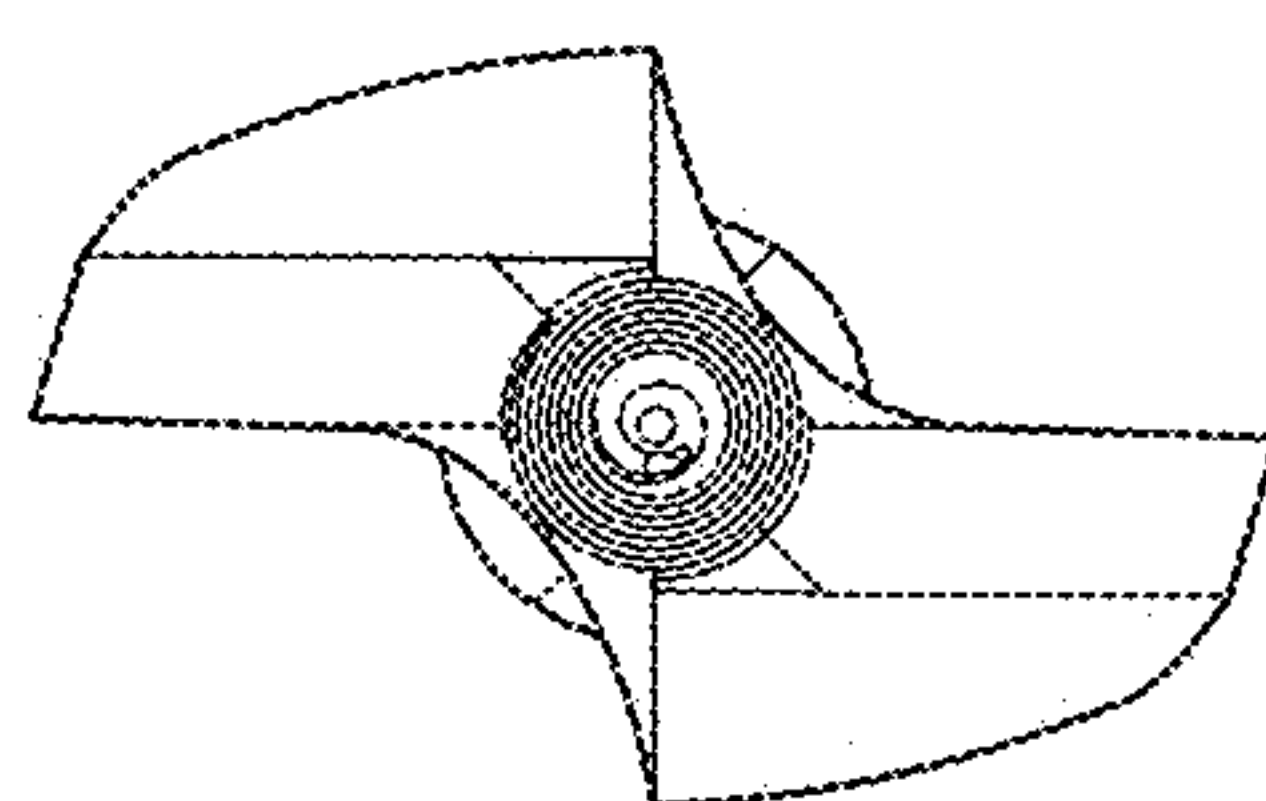


FIG. 13

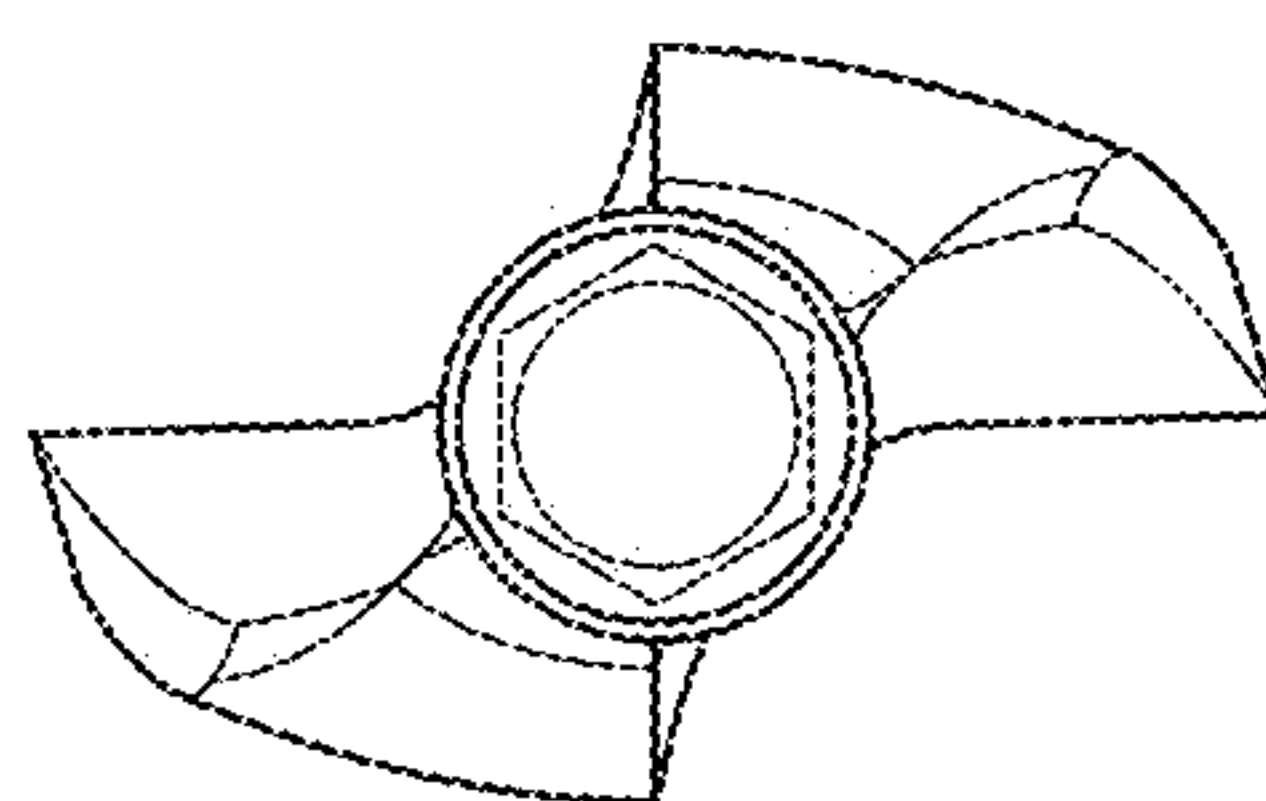


FIG. 14