



US00D917586S

(12) **United States Design Patent** (10) **Patent No.:** **US D917,586 S**
Okuma et al. (45) **Date of Patent:** **** Apr. 27, 2021**

(54) **LASER PROCESSING MACHINE**

(71) Applicant: **HAMAMATSU PHOTONICS K.K.**,
Hamamatsu (JP)

(72) Inventors: **Junji Okuma**, Hamamatsu (JP);
Takeshi Sakamoto, Hamamatsu (JP)

(73) Assignee: **HAMAMATSU PHOTONICS K.K.**,
Hamamatsu (JP)

(**) Term: **15 Years**

(21) Appl. No.: **29/689,300**

(22) Filed: **Apr. 29, 2019**

(30) **Foreign Application Priority Data**

Oct. 31, 2018 (JP) JP2018-023973

(51) **LOC (13) Cl.** **15-09**

(52) **U.S. Cl.**
USPC **D15/122**

(58) **Field of Classification Search**
USPC D15/122; D24/108, 164, 169, 170, 233;
D16/230-234; D26/27; D10/81
(Continued)

(56) **References Cited**

U.S. PATENT DOCUMENTS

D328,151 S * 7/1992 Feinbloom D26/27
D363,124 S * 10/1995 Savage D24/169
(Continued)

FOREIGN PATENT DOCUMENTS

TW M557157 3/2018

OTHER PUBLICATIONS

SensLite Corporation, 2D MEMS Scan module, (site visited Sep. 22, 2020), Senslite.com, URL:<<https://senslite.com.tw/Home/index.php/mems-mirrors/2d-mems-laser-scanning-module/>> (Year: 2020).*

Fisba Photonics GmbH, High Frequency Analogue Laser Diode Driver Module, (site visited Sep. 22, 2020), Opli.net, URL:<https://www.opli.net/opli_magazine/eo/2014/high-frequency-analogue-laser-diode-driver-module-july/> (Year: 2020).*

(Continued)

Primary Examiner — Sheryl Lane

Assistant Examiner — Mark T. Philipps

(74) *Attorney, Agent, or Firm* — Faegre Drinker Biddle & Reath LLP

(57) **CLAIM**

The ornamental design for a laser processing machine, as shown and described.

DESCRIPTION

FIG. 1 is a front view of a laser processing machine of the present invention;

FIG. 2 is a rear view thereof;

FIG. 3 is a top plan view thereof;

FIG. 4 is a bottom plan view thereof;

FIG. 5 is a right side view thereof;

FIG. 6 is a left side view thereof;

FIG. 7 is a perspective view thereof;

FIG. 8 is an enlarged view thereof defined by the lines 8-8 and 8'-8' in FIG. 1;

FIG. 9 is an enlarged view thereof defined by the lines 9-9 and 9'-9' in FIG. 1 showing the state of movement;

FIG. 10 is an enlarged view thereof defined by the lines 10-10 and 10'-10' in FIG. 6;

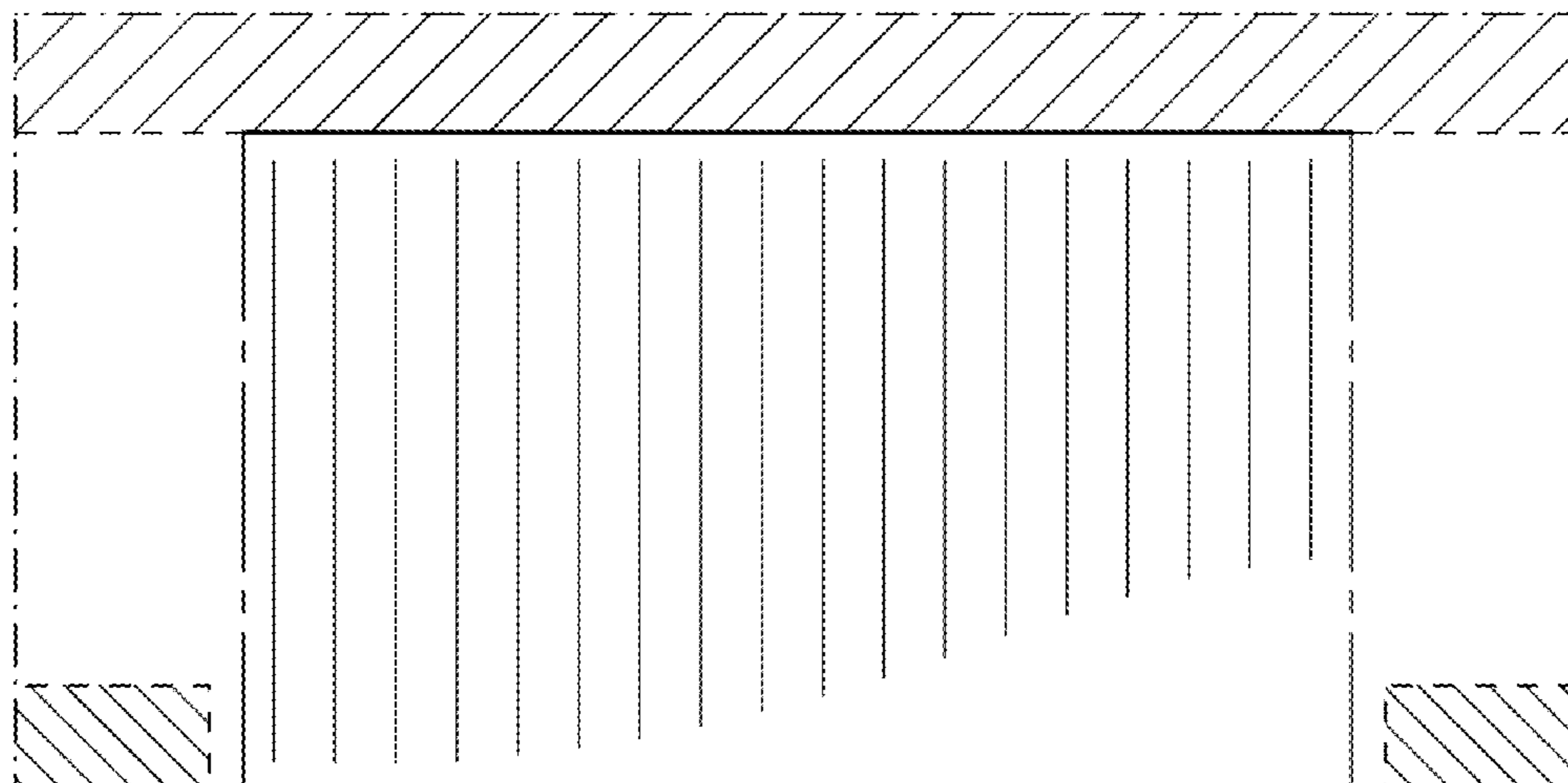
FIG. 11 is a sectional view thereof with inner mechanism is omitted taken along the line 11-11 in FIG. 10 of the portion defined by the line 11'-11' in FIG. 3; and,

FIG. 12 is an enlarged sectional view thereof with inner mechanism is omitted taken along the line 12-12 in FIG. 10 of the portion defined by the line 12'-12' in FIG. 3.

The broken lines showing of the laser processing machine is included for the purpose of illustrating portions of the article and forms no part of the claimed design.

The alternate long and short dash broken lines define the bounds of the claimed design and form no part thereof.

1 Claim, 12 Drawing Sheets



(58) **Field of Classification Search**

CPC B23K 26/00; B23K 26/0006; B23K 26/0096; B23K 26/08; B23K 26/36; B23K 26/32; B23K 26/40; F23G 2204/202; B01D 2259/808; B65C 2009/0043; B65C 2009/1846; B65H 2301/51536; B27K 5/005; B29C 2035/0838; H01L 21/00; H01L 21/67; H01L 2221/00; H01L 2221/67; H01L 22/10; H01L 23/32; H01L 23/544; H01S 3/00; H01S 3/0007; H01S 3/0014; H01S 3/025; H01S 3/101; H01S 5/00; H01S 5/02; H01S 5/04; H01S 5/10; H05K 3/0026

See application file for complete search history.

(56) **References Cited**

U.S. PATENT DOCUMENTS

5,528,714 A * 6/1996 Kingstone F21S 10/005 385/100
 D398,019 S * 9/1998 Uehara D16/231
 D470,816 S * 2/2003 Thackray D13/101
 D542,828 S * 5/2007 Tsukahara D16/221
 D557,318 S * 12/2007 Nishimura D16/225
 D565,630 S * 4/2008 Morishita D16/225
 D590,865 S * 4/2009 Nishimura D16/230
 D605,215 S * 12/2009 Azuma D16/230

D669,992 S * 10/2012 Schafer D24/170
 D680,150 S * 4/2013 Kawaguchi D16/230
 D757,840 S * 5/2016 Sakamoto D16/231
 D758,590 S * 6/2016 Burachynsky D24/170
 D798,349 S * 9/2017 Li D15/122
 D802,632 S * 11/2017 Li D15/122
 D806,776 S * 1/2018 Yoshimura D16/230
 D876,524 S * 2/2020 Yoshimura D16/230
 2005/0252228 A1 * 11/2005 Su F25B 21/02 62/259.2
 2006/0182529 A1 * 8/2006 Hiroki H01L 21/67745 414/217
 2013/0055954 A1 * 3/2013 Yoo H01L 21/67769 118/728
 2014/0003084 A1 * 1/2014 McHenry A61B 1/00117 362/581
 2016/0172182 A1 * 6/2016 Morikazu H01L 21/67092 425/150
 2017/0057008 A1 * 3/2017 Liu H04N 7/183
 2018/0161929 A1 * 6/2018 Chen B23K 26/142
 2019/0039185 A1 * 2/2019 Nayuki B23K 26/0821

OTHER PUBLICATIONS

Wish, 20W Portable Laser Engraver Laser Engraving Laser Cutting Machine Desktop Cutter DIY Tools Woodworking Machinery Parts, (site visited Sep. 22, 2020), Wish.com, URL:<<https://www.wish.com/product/5e60a6343d7d24c2b1b4384d>> (Year: 2020).*

* cited by examiner

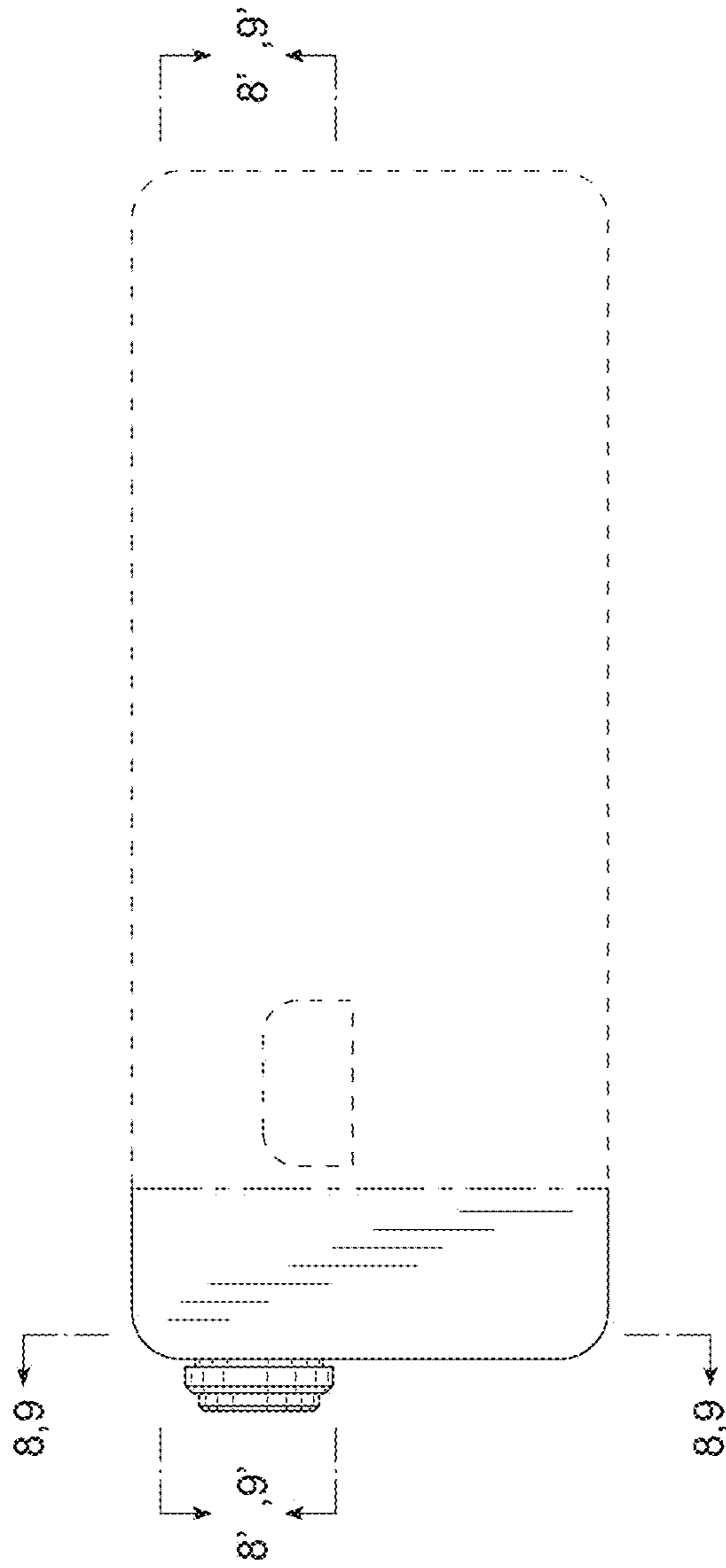


FIG. 1

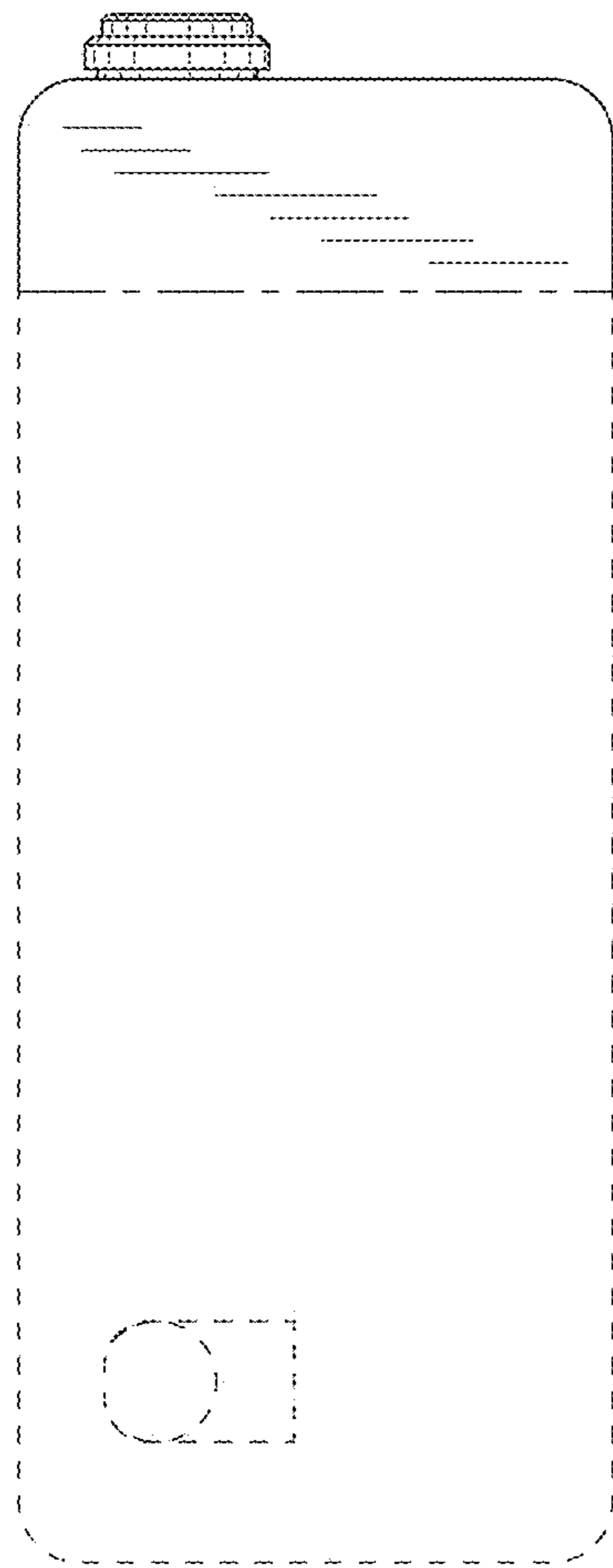


FIG. 2

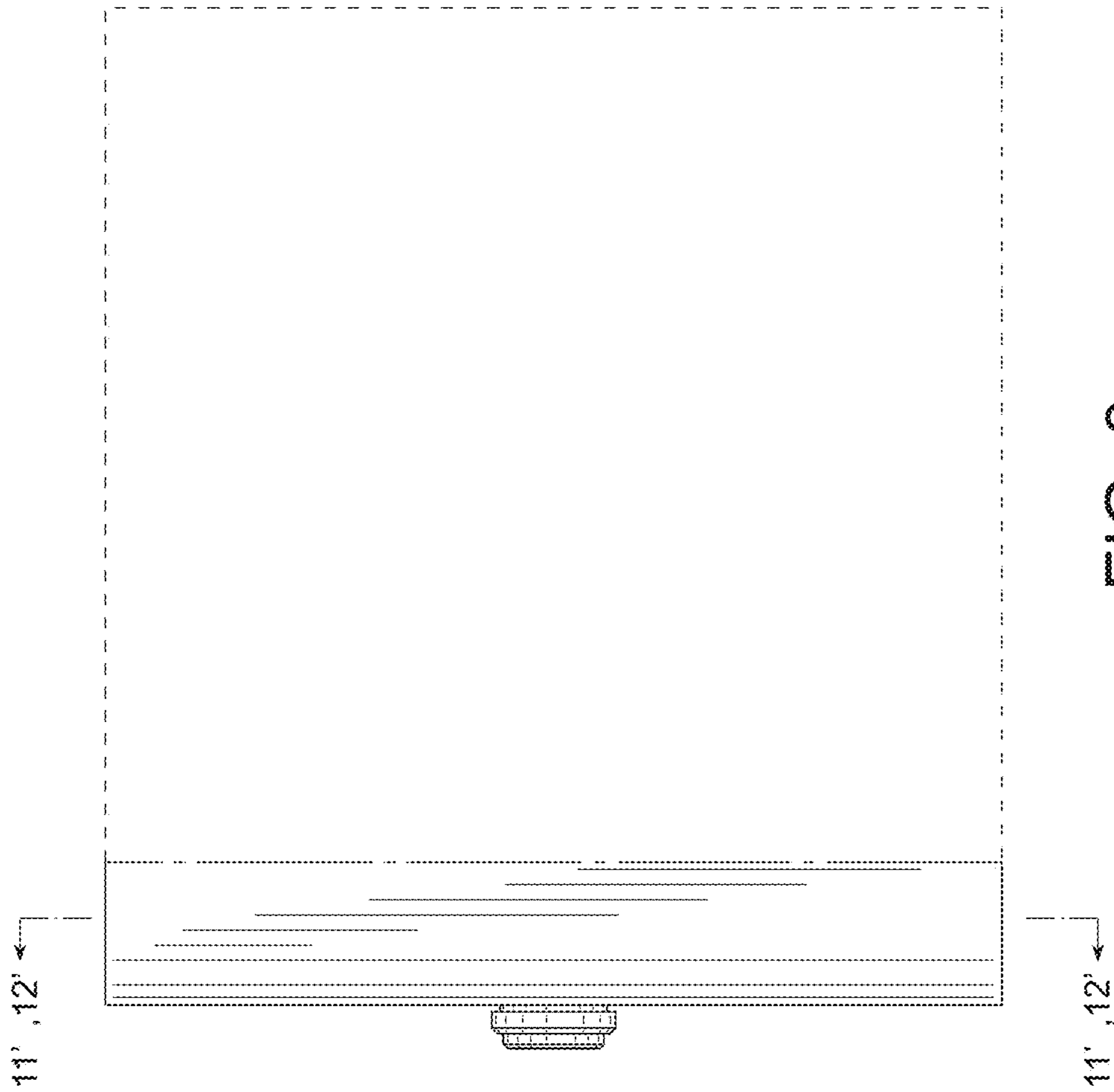


FIG. 3

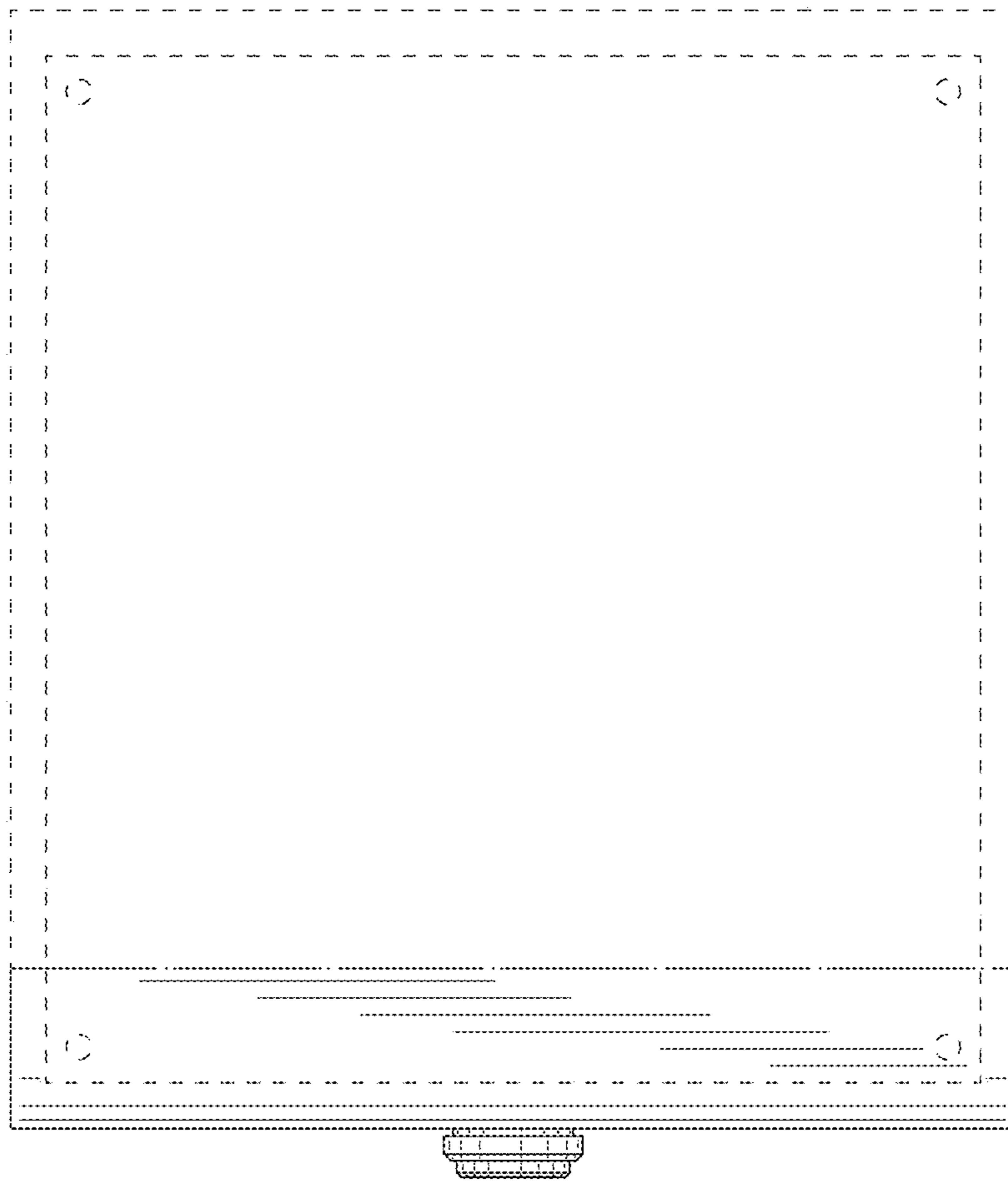


FIG. 4



FIG. 5

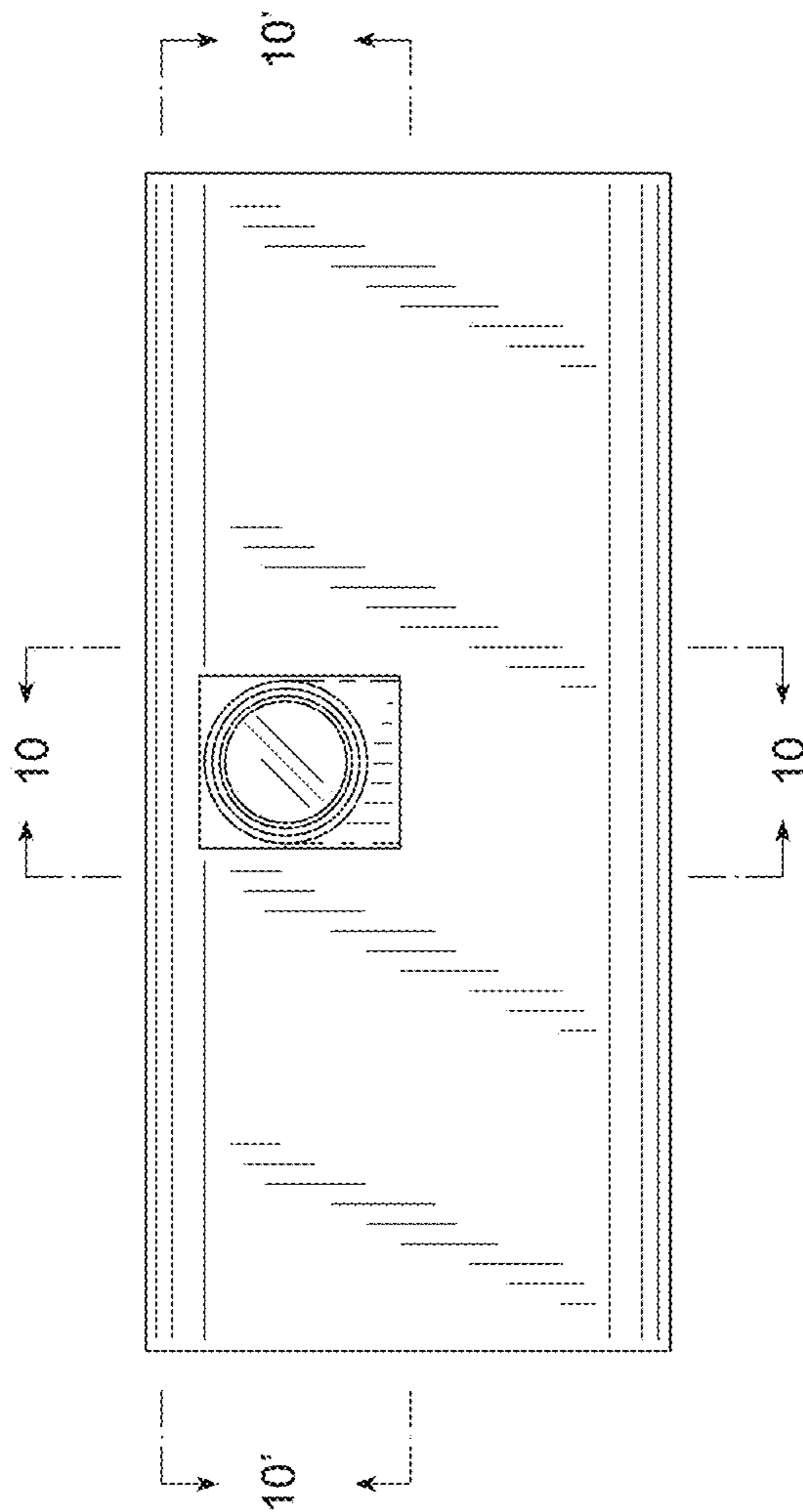


FIG. 6

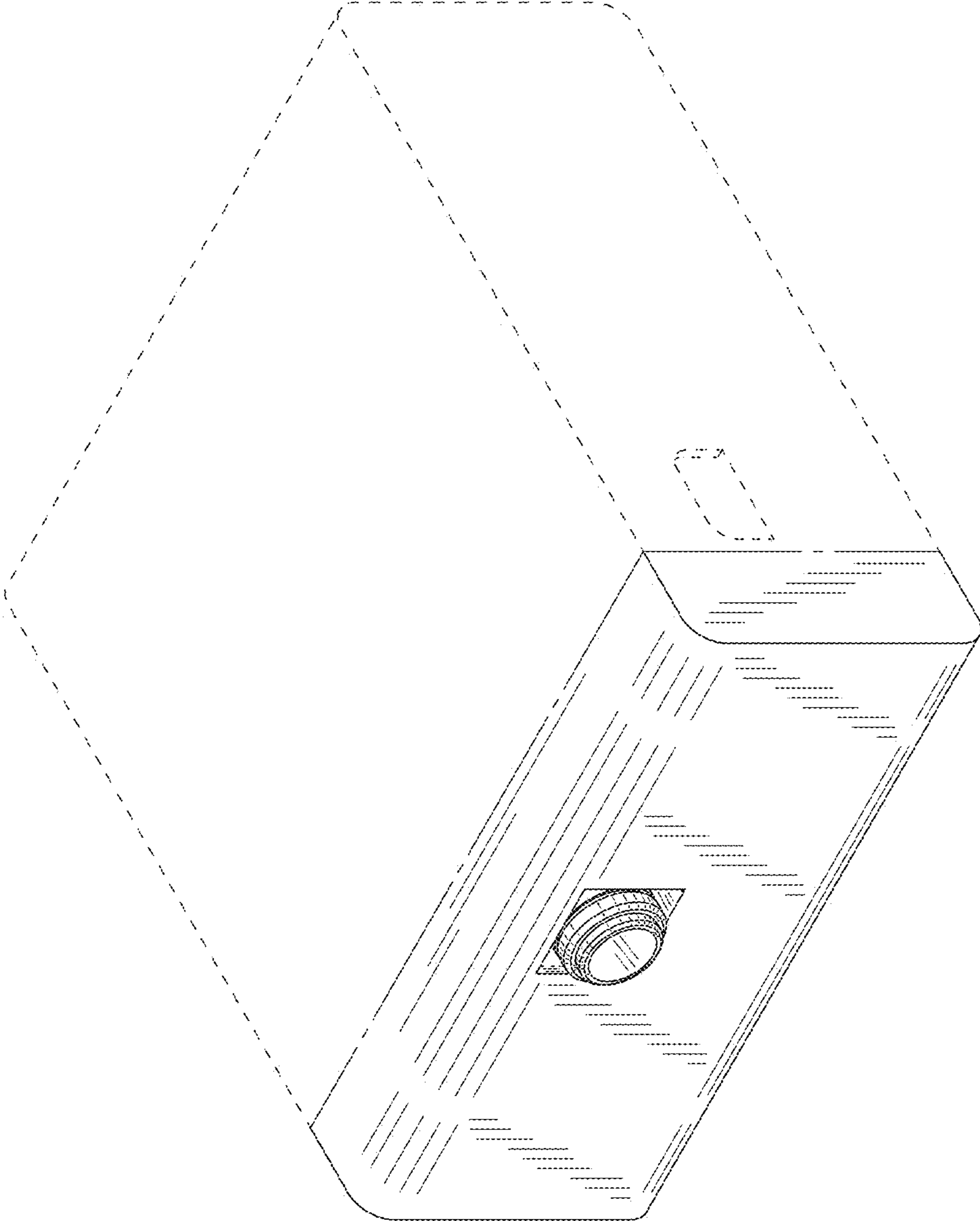


FIG. 7

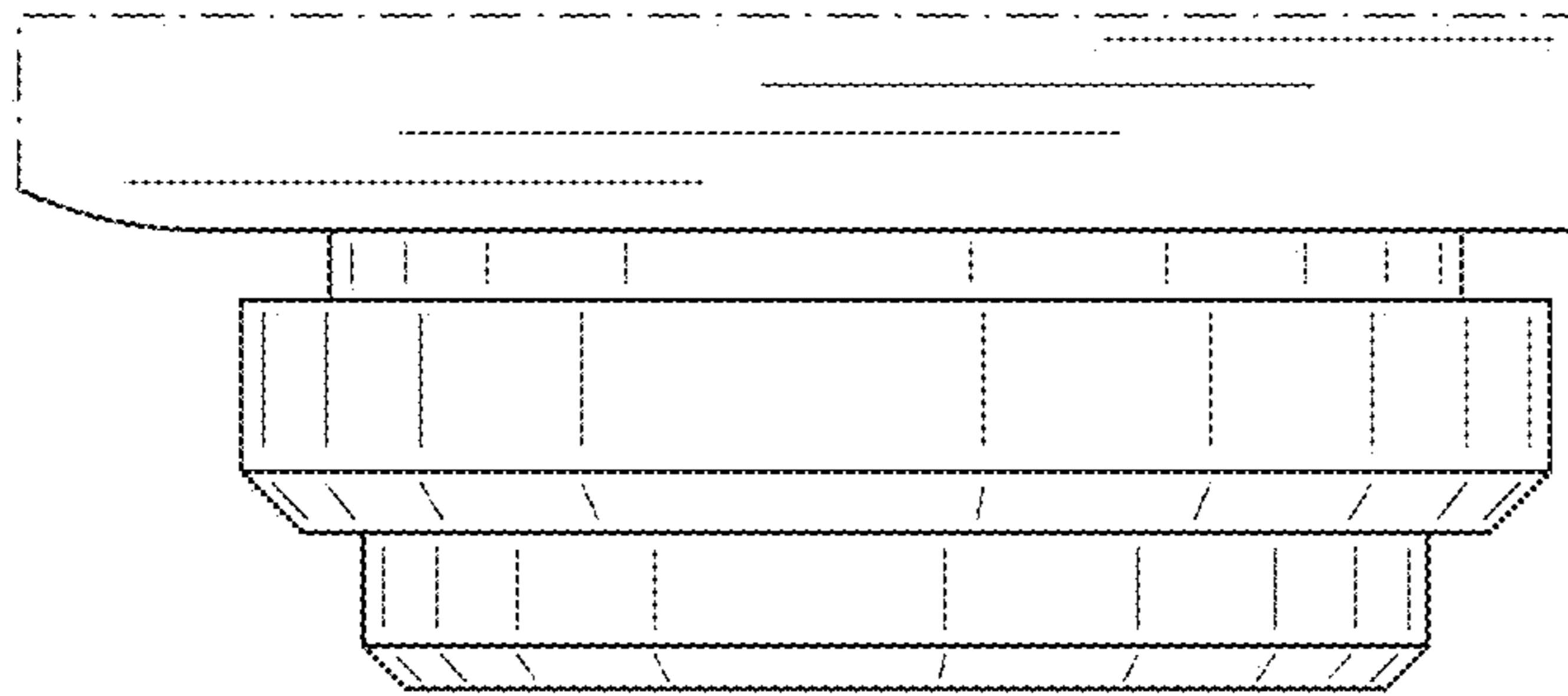


FIG. 8

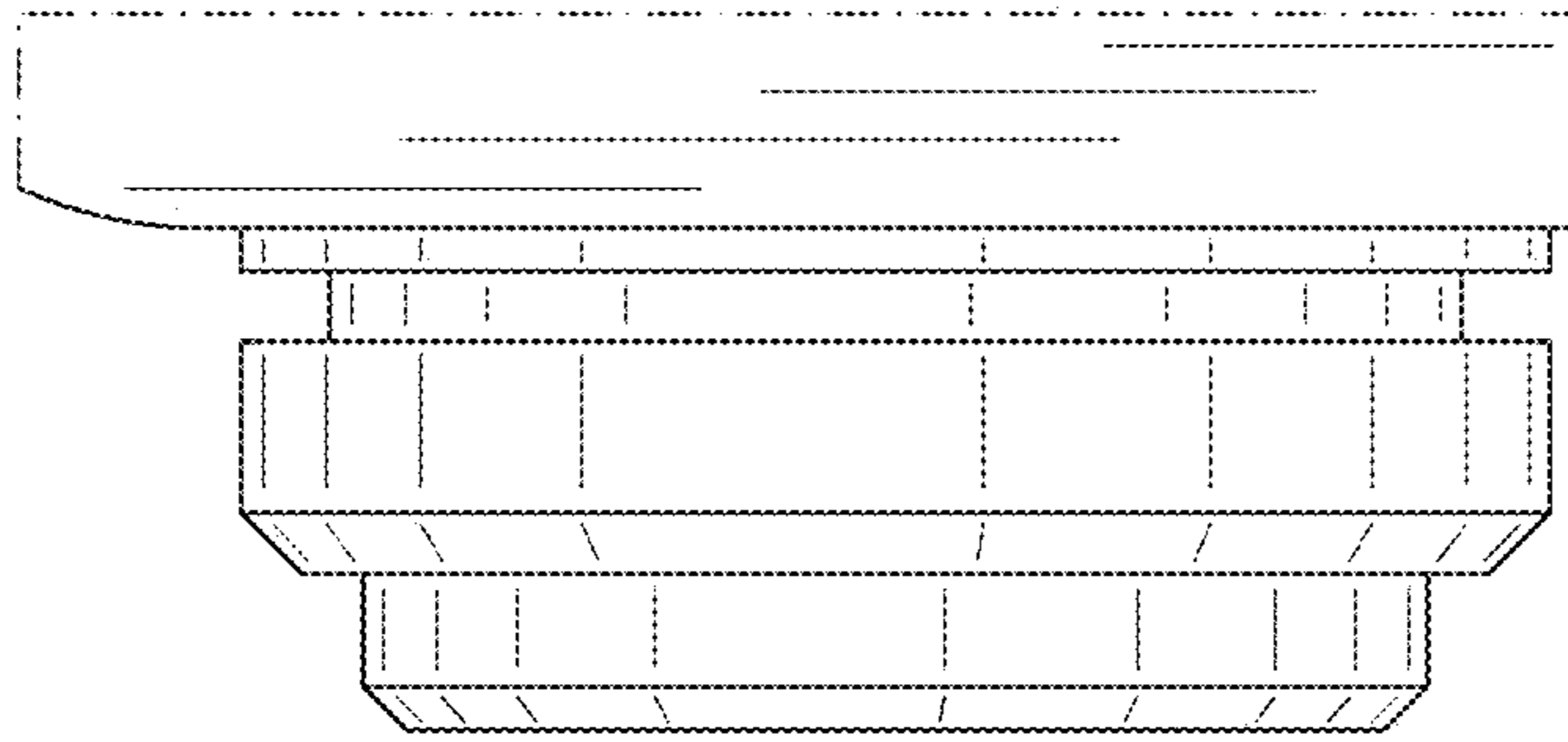


FIG. 9

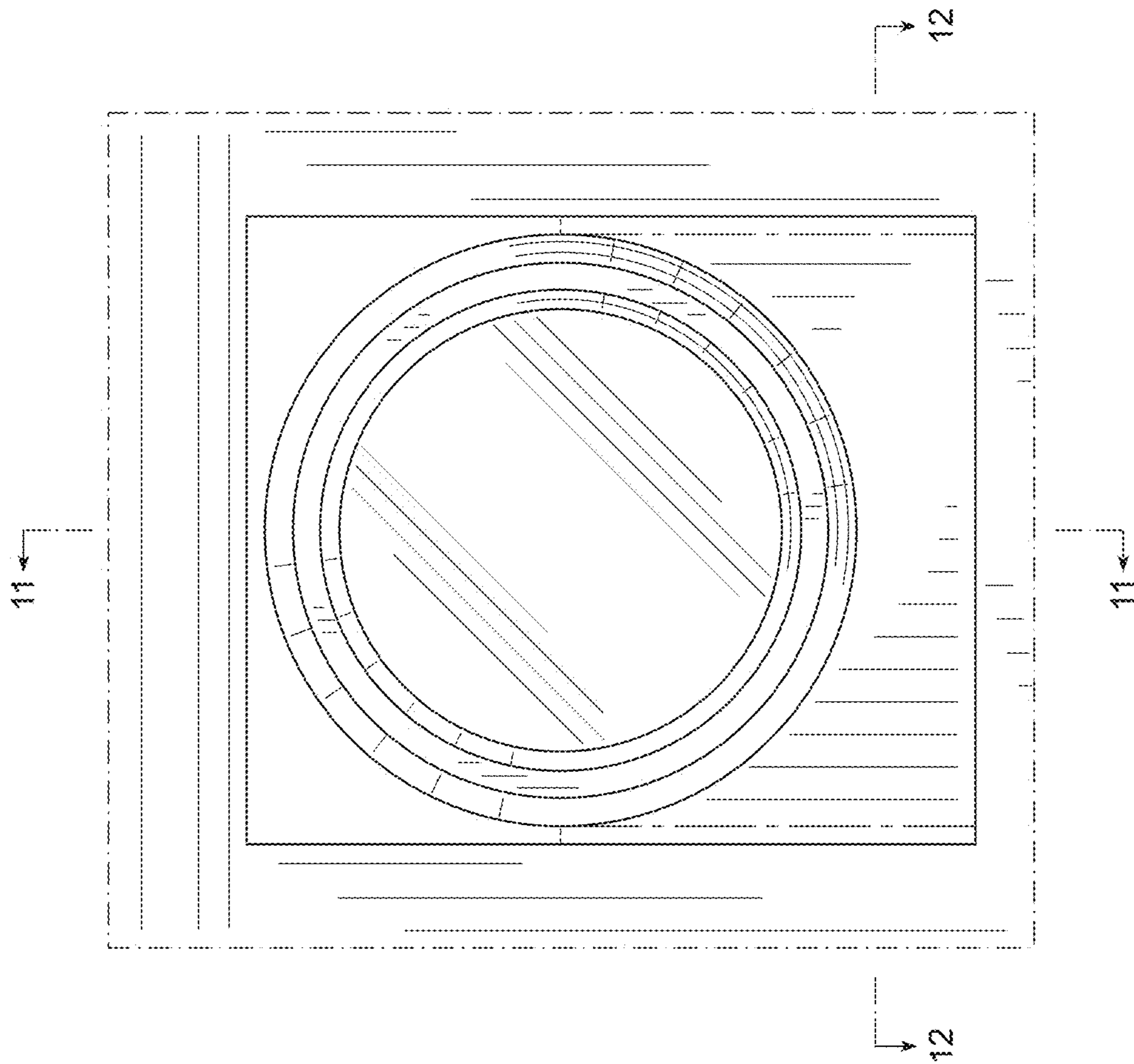


FIG. 10

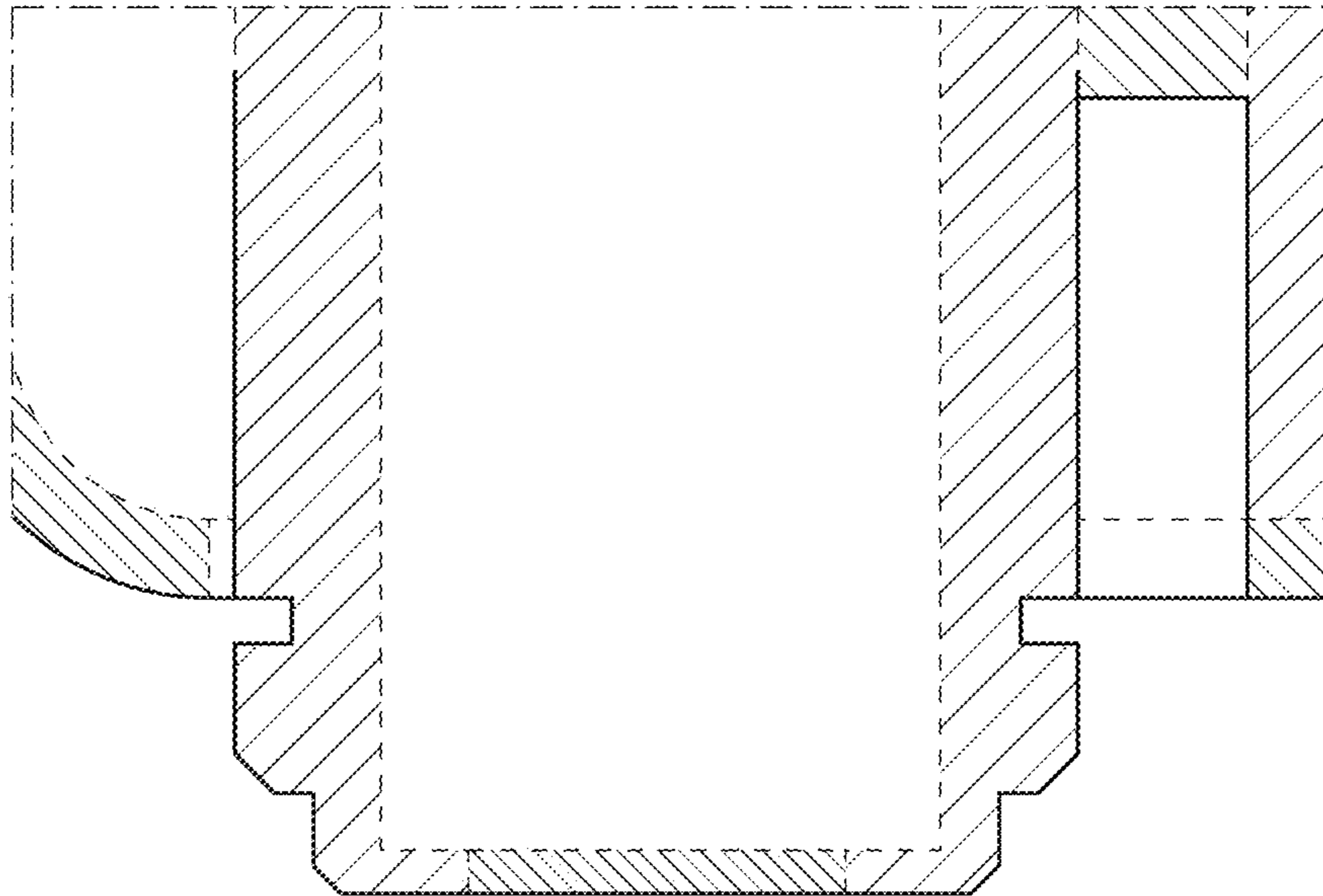


FIG. 11

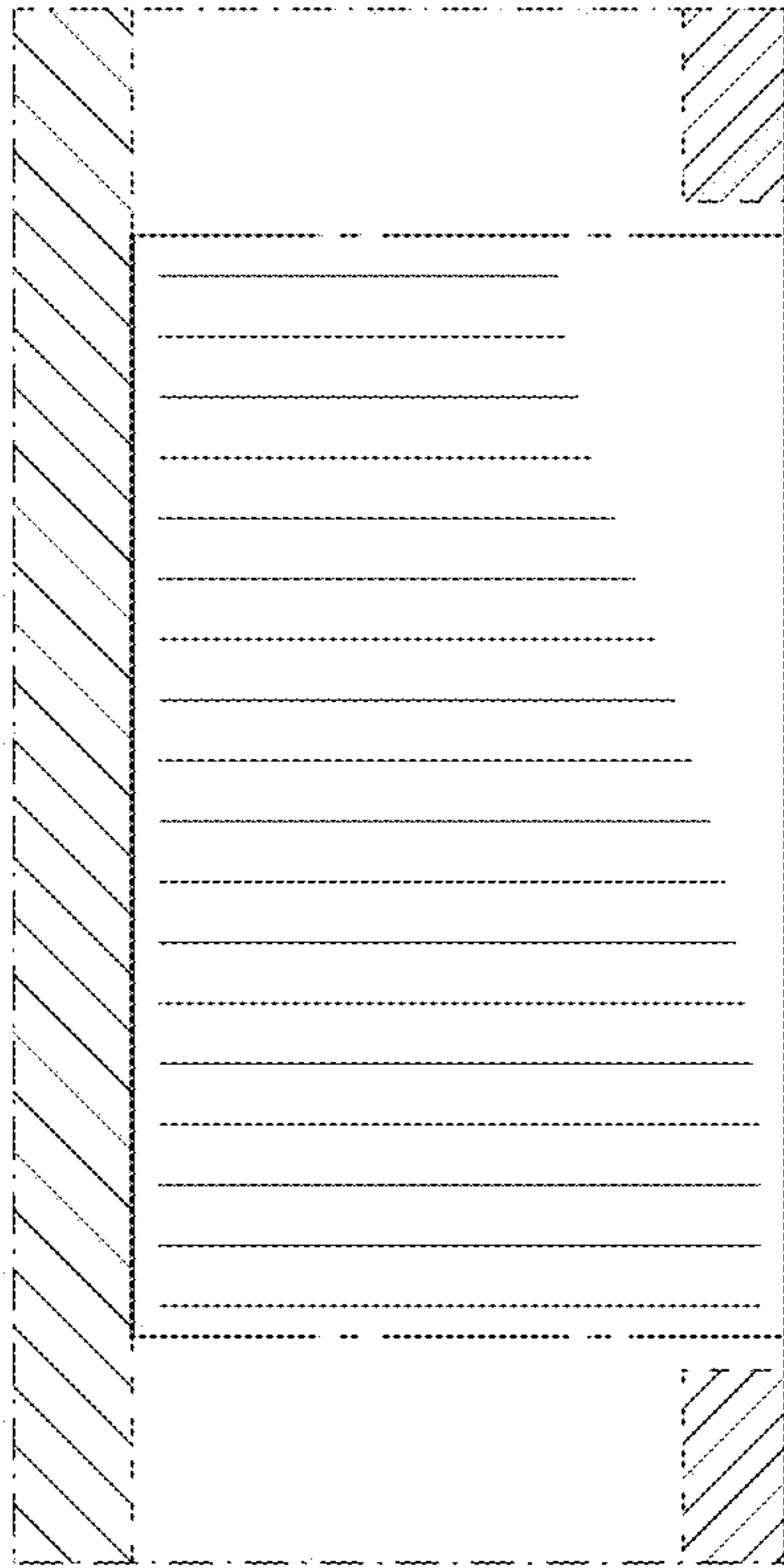


FIG. 12