



US00D917584S

(12) **United States Design Patent**
Yun et al.

(10) **Patent No.:** **US D917,584 S**

(45) **Date of Patent:** **** Apr. 27, 2021**

(54) **DISPENSER LEVER FOR REFRIGERATOR**

(71) Applicant: **LG ELECTRONICS INC.**, Seoul (KR)

(72) Inventors: **Yezo Yun**, Seoul (KR); **Joosang Kim**, Seoul (KR); **Kyukwan Choi**, Seoul (KR)

(73) Assignee: **LG Electronics Inc.**, Seoul (KR)

(**) Term: **15 Years**

(21) Appl. No.: **29/718,458**

(22) Filed: **Dec. 24, 2019**

(30) **Foreign Application Priority Data**

Jun. 27, 2019 (KR) 30-2019-0030802

(51) **LOC (13) Cl.** **15-07**

(52) **U.S. Cl.**
USPC **D15/89**

(58) **Field of Classification Search**
USPC D15/79, 80, 81, 82, 83, 84, 85, 86, 87, D15/88, 89, 90, 91
CPC F25C 2400/10; F25D 2400/10; F25D 2400/12; F25D 2400/14; F25D 2400/18; G05B 2219/2654; G09F 23/0058; Y10S 292/71

See application file for complete search history.

(56) **References Cited**

U.S. PATENT DOCUMENTS

D568,911 S * 5/2008 Jeon D15/89
D691,644 S * 10/2013 Cho D15/86
D696,700 S * 12/2013 Seo D15/86
D711,942 S * 8/2014 Jeon D15/89
D714,361 S * 9/2014 Seo D15/86
D714,842 S * 10/2014 Jeon D15/89

D715,336 S * 10/2014 Sin D15/89
D724,114 S * 3/2015 Jeon D15/86
D727,378 S * 4/2015 Jeon D15/89
D734,373 S * 7/2015 Hwang D15/86
D735,252 S * 7/2015 Lee D15/89
D756,425 S * 5/2016 Seo D15/89
D761,889 S * 7/2016 Seo D15/89
D761,891 S * 7/2016 Seo D15/89
D763,329 S * 8/2016 Seo D15/89
D768,213 S * 10/2016 Lee D15/89
D781,934 S * 3/2017 Shrader D15/85
D788,188 S * 5/2017 Seo D15/86
D807,411 S * 1/2018 Lee D15/89
D820,887 S * 6/2018 Lee D15/88
D825,623 S * 8/2018 Jeon D15/89
D826,997 S * 8/2018 Lee D15/91
D826,998 S * 8/2018 Lee D15/91
D827,683 S * 9/2018 Jeon D15/85
D841,058 S * 2/2019 Lee D15/86

(Continued)

Primary Examiner — Mojtaba Tehrani

(74) *Attorney, Agent, or Firm* — Birch, Stewart, Kolasch & Birch, LLP

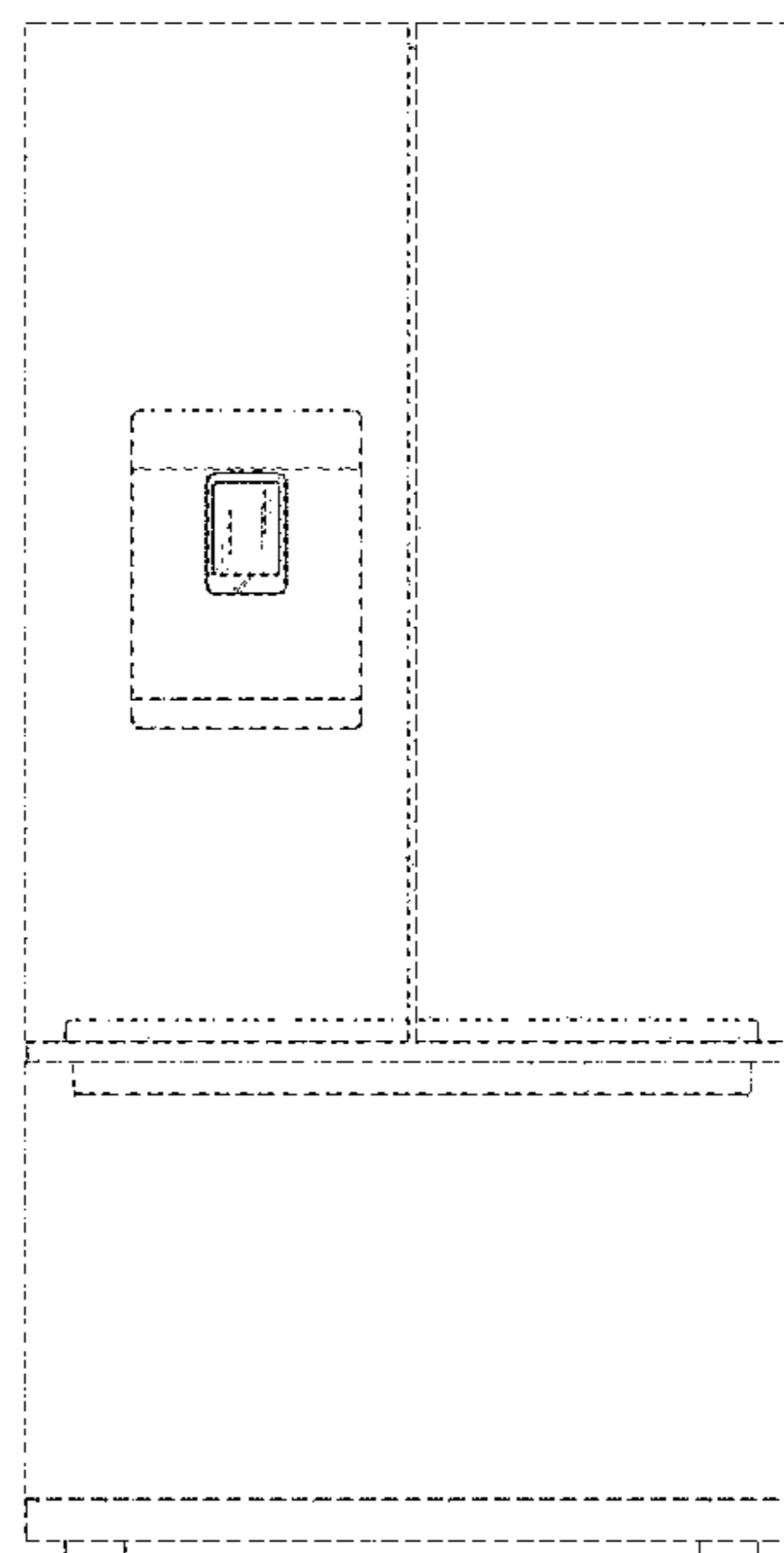
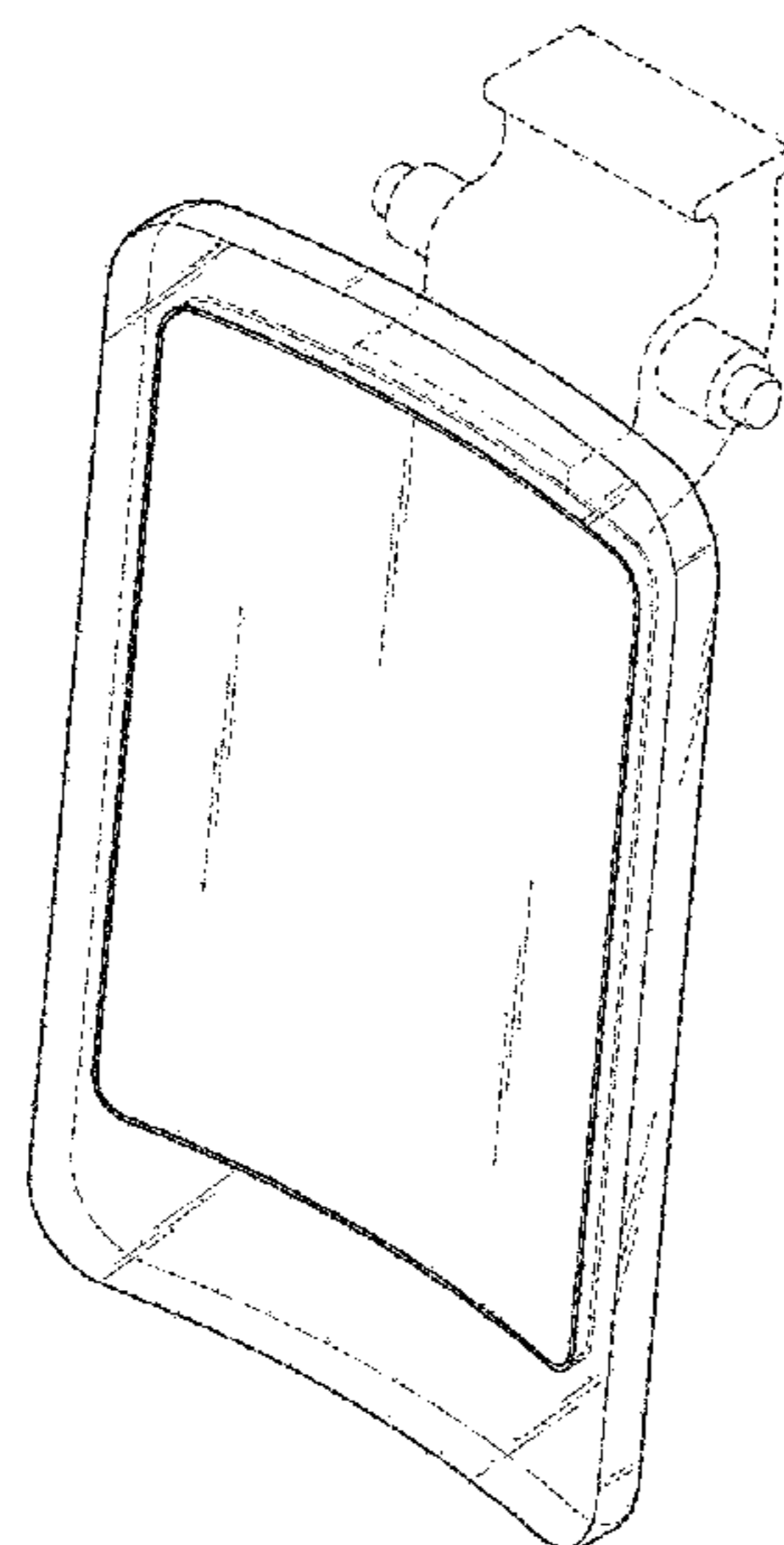
(57) **CLAIM**

We claim the ornamental design for a dispenser lever for refrigerator, as shown and described.

DESCRIPTION

FIG. 1 is a perspective view of a dispenser lever for refrigerator showing the new design;
FIG. 2 is a front elevation view thereof;
FIG. 3 is a rear elevation view thereof;
FIG. 4 is a left-side elevation view thereof;
FIG. 5 is a right-side elevation view thereof;
FIG. 6 is a top plan view thereof;
FIG. 7 is a bottom plan view thereof; and,
FIG. 8 is a reference view showing a state of use thereof.
The parts shown by means of broken lines in the figures are not part of the claimed design.

1 Claim, 8 Drawing Sheets



(56)

References Cited

U.S. PATENT DOCUMENTS

D841,700 S * 2/2019 Lee D15/91
D861,743 S * 10/2019 Lee D15/91

* cited by examiner

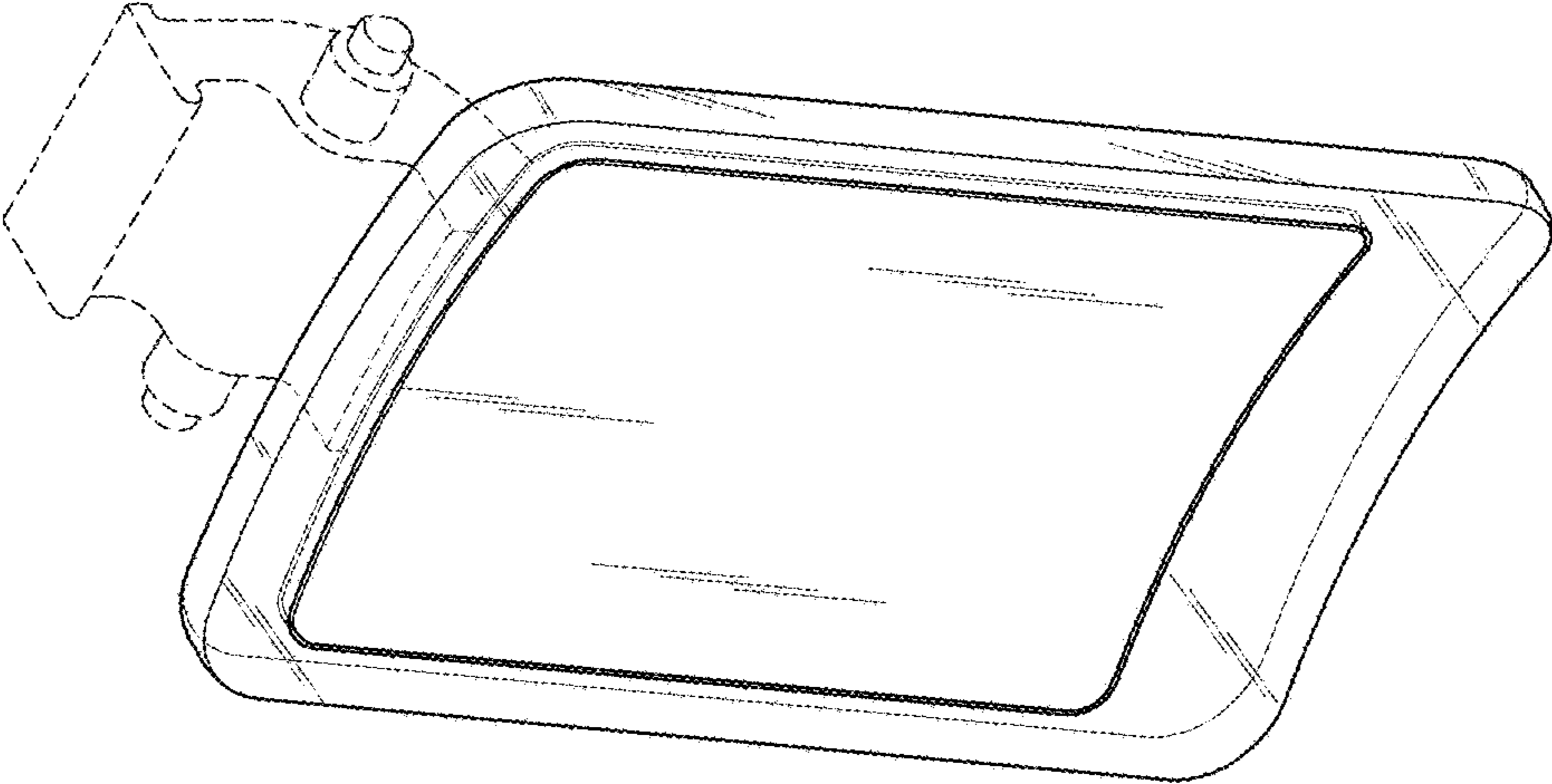


FIG. 1

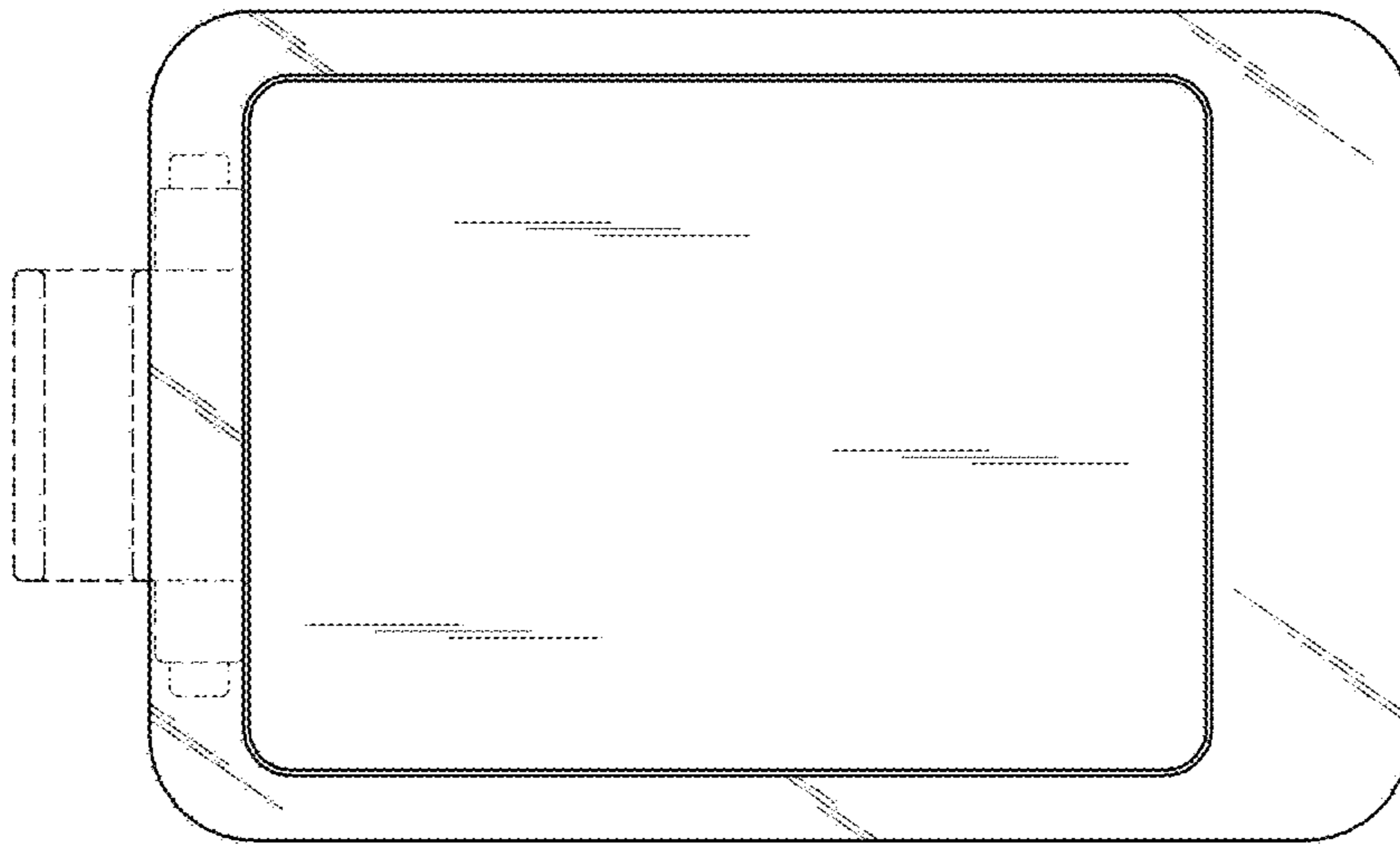


FIG. 2

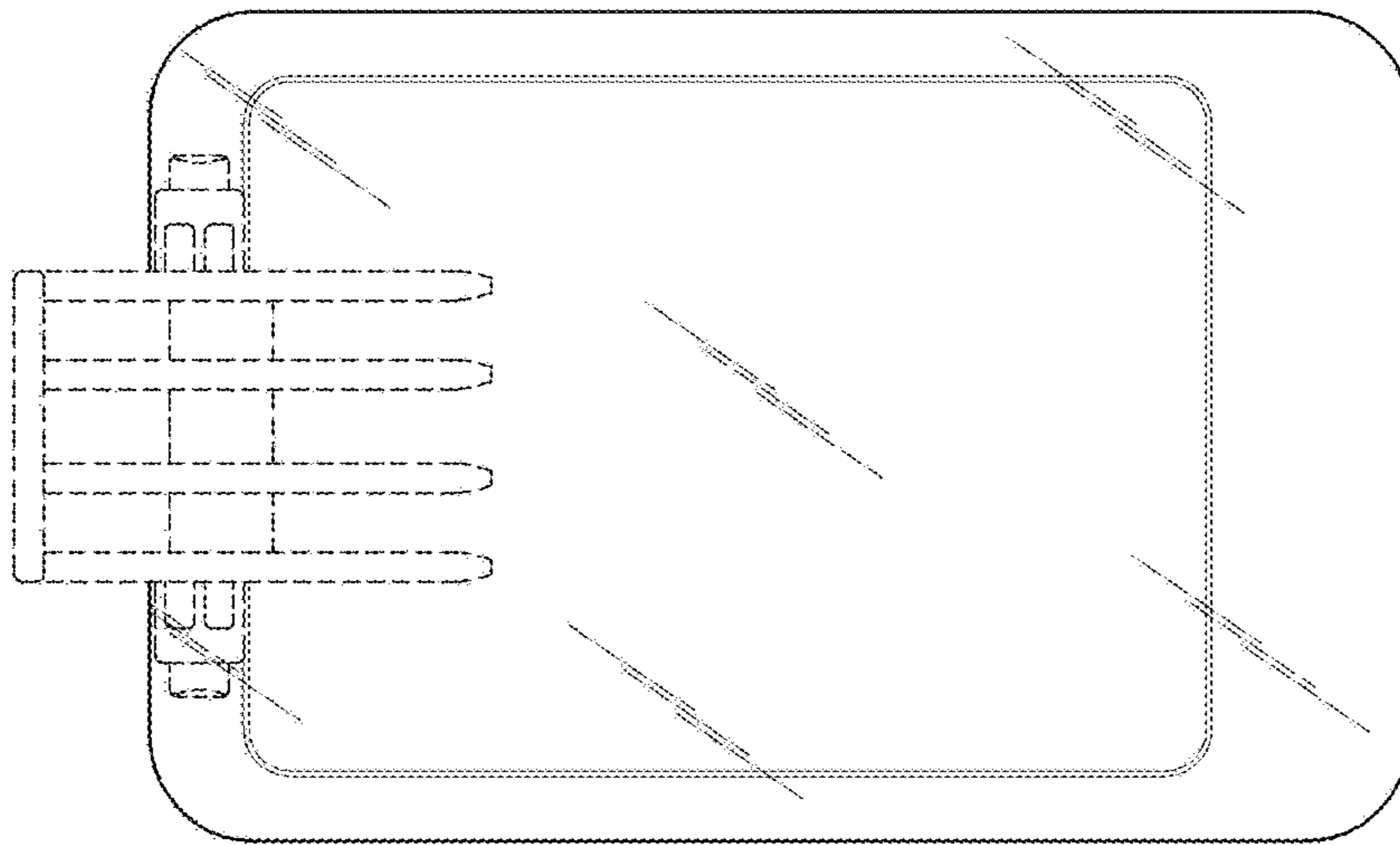


FIG. 3

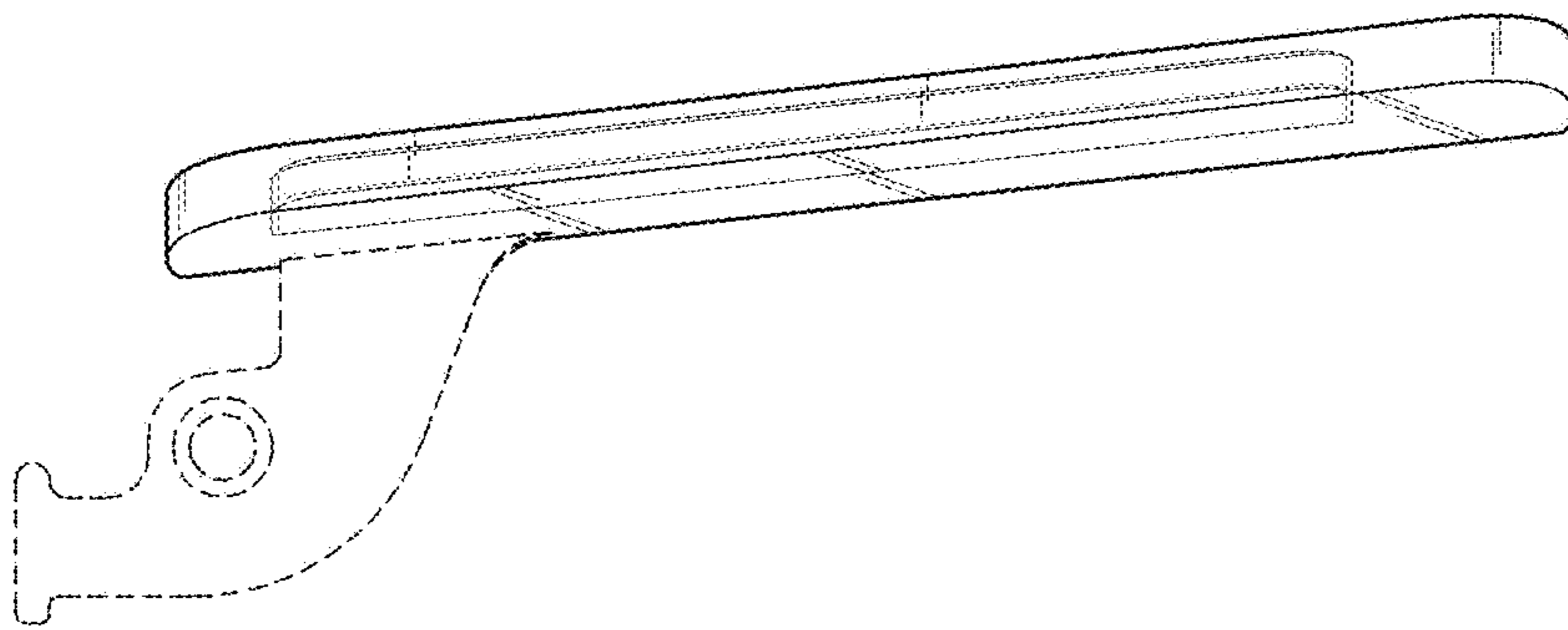


FIG. 4

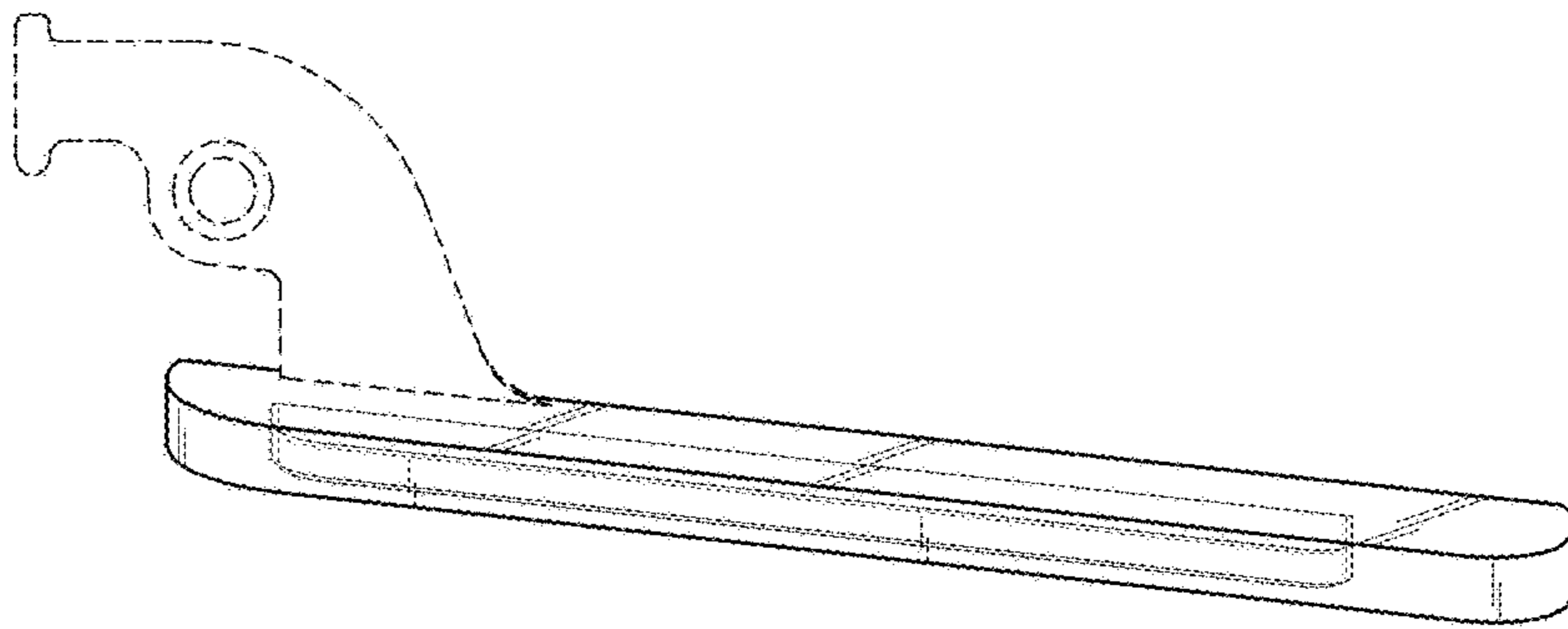


FIG. 5

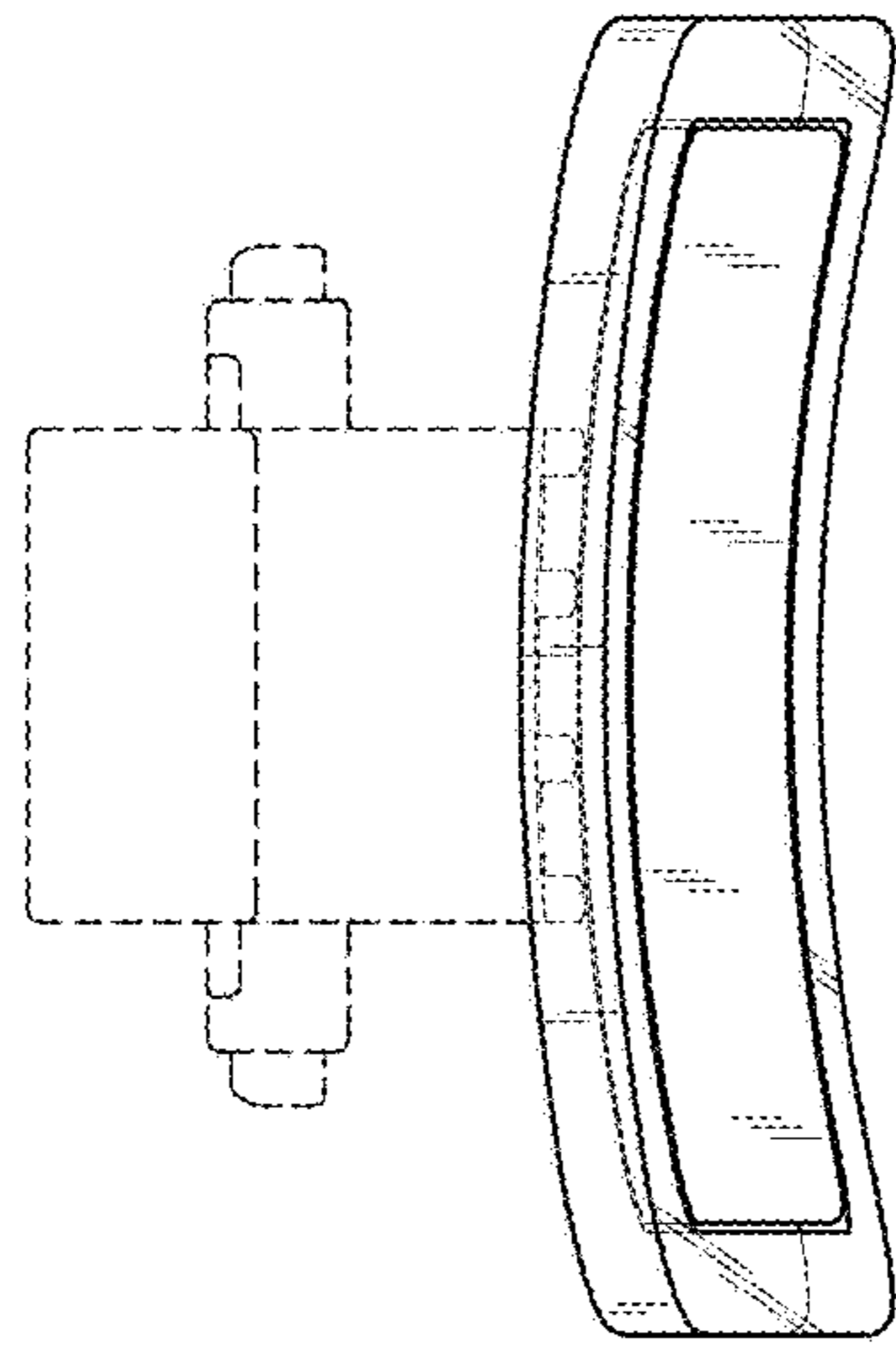


FIG. 6

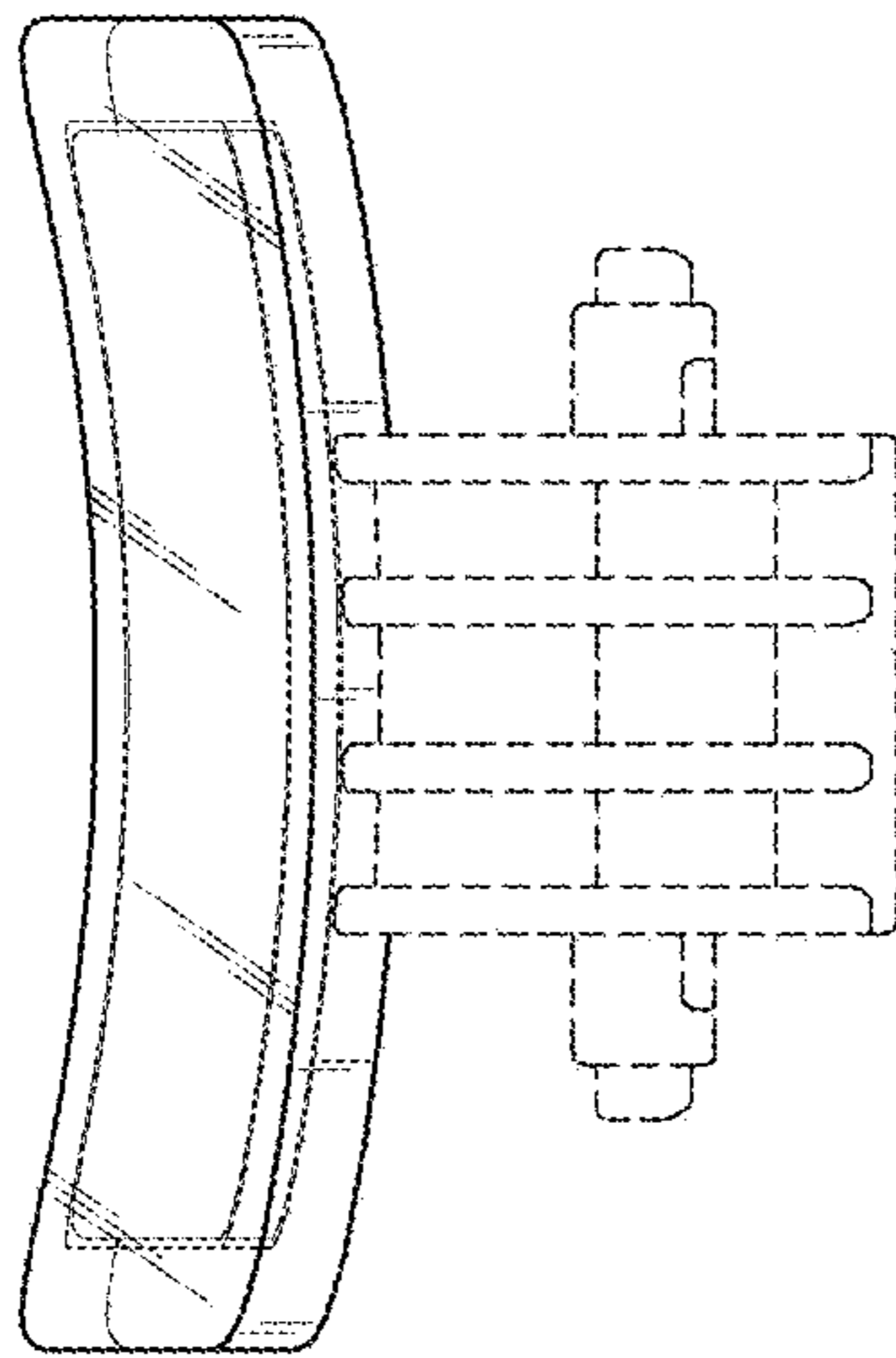


FIG. 7

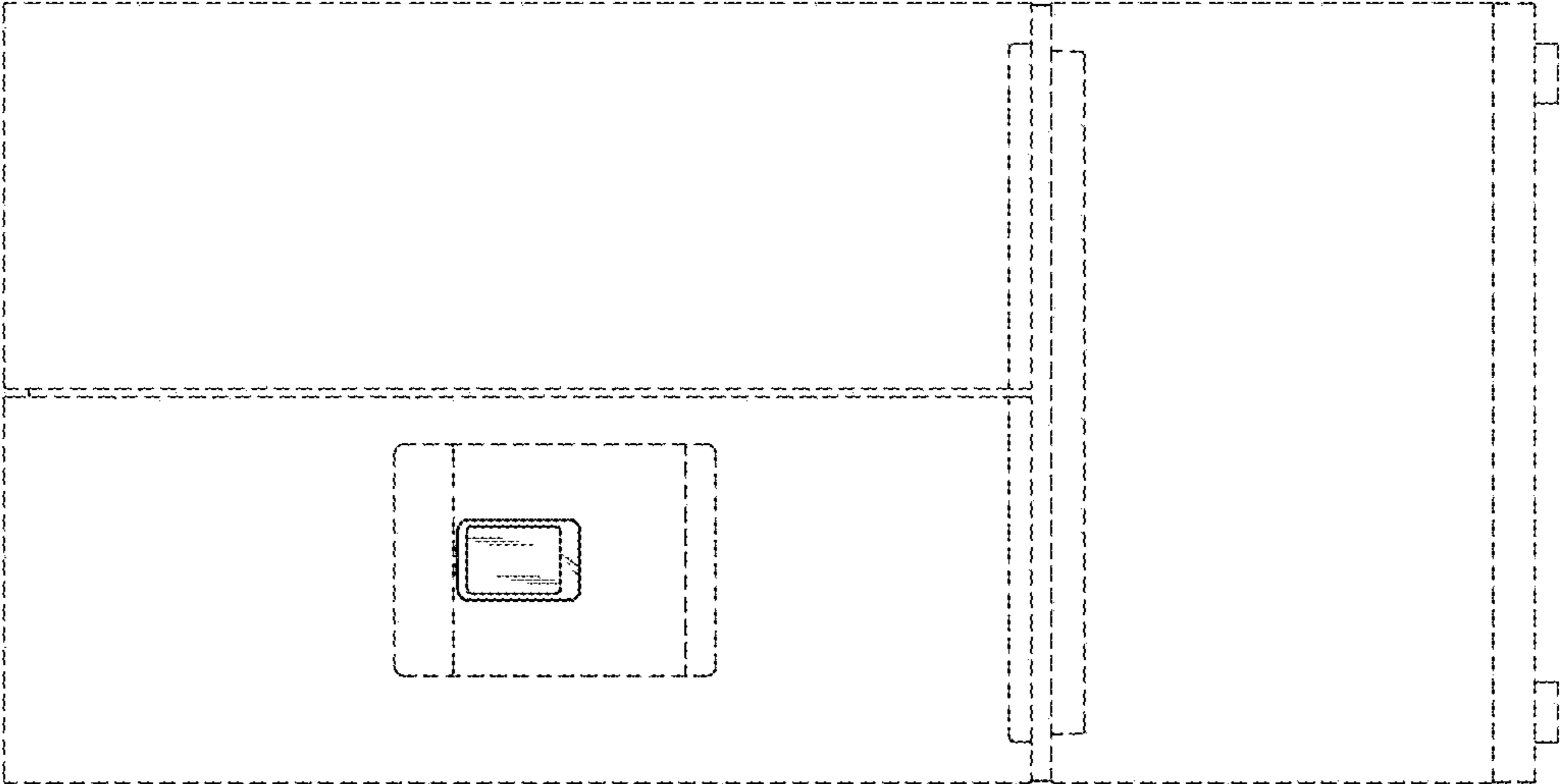


FIG. 8