



US00D917581S

(12) **United States Design Patent** (10) **Patent No.:** **US D917,581 S**
Sivasankaran et al. (45) **Date of Patent:** **** *Apr. 27, 2021**

(54) **FUEL DISPENSER HOUSING**
(71) Applicant: **Gilbarco Veeder Root India Pvt. Ltd.,**
Mumbai (IN)
(72) Inventors: **Udayasankar Thuluvan Parambil**
Sivasankaran, Navi Mumbai (IN);
Chandrashekhar Madhusudan
Wyawahare, Pune (IN)

D488,280 S * 4/2004 Zerman D99/28
D553,648 S * 10/2007 Laya H. D15/9.1
D570,376 S * 6/2008 Friend, Jr. D15/9.1
D655,315 S * 3/2012 Helgesson D15/9.1
D659,748 S 5/2012 Helgesson et al.
D664,997 S 8/2012 Helgesson et al.
D667,846 S * 9/2012 Helgesson D15/9.2
D677,284 S * 3/2013 Helgesson D15/9.2
D679,745 S 4/2013 Helgesson et al.

(Continued)

(73) Assignee: **GILBARCO VEEDER ROOT INDIA**
PVT. LTD., Mumbai (IN)

OTHER PUBLICATIONS

(*) Notice: This patent is subject to a terminal disclaimer.

Found on Gilbarco Veeder-Root website, [site visited Mar. 24, 2020]. Shown on internet URL: <<https://www.gilbarco.com/eu/our-solutions/fuel-dispensers/horizon-ii>> (Year: 2020) (Year: 2020).*

(Continued)

(**) Term: **15 Years**

Primary Examiner — Sheryl Lane

(21) Appl. No.: **29/680,425**

Assistant Examiner — Mark T. Philipps

(22) Filed: **Feb. 15, 2019**

(74) *Attorney, Agent, or Firm* — Nelson Mullis Riley & Scarborough LLP

(51) **LOC (13) Cl.** **15-02**

(52) **U.S. Cl.**

(57) **CLAIM**

USPC **D15/9.1**

The ornamental design for a fuel dispenser housing, substantially as shown and described.

(58) **Field of Classification Search**

DESCRIPTION

USPC D15/7-9.3; D25/18, 26, 28; D99/28

CPC B67D 7/04; B67D 7/78; B67D 7/145

See application file for complete search history.

(56) **References Cited**

U.S. PATENT DOCUMENTS

4,576,312 A * 3/1986 Swick, Jr. B67D 7/06
222/173
D414,781 S * 10/1999 Wilson D15/9.2
D415,167 S * 10/1999 Wilson D15/9.2
D415,168 S * 10/1999 Wilson D15/9.2
D415,169 S * 10/1999 Wilson D15/9.2
D415,172 S * 10/1999 Wilson D15/9.2
D415,501 S * 10/1999 Wilson D15/9.2
D422,285 S * 4/2000 Wilson D15/9.2
D435,051 S * 12/2000 Wilson D15/9.1
D440,579 S * 4/2001 Wilson D15/9.2

FIG. 1 is a perspective view of a new, original, and ornamental design of a fuel dispenser housing in accordance with the present invention;

FIG. 2 is a front side elevation view thereof;

FIG. 3 is a right side elevation view thereof, with the left side elevation view being identical thereto;

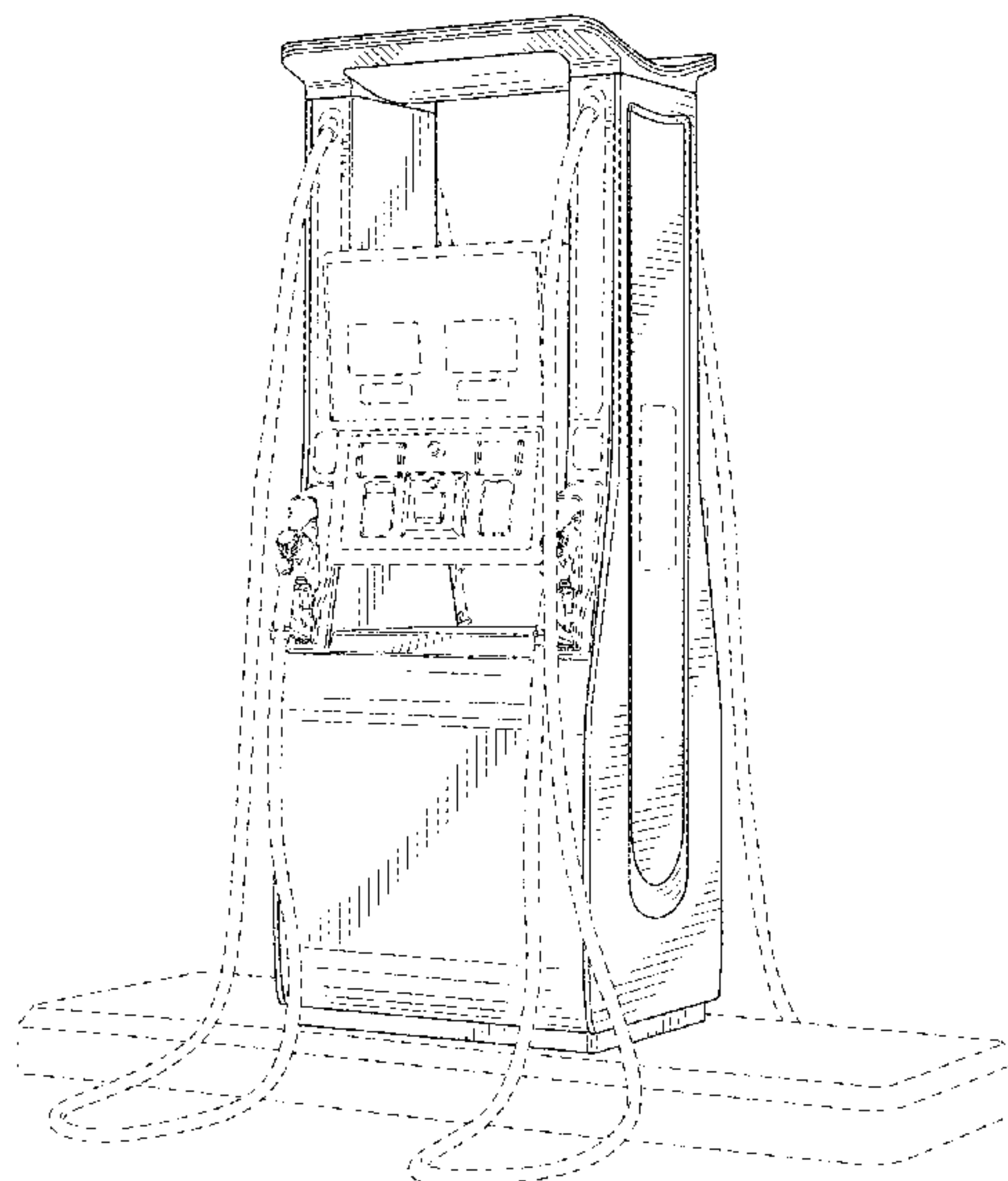
FIG. 4 is a top side plan view thereof;

FIG. 5 is a bottom plan view taken along the line 5-5 of FIG. 3; and,

FIG. 6 is a bottom side plan view thereof.

The broken lines represent portions of the article, and form no part of the claimed design.

1 Claim, 6 Drawing Sheets



(56)

References Cited

U.S. PATENT DOCUMENTS

D681,681 S * 5/2013 Schmelzer D15/9.2
 D681,682 S * 5/2013 Schmelzer D15/9.2
 D681,683 S 5/2013 Schmelzer et al.
 D681,717 S 5/2013 Helgesson et al.
 D688,274 S * 8/2013 Schmelzer D15/9.2
 D688,275 S * 8/2013 Schmelzer D15/9.2
 D700,917 S * 3/2014 Helgesson D15/9.2
 D718,338 S * 11/2014 Helgesson D15/9.2
 D727,365 S 4/2015 Helgesson et al.
 D739,443 S * 9/2015 Larsson D15/9.2
 D745,060 S * 12/2015 Larsson D15/9.2
 D746,875 S * 1/2016 Helgesson D15/9.3
 D758,452 S * 6/2016 Helgesson D15/9.2
 D768,726 S 10/2016 Helgesson et al.
 D775,237 S 12/2016 Helgesson et al.
 D780,809 S * 3/2017 Helgesson D15/9.2
 D809,569 S * 2/2018 Ozeki D15/9.2
 D810,146 S * 2/2018 Reiter D15/9.2
 D824,961 S 8/2018 Helgesson et al.
 D828,405 S * 9/2018 Lee D15/9.1
 D866,607 S * 11/2019 Helgesson D15/9.2
 2018/0012205 A1 * 1/2018 Fieglein G07F 13/025

2018/0079638 A1* 3/2018 Larsson B65H 75/368
 2018/0105413 A1* 4/2018 Fieglein G07G 1/14
 2019/0135608 A1* 5/2019 Carapelli B67D 7/085

OTHER PUBLICATIONS

Found on Wayne Fueling Systems website [site visited Mar. 25, 2020] Shown on internet URL: <<https://www-qa.wayne.com/en/products/helix-fuel-dispenser/>> (Year 2020) (Year: 2020).
 U.S. Appl. No. 29/680,405, filed Feb. 15, 2019 entitled "Fuel Dispenser Housing," all enclosed pages cited.
 U.S. Appl. No. 29/680,407, filed Feb. 15, 2019 entitled "Fuel Dispenser Housing," all enclosed pages cited.
 U.S. Appl. No. 29/680,416, filed Feb. 15, 2019 entitled "Fuel Dispenser Housing Canopy," all enclosed pages cited.
 U.S. Appl. No. 29/680,422, filed Feb. 15, 2019 entitled "Fuel Dispenser Housing," all enclosed pages cited.
 U.S. Appl. No. 29/680,429, filed Feb. 15, 2019 entitled "Fuel Dispenser User Interface Housing," all enclosed pages cited.
 U.S. Appl. No. 29/680,434, filed Feb. 15, 2019 entitled "Fuel Dispenser Housing," all enclosed pages cited.
 U.S. Appl. No. 29/680,436, filed Feb. 15, 2019 entitled "Fuel Dispenser Housing," all enclosed pages cited.

* cited by examiner

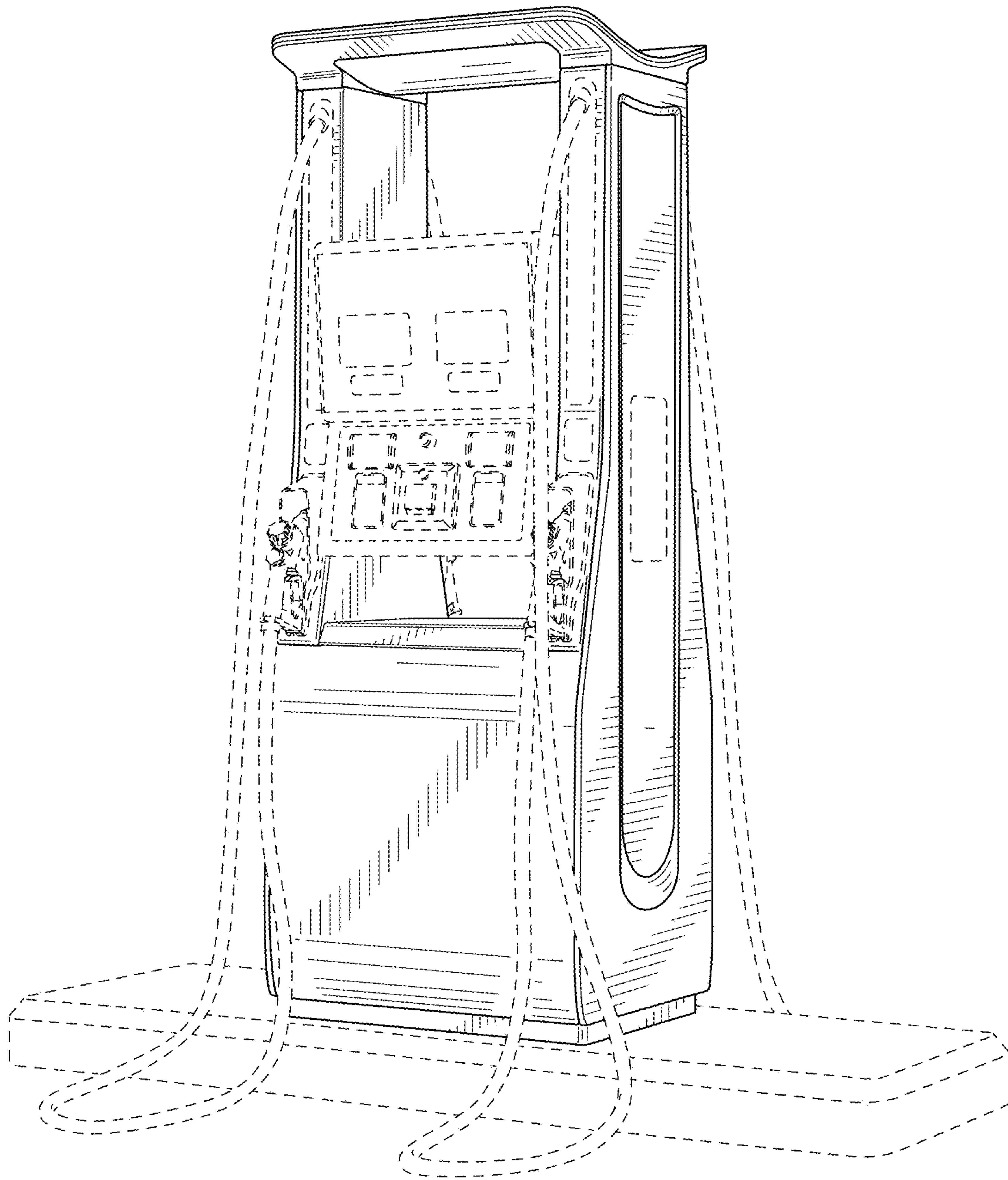


FIG. 1

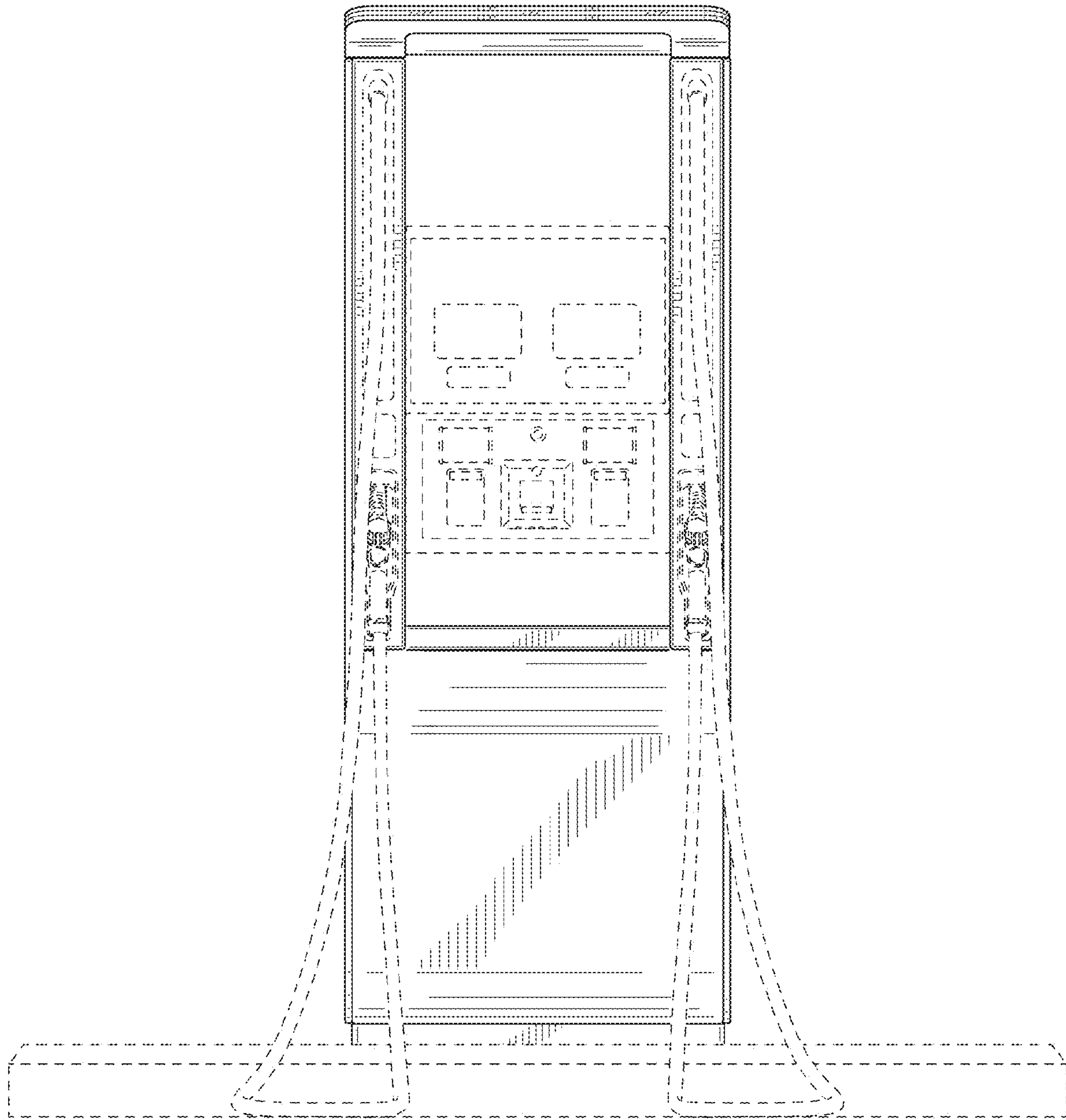


FIG. 2

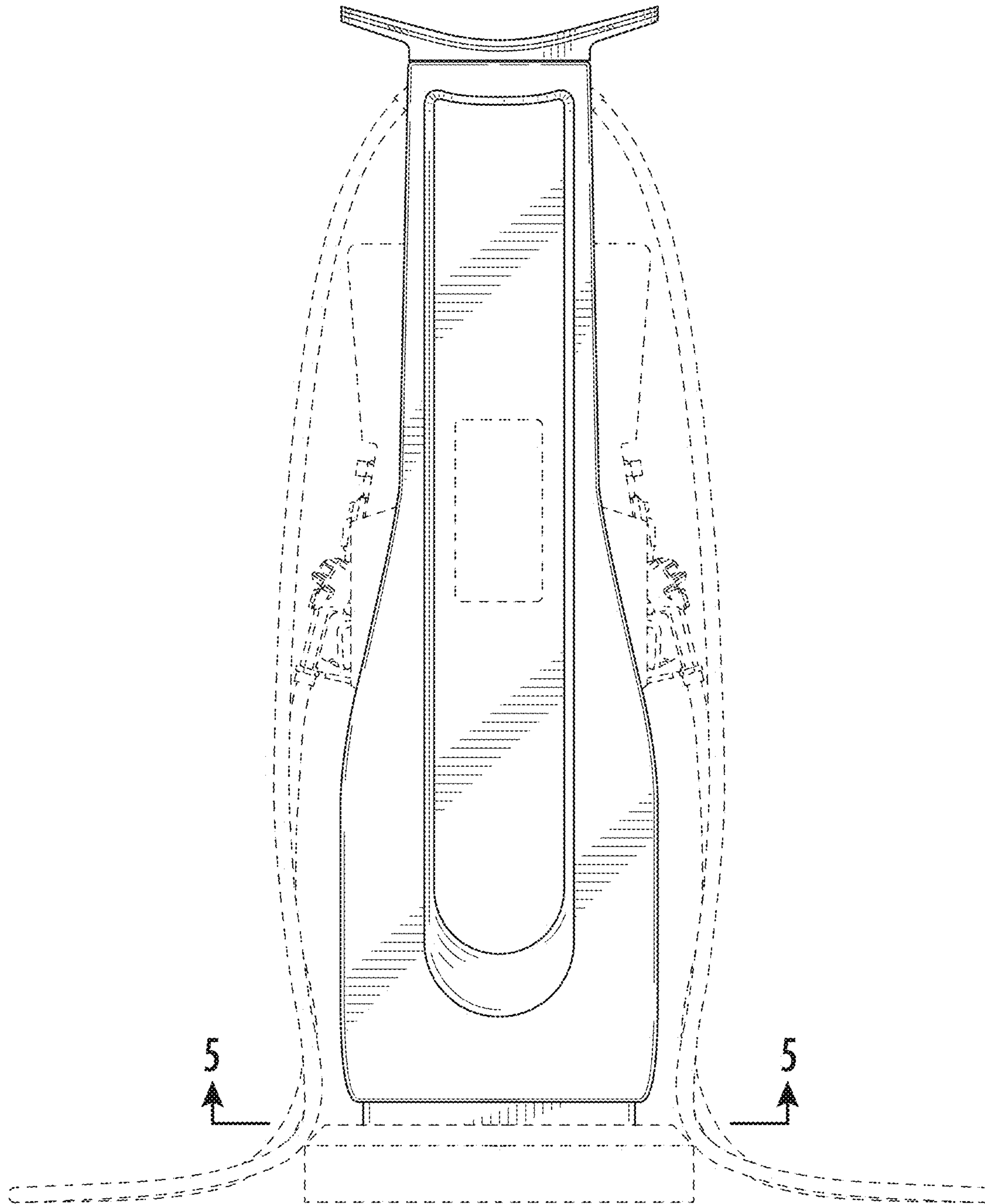


FIG. 3

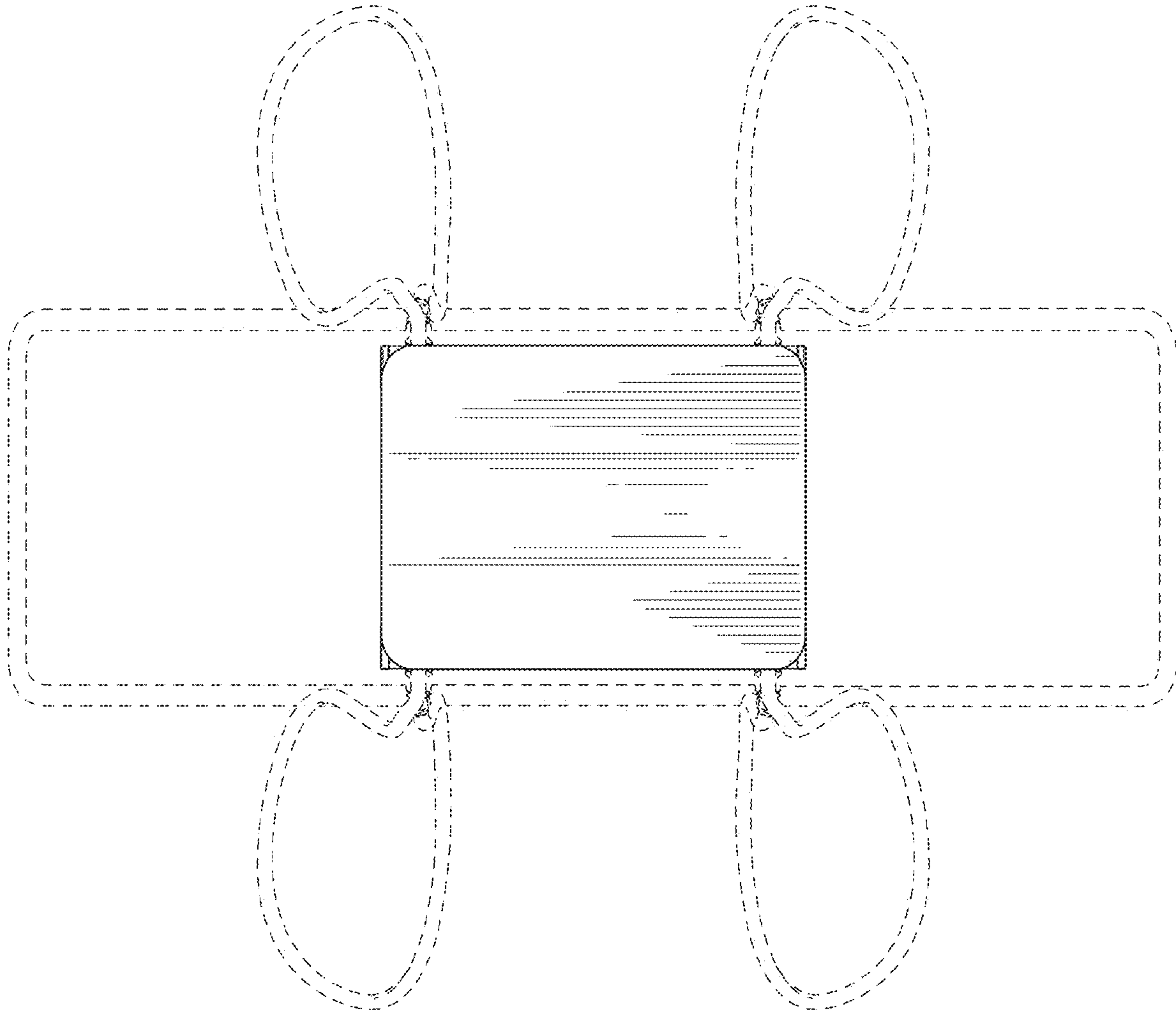


FIG. 4

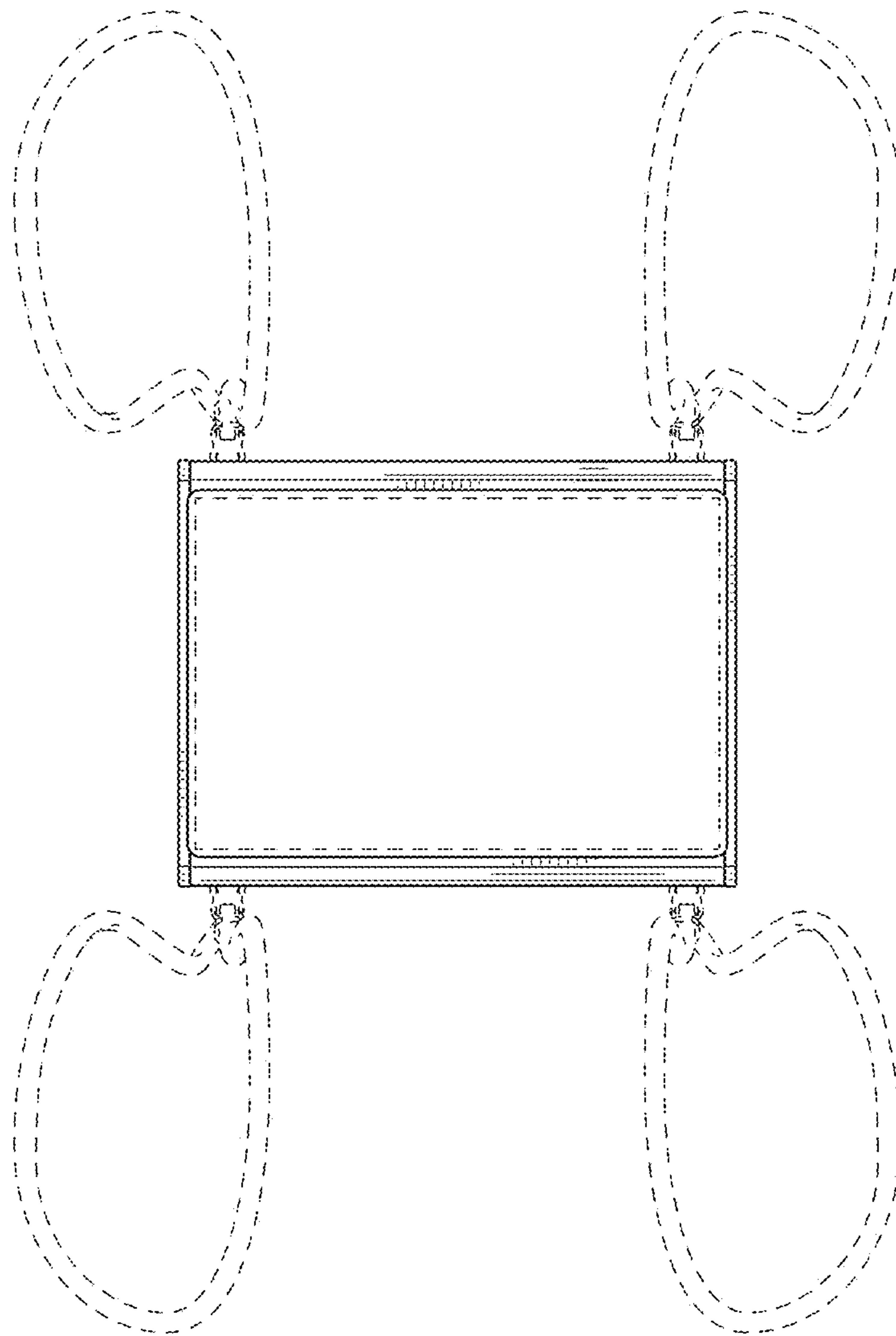


FIG. 5

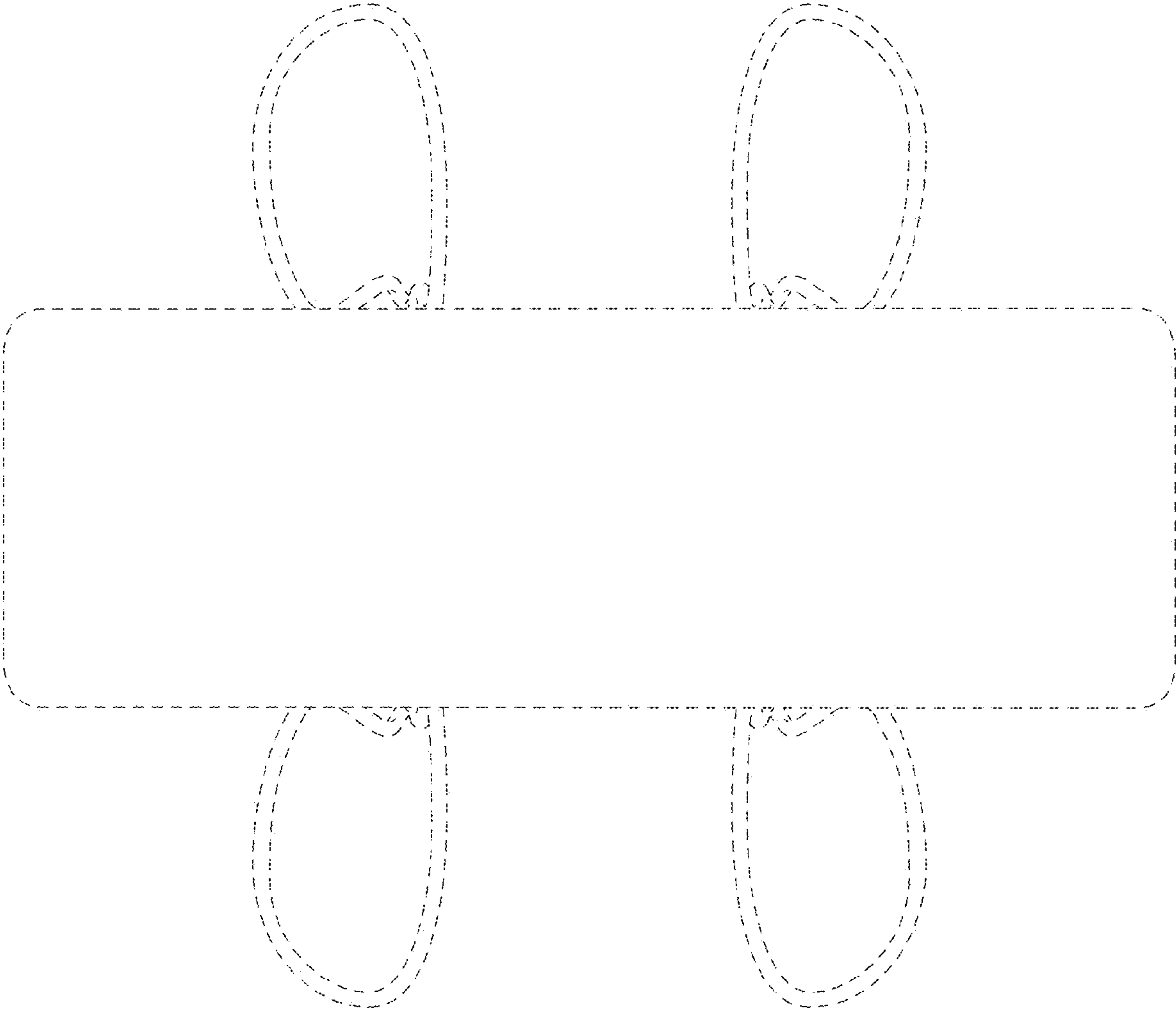


FIG. 6