



US00D917579S

(12) **United States Design Patent**
Nishido et al.

(10) **Patent No.:** **US D917,579 S**
(45) **Date of Patent:** **** Apr. 27, 2021**

(54) **COMPRESSOR**

(71) Applicant: **MAKITA CORPORATION**, Anjo (JP)

(72) Inventors: **Noriyuki Nishido**, Anjo (JP); **Yasuhiro Morioka**, Anjo (JP); **Kazunori Hattori**, Anjo (JP)

(73) Assignee: **MAKITA CORPORATION**, Anjo (JP)

(**) Term: **15 Years**

(21) Appl. No.: **29/709,537**

(22) Filed: **Oct. 15, 2019**

(30) **Foreign Application Priority Data**

Apr. 16, 2019 (JP) 2019-008332

(51) **LOC (13) Cl.** **15-02**

(52) **U.S. Cl.**
USPC **D15/9**

(58) **Field of Classification Search**

USPC D13/103, 107; D15/7-9
CPC F04B 41/00; F04B 41/02; F04B 41/04;
F04B 41/06; F04B 35/00; F04B 35/06;
F04B 35/002; F04B 35/86; F04B 31/00;
F04B 49/00; F04B 25/00; F04B 25/005;
F04B 25/02; F04B 25/04

See application file for complete search history.

(56) **References Cited**

U.S. PATENT DOCUMENTS

6,375,437 B1 * 4/2002 Nolan F04B 35/06
137/248
D487,097 S * 2/2004 Buck D15/9
D491,197 S * 6/2004 Stilwell D15/9
D499,430 S * 12/2004 Buck D15/9
D499,747 S * 12/2004 Buck D15/9
D534,550 S * 1/2007 Beecham D15/9
D537,840 S * 3/2007 Smith D15/9
D553,647 S * 10/2007 Steinfels D15/9

(Continued)

OTHER PUBLICATIONS

Craftsman, 2-Gallon Single Stage Portable Electric Hot Dog Air Compressor, (site visited Dec. 15, 2020), Lowes.com, URL:<https://www.lowes.com/pd/CRAFTSMAN-2-Gallon-Single-Stage-Portable-Electric-Hot-Dog-Air-Compressor/1000940484> (Year: 2020).*

(Continued)

Primary Examiner — Sheryl Lane

Assistant Examiner — Mark T. Philipps

(74) *Attorney, Agent, or Firm* — Global IP Counselors, LLP

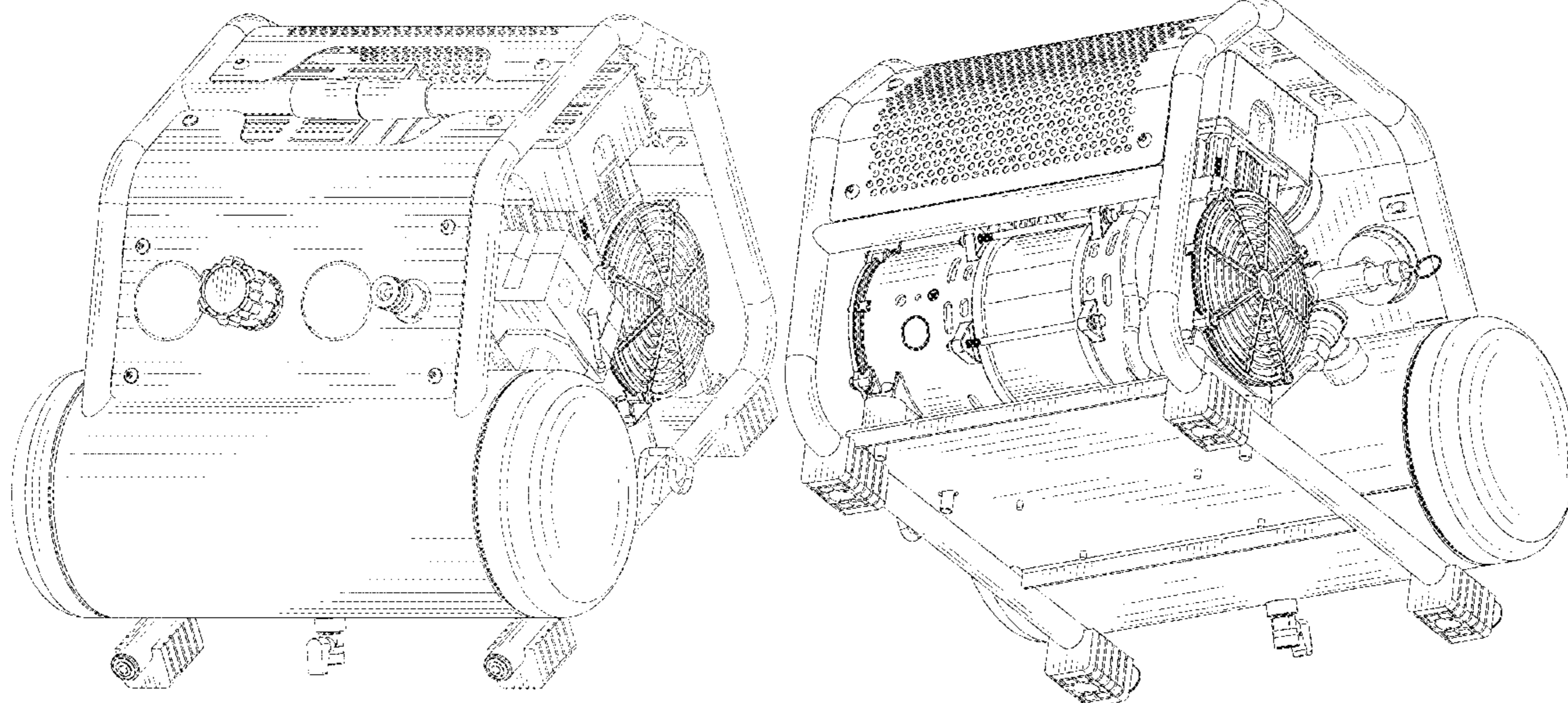
(57) **CLAIM**

The ornamental design for a compressor, as shown and described.

DESCRIPTION

FIG. 1 is a front perspective view of a compressor in accordance with our new design;
FIG. 2 is a rear perspective view of the compressor in accordance with our new design;
FIG. 3 is a front elevational view of the compressor in accordance with our new design;
FIG. 4 is a rear elevational view of the compressor in accordance with our new design;
FIG. 5 is a top plan view of the compressor in accordance with our new design;
FIG. 6 is a bottom plan view of the compressor in accordance with our new design;
FIG. 7 is a right side elevational view of the compressor in accordance with our new design; and,
FIG. 8 is a left side elevational view of the compressor in accordance with our new design.
The broken lines represent portions of the air compressor and forms no part of the claimed design.

1 Claim, 8 Drawing Sheets



(56)

References Cited

U.S. PATENT DOCUMENTS

D559,272 S * 1/2008 Buck D15/9
D574,859 S * 8/2008 Hernandez D15/9
D575,309 S * 8/2008 Steinfels D15/9
D603,871 S * 11/2009 Steinfels D15/7
D604,746 S 11/2009 Nishido et al.
D664,996 S * 8/2012 Hsiao D15/9
D680,555 S * 4/2013 Craig D15/7
D680,556 S * 4/2013 Craig D15/7
D710,902 S * 8/2014 Vintzel D15/9
D710,903 S * 8/2014 Vintzel D15/9
D806,753 S * 1/2018 Wood D15/7
D806,755 S * 1/2018 Wood D15/9
D854,585 S * 7/2019 Bindhammer D15/9
2007/0122292 A1 * 5/2007 Etter F04B 41/02
417/234
2010/0290929 A1 * 11/2010 Ohi F04B 41/02
417/360
2018/0320677 A1 * 11/2018 Thackery F04B 41/02

OTHER PUBLICATIONS

Husky, Husky Electric Portable Air Compressor (4 Gal.225 PSI), (site visited Dec. 15, 2020), K-Bid.com, URL:<<https://www.k-bid.com/auction/34244/item/4>> (Year: 2020).*

Makita, Model #MAC210Q Quiet Series 2 Gal. 1 HP Oil-Free Electric Air Compressor, (site visited Dec. 15, 2020), Homedepot.com, URL:<<https://www.homedepot.com/p/Makita-Quiet-Series-2-Gal-1-HP-Oil-Free-Electric-Air-Compressor-MAC210Q/312309203>> (Year: 2020).*

* cited by examiner

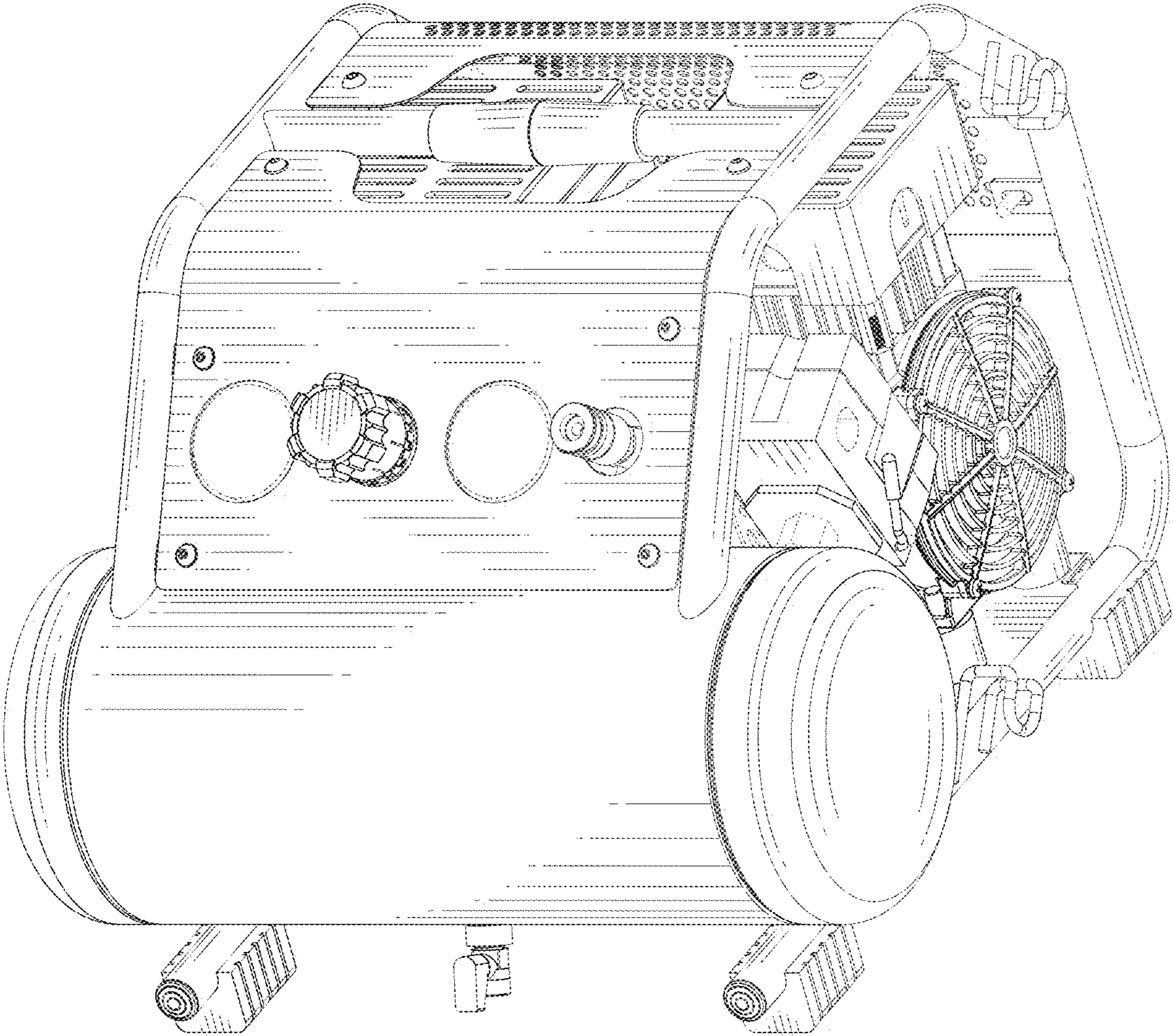


FIG. 1

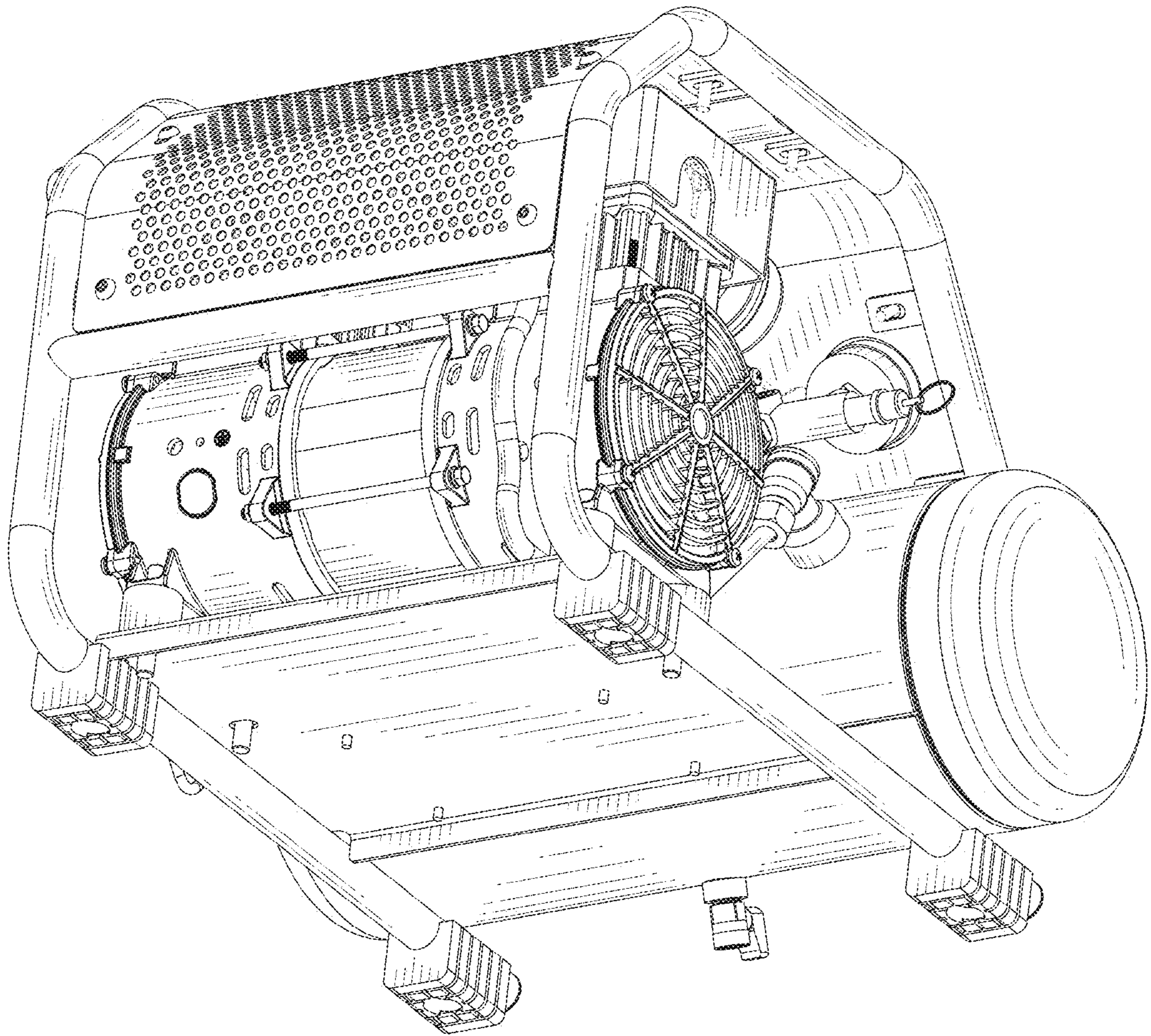


FIG. 2

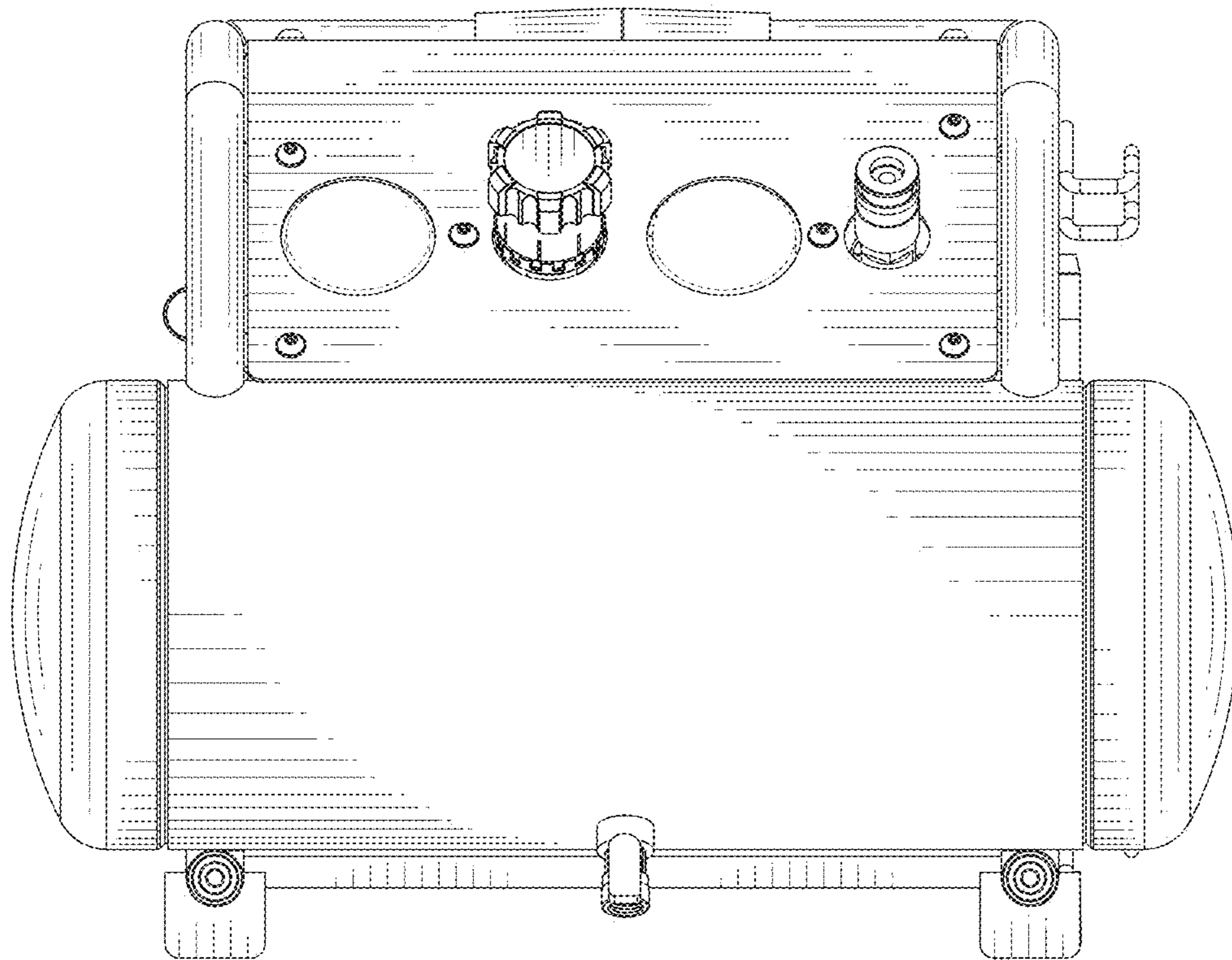


FIG. 3

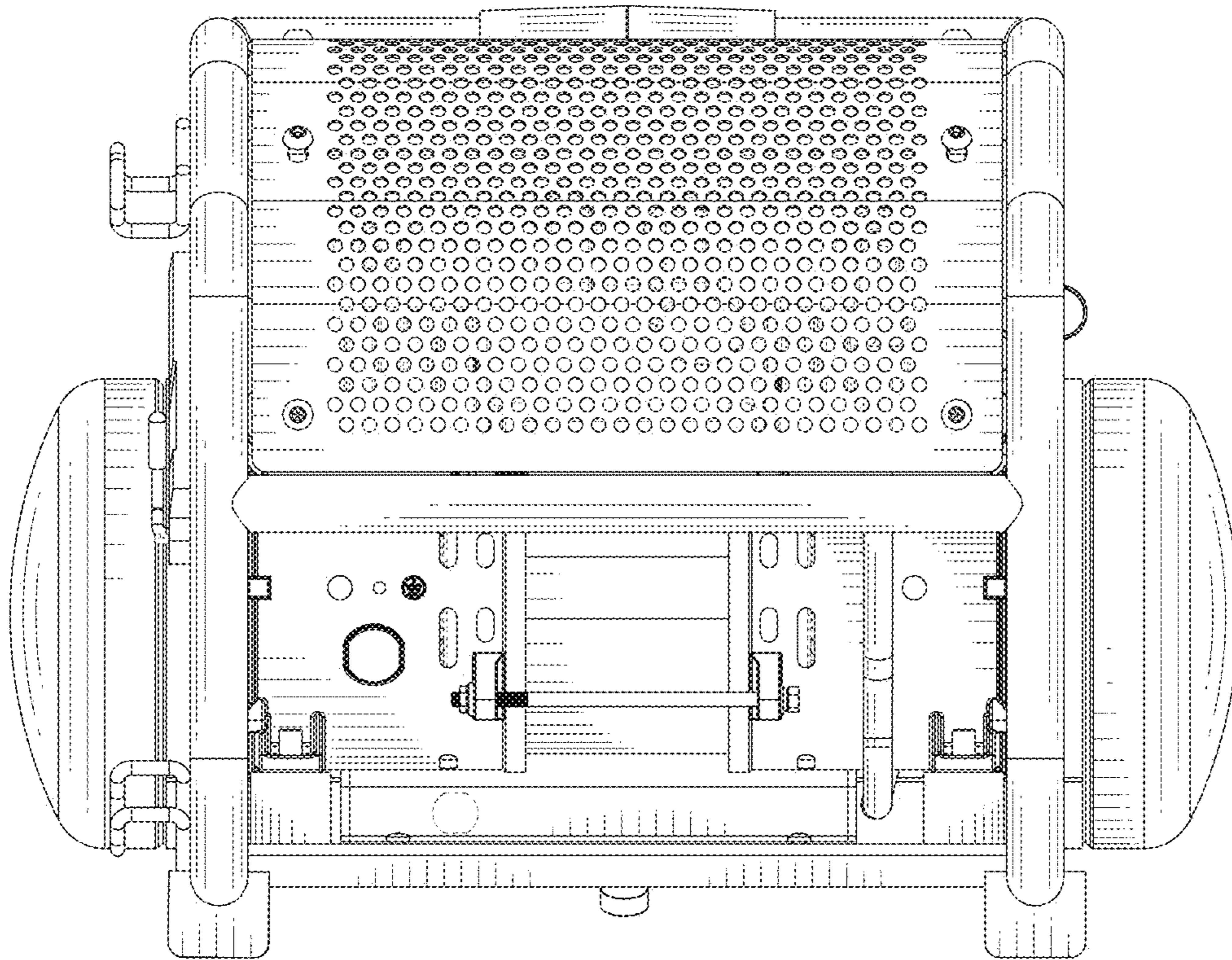


FIG. 4

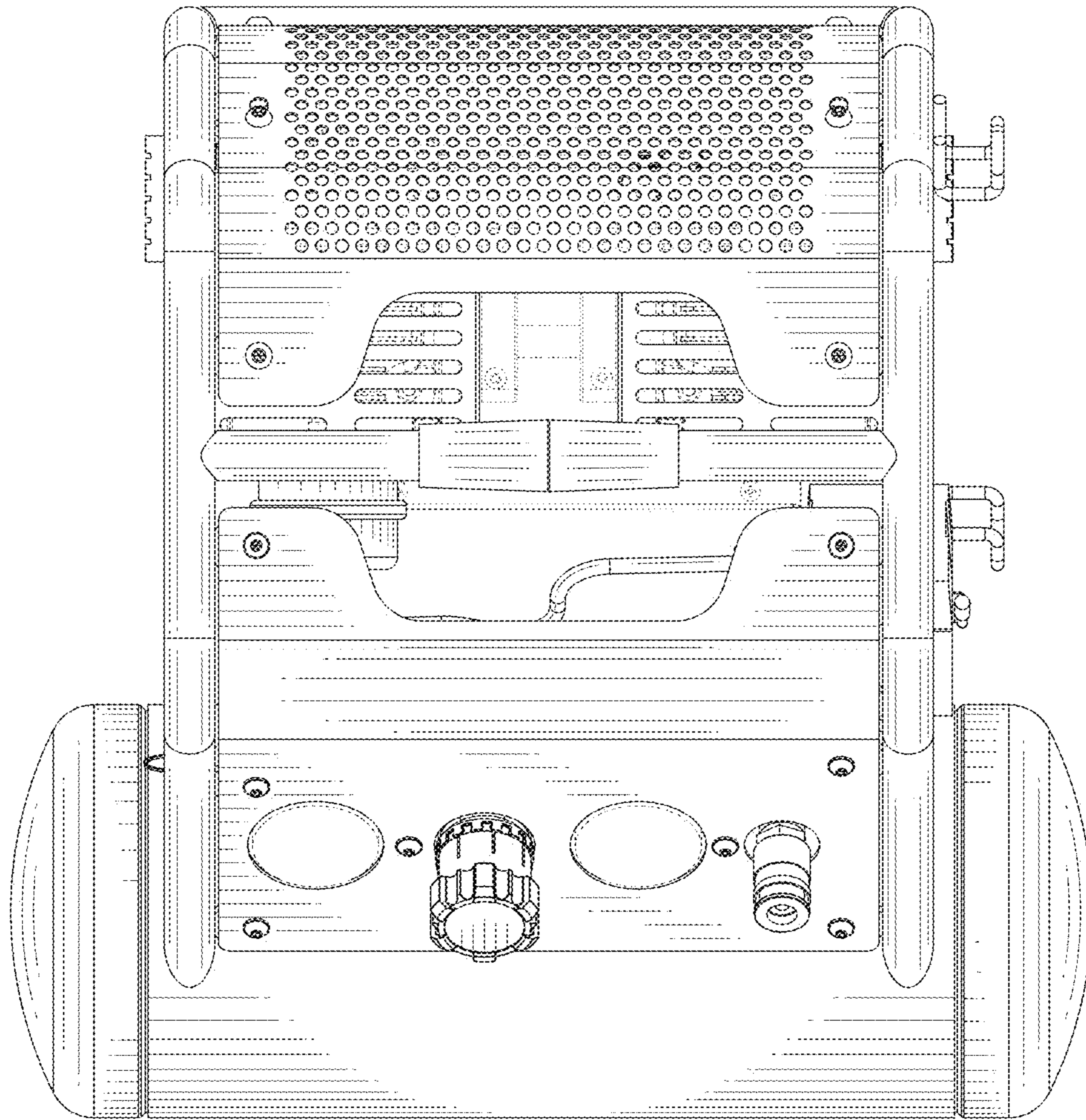


FIG. 5

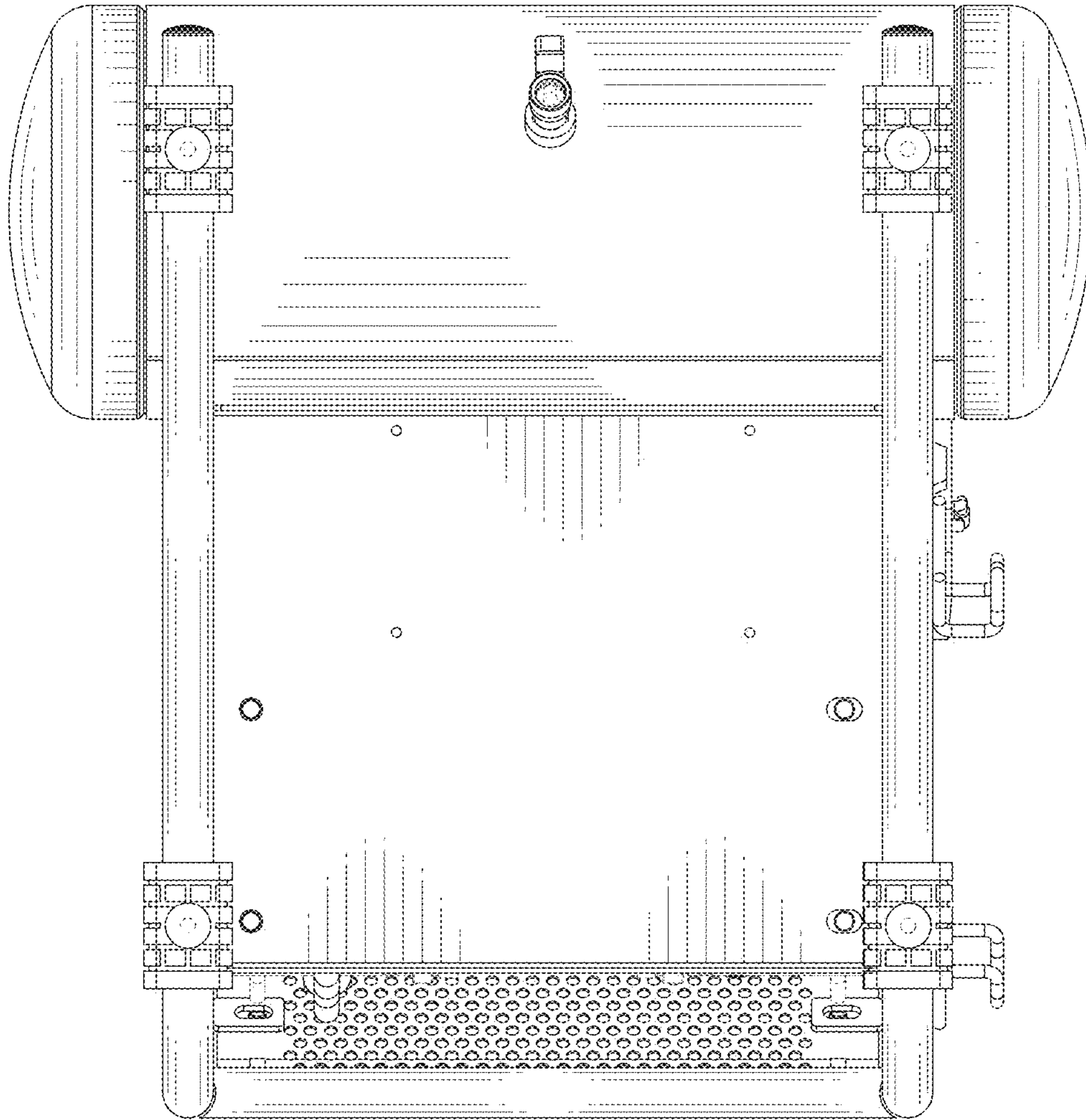


FIG. 6

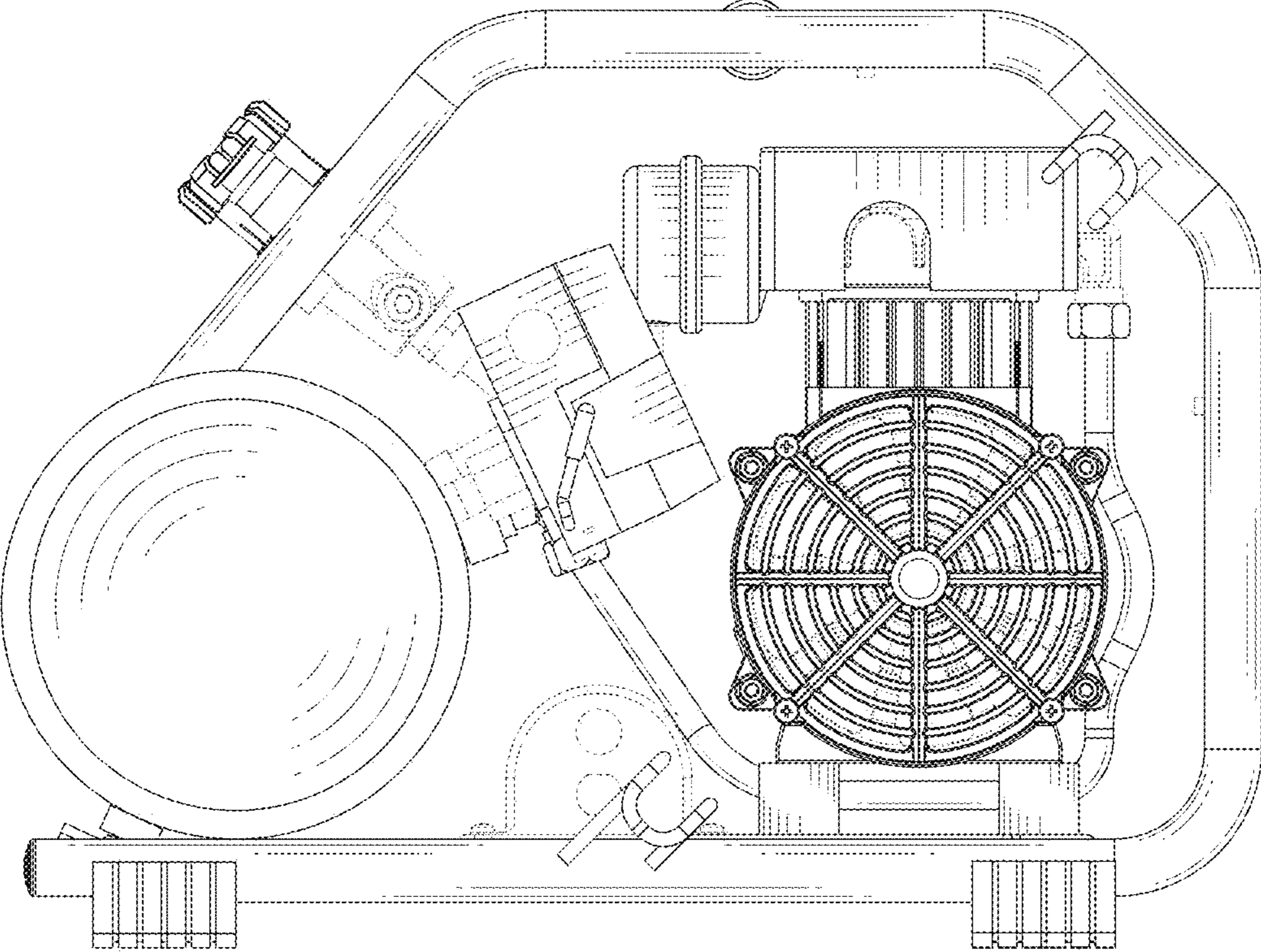


FIG. 7

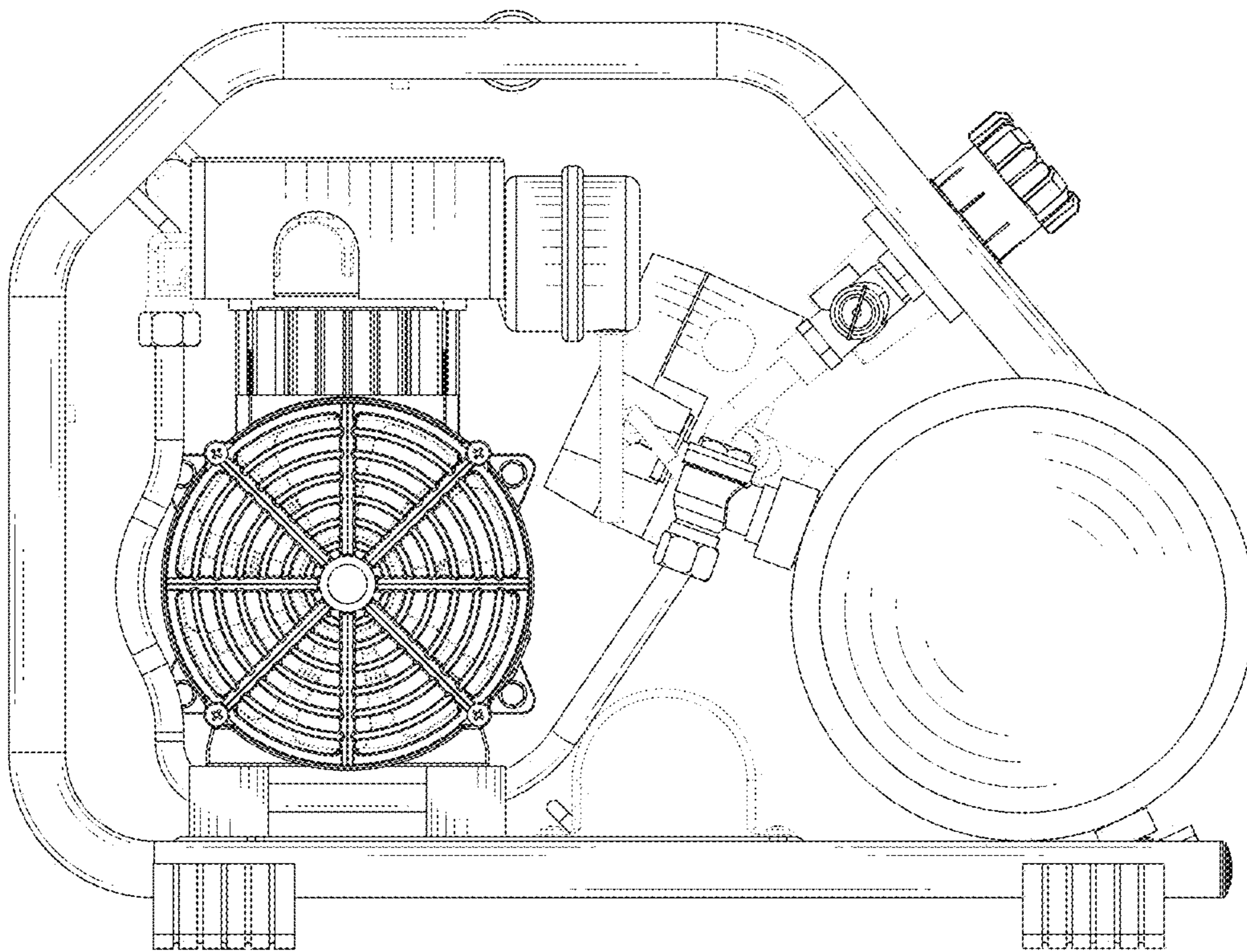


FIG. 8