



US00D917576S

(12) **United States Design Patent** (10) **Patent No.:** **US D917,576 S**
Matteo (45) **Date of Patent:** **** Apr. 27, 2021**

(54) **MOTOR AND PUMP SHROUD FOR AIR COMPRESSOR**

(71) Applicant: **Harbor Freight Tools USA, Inc.**,
Calabasas, CA (US)

(72) Inventor: **Michael Matteo**, Los Angeles, CA (US)

(73) Assignee: **Harbor Freight Tools USA, INC.**,
Calabasas, CA (US)

(**) Term: **15 Years**

(21) Appl. No.: **29/704,532**

(22) Filed: **Sep. 5, 2019**

(51) **LOC (13) Cl.** **15-02**

(52) **U.S. Cl.**
USPC **D15/9; D15/7**

(58) **Field of Classification Search**
USPC D13/103, 107; D23/210, 225, 231, 232;
D15/7-9

CPC F04B 41/00; F04B 41/02; F04B 41/04;
F04B 41/06; F04B 35/00; F04B 35/06;
F04B 35/002; F04B 35/86; F04B 31/00;
F04B 49/00; F04B 17/03; F04B 17/06;
F04B 33/005; F04B 33/00; F04B 33/02;
F04B 25/005

See application file for complete search history.

(56) **References Cited**

U.S. PATENT DOCUMENTS

D293,585 S *	1/1988	Morgan	D15/9
5,054,740 A *	10/1991	Wheeler	F16M 11/22 248/675
D352,292 S *	11/1994	Morgan	D15/7
D475,721 S *	6/2003	Harper	D15/9
D478,095 S *	8/2003	Reger	D15/9
D497,917 S *	11/2004	Harper	D15/9
D500,769 S *	1/2005	Montgomery	D15/7
D530,725 S *	10/2006	Beckman	D15/9

D534,287 S *	12/2006	Krieger	D26/38
D534,549 S *	1/2007	Beecham	D15/9
D534,550 S *	1/2007	Beecham	D15/9
D534,926 S *	1/2007	Beecham	D15/9
D535,309 S *	1/2007	Breecham	D15/9
D562,851 S *	2/2008	Leasure	D15/9
D575,308 S *	8/2008	Plunk	D15/9
D576,512 S *	9/2008	Leasure	D15/7

(Continued)

OTHER PUBLICATIONS

Harbor Freight Tools USA Inc., FORTRESS 27 Gallon 200 PSI High Performance Vertical Shop/Auto Air Compressor, (site visited Nov. 20, 2020), Harbor Freight website, URL:<<https://www.harborfreight.com/27-gallon-200-psi-high-performance-vertical-shopauto-air-compressor-56403.html>> (Year: 2020).*

Primary Examiner — Sheryl Lane

Assistant Examiner — Mark T. Philipps

(74) *Attorney, Agent, or Firm* — McAndrews Held & Malloy, Ltd.

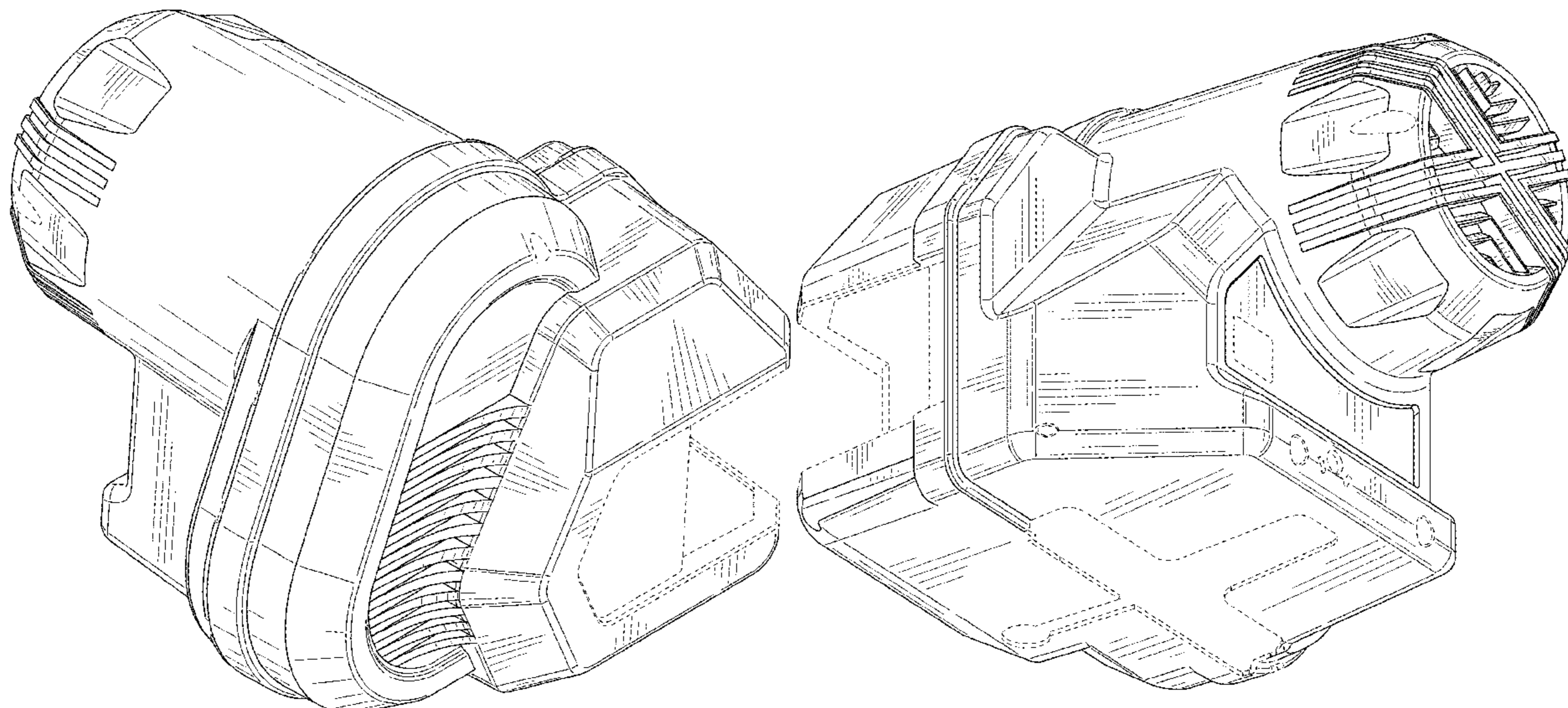
(57) **CLAIM**

The ornamental design for an motor and pump shroud for air compressor, as shown and described.

DESCRIPTION

FIG. 1 is a top-front perspective view of an motor and pump shroud for air compressor showing my new design; FIG. 2 is a front elevation view thereof; FIG. 3 is a rear elevation thereof; FIG. 4 is a left side elevation view thereof; FIG. 5 is a right side elevation view thereof; FIG. 6 is a top plan view thereof; FIG. 7 is a bottom plan view thereof; and, FIG. 8 is a bottom-rear perspective view thereof. The dashed broken lines in the figures illustrate portions of the motor and pump shroud for air compressor that form no part of the claimed design.

1 Claim, 8 Drawing Sheets



(56)

References Cited

U.S. PATENT DOCUMENTS

D579,462	S *	10/2008	Leasure	D15/7
D579,463	S *	10/2008	Plunk	D15/9
D585,460	S *	1/2009	Plunk	D15/9
D589,065	S *	3/2009	Leasure	D15/9
D589,535	S *	3/2009	Leasure	D15/9
D604,746	S *	11/2009	Nishido	D15/7
D617,347	S *	6/2010	Plunk	D15/9
D622,739	S *	8/2010	Bass	D15/9
D636,409	S *	4/2011	Wilmes	D15/9
D637,211	S *	5/2011	Parks	D15/9
D641,765	S *	7/2011	Vieira	D15/9
D680,556	S *	4/2013	Craig	D15/7
D710,903	S *	8/2014	Vintzel	D15/9
D730,945	S *	6/2015	Leasure	D15/9
D806,757	S *	1/2018	Wood	D15/9
D838,751	S *	1/2019	Wood	D15/9
D876,485	S *	2/2020	Pauly	D15/9
2006/0104837	A1 *	5/2006	Lee	F04B 41/02 417/415
2016/0298618	A1 *	10/2016	Wood	F04B 35/06
2018/0320677	A1 *	11/2018	Thackery	F04B 41/02

* cited by examiner

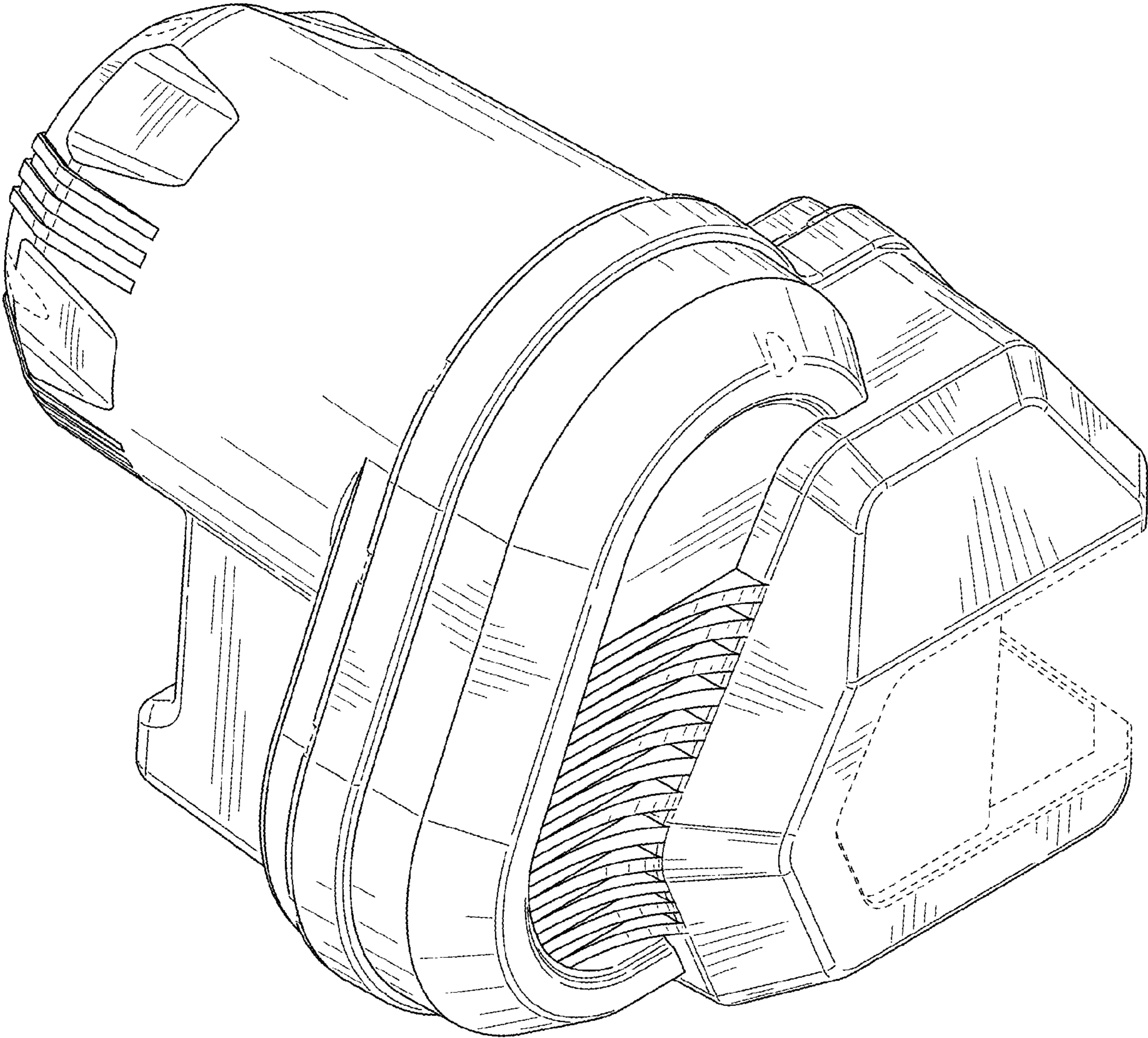


FIG. 1

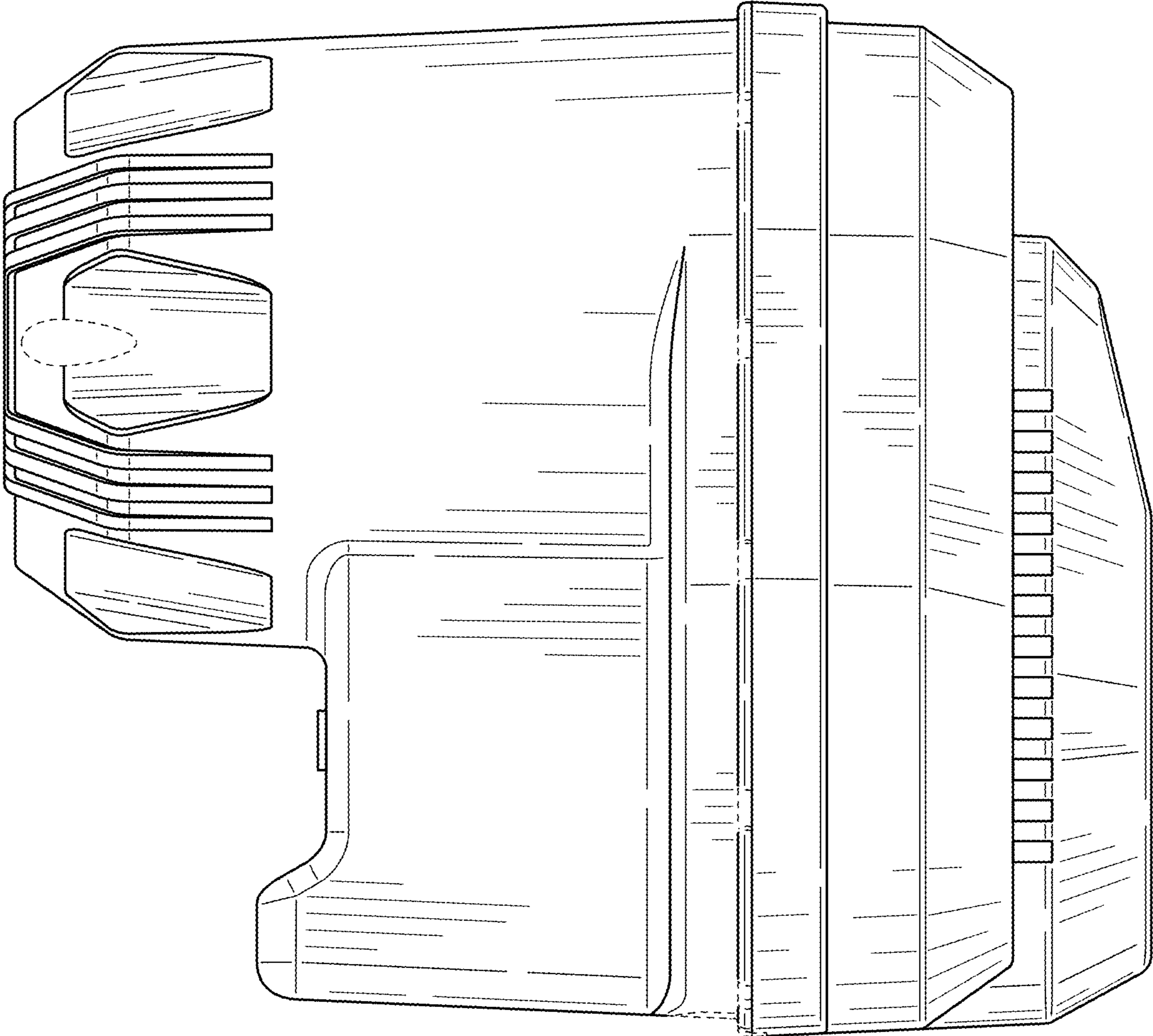


FIG. 2

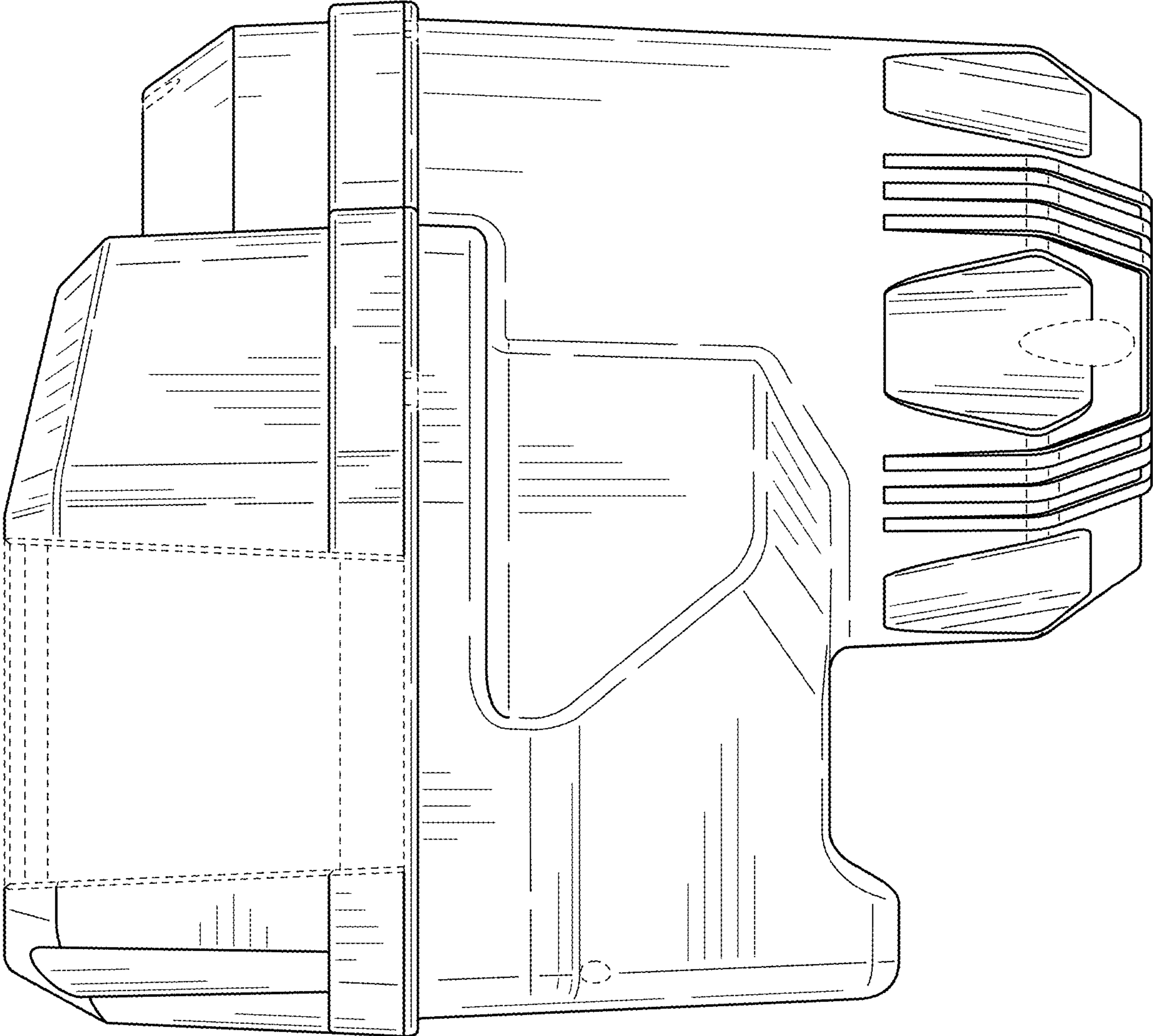


FIG. 3

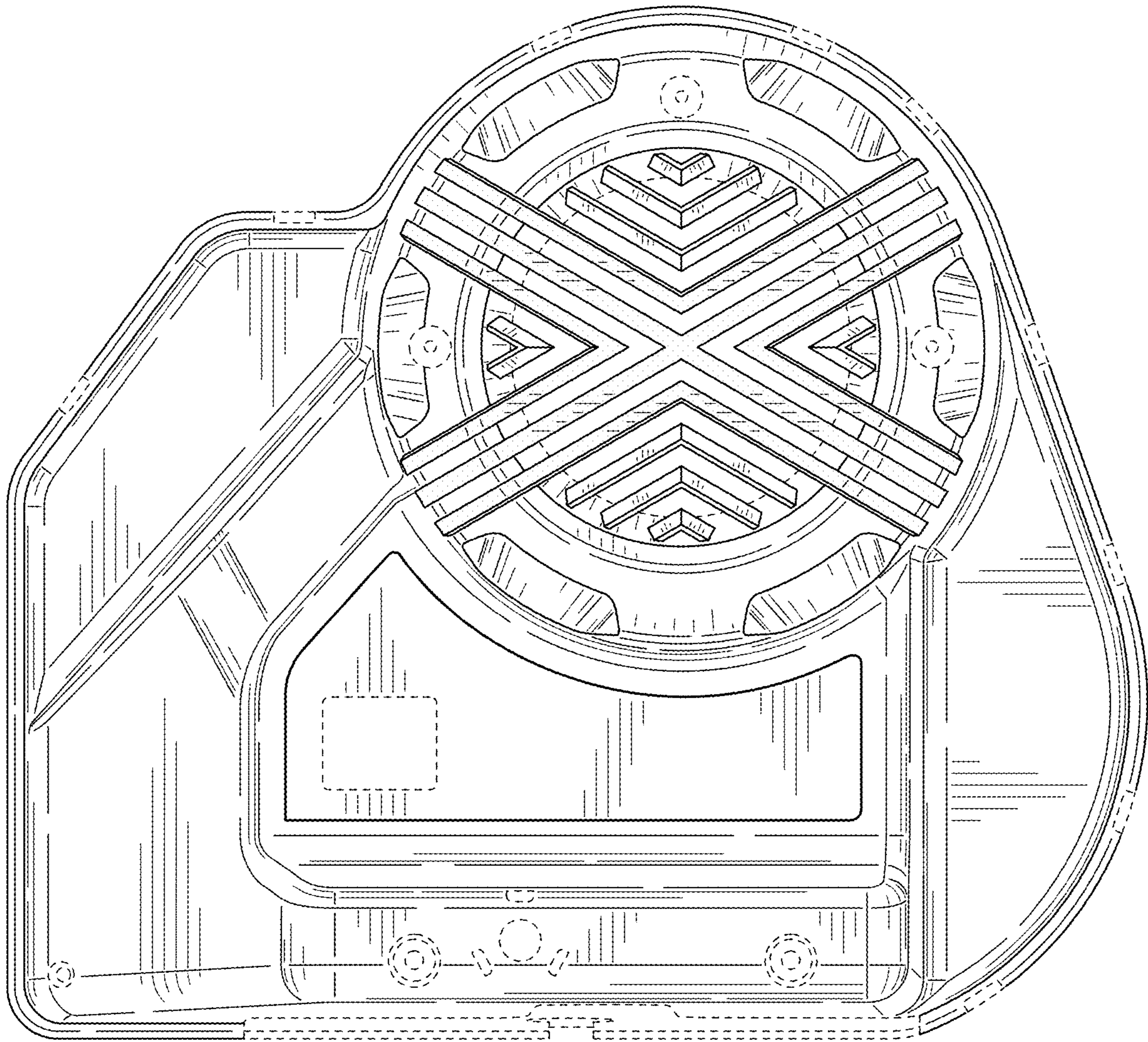


FIG. 4

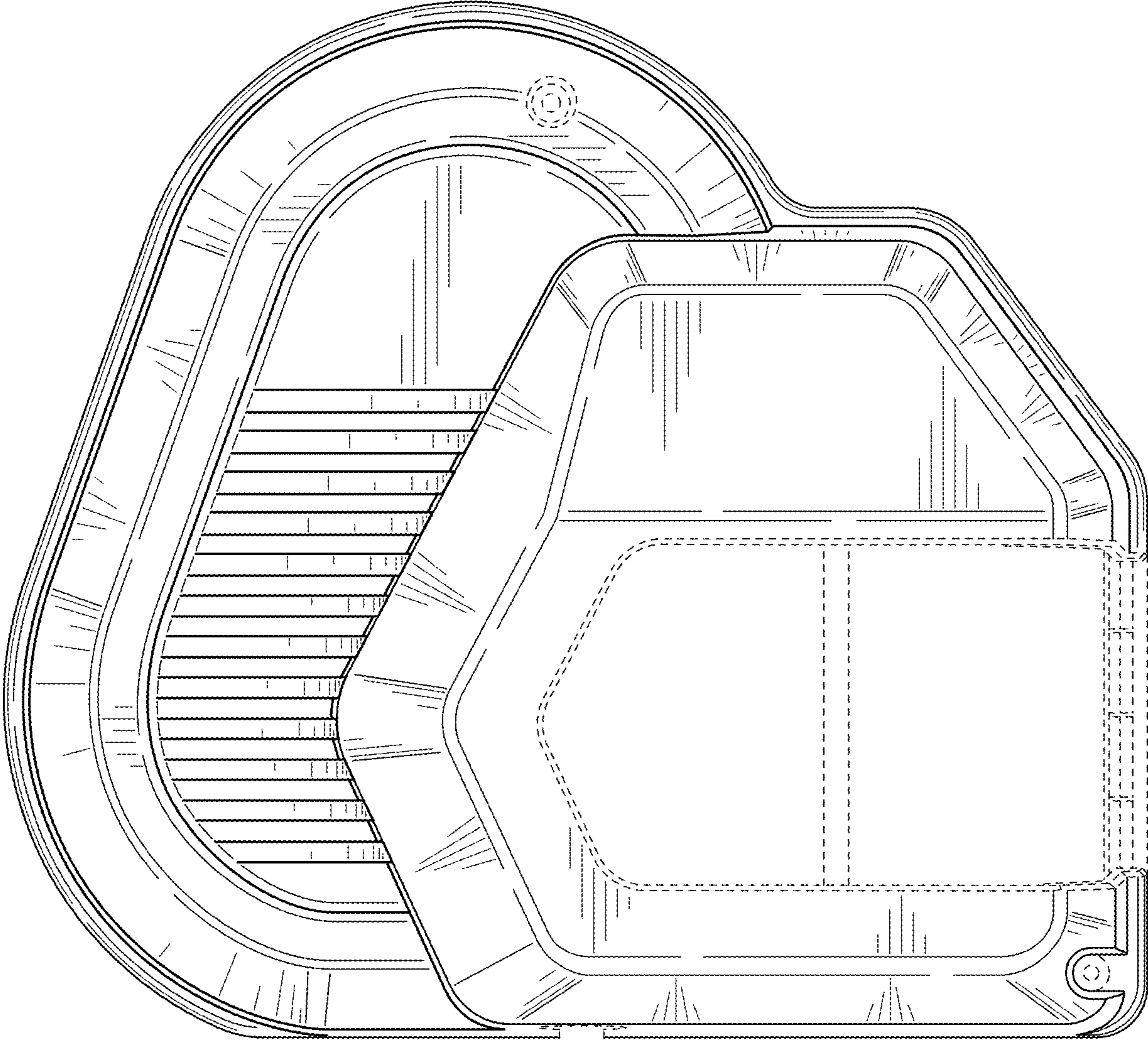


FIG. 5

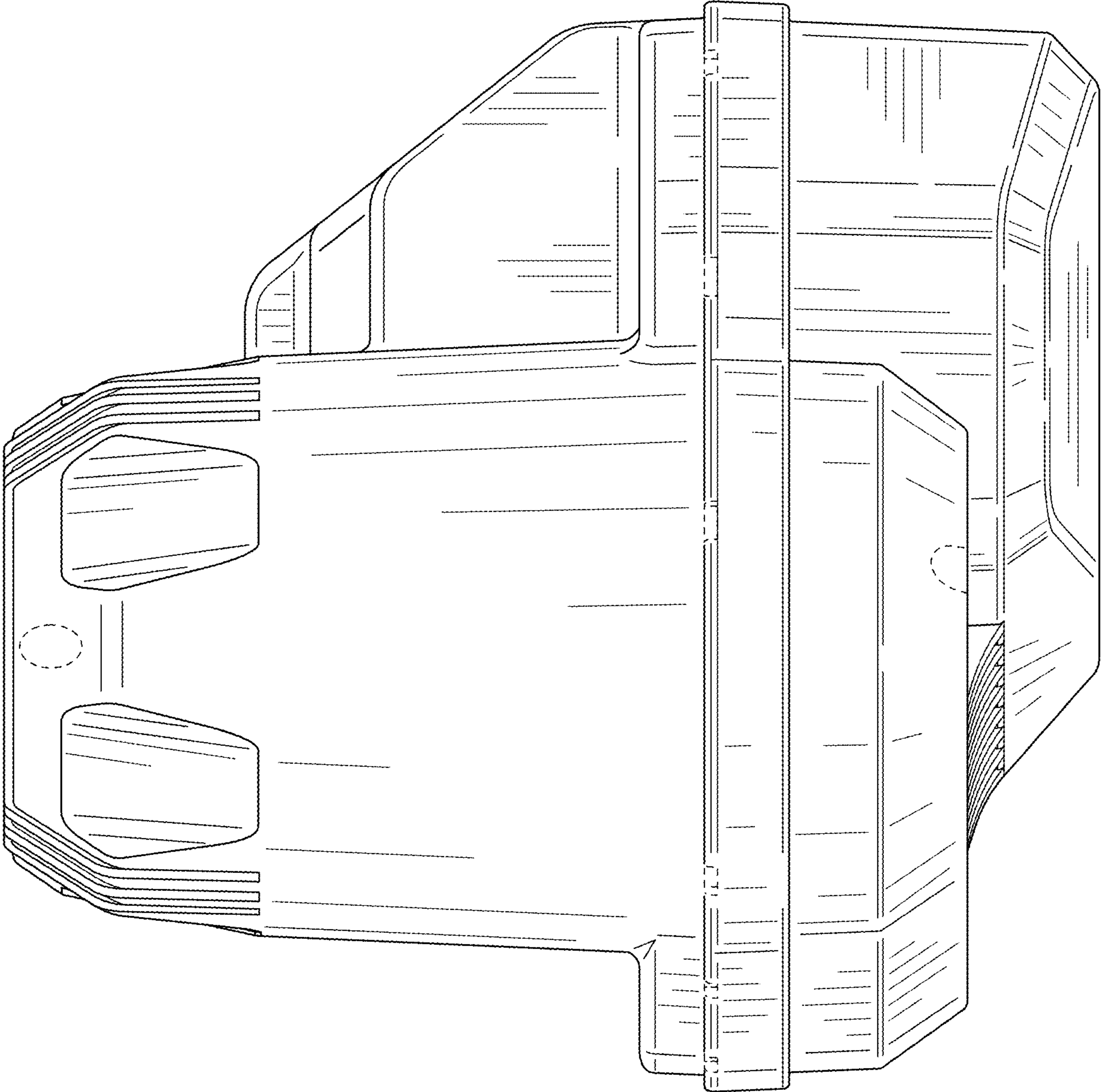


FIG. 6

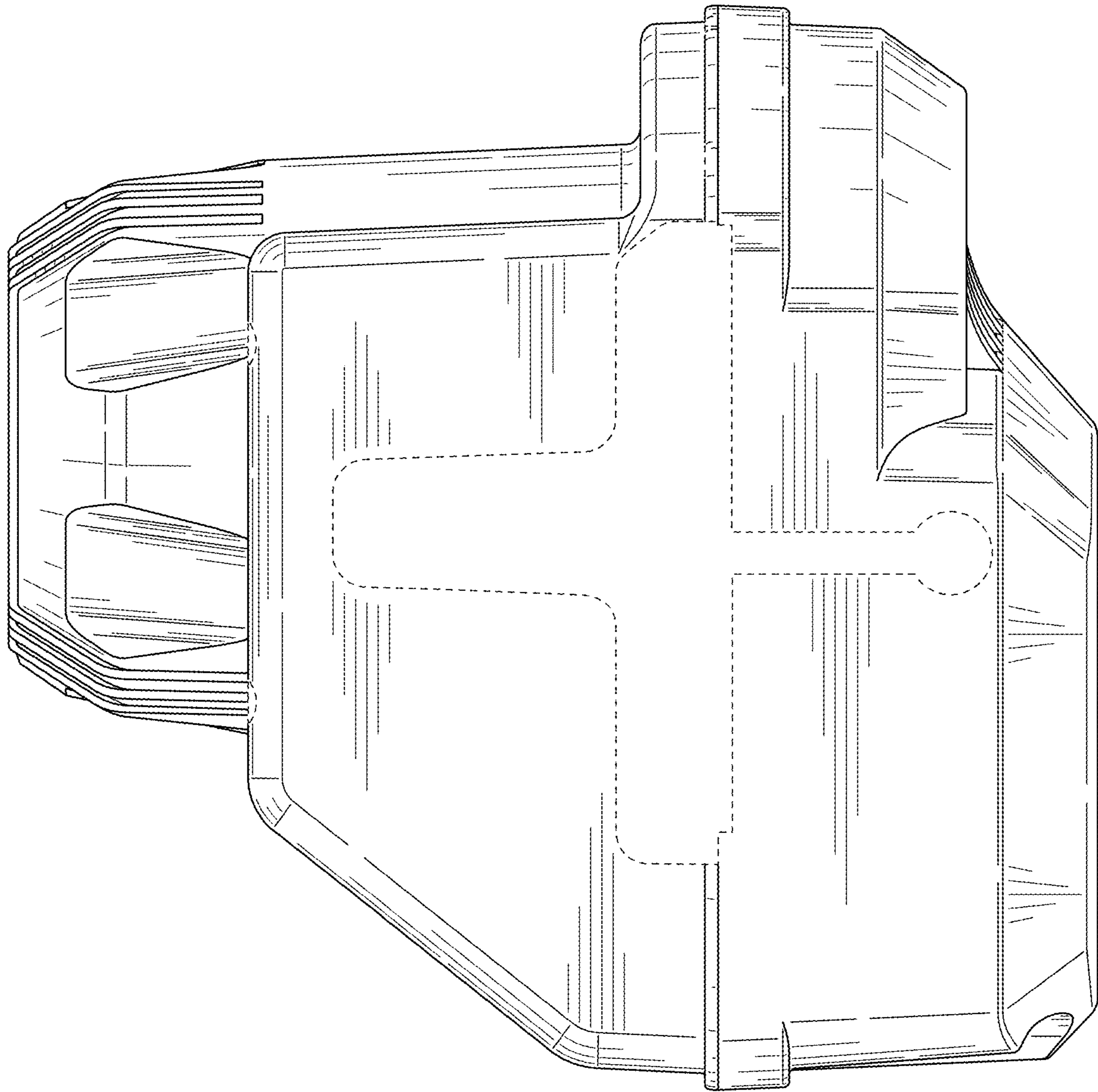


FIG. 7

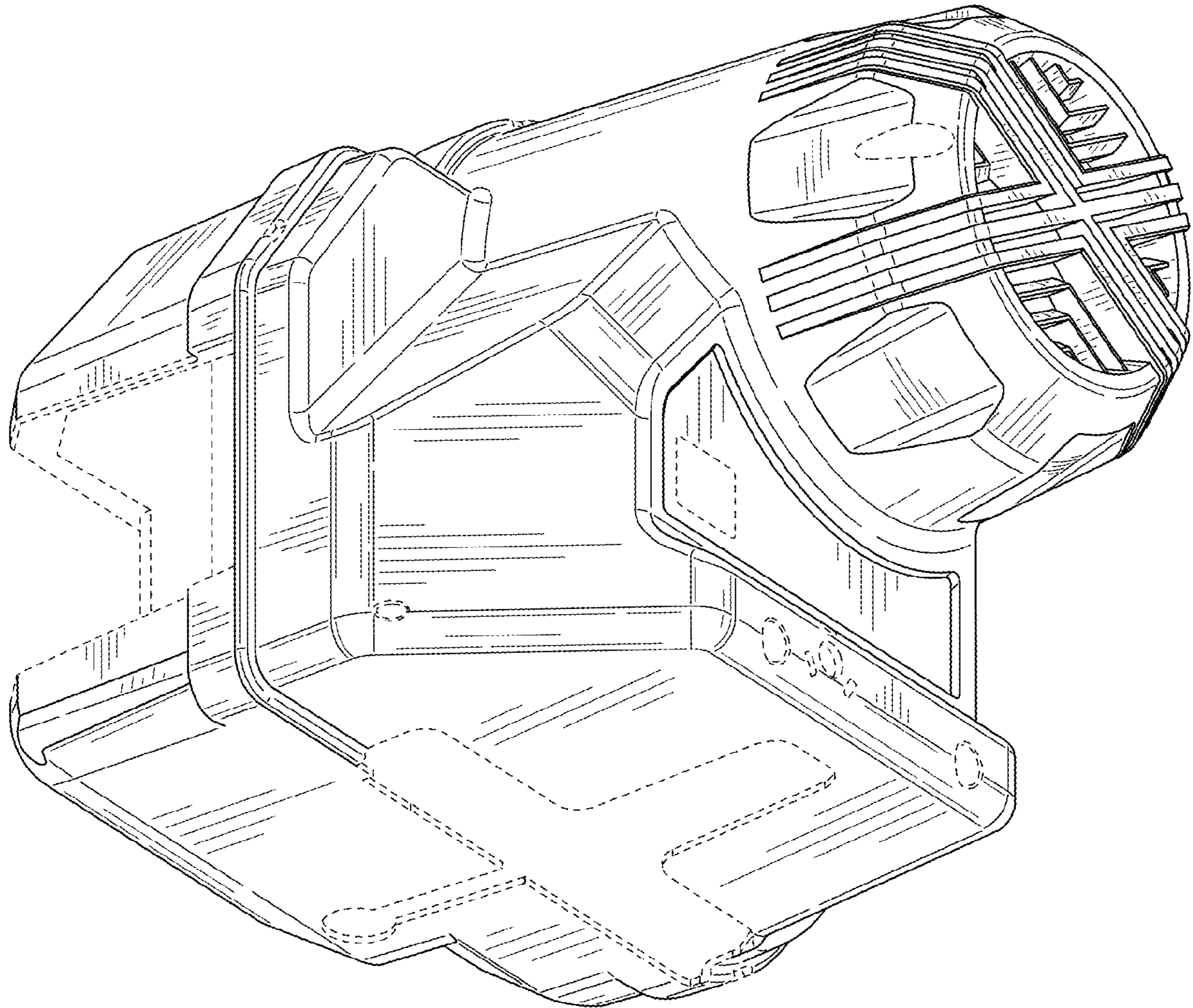


FIG. 8