



US00D917575S

(12) **United States Design Patent**  
**Zhang**

(10) **Patent No.:** **US D917,575 S**

(45) **Date of Patent:** **\*\* Apr. 27, 2021**

- (54) **HANDHELD TIRE INFLATOR**
- (71) Applicant: **Shenzhen Chenguo Technology Co., Ltd.**, Shenzhen (CN)
- (72) Inventor: **Chen Zhang**, Guangdong (CN)
- (\*\*) Term: **15 Years**
- (21) Appl. No.: **29/748,279**
- (22) Filed: **Aug. 28, 2020**
- (51) **LOC (13) Cl.** ..... **15-02**
- (52) **U.S. Cl.**  
USPC ..... **D15/7**
- (58) **Field of Classification Search**  
USPC ..... D15/7-9; D24/111; D13/107; D8/61, D8/68  
CPC ..... F04B 53/00; F04B 49/00; F04B 17/03; F04B 35/06; F04B 33/005; F04B 17/06; E03B 5/00; B25B 21/02; B60S 5/04; B60S 5/046; F04D 25/0673  
See application file for complete search history.

- D721,938 S \* 2/2015 Aoki ..... D8/68
- D774,862 S \* 12/2016 Naksen ..... D8/68
- D777,545 S \* 1/2017 Kosugi ..... D8/68
- D805,109 S \* 12/2017 Exley ..... D15/7
- D814,262 S \* 4/2018 Khubani ..... D8/68
- D817,364 S \* 5/2018 He ..... D15/7

(Continued)

**OTHER PUBLICATIONS**

AUTDER, Tire Inflator Air Compressor, Portable Car Air Pump with Digital Pressure Gauge, (first available Oct. 11, 2019) Amazon.com, URL:<<https://www.amazon.com/dp/B07XZ38HJC/>> (Year: 2019).\*

*Primary Examiner* — Sheryl Lane  
*Assistant Examiner* — Mark T. Philipps

(57) **CLAIM**

The ornamental design for a handheld tire inflator, as shown and described.

**DESCRIPTION**

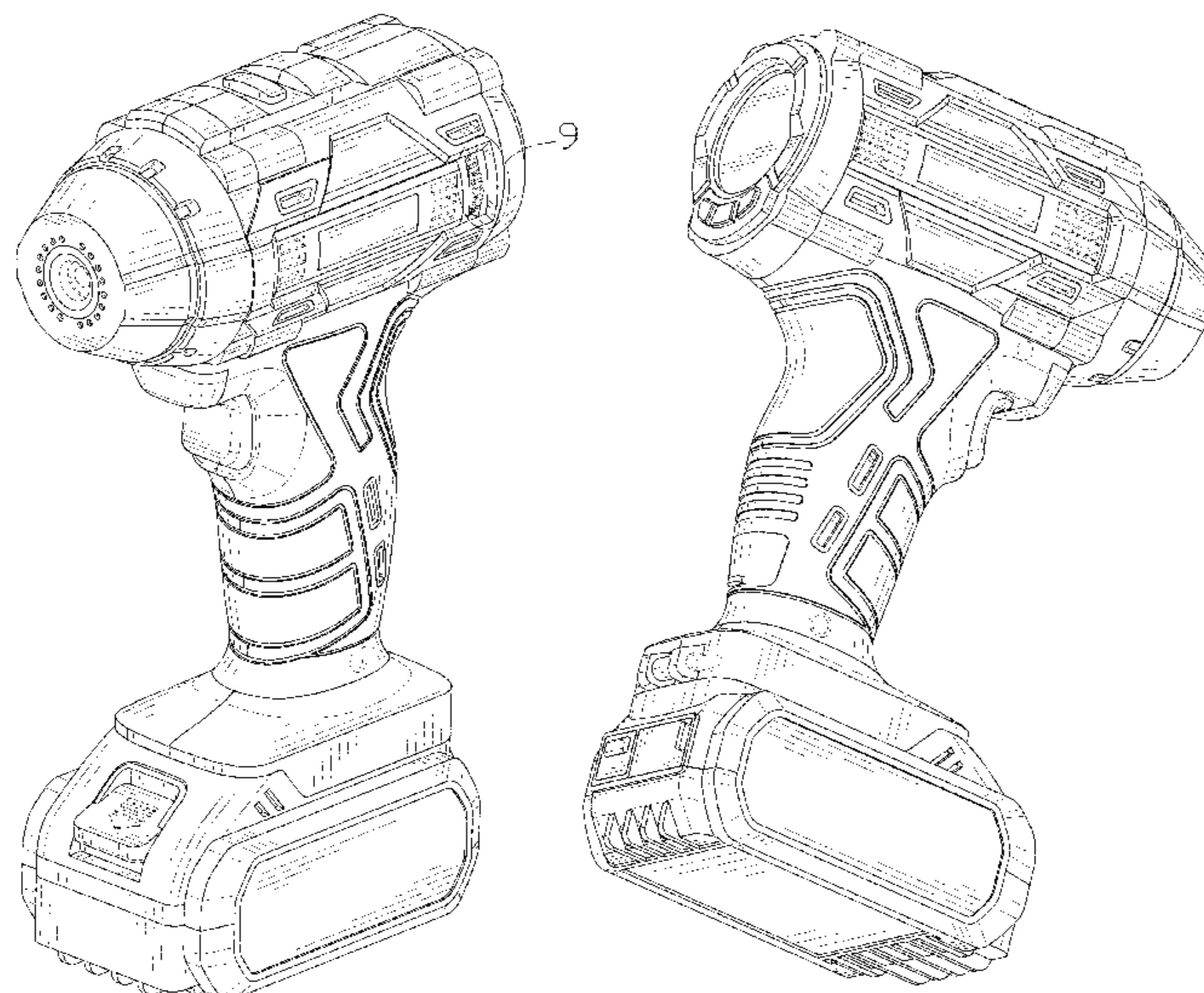
FIG. 1 is a front and bottom perspective view of a handheld tire inflator, showing my new design;  
 FIG. 2 is a rear and top perspective view thereof;  
 FIG. 3 is a front elevational view thereof;  
 FIG. 4 is a rear elevational view thereof;  
 FIG. 5 is a left side elevational view thereof;  
 FIG. 6 is a right side elevational view thereof;  
 FIG. 7 is a top plan view thereof;  
 FIG. 8 is a bottom plan view thereof; and,  
 FIG. 9 is an enlarged view of a portion indicated with numeric 9 in FIG. 1.

The dash dot dash lines in FIGS. 1 and 9 are for the purpose of depicting the cut line of the enlarged view and form no part of the claim. The dashed broken lines in the figures illustrate portions of the handheld tire inflator that form no part of the claimed design.

**1 Claim, 9 Drawing Sheets**

(56) **References Cited**  
U.S. PATENT DOCUMENTS

- D323,276 S \* 1/1992 Fushiya ..... D8/68
- D339,046 S \* 9/1993 Fushiya ..... D8/68
- D462,592 S \* 9/2002 Cooper ..... D8/68
- D462,594 S \* 9/2002 Flickinger ..... D8/68
- D464,976 S \* 10/2002 Krieger ..... D15/9
- D484,384 S \* 12/2003 Ghode ..... D8/68
- D510,939 S \* 10/2005 Nikolayev ..... D15/9
- D515,378 S \* 2/2006 Wu ..... D8/68
- D585,716 S \* 2/2009 Taniguchi ..... D8/68
- D610,421 S \* 2/2010 Taniguchi ..... D8/68
- 8,113,297 B2 \* 2/2012 Sakakibara ..... B25F 5/02  
173/170
- D678,024 S \* 3/2013 Taniguchi ..... D8/68
- D679,160 S \* 4/2013 Okuda ..... D8/68
- D679,161 S \* 4/2013 Kawase ..... D8/68
- D694,268 S 11/2013 Ohm
- 8,910,728 B2 \* 12/2014 Okuda ..... B25F 5/02  
173/93.5



(56)

**References Cited**

U.S. PATENT DOCUMENTS

D826,669 S \* 8/2018 Kosugi ..... D8/68  
D839,069 S \* 1/2019 Koeniger ..... D8/68  
D871,183 S \* 12/2019 Imsand ..... B25F 5/005  
D882,365 S \* 4/2020 Xu ..... D8/68  
2005/0121209 A1 \* 6/2005 Shimizu ..... B25B 21/00  
173/217  
2011/0220377 A1 \* 9/2011 Roehm ..... B25F 5/001  
173/47  
2018/0215029 A1 \* 8/2018 Steckel ..... B25F 5/00  
2019/0354085 A1 \* 11/2019 Linehan ..... B25B 23/1425

\* cited by examiner

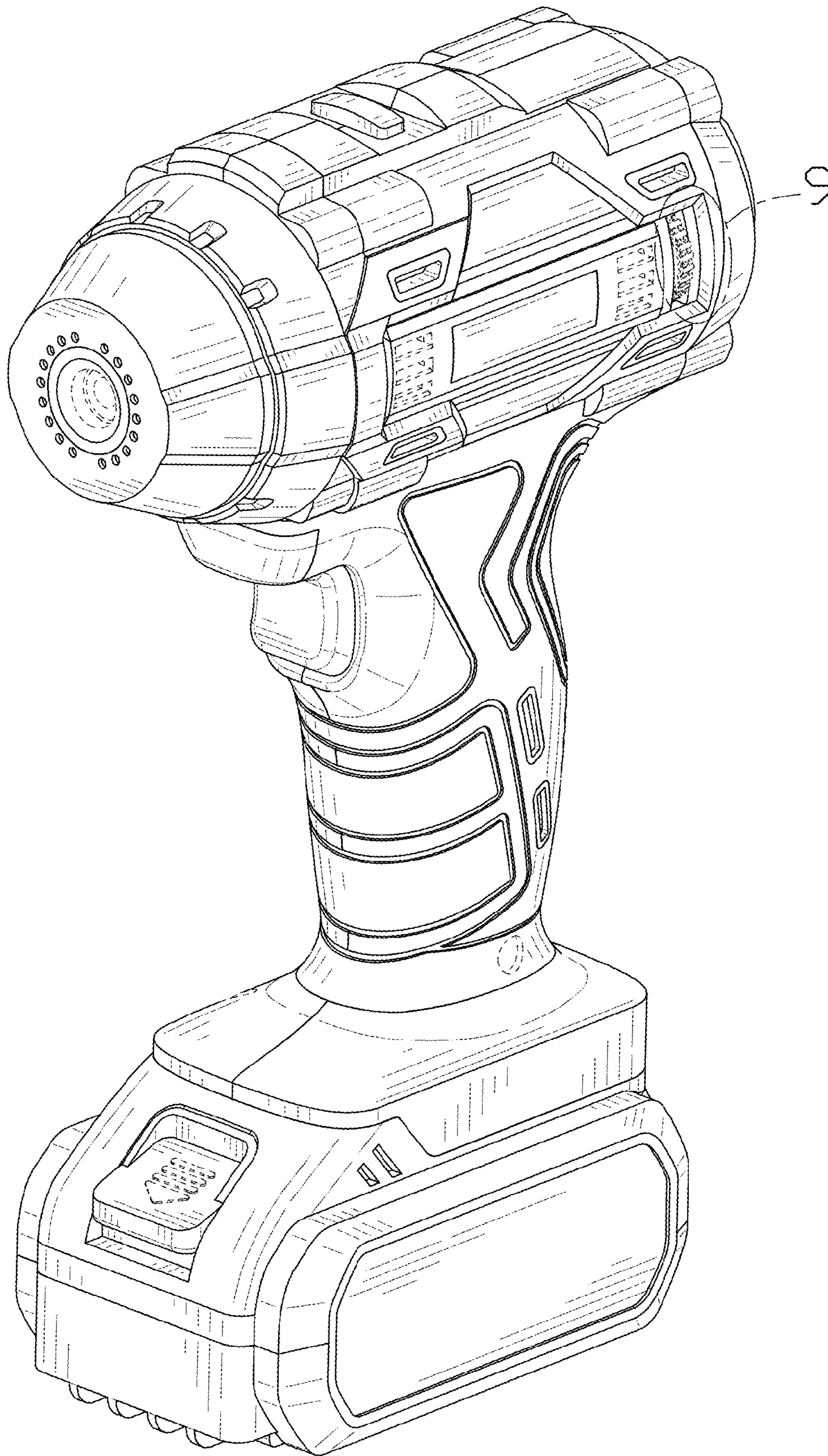


FIG. 1

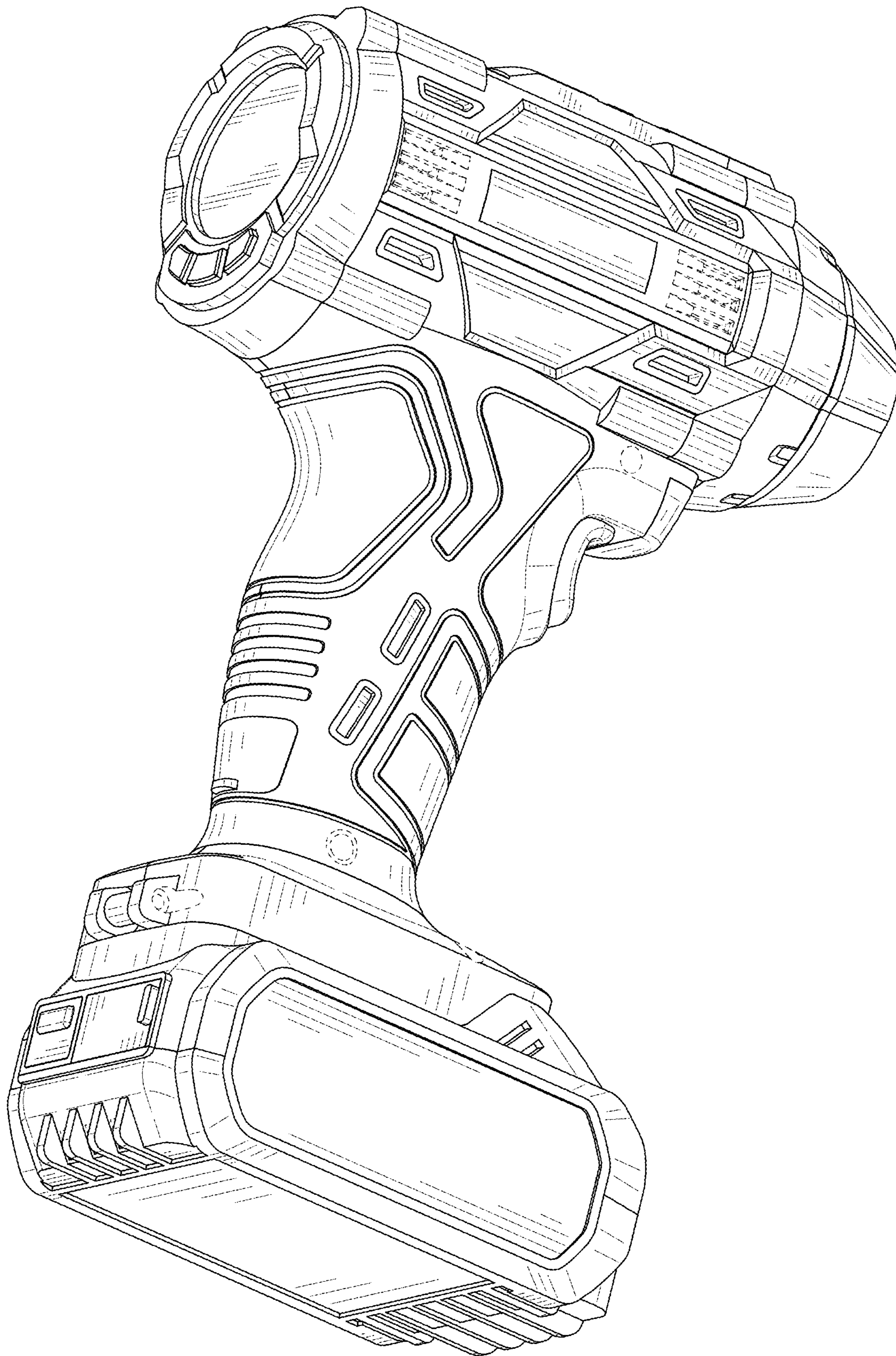


FIG. 2

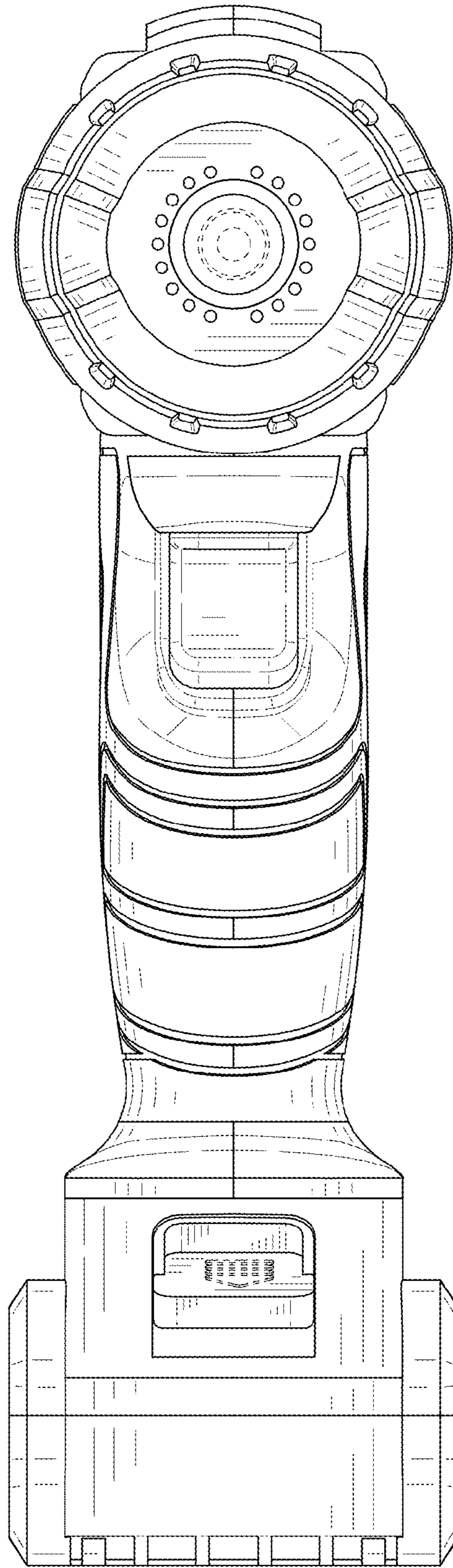


FIG. 3

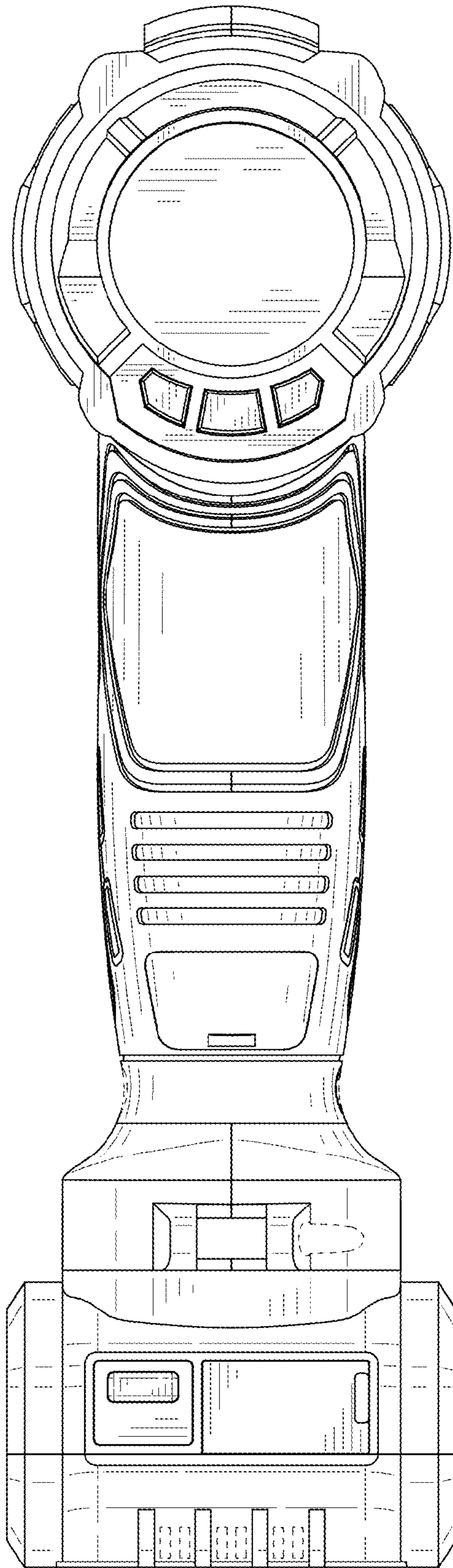


FIG. 4

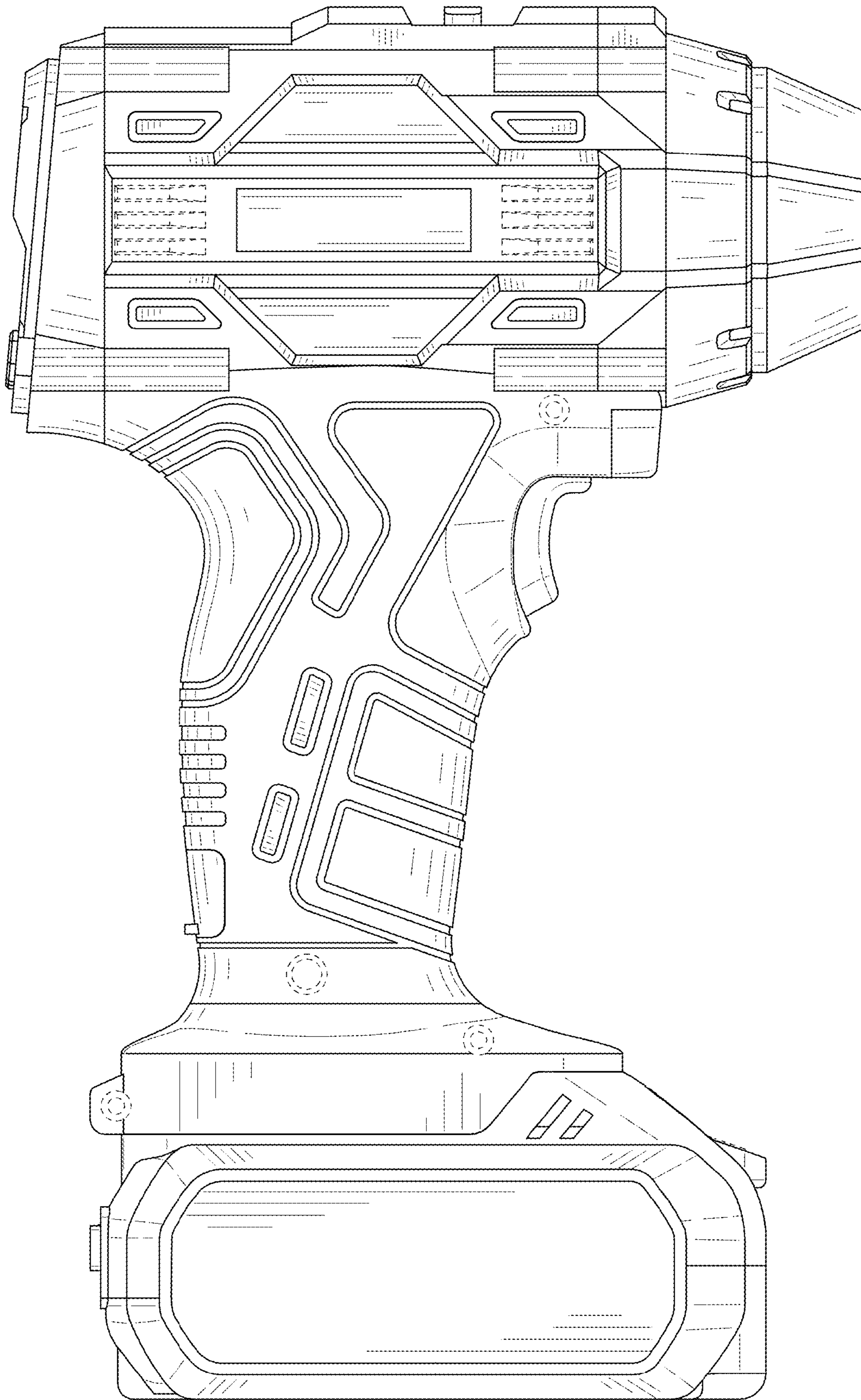


FIG. 5

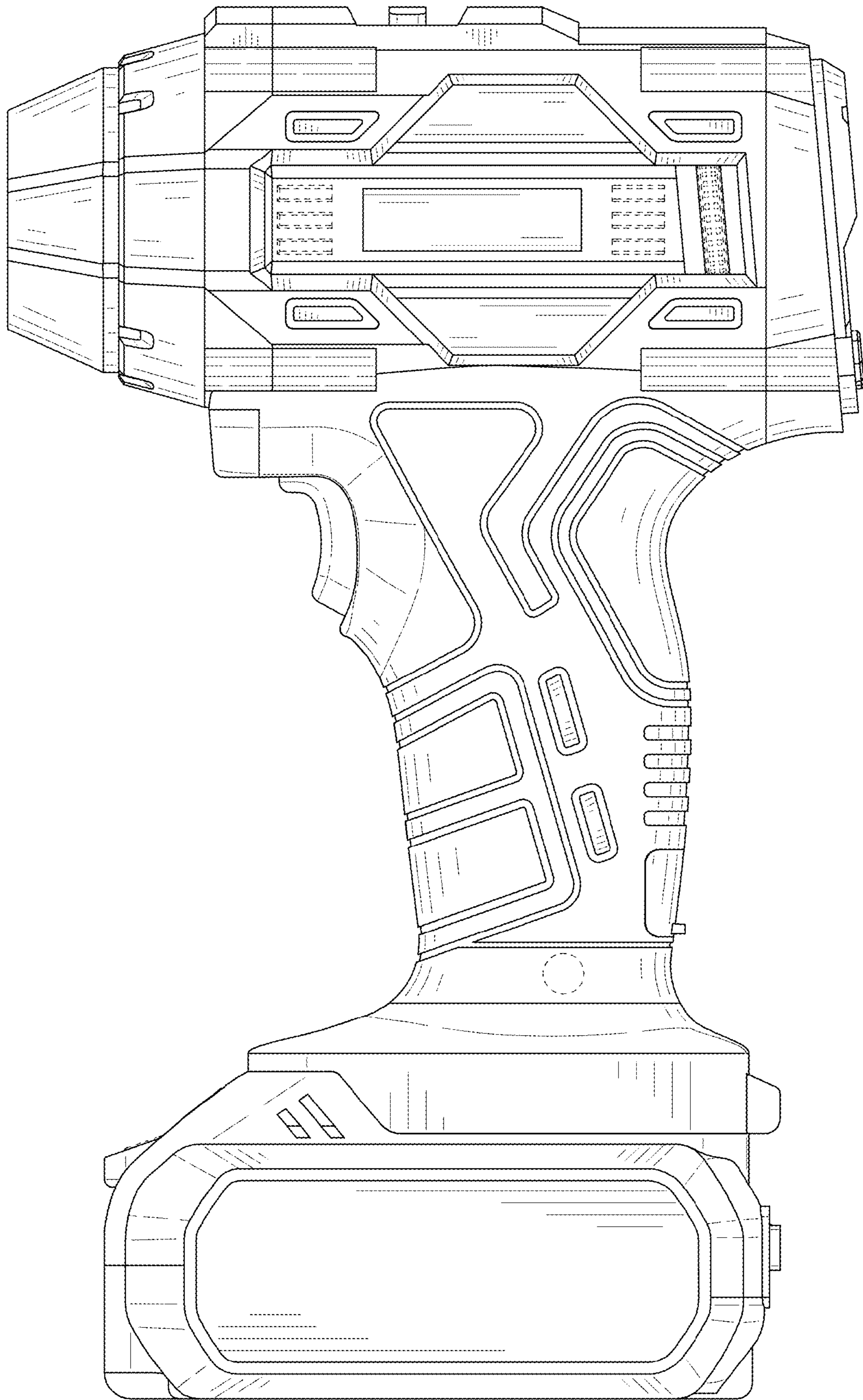


FIG. 6



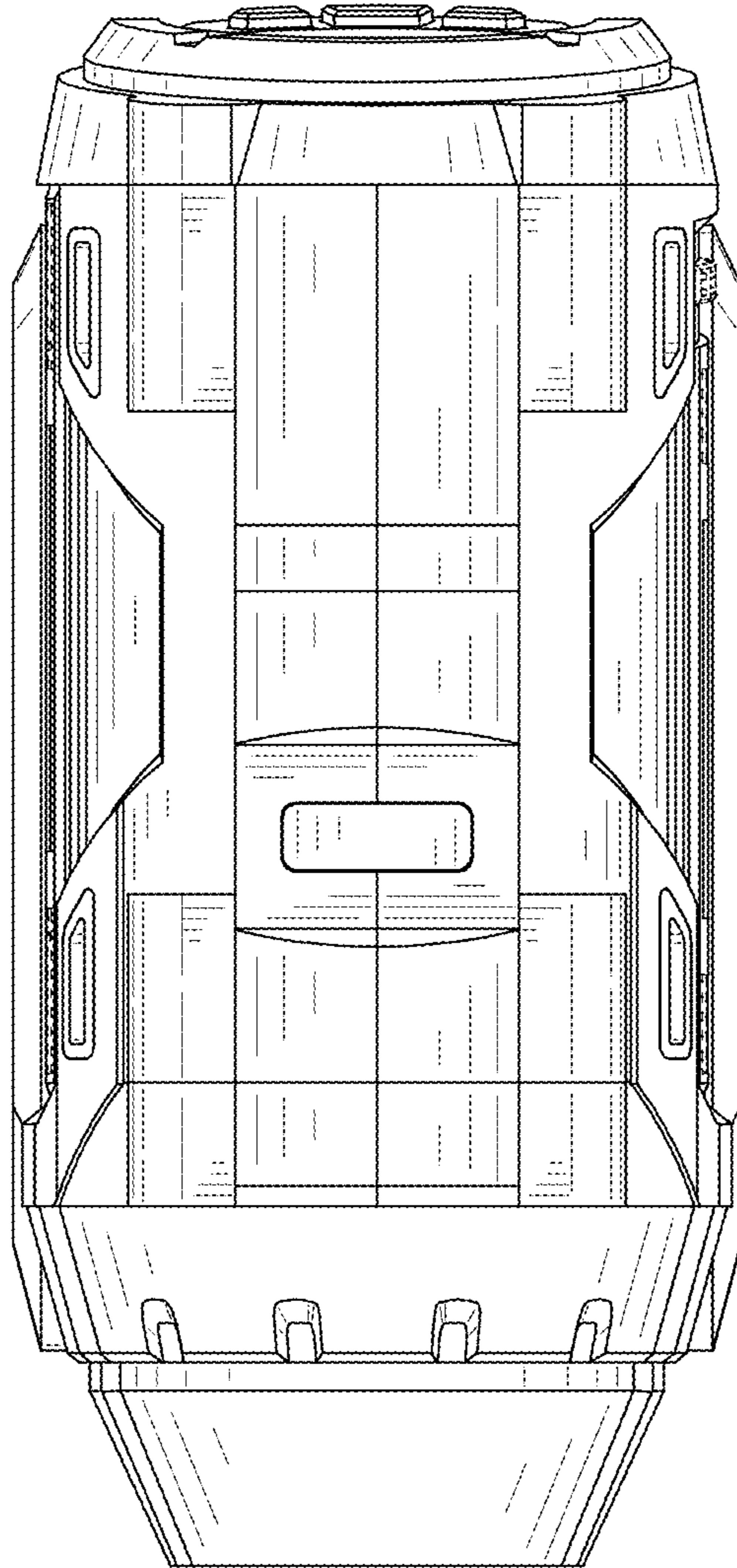


FIG. 7

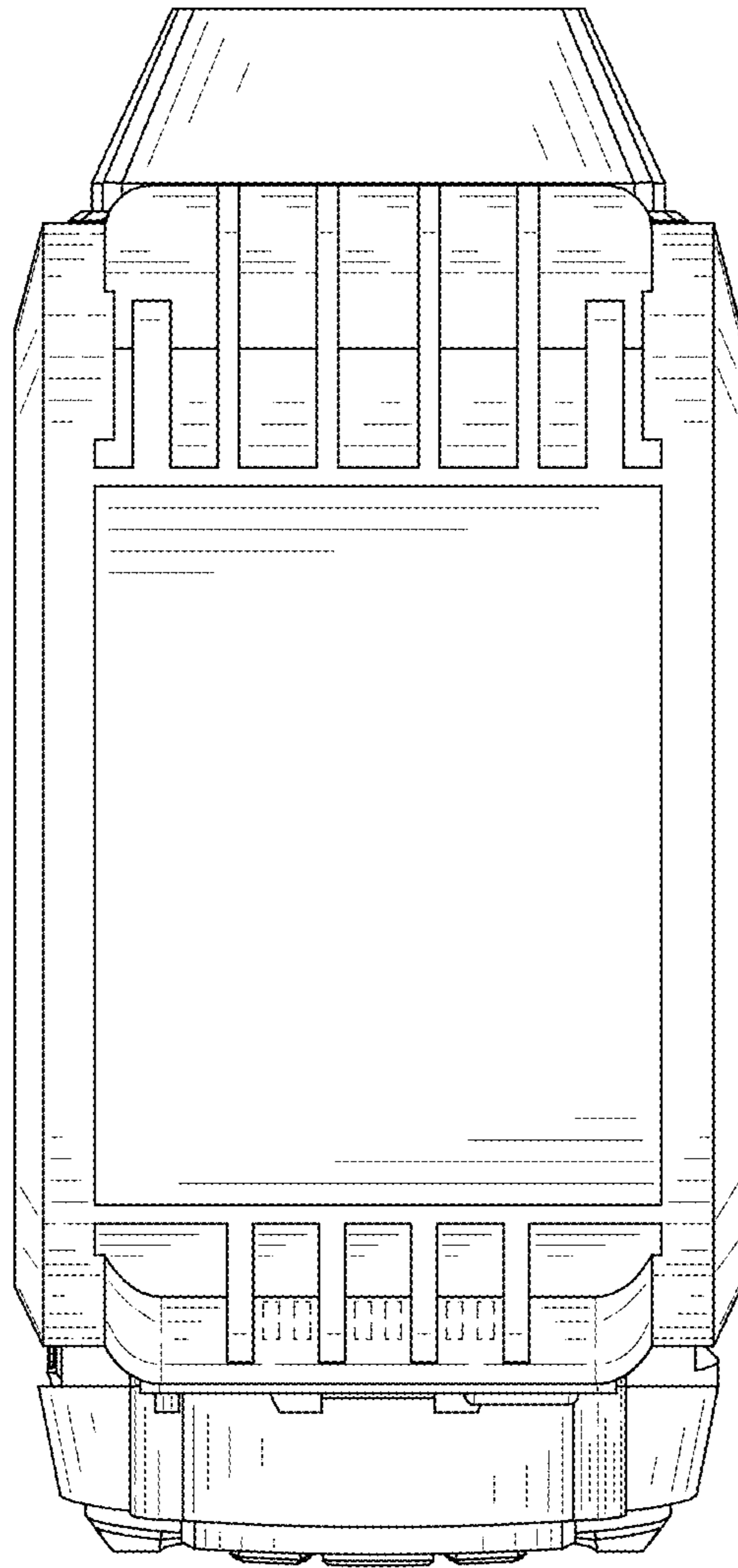


FIG. 8

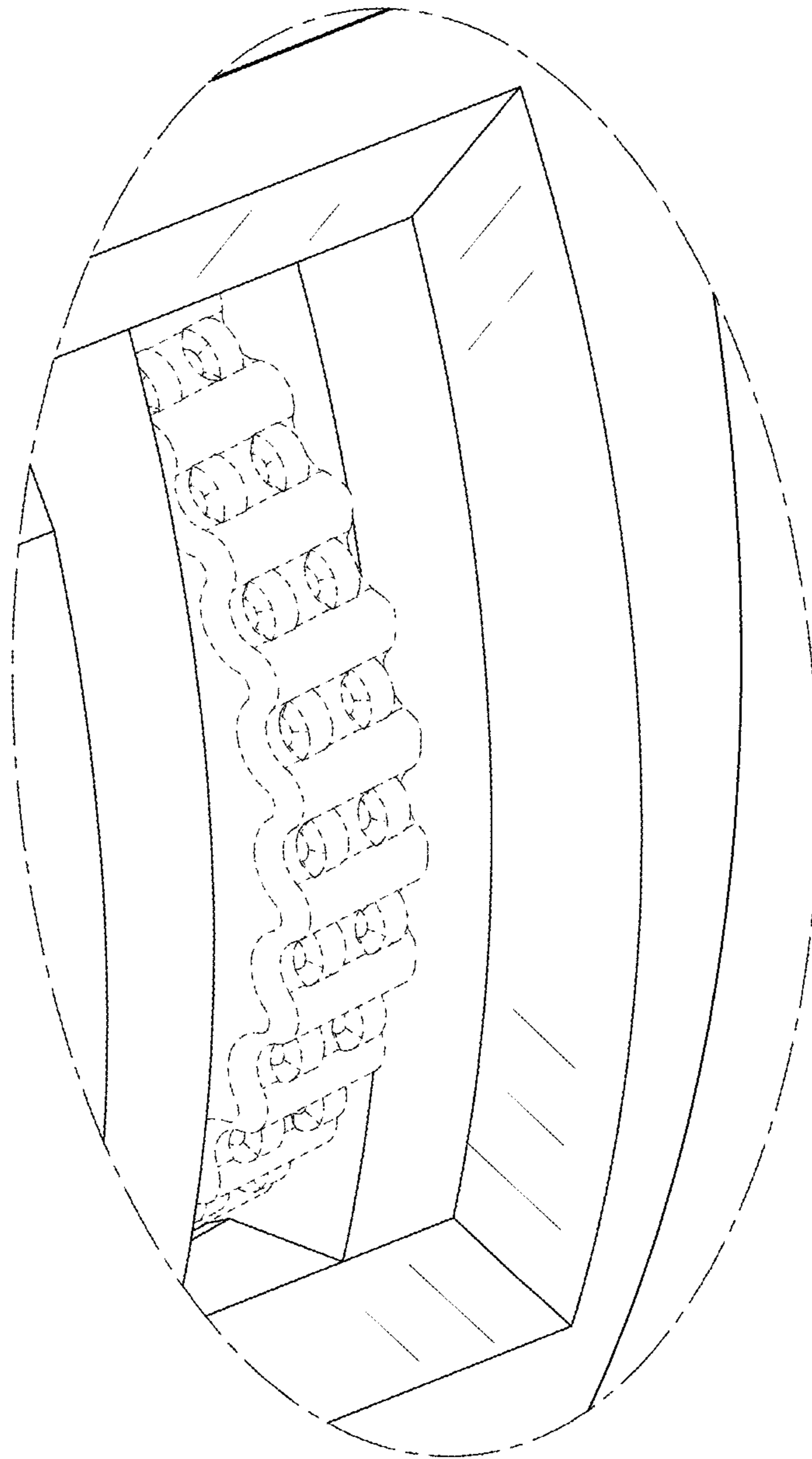


FIG. 9