



US00D917574S

(12) **United States Design Patent** (10) **Patent No.:** **US D917,574 S**
Nagai (45) **Date of Patent:** **** Apr. 27, 2021**

(54) **FLUID PRESSURE CYLINDER**

(71) Applicant: **SMC CORPORATION**, Tokyo (JP)
(72) Inventor: **Hirotsugu Nagai**, Tsukubamirai (JP)
(73) Assignee: **SMC CORPORATION**, Tokyo (JP)
(**) Term: **15 Years**

(21) Appl. No.: **29/736,949**

(22) Filed: **Jun. 4, 2020**

Related U.S. Application Data

(62) Division of application No. 29/637,566, filed on Feb. 20, 2018, now Pat. No. Des. 894,965.

(30) **Foreign Application Priority Data**

Aug. 21, 2017 (CN) 201730386741.2

(51) **LOC (13) Cl.** **15-03**

(52) **U.S. Cl.**
USPC **D15/7**

(58) **Field of Classification Search**
USPC D15/7-9; D23/231, 232, 225, 233
CPC F02M 37/04; F02M 31/14; F04D 29/4286
See application file for complete search history.

(56) **References Cited**

U.S. PATENT DOCUMENTS

D370,683 S *	6/1996	Stahlman	D15/7
D575,176 S	8/2008	Suzuki		
D575,177 S	8/2008	Suzuki		
D682,901 S *	5/2013	Peschel	D15/143
D704,238 S *	5/2014	Fukano	D15/143
D757,120 S *	5/2016	Kudo	D15/7
D772,302 S *	11/2016	Kudo	D15/7

(Continued)

FOREIGN PATENT DOCUMENTS

JP	847740 S	9/1992
JP	1319948 S	1/2008
JP	1320362 S	1/2008

OTHER PUBLICATIONS

U.S. Appl. No. 29/637,566, filed Feb. 20, 2018.

Primary Examiner — Khawaja Anwar

(74) *Attorney, Agent, or Firm* — Birch, Stewart, Kolasch & Birch, LLP

(57) **CLAIM**

The ornamental design for a fluid pressure cylinder, as shown and described.

DESCRIPTION

FIG. 1 is a front, top and left side perspective view of a fluid pressure cylinder showing a first embodiment of my new design;

FIG. 2 is a rear, bottom and right side perspective view thereof;

FIG. 3 is a front view thereof;

FIG. 4 is a rear view thereof;

FIG. 5 is a top plan view thereof;

FIG. 6 is a bottom plan view thereof;

FIG. 7 is a left side view thereof;

FIG. 8 is a right side view thereof;

FIG. 9 is a front, top and left side perspective view of a fluid pressure cylinder showing a second embodiment of my new design;

FIG. 10 is a rear, bottom and right side perspective view of FIG. 9;

FIG. 11 is a front view of FIG. 9;

FIG. 12 is a rear view of FIG. 9;

FIG. 13 is a top plan view of FIG. 9;

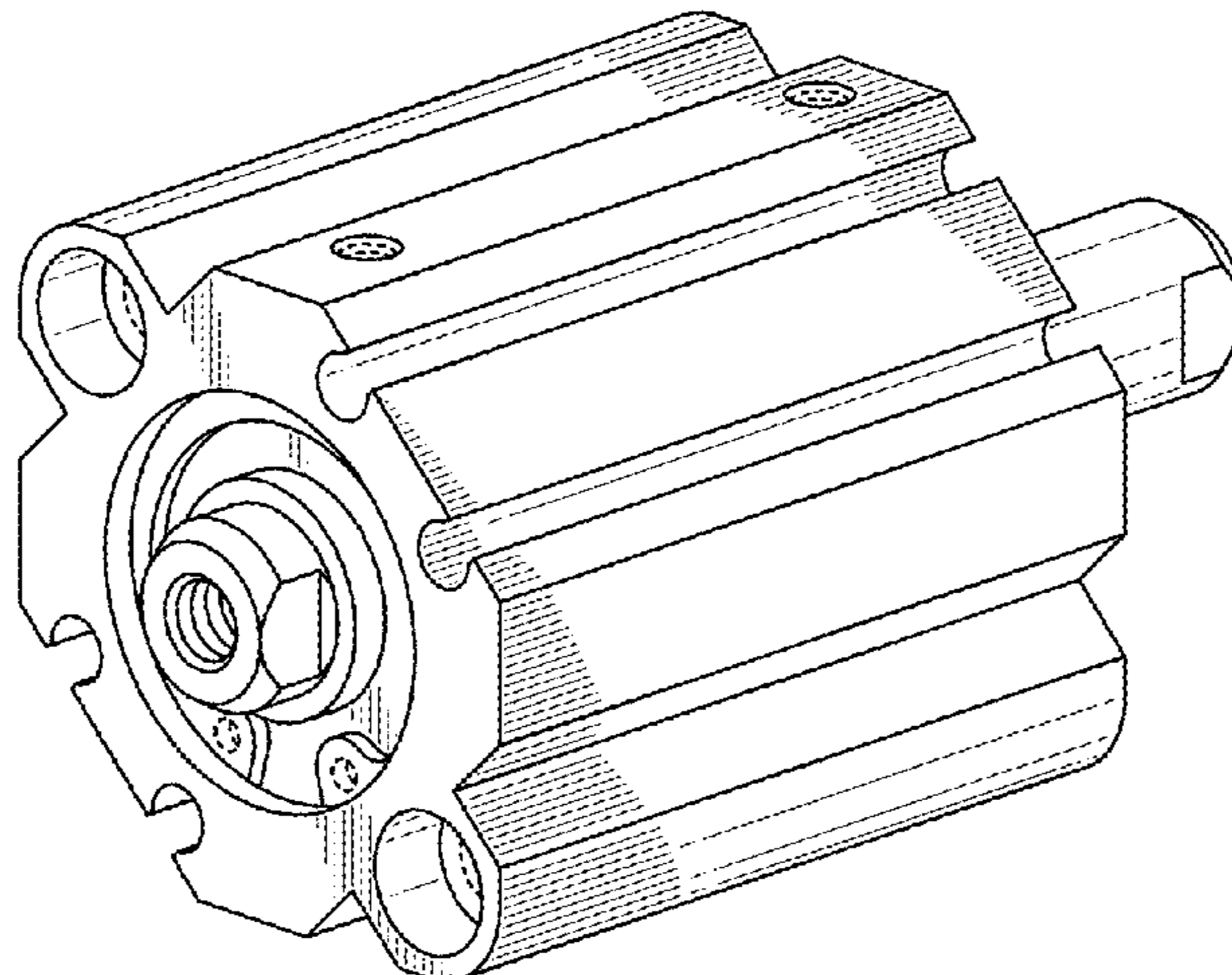
FIG. 14 is a bottom plan view of FIG. 9;

FIG. 15 is a left side view of FIG. 9; and,

FIG. 16 is a right side view of FIG. 9.

The broken lines depict portions of the fluid pressure cylinder that form no part of the claimed design.

1 Claim, 16 Drawing Sheets



(56)

References Cited

U.S. PATENT DOCUMENTS

D780,228	S	*	2/2017	Kudo	D15/7
D780,229	S	*	2/2017	Kudo	D15/7
D805,559	S	*	12/2017	Kudo	D15/7
D805,560	S	*	12/2017	Kudo	D15/7
D825,616	S	*	8/2018	Monden	D15/9
D894,965	S	*	9/2020	Nagai	D15/7
D900,879	S	*	11/2020	Nemoto	D15/7
D900,880	S	*	11/2020	Nemoto	D15/7
D908,737	S	*	1/2021	Nemoto	D15/7
D909,418	S	*	2/2021	Nemoto	D15/7
D909,419	S	*	2/2021	Nemoto	D15/7
D909,420	S	*	2/2021	Nemoto	D15/7

* cited by examiner

FIG. 1

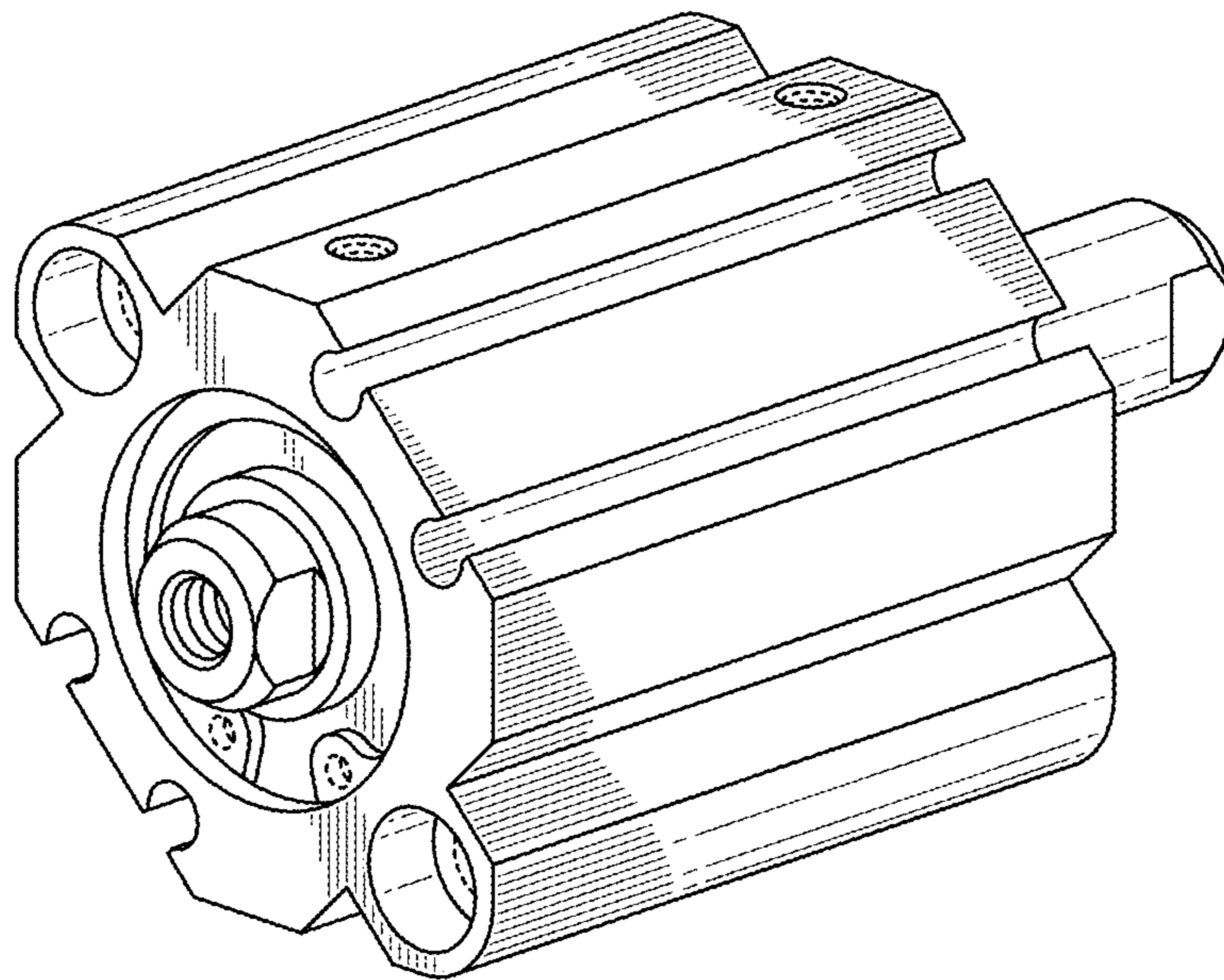


FIG. 2

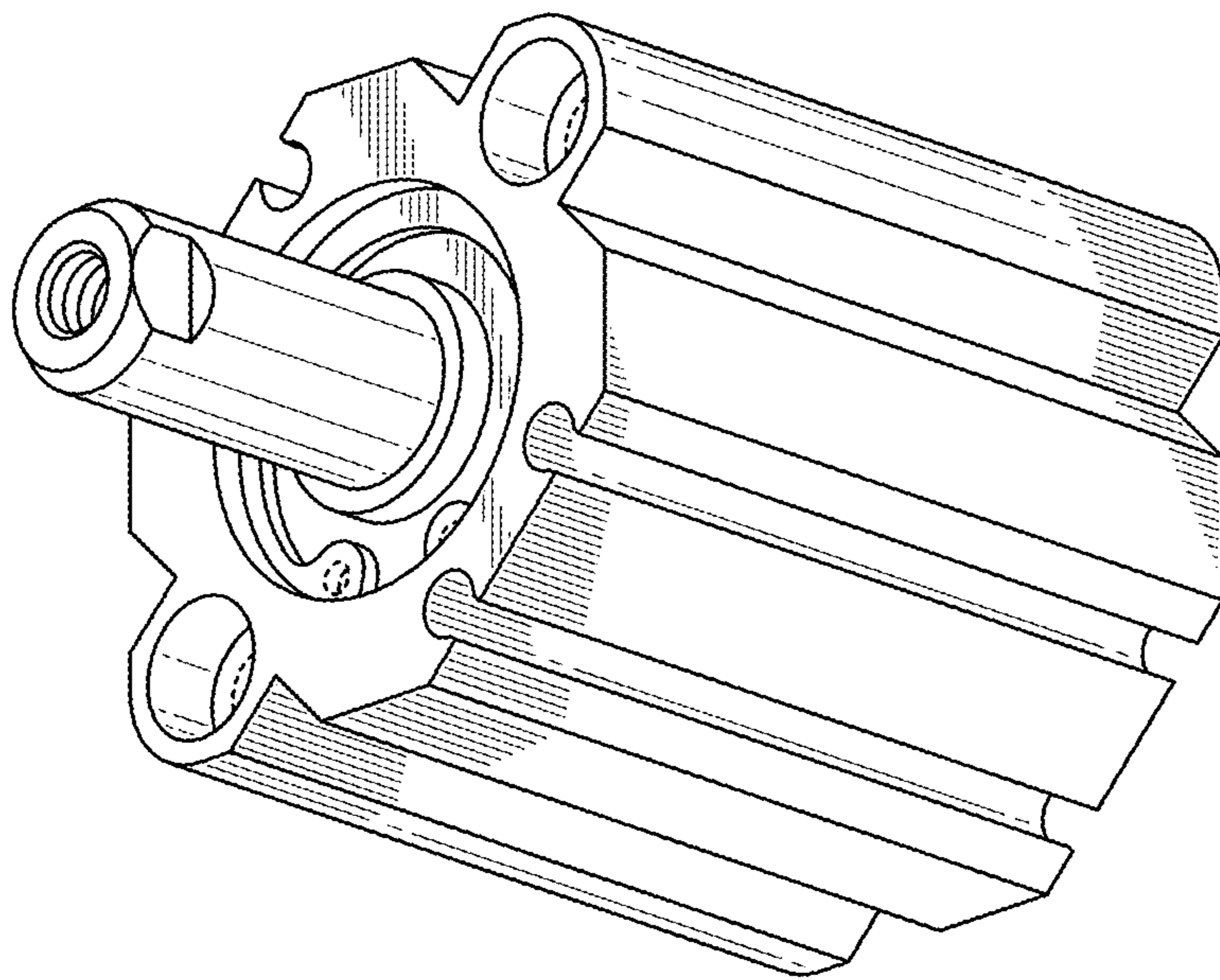


FIG. 3

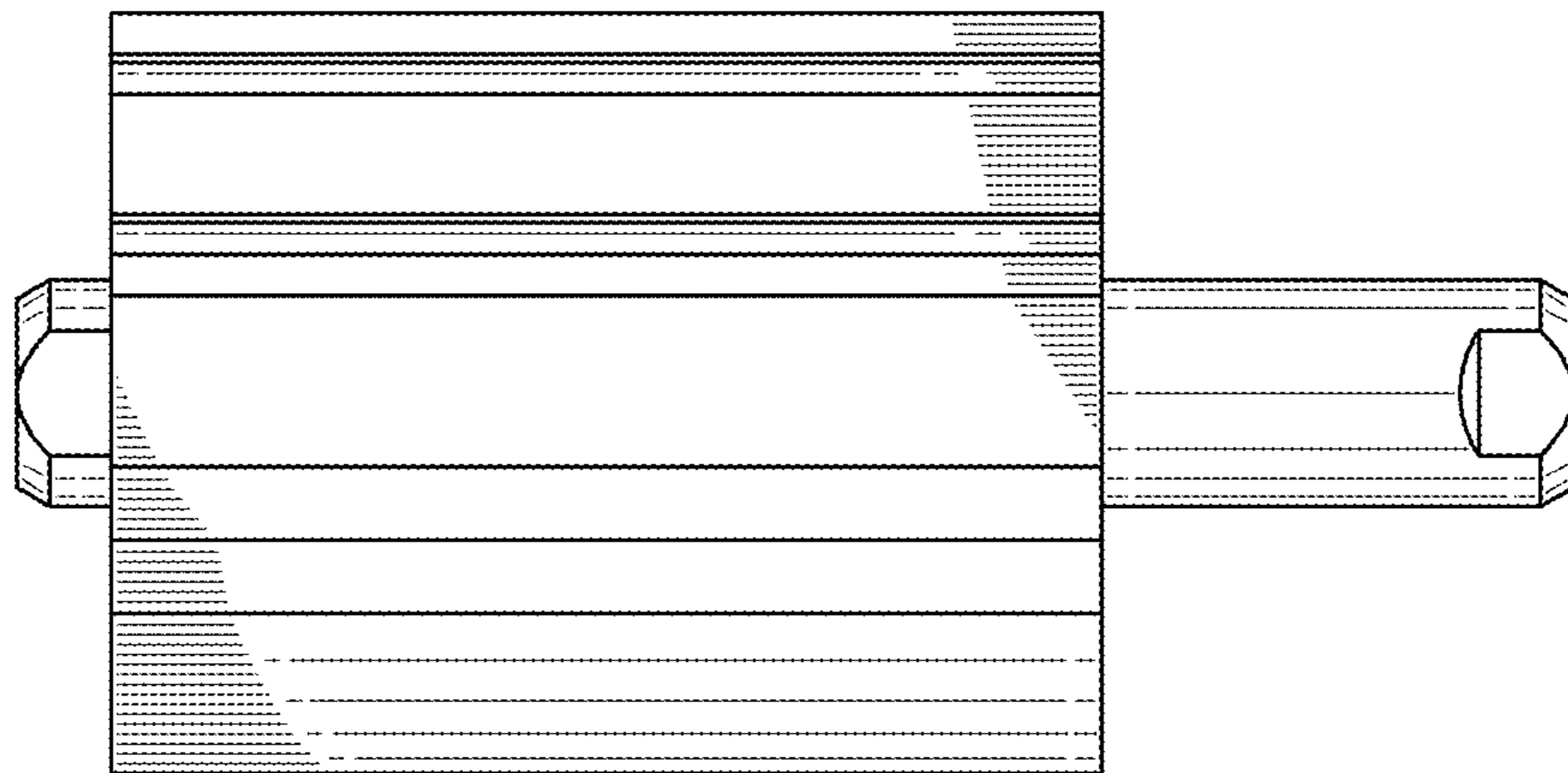


FIG. 4

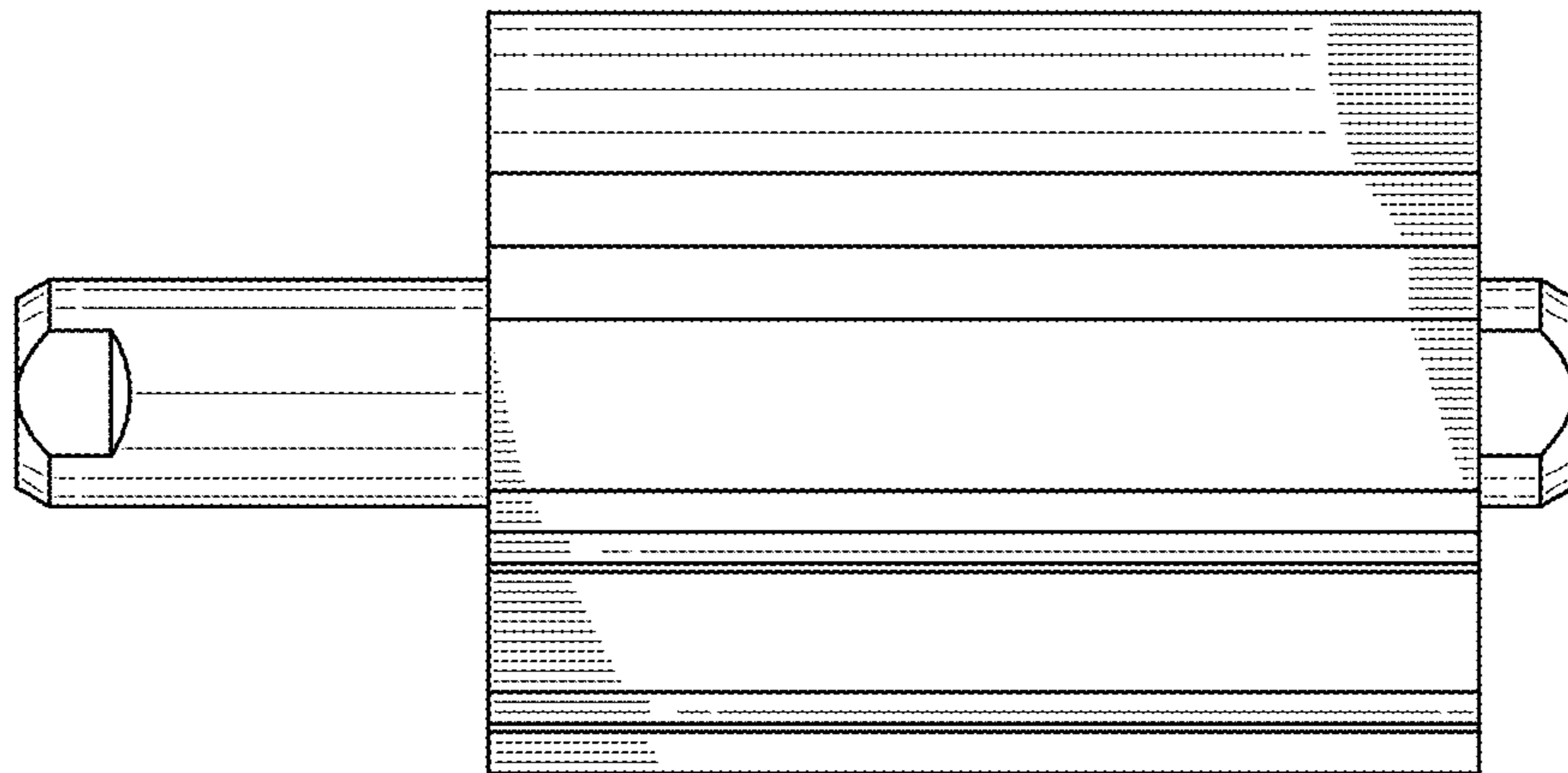


FIG. 5

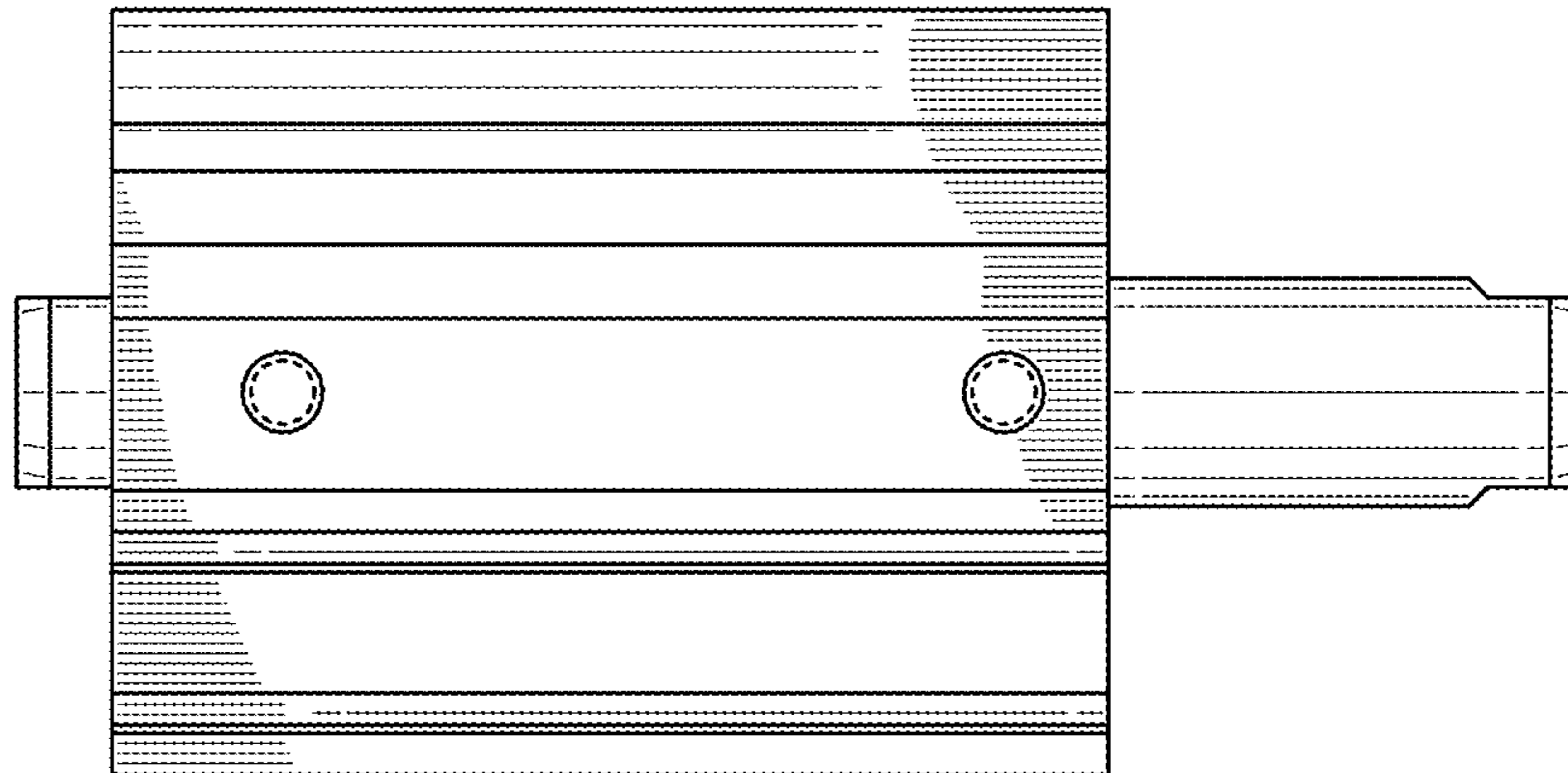


FIG. 6

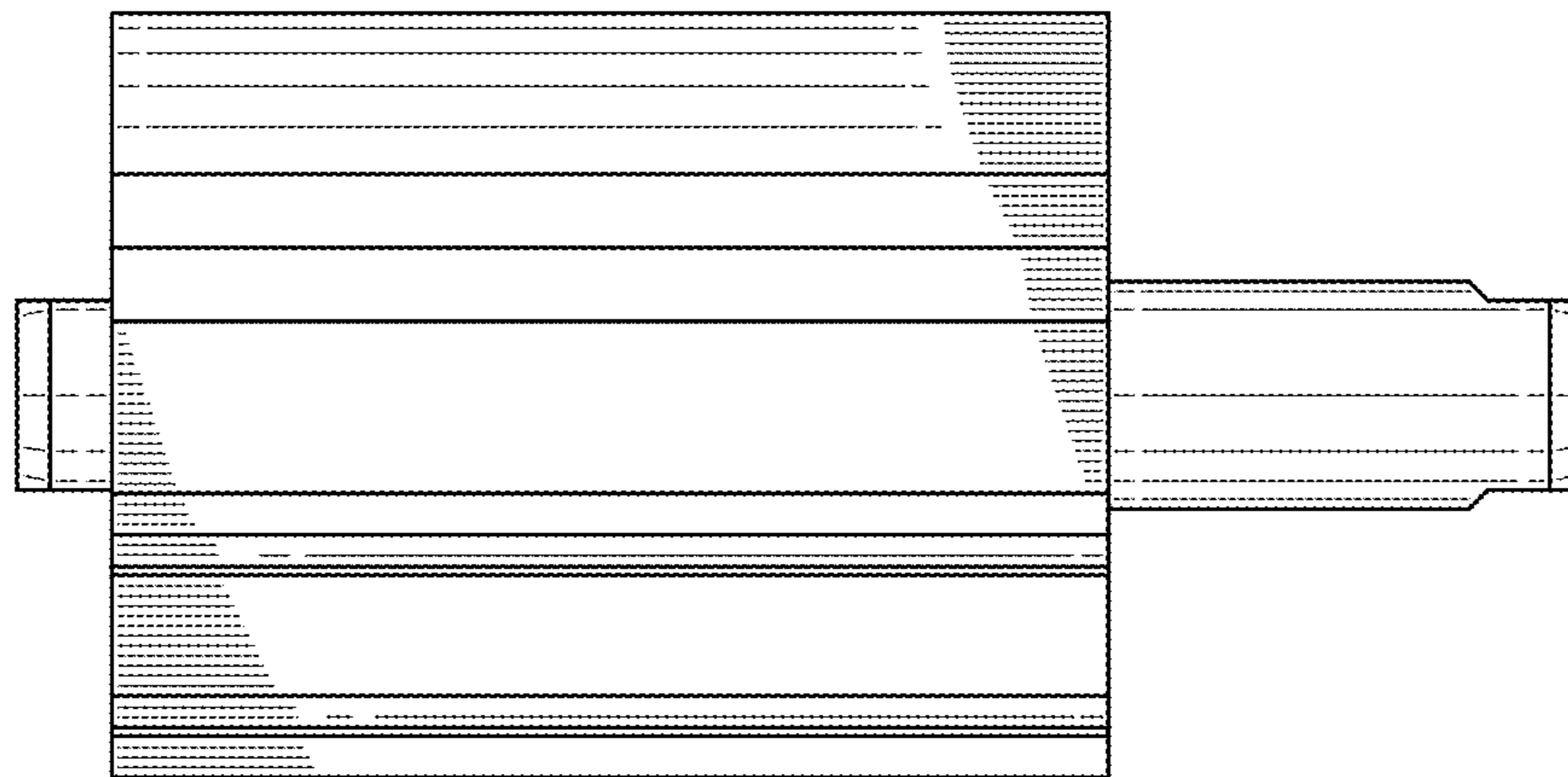


FIG. 7

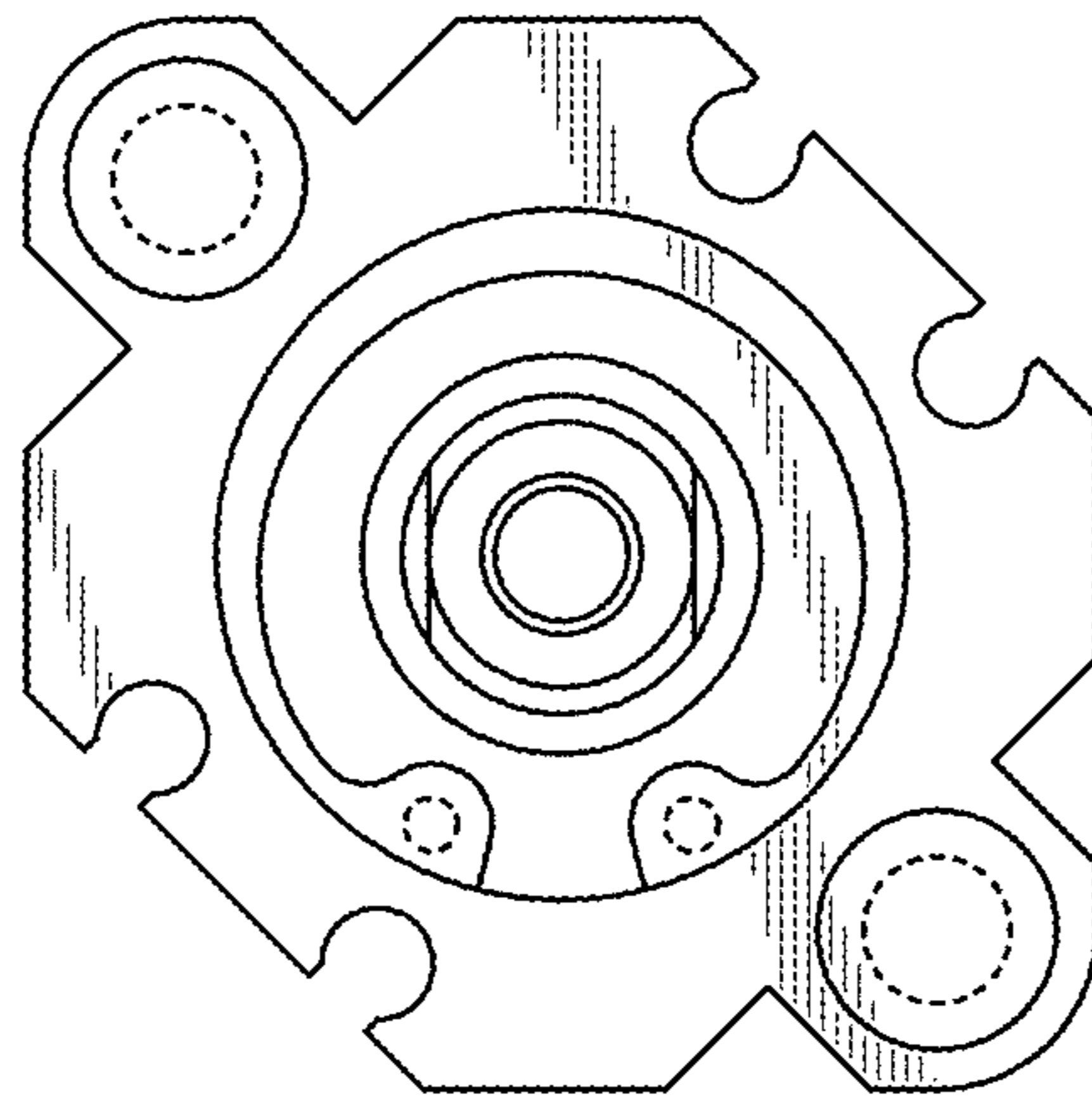


FIG. 8

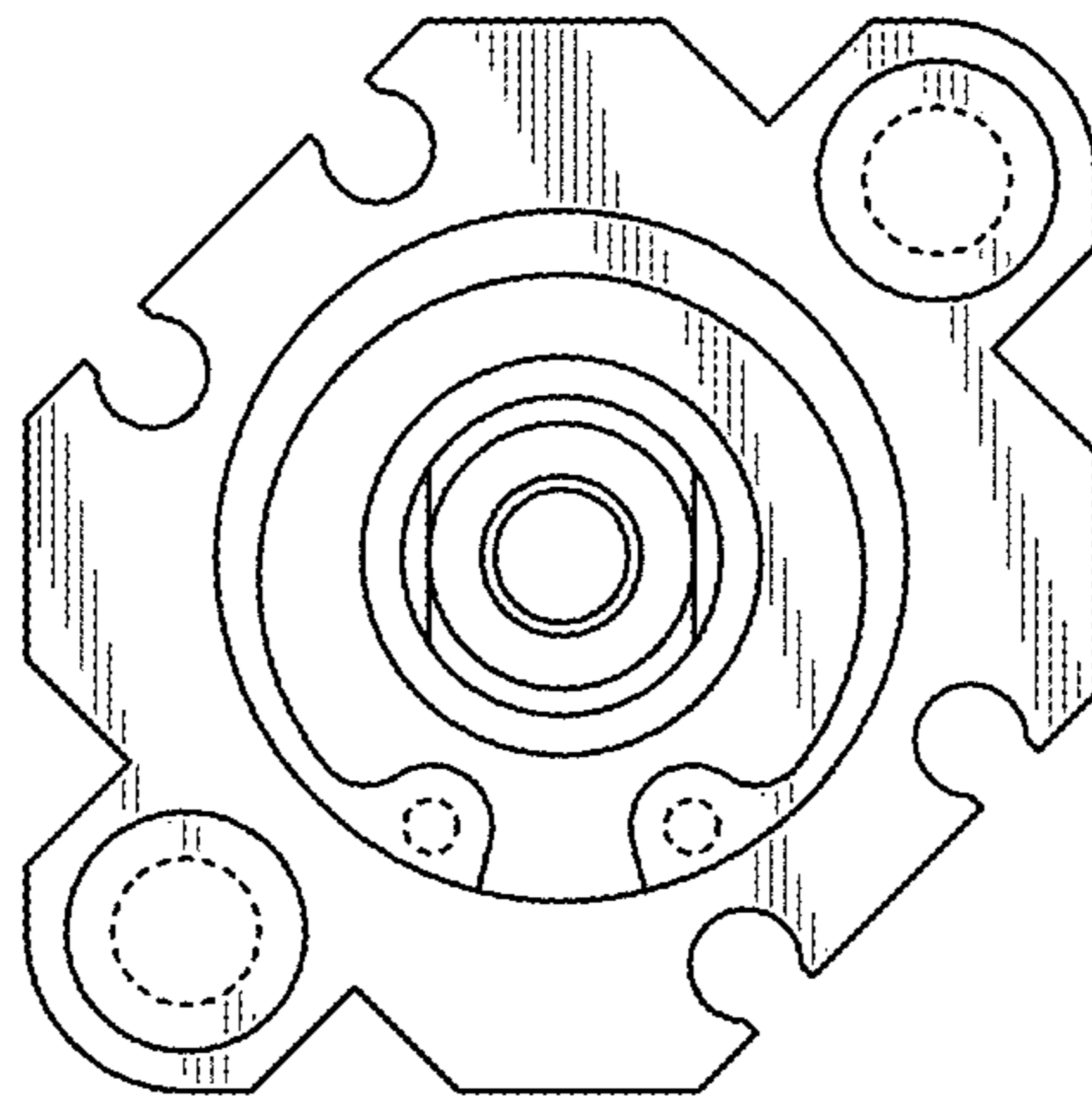


FIG. 9

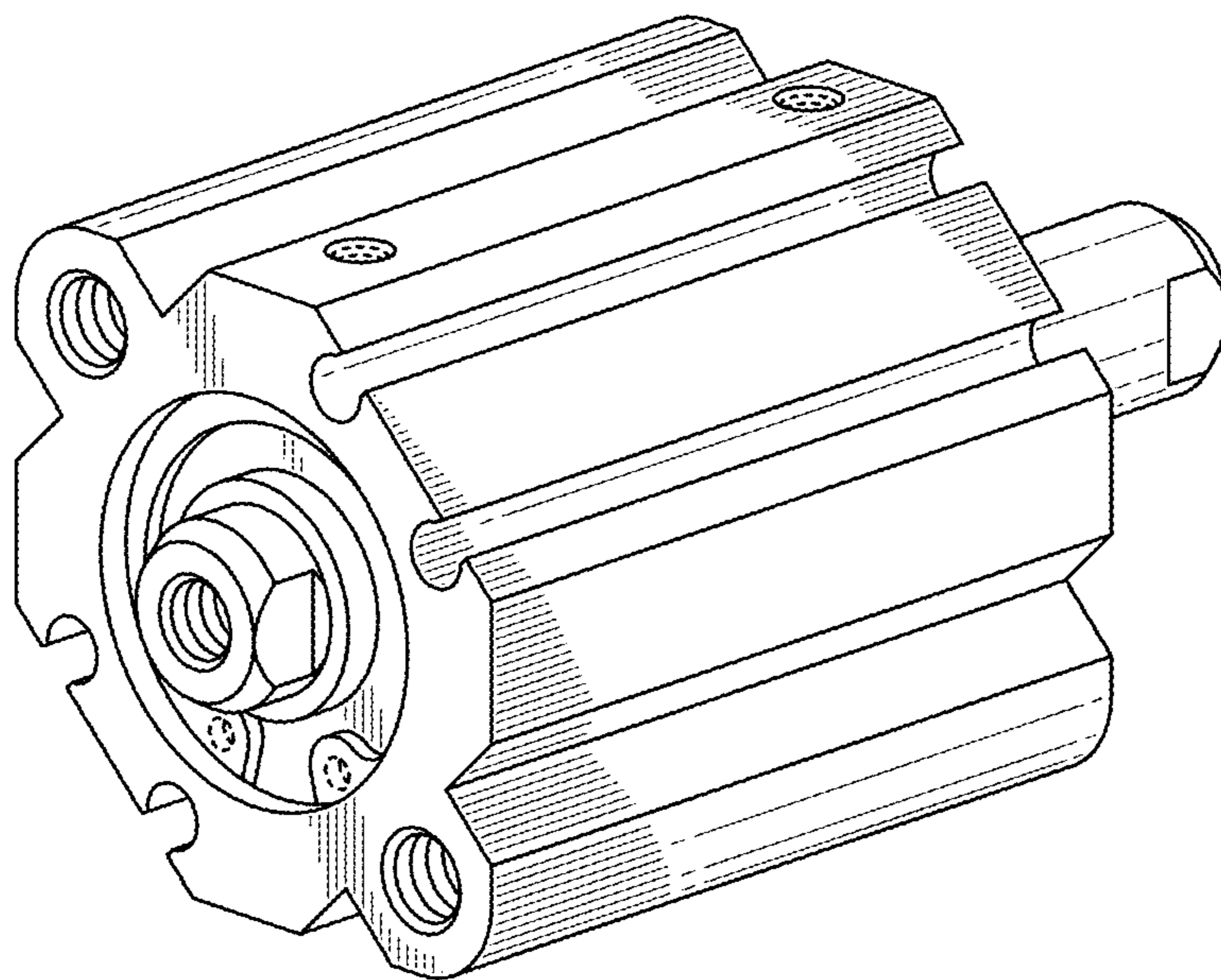


FIG. 10

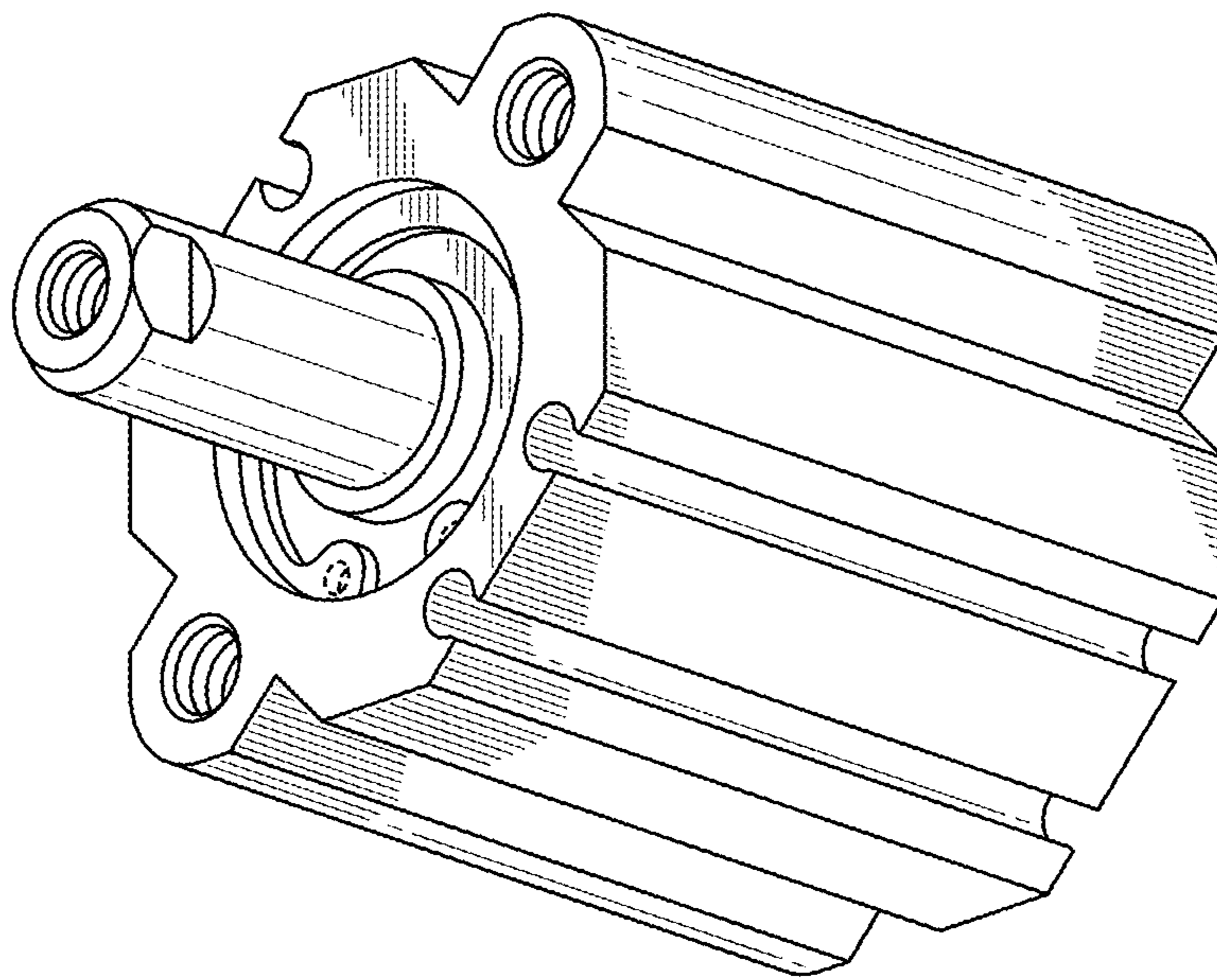


FIG. 11

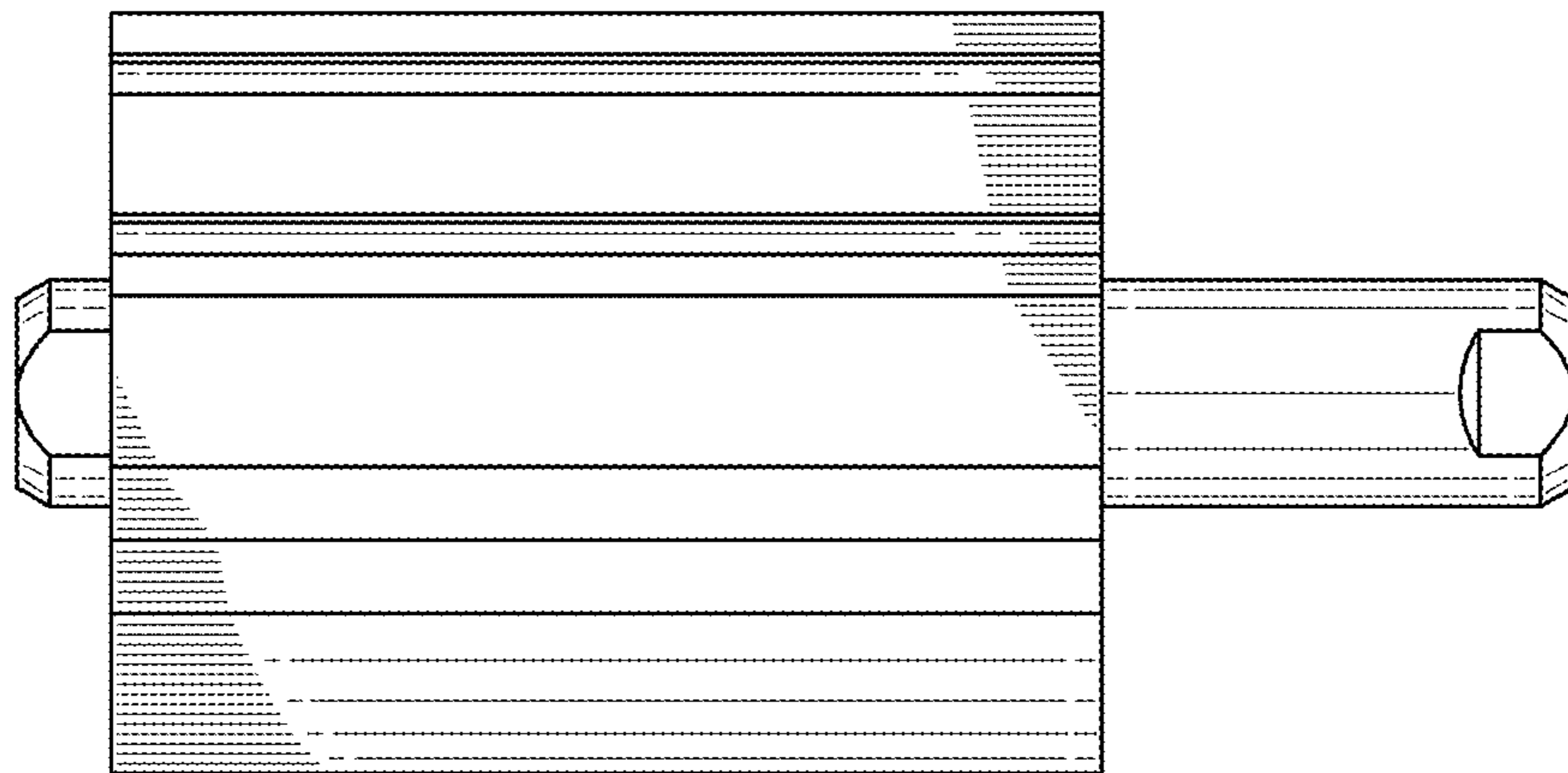


FIG. 12

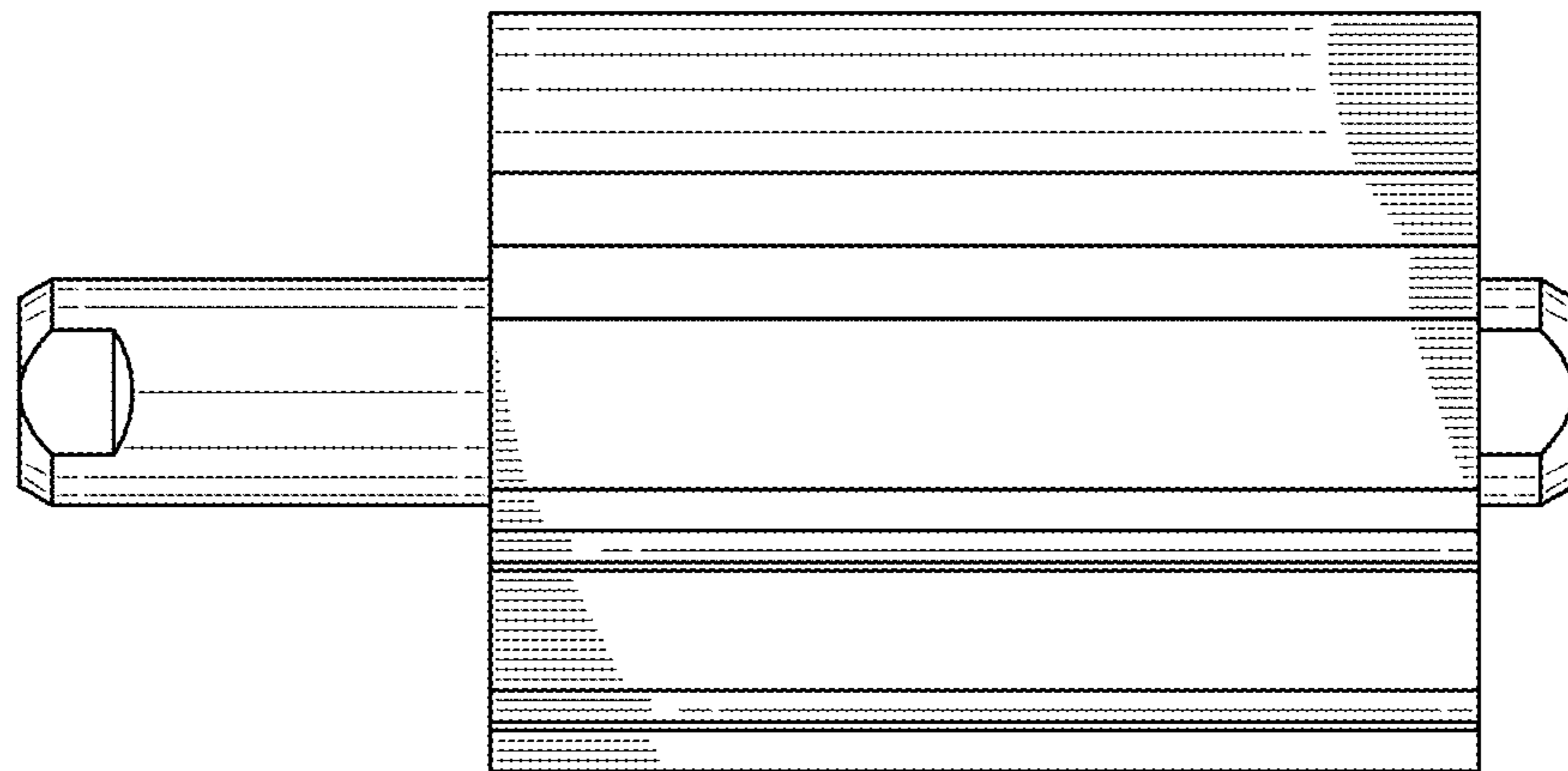


FIG. 13

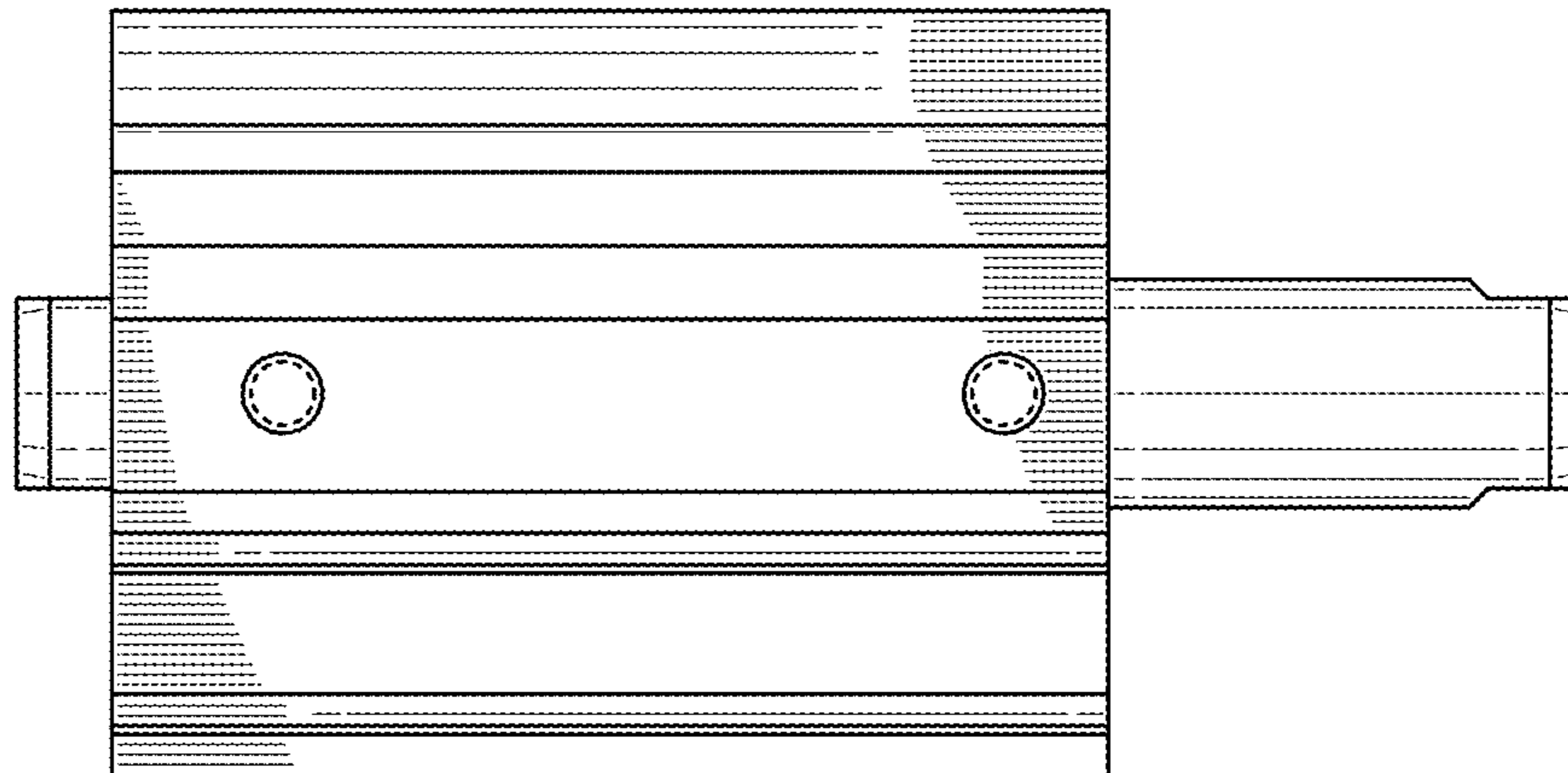


FIG. 14

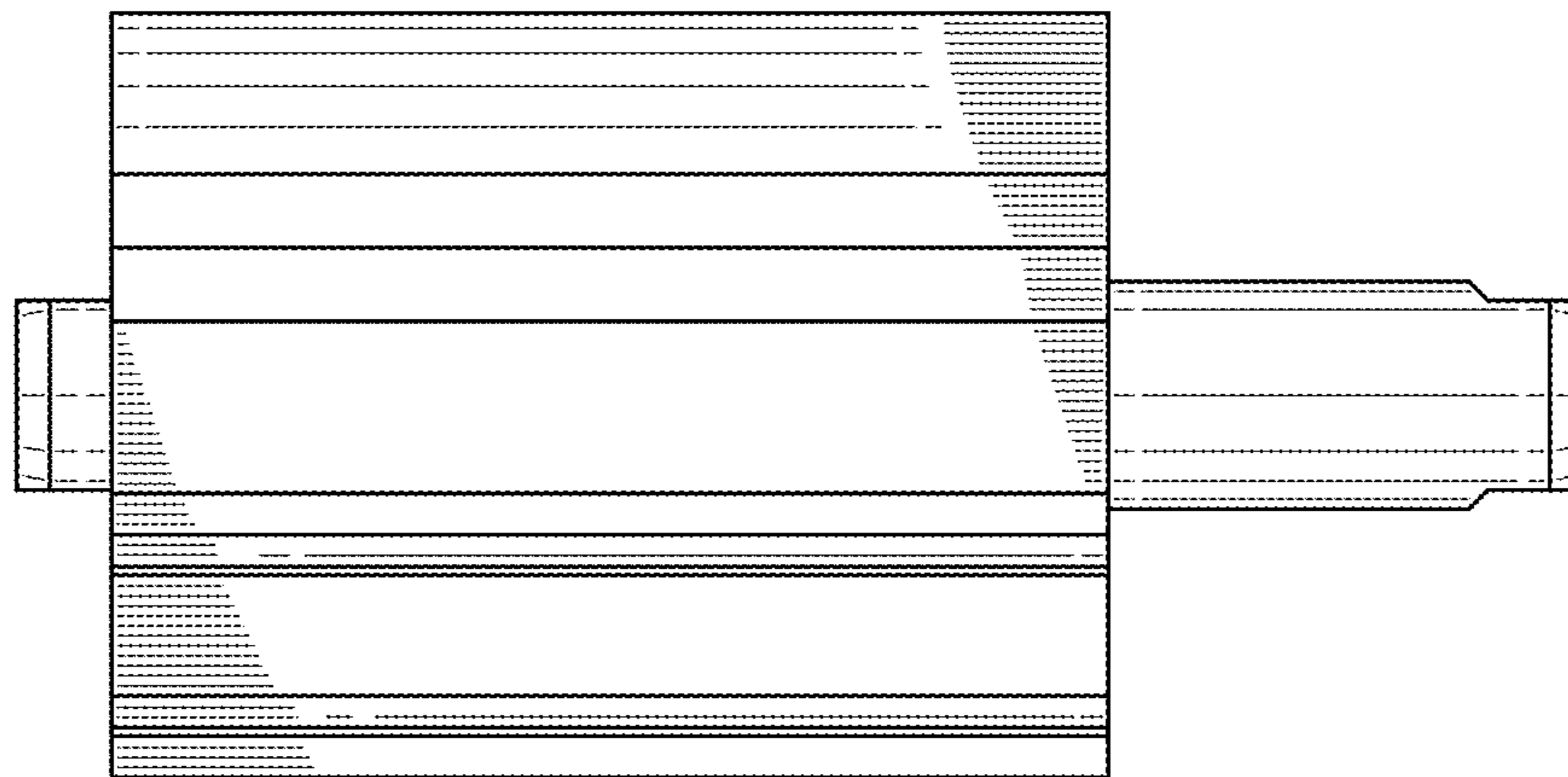


FIG. 15

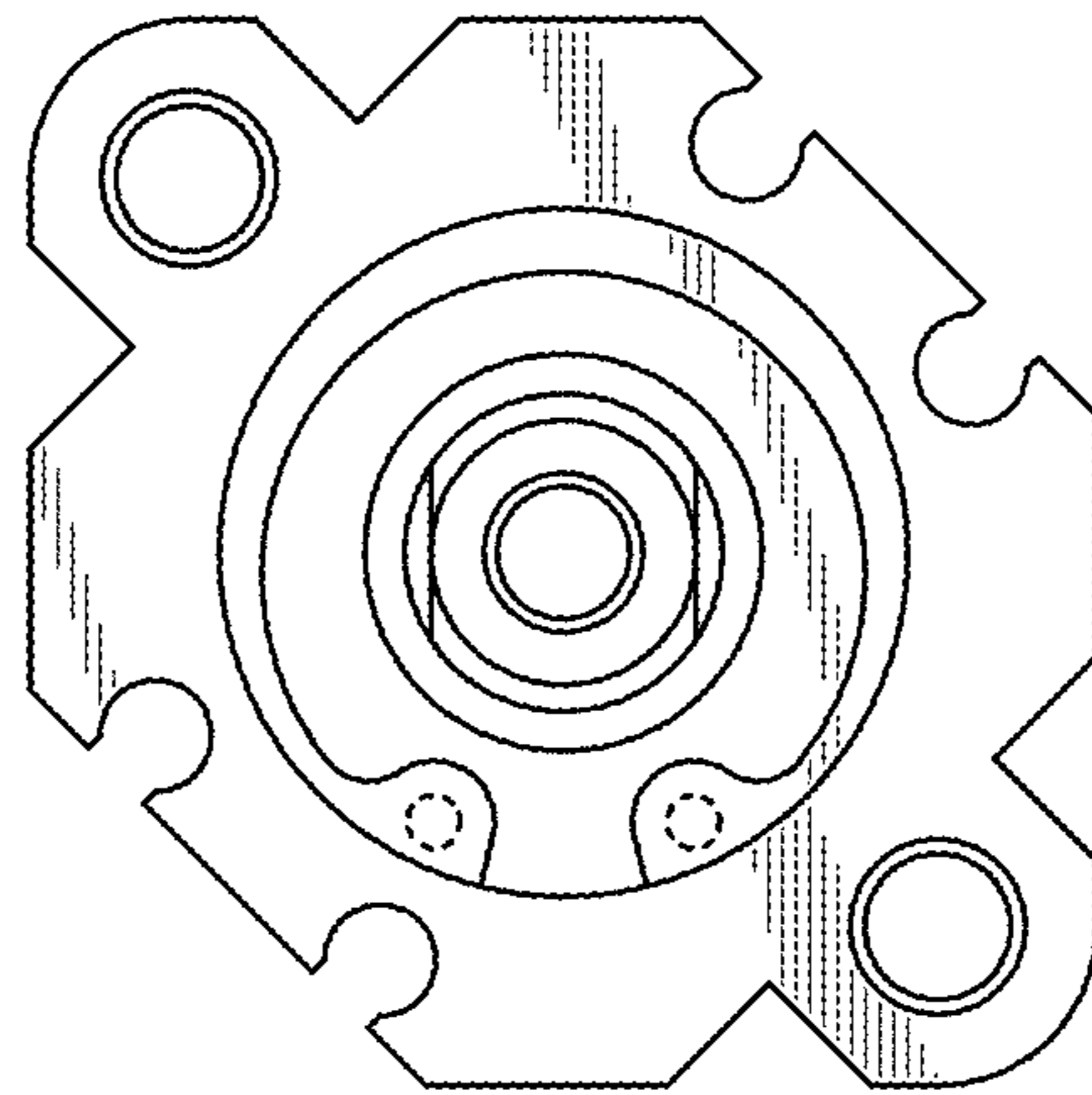


FIG. 16

