



US00D917572S

(12) **United States Design Patent** (10) **Patent No.:** **US D917,572 S**  
**Nagai** (45) **Date of Patent:** **\*\* Apr. 27, 2021**

(54) **FLUID PRESSURE CYLINDER**

FOREIGN PATENT DOCUMENTS

(71) Applicant: **SMC CORPORATION**, Tokyo (JP)

JP 847740 S 9/1992

(72) Inventor: **Hirotsugu Nagai**, Tsukubamirai (JP)

JP 1319948 S 1/2008

JP 1320362 S 1/2008

(73) Assignee: **SMC CORPORATION**, Tokyo (JP)

*Primary Examiner* — Khawaja Anwar

(\*\*) Term: **15 Years**

(74) *Attorney, Agent, or Firm* — Birch, Stewart, Kolasch & Birch, LLP

(21) Appl. No.: **29/736,927**

(57) **CLAIM**

(22) Filed: **Jun. 4, 2020**

The ornamental design for a fluid pressure cylinder, as shown and described.

**Related U.S. Application Data**

(62) Division of application No. 29/637,566, filed on Feb. 20, 2018, now Pat. No. Des. 894,965.

**DESCRIPTION**

(30) **Foreign Application Priority Data**

Aug. 21, 2017 (CN) ..... 201730386741.2

FIG. 1 is a front, top and left side perspective view of a fluid pressure cylinder showing a first embodiment of my new design;

(51) **LOC (13) Cl.** ..... **15-03**

FIG. 2 is a rear, bottom and right side perspective view thereof;

(52) **U.S. Cl.**

USPC ..... **D15/7**

FIG. 3 is a front view thereof;

(58) **Field of Classification Search**

USPC ..... D15/7-9; D23/231, 232, 225, 233

FIG. 4 is a rear view thereof;

CPC ..... F02M 37/04; F02M 31/14; F04D 29/4286

FIG. 5 is a top plan view thereof;

See application file for complete search history.

FIG. 6 is a bottom plan view thereof;

(56) **References Cited**

**U.S. PATENT DOCUMENTS**

D370,683 S \* 6/1996 Stahlman ..... D15/7

FIG. 7 is a left side view thereof;

D575,176 S 8/2008 Suzuki

FIG. 8 is a right side view thereof;

D575,177 S 8/2008 Suzuki

FIG. 9 is a front, top and left side perspective view of a fluid pressure cylinder showing a second embodiment of my new design;

D682,901 S \* 5/2013 Peschel ..... D15/143

FIG. 10 is a rear, bottom and right side perspective view of FIG. 9;

D704,238 S \* 5/2014 Fukano ..... D15/143

FIG. 11 is a front view of FIG. 9;

D757,120 S \* 5/2016 Kudo ..... D15/7

FIG. 12 is a rear view of FIG. 9;

D772,302 S \* 11/2016 Kudo ..... D15/7

FIG. 13 is a top plan view of FIG. 9;

D780,228 S \* 2/2017 Kudo ..... D15/7

FIG. 14 is a bottom plan view of FIG. 9;

D780,229 S \* 2/2017 Kudo ..... D15/7

FIG. 15 is a left side view of FIG. 9; and,

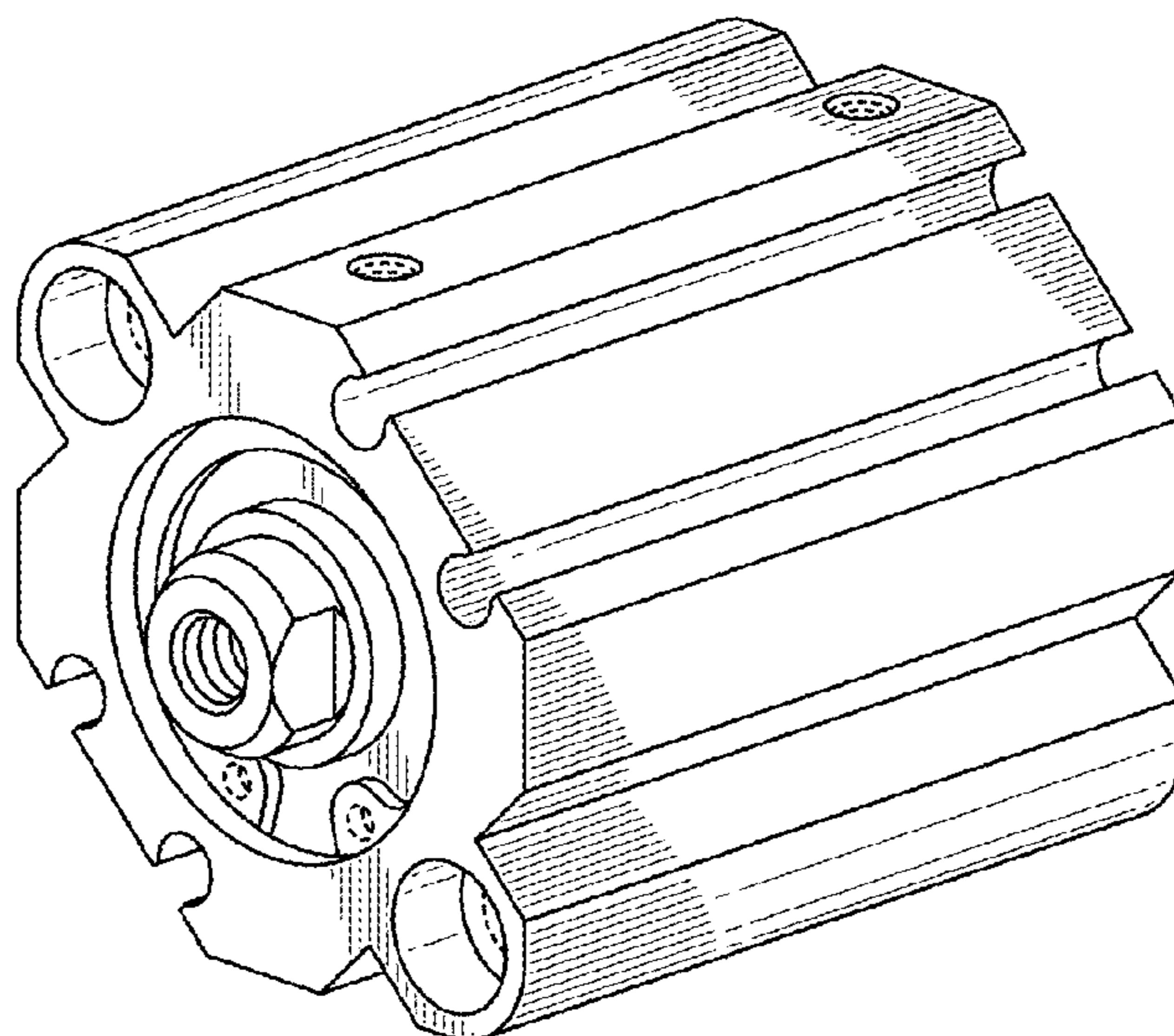
D805,559 S \* 12/2017 Kudo ..... D15/7

FIG. 16 is a right side view of FIG. 9.

The broken lines depict portions of the fluid pressure cylinder that form no part of the claimed design.

(Continued)

**1 Claim, 16 Drawing Sheets**



(56)

**References Cited**

U.S. PATENT DOCUMENTS

D805,560	S	*	12/2017	Kudo	.....	D15/7
D825,616	S	*	8/2018	Monden	.....	D15/9
D894,965	S	*	9/2020	Nagai	.....	D15/7
D900,879	S	*	11/2020	Nemoto	.....	D15/7
D900,880	S	*	11/2020	Nemoto	.....	D15/7
D908,737	S	*	1/2021	Nemoto	.....	D15/7
D909,418	S	*	2/2021	Nemoto	.....	D15/7
D909,419	S	*	2/2021	Nemoto	.....	D15/7
D909,420	S	*	2/2021	Nemoto	.....	D15/7

\* cited by examiner

FIG. 1

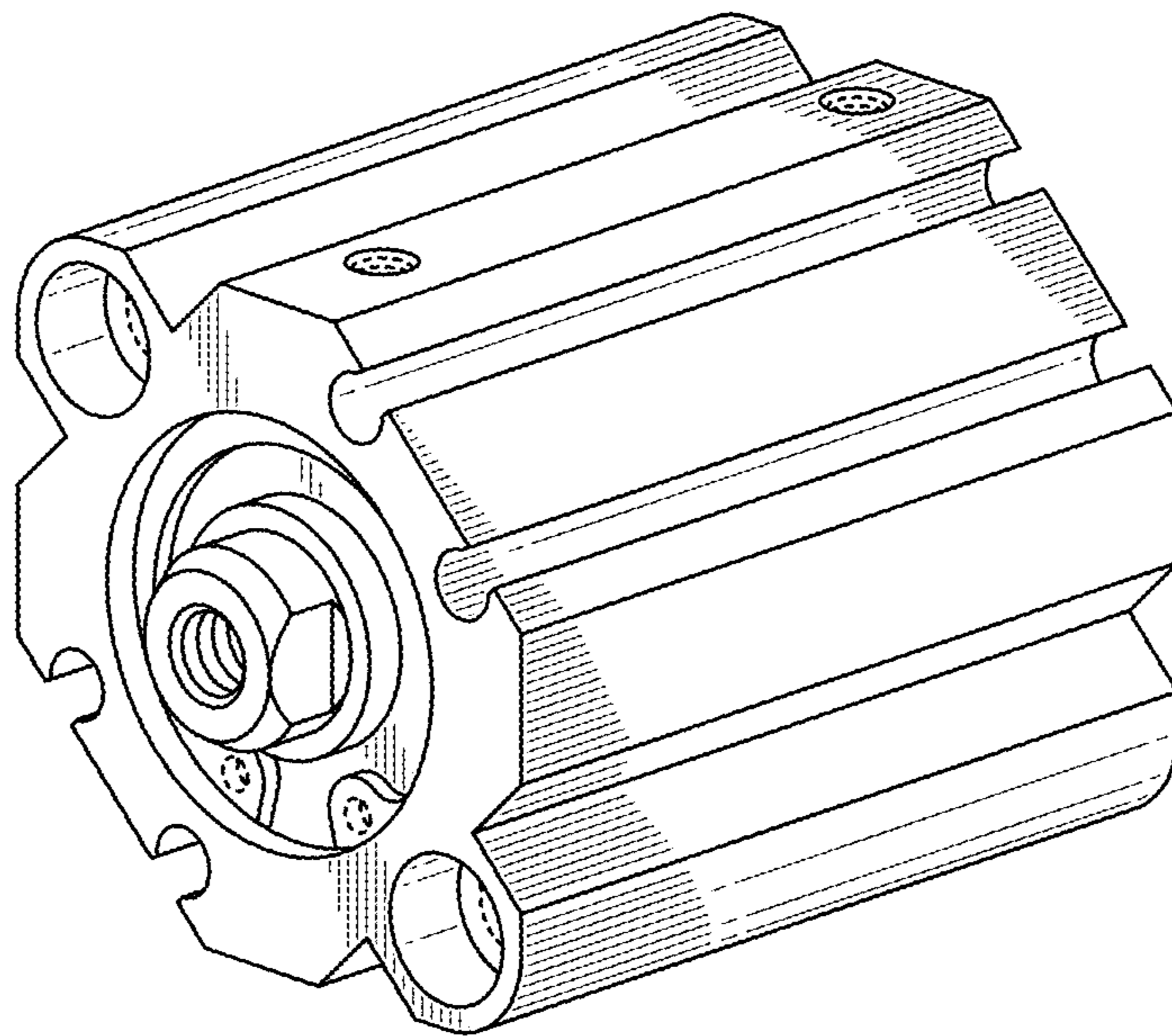


FIG. 2

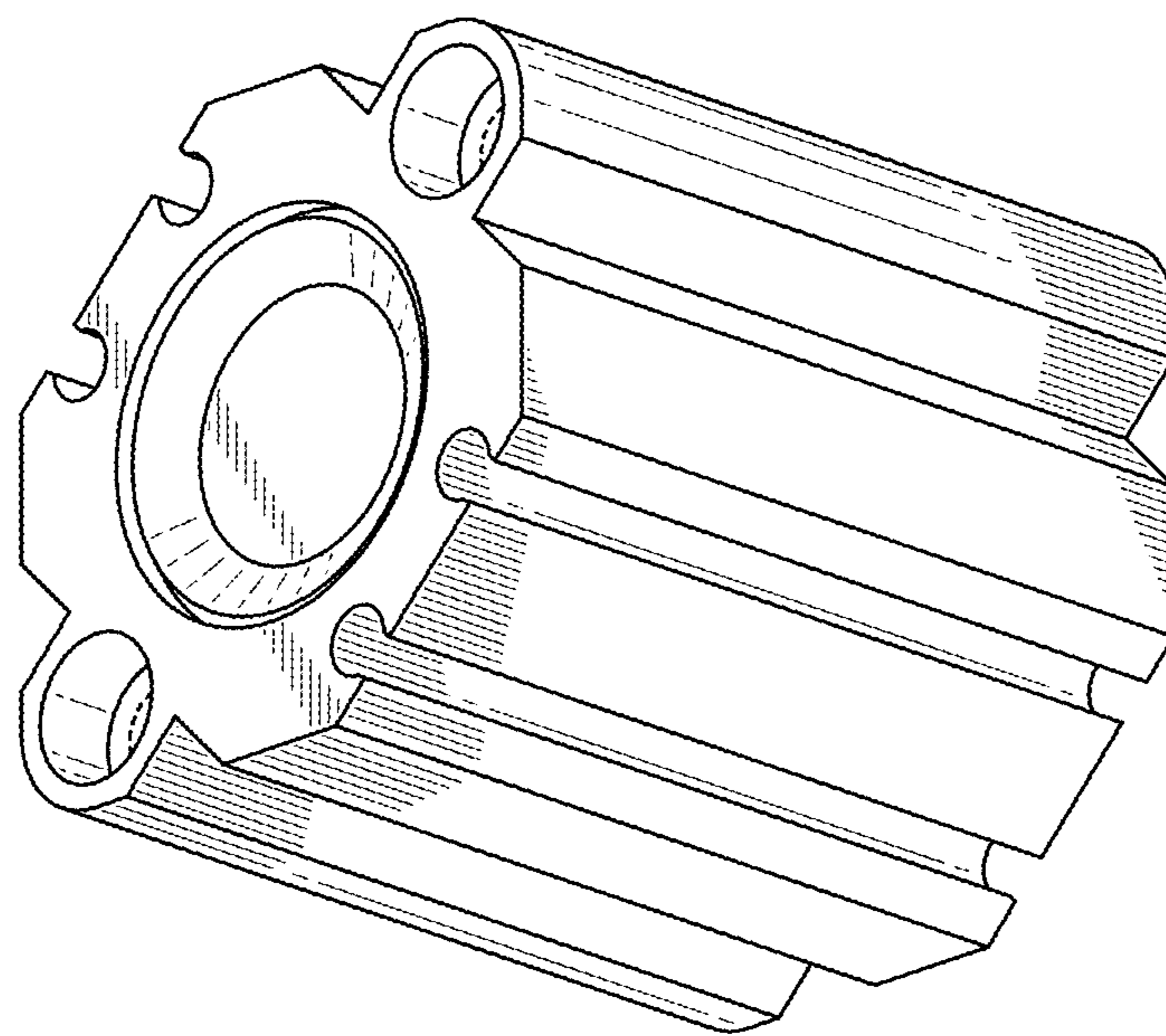


FIG. 3

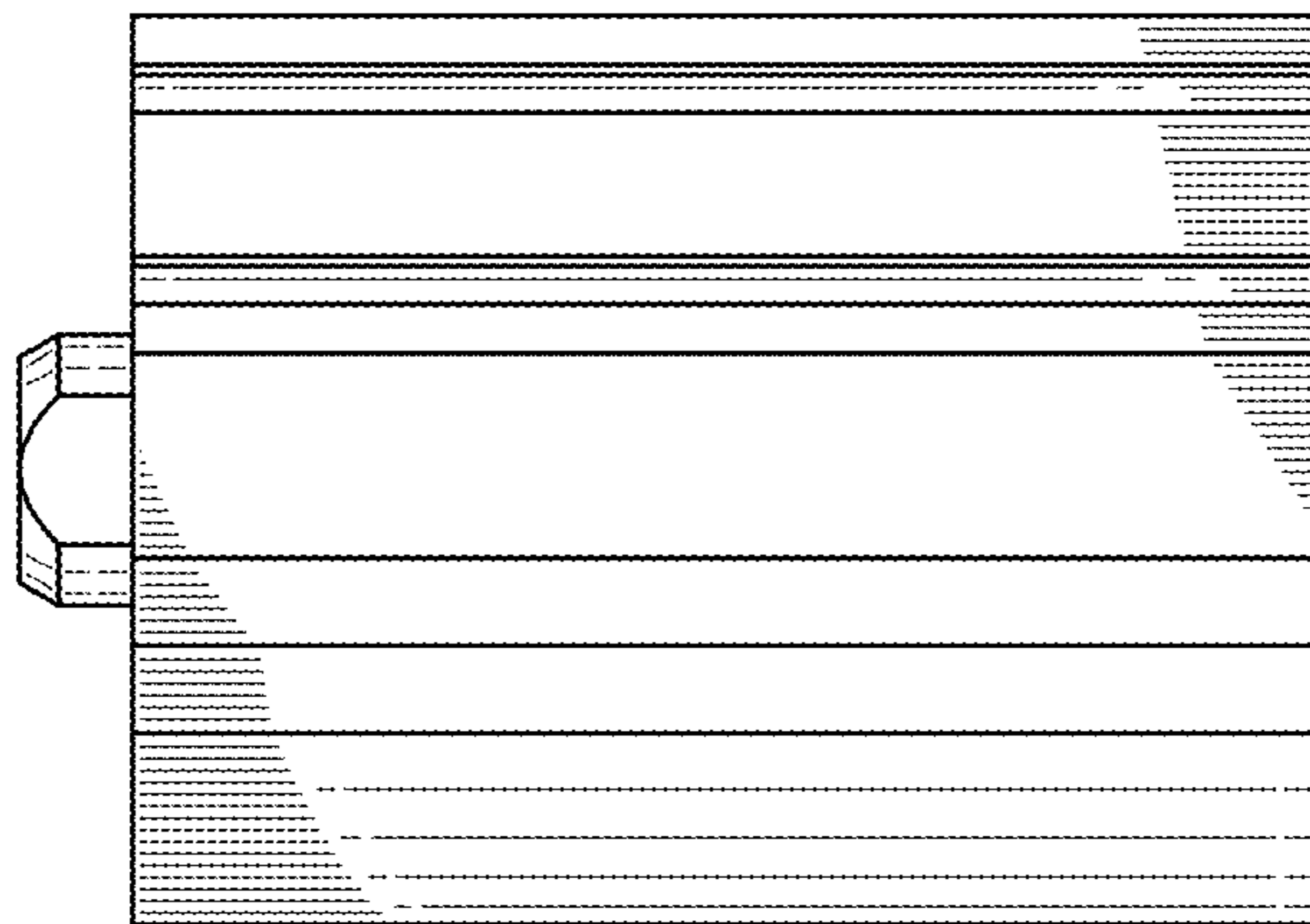


FIG. 4

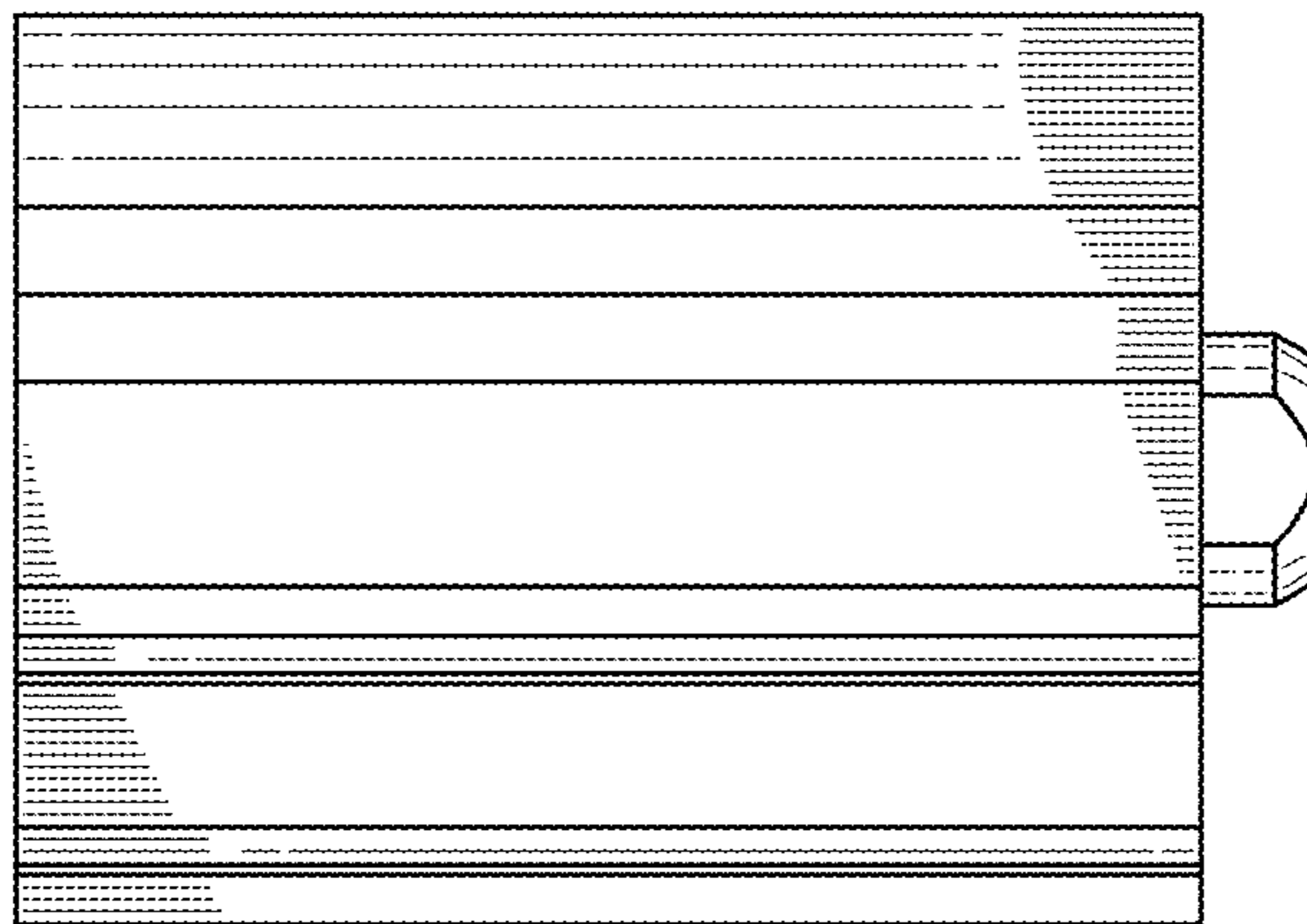


FIG. 5

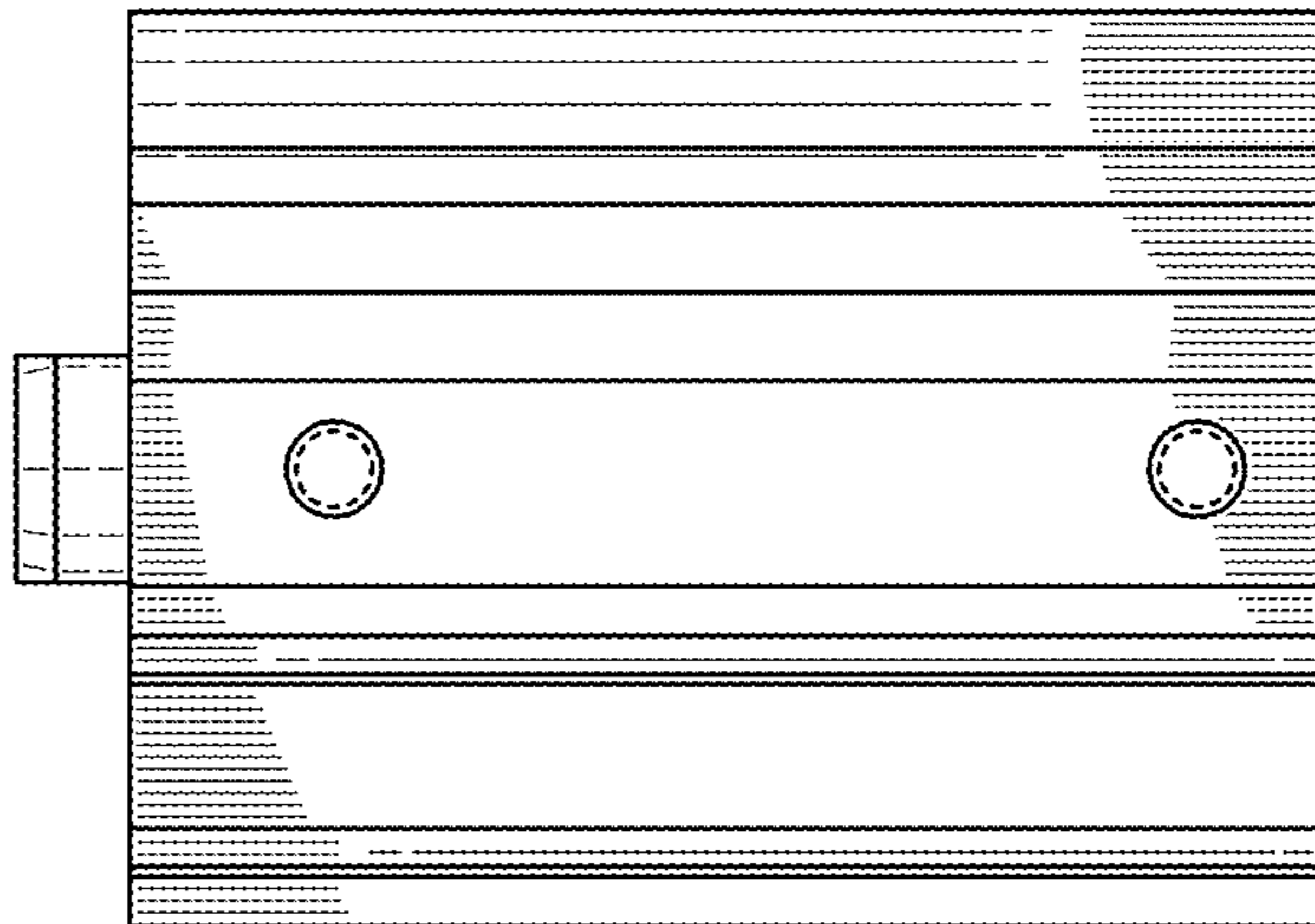


FIG. 6

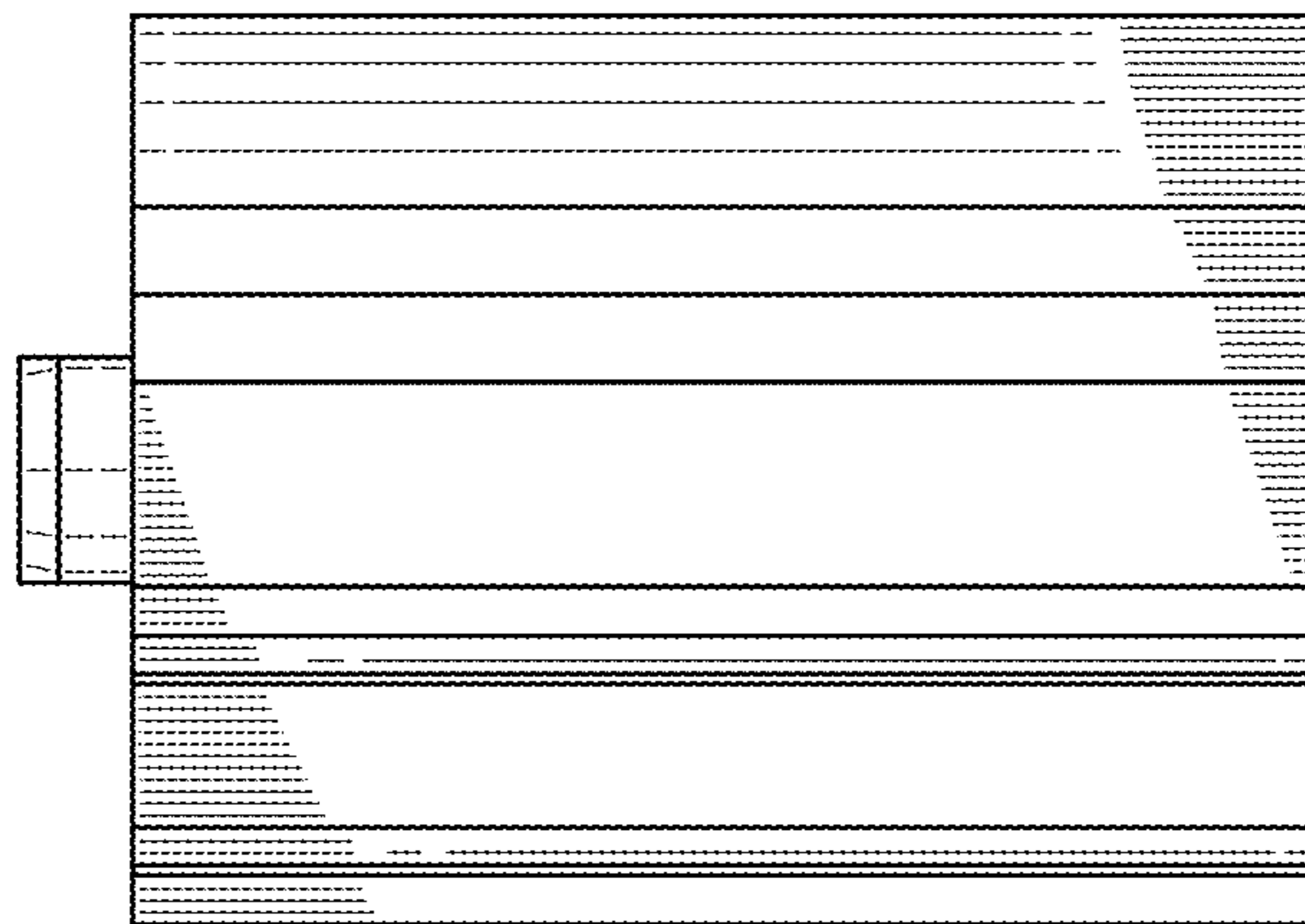




FIG. 7

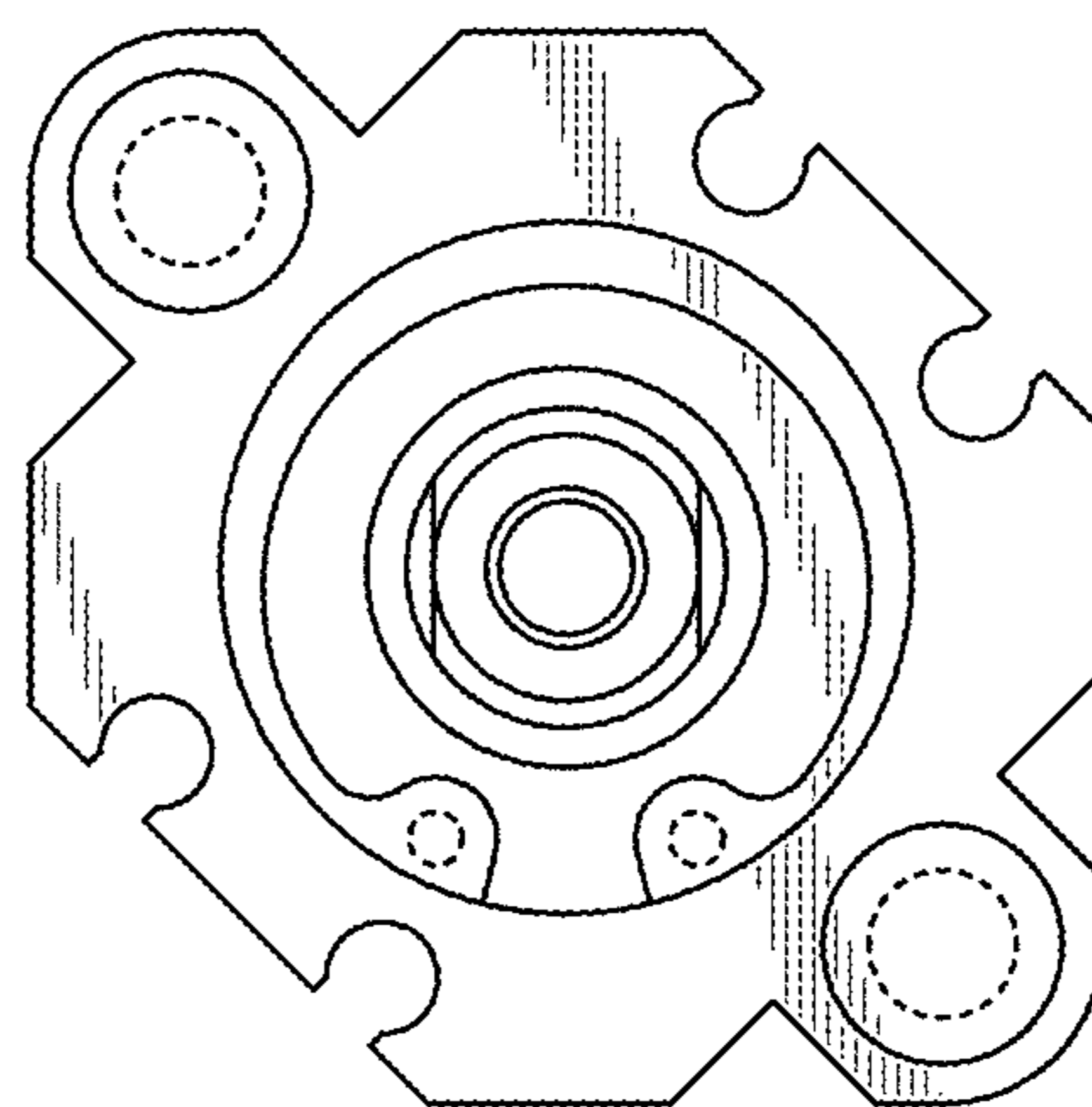


FIG. 8

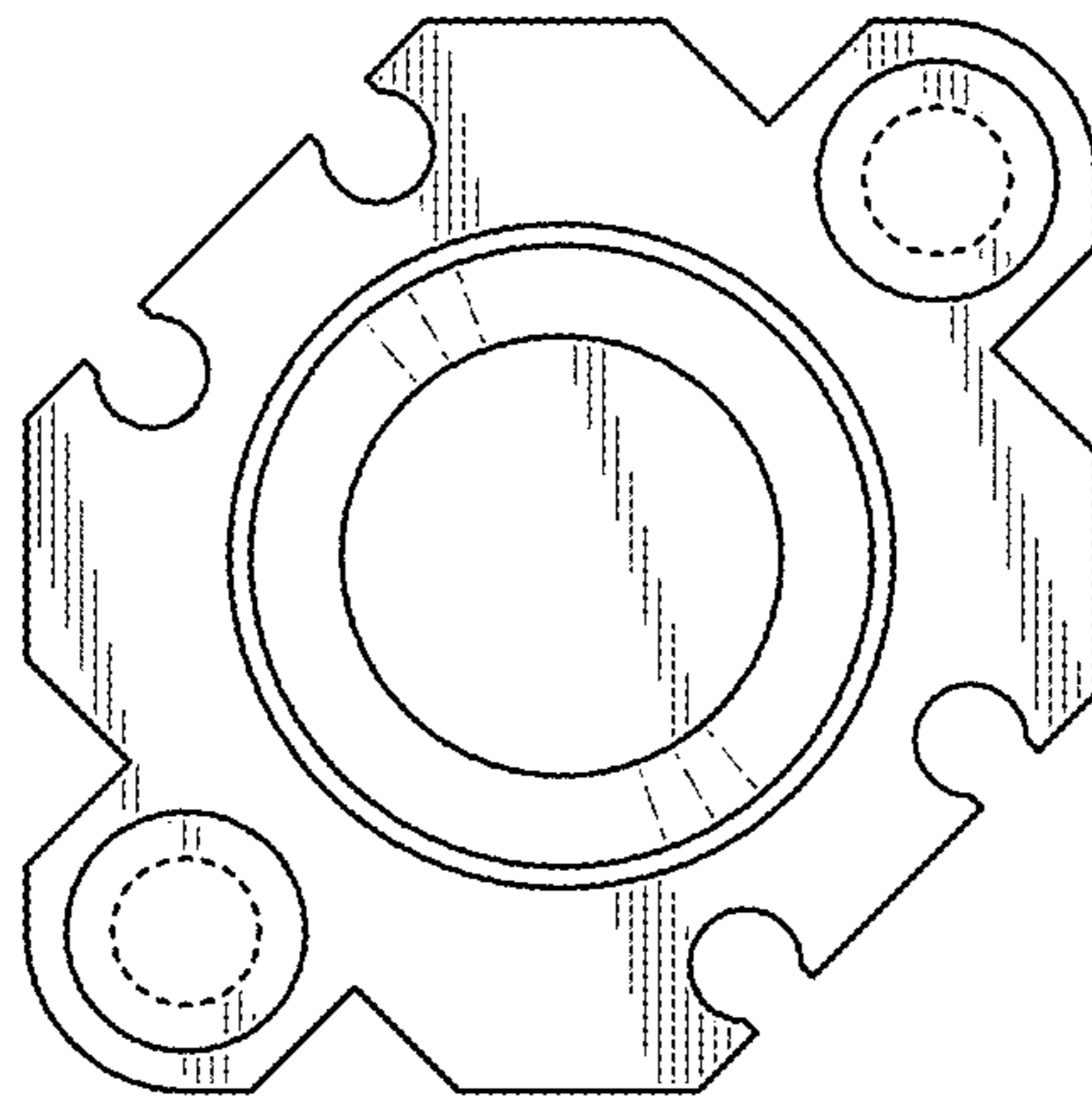


FIG. 9

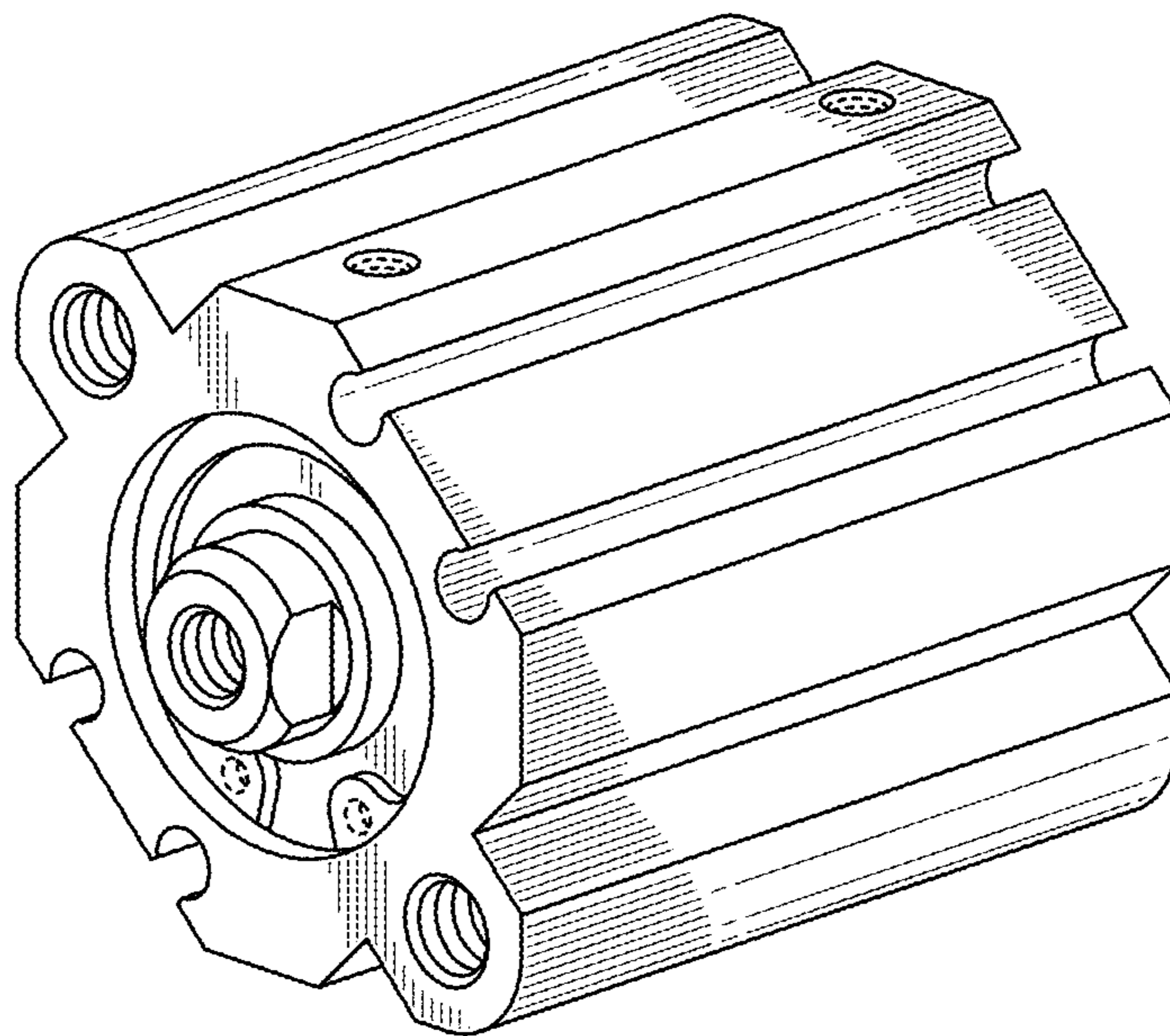


FIG. 10

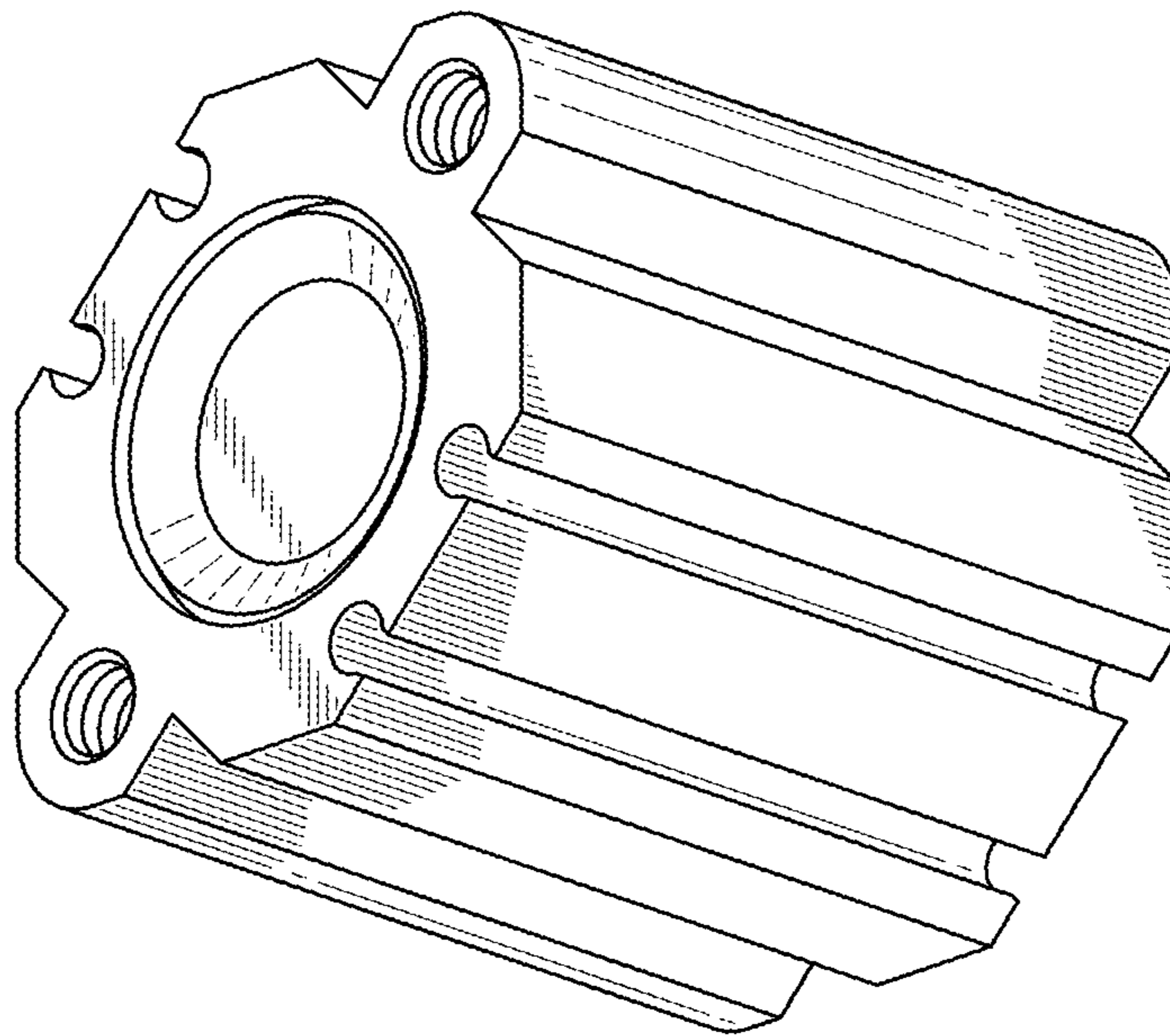


FIG. 11

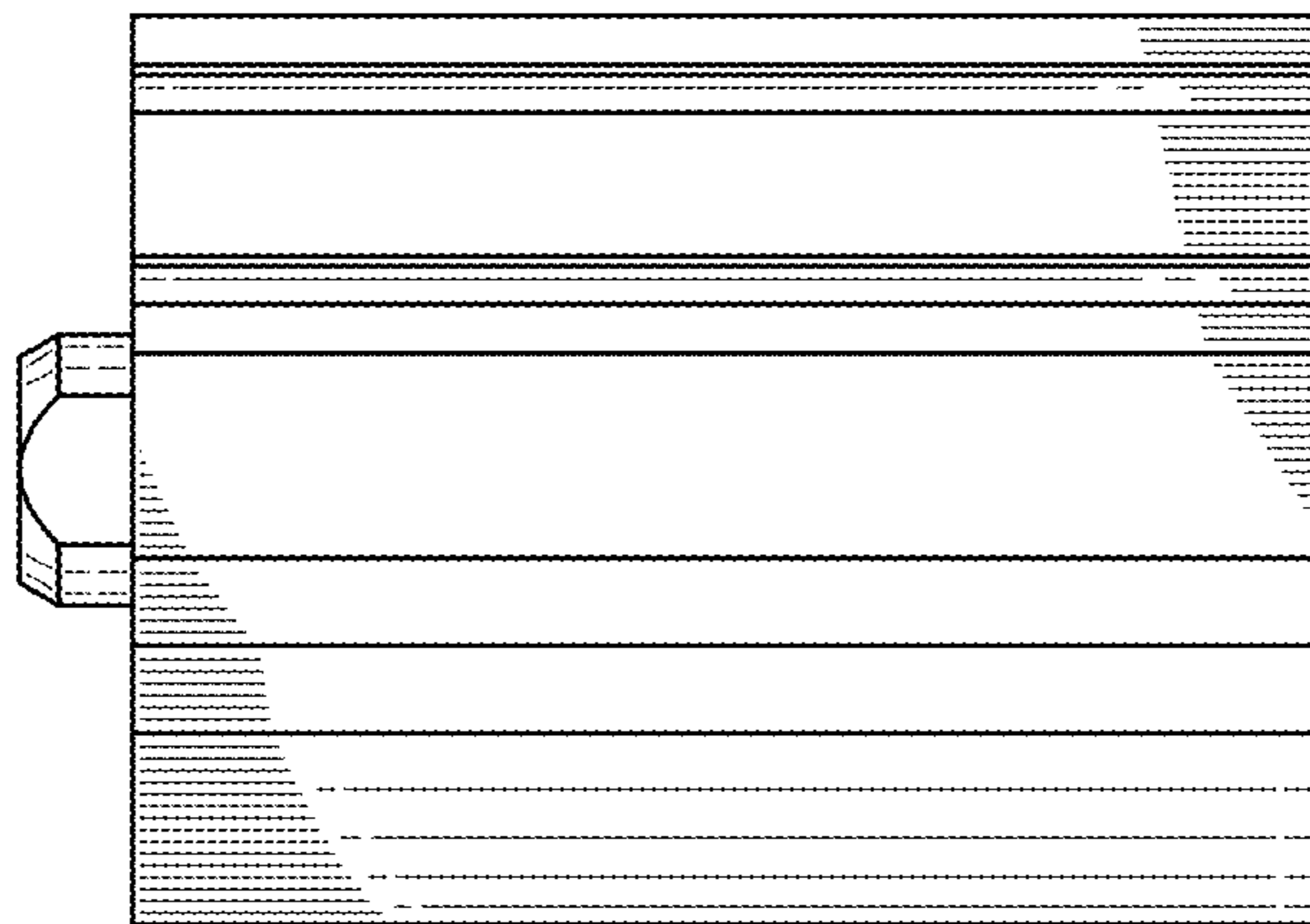


FIG. 12

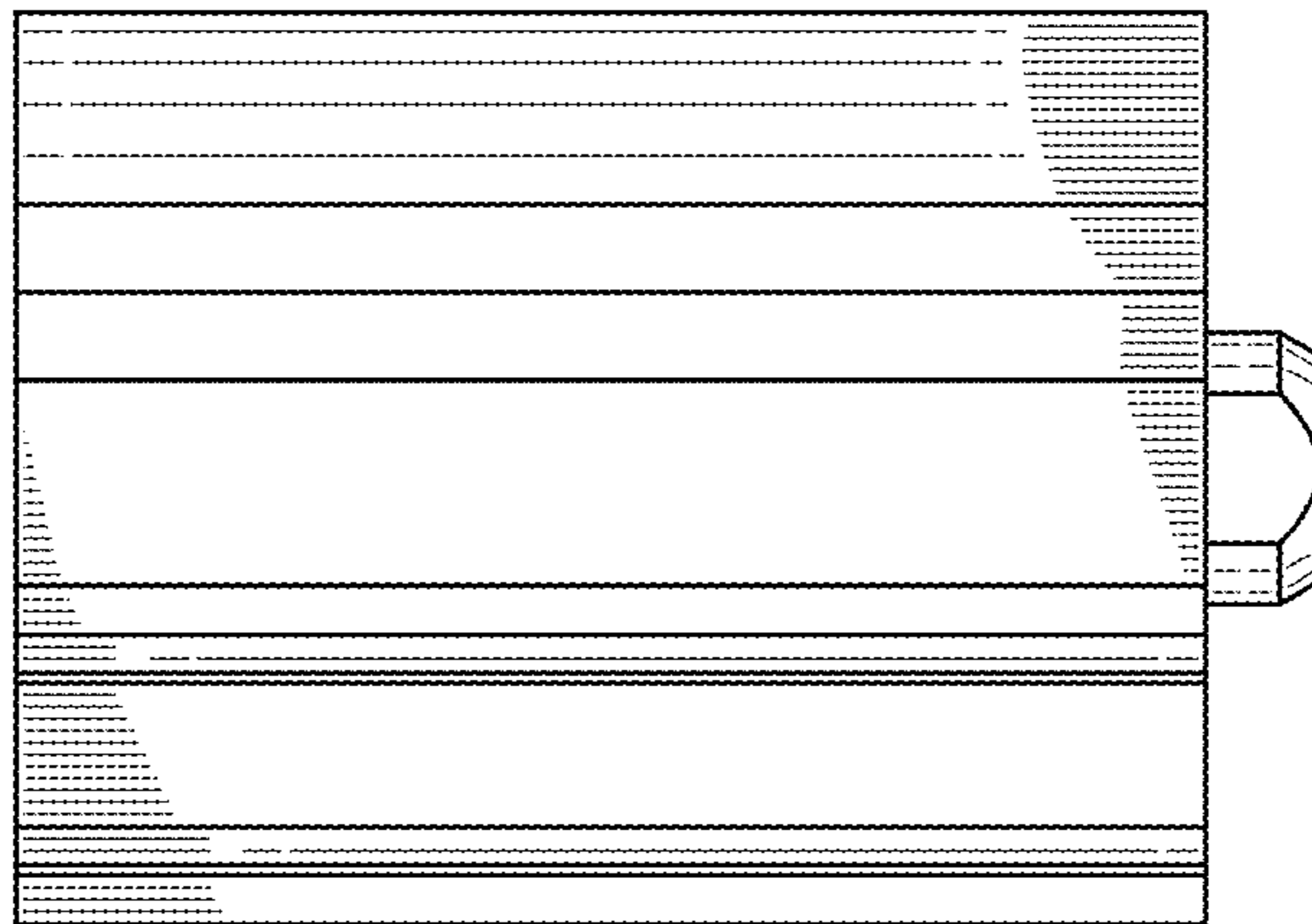


FIG. 13

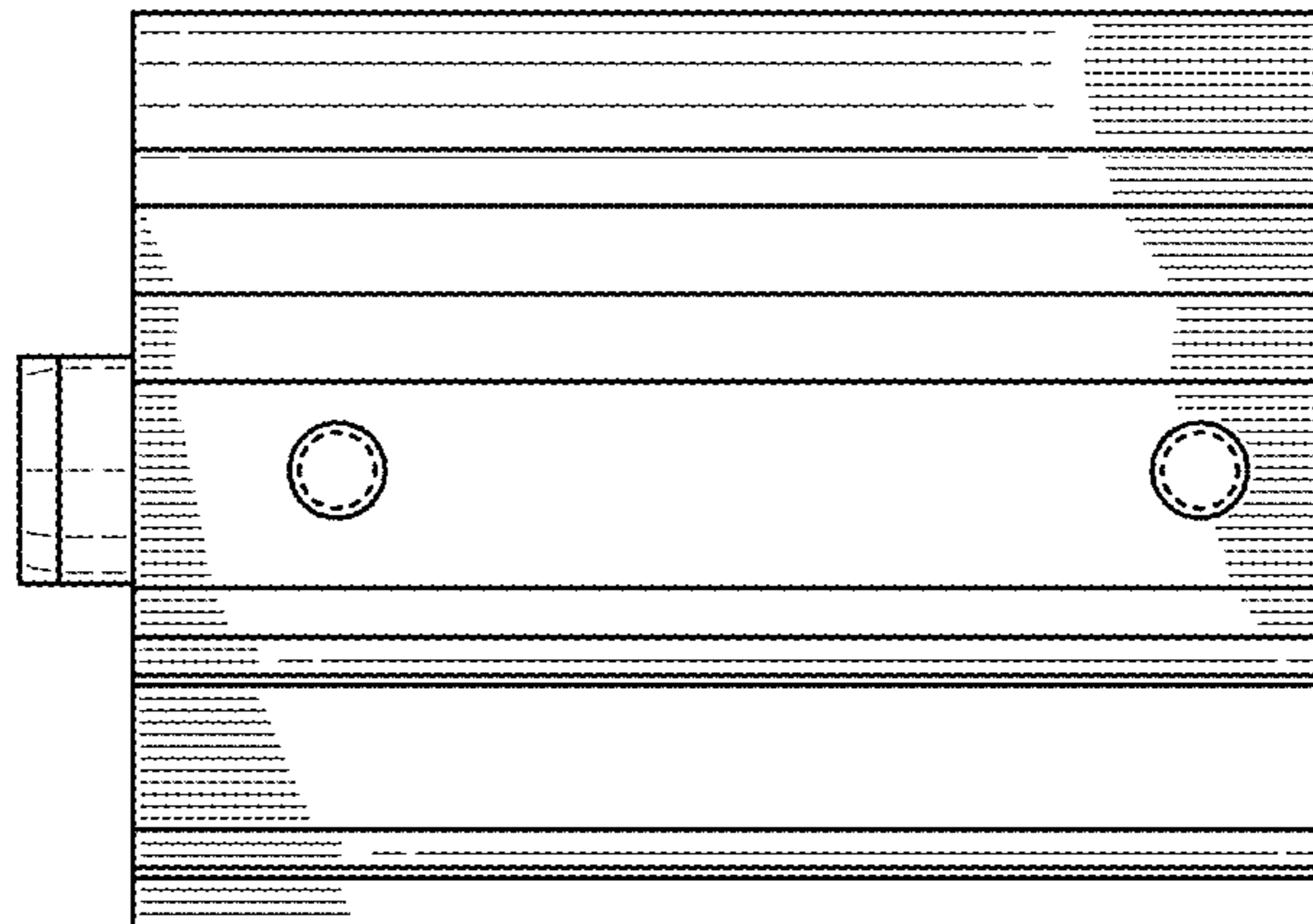


FIG. 14

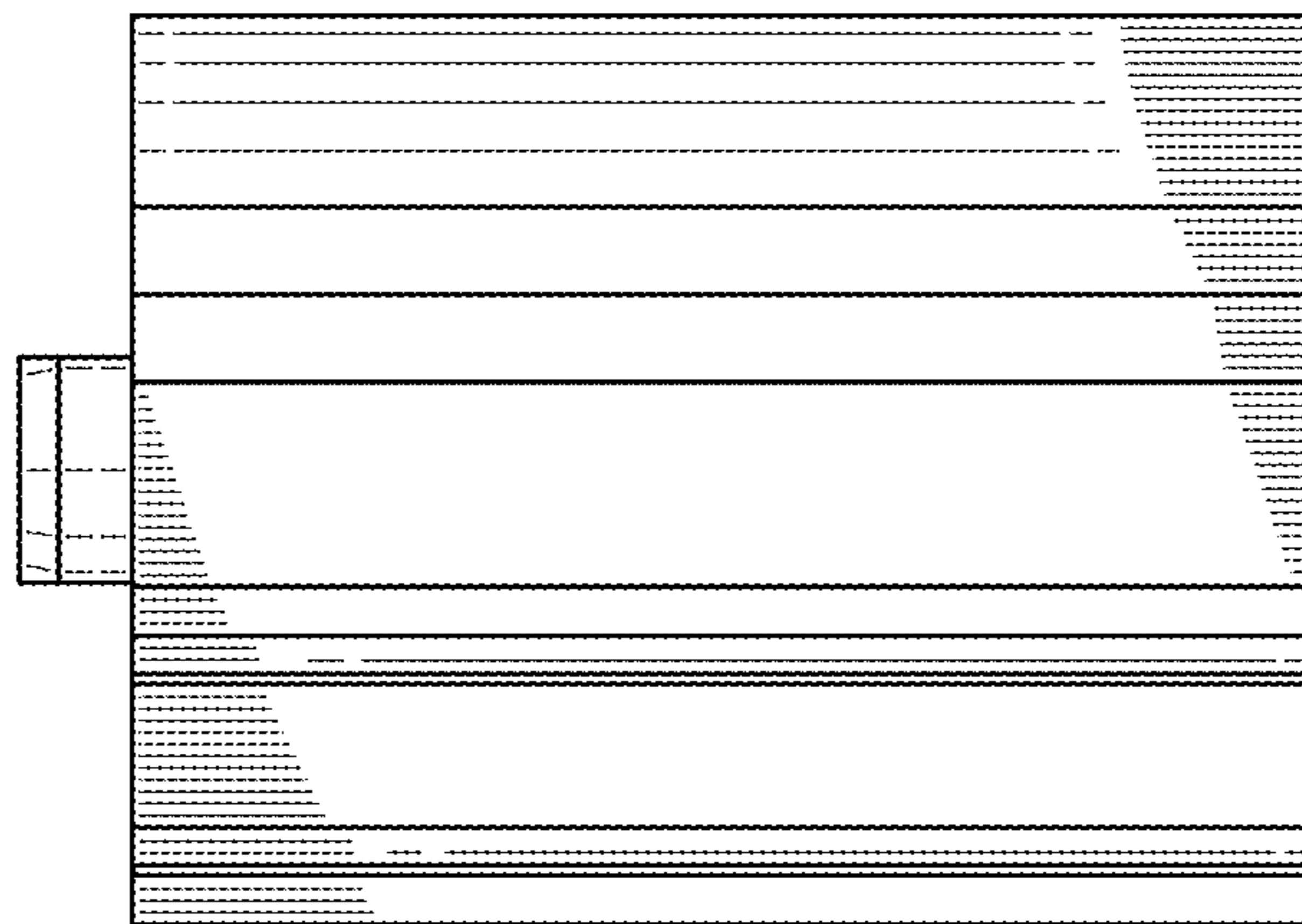




FIG. 15

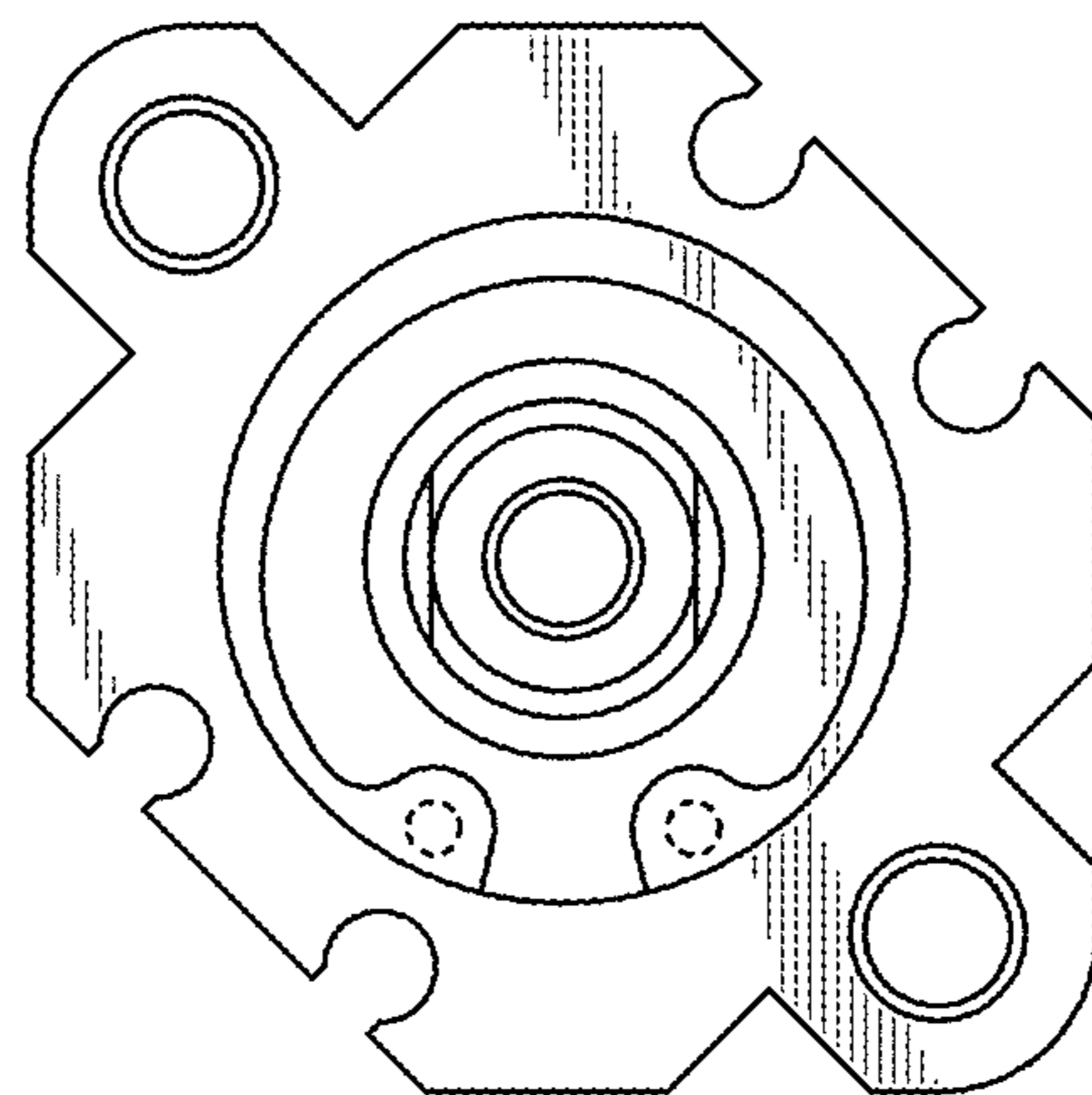


FIG. 16

