



US00D917571S

(12) **United States Design Patent** (10) **Patent No.:** **US D917,571 S**  
**Chen** (45) **Date of Patent:** **\*\* Apr. 27, 2021**

(54) **SINGLE CYLINDER AIR PUMP**  
(71) Applicant: **Guibin Chen**, Guangdong (CN)  
(72) Inventor: **Guibin Chen**, Guangdong (CN)  
(73) Assignee: **Guangzhou Unique Electronics Co., Ltd.**, Guangzhou (CN)  
(\*\*) Term: **15 Years**  
(21) Appl. No.: **29/698,562**  
(22) Filed: **Jul. 18, 2019**  
(51) **LOC (13) Cl.** ..... **15-02**  
(52) **U.S. Cl.**  
USPC ..... **D15/7**  
(58) **Field of Classification Search**  
USPC ..... D28/9, 57, 62, 93, 99, 91.1;  
D7/300-321; D24/108, 110, 111;  
D13/103, 107; D23/210, 225, 231, 232,  
D23/366; D15/7-9  
CPC ..... F04B 53/00; F04B 45/027; F04B 1/005;  
F04B 35/06; B25B 21/02; B60S 5/04;  
B60S 5/046; B05B 7/00; B05B 11/00;  
B05B 19/02; A45D 2200/056; A45D  
44/02  
See application file for complete search history.

(56) **References Cited**  
U.S. PATENT DOCUMENTS  
D340,458 S \* 10/1993 Wang ..... D15/7  
D576,642 S \* 9/2008 Steinfels ..... D15/9  
D578,551 S \* 10/2008 Bonzer ..... D15/9  
D588,165 S \* 3/2009 Steinfels ..... D15/9  
D589,985 S \* 4/2009 Steinfels ..... D15/9  
D658,208 S \* 4/2012 Moser, III ..... D15/9  
D678,339 S \* 3/2013 Hughes ..... D15/7  
D754,755 S \* 4/2016 Suthmann ..... D15/9  
D792,473 S \* 7/2017 Imsand ..... D15/7  
D814,262 S \* 4/2018 Khubani ..... D8/68

D833,385 S \* 11/2018 Inskeep ..... D13/107  
2008/0181794 A1 \* 7/2008 Steinfels ..... F04B 35/06  
417/234  
2012/0241014 A1 \* 9/2012 Wise ..... F04B 17/06  
137/13

**OTHER PUBLICATIONS**

Wheelor, Digital Portable Air Compressor Tire Inflator Pressure Gauge for Car Electric Auto Pump for Car Bicycles Motorcycle, (first available Jul. 9, 2020), Amazon.com, URL:<https://www.amazon.com/Wheelor-Compressor-Motorcycle-Basketball-Inflatables/dp/B08CMSLJRT> (Year: 2020).\*  
Merece ,Tire Inflator Portable Air Compressor—Cordless Car Tire Air Pump Rechargeable Air Compressor for Car Tires Motorcycle Bike, (first available date Jul. 27, 2020), Amazon.com, URL:<https://www.amazon.com/dp/B089GLGCMG> (Year: 2020).\*

(Continued)

*Primary Examiner* — Sheryl Lane  
*Assistant Examiner* — Mark T. Philipps

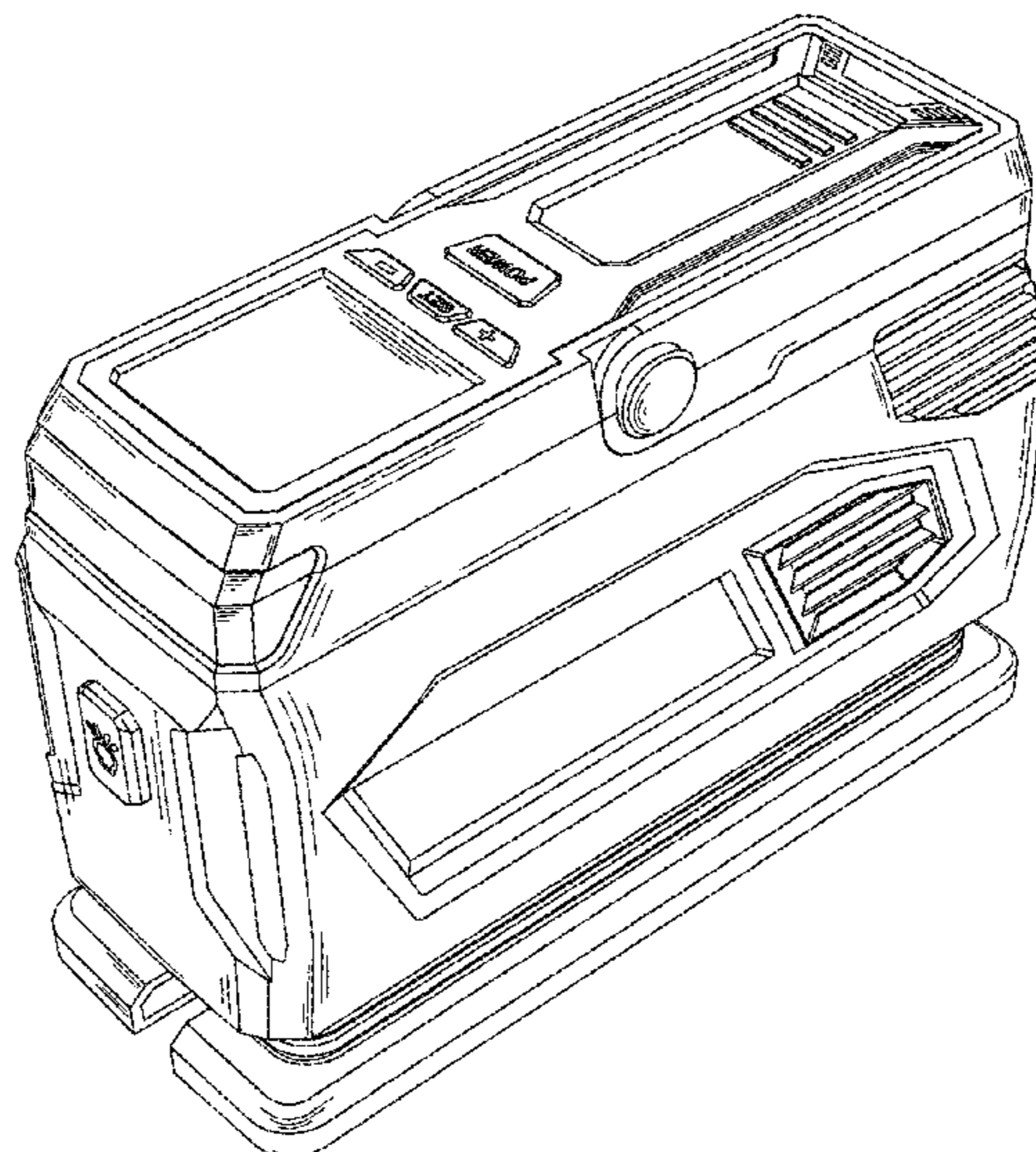
(57) **CLAIM**

The ornamental design for a single cylinder air pump, as shown and described.

**DESCRIPTION**

FIG. 1 is a perspective view of a single cylinder air pump showing my new design;  
FIG. 2 is a front elevational view thereof;  
FIG. 3 is a rear elevational view thereof;  
FIG. 4 is a left side elevational view thereof;  
FIG. 5 is a right side elevational view thereof;  
FIG. 6 is a top plan view thereof;  
FIG. 7 is a bottom plan view thereof; and,  
FIG. 8 is a perspective view thereof, shown the state of the handle is pulled out.  
The broken lines in the drawings depict portions of the single cylinder air pump that form no part of the claimed design.

**1 Claim, 8 Drawing Sheets**



(56)

**References Cited**

OTHER PUBLICATIONS

Suparee, Tire Inflator Air Compressor Portable DC 12V Air Pump with LED Light for Car Tires and Other Inflatables Digital Electric Tire Pump Pressure Gauge, (first available date Mar. 16, 2020), Amazon.com, URL:<<https://www.amazon.com/SUPAREE-Inflator-Compressor-Portable-Inflatables/dp/B085Y6GD1D>> (Year: 2020).\*

\* cited by examiner

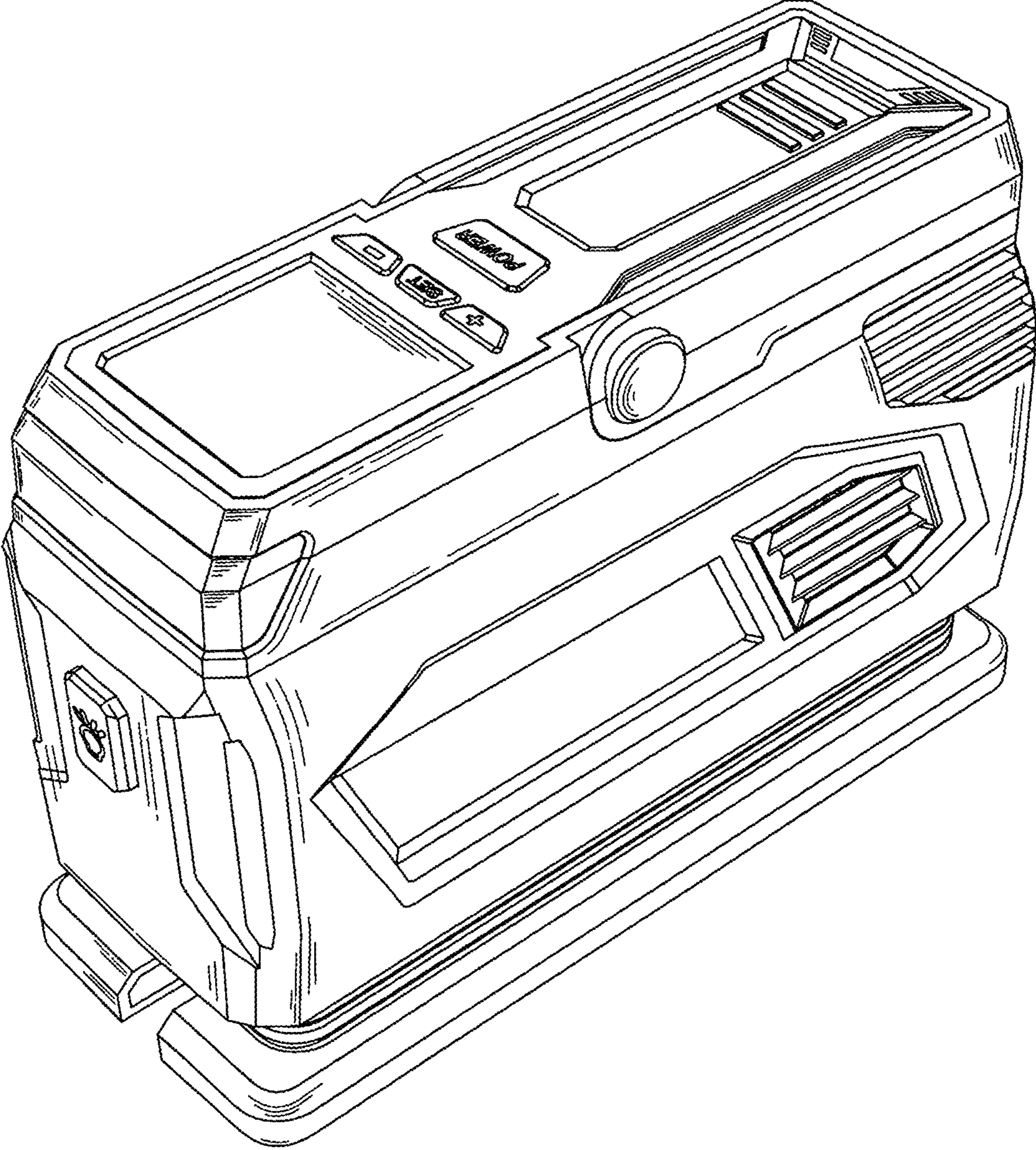


FIG. 1

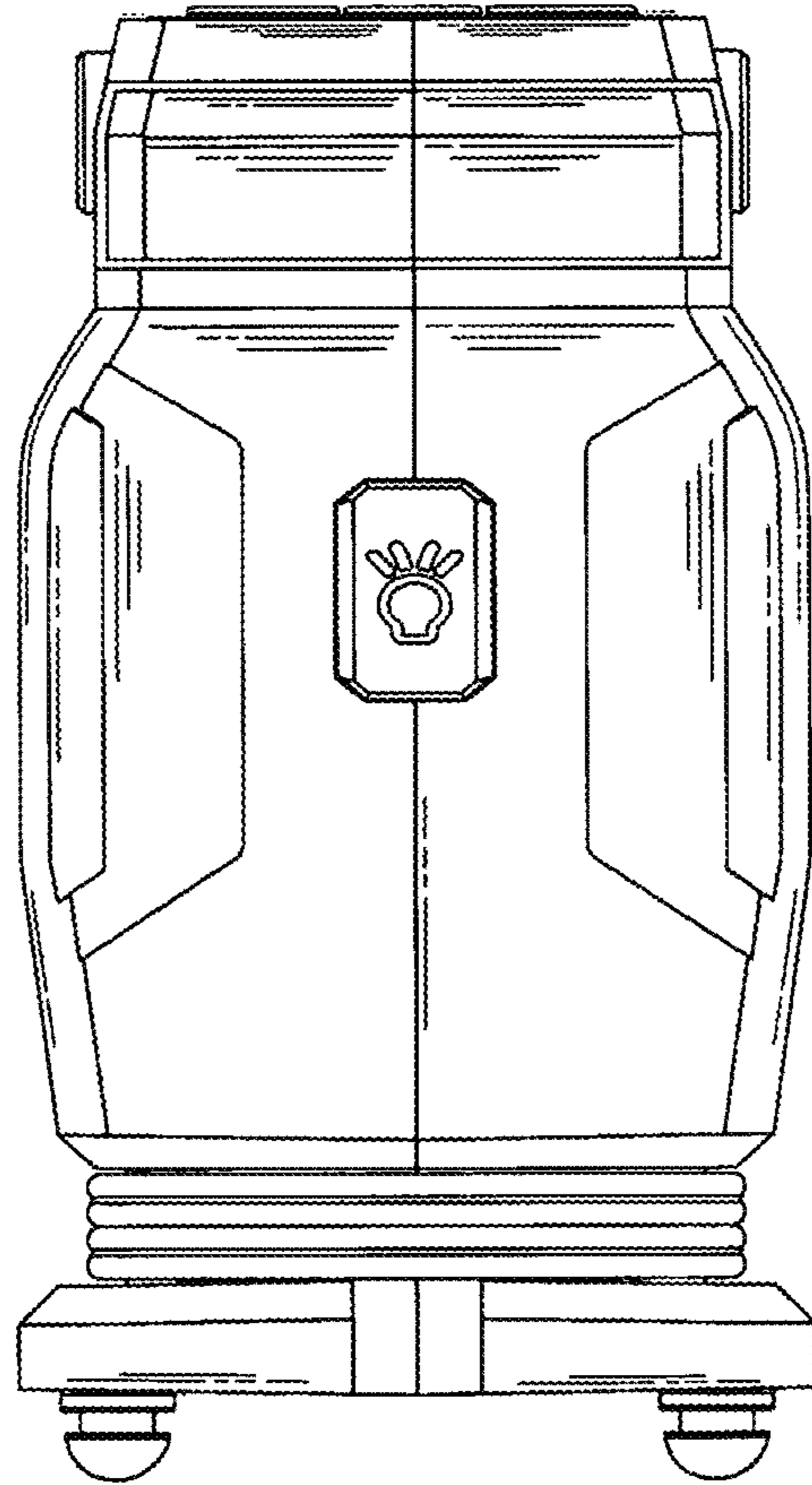


FIG. 2

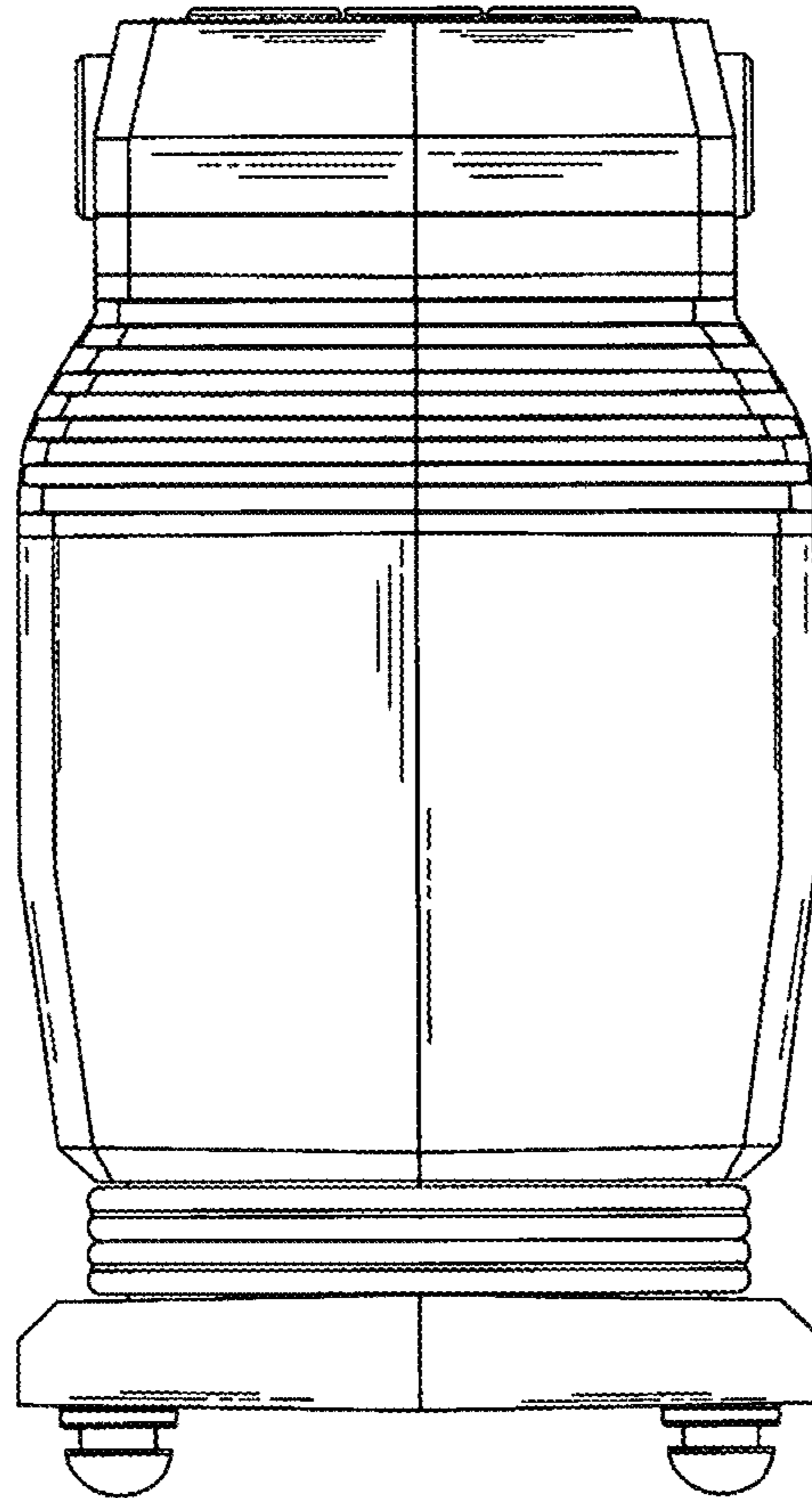


FIG. 3

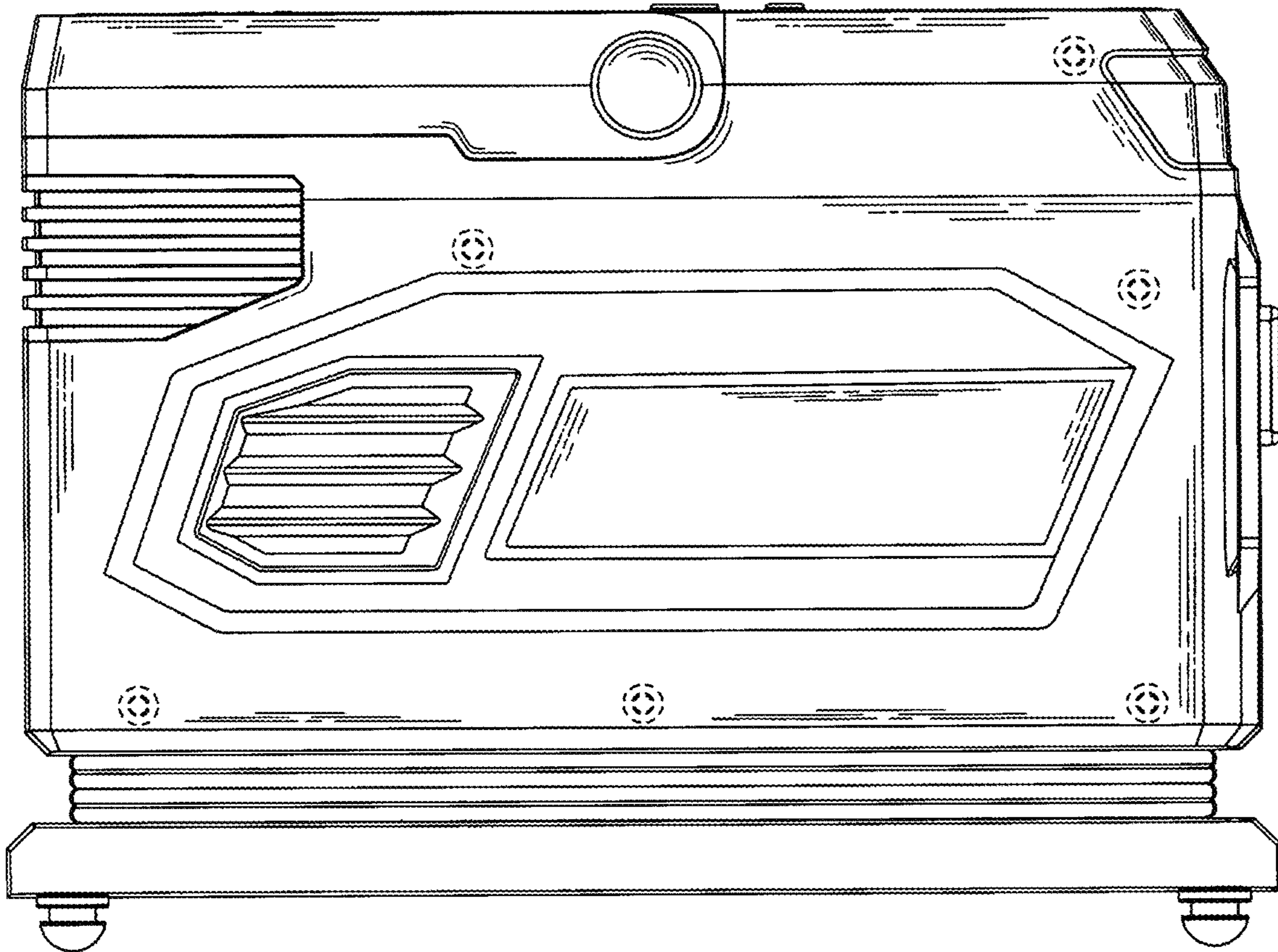


FIG. 4

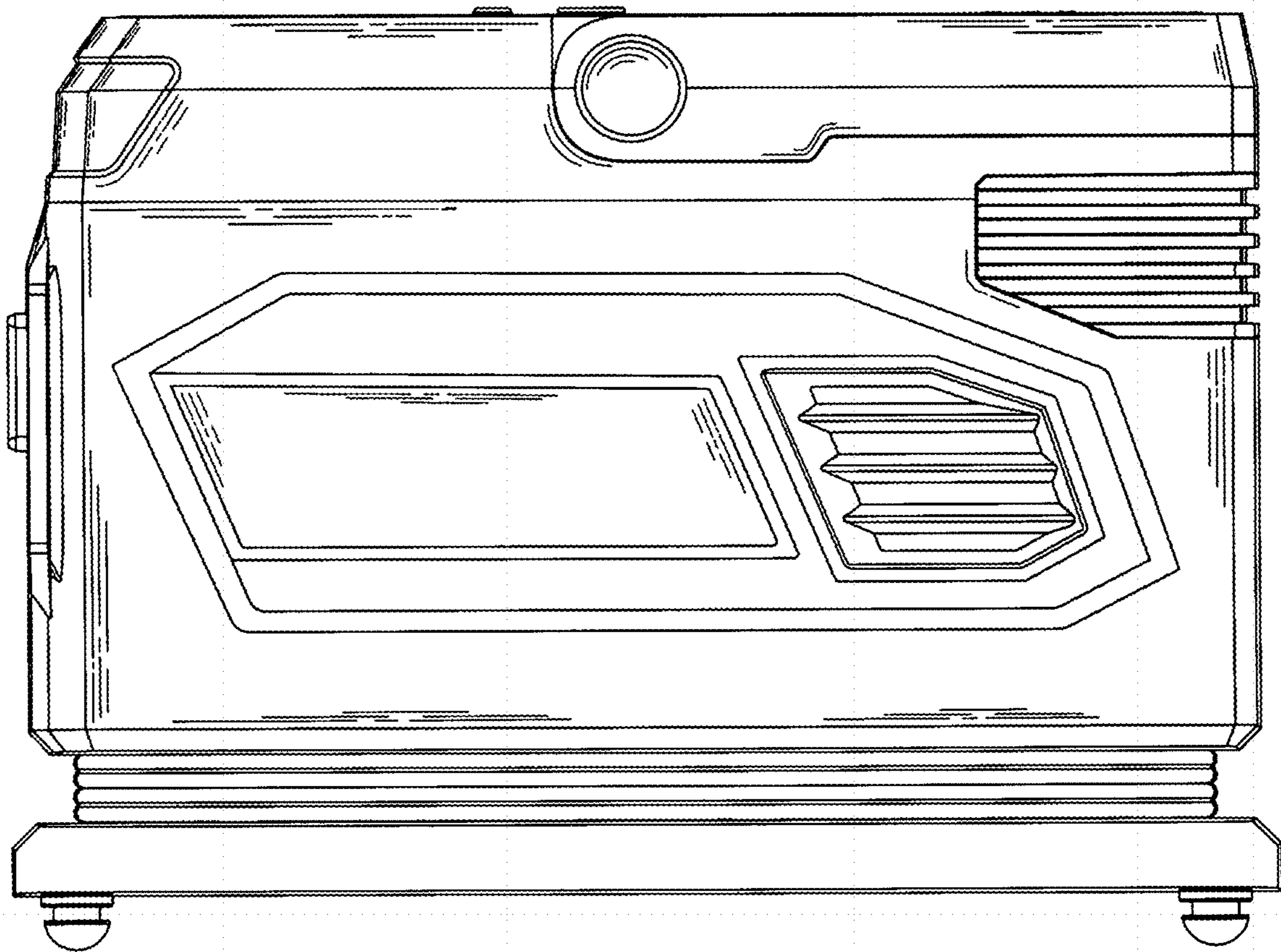


FIG. 5

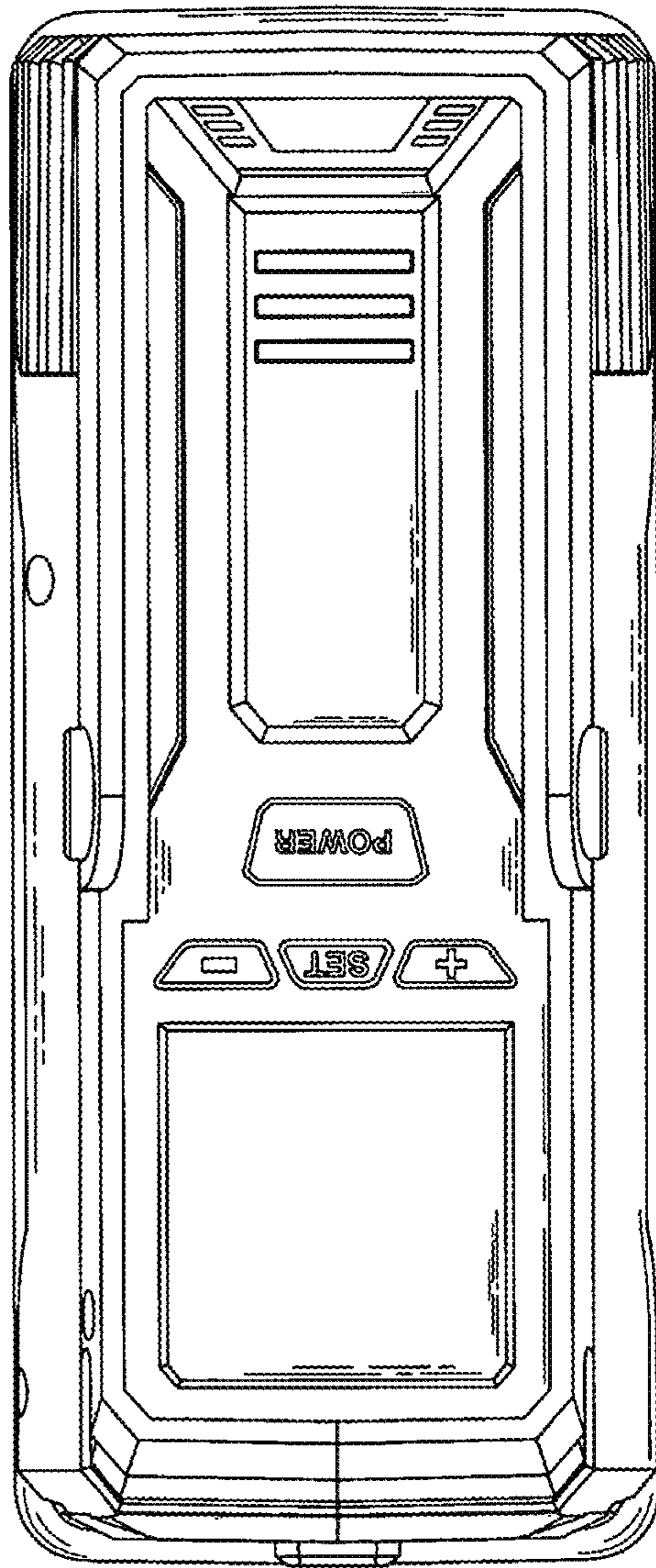


FIG. 6



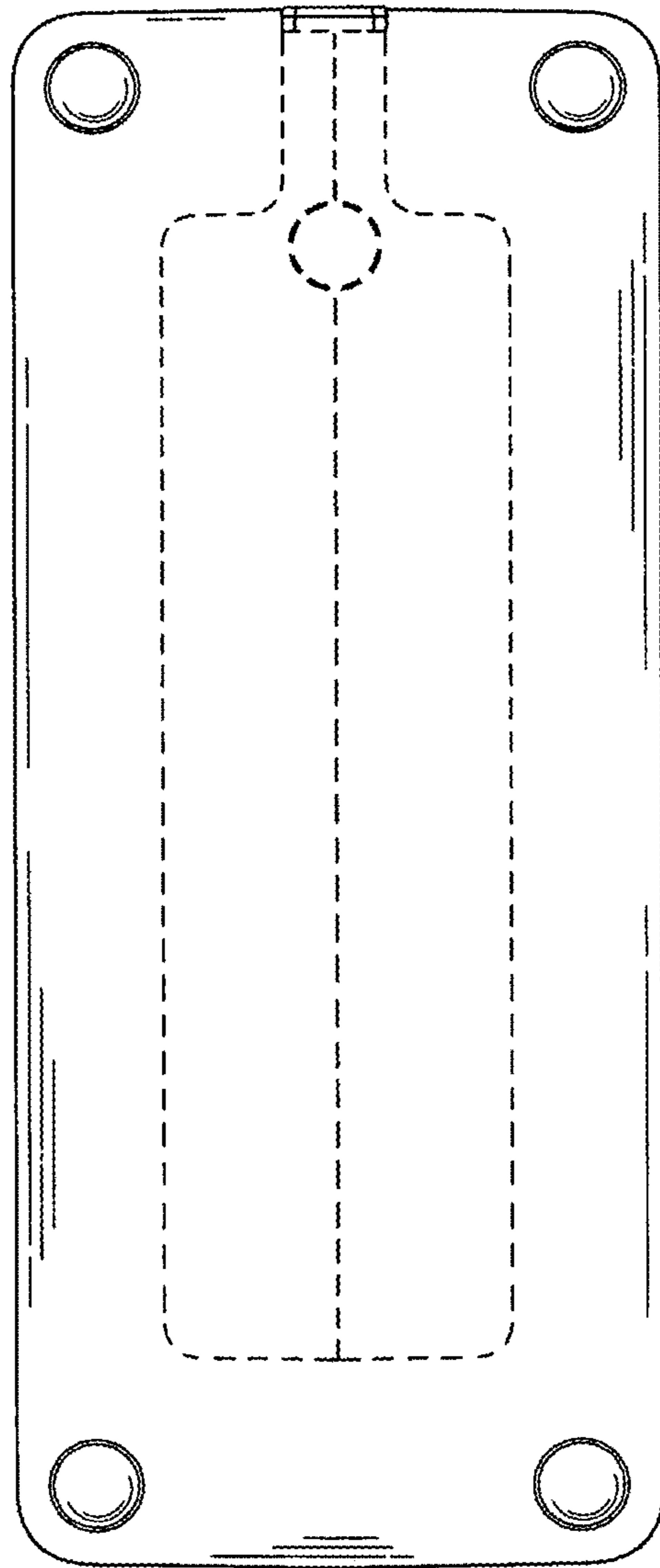


FIG. 7

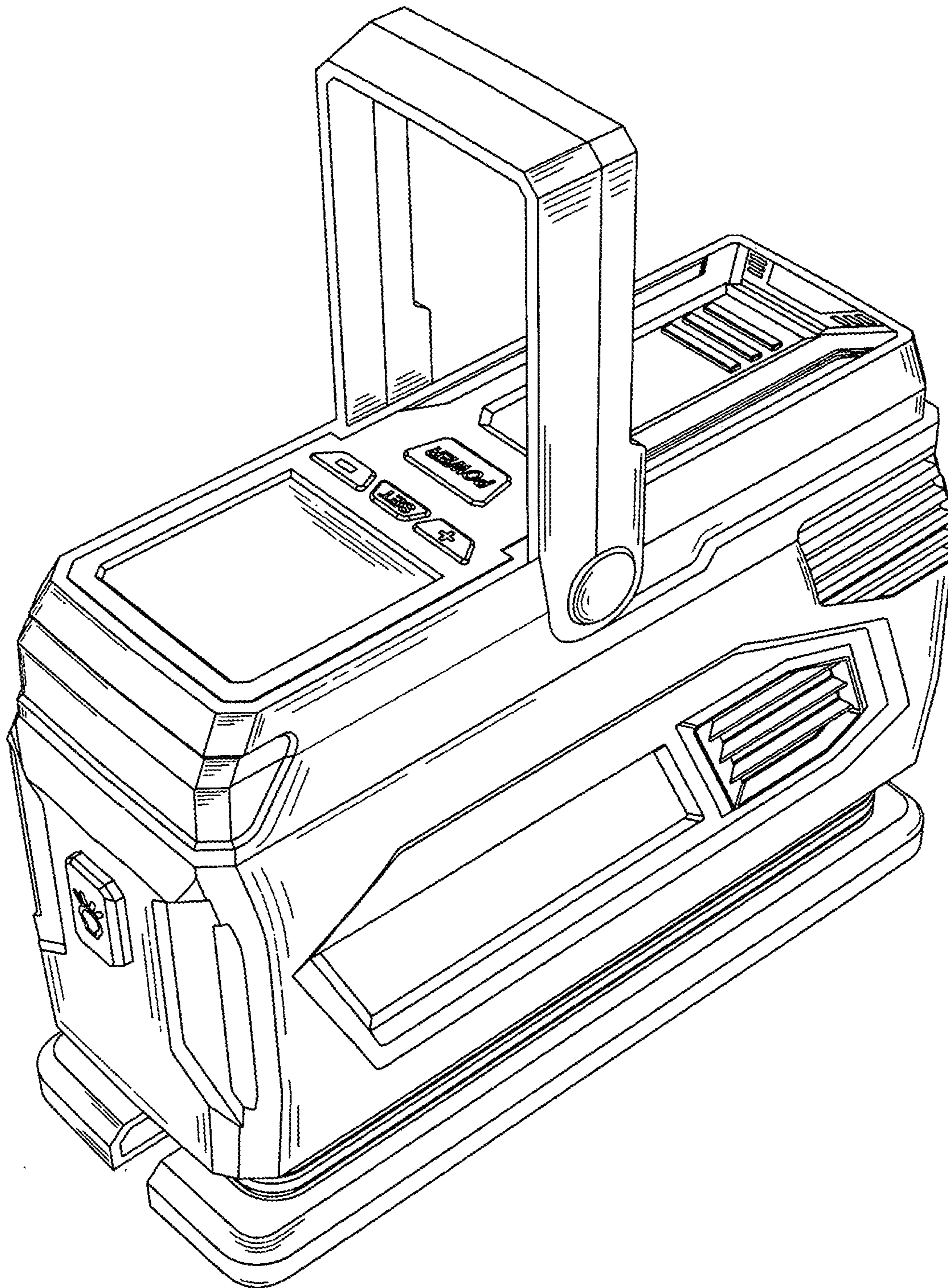


FIG. 8