

US00D917570S

(12) **United States Design Patent**
Kato et al.

(10) **Patent No.:** **US D917,570 S**

(45) **Date of Patent:** **** Apr. 27, 2021**

(54) **COMPRESSOR**

(71) Applicant: **Hitachi Industrial Equipment Systems Co., Ltd.**, Tokyo (JP)

(72) Inventors: **Fuminori Kato**, Tokyo (JP); **Hiroaki Saito**, Tokyo (JP); **Daichi Oka**, Tokyo (JP); **Yusuke Watabe**, Tokyo (JP); **Akihiro Yamamoto**, Tokyo (JP)

(73) Assignee: **Hitachi Industrial Equipment Systems Co., Ltd.**, Tokyo (JP)

(**) Term: **15 Years**

(21) Appl. No.: **29/681,454**

(22) Filed: **Feb. 26, 2019**

(30) **Foreign Application Priority Data**

Sep. 28, 2018 (JP) 2018-021381

(51) **LOC (13) Cl.** **15-02**

(52) **U.S. Cl.**
USPC **D15/7**

(58) **Field of Classification Search**
USPC D15/7-9; D24/111; D13/103; D23/231,
D23/232, 225
See application file for complete search history.

(56) **References Cited**

U.S. PATENT DOCUMENTS

D353,384 S * 12/1994 Ninomiya D15/7
D428,605 S * 7/2000 Claprod D13/184
D464,063 S * 10/2002 Thomas, Jr. D15/9
D466,521 S * 12/2002 Kumar D15/7
D486,835 S * 2/2004 Hsiao D15/9
D497,369 S * 10/2004 Govier D15/9
D499,745 S * 12/2004 Hsiao D15/9

D513,755 S * 1/2006 Begg D13/112
D538,826 S * 3/2007 Kienzle D15/9
D550,721 S * 9/2007 Tanaka D15/9
D552,626 S * 10/2007 Suthmann D15/9

(Continued)

Primary Examiner — Sheryl Lane

Assistant Examiner — Mark T. Philipps

(74) *Attorney, Agent, or Firm* — Crowell & Moring LLP

(57) **CLAIM**

The ornamental design for a compressor, as shown and described.

DESCRIPTION

FIG. 1 is a front, top and right side perspective view of a compressor according to the design;

FIG. 2 is a rear, top and left side perspective view thereof;

FIG. 3 is a front elevational view thereof;

FIG. 4 is a rear elevational view thereof;

FIG. 5 is a right side elevational view thereof;

FIG. 6 is a left side elevational view thereof;

FIG. 7 is a top plan view thereof;

FIG. 8 is a bottom plan view thereof;

FIG. 9 is a front, top and right side perspective view thereof showing the drawable tray portion in a moved position;

FIG. 10 is an enlarged view of the portion shown in BOX 10 in FIG. 1;

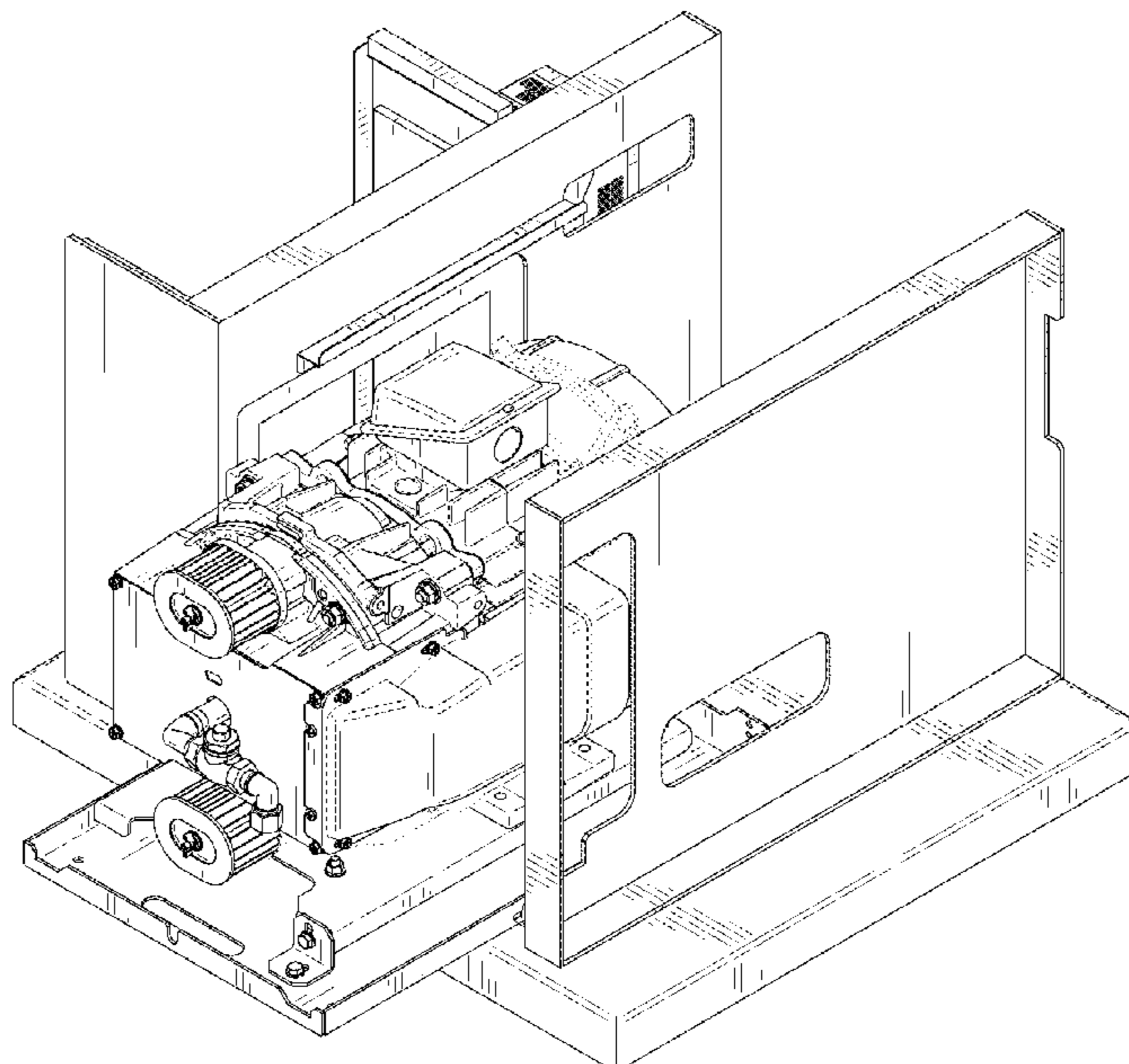
FIG. 11 is an enlarged view of the portion shown in BOX 11 in FIG. 2;

FIG. 12 is an enlarged view of the portion shown in BOX 12 in FIG. 2; and,

FIG. 13 is an enlarged view of the portion shown in BOX 13 in FIG. 2.

The broken lines illustrate portions of the compressor that form no part of the claimed design. The alternate long and short dash lines in FIGS. 1, 2, and 10-13 show the boundary of enlarged portions and form no part of the claimed design.

1 Claim, 10 Drawing Sheets



(56)

References Cited

U.S. PATENT DOCUMENTS

D604,822	S *	11/2009	Lee	D23/351
D613,635	S *	4/2010	Chu	D15/9
D622,737	S *	8/2010	Nagai	D15/9
D630,652	S *	1/2011	Yoshioka	D15/7
RE42,173	E *	3/2011	Suthmann	D15/9
D636,791	S *	4/2011	McAlpine	D15/7
D653,740	S *	2/2012	Satou	D23/351
D668,684	S *	10/2012	Noguchi	D15/9
D697,533	S *	1/2014	Desiron	D15/7
D735,244	S *	7/2015	Jeong	D15/9
D753,728	S *	4/2016	Ohta	D15/9
D777,213	S *	1/2017	Ohser	D15/9
D807,925	S *	1/2018	De Keyser	D15/9
D828,402	S *	9/2018	Sandkotter	D15/9
D828,403	S *	9/2018	Sandkotter	D15/9
D842,341	S *	3/2019	Shin	D15/9
10,227,981	B2 *	3/2019	Kanaizumi	F04C 23/001
D868,841	S *	12/2019	Zaytsev	D15/9
D877,545	S *	3/2020	Suthmann	D6/669
2013/0000327	A1 *	1/2013	Olson, Jr.	F25C 1/12 62/78
2017/0051733	A1 *	2/2017	Mistry	F04B 17/05

* cited by examiner

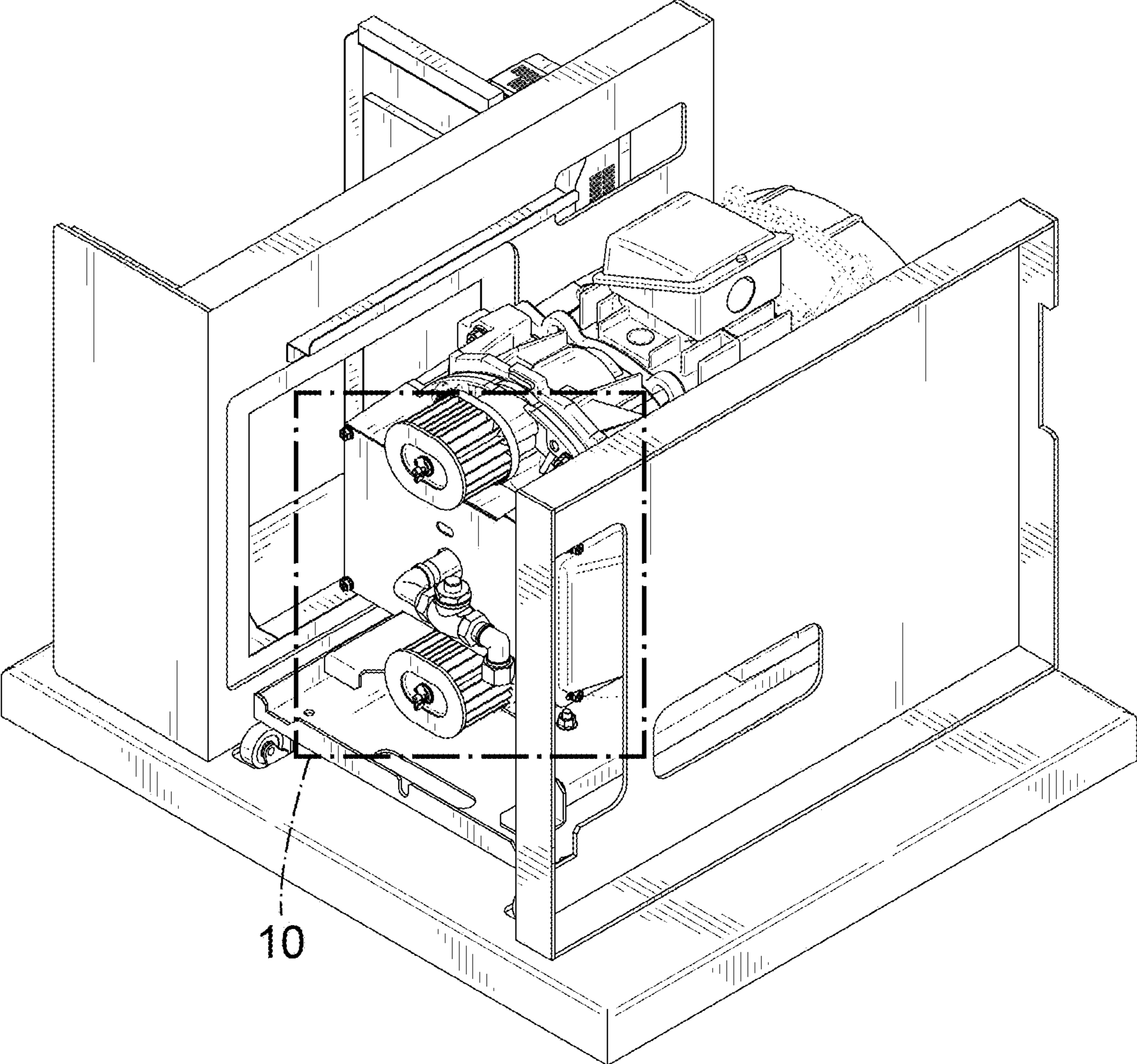


FIG. 1

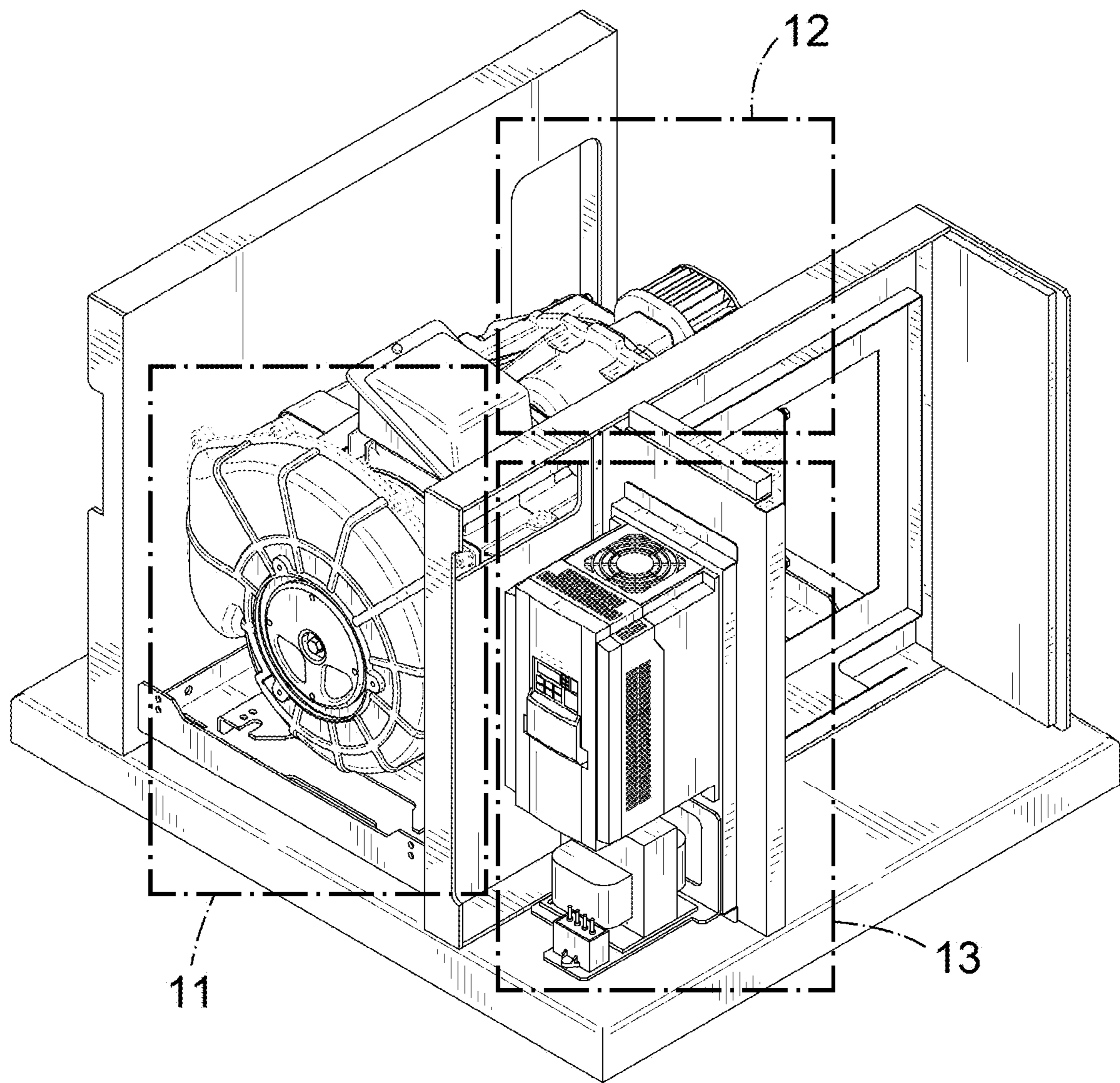


FIG. 2

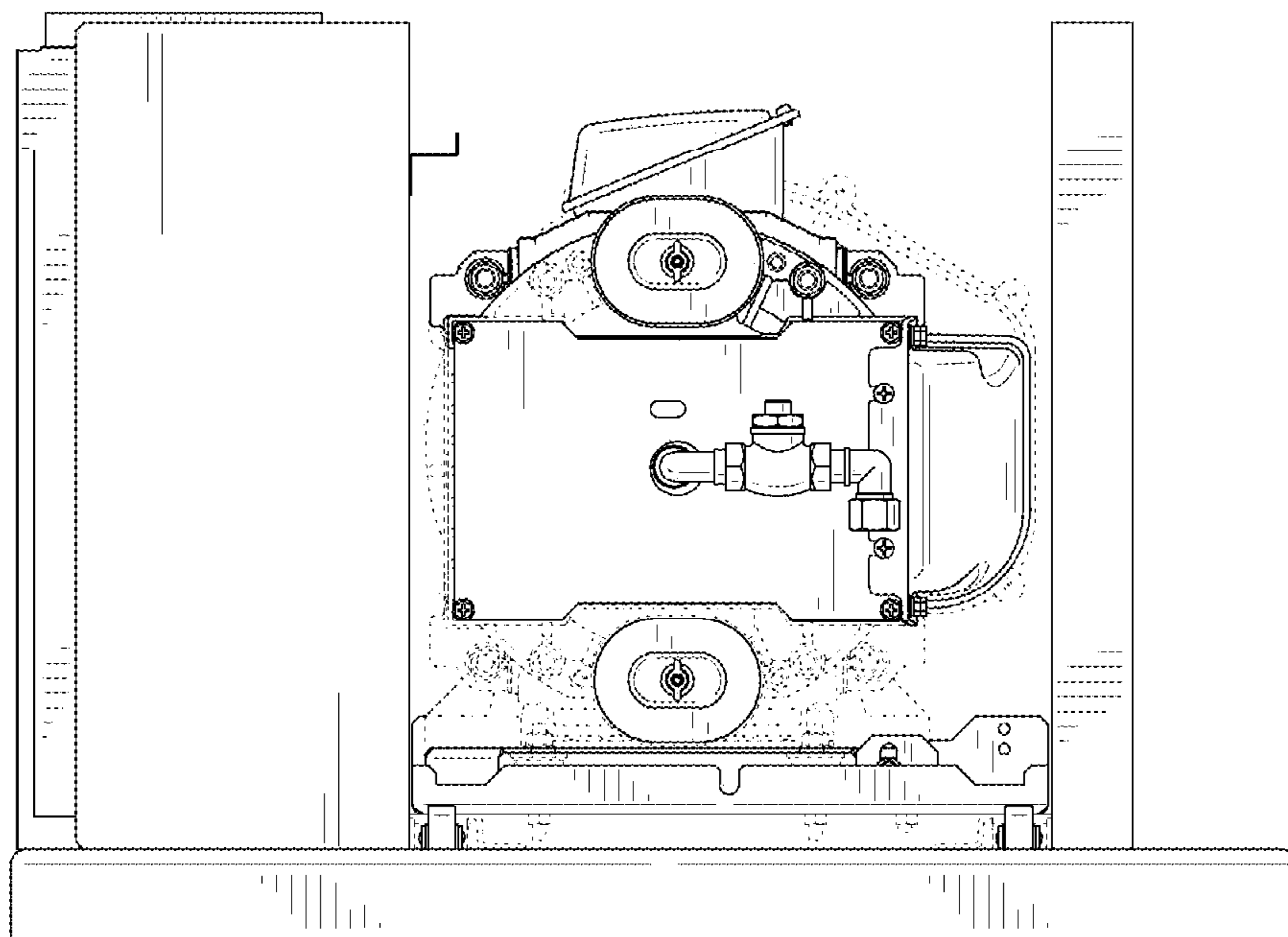


FIG. 3

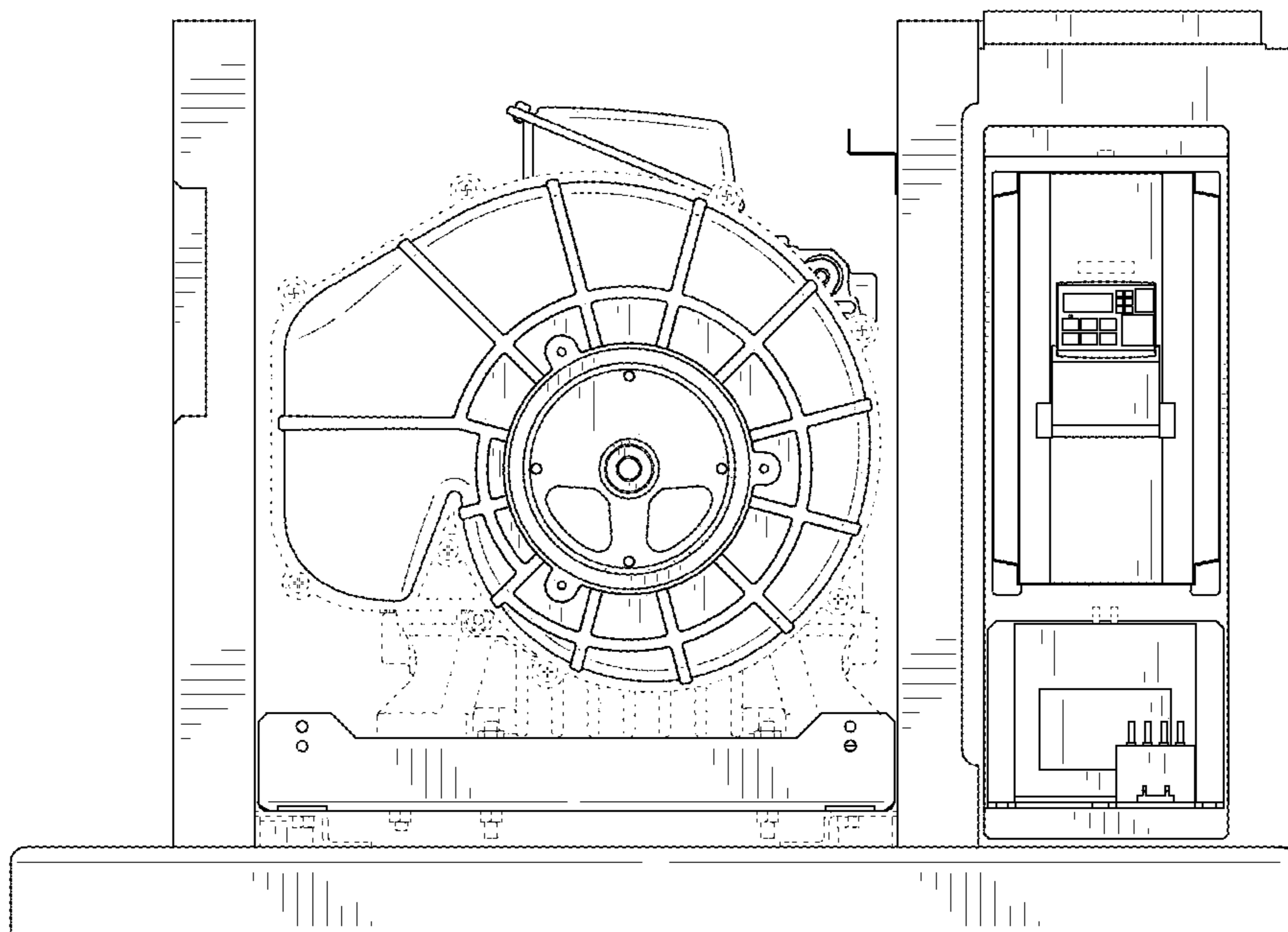


FIG. 4

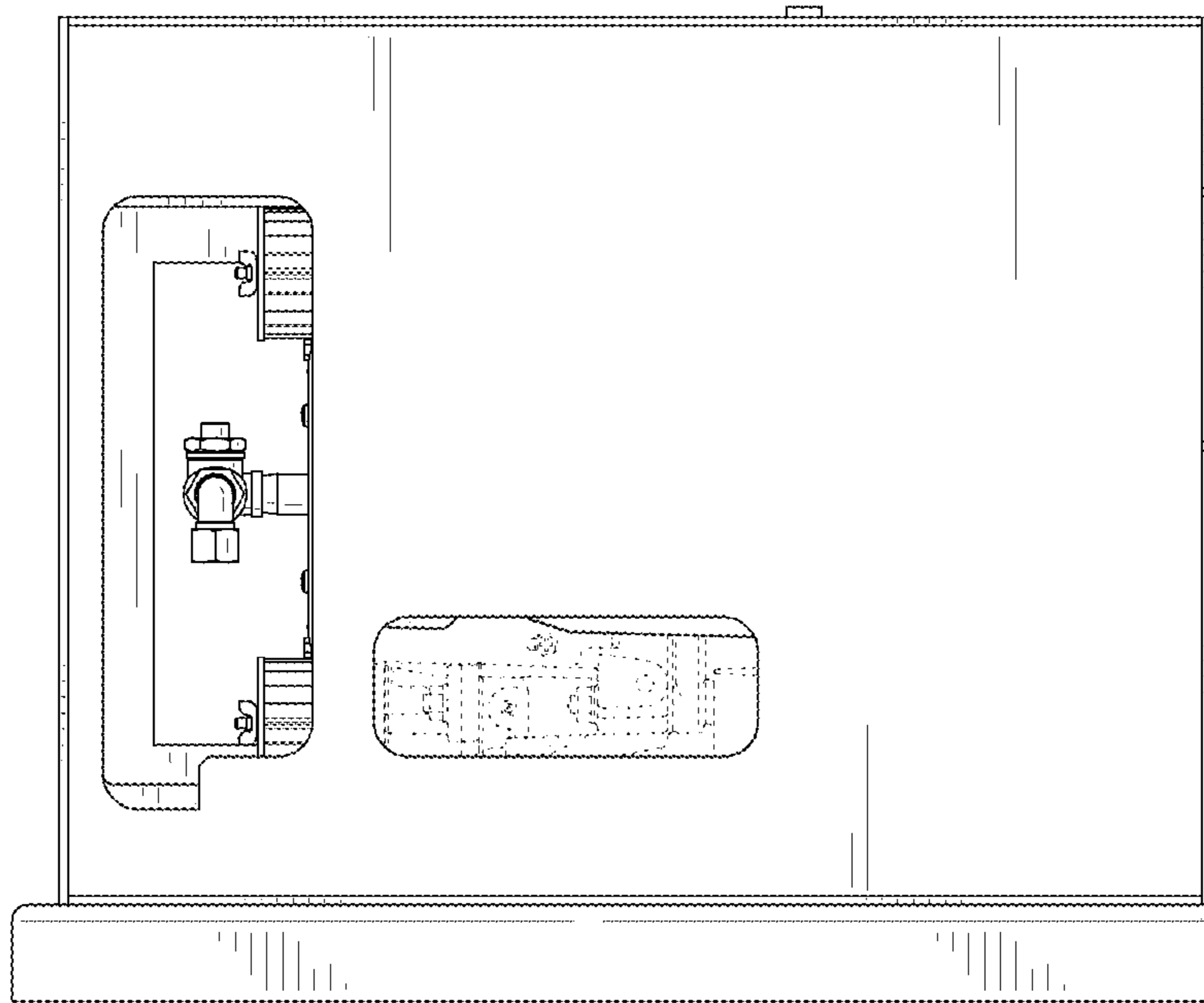


FIG. 5

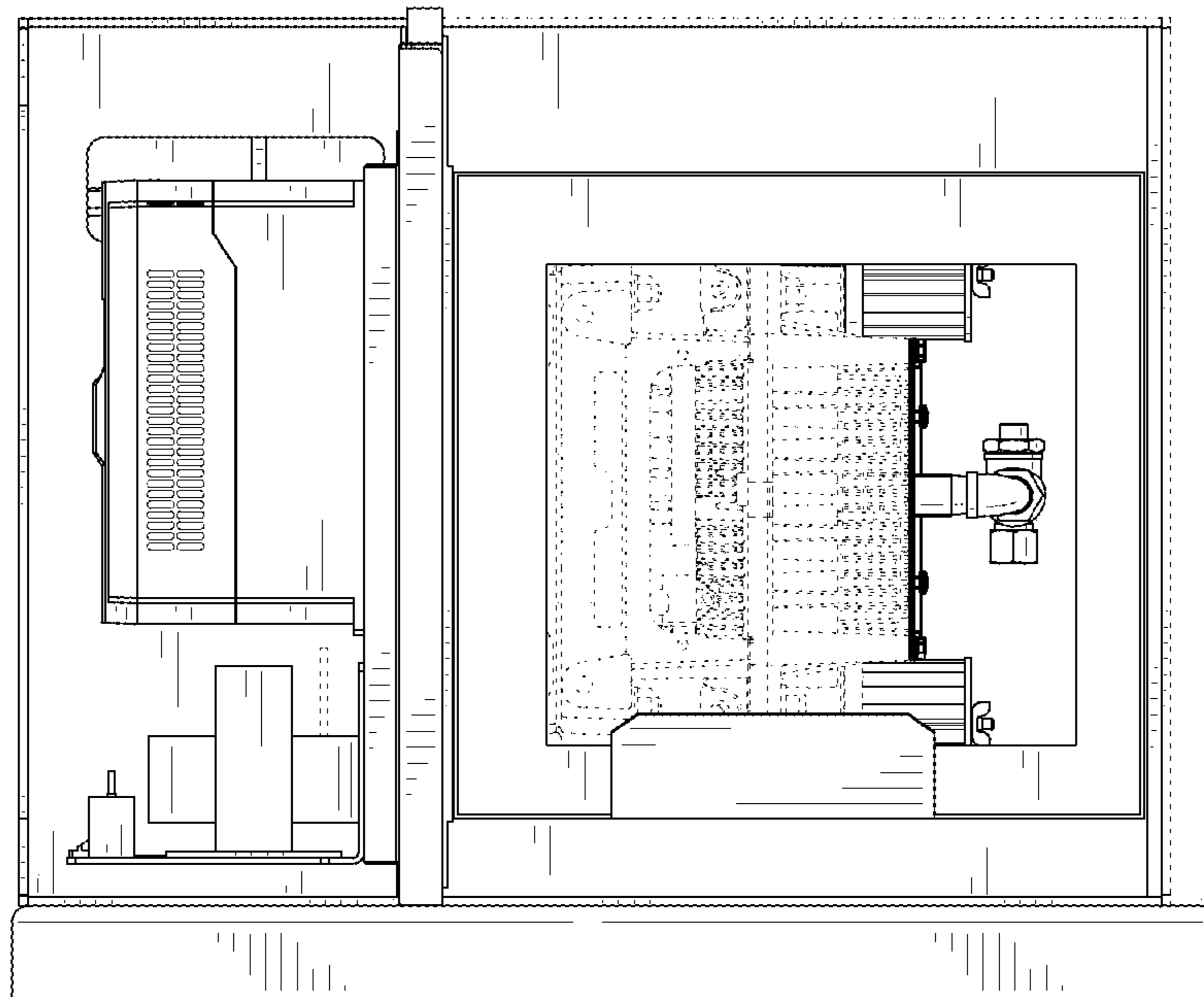


FIG. 6

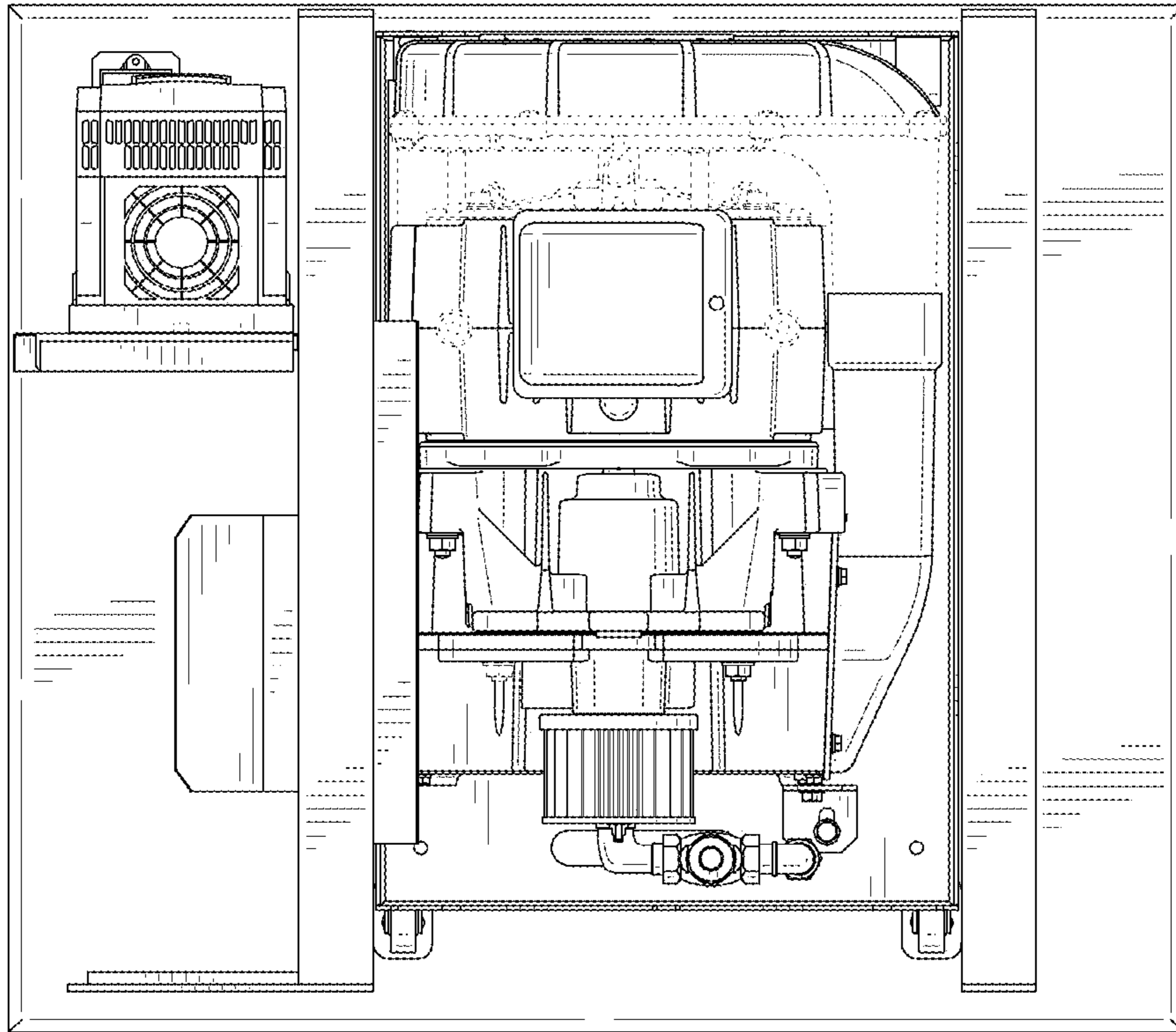


FIG. 7

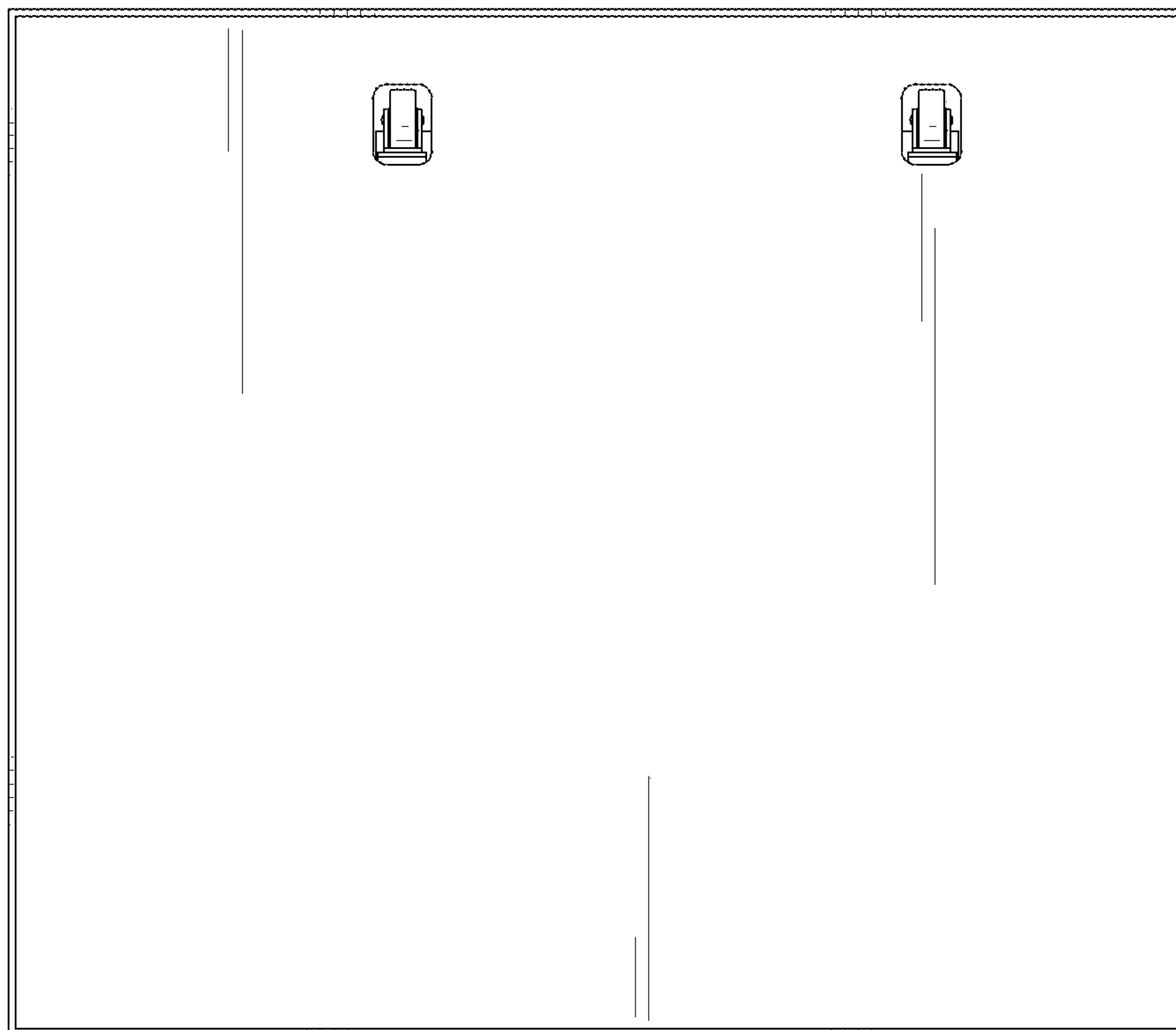


FIG. 8

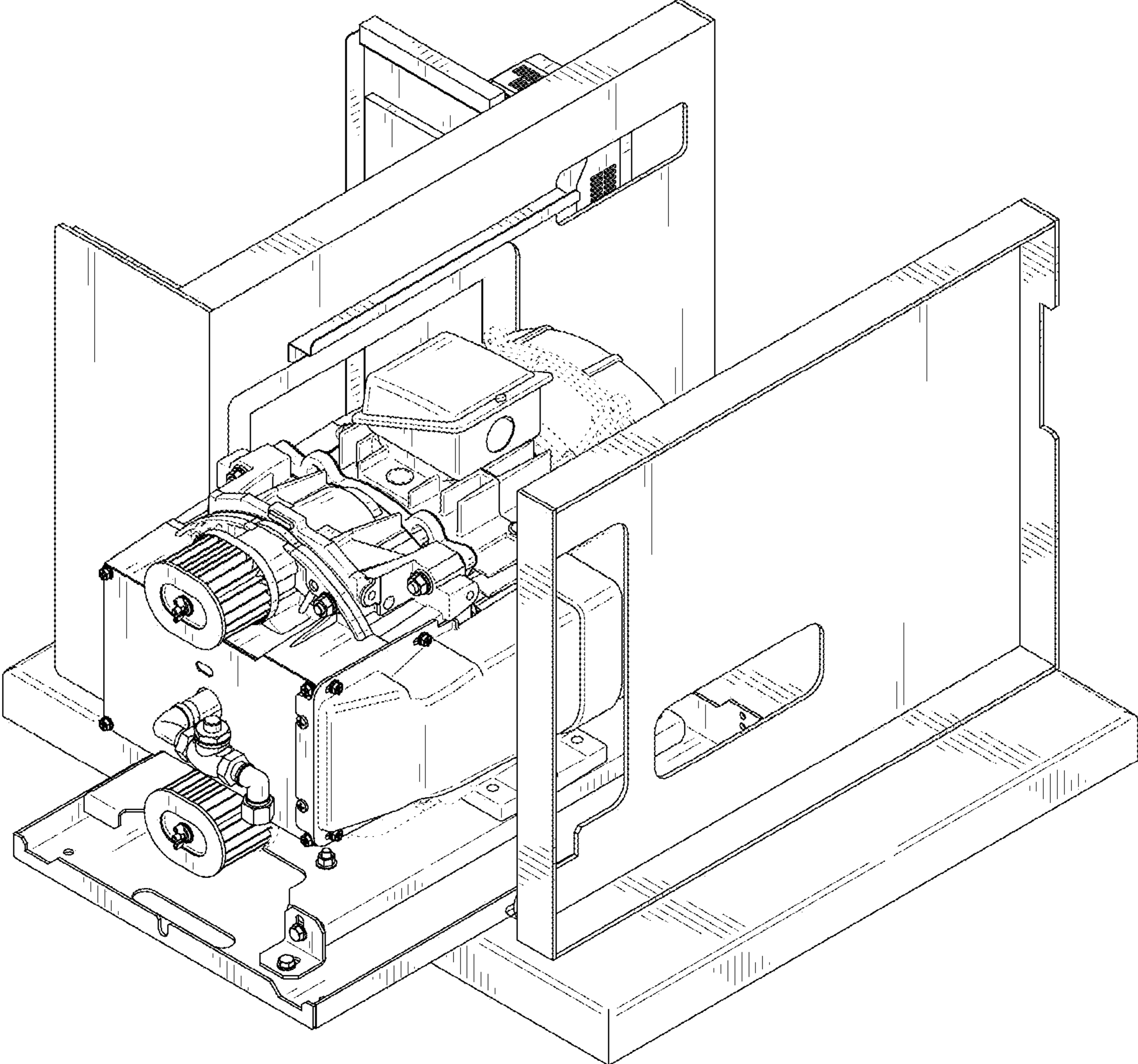


FIG. 9

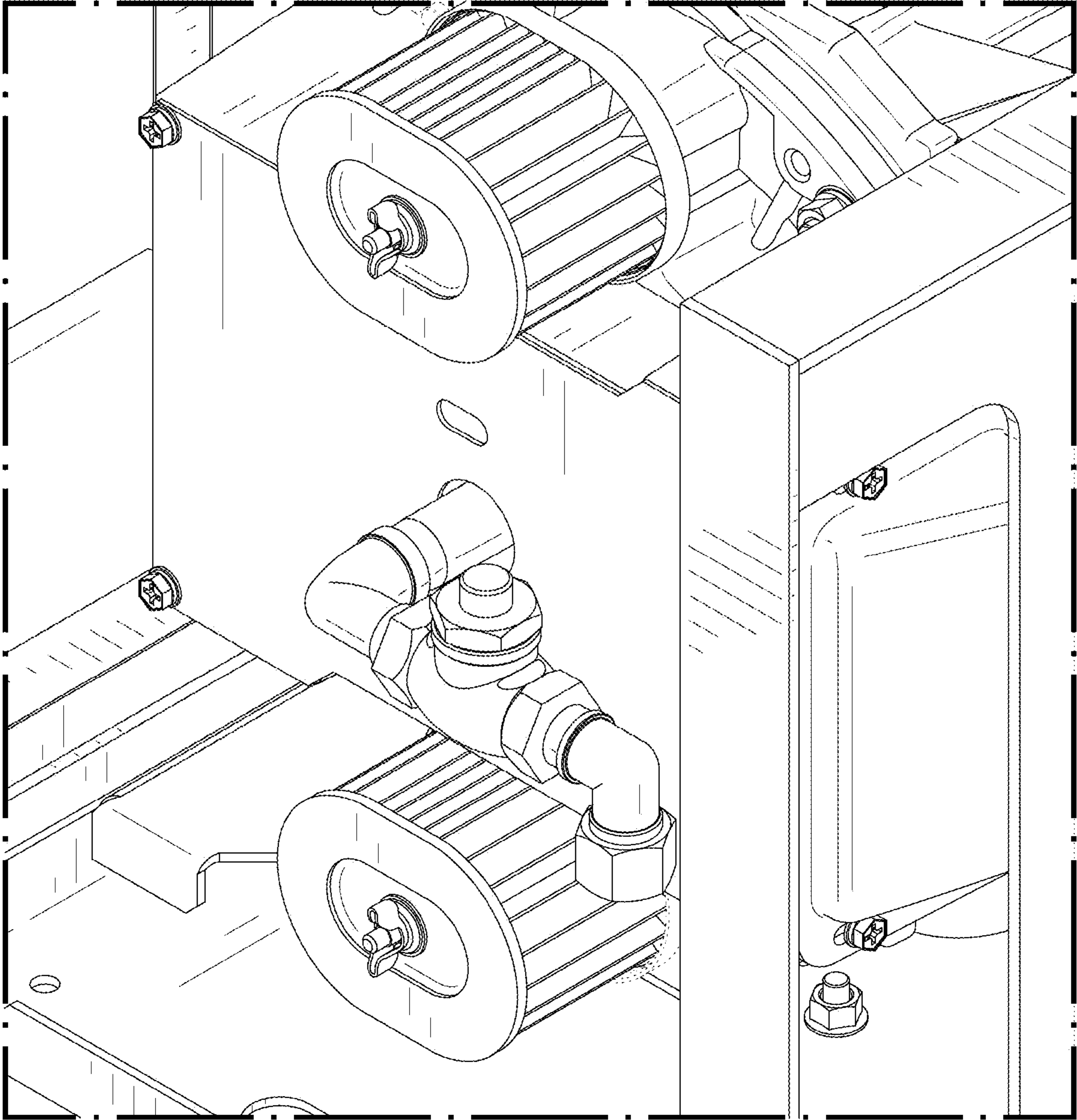


FIG. 10

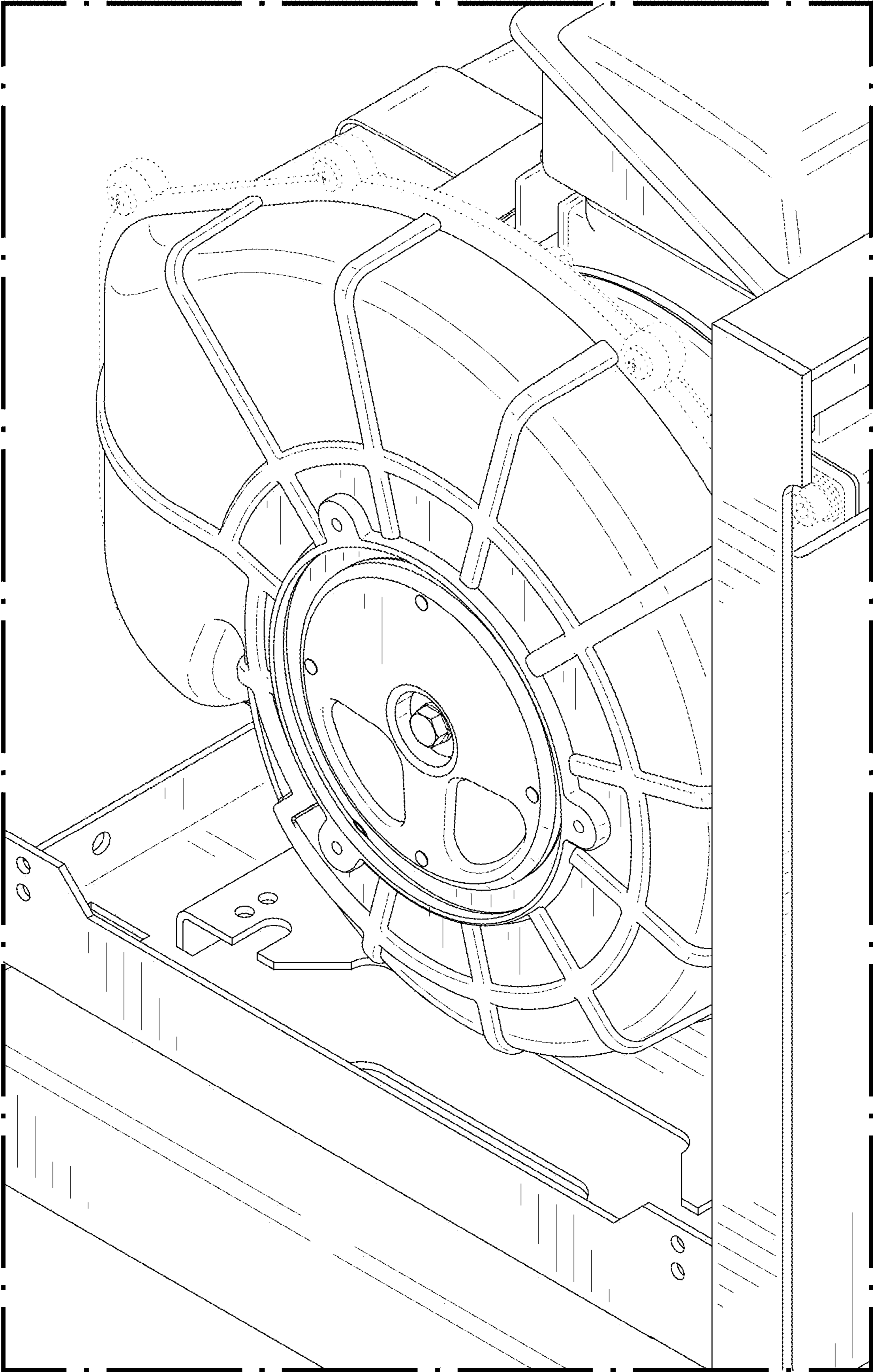


FIG. 11

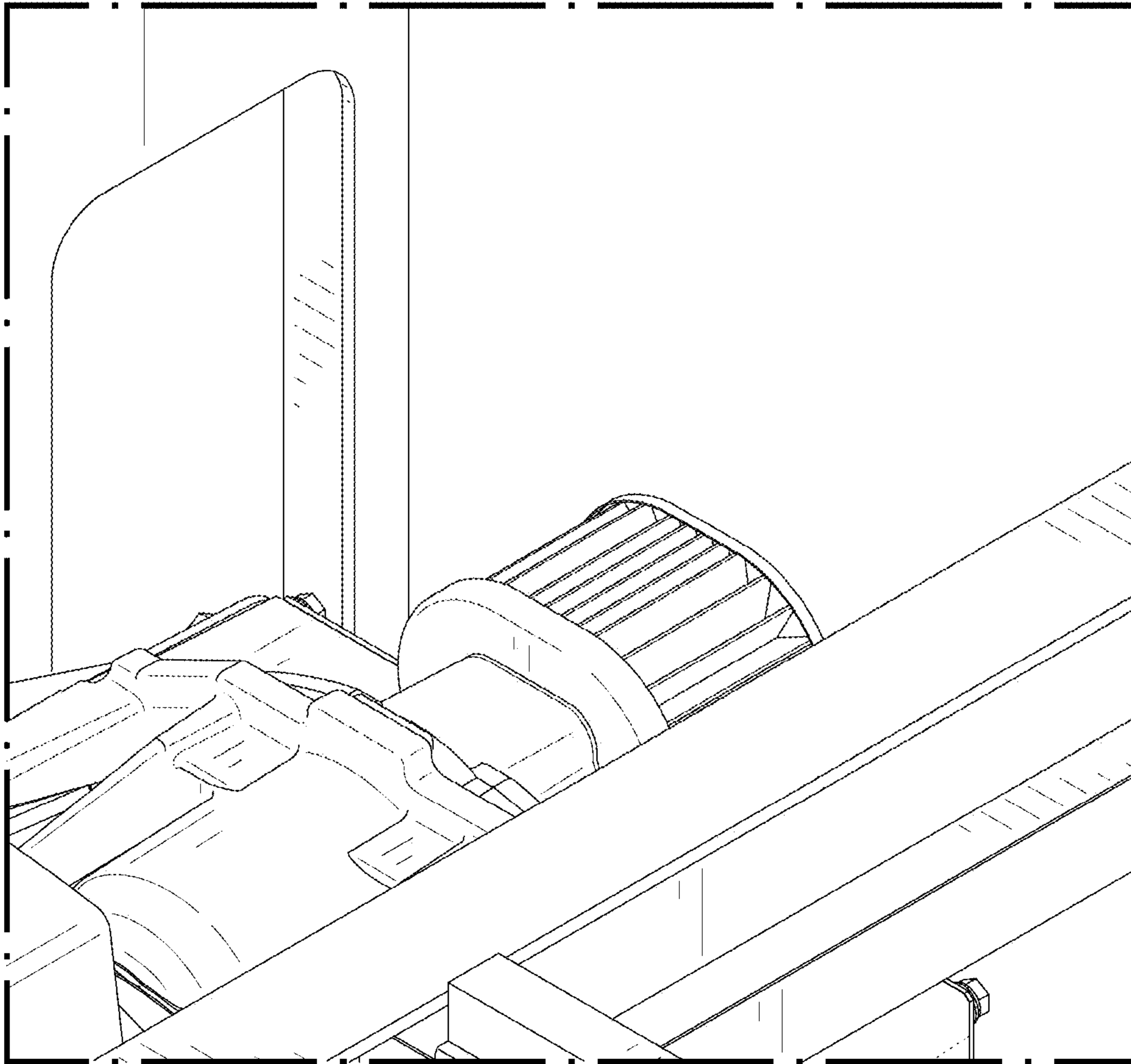


FIG. 12

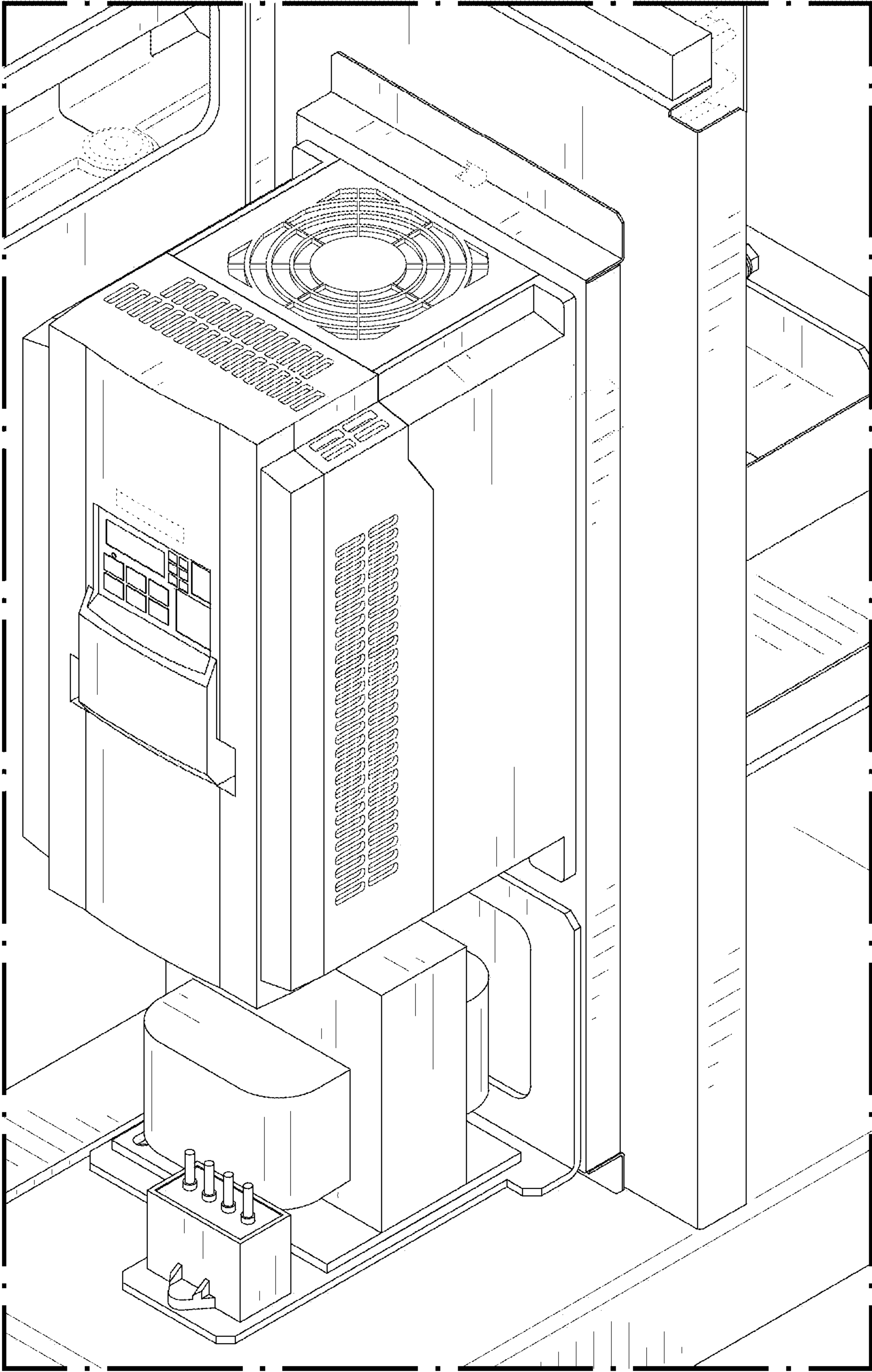


FIG. 13