



US00D917567S

(12) **United States Design Patent**
Hamburger et al.

(10) **Patent No.:** **US D917,567 S**

(45) **Date of Patent:** **** Apr. 27, 2021**

(54) **SUPERCHARGER SYSTEM**

(71) Applicant: **Hamburger's Specialty Vehicles, Inc.**,
Toms River, NJ (US)

(72) Inventors: **Edward Hamburger**, Toms River, NJ
(US); **David Goral**, Bayville, NJ (US);
Henry Daniecki, Cream Ridge, NJ
(US)

(73) Assignee: **Hamburger's Specialty Vehicles, Inc.**,
Toms River, NJ (US)

(**) Term: **15 Years**

(21) Appl. No.: **29/715,521**

(22) Filed: **Dec. 3, 2019**

Related U.S. Application Data

(62) Division of application No. 29/658,390, filed on Jul.
31, 2018, now Pat. No. Des. 872,769.

(51) **LOC (13) Cl.** **15-01**

(52) **U.S. Cl.**
USPC **D15/5**

(58) **Field of Classification Search**
USPC D15/1-5
CPC F01D 9/026; F02B 37/183; F02B 29/0412;
F02B 29/0437; F02B 33/36; F02B 27/00;
F02B 33/44; F02B 61/02; F02M
35/10157; F02M 35/116; F02M 35/161;
F02M 35/10039; F02M 35/10045; F02M
35/10144; F02M 35/10268

See application file for complete search history.

(56) **References Cited**

U.S. PATENT DOCUMENTS

D808,436 S *	1/2018	Hamburger	D15/5
D811,438 S *	2/2018	Hamburger	D15/5
D816,718 S *	5/2018	Benjey	D15/5
D835,157 S *	12/2018	Hamburger	D15/5
2017/0218891 A1 *	8/2017	Zoner	F02B 33/36

* cited by examiner

Primary Examiner — Ania Aman

(74) *Attorney, Agent, or Firm* — MacMillan, Sobanski &
Todd, LLC

(57) **CLAIM**

The ornamental design for a supercharger system, as shown
and described.

DESCRIPTION

FIG. 1 is a perspective view of a supercharger system
according to the design;

FIG. 2 is a front elevational view thereof;

FIG. 3 is a rear elevational view thereof;

FIG. 4 is a right side elevational view thereof;

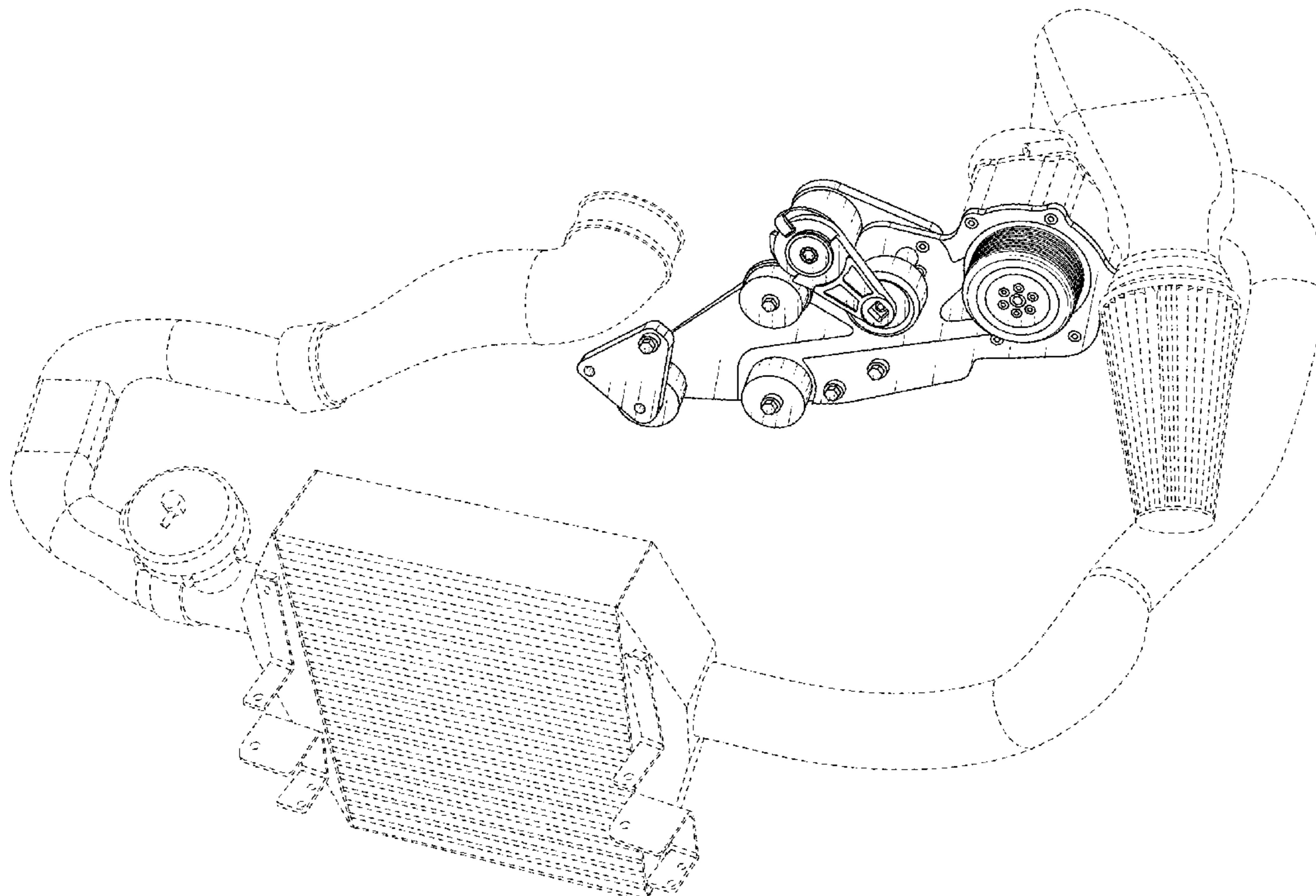
FIG. 5 is a left side elevational view thereof;

FIG. 6 is a top plan view thereof; and,

FIG. 7 is a bottom plan view thereof.

The broken lines shown in the drawings are for the purposes
of illustrating portions of the article that form no part of the
claimed design.

1 Claim, 6 Drawing Sheets



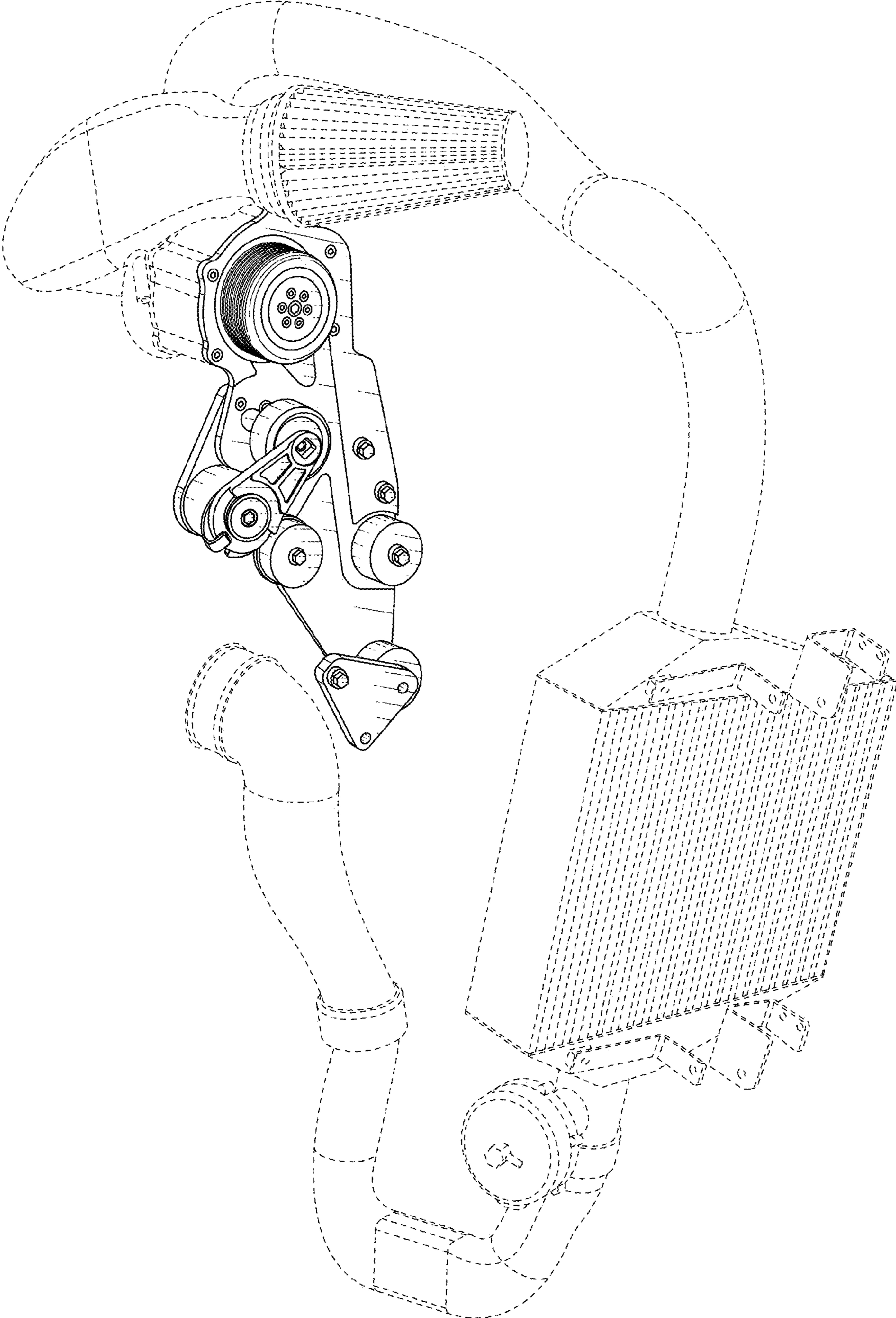


FIG. 1

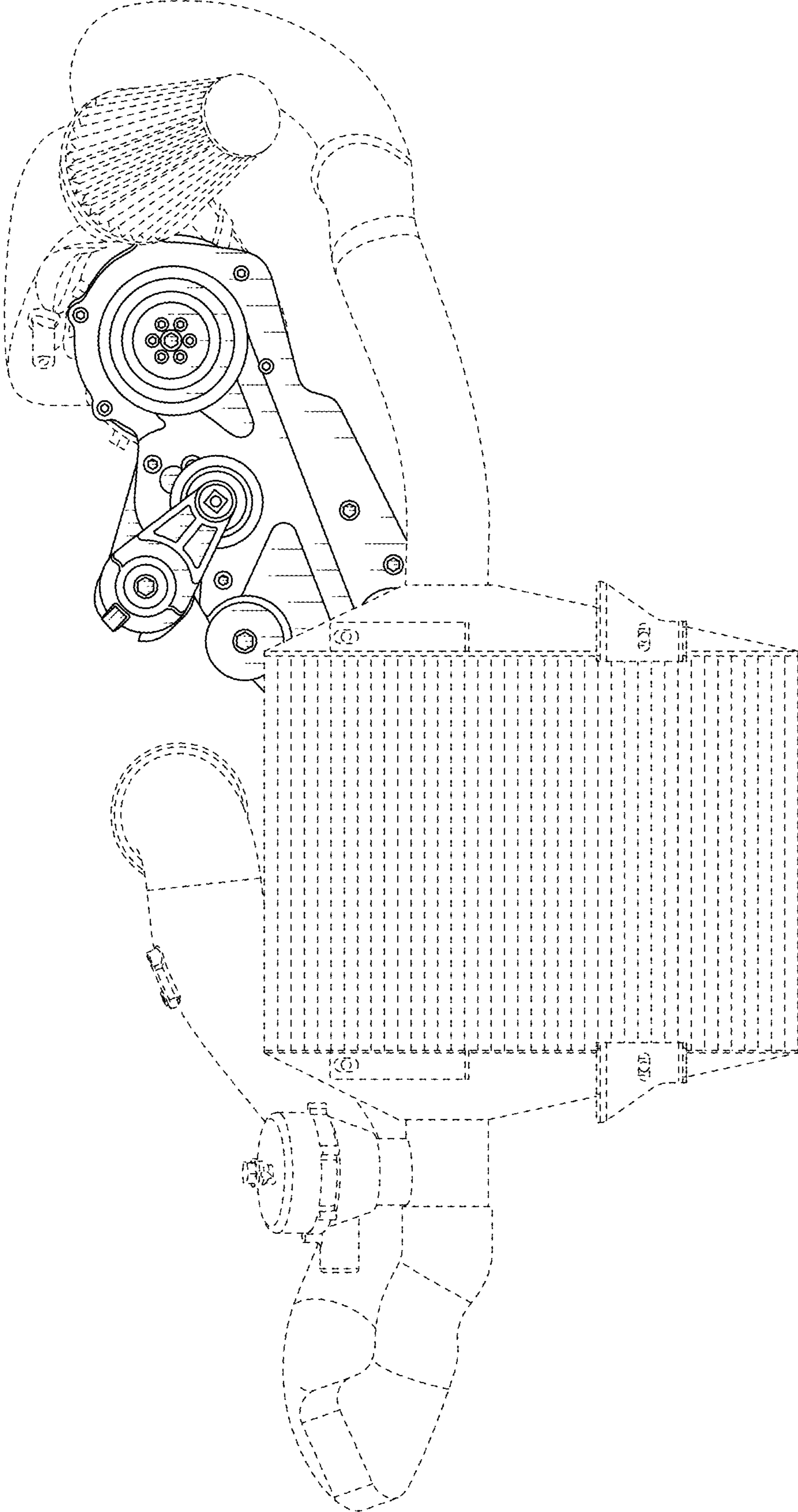


FIG. 2

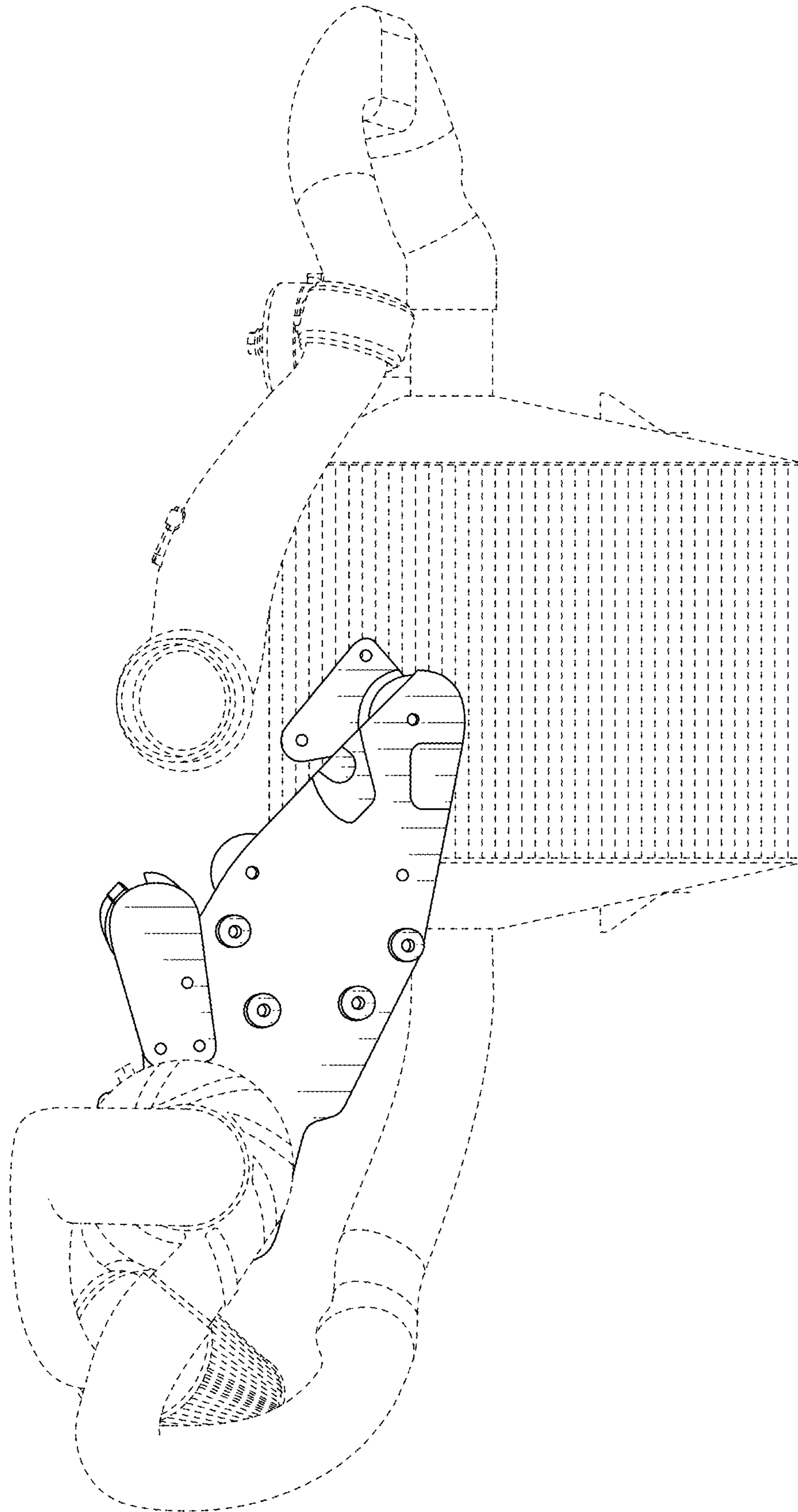


FIG. 3

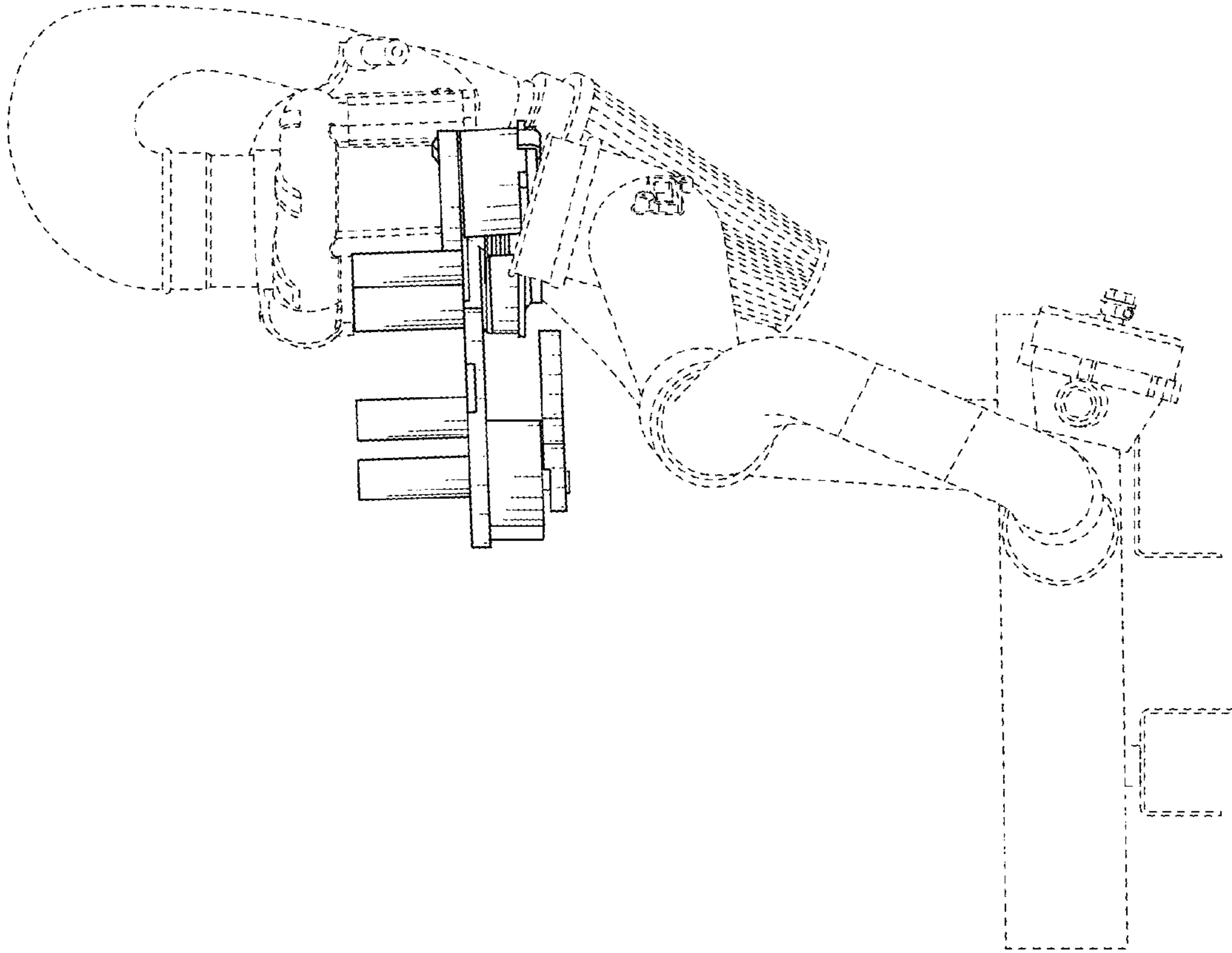


FIG. 4

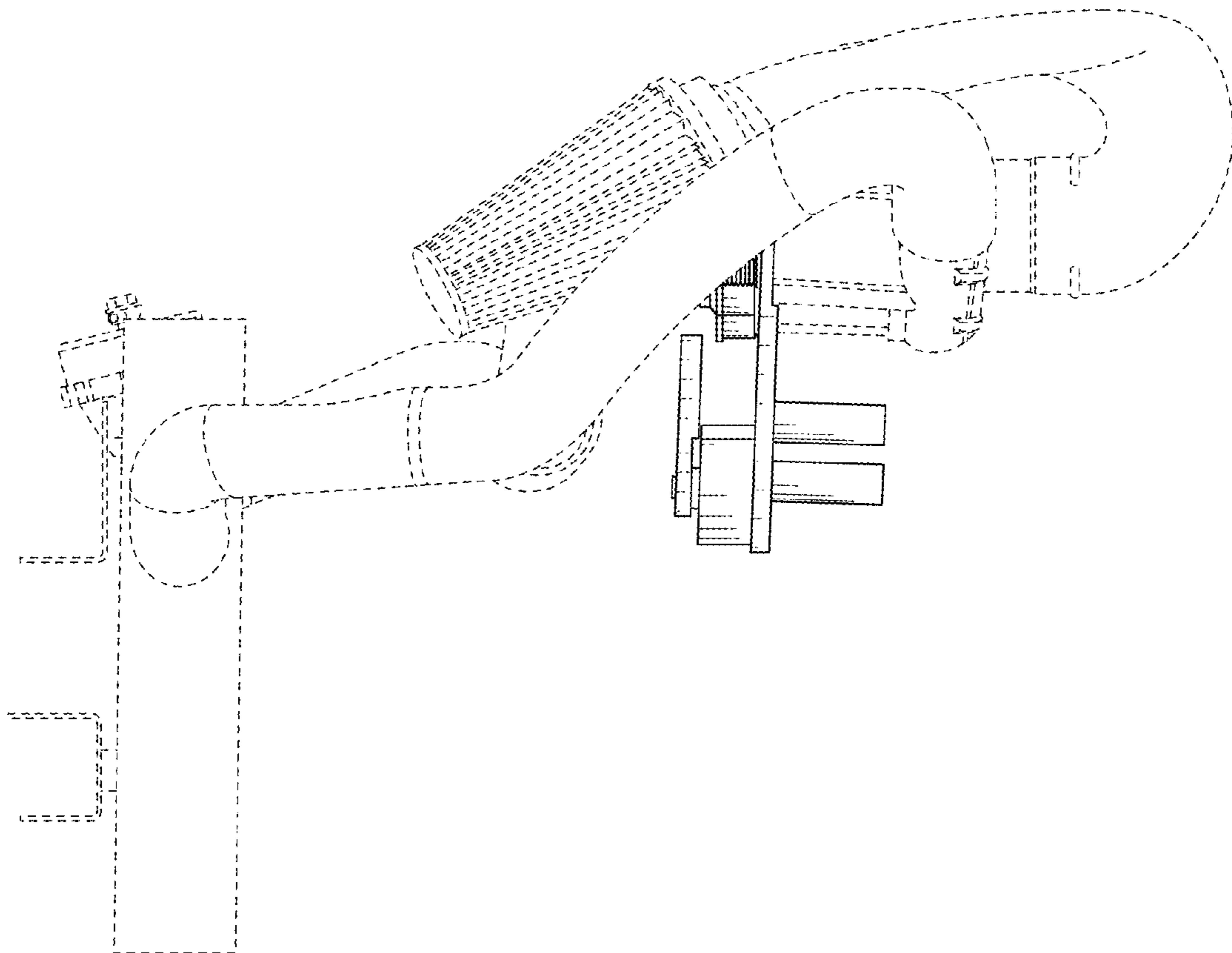


FIG. 5

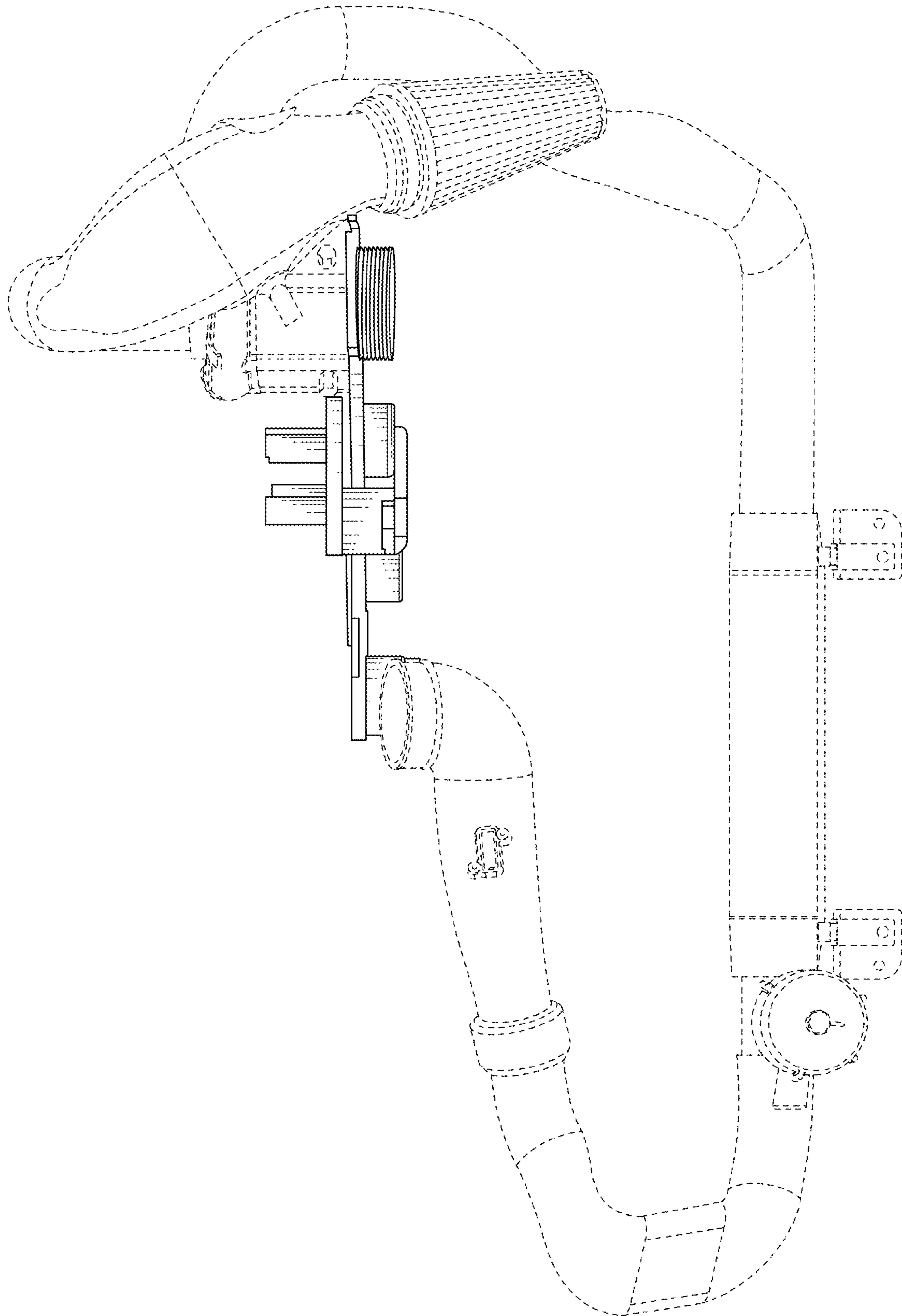


FIG. 6

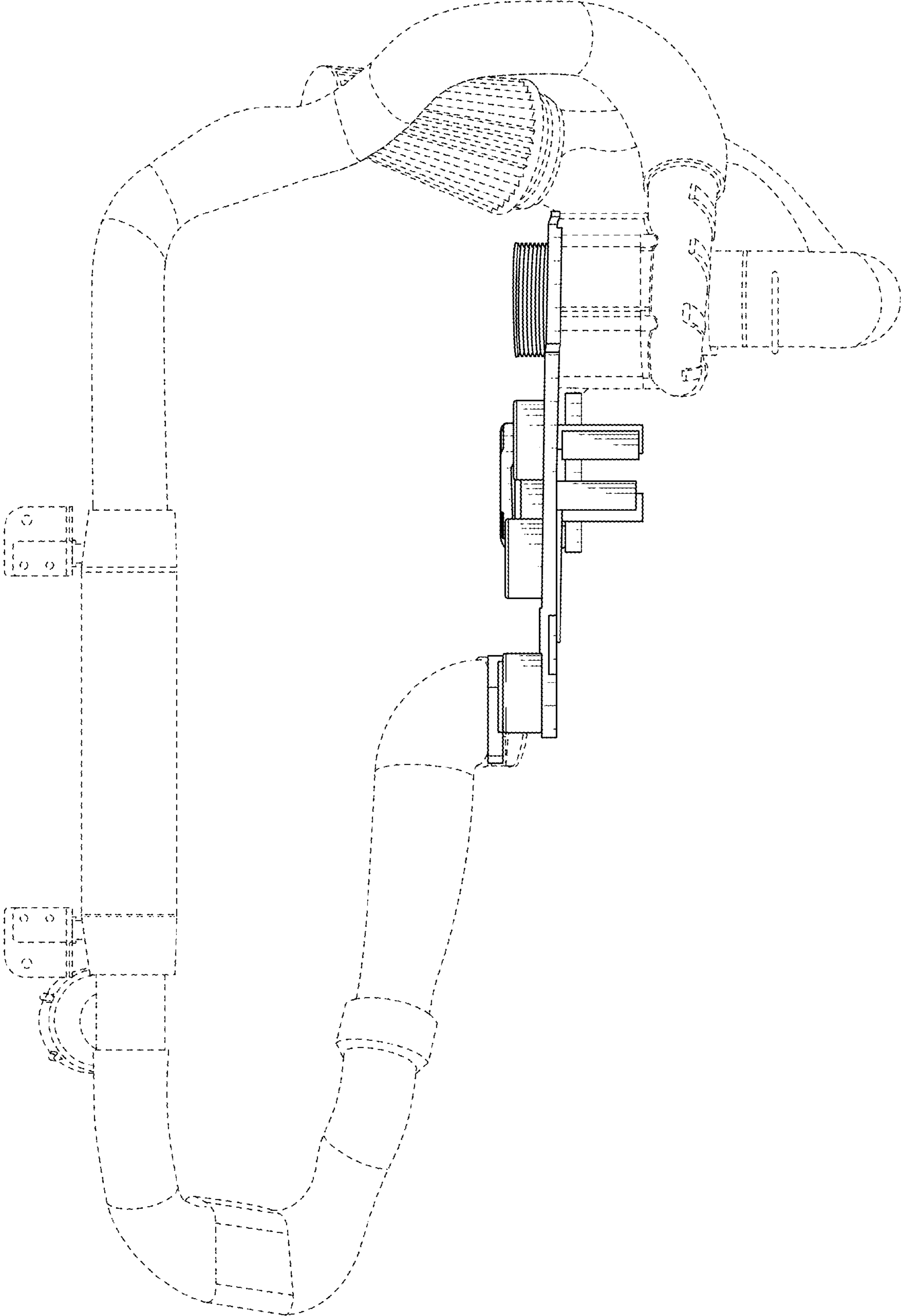


FIG. 7