



US00D917566S

(12) **United States Design Patent** (10) **Patent No.:** **US D917,566 S**
Collins et al. (45) **Date of Patent:** **** Apr. 27, 2021**

(54) **ENGINE INTAKE MANIFOLD**
(71) Applicant: **RB Distribution, Inc.**, Colmar, PA (US)
(72) Inventors: **Timothy Collins**, Colmar, PA (US); **Donald Carbone**, Rochester Hills, MI (US); **Patrick Kennedy**, Perkasie, PA (US); **Michael Capko**, Harleysville, PA (US)
(73) Assignee: **RB Distribution, Inc.**, Colmar, PA (US)

D677,699 S * 3/2013 Finnican D15/5
D680,132 S * 4/2013 Finnican D15/5
8,567,366 B2 * 10/2013 Reese F02M 35/10039
123/184.21
D697,943 S * 1/2014 Capko D15/5
D700,621 S * 3/2014 Capko D15/5
D733,187 S * 6/2015 Bink D15/5
D737,862 S * 9/2015 Finnican D15/5
D765,142 S * 8/2016 Hunter D15/5
D770,535 S * 11/2016 Carbone D15/5
D774,100 S * 12/2016 Bink D15/5
D788,173 S * 5/2017 Hsu D15/5
D794,681 S * 8/2017 Newman D15/5
D794,682 S * 8/2017 Newman D15/5

(Continued)

(**) Term: **15 Years**

Primary Examiner — Michael C Stout

Assistant Examiner — Fritzgerald L Butac

(21) Appl. No.: **29/607,409**

(74) *Attorney, Agent, or Firm* — Volpe Koenig

(22) Filed: **Jun. 13, 2017**

(57) **CLAIM**

(51) **LOC (13) Cl.** **15-01**
(52) **U.S. Cl.**
USPC **D15/5**

The ornamental design for an engine intake manifold, as shown and described.

(58) **Field of Classification Search**
USPC D12/194; D13/147; D15/1-6, 14, 17, D15/143, 147, 149; D23/233
CPC F02M 35/048; F02M 35/10137; F02M 35/1255; F02M 35/161; F02B 29/0475
See application file for complete search history.

DESCRIPTION

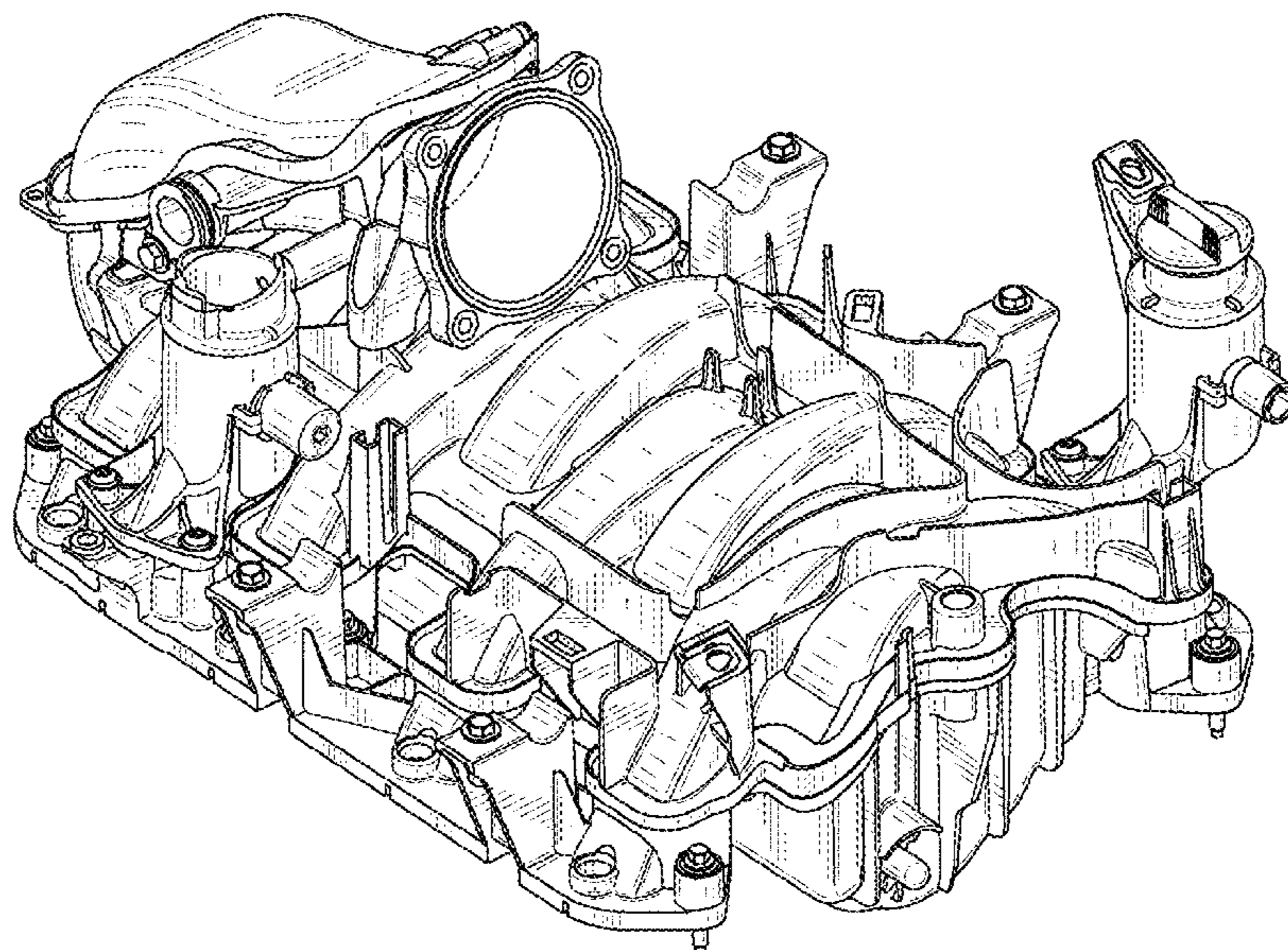
(56) **References Cited**

U.S. PATENT DOCUMENTS

D321,888 S * 11/1991 Brotherton D15/5
D405,095 S * 2/1999 Wada D15/5
D465,790 S * 11/2002 Magnuson D15/5
D533,194 S * 12/2006 Cimburra D15/5
D580,457 S * 11/2008 Bender D15/5
D654,094 S * 2/2012 Dralle D15/5
D665,821 S * 8/2012 Capko D15/5
D673,977 S * 1/2013 Hsu D15/5
D673,978 S * 1/2013 Hsu D15/5
D673,979 S * 1/2013 Finnican D15/5

FIG. 1 is a perspective view of an engine intake manifold according to our invention;
FIG. 2 is a left side view of our engine intake manifold shown in FIG. 1;
FIG. 3 is a right side view of our engine intake manifold shown in FIG. 1;
FIG. 4 is a front elevation view of our engine intake manifold shown in FIG. 1;
FIG. 5 is a rear elevation view of our engine intake manifold shown in FIG. 1;
FIG. 6 is a top plan view of our engine intake manifold shown in FIG. 1; and,
FIG. 7 is a bottom plan view of our engine intake manifold. The broken lines show portions of an engine intake manifold that form no part of the claimed design.

1 Claim, 7 Drawing Sheets



(56)

References Cited

U.S. PATENT DOCUMENTS

D799,553	S	*	10/2017	Bink	D15/5
D802,628	S	*	11/2017	Fischetto	D15/5
D812,100	S	*	3/2018	Litchfield	D15/5
D838,292	S	*	1/2019	Hummel	D15/5
D839,311	S	*	1/2019	Shurdim	D15/5
D850,488	S	*	6/2019	Shurdim	D15/5
D851,129	S	*	6/2019	Shurdim	D15/5
10,323,609	B1	*	6/2019	Collins F02M 35/104	
D863,361	S	*	10/2019	VerSchave	D15/5

* cited by examiner

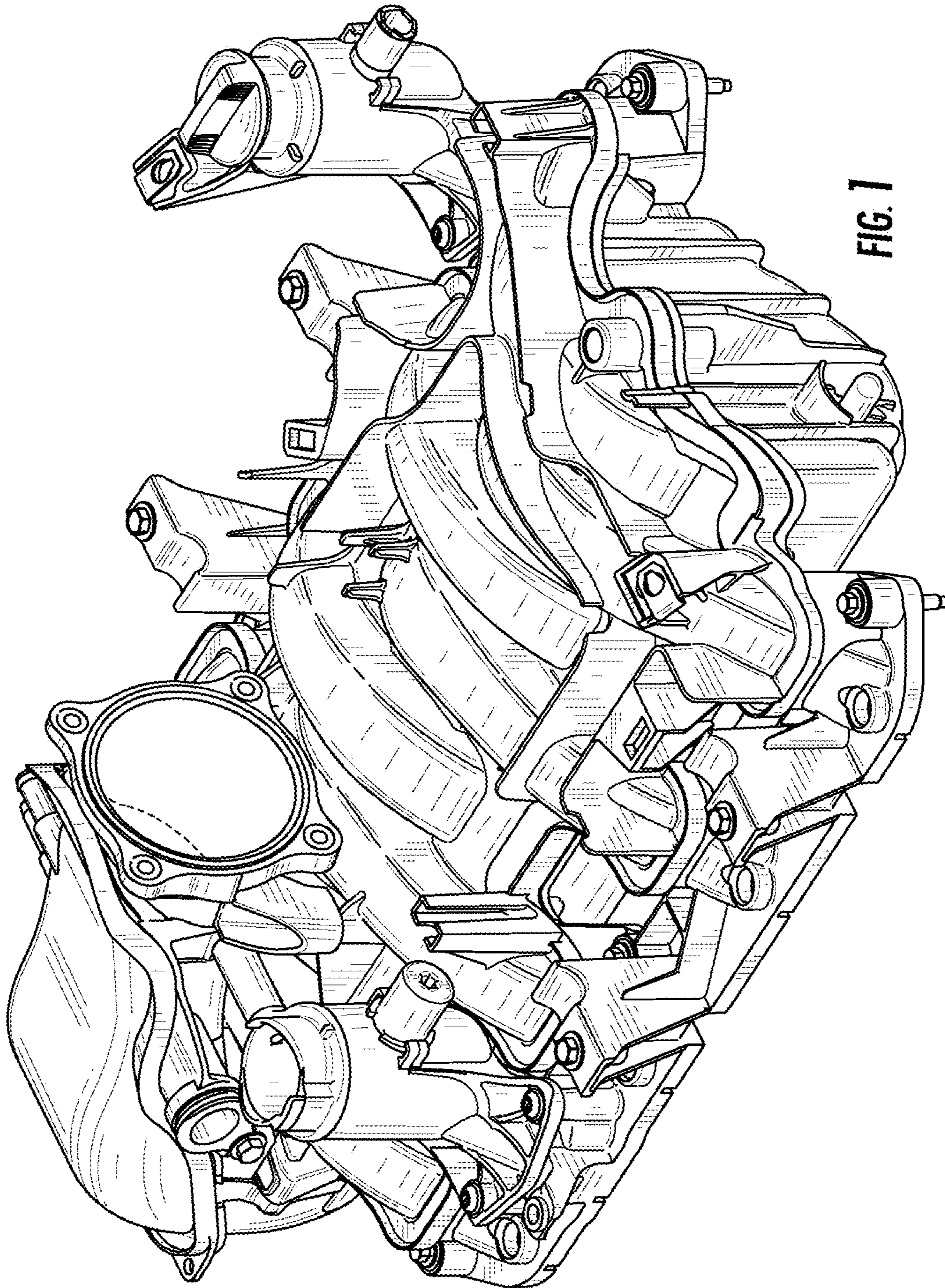


FIG. 1

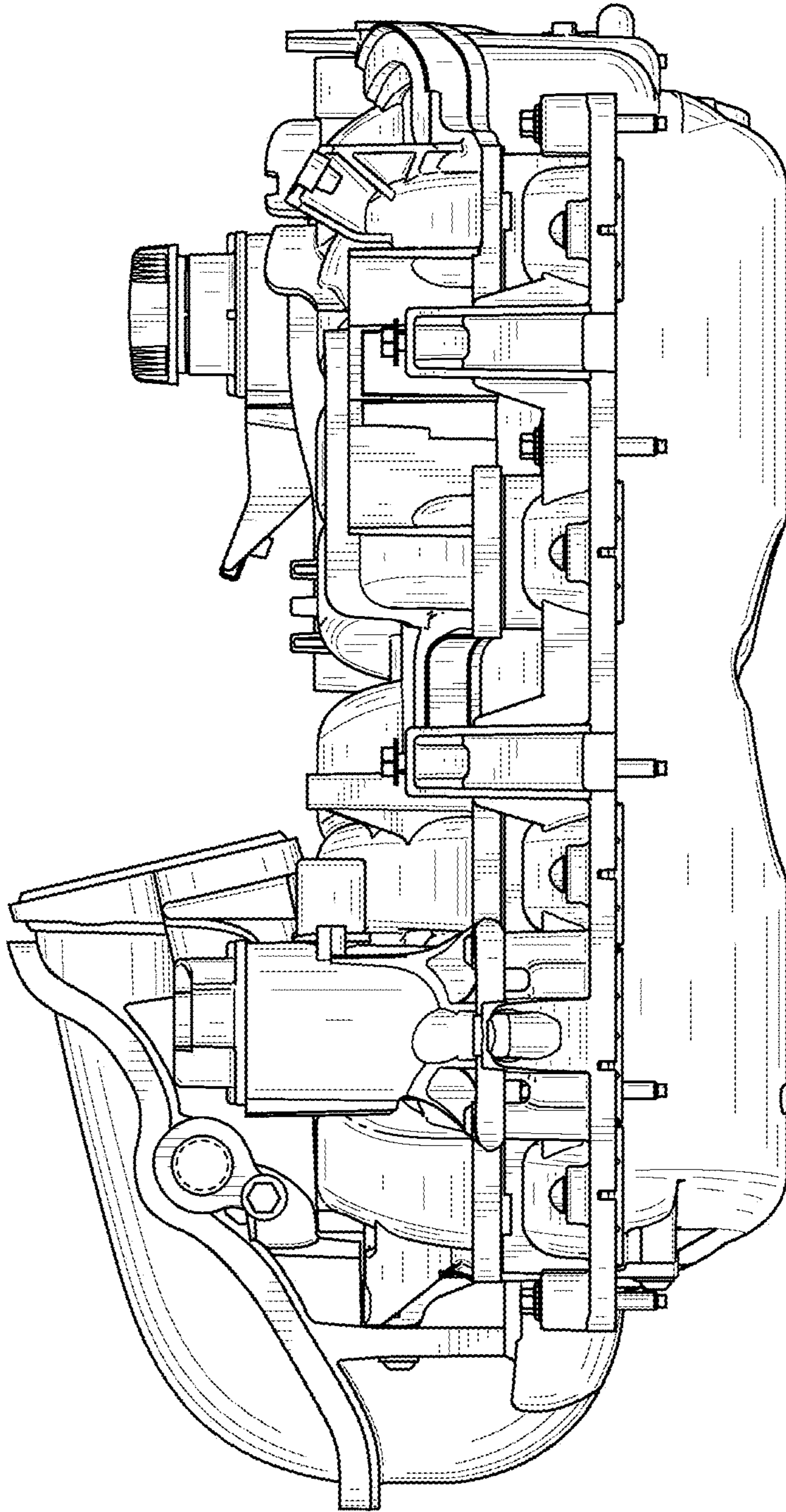


FIG. 2

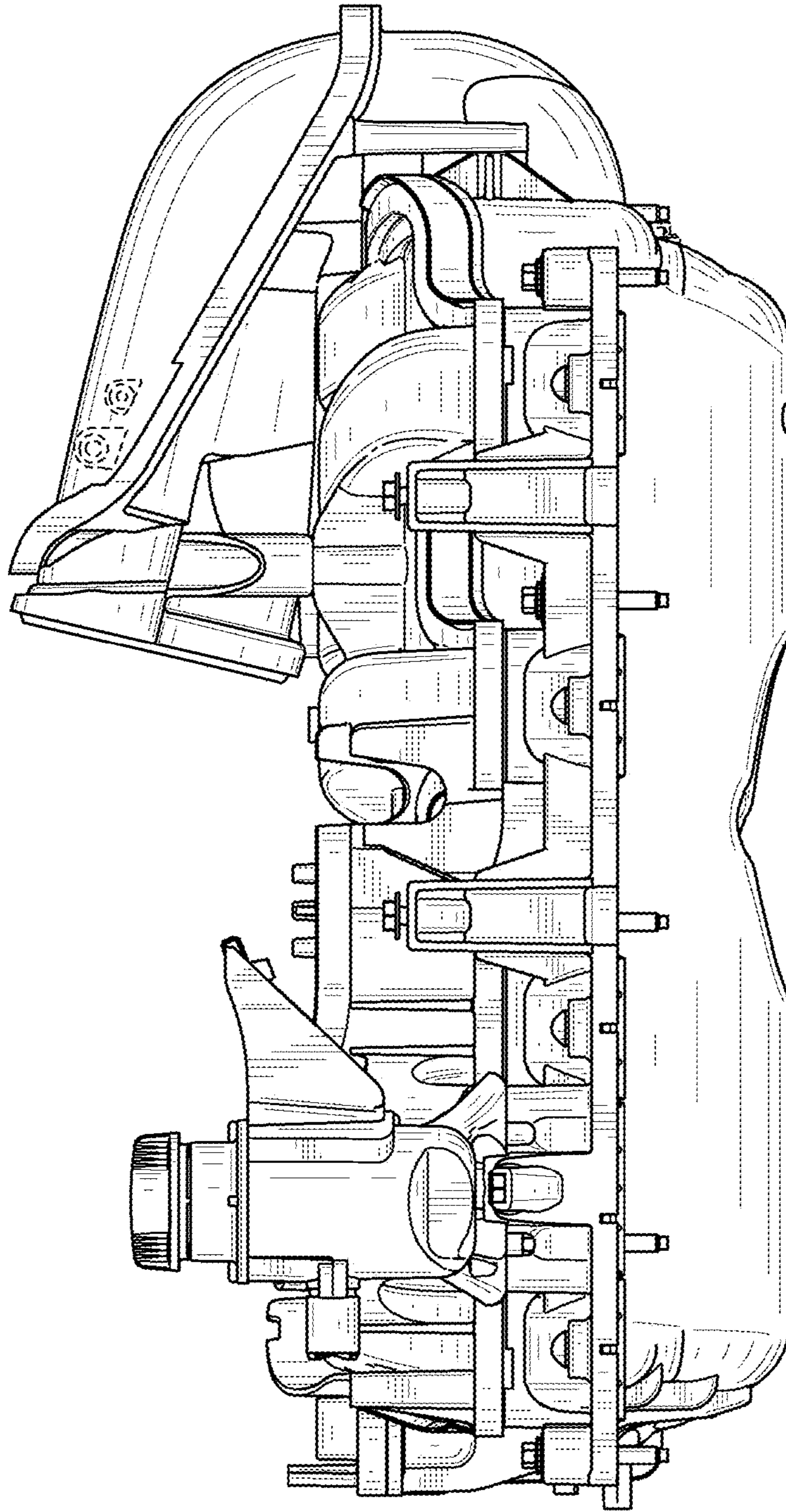


FIG. 3

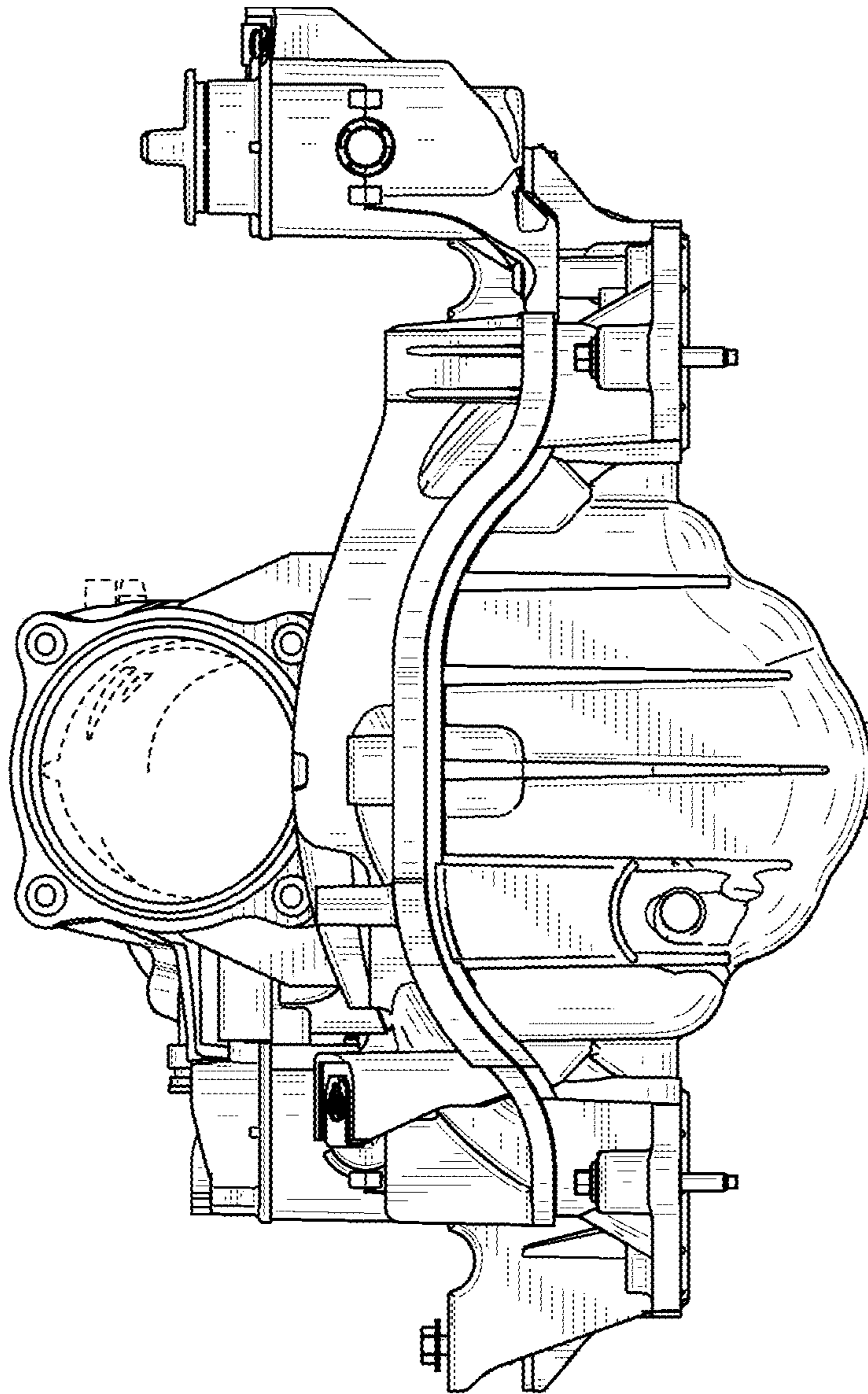


FIG. 4

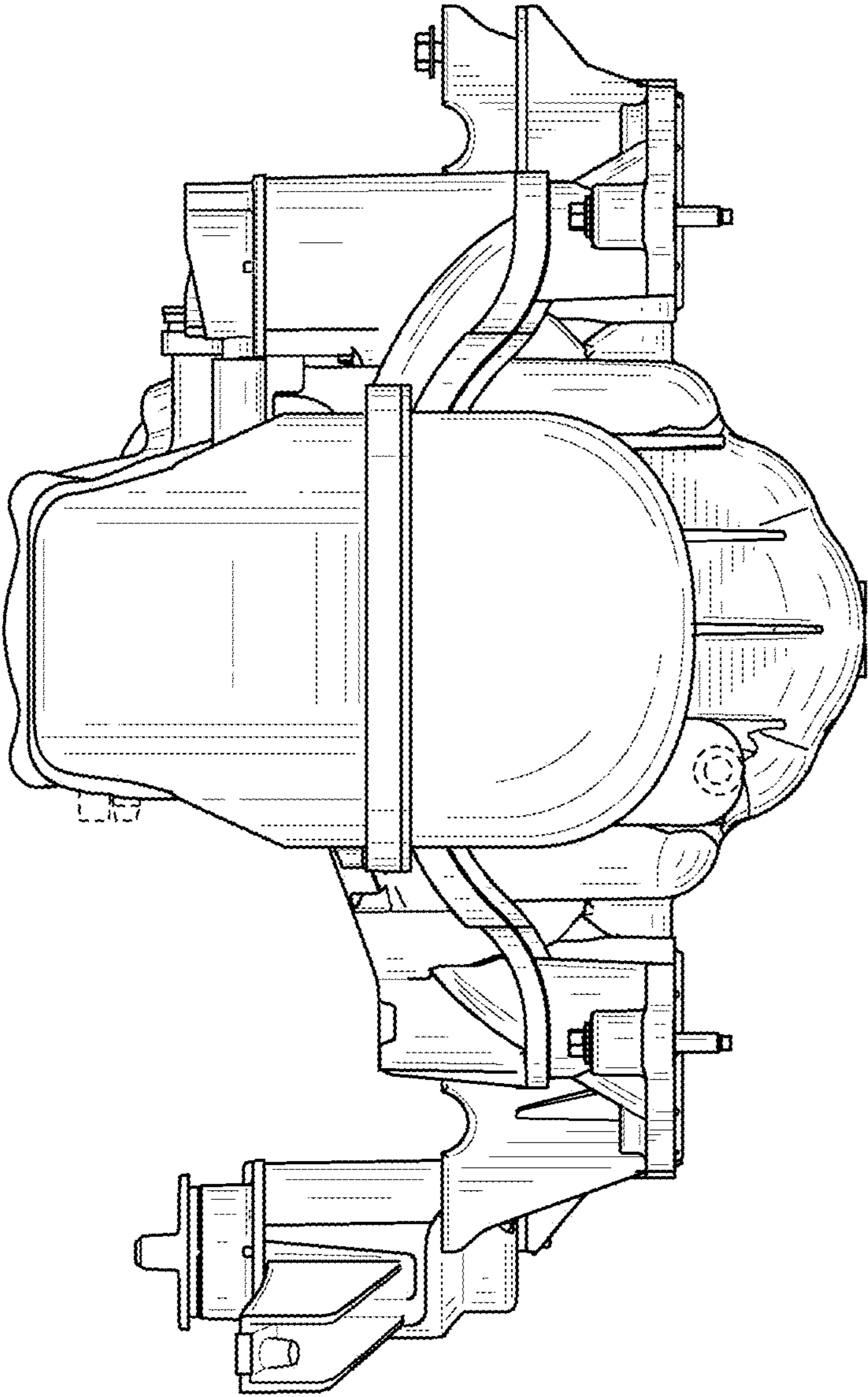


FIG. 5

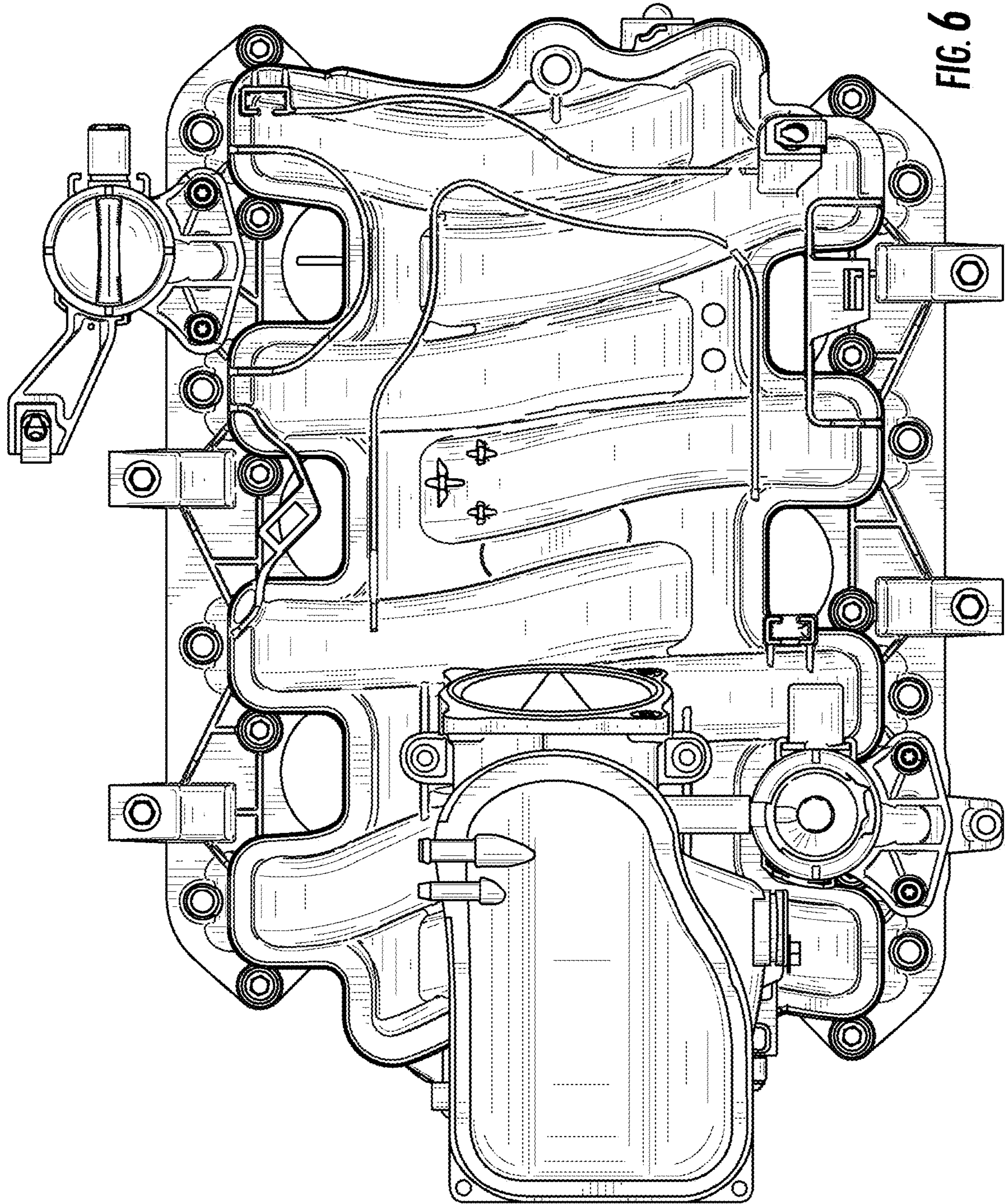


FIG. 6

