



US00D917557S

(12) **United States Design Patent**  
**Cody et al.**

(10) **Patent No.:** **US D917,557 S**  
(45) **Date of Patent:** **\*\* Apr. 27, 2021**

(54) **DISPLAY SCREEN OR PORTION THEREOF WITH ANIMATED CARD COMMUNICATION INTERFACE**

(71) Applicant: **Capital One Services, LLC**, McLean, VA (US)

(72) Inventors: **Lea Cody**, Arlington, VA (US); **Charles Nathan Crank**, Henrico, VA (US); **Ryan Cuppernull**, Richmond, VA (US); **Colin Hart**, Arlington, VA (US); **Daniel Herrington**, New York, NY (US); **Lara Mossler**, Farmville, VA (US); **Jeffrey Rule**, Chevy Chase, MD (US); **Kevin Widener**, Chesterfield, VA (US)

(73) Assignee: **CAPITAL ONE SERVICES, LLC**, McLean, VA (US)

(\*\*) Term: **15 Years**

(21) Appl. No.: **29/683,319**

(22) Filed: **Mar. 12, 2019**

(51) **LOC (13) Cl.** ..... **14-04**

(52) **U.S. Cl.**  
USPC ..... **D14/489**; D14/485

(58) **Field of Classification Search**  
USPC ..... D14/485-495; 345/156; 715/771  
(Continued)

(56) **References Cited**

**U.S. PATENT DOCUMENTS**

D669,497 S \* 10/2012 Lee ..... D14/489  
D712,915 S \* 9/2014 Lee ..... D14/486  
(Continued)

**FOREIGN PATENT DOCUMENTS**

CN 303728691 \* 6/2016  
CN 304783643 \* 8/2018

**OTHER PUBLICATIONS**

“Arrows set one” Sep. 16, 2016, Iconfinder, site visited Jul. 23, 2020: <https://www.iconfinder.com/iconsets/arrows-78> (Year: 2016).\*

(Continued)

*Primary Examiner* — Jack Reickel

*Assistant Examiner* — Christopher M Spivey

(74) *Attorney, Agent, or Firm* — Hunton Andrews Kurth LLP

(57) **CLAIM**

The ornamental design for a display screen or portion thereof with animated card communication interface, as shown and described.

**DESCRIPTION**

FIG. 1 is a front view of a display screen or portion thereof with animated card communication interface showing a first image in a sequence;

FIG. 2 is a second image thereof;

FIG. 3 is a third image thereof;

FIG. 4 is a fourth image thereof;

FIG. 5 is a fifth image thereof;

FIG. 6 is a sixth image thereof; and,

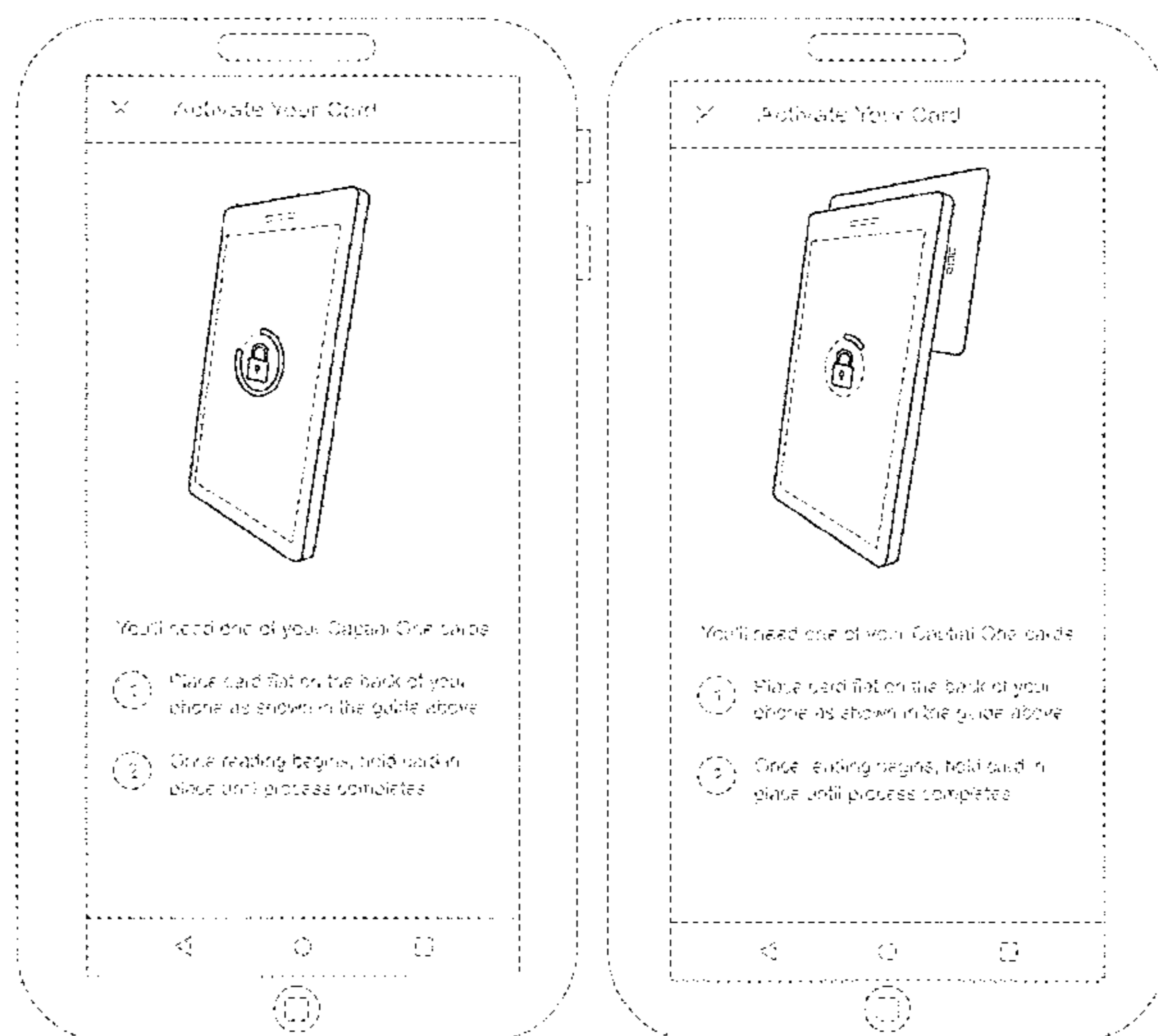
FIG. 7 is a seventh image thereof.

The appearance of the animated images sequentially transitions between the images shown in FIGS. 1 through 7.

The process or period in which one image transitions to another forms no part of the claimed design.

The broken lines showing a display screen or portion thereof and all other broken lines showing portions of an animated card communication interface shown in FIGS. 1 through 7 illustrate environmental subject matter and form no part of the claimed design. The broken lines forming an electronic communication device shown in FIGS. 1 through 7 illustrate environmental subject matter and form no part of the claimed design.

**1 Claim, 4 Drawing Sheets**



(58) **Field of Classification Search**

CPC ..... G06F 3/04817; G06F 2201/825; G06T 2200/24; G06T 2219/2021; A63B 24/0062; H04L 2012/2841; H04L 63/0428; H04M 1/27475; H04M 1/72544  
See application file for complete search history.

(56) **References Cited**

U.S. PATENT DOCUMENTS

D724,621 S \* 3/2015 Rydenhag ..... D14/489  
9,081,419 B2 \* 7/2015 Tocino Diaz ..... A63F 13/06  
D752,061 S \* 3/2016 Ahn ..... D14/485  
D752,072 S \* 3/2016 Song ..... D14/486  
D760,792 S \* 7/2016 Liu ..... G06F 3/04817  
D14/494  
D762,716 S \* 8/2016 Yang ..... D14/489  
D763,308 S \* 8/2016 Wang ..... D14/488  
D764,493 S \* 8/2016 Sanderson ..... D14/485  
D766,958 S \* 9/2016 Salazar Cardozo ..... D14/486  
D770,517 S \* 11/2016 Peng ..... D14/488  
D771,130 S \* 11/2016 Cho ..... D14/490  
D785,658 S \* 5/2017 Moroney ..... D14/486  
D790,595 S \* 6/2017 Forsblom ..... D14/492  
D804,522 S \* 12/2017 Sachtleben ..... D14/488  
D807,376 S \* 1/2018 Mizono ..... D14/485  
D808,402 S \* 1/2018 Butcher ..... D14/485  
D821,412 S \* 6/2018 Diament ..... D14/485  
D821,443 S \* 6/2018 Jang ..... D14/489  
D823,859 S \* 7/2018 Boyd ..... D14/485  
D826,969 S \* 8/2018 Goyette ..... D14/486

D827,662 S \* 9/2018 Fleischmann ..... D14/486  
D839,287 S \* 1/2019 Hersh ..... D14/486  
D848,479 S \* 5/2019 Lee ..... D14/492  
D861,725 S \* 10/2019 Park ..... D14/491  
D868,809 S \* 12/2019 Cullum ..... D14/486  
10,498,401 B1 \* 12/2019 Rule ..... G06Q 20/352  
D872,737 S \* 1/2020 Ressel ..... D14/485  
D879,147 S \* 3/2020 Lebov ..... D14/491  
D904,424 S \* 12/2020 Hansen ..... D14/485  
2013/0091468 A1 \* 4/2013 Xie ..... H04M 1/67  
715/835  
2013/0162571 A1 \* 6/2013 Tamegai ..... G06F 3/04817  
345/173  
2017/0300212 A1 \* 10/2017 Vinna ..... G06F 3/04817

OTHER PUBLICATIONS

“Circular Progress Indicator Prototype” Oct. 25, 2016, YouTube, site visited Jul. 23, 2020: <https://www.youtube.com/watch?v=wzh6xjujW8A> (Year: 2016).  
“Motion Graphics File : Countdown” Dec. 14, 2012, YouTube, site visited Jul. 24, 2020: <https://www.youtube.com/watch?v=nBnaYNWmTWO> (Year: 2012).  
“Preloader GIF” Oct. 13, 2017, Gfycat, site visited Jul. 24, 2020: <https://gfycat.com/jointrevolvingantelopegroundsquirlrel-spinner-loader> (Year: 2017).  
“Gif Preloader 9” Nov. 2017, Gifimage, site visited Jul. 24, 2020: <https://gifimage.net/wp-content/uploads/2017/11/gif-preloader-9.gif> (Year: 2017).

\* cited by examiner

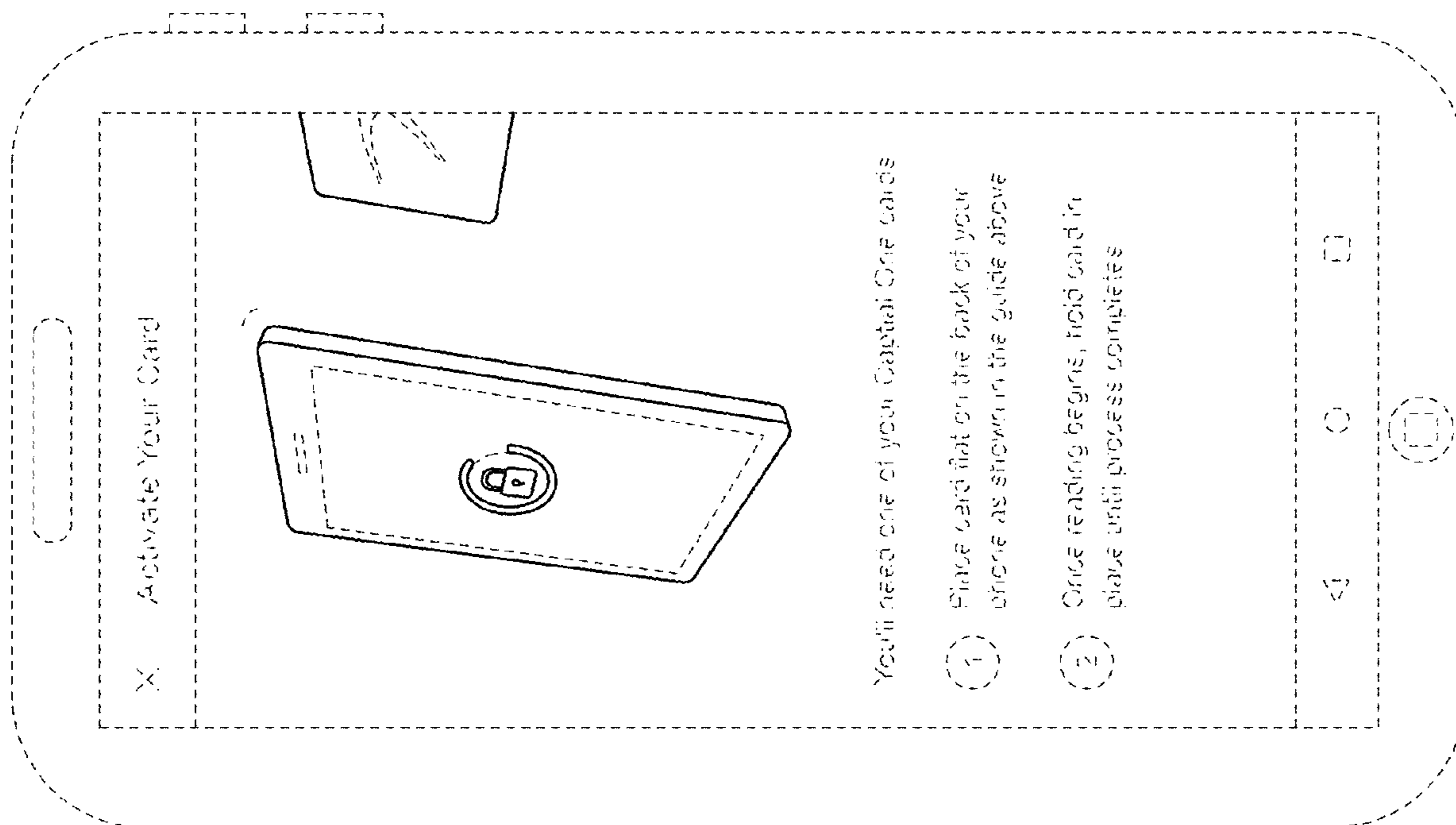


FIG. 2

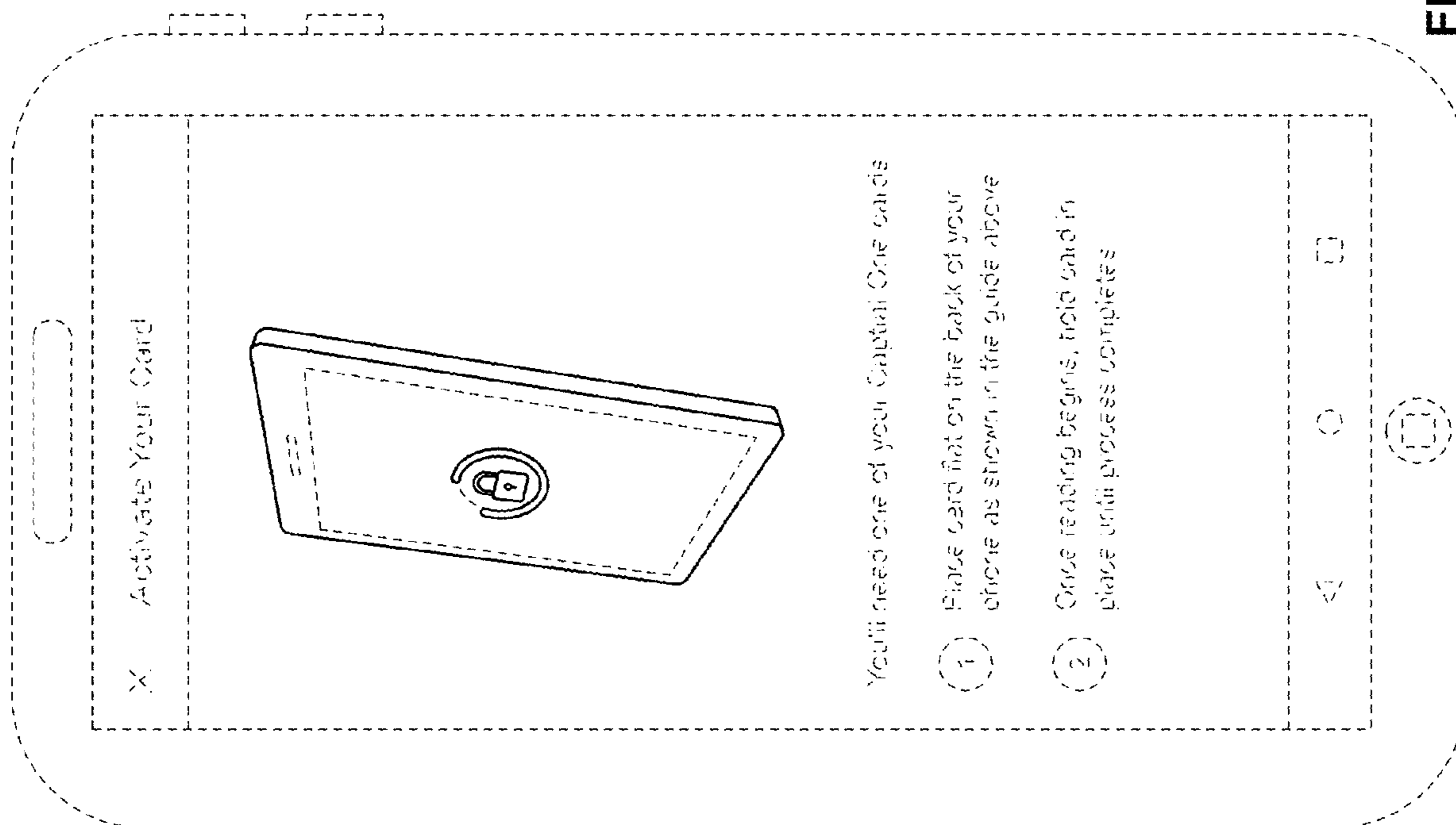


FIG. 1

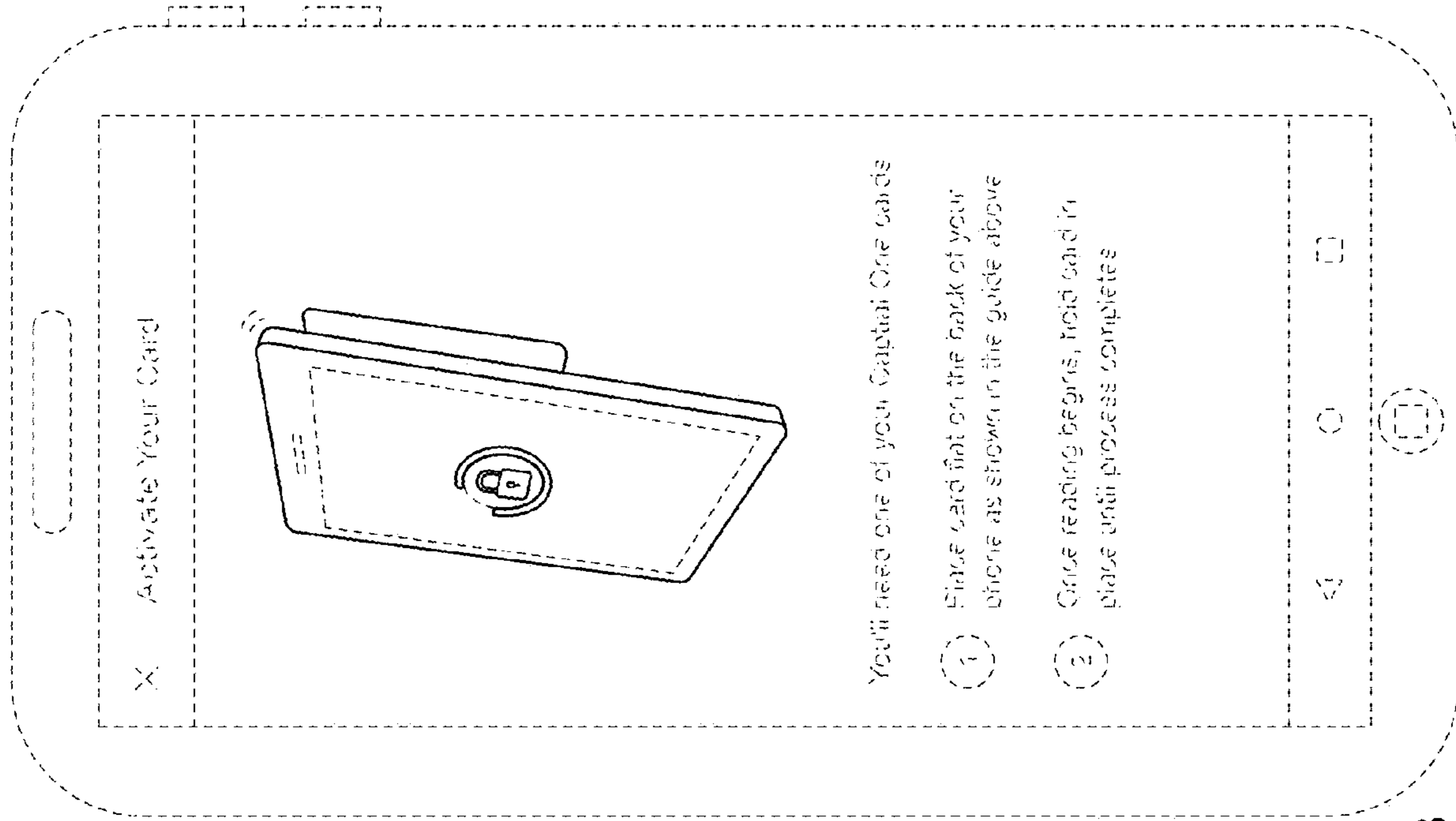


FIG. 3

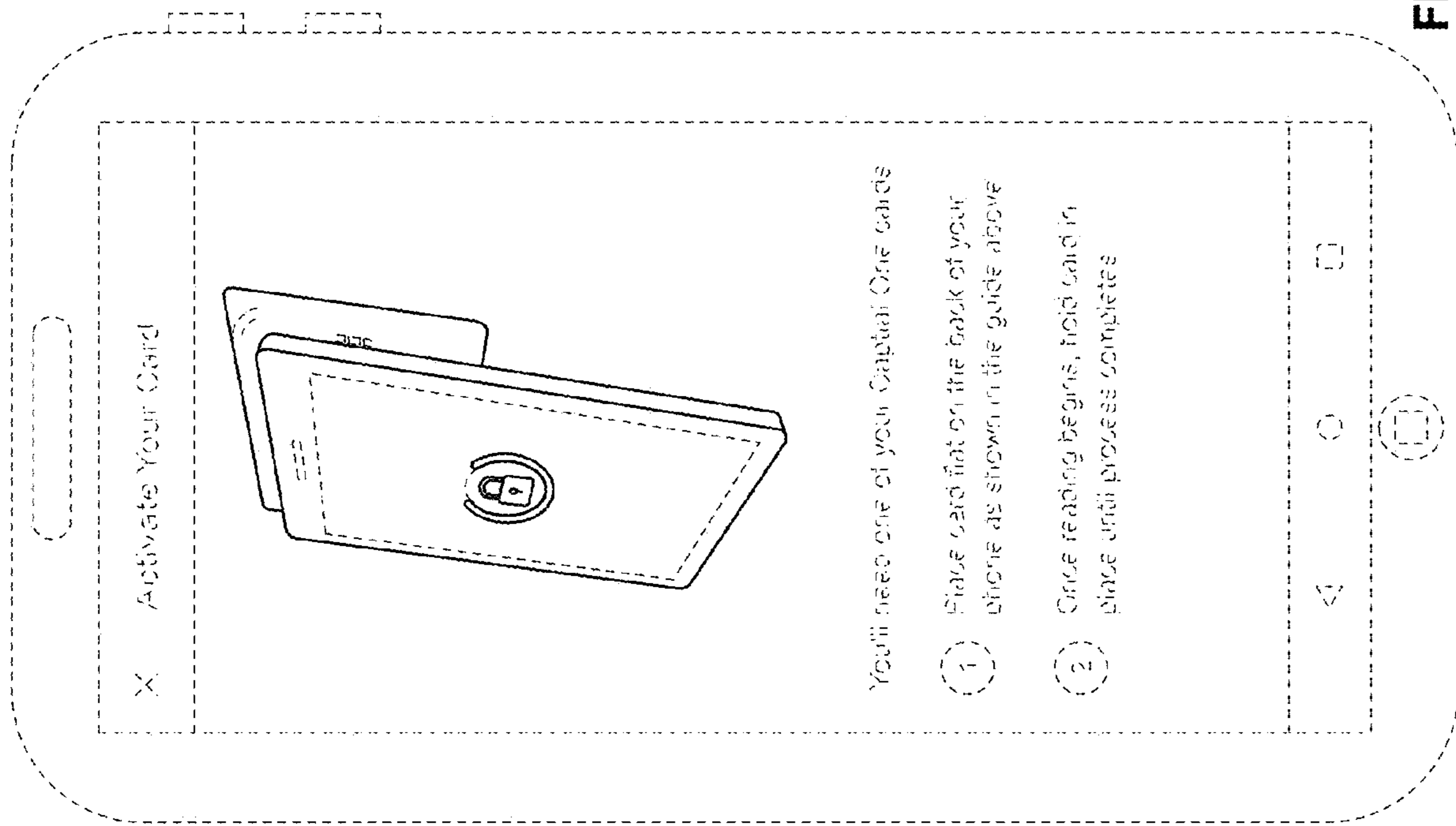


FIG. 4

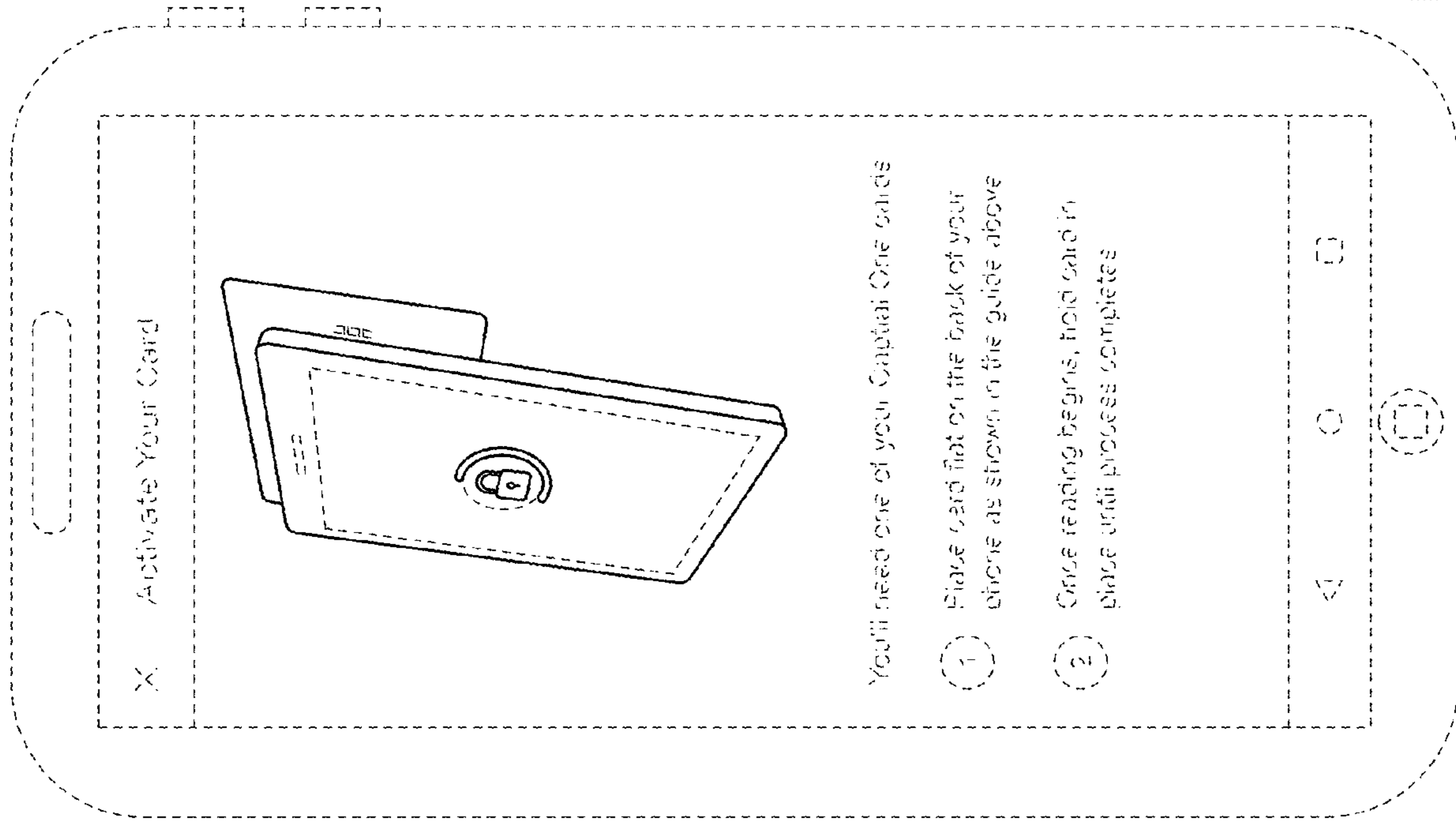


FIG. 6

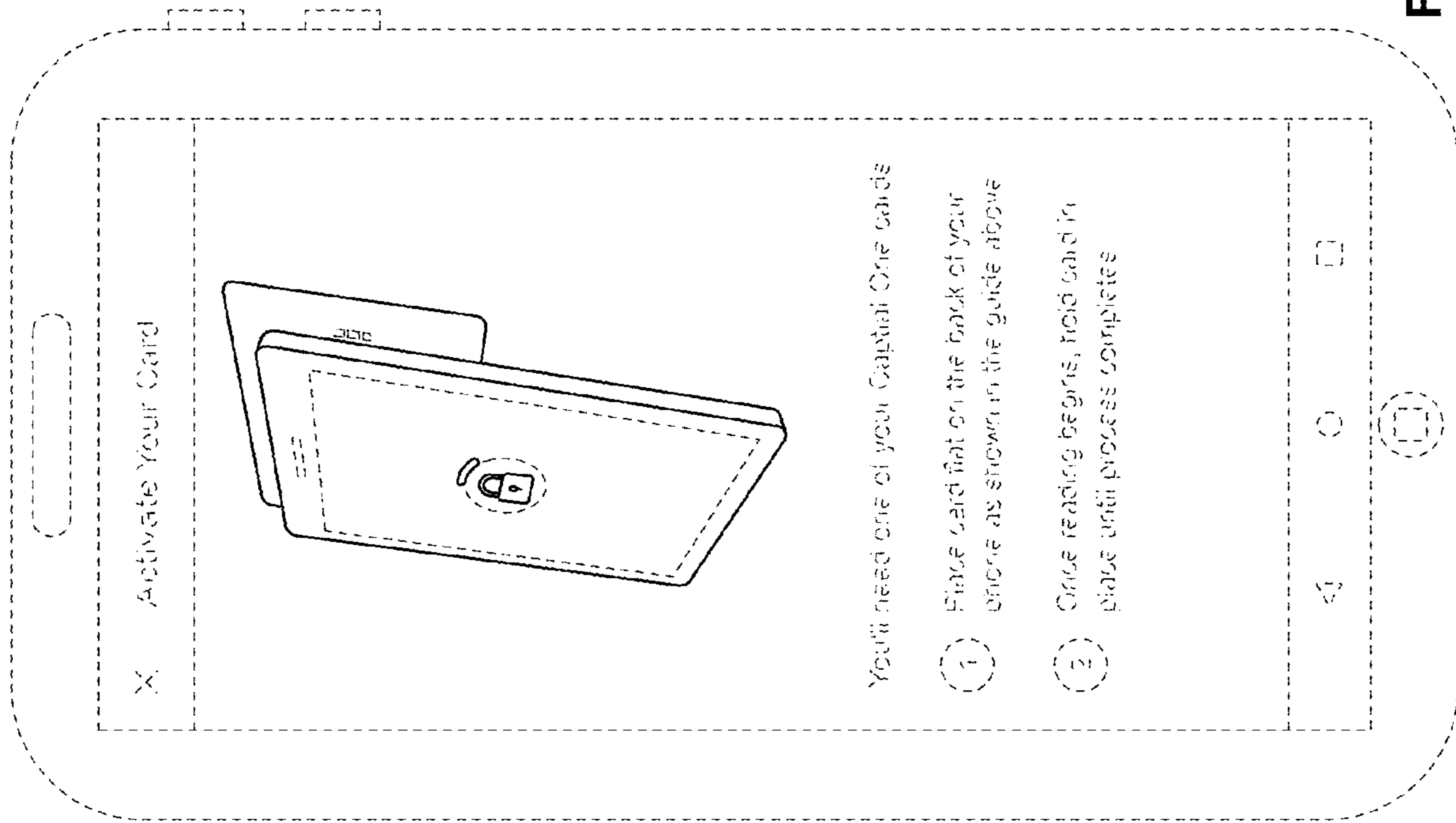


FIG. 5

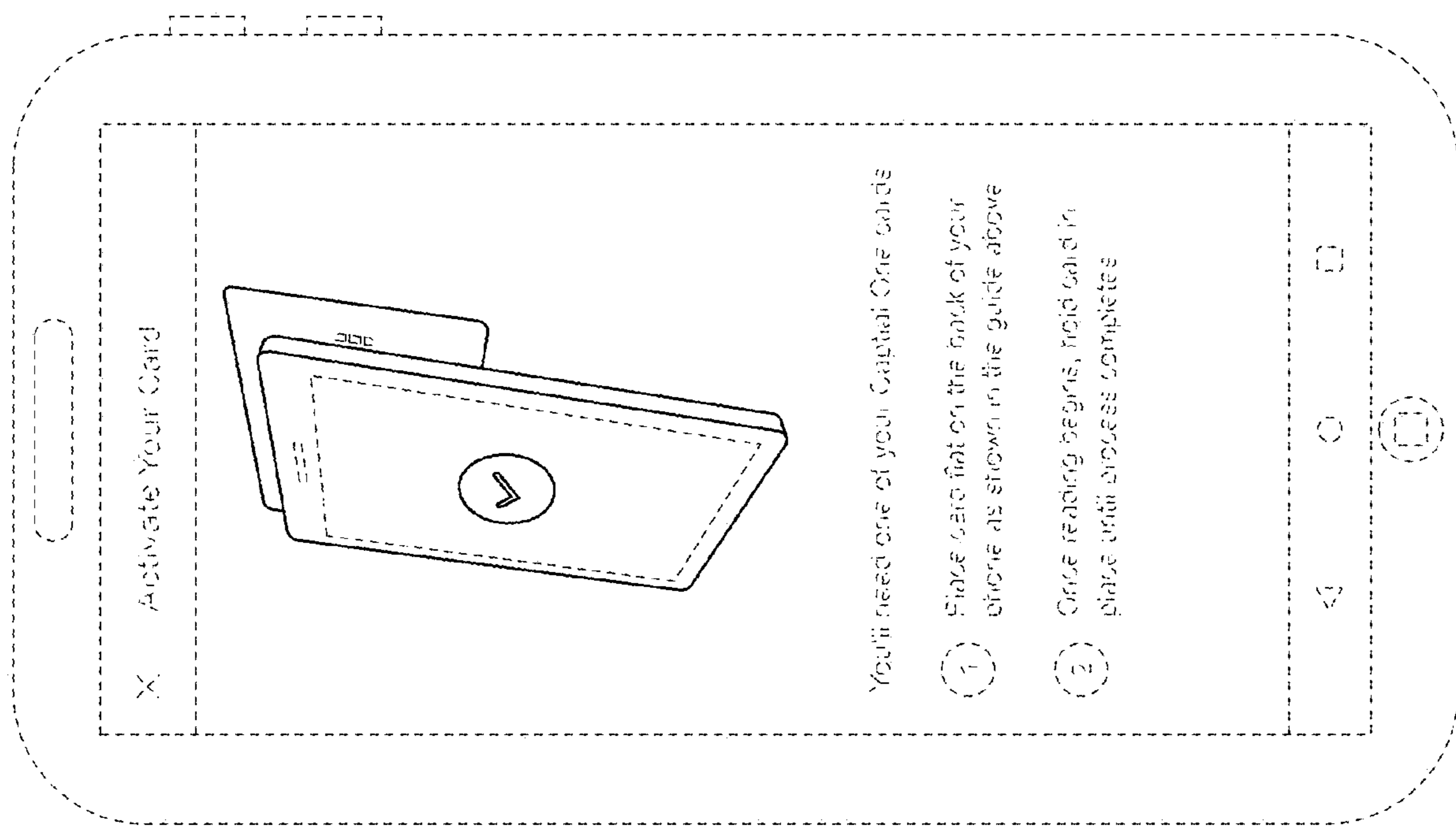


FIG. 7