



US00D917551S

(12) **United States Design Patent**  
**Lee et al.**

(10) **Patent No.:** **US D917,551 S**  
(45) **Date of Patent:** **\*\* Apr. 27, 2021**

(54) **DISPLAY SCREEN OR PORTION THEREOF WITH GRAPHICAL USER INTERFACE**

(71) Applicant: **Goldtek Technology Co., Ltd.**, New Taipei (TW)

(72) Inventors: **Yen-Ching Lee**, New Taipei (TW);  
**Darwin Kurniawan Oh**, New Taipei (TW)

(73) Assignee: **Goldtek Technology Co., Ltd.**, New Taipei (TW)

(\*\*) Term: **15 Years**

(21) Appl. No.: **29/668,358**

(22) Filed: **Oct. 30, 2018**

(30) **Foreign Application Priority Data**

Sep. 27, 2018 (TW) ..... 107305785

(51) **LOC (13) Cl.** ..... **14-04**

(52) **U.S. Cl.**  
USPC ..... **D14/488**

(58) **Field of Classification Search**  
USPC ..... D14/485-495  
CPC ..... G06Q 10/063114; H04N 1/00477; G11B 27/34; G06F 3/0484; G05B 19/418  
See application file for complete search history.

(56) **References Cited**

**U.S. PATENT DOCUMENTS**

- D476,995 S \* 7/2003 Kreikemeier ..... D14/486
- D479,846 S \* 9/2003 Kreikemeier ..... D14/486
- D554,659 S \* 11/2007 Hoover ..... D14/487
- D614,192 S \* 4/2010 Takano ..... D14/486
- D667,018 S \* 9/2012 Clanton ..... D14/485
- D672,784 S \* 12/2012 Clanton ..... G06F 3/04817  
D14/485
- D716,325 S \* 10/2014 Brudnicki ..... D14/486

- D736,780 S \* 8/2015 Wang ..... D14/485
- D763,265 S \* 8/2016 Trujillo ..... G06F 3/04817  
D14/485
- D768,646 S \* 10/2016 Master ..... D14/485
- 9,557,881 B1 \* 1/2017 Jain ..... G06F 3/0481
- D787,552 S \* 5/2017 Napper ..... D14/489
- D789,404 S \* 6/2017 Modestine ..... D14/487
- D791,165 S \* 7/2017 Modestine ..... D14/487
- D795,898 S \* 8/2017 Li ..... D14/486

(Continued)

**OTHER PUBLICATIONS**

Grouchnikov, Kirill. "The usability of radial menus." Pushing Pixels, published Jul. 25, 2012 (Retrieved from the Internet Sep. 1, 2020). Internet URL: <<https://www.pushing-pixels.org/2012/07/25/the-usability-of-radial-menus.html>> (Year: 2012).\*

(Continued)

*Primary Examiner* — Rachel A. Voorhies

(74) *Attorney, Agent, or Firm* — ScienBiziP, P.C.

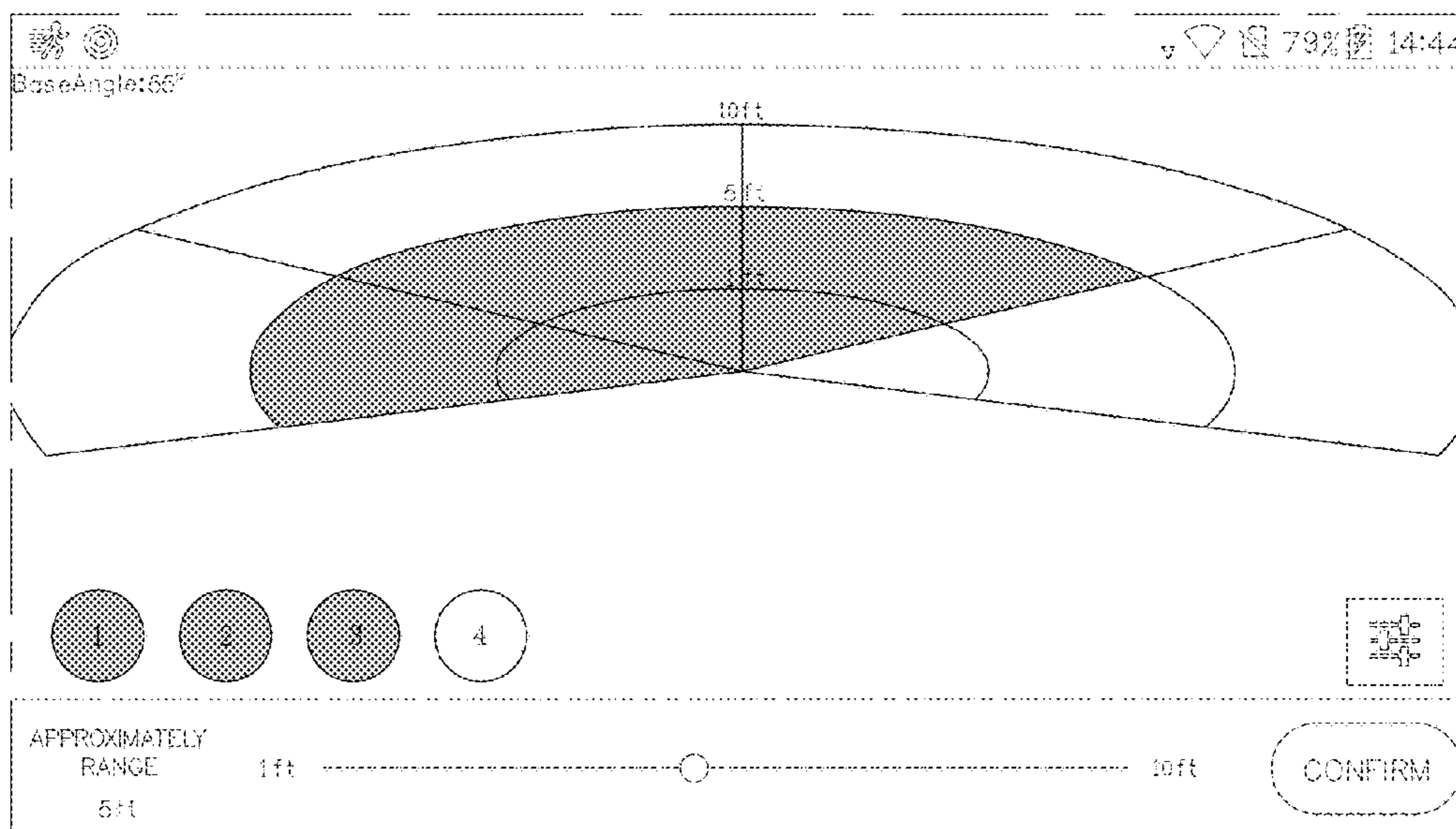
(57) **CLAIM**

The ornamental design for a display screen or portion thereof with graphical user interface, as shown and described.

**DESCRIPTION**

FIG. 1 is a front view of a first embodiment of a display screen or portion thereof with graphical user interface showing my design; FIG. 2 is a front view of a second embodiment thereof; and, FIG. 3 is a front view of a third embodiment thereof. The portions of the graphical user interface that are shaded depict a contrasting appearance. The outermost long and short dashed line in the figures shows a display screen or portion thereof and forms no part of the claimed design. The other broken lines show portions of the graphical user interface that form no part of the claimed design.

**1 Claim, 3 Drawing Sheets**



(56)

References Cited

U.S. PATENT DOCUMENTS

D803,247 S \* 11/2017 Mistry ..... D14/486  
 D806,739 S \* 1/2018 Blackman ..... D14/487  
 D807,384 S \* 1/2018 Quattrocchi ..... D14/486  
 D813,884 S \* 3/2018 Penker ..... D14/485  
 D819,066 S \* 5/2018 Anderson ..... D14/486  
 D832,298 S \* 10/2018 Joensson ..... D14/486  
 D838,729 S \* 1/2019 Guerrieri ..... D14/485  
 D854,551 S \* 7/2019 Pistiner ..... G06Q 10/063114  
 D871,435 S \* 12/2019 Tseng ..... G06F 9/451  
 D874,502 S \* 2/2020 Krishnamurthy ..... D14/486  
 D877,747 S \* 3/2020 Belliveau ..... D14/485  
 D878,397 S \* 3/2020 Gratzki ..... D14/485  
 D879,123 S \* 3/2020 Rydgren ..... D14/486  
 D881,904 S \* 4/2020 Angeles ..... D14/485  
 10,624,690 B2 \* 4/2020 Shikhman ..... G06F 3/048  
 D884,005 S \* 5/2020 Milnark ..... G06F 3/048  
 D884,022 S \* 5/2020 Klein ..... D14/488  
 D887,431 S \* 6/2020 Tellier ..... D14/486  
 D888,722 S \* 6/2020 Calzada ..... D14/485  
 D891,448 S \* 7/2020 Graham ..... D14/486  
 10,747,212 B2 \* 8/2020 Oka ..... G05B 19/41875  
 10,755,373 B2 \* 8/2020 Smirin ..... G06Q 30/0641

D894,910 S \* 9/2020 Pazmino ..... D14/485  
 D894,917 S \* 9/2020 Milnark ..... D14/486  
 2009/0193366 A1 \* 7/2009 Davidson ..... G06F 3/0482  
 2009/0244072 A1 \* 10/2009 Pugach ..... G06T 15/10  
 2013/0104071 A1 \* 4/2013 Boutoussov ..... G06F 3/0481  
 2015/0058769 A1 \* 2/2015 Kim ..... G06F 9/451  
 2015/0142491 A1 \* 5/2015 Webb ..... G06Q 10/063114  
 2015/0355827 A1 \* 12/2015 Van Der Westhuizen ..... G06F 3/04842  
 2017/0053371 A1 \* 2/2017 Smirin ..... G06Q 10/02  
 2017/0278341 A1 \* 9/2017 Moore ..... G07F 17/3211  
 2018/0067631 A1 \* 3/2018 Thiercelin ..... G06F 9/4494  
 2018/0368927 A1 \* 12/2018 Lyons ..... A61B 34/25

OTHER PUBLICATIONS

Reynish, William. "Tools, Toolbars and Tool Widgets." Blender Developers Blog, published Apr. 28, 2018 (Retrieved from the Internet Sep. 1, 2020). Internet URL: <<https://code.blender.org/2018/04/tools-toolbar-and-tool-widgets/>> (Year: 2018).\*

\* cited by examiner

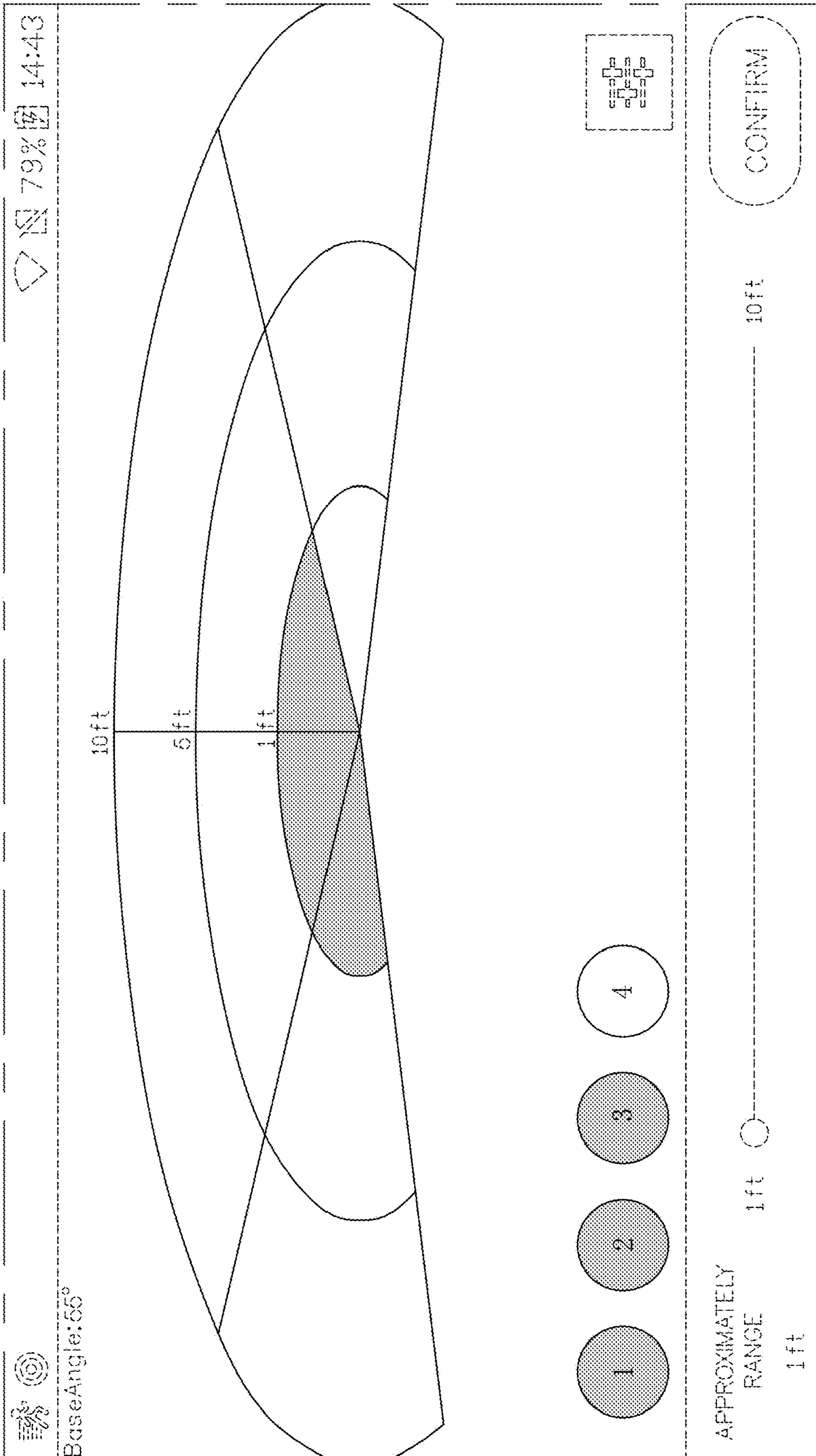


FIG. 1



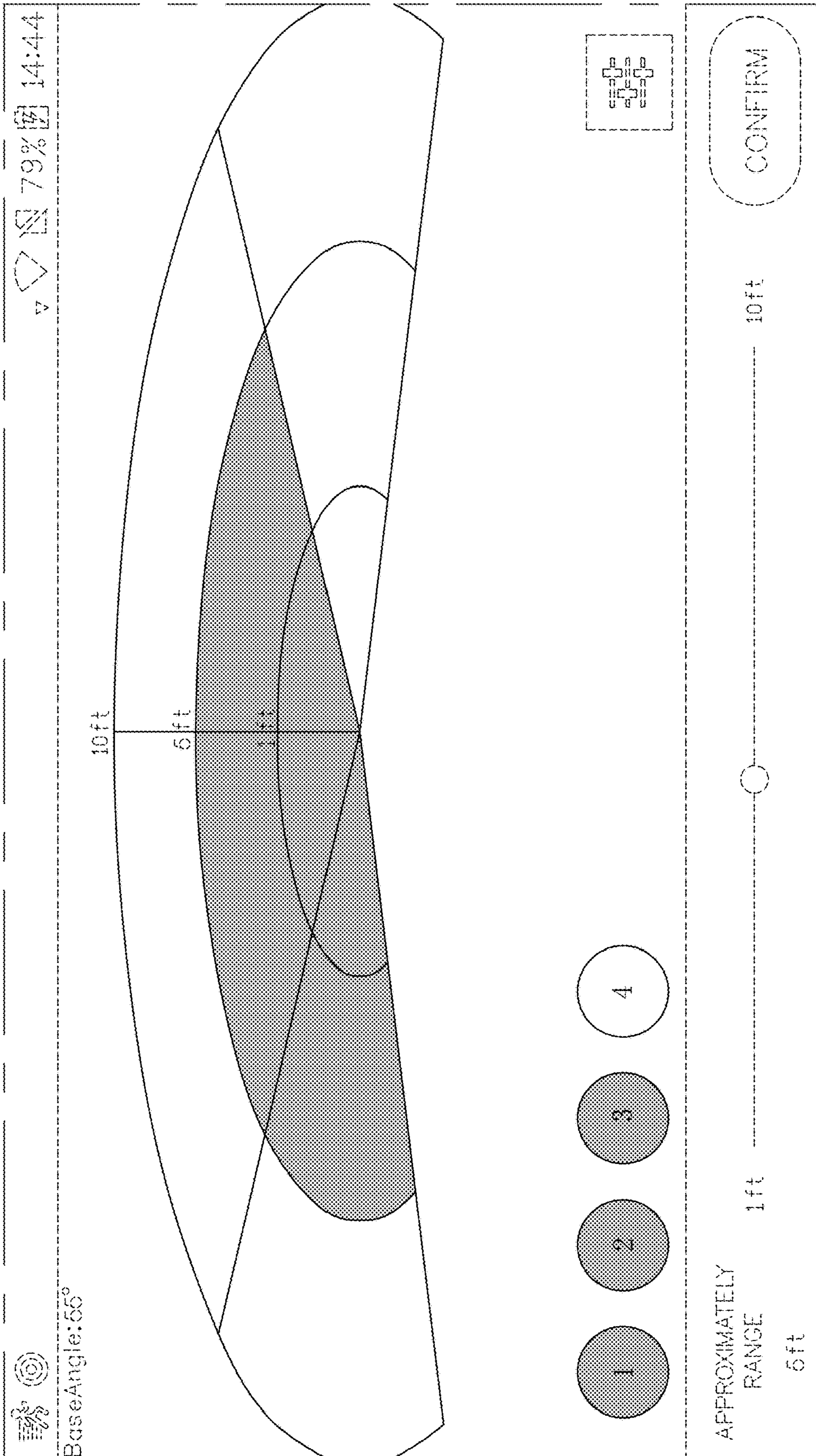


FIG. 2

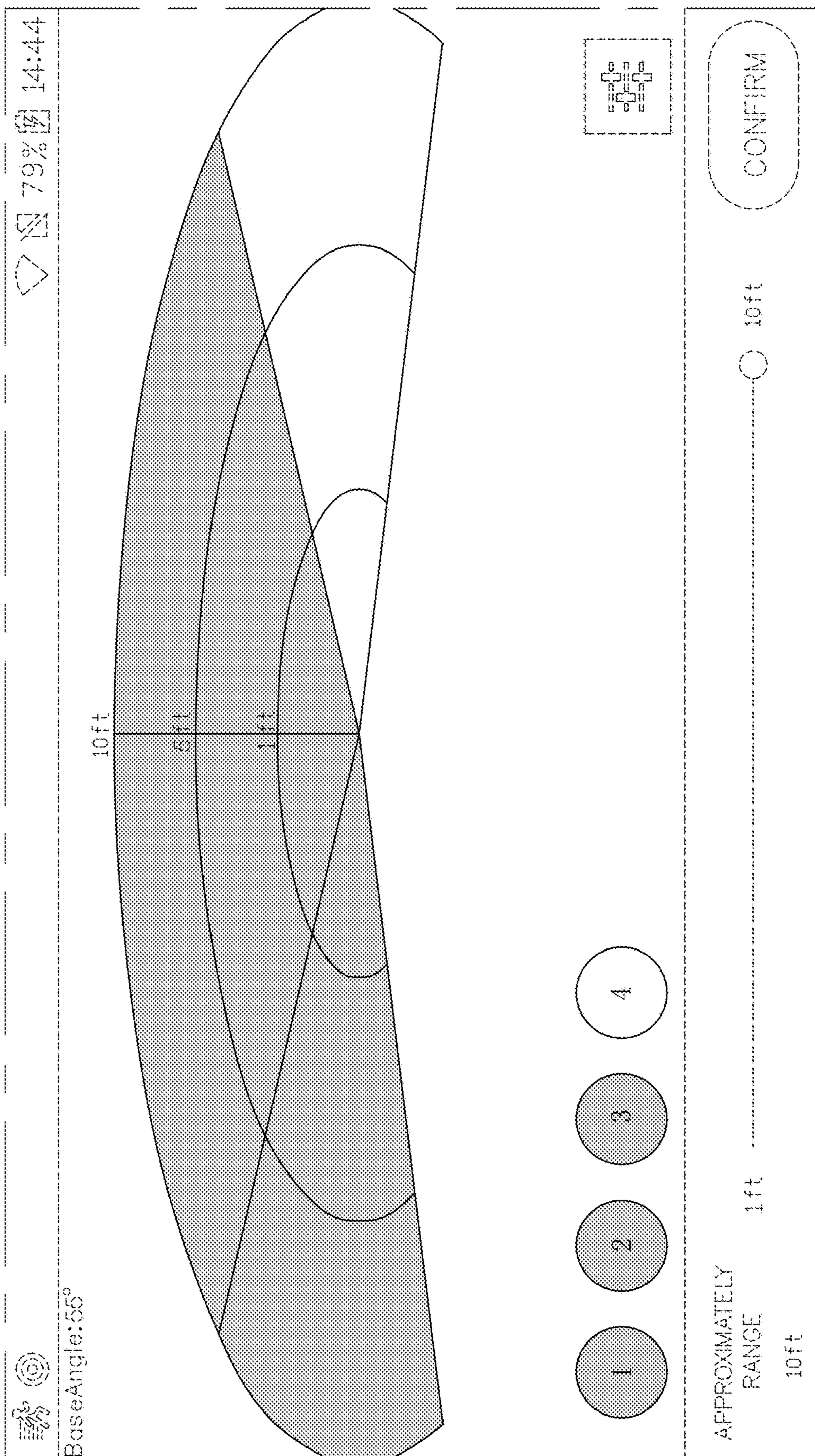


FIG. 3