



US00D917497S

(12) **United States Design Patent** (10) **Patent No.:** **US D917,497 S**  
**Lee** (45) **Date of Patent:** **\*\* Apr. 27, 2021**

(54) **STAND FOR ELECTRONIC DEVICE**  
(71) Applicant: **elago CO. LTD**, Goyang-si (KR)  
(72) Inventor: **Chanwoo Lee**, Goyang-si (KR)  
(73) Assignee: **elago CO. LTD**, Goyang-si (KR)  
(\*\*) Term: **15 Years**

D466,700 S \* 12/2002 Richmond ..... D13/108  
D469,221 S \* 1/2003 Cozzolino ..... D28/73  
D475,346 S \* 6/2003 McCurrach ..... D13/108  
D485,269 S \* 1/2004 Jones ..... D14/358  
D508,458 S \* 8/2005 Solland ..... D13/108  
D516,022 S \* 2/2006 Winkler ..... D13/108  
D516,025 S \* 2/2006 Quinn ..... D13/108  
D520,446 S \* 5/2006 Liu ..... D13/108  
D542,279 S \* 5/2007 Chan ..... D14/216

(Continued)

(21) Appl. No.: **29/758,293**  
(22) Filed: **Nov. 13, 2020**  
(51) **LOC (13) Cl.** ..... **14-02**  
(52) **U.S. Cl.**  
USPC ..... **D14/447**  
(58) **Field of Classification Search**  
USPC ... D14/434, 433, 435, 435.1, 356, 357, 358,  
D14/440, 447, 251-253, 432, 451, 452,  
D14/454, 217, 240, 299, 496, 171, 300,  
D14/301, 302, 314, 348, 353-355, 363,  
D14/365, 125, 385; D13/103, 107, 108,  
D13/184, 110, 123, 133, 135, 137.2,  
D13/139.2, 139.4, 118; D21/333  
CPC ..... G06F 1/1632; G06F 13/00; G06F 13/38;  
G06F 13/382; G06F 13/385; G06F  
13/387; G06F 3/065; G06F 9/541; G06F  
2213/3814; G06F 2213/40; G06F  
2213/4004; H01R 31/06; H01R 31/065;  
H01R 27/00; H01R 13/512; H01R 13/62;  
H04R 5/04  
See application file for complete search history.

**FOREIGN PATENT DOCUMENTS**

CN 204809911 U 11/2015  
CN 303749414 7/2016

(Continued)

*Primary Examiner* — Marie D. Fast Horse  
(74) *Attorney, Agent, or Firm* — Paratus Law Group,  
PLLC

(57) **CLAIM**

The ornamental design for a stand for electronic device, as shown and described.

**DESCRIPTION**

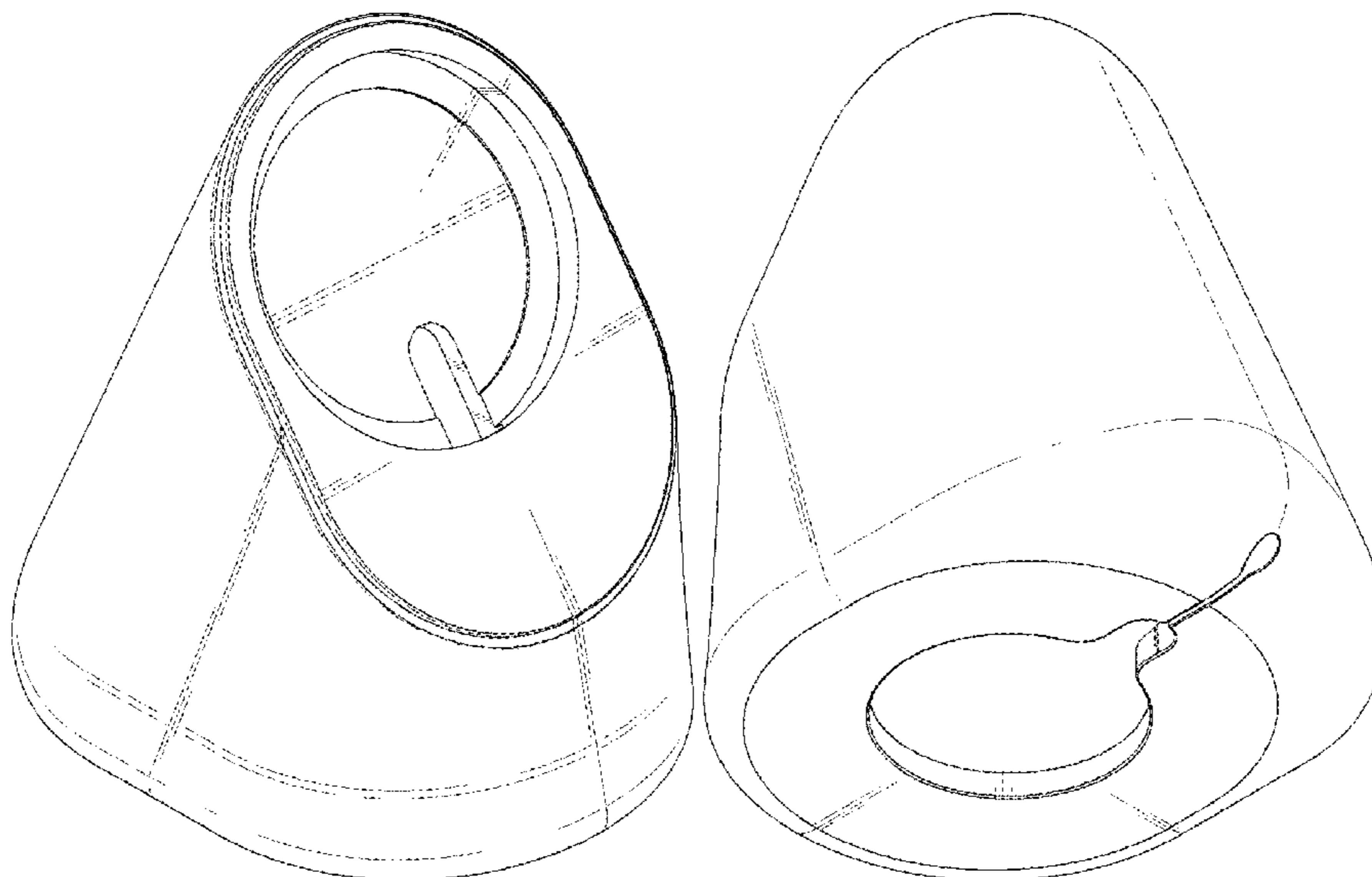
FIG. 1 is a front, top, and left sides perspective view of a stand for electronic device, showing my new design;  
FIG. 2 is a front view thereof;  
FIG. 3 is a back view thereof;  
FIG. 4 is a left side view thereof;  
FIG. 5 is a right side view thereof;  
FIG. 6 is a top view thereof;  
FIG. 7 is a bottom view thereof; and,  
FIG. 8 is a back, bottom, and right sides perspective view thereof.

The broken lines shown in FIG. 7 depict interior parts of the stand for electronic device, which form no part of the claimed design. The interior parts of the stand for electronic device, seen through openings in the drawings, form no part of the claimed design.

**1 Claim, 8 Drawing Sheets**

(56) **References Cited**  
**U.S. PATENT DOCUMENTS**

D428,880 S \* 8/2000 Du ..... D14/314  
D458,266 S \* 6/2002 Herath ..... D14/434  
D459,299 S \* 6/2002 Hughes ..... D13/108  
D460,971 S \* 7/2002 Sica ..... D14/434  
D462,321 S \* 9/2002 Ullmann ..... D13/108  
D463,361 S \* 9/2002 Ruohonen ..... D13/108



(56)

References Cited

U.S. PATENT DOCUMENTS

D553,122 S \* 10/2007 Solland ..... D14/217  
 D553,123 S \* 10/2007 Solland ..... D14/217  
 D558,193 S \* 12/2007 Ju ..... D14/253  
 D566,697 S \* 4/2008 Nielsen ..... D14/224  
 D570,836 S \* 6/2008 Chen ..... D14/253  
 D576,547 S \* 9/2008 Kling ..... D13/108  
 D578,061 S \* 10/2008 Kristensen ..... D13/110  
 D581,905 S \* 12/2008 Solland ..... D14/217  
 D621,347 S 8/2010 Aulwes et al.  
 7,830,116 B2 11/2010 Toya et al.  
 D631,481 S \* 1/2011 Floersch ..... D14/451  
 D643,844 S \* 8/2011 Akana ..... D14/447  
 D654,921 S \* 2/2012 Malsan ..... D14/447  
 D655,293 S 3/2012 Gioscia et al.  
 D656,151 S \* 3/2012 Maus ..... D14/385  
 D662,939 S \* 7/2012 Akana ..... D14/447  
 D693,353 S \* 11/2013 Shu ..... D14/447  
 D693,814 S \* 11/2013 Park ..... D14/434  
 D701,831 S 4/2014 Park et al.  
 D705,211 S \* 5/2014 Huang ..... D14/253  
 D719,960 S \* 12/2014 Akana ..... D14/447  
 9,041,347 B2 5/2015 Paschke et al.  
 D735,945 S \* 8/2015 Reishus ..... D28/73  
 D736,210 S \* 8/2015 Paradise ..... D14/434  
 D748,616 S \* 2/2016 Noble ..... D14/253  
 D765,867 S \* 9/2016 Pippel ..... D24/187  
 D774,248 S \* 12/2016 Jordan ..... D27/194  
 D782,685 S \* 3/2017 Pippel ..... D24/186  
 D786,789 S \* 5/2017 Jordan ..... D13/108  
 D836,569 S \* 12/2018 Kim ..... D13/168

D850,372 S \* 6/2019 Kong ..... D13/108  
 D855,563 S \* 8/2019 Brennan ..... D13/108  
 D855,564 S \* 8/2019 Brennan ..... D13/108  
 D856,289 S \* 8/2019 Bould ..... D13/168  
 D858,438 S \* 9/2019 Levy ..... D13/108  
 D859,401 S \* 9/2019 Kim ..... D14/358  
 D860,213 S \* 9/2019 Sheng ..... D14/447  
 D869,463 S \* 12/2019 Gagne-Keats ..... D14/358  
 D870,094 S \* 12/2019 Ma ..... D14/253  
 D872,096 S \* 1/2020 Siminoff ..... D14/447  
 D873,831 S \* 1/2020 DePaolo ..... D14/434  
 D875,675 S 2/2020 Zhang et al.  
 D875,736 S \* 2/2020 Ramones ..... D14/447  
 D877,738 S \* 3/2020 Altschul ..... D14/432  
 D884,619 S 5/2020 Liao  
 D884,622 S 5/2020 Huang  
 D885,404 S \* 5/2020 Lee ..... D14/447  
 D886,051 S 6/2020 Chen  
 D892,108 S \* 8/2020 Chih ..... D14/253  
 D895,636 S 9/2020 Yang et al.  
 D904,326 S \* 12/2020 Zhang ..... D13/183  
 D905,633 S \* 12/2020 Yoon ..... D13/108  
 D912,064 S \* 3/2021 DeFazio ..... D14/447

FOREIGN PATENT DOCUMENTS

CN 206498451 U 9/2017  
 CN 207010275 U 2/2018  
 CN 304805998 9/2018  
 CN 305507367 12/2019  
 CN 305938446 7/2020  
 WO WO D209871-001 8/2020

\* cited by examiner

FIG. 1

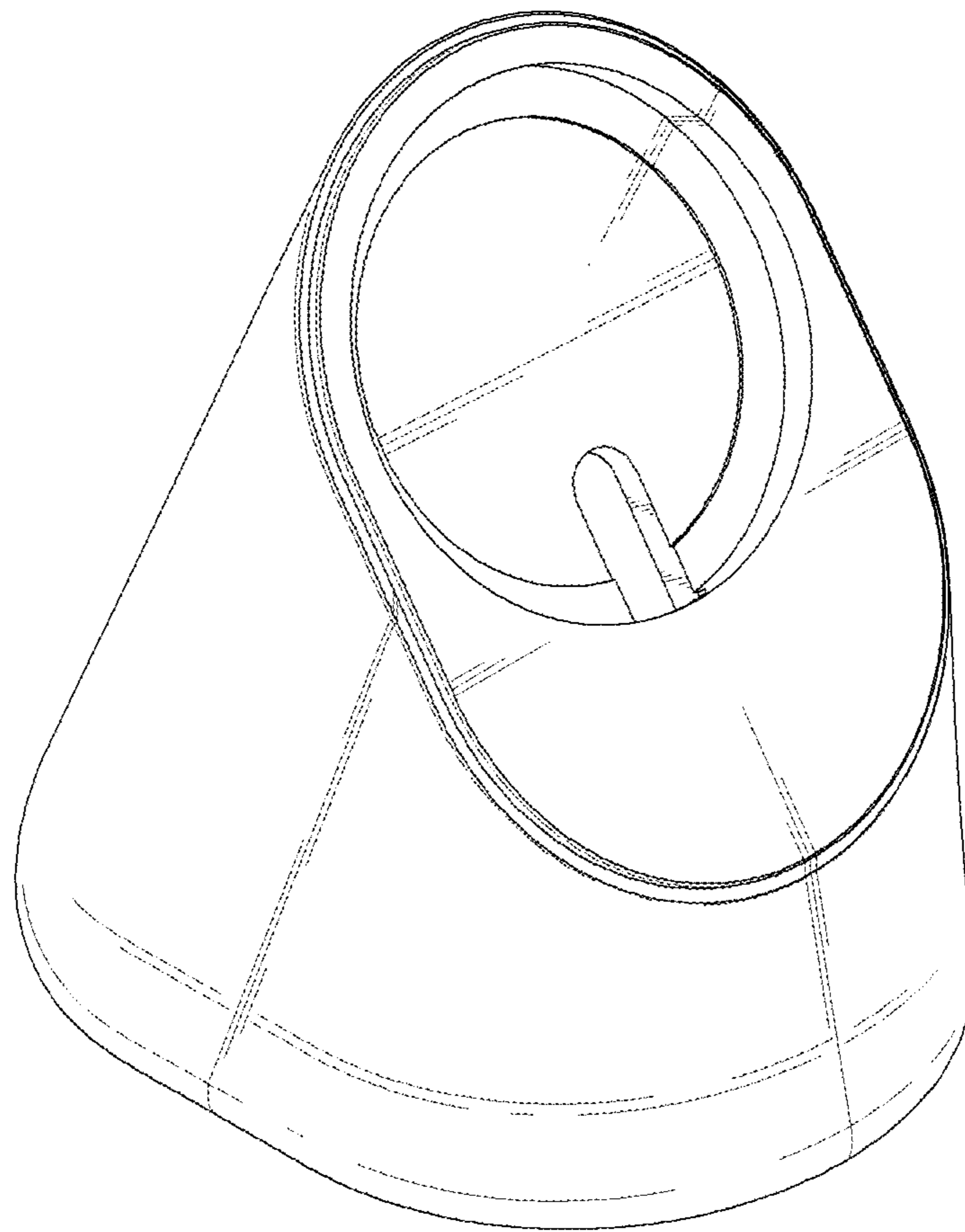


FIG. 2

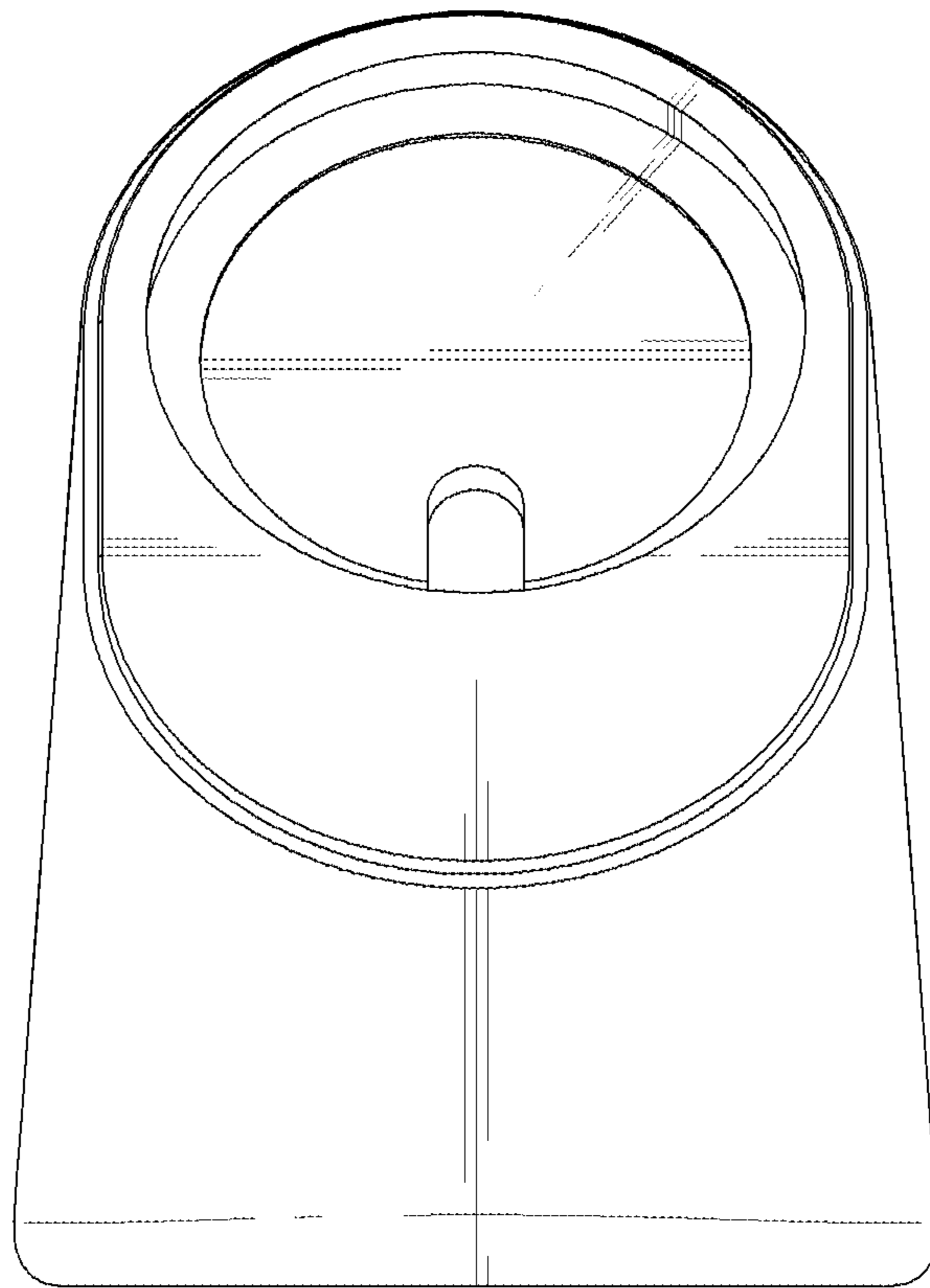


FIG. 3

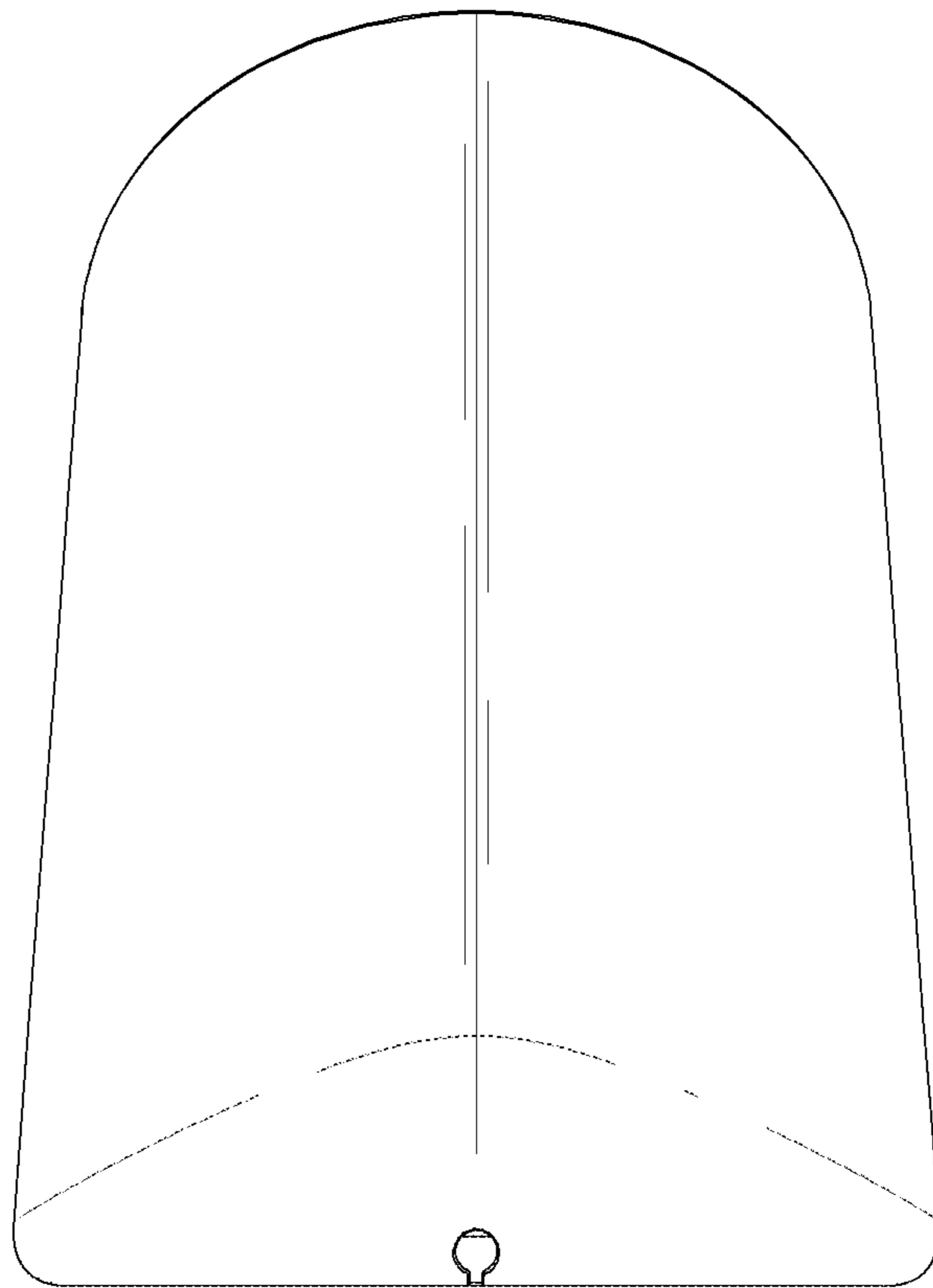


FIG. 4

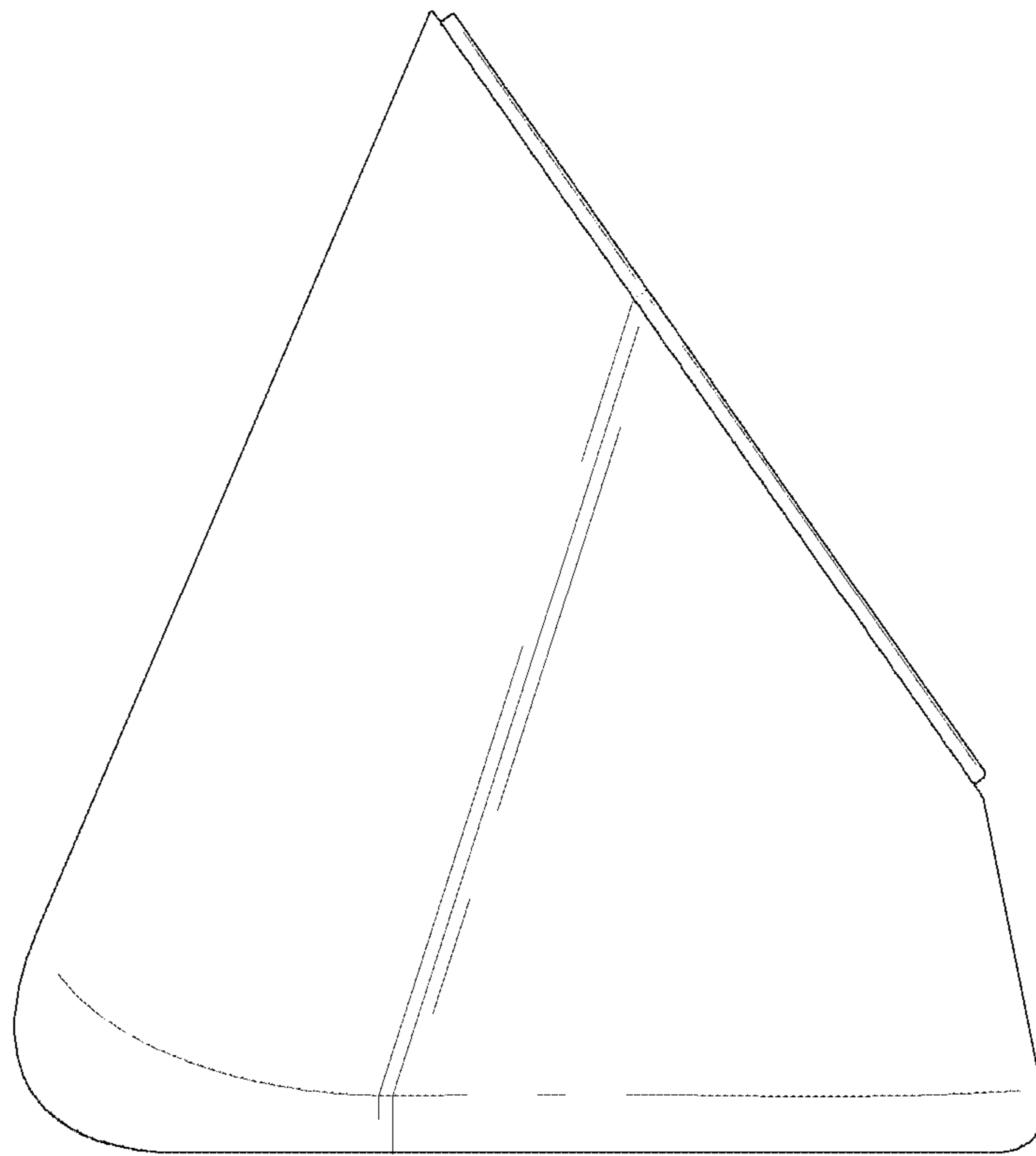


FIG. 5

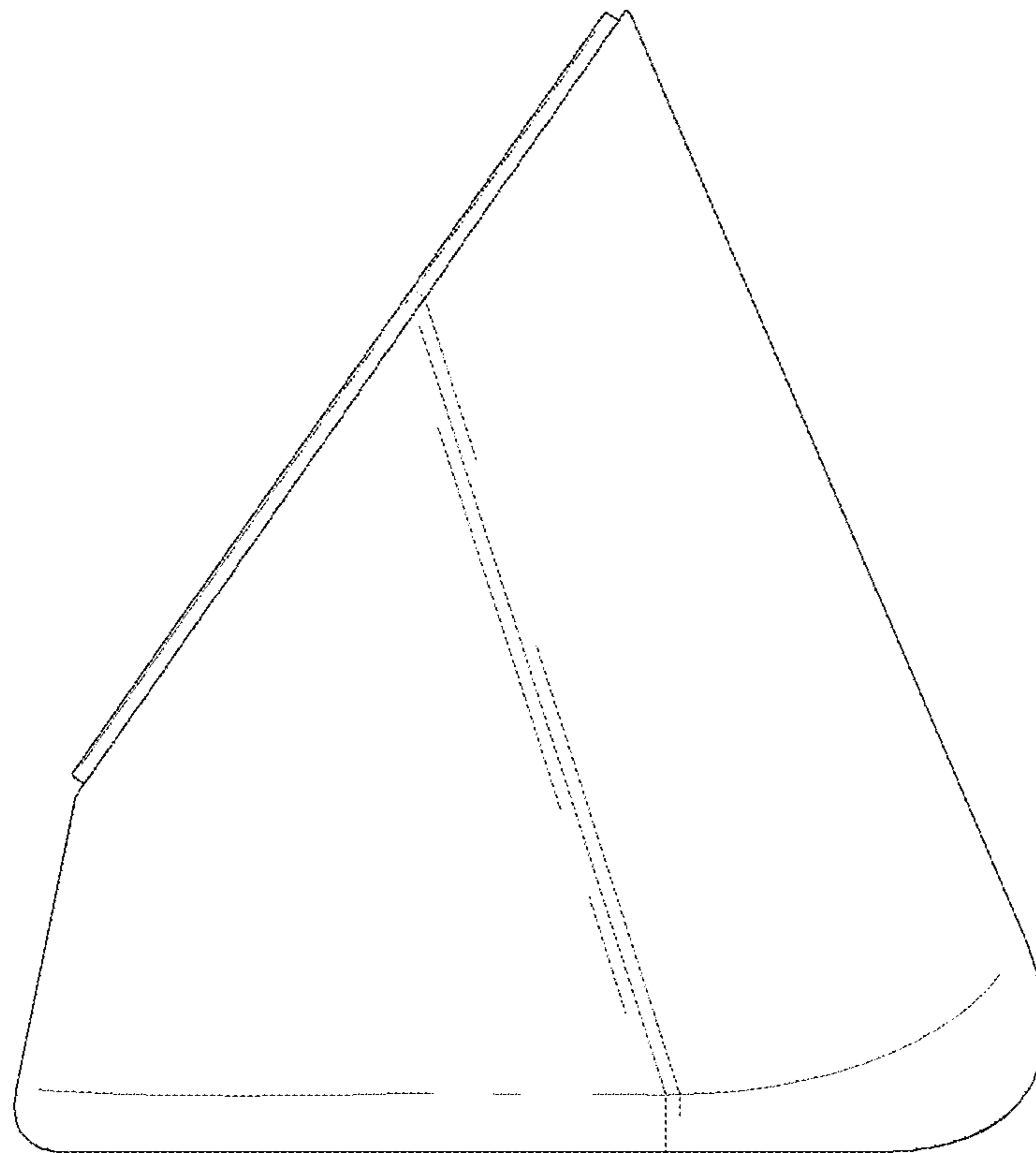


FIG. 6

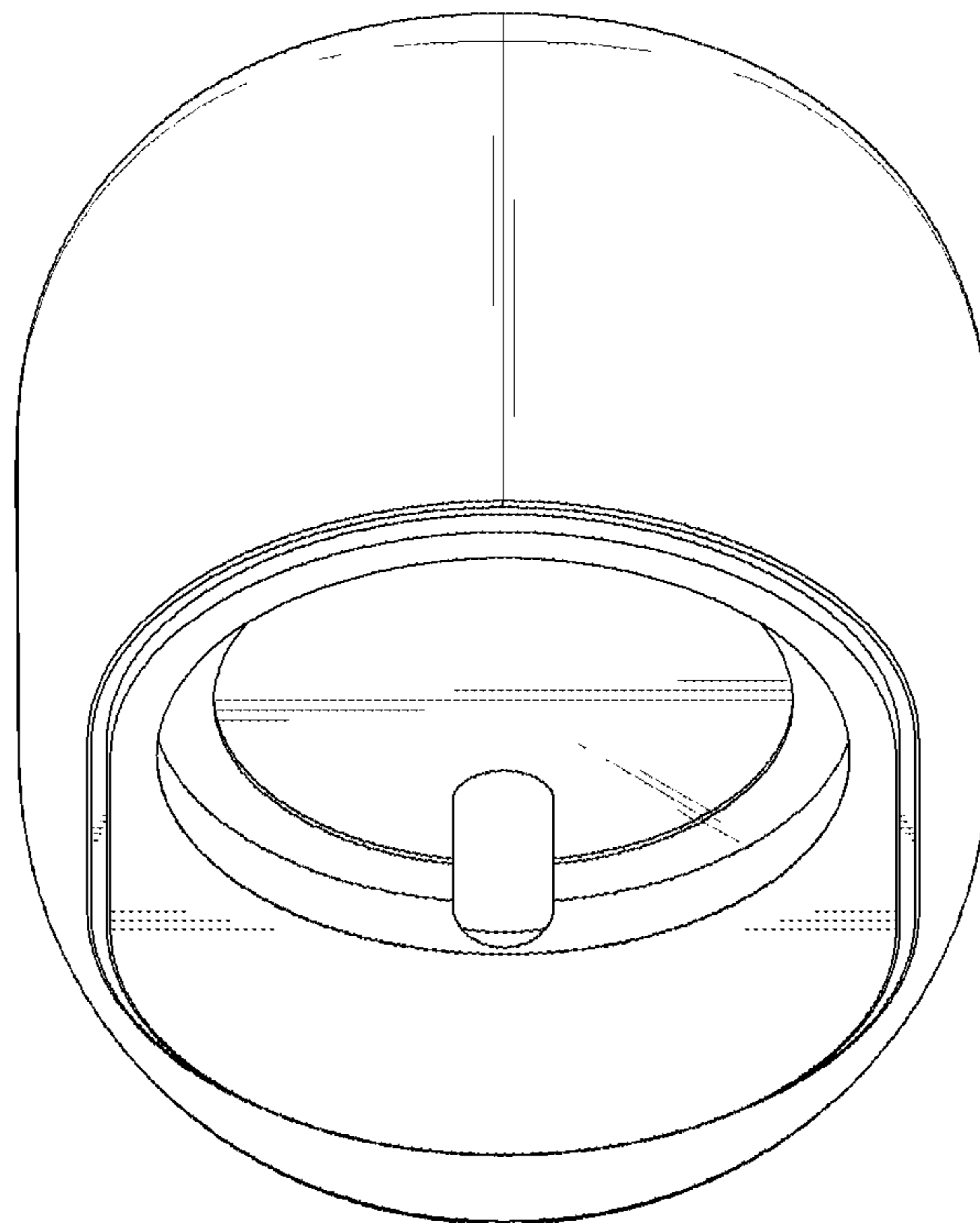




FIG. 7

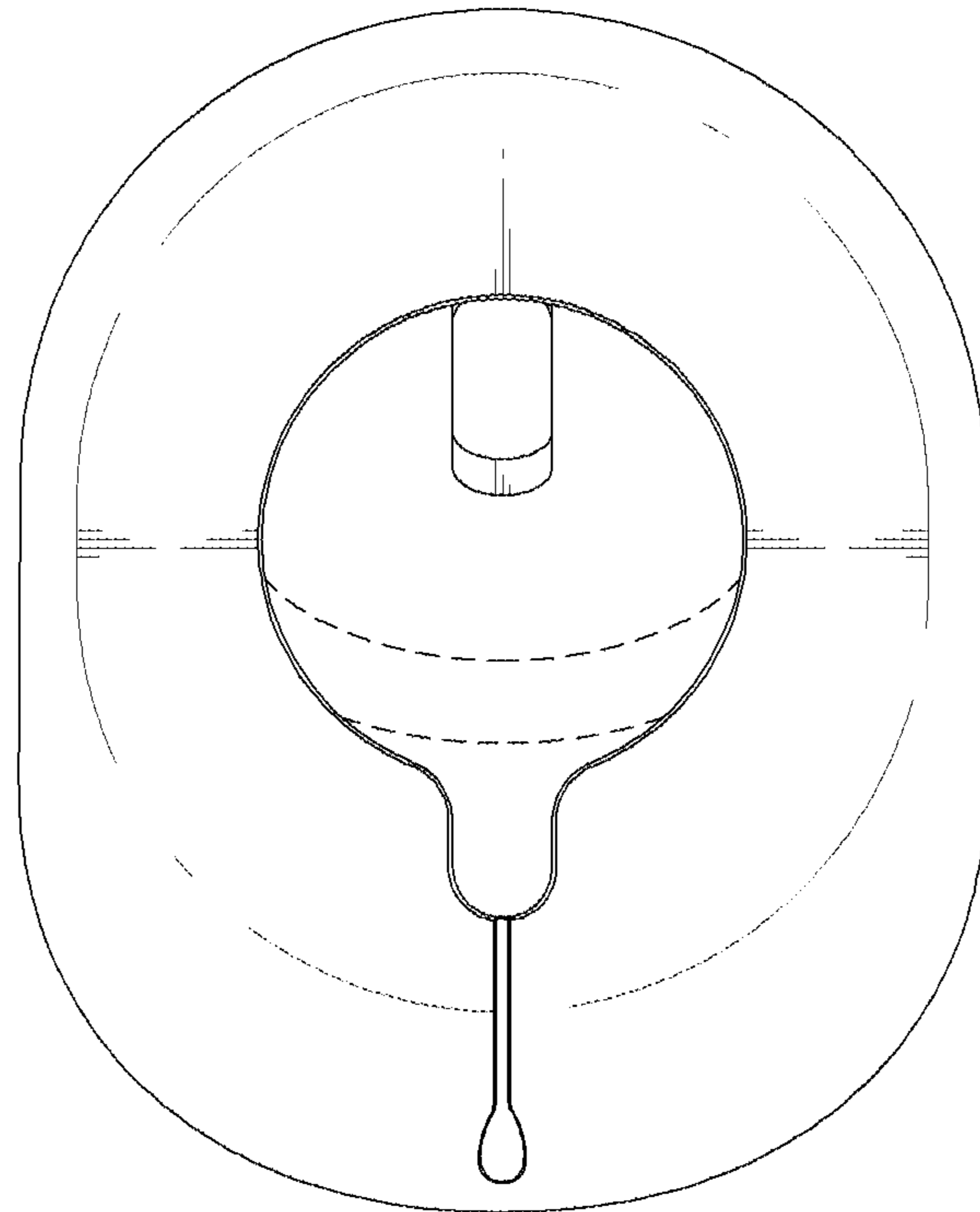


FIG. 8

