



US00D917493S

(12) **United States Design Patent**
Zhang

(10) **Patent No.:** **US D917,493 S**

(45) **Date of Patent:** **** Apr. 27, 2021**

(54) **PROTECTIVE CASE FOR TABLET PC WITH STAND**

(71) Applicant: **Hualin Zhang**, GuangDong (CN)

(72) Inventor: **Hualin Zhang**, GuangDong (CN)

(**) Term: **15 Years**

(21) Appl. No.: **29/758,542**

(22) Filed: **Nov. 17, 2020**

(30) **Foreign Application Priority Data**

Sep. 10, 2020 (CN) 202030536442.4

(51) **LOC (13) Cl.** **14-02**

(52) **U.S. Cl.**
USPC **D14/440**

(58) **Field of Classification Search**
USPC D14/440, 447, 250; 206/45.23, 320,
206/45.2; 361/679.55; 294/25; 224/218
CPC G06F 1/1628; G06F 1/1626; G06F 1/699;
A47B 23/044; H04B 1/3888
See application file for complete search history.

(56) **References Cited**

U.S. PATENT DOCUMENTS

D689,056 S *	9/2013	Li	D14/440
D690,704 S *	10/2013	Padilla	D14/440
D727,917 S *	4/2015	Yeo	D14/440
D733,154 S *	6/2015	Armstrong	D14/440
D752,052 S *	3/2016	Park	D14/440
D763,853 S *	8/2016	Pearce	D14/440
D766,249 S *	9/2016	Veltz	D14/440
D784,350 S *	4/2017	Li	D14/440
D790,550 S *	6/2017	Chen	D14/440
D803,221 S *	11/2017	Guo	D14/440
D806,080 S *	12/2017	Chen	D14/440
D807,366 S *	1/2018	Chen	D14/440
D807,369 S *	1/2018	Chen	D14/440

D808,973 S *	1/2018	Chen	D14/440
D811,412 S *	2/2018	McCurdy	D14/440
D812,620 S *	3/2018	Cheng	D14/440
D821,405 S *	6/2018	Chen	D14/440
D854,022 S *	7/2019	Chen	D14/440
D860,212 S *	9/2019	Ahn	D14/440
D862,478 S *	10/2019	Ahn	D14/440
D862,479 S *	10/2019	Ahn	D14/440
D862,480 S *	10/2019	Chan	D14/440
D863,313 S *	10/2019	Li	D14/440
D879,105 S *	3/2020	Li	D14/440
D886,109 S *	6/2020	Li	D14/440
D897,349 S *	9/2020	Li	D14/440
D898,035 S *	10/2020	Xu	D14/440
D898,747 S *	10/2020	Deng	
D906,336 S *	12/2020	Li	D14/440

(Continued)

Primary Examiner — Cynthia R Underwood

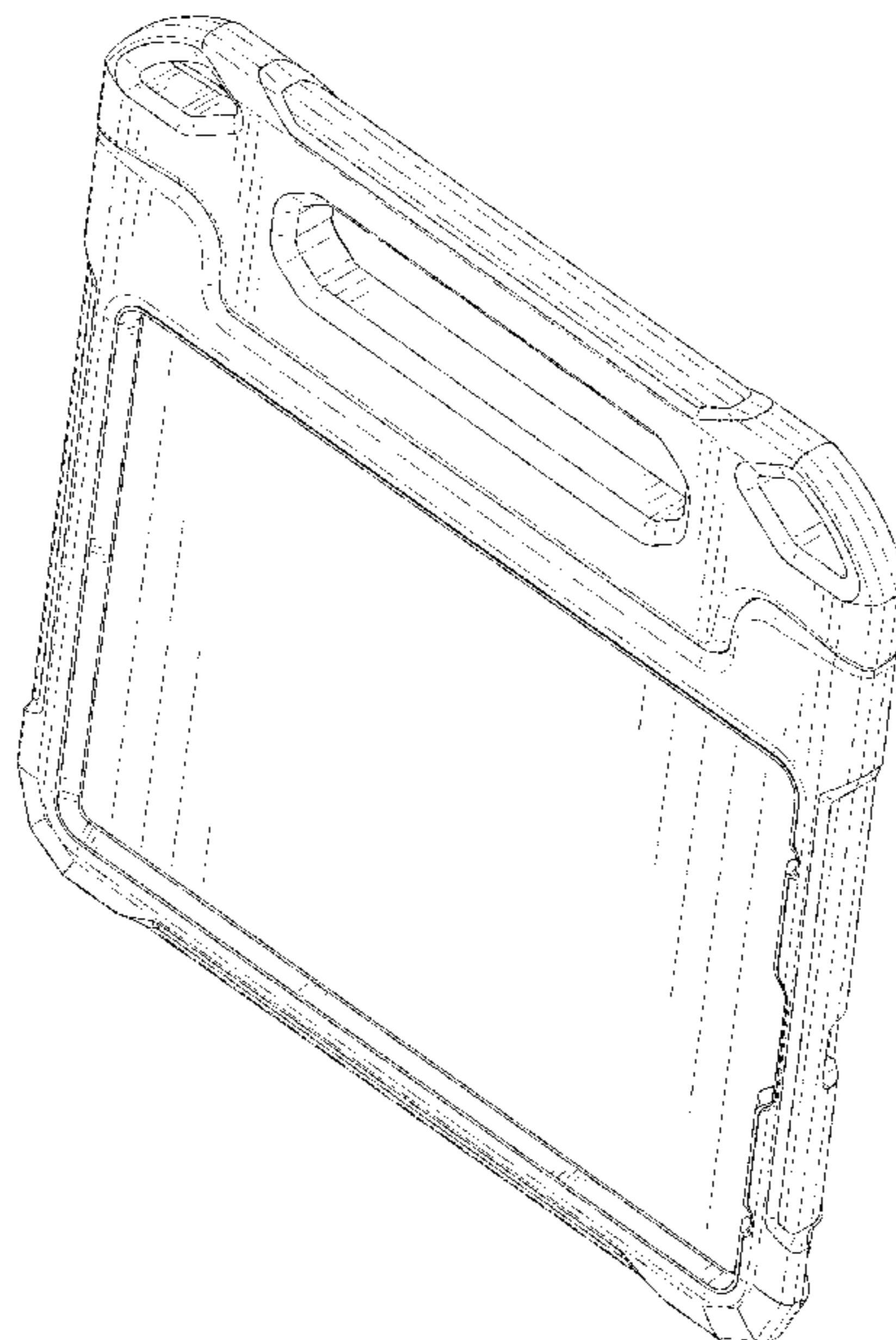
(57) **CLAIM**

The ornamental design for a protective case for tablet PC with stand, as shown and described.

DESCRIPTION

FIG. 1 is a front and top perspective view of a protective case for tablet PC with stand, showing my new design; FIG. 2 is a rear and bottom perspective view thereof; FIG. 3 is a front elevational view thereof; FIG. 4 is a rear elevational view thereof; FIG. 5 is a left side elevational view thereof; FIG. 6 is a right side elevational view thereof; FIG. 7 is a top plan view thereof; and FIG. 8 is a bottom plan view thereof; and, FIG. 9 is a rear and bottom perspective view thereof, showing the protective case for tablet PC with stand in a using position. The broken lines in the figures illustrate portions of the protective case for tablet PC with stand that form no part of the claimed design.

1 Claim, 9 Drawing Sheets



(56)

References Cited

U.S. PATENT DOCUMENTS

2012/0075799 A1* 3/2012 Pollex F16M 11/041
361/679.56
2017/0045920 A1* 2/2017 Armstrong G06F 1/1669
2017/0097698 A1* 4/2017 Maeshima G06F 3/03545

* cited by examiner

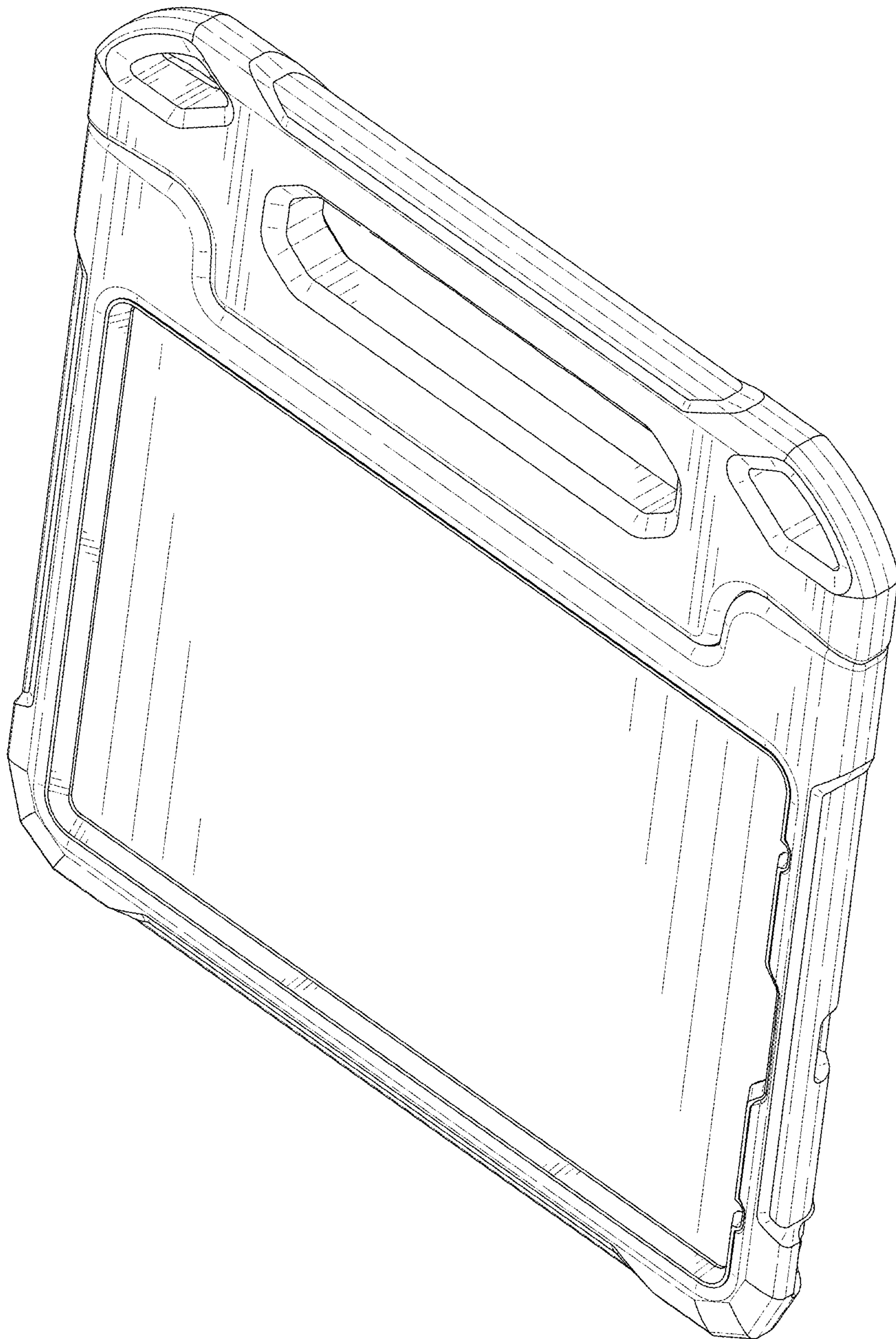


FIG. 1

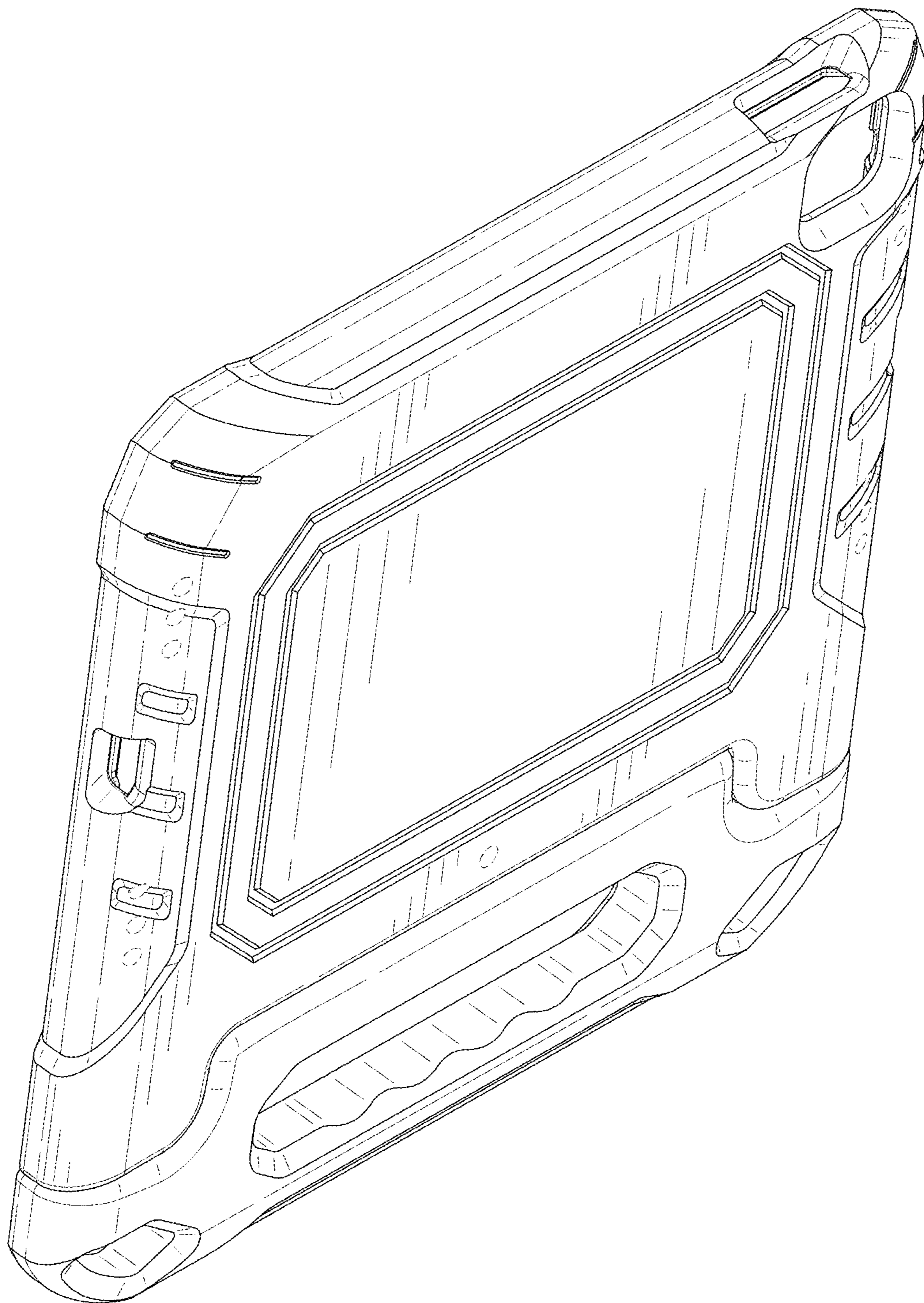


FIG. 2

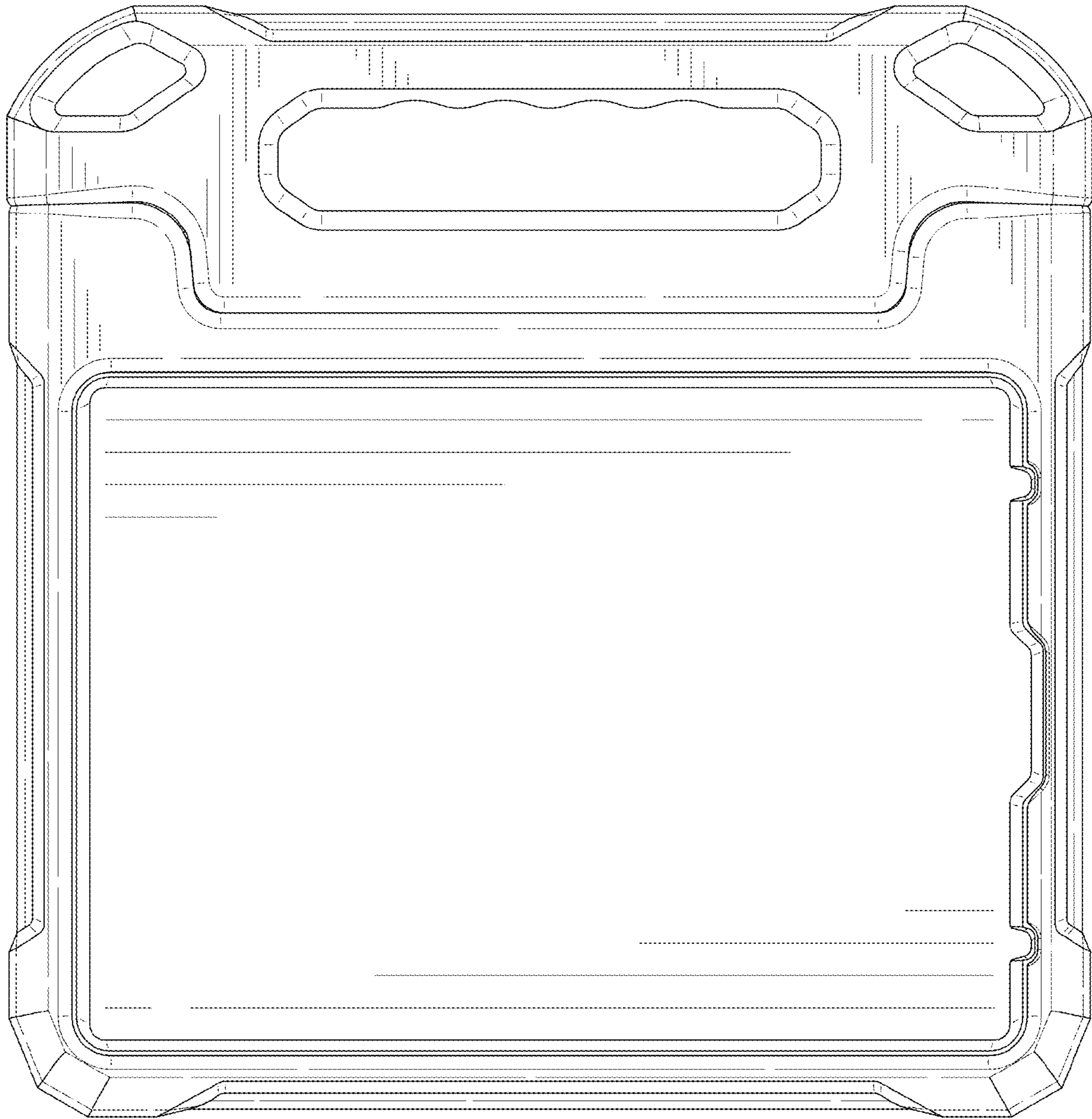


FIG. 3

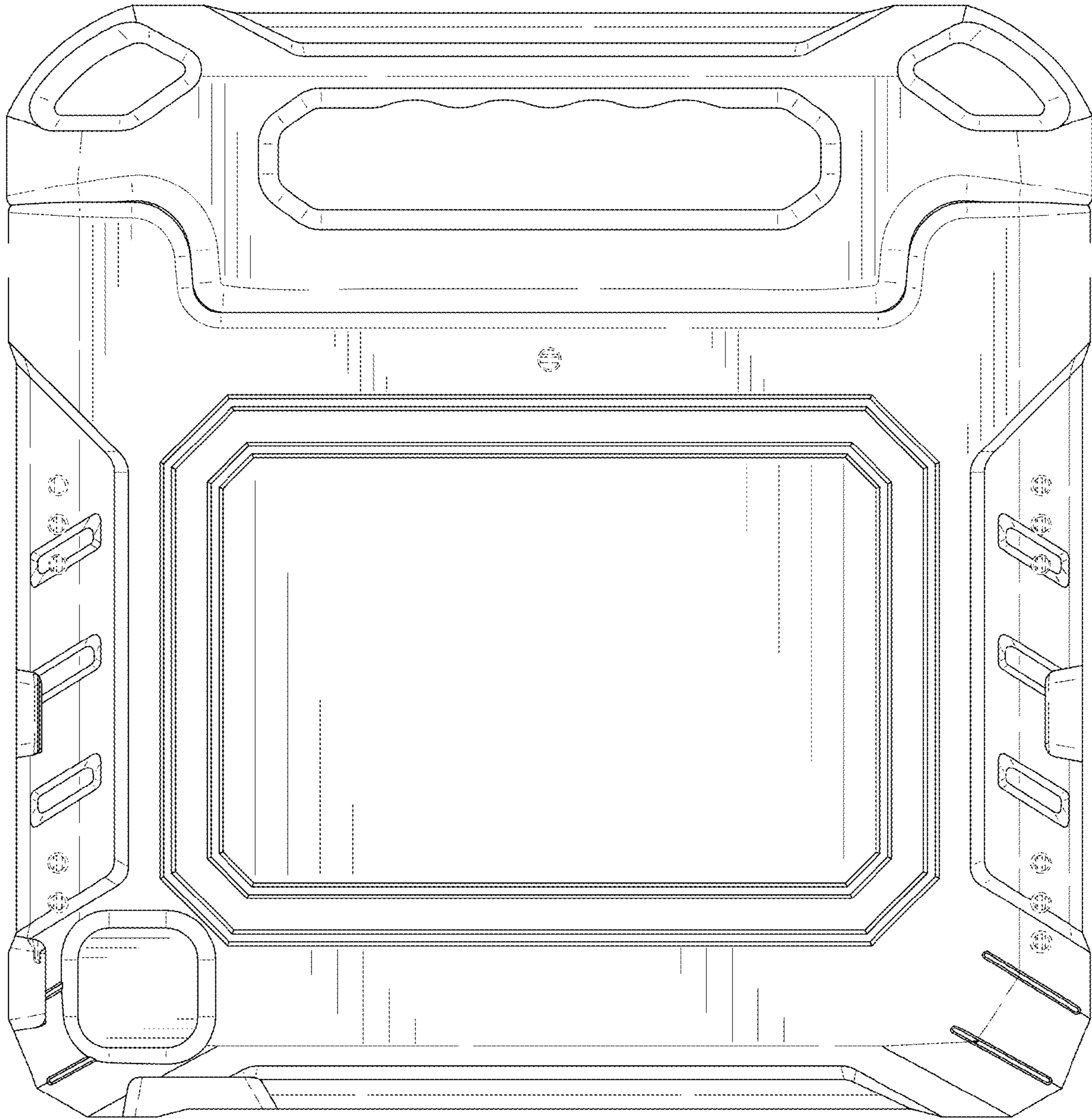


FIG. 4

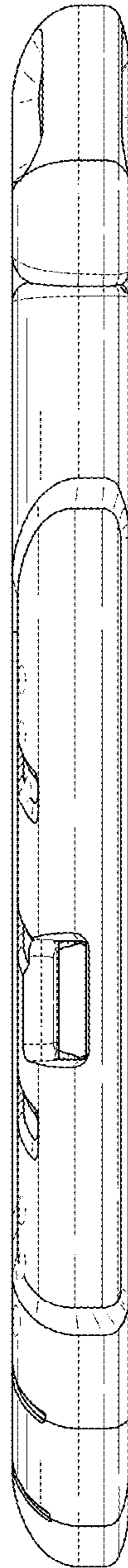


FIG. 5



FIG. 6

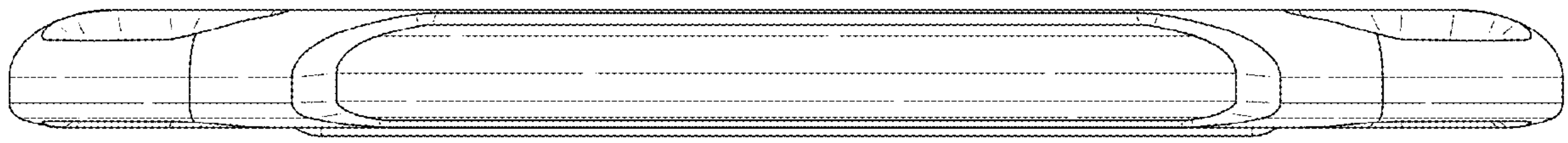


FIG. 7

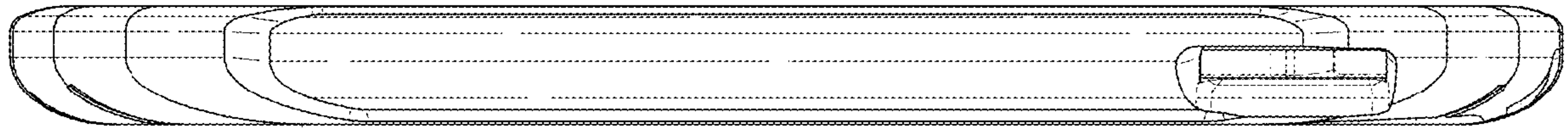


FIG. 8

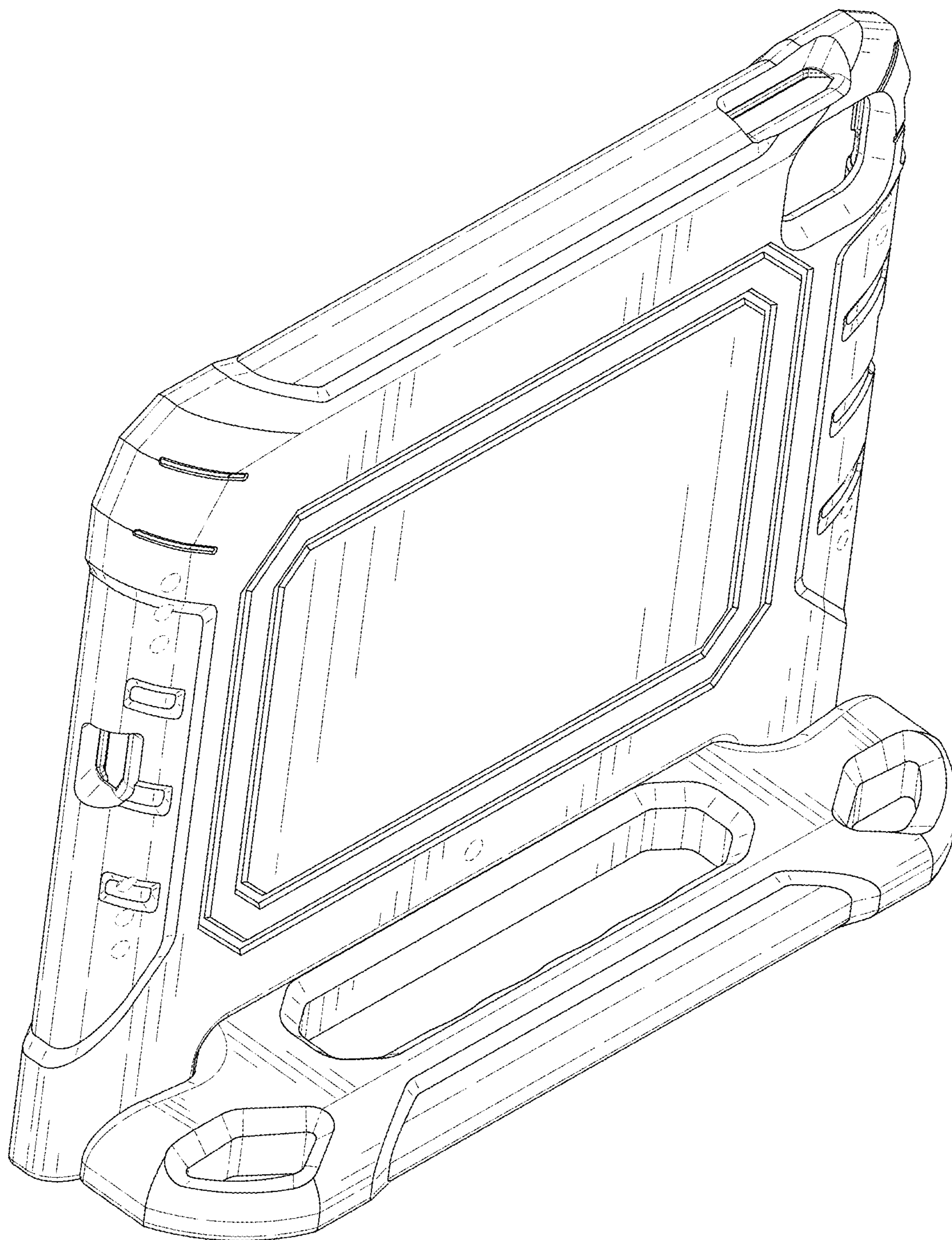


FIG. 9