



US00D917491S

(12) **United States Design Patent**
Cheng

(10) **Patent No.:** **US D917,491 S**

(45) **Date of Patent:** **** Apr. 27, 2021**

(54) **PLATE COVER**

(71) Applicant: **Fang Cheng**, Anqing (CN)

(72) Inventor: **Fang Cheng**, Anqing (CN)

(**) Term: **15 Years**

(21) Appl. No.: **29/689,188**

(22) Filed: **Apr. 28, 2019**

(51) **LOC (13) Cl.** **14-02**

(52) **U.S. Cl.**
USPC **D14/440**

(58) **Field of Classification Search**
USPC D14/440, 447, 250; 206/45.23, 320,
206/45.2; 361/679.55; 294/25; 224/218
CPC G06F 1/1628; G06F 1/1626; G06F 1/699;
A47B 23/044; H04B 1/3888
See application file for complete search history.

(56) **References Cited**

U.S. PATENT DOCUMENTS

6,726,070	B2 *	4/2004	Lautner	A44C 5/0007	224/221
D721,376	S *	1/2015	Lee	D14/440	
D747,321	S *	1/2016	London	D14/440	
D749,592	S *	2/2016	Huang	D14/440	
D763,853	S *	8/2016	Pearce	D14/440	
D806,083	S *	12/2017	Armstrong	D14/440	
D811,412	S *	2/2018	McCurdy	D14/440	
D817,316	S *	5/2018	Srour	D14/251	
D837,219	S *	1/2019	Gao	D14/440	
D852,802	S *	7/2019	Gao	D14/440	
D879,104	S *	3/2020	Li	D14/440	
D881,893	S *	4/2020	Zanxiang	D14/440	
D883,987	S *	5/2020	Cheng	D14/440	
D897,348	S *	9/2020	Liao	D14/440	
D898,036	S *	10/2020	Cheng	D14/440	
D908,708	S *	1/2021	Miller	D14/440	
2004/0226973	A1 *	11/2004	Kao	F16M 11/041	224/218

2007/0215512	A1 *	9/2007	Bellissimo	A47G 23/0625	206/557
2009/0219677	A1 *	9/2009	Mori	A45F 3/14	361/679.03
2011/0267748	A1 *	11/2011	Lane	A45F 5/00	361/679.01
2011/0309117	A1 *	12/2011	Roberts	A45F 5/00	224/217
2012/0091312	A1 *	4/2012	Baker	F16M 13/00	248/682
2014/0054910	A1 *	2/2014	Kim	H04B 1/385	294/158
2014/0152034	A1 *	6/2014	Tussy	F16M 13/04	294/142
2015/0009610	A1 *	1/2015	London	G06F 1/163	361/679.03
2017/0045920	A1 *	2/2017	Armstrong	G06F 1/1626	

* cited by examiner

Primary Examiner — Cynthia R Underwood

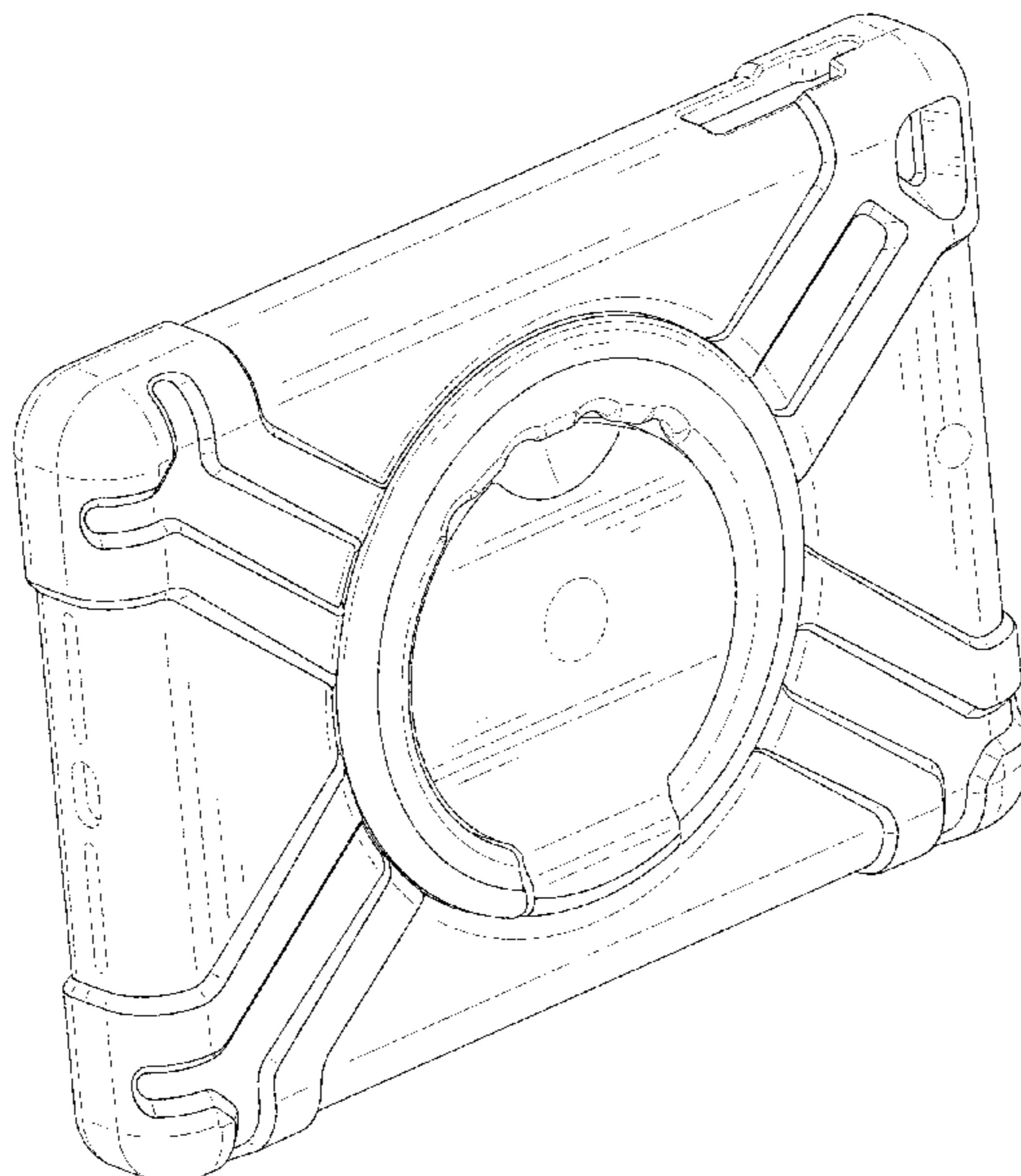
(57) **CLAIM**

The ornamental design for a plate cover, as shown and described.

DESCRIPTION

FIG. 1 is a first perspective view of a plate cover showing my design;
FIG. 2 is a second perspective view thereof;
FIG. 3 is a front view thereof;
FIG. 4 is a back view thereof;
FIG. 5 is a left side view thereof;
FIG. 6 is a right side view thereof;
FIG. 7 is a top view thereof; and,
FIG. 8 is a bottom view thereof.
The broken lines shown in the drawings depict portions of the plate cover in which the design is embodied that form no part of the claimed design.

1 Claim, 8 Drawing Sheets



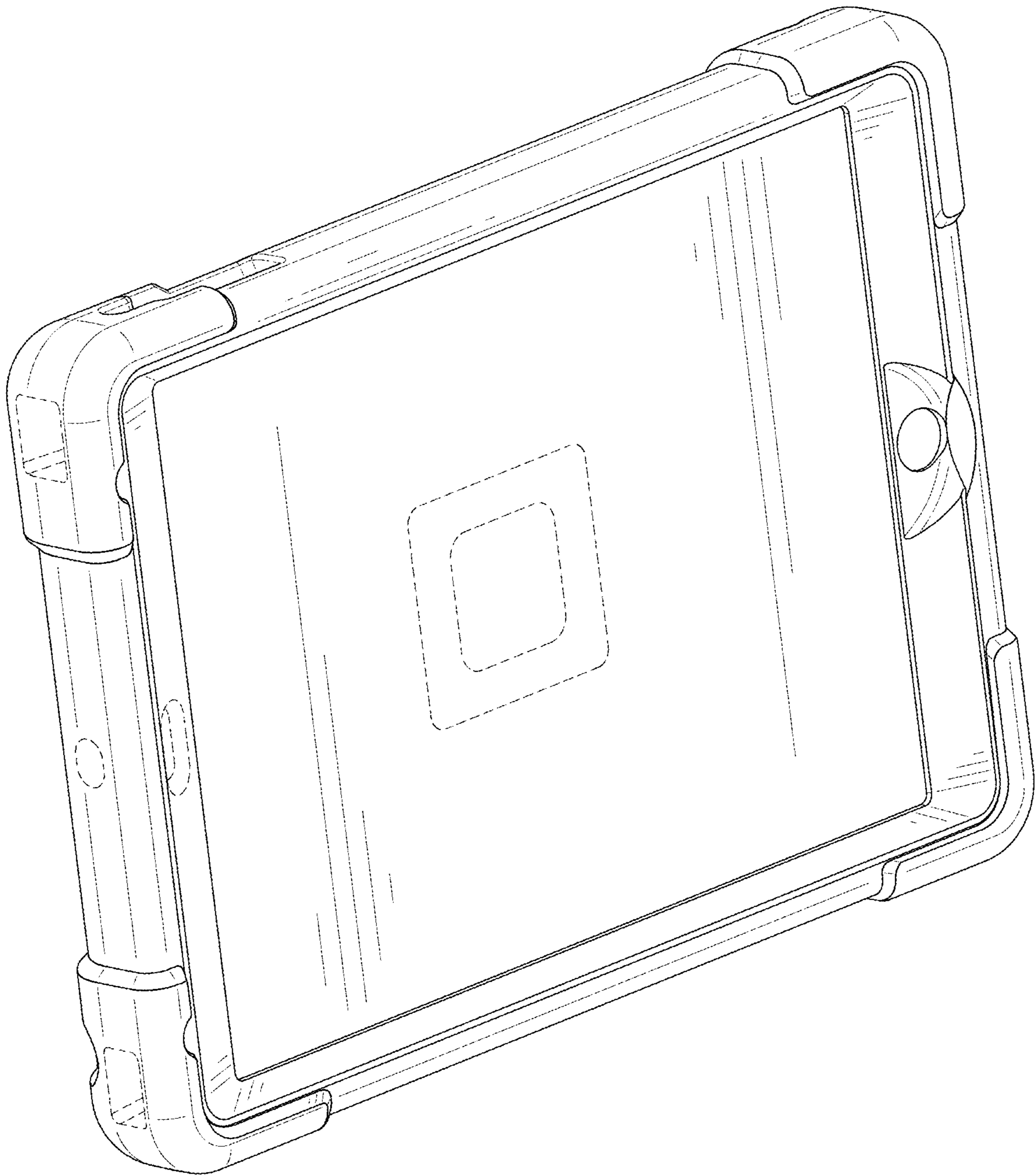


FIG. 1

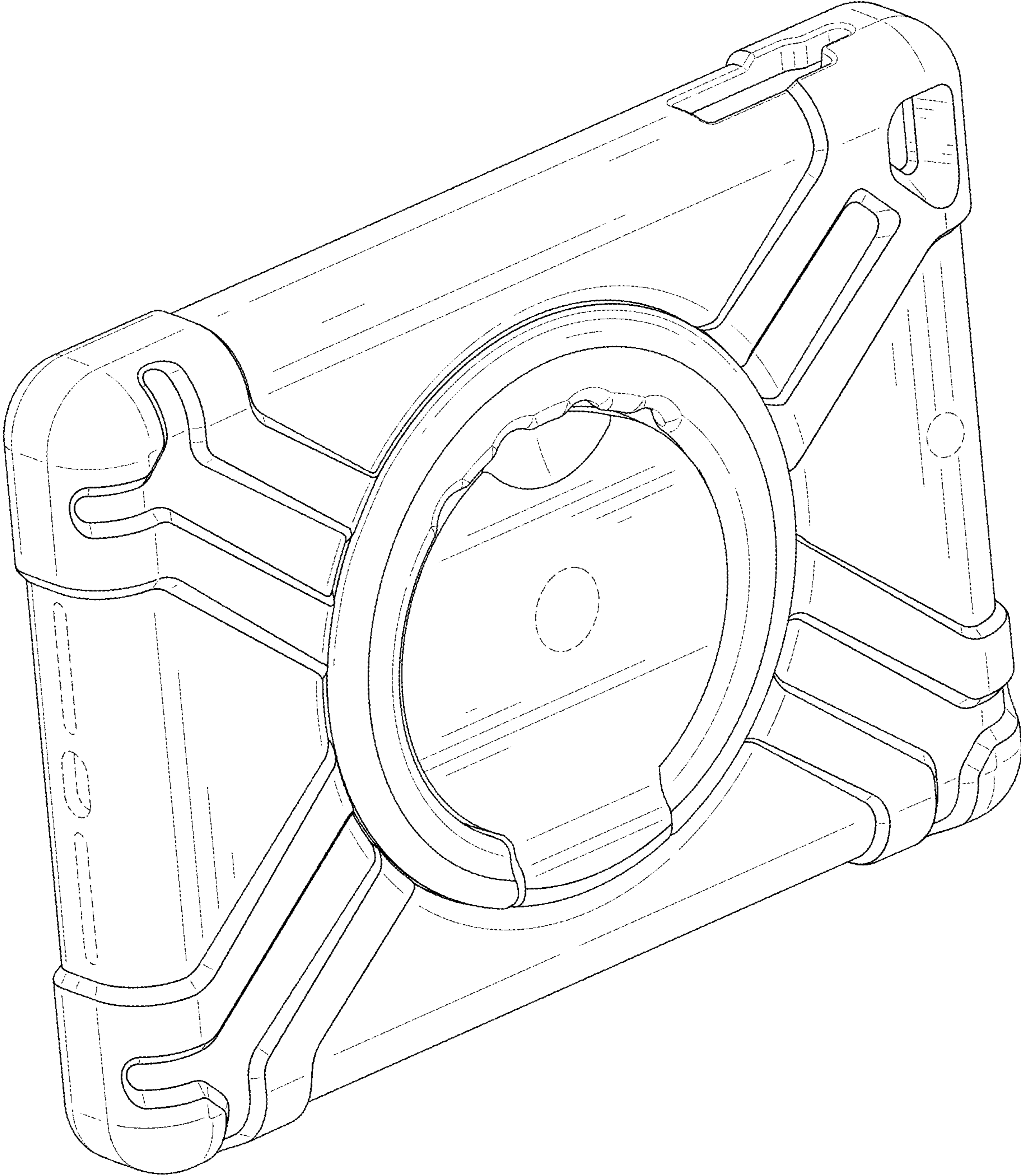


FIG. 2

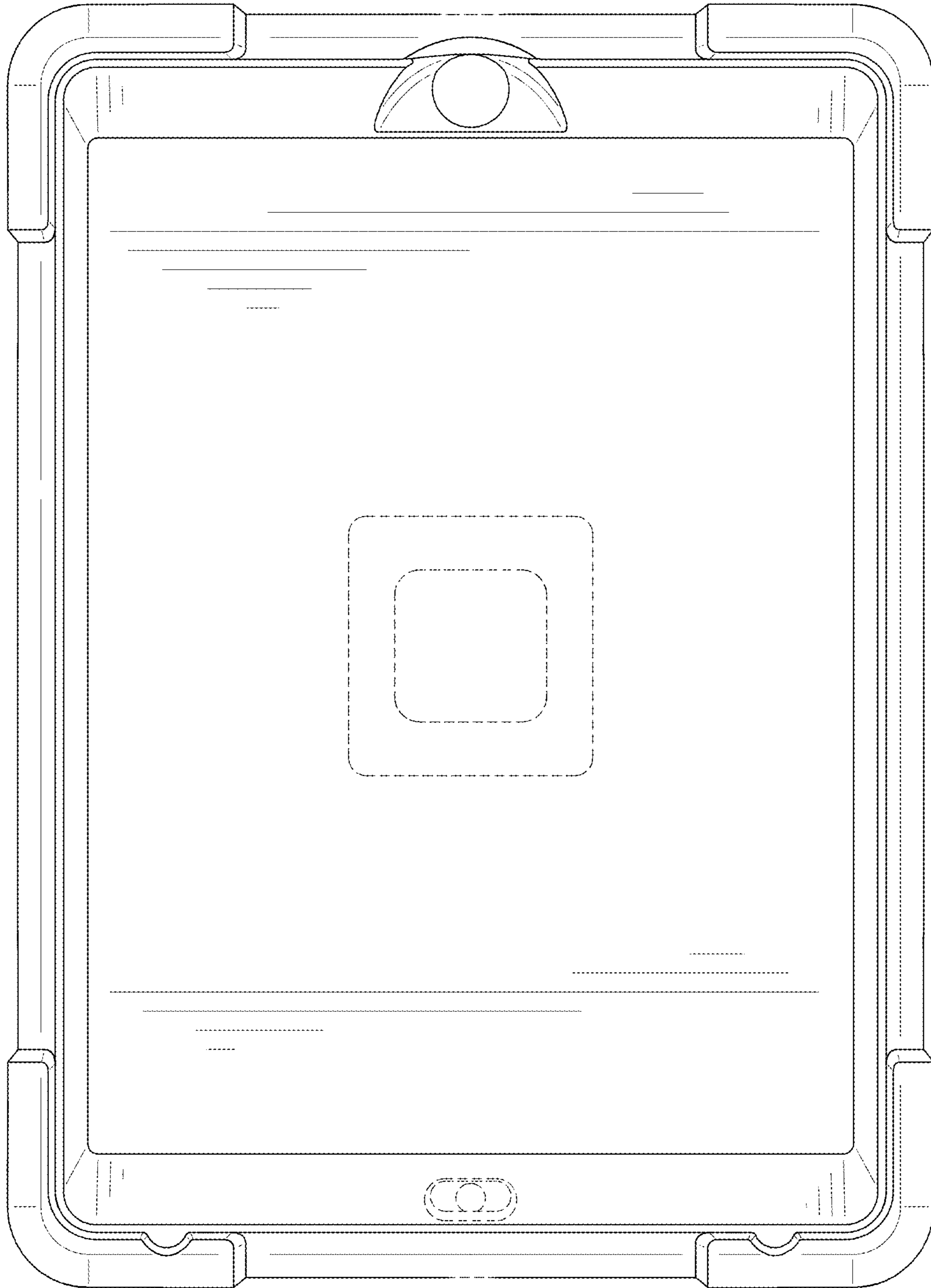


FIG. 3

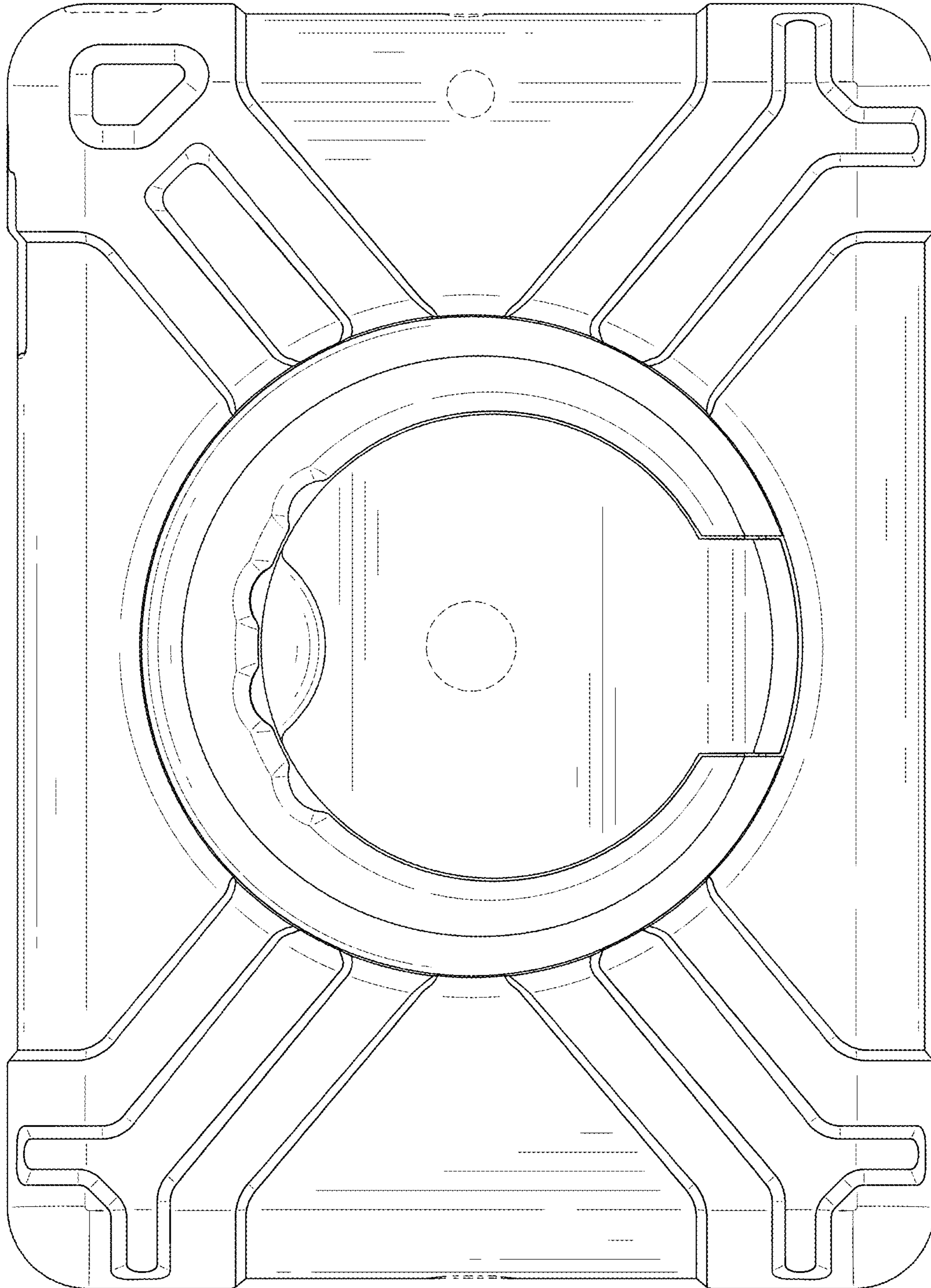


FIG. 4

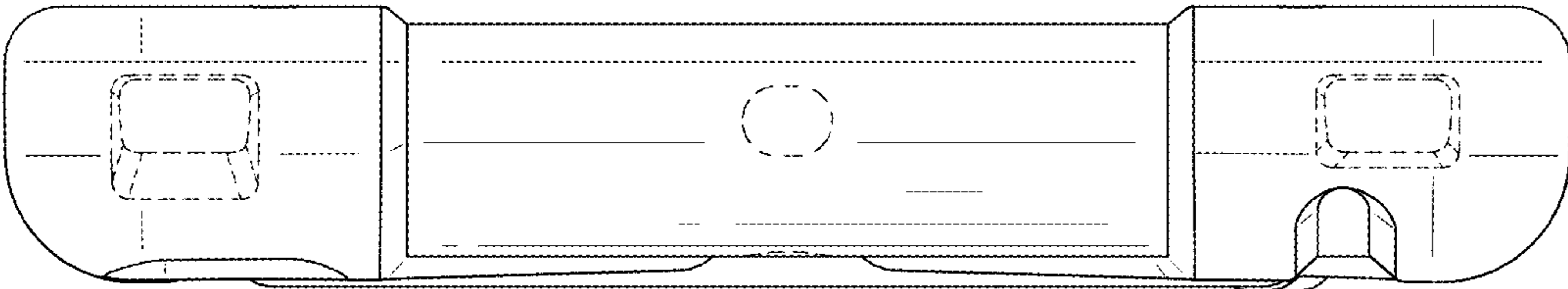


FIG. 5

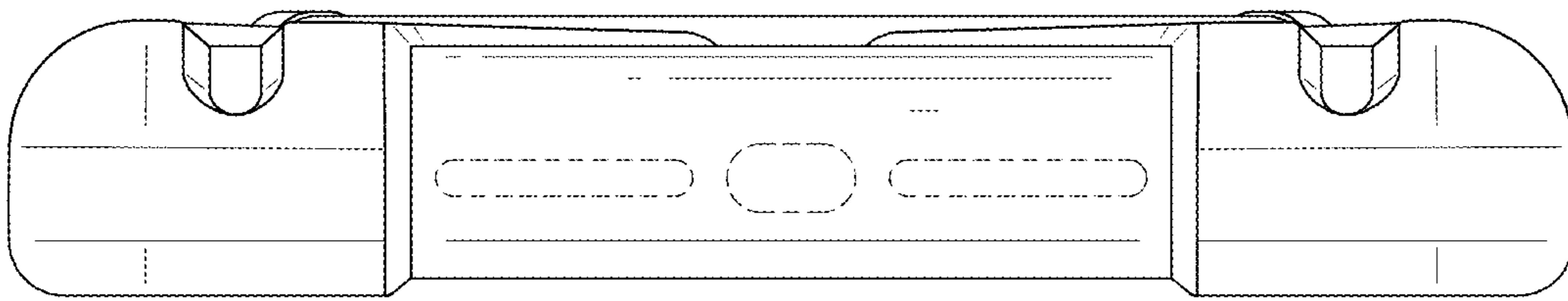


FIG. 6

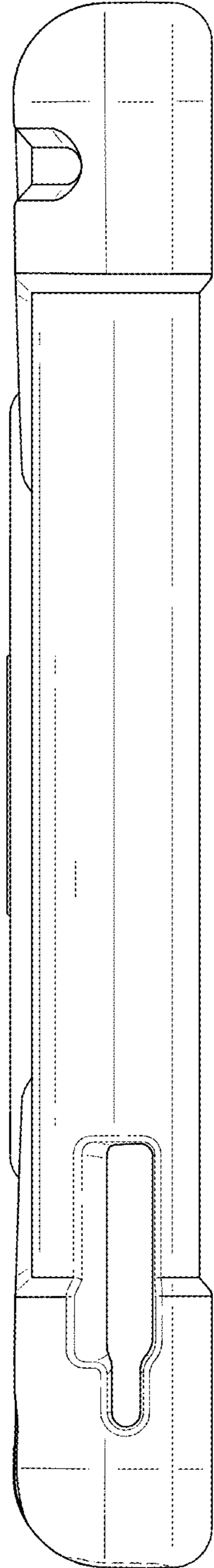


FIG. 7

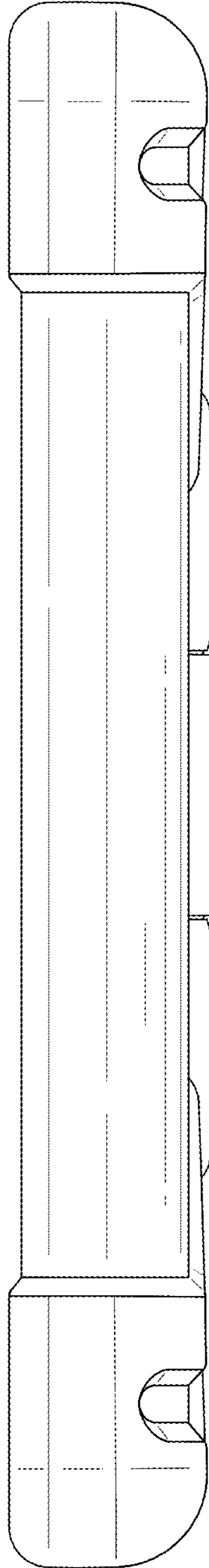


FIG. 8