



US00D917488S

(12) **United States Design Patent**
Sun et al.

(10) **Patent No.:** **US D917,488 S**

(45) **Date of Patent:** **** Apr. 27, 2021**

(54) **ADAPTER**

(71) Applicants: **Chia-Chi Sun**, Taipei (TW); **Yun-Tung Pai**, Taipei (TW); **Yen-Hua Hsiao**, Taipei (TW); **Yi-Hsuan Lin**, Taipei (TW); **Jui-Hsien Chien**, Taipei (TW); **Han-Sheng Siao**, Taipei (TW)

(72) Inventors: **Chia-Chi Sun**, Taipei (TW); **Yun-Tung Pai**, Taipei (TW); **Yen-Hua Hsiao**, Taipei (TW); **Yi-Hsuan Lin**, Taipei (TW); **Jui-Hsien Chien**, Taipei (TW); **Han-Sheng Siao**, Taipei (TW)

(73) Assignee: **COMPAL ELECTRONICS, INC.**, Taipei (TW)

(**) Term: **15 Years**

(21) Appl. No.: **29/661,041**

(22) Filed: **Aug. 24, 2018**

(51) **LOC (13) Cl.** **14-02**

(52) **U.S. Cl.**
USPC **D14/434; D14/433**

(58) **Field of Classification Search**
USPC ... **D14/434, 433, 435, 435.1, 356, 357, 358, D14/440, 447, 251-253, 432, 451, 452,**
(Continued)

(56) **References Cited**

U.S. PATENT DOCUMENTS

D331,395 S * 12/1992 Lou D13/147
D336,467 S * 6/1993 Pooley D13/147
(Continued)

FOREIGN PATENT DOCUMENTS

TW D186594 11/2017

OTHER PUBLICATIONS

UniSlim_iF World Design Guide. ifworlddesignguide.com. (online)

3 pgs. Launch Date 2019. [Retrieved on Aug. 6, 2019] https://ifworlddesignguide.com/entry/248254-unislim.*

(Continued)

Primary Examiner — Marie D. Fast Horse
(74) *Attorney, Agent, or Firm* — JCIPRNET

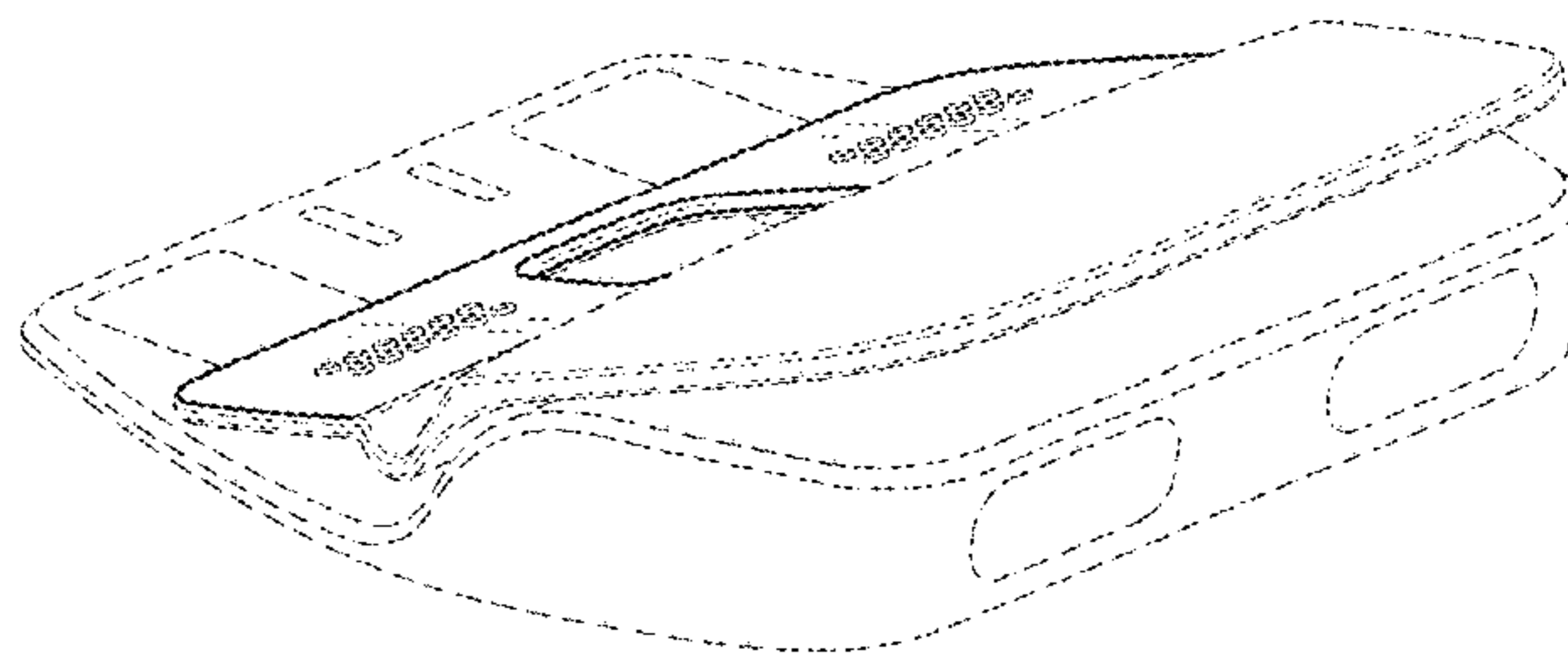
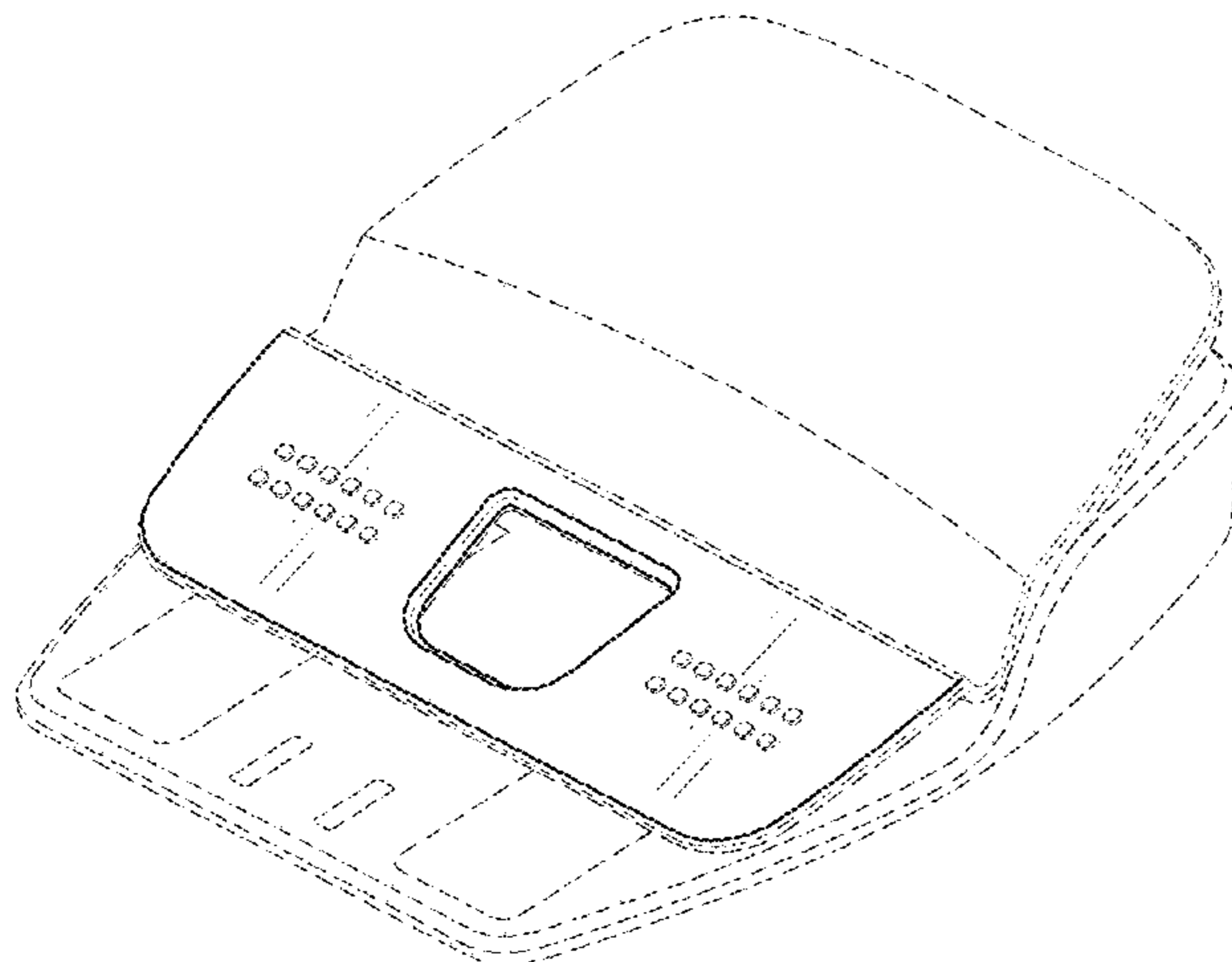
(57) **CLAIM**

The ornamental design for an adapter, as shown and described.

DESCRIPTION

FIG. 1 is a front, right, top perspective view of an adapter showing our new design;
FIG. 2 is a rear, right, bottom perspective view thereof;
FIG. 3 is a rear, right, top perspective view thereof;
FIG. 4 is a front view thereof;
FIG. 5 is a rear view thereof;
FIG. 6 is a left side view thereof;
FIG. 7 is a right side view thereof;
FIG. 8 is a top view thereof;
FIG. 9 is a bottom view thereof;
FIG. 10 is a front, right, top perspective view thereof with the upper member of the adapter opened relative to the lower member of the adapter;
FIG. 11 is a rear, right, bottom perspective view thereof with the upper member of the adapter opened relative to the lower member of the adapter;
FIG. 12 is a rear, right, top perspective view thereof with the upper member of the adapter opened relative to the lower member of the adapter;
FIG. 13 is a front view thereof with the upper member of the adapter opened relative to the lower member of the adapter;
FIG. 14 is a rear view thereof with the upper member of the adapter opened relative to the lower member of the adapter;
FIG. 15 is a left side view thereof with the upper member of the adapter opened relative to the lower member of the adapter;
FIG. 16 is a right side view thereof with the upper member of the adapter opened relative to the lower member of the

(Continued)



adapter; FIG. 17 is a top view thereof with the upper member of the adapter opened relative to the lower member of the adapter;

FIG. 18 is a bottom view thereof with the upper member of the adapter opened relative to the lower member of the adapter;

FIG. 19 is a perspective view thereof with the adapter clamped to a notebook computer in an open state;

FIG. 20 is an enlarged view of the portion, labeled '20' of FIG. 19;

FIG. 21 is a perspective view thereof with the adapter clamped to a notebook computer in a closed state; and,

FIG. 22 is an enlarged view of the portion, labeled '22' of FIG. 21.

The dot-dot-dash broken lines depict reference to the enlargements shown in FIGS. 19-22 and form no part of the claim. The dashed broken line showing the additional notebook computer in FIGS. 19-22 depict environmental subject matter only and form no part of the claim, while all other dashed broken lines depict portions of the adapter that form no part of the claimed design. The dot-dash broken lines represent the boundaries of the claimed design, and form no part thereof.

1 Claim, 18 Drawing Sheets

(58) **Field of Classification Search**

USPC D14/454, 217, 240, 299, 496, 171;
 D13/103, 107, 108, 184, 110, 123, 133,
 D13/135; D21/333; D8/395, 394;
 D19/65, 86, 99, 76
 CPC G06F 1/1632; G06F 13/00; G06F 13/38;
 G06F 13/382; G06F 13/385; G06F
 13/387; G06F 3/065; G06F 9/541; G06F
 2213/3814; G06F 2213/40; G06F
 2213/4004; H01R 31/06; H01R 31/065;
 H01R 27/00; H04R 5/04

See application file for complete search history.

(56) **References Cited**

U.S. PATENT DOCUMENTS

D338,193 S * 8/1993 Sasaki D13/147
 D339,116 S * 9/1993 Gates D13/147

D361,324 S * 8/1995 Rogers D14/434
 D455,339 S * 4/2002 Tsai D19/65
 D455,431 S * 4/2002 Freitag D14/432
 D456,008 S * 4/2002 Kawanobe D13/110
 D467,974 S * 12/2002 Holland D19/65
 D478,628 S * 8/2003 Sheldon D19/65
 D486,863 S * 2/2004 Coe D19/65
 D488,834 S * 4/2004 Mandel D19/65
 D497,183 S * 10/2004 Chiu D19/65
 D558,774 S * 1/2008 Najima D14/447
 D573,089 S * 7/2008 Mandel D13/107
 D626,116 S * 10/2010 Andre D14/217
 D635,918 S * 4/2011 Le D13/108
 D639,810 S * 6/2011 Hwang D14/434
 D643,842 S * 8/2011 Marshall D14/434
 8,076,584 B2 * 12/2011 Huang H02G 3/32
 174/135
 D652,834 S * 1/2012 Jones D14/434
 D659,095 S * 5/2012 McManigal D13/110
 D662,938 S * 7/2012 Marshall D14/434
 D672,752 S * 12/2012 Shimizu D14/217
 D675,623 S * 2/2013 Chen D14/434
 D679,712 S * 4/2013 McParland D14/434
 D679,713 S * 4/2013 McParland D14/434
 D689,869 S * 9/2013 Bae D14/434
 D691,608 S * 10/2013 Samuels D14/434
 D691,609 S * 10/2013 Woodman D14/434
 D692,895 S * 11/2013 Iwata D14/434
 D715,772 S * 10/2014 Kim D14/218
 D715,773 S * 10/2014 Kim D14/218
 D757,730 S * 5/2016 Fletcher D14/434
 D769,878 S * 10/2016 Fletcher D14/434
 D774,934 S * 12/2016 Akana D10/104.1
 D777,592 S * 1/2017 Benoit D10/104.1
 D795,876 S * 8/2017 Fletcher D14/434
 D798,870 S * 10/2017 Hamra D14/447
 D801,976 S * 11/2017 Li D14/440
 D851,037 S * 6/2019 Diez D13/108
 D864,112 S * 10/2019 Chen D13/110
 D885,390 S * 5/2020 Sun D14/433
 D897,344 S * 9/2020 Li D14/434

OTHER PUBLICATIONS

“Office Action of Taiwan Counterpart Application”, dated Jan. 31, 2020, p. 1-p. 3.

* cited by examiner

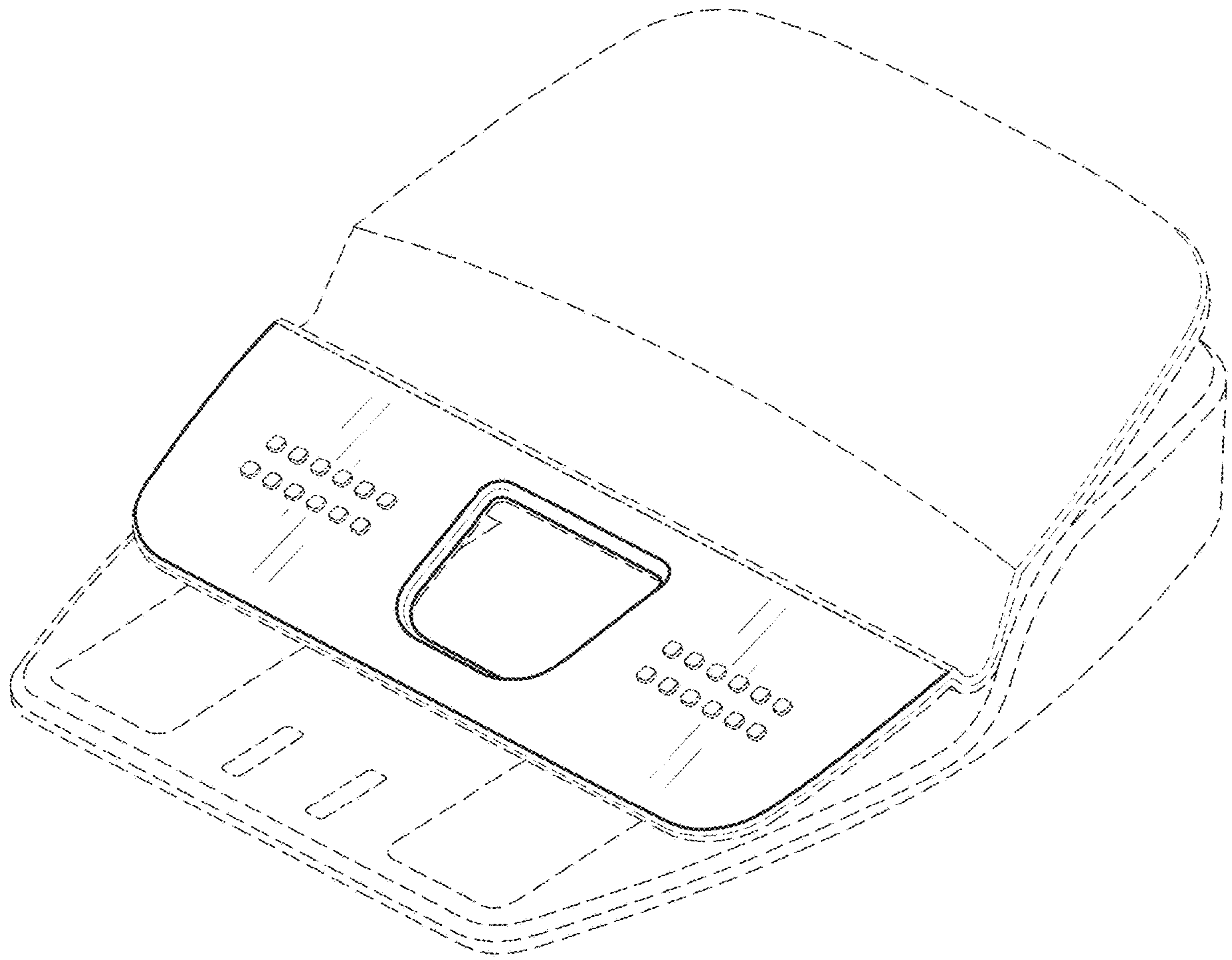


FIG. 1

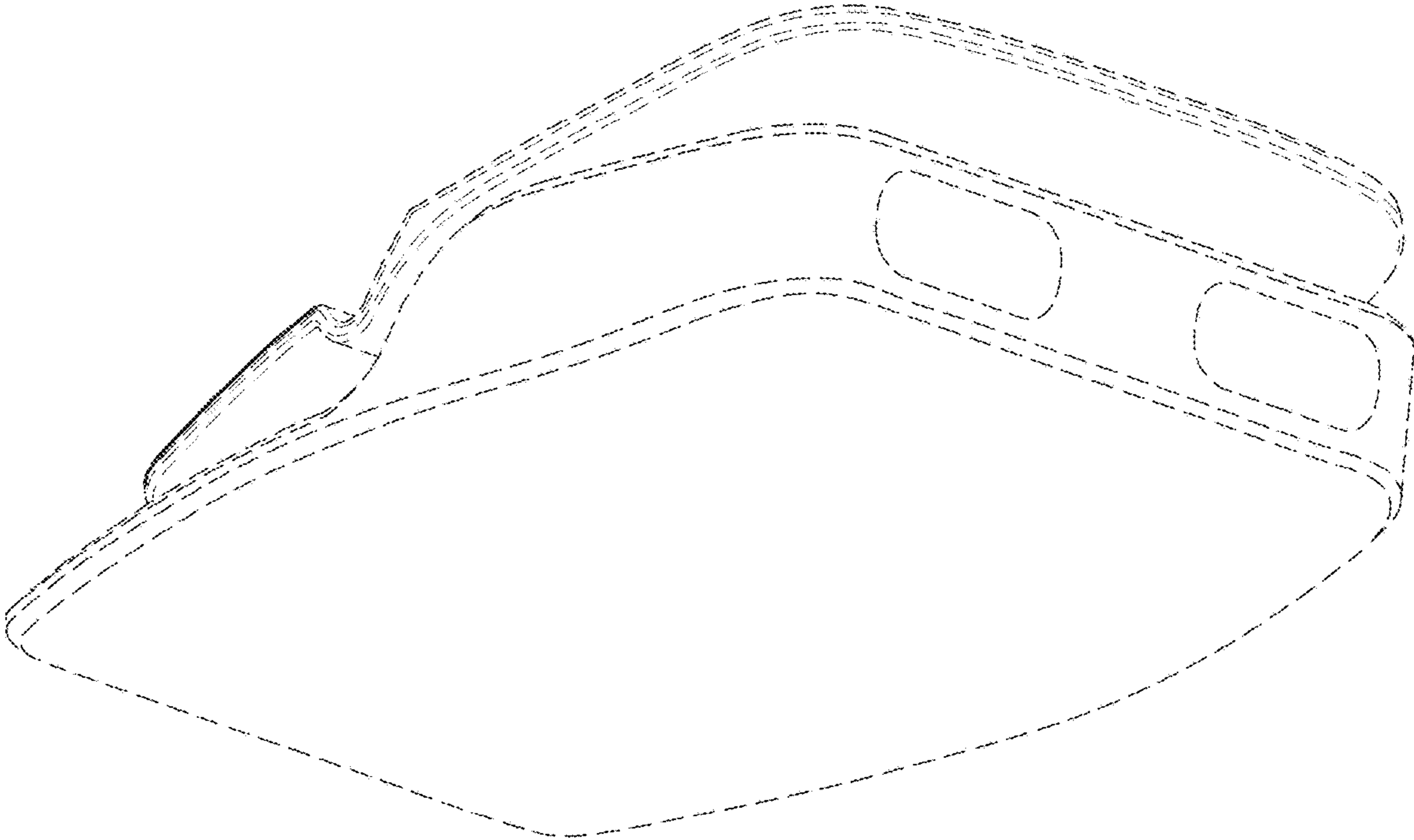


FIG. 2

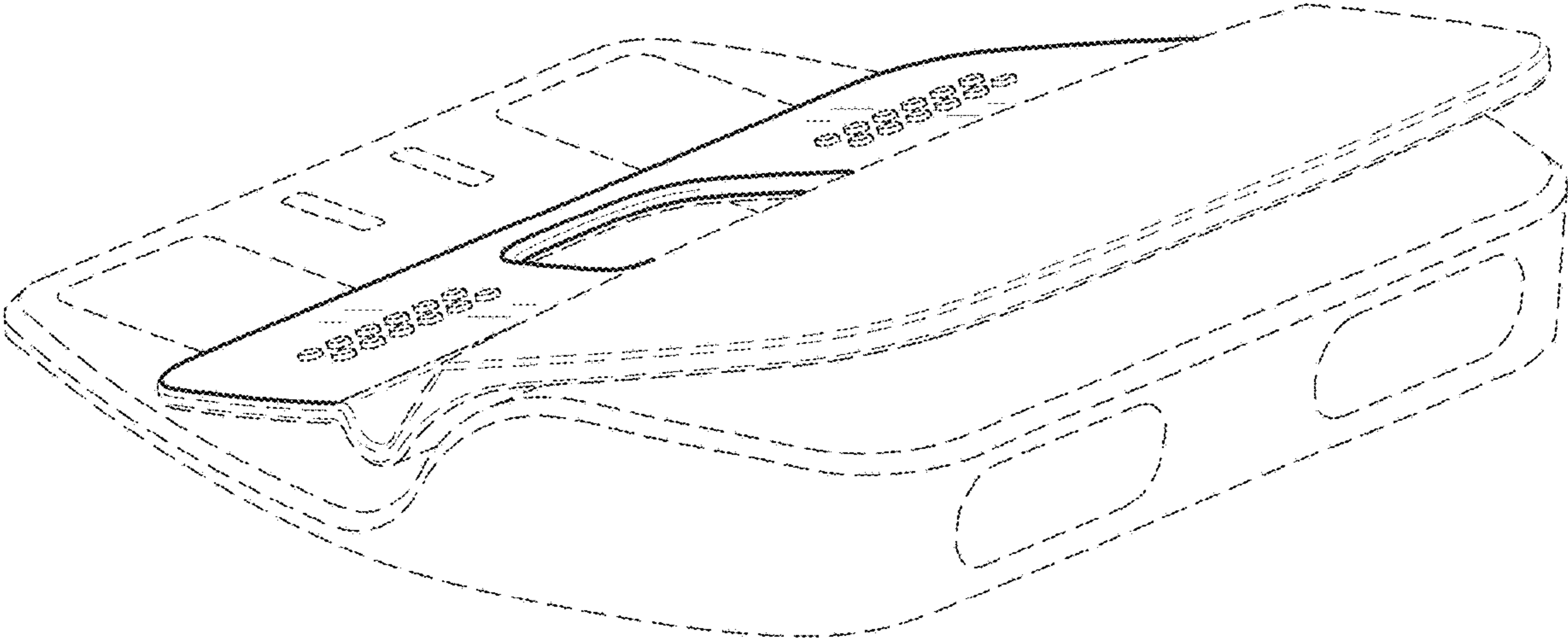


FIG. 3

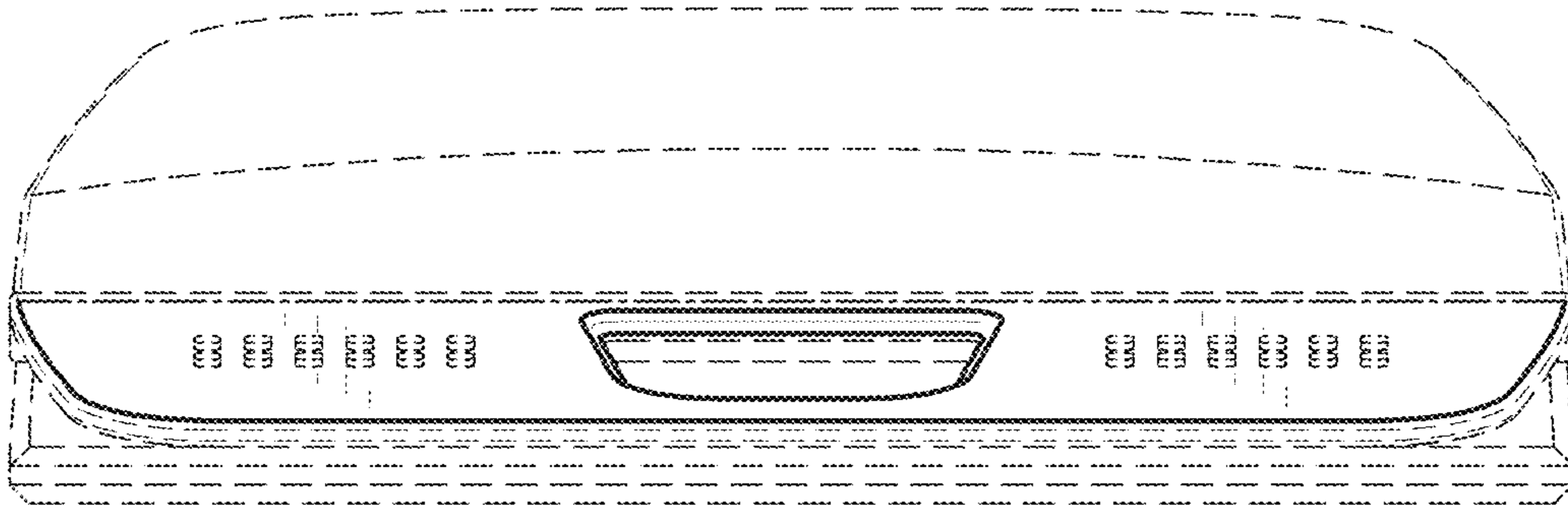


FIG. 4

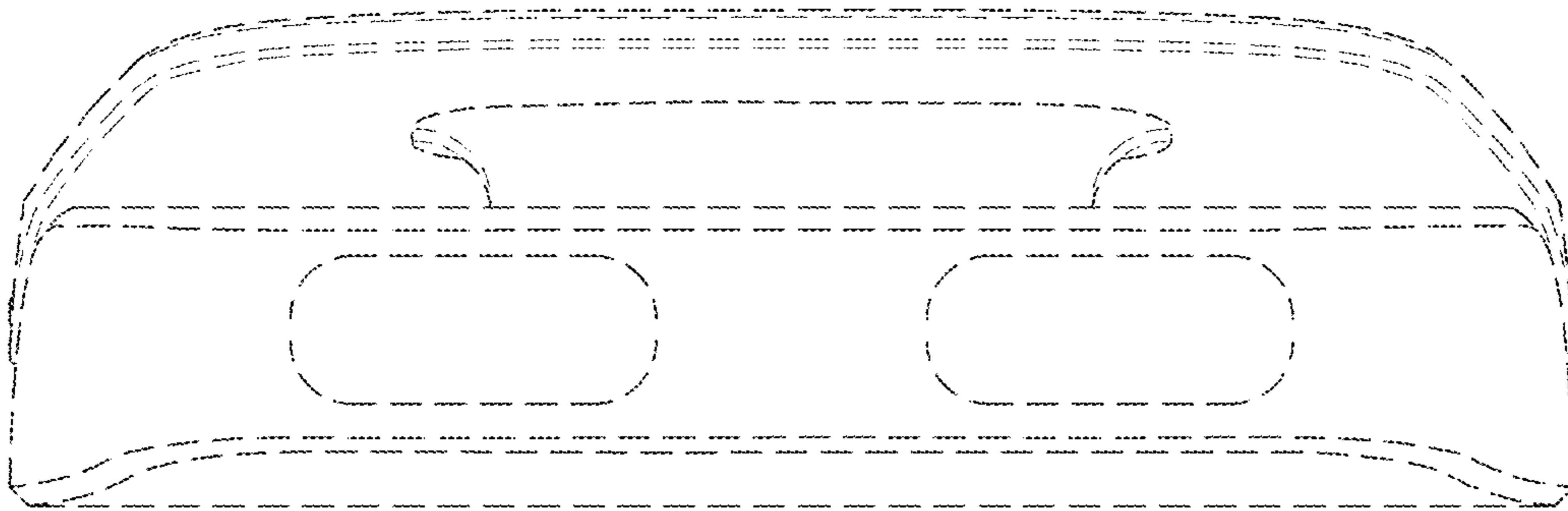


FIG. 5

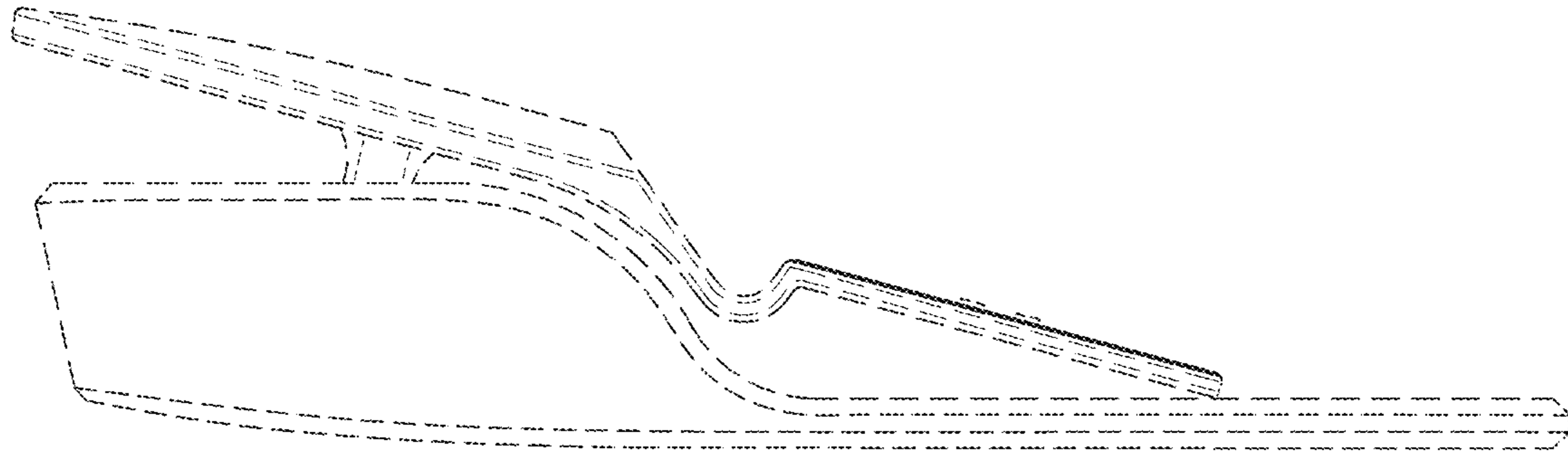


FIG. 6

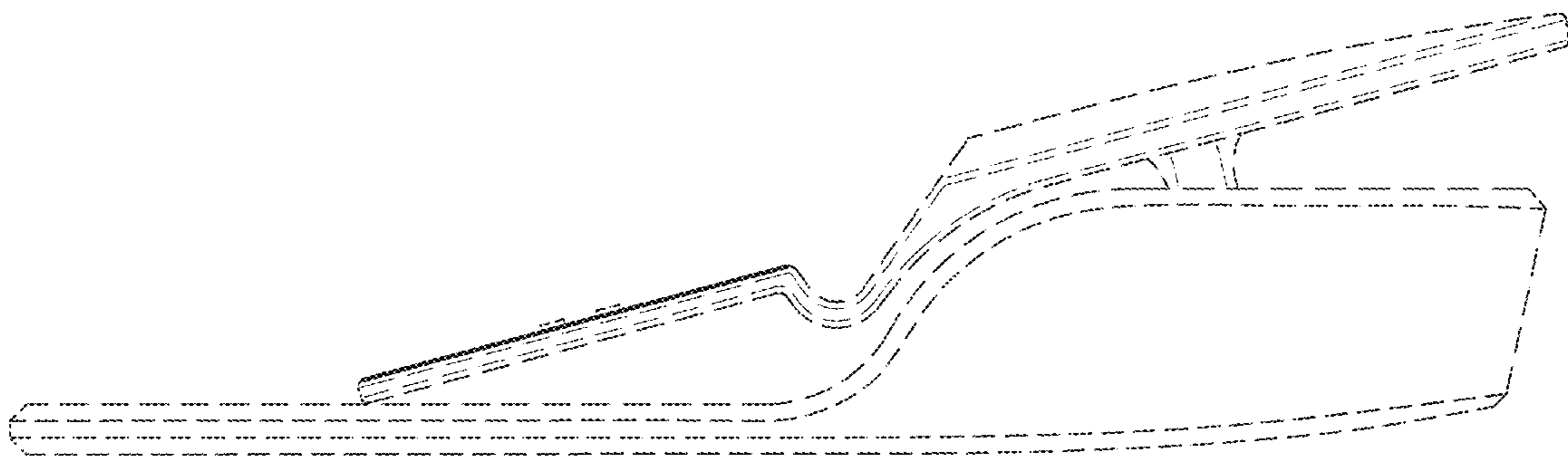


FIG. 7

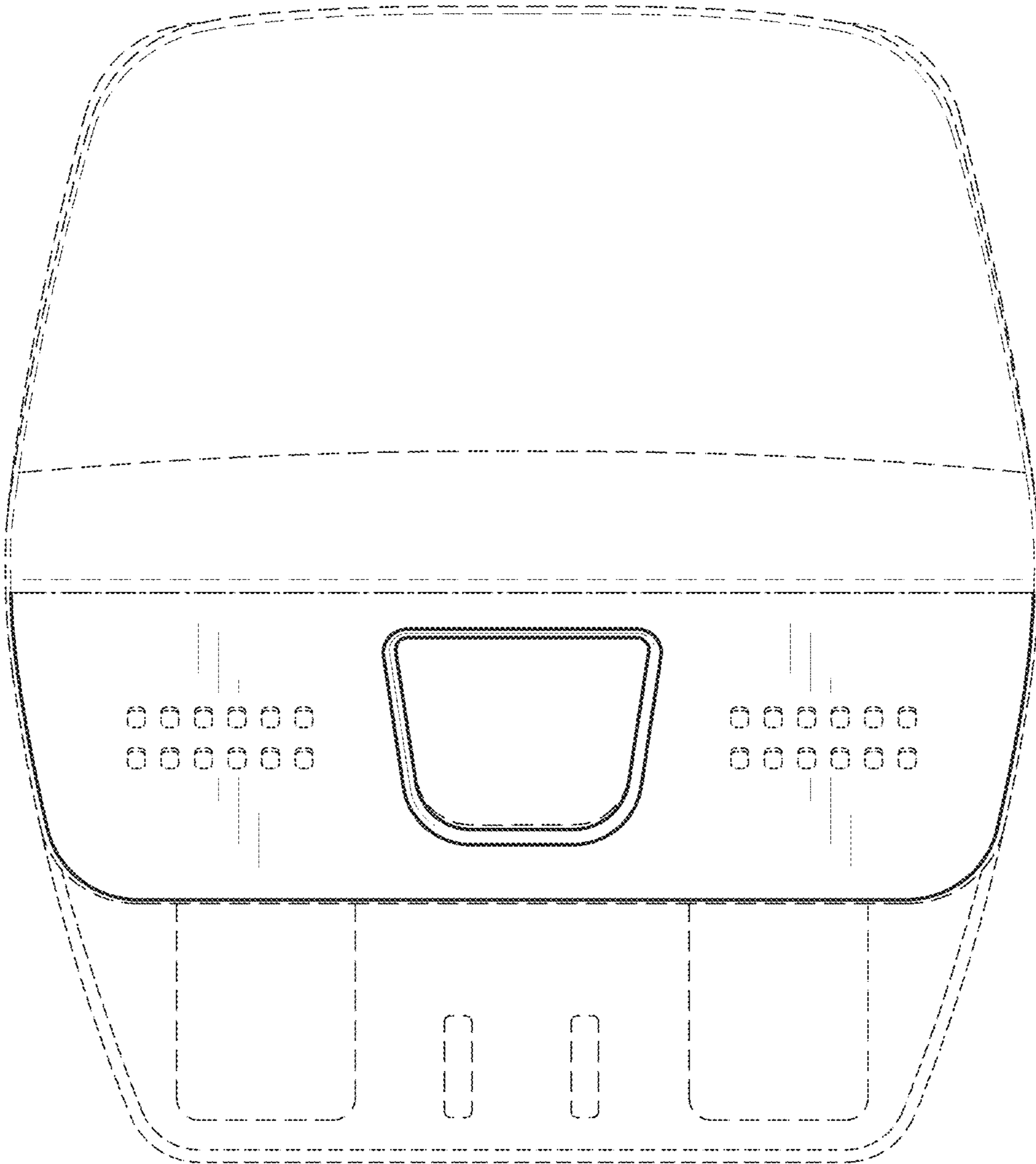


FIG. 8



FIG. 9

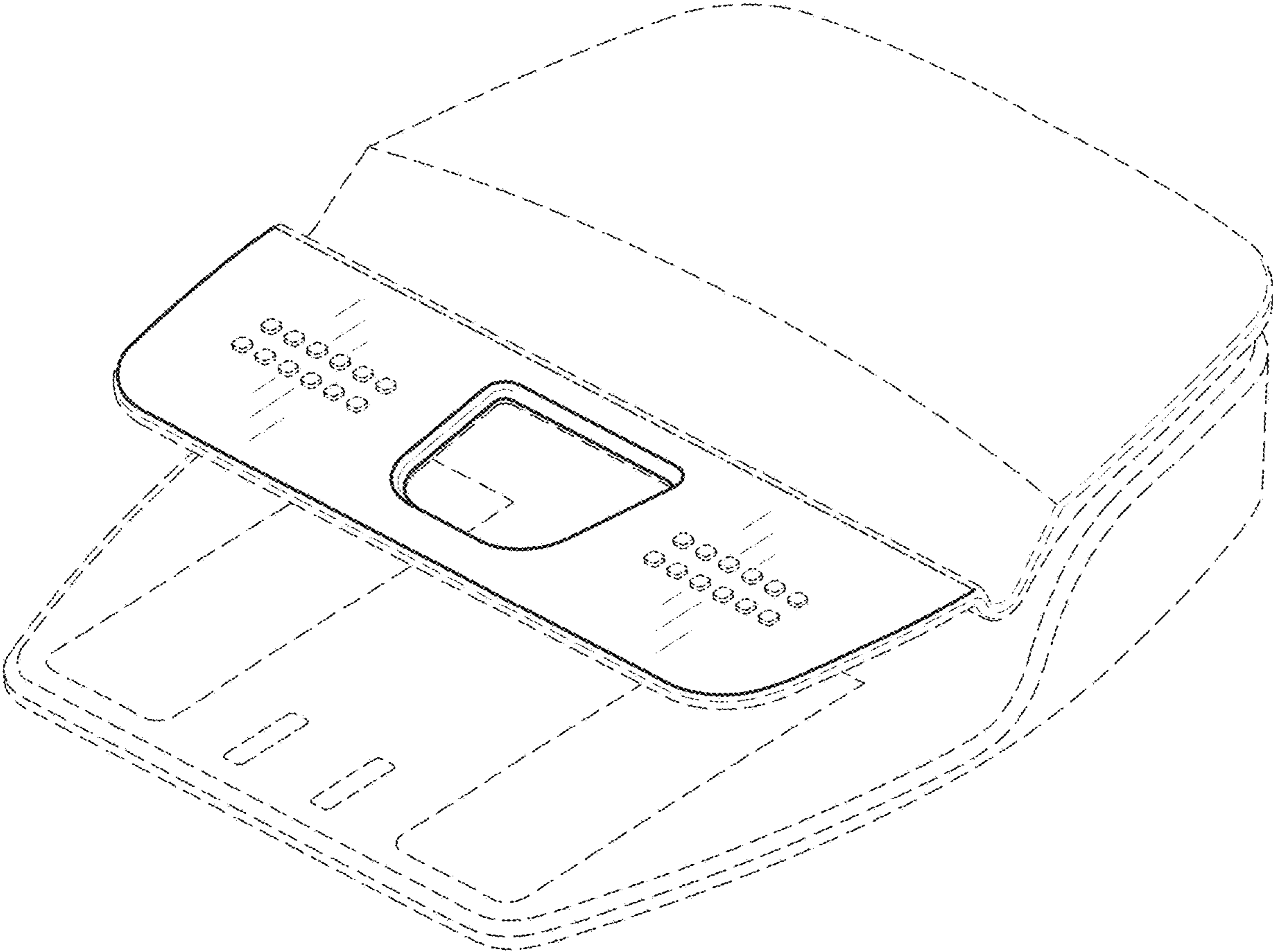


FIG. 10

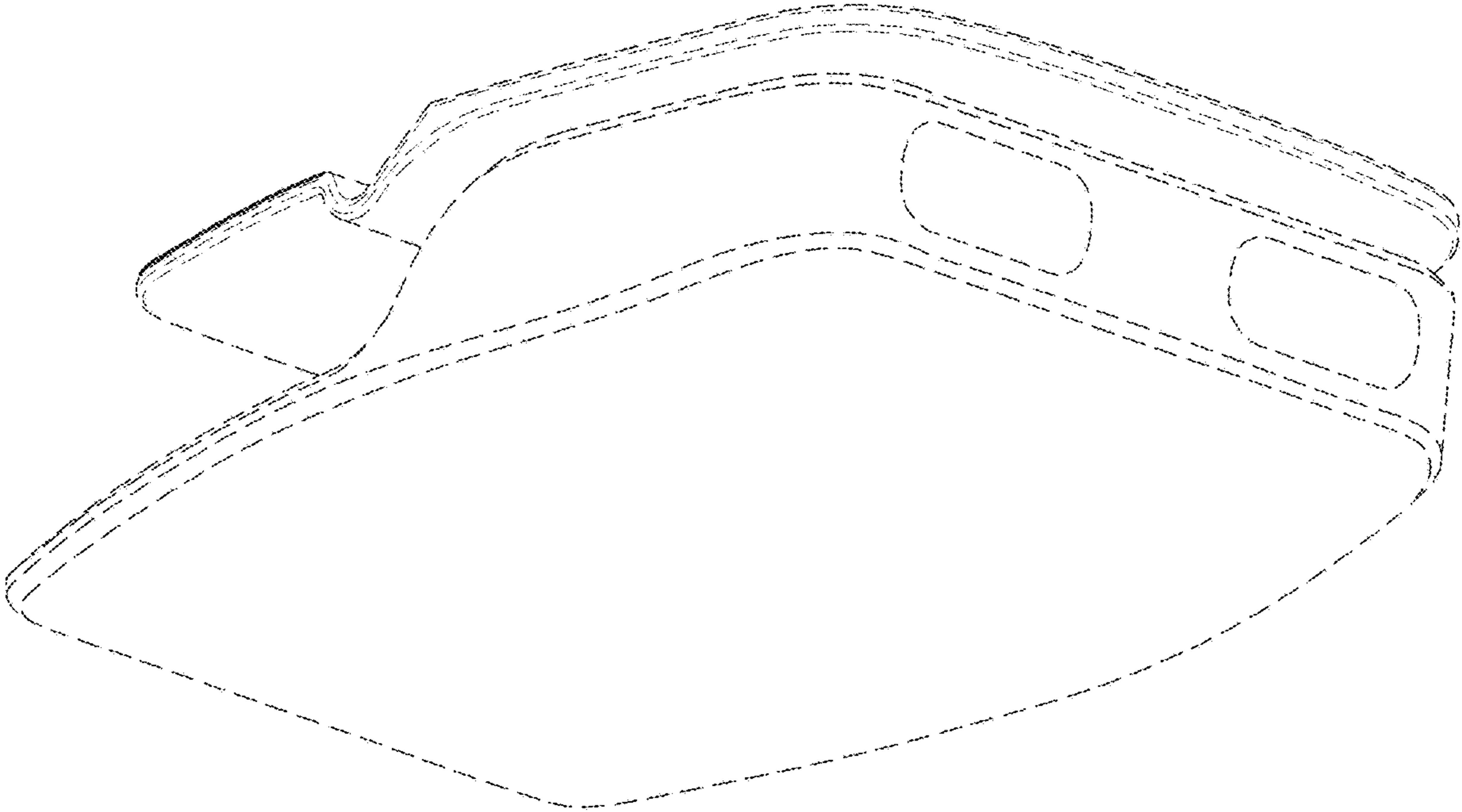


FIG. 11

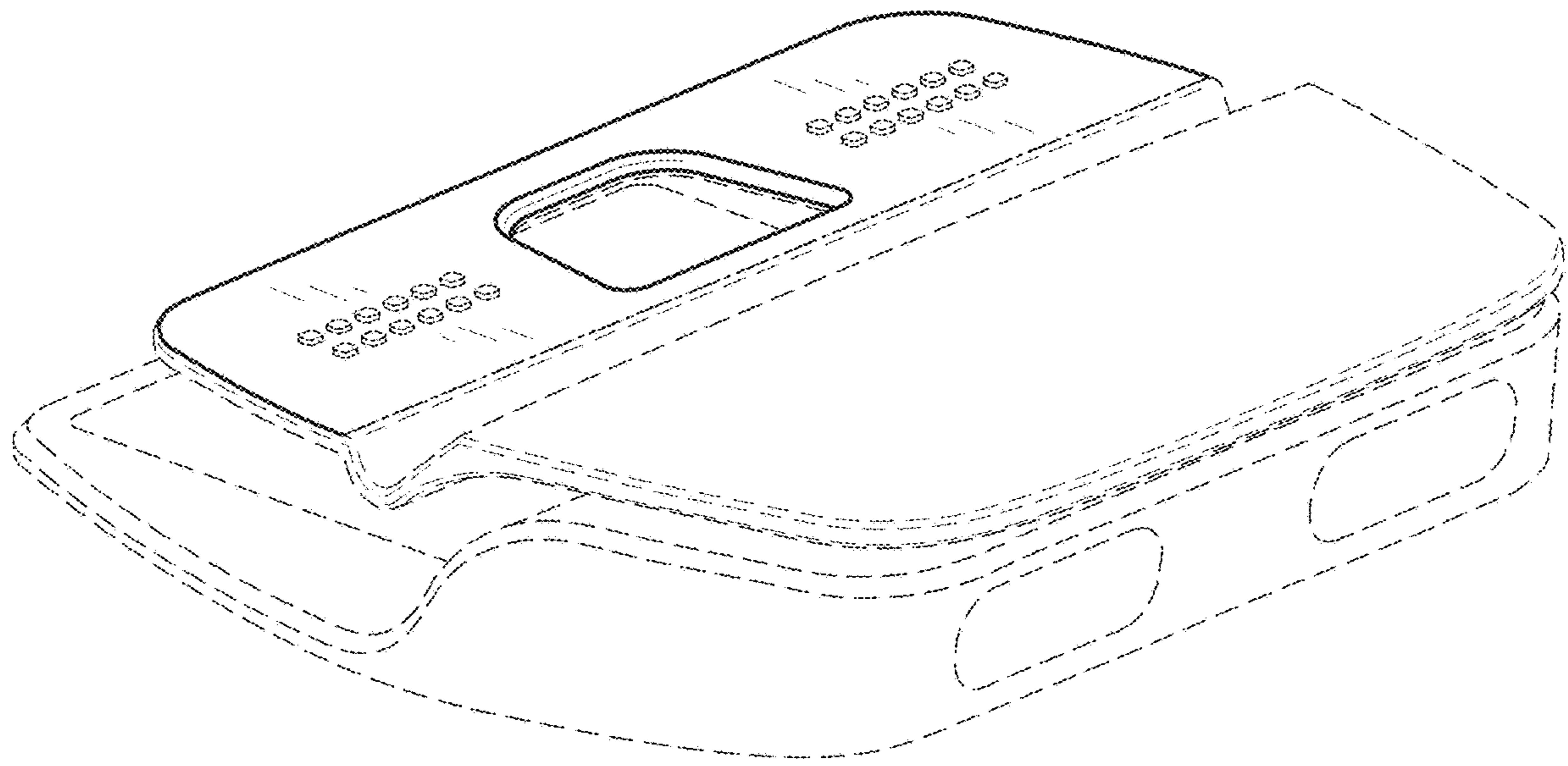


FIG. 12

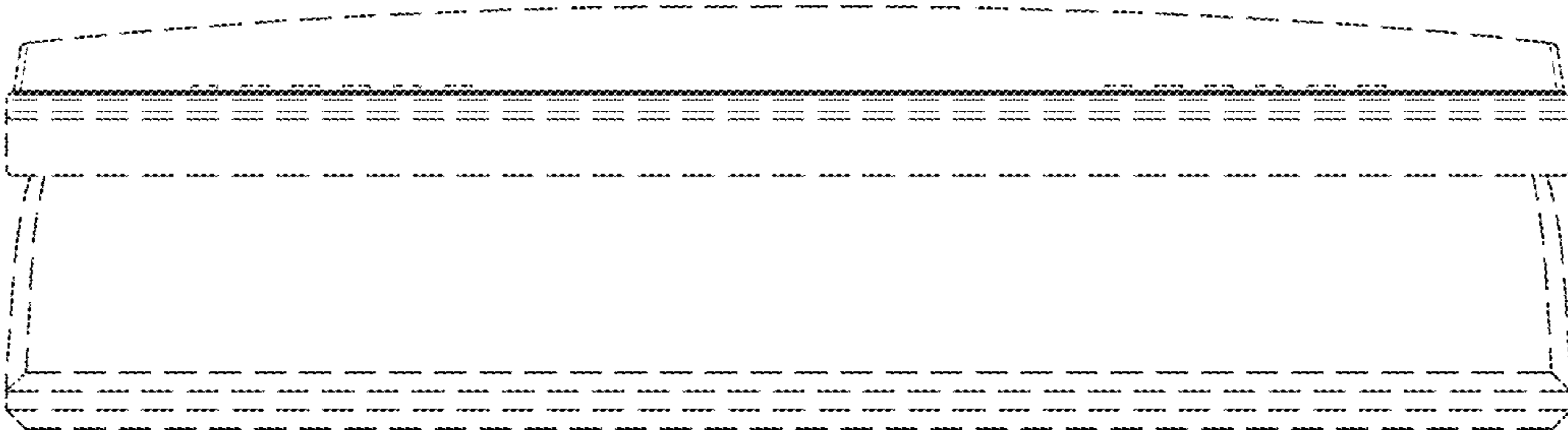


FIG. 13

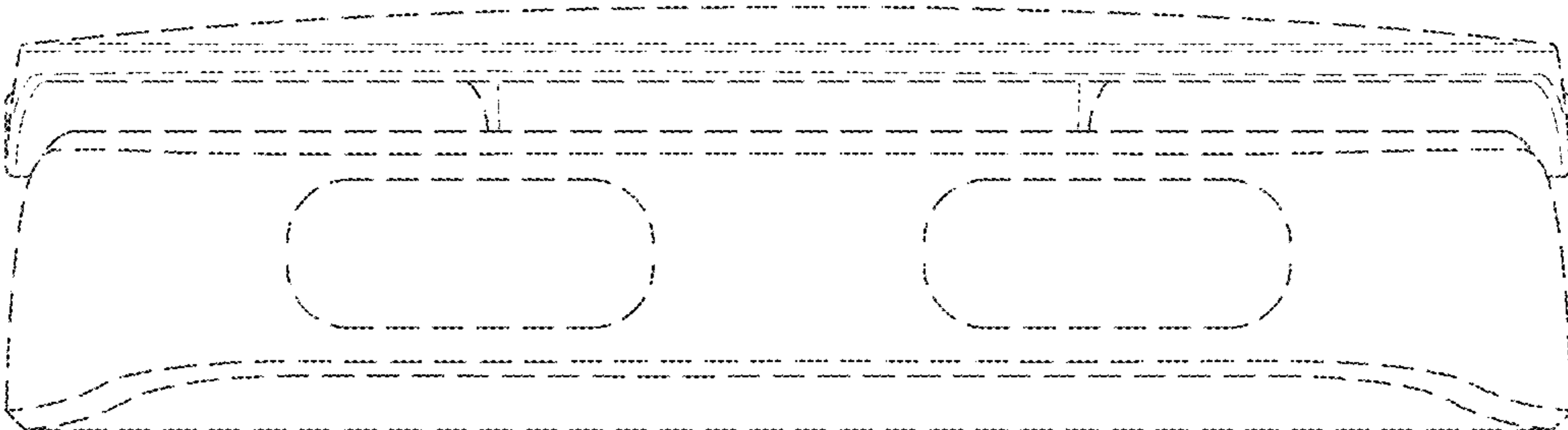


FIG. 14

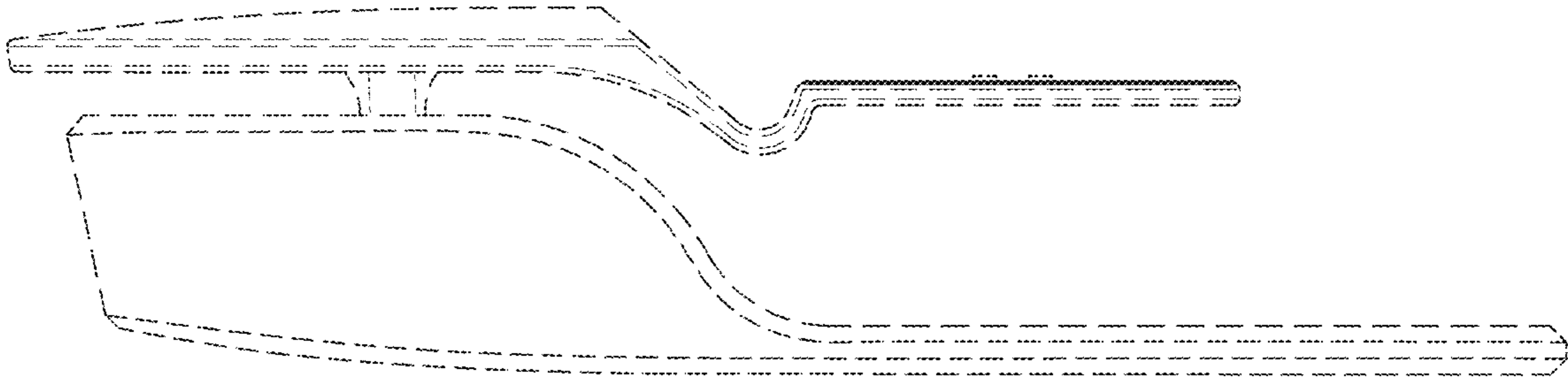


FIG. 15

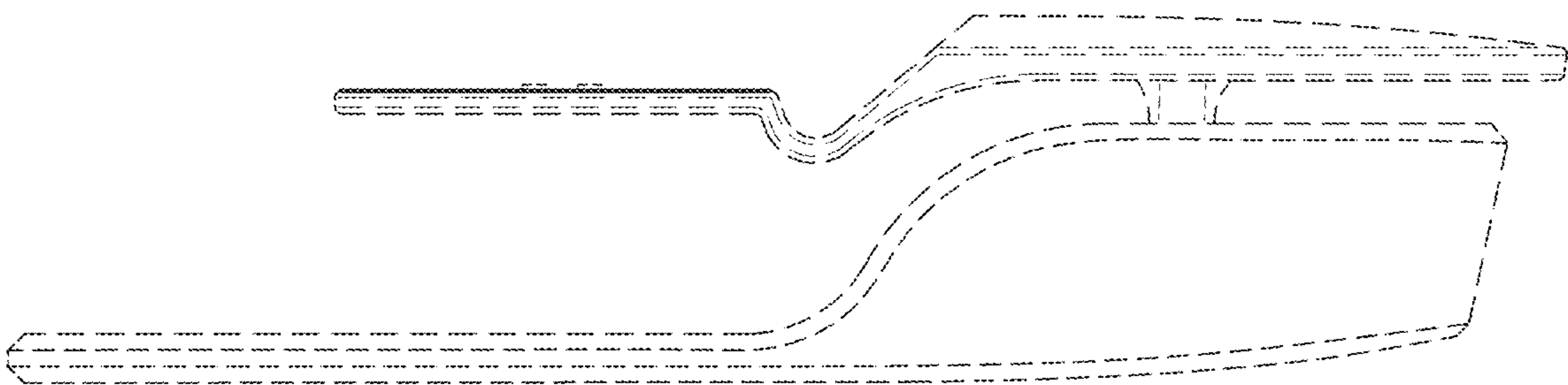


FIG. 16



FIG. 17



FIG. 18

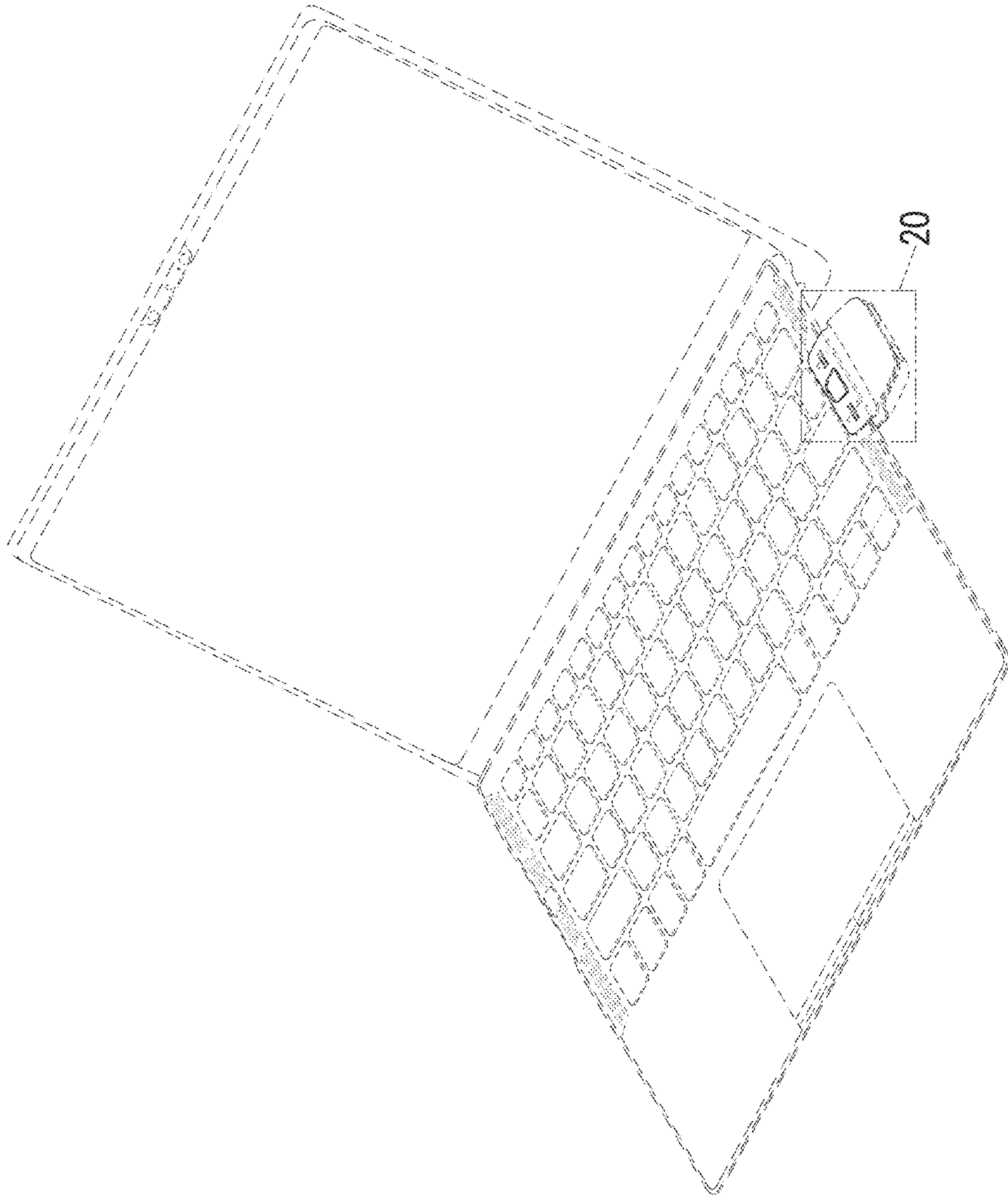


FIG. 19

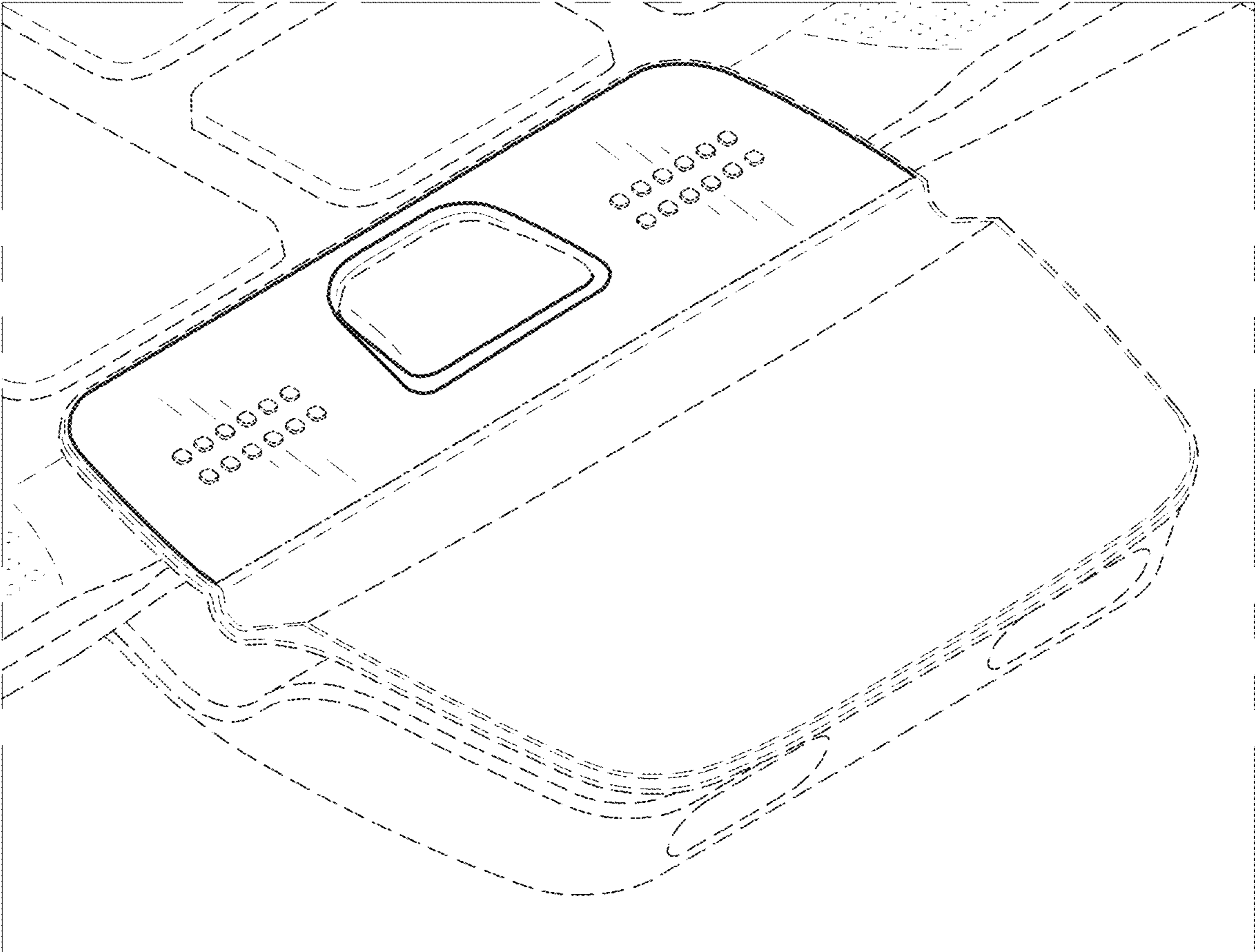


FIG. 20

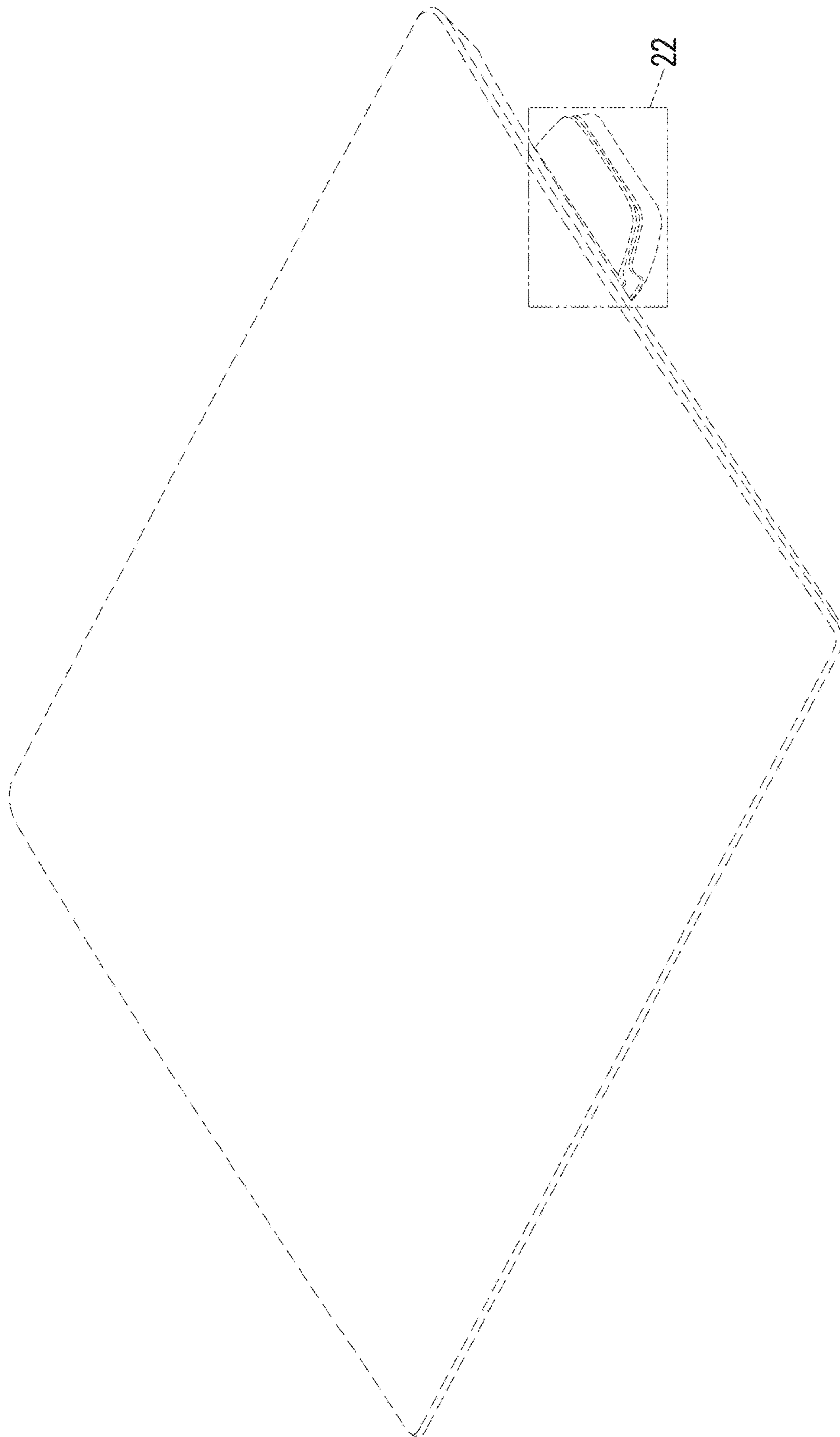


FIG. 21

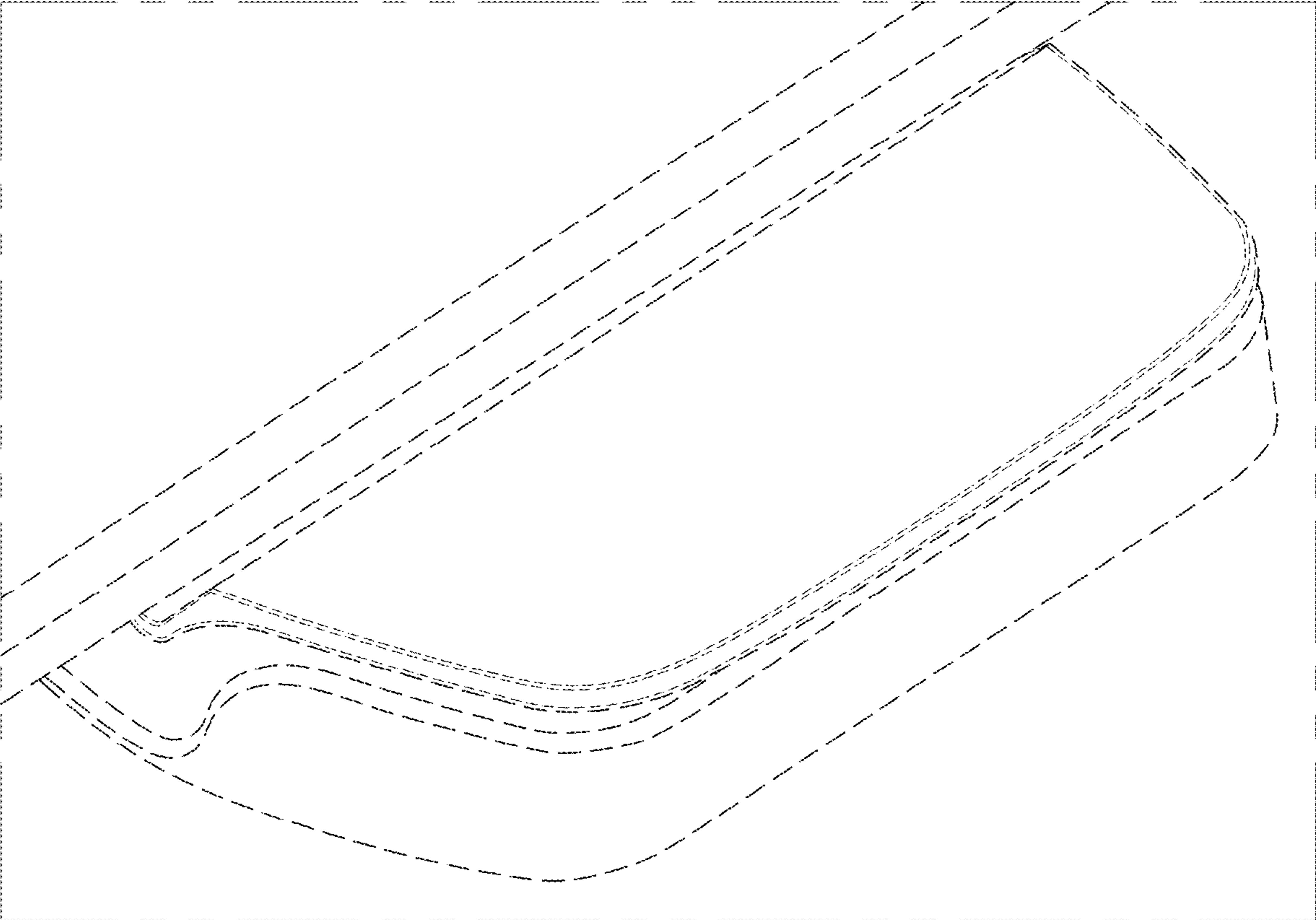


FIG. 22