



US00D917487S

(12) **United States Design Patent** (10) **Patent No.:** **US D917,487 S**
Bidwell et al. (45) **Date of Patent:** **** Apr. 27, 2021**

(54) **OPTICAL SCANNER**

(71) Applicant: **Hand Held Products, Inc.**, Fort Mill, SC (US)

(72) Inventors: **Dean J. Bidwell**, Renton, WA (US); **David K. Memke**, Bainbridge Island, WA (US); **Michael James Wells**, Lake Forest Park, WA (US); **Tim Zurmoehle**, Seattle, WA (US); **William Herweh, III**, Seattle, WA (US); **Churu Yun**, Seattle, WA (US); **Mark Oberpriller**, Peachtree Corners, GA (US); **Matthew McElvogue**, Seattle, WA (US); **Rajat Shail**, Chicago, IL (US); **John S. Bandringa**, Everett, WA (US); **Roger Jackson**, Lake Forest Park, WA (US)

(73) Assignee: **HAND HELD PRODUCTS, INC.**, Fort Mill, SC (US)

(**) Term: **15 Years**

(21) Appl. No.: **29/759,409**

(22) Filed: **Nov. 23, 2020**

Related U.S. Application Data

(63) Continuation of application No. 29/663,671, filed on Sep. 18, 2018, now abandoned, and a continuation of (Continued)

(51) **LOC (13) Cl.** **14-02**

(52) **U.S. Cl.**
USPC **D14/429; D14/428**

(58) **Field of Classification Search**
USPC D14/420, 426-430, 453, 346, 341, 347, D14/412, 138 R, 138 AA, 138 C;
(Continued)

(56) **References Cited**

U.S. PATENT DOCUMENTS

5,996,896 A * 12/1999 Grabon G06K 7/10881
235/462.46

D449,995 S 11/2001 Christianson
(Continued)

OTHER PUBLICATIONS

U.S. Appl. No. 29/663,671, filed Sep. 18, 2018.
(Continued)

Primary Examiner — Susan Moon Lee

(74) *Attorney, Agent, or Firm* — Alston & Bird LLP

(57) **CLAIM**

The ornamental design for an optical scanner, as shown in the accompanying drawings and described above.

DESCRIPTION

FIG. 1 is a top front perspective view of the optical scanner in accordance with the present invention;

FIG. 2 is a top rear perspective view of the optical scanner of FIG. 1;

FIG. 3 is a front view of the optical scanner of FIG. 1;

FIG. 4 is a rear view of the optical scanner of FIG. 1;

FIG. 5 is a right side view of the optical scanner of FIG. 1;

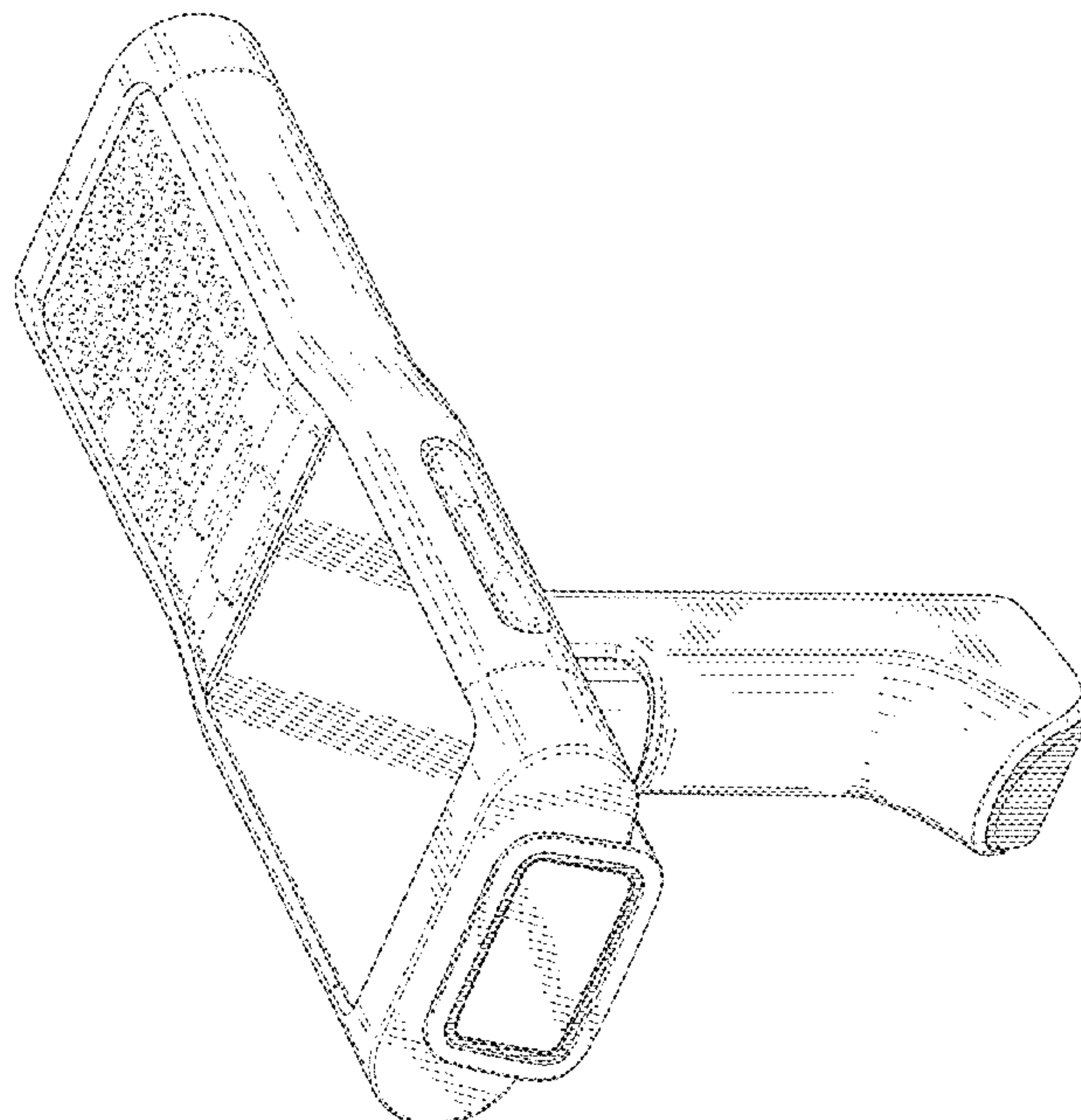
FIG. 6 is a left side view of the optical scanner of FIG. 1;

FIG. 7 is a top view of the optical scanner of FIG. 1; and,

FIG. 8 is a bottom view of the optical scanner of FIG. 1.

The broken lines depict unclaimed features of the optical scanner, shown for purposes of illustration, and forming no part of the claimed design.

1 Claim, 8 Drawing Sheets



Related U.S. Application Data

application No. 29/572,907, filed on Aug. 1, 2016,
now Pat. No. Des. 829,212.

(58) **Field of Classification Search**

USPC D13/107, 184; 358/473; 235/462.43,
235/462.45, 462.47, 462.48, 462.44,
235/462.46, 487, 472.01, 472.02, 145 A,
235/145 R, 385, 440, 383, 454, 462.01;
D10/78, 46, 70, 75, 80; 324/426;
D3/273; 710/73; D18/7; 361/679, 728,
361/679.56, 679.55, 679.59; 382/313,
382/321; 455/575.1, 561, 572, 557, 349,
455/556.1, 556.2, 90.3; 345/156, 168,
345/169, 172, 173, 87; 705/17, 18,
705/22-25; 343/872, 846, 700 MS
CPC G06F 1/626; G06F 1/1626; G06F 1/1656;
G06F 1/1632; G06F 1/1684; G06F
1/1635; G06F 8/63; G06F 17/30091;
G06F 9/4401; G06K 7/10881; G06K
7/1098; G06K 7/10722; G06K 7/1404;
G06K 7/0004; G06K 7/10633; G06K
7/10851; G06K 7/1091; G06K 7/1092;
G06K 7/1093; G06K 7/10; G06K 7/109;
G06K 7/1417; G06K 7/10386; G06K
7/10079; G06K 7/10891; G06K 7/1097;
G06K 7/10366; G06K 7/10425; G06K
7/10376; G06K 7/10396; G06K 7/015;
G06K 7/10316; G06K 9/228; G06K
17/0022; G06K 17/00; G06K 2207/1011;
G06K 2207/1013; G06K 2207/1016;
G06K 2207/1018; G06K 2017/0051;
G06K 2017/0067; G06K 2007/10524;
G06K 2007/10534; G06K 2007/10544;
G06K 19/0723; G06K 7/1095; G06K
7/089; G06K 7/10821; G07G 1/0081;
G07G 1/009; G06Q 20/20; G06Q 20/201;
G06Q 20/202; G06Q 20/203; G06Q
20/30; G06Q 20/32; G06Q 20/322; G06Q
20/4014; G06Q 10/087; H04N 1/00127;
H04N 1/00135; H04N 1/00326; H04N
1/00334; H04N 1/00307; H04N 1/107;
H04N 2201/0084; H04N 2101/00; H04M
1/0249; H04M 1/0262; H04M 1/0266;
H04M 1/18; H04M 1/23; H04M 1/236;
H04B 1/3827; H04B 1/3833; H04B
1/3877; H04B 1/3883; H04B 1/3888;
H04B 2001/3894; H01M 2/1066; H01Q
1/42; H01Q 1/2216; H01Q 1/20; H01Q
1/22; H01Q 1/2208; H01Q 1/2258; H01Q
1/241; H01Q 1/242; H01Q 1/244; H01Q
1/27; H01Q 1/273; H01Q 9/16; H01Q
9/285; H01Q 19/28; Y10T 29/49016

See application file for complete search history.

(56) **References Cited**

U.S. PATENT DOCUMENTS

D460,075 S * 7/2002 Destefano D14/426
D494,593 S * 8/2004 Wulff D14/347
D495,335 S 8/2004 Masamitsu et al.
6,988,664 B1 1/2006 Lee et al.
D520,997 S 5/2006 Lee et al.
D535,993 S 1/2007 Ueda
D539,294 S * 3/2007 Croley D14/453
D558,775 S 1/2008 Morris et al.
D566,712 S 4/2008 Ah

7,633,282 B2 12/2009 Radle et al.
7,837,112 B2 11/2010 An
D634,227 S 3/2011 Marzynski et al.
7,903,033 B2 * 3/2011 Bellows H01Q 1/242
343/702
D638,422 S 5/2011 Reed et al.
7,992,787 B2 * 8/2011 Mangaroo H05K 5/0247
235/472.01
8,025,236 B2 * 9/2011 Mangaroo G06K 7/10881
235/472.01
D661,209 S 6/2012 Janky et al.
8,199,489 B2 * 6/2012 Mangaroo G06F 1/1626
361/679.55
D664,457 S 7/2012 Buchanan
D676,850 S * 2/2013 Minafo D14/429
D677,663 S * 3/2013 Minafo D14/429
D692,431 S 10/2013 Arceta
8,567,682 B2 * 10/2013 Boyd G06K 7/10
235/472.01
8,587,595 B2 * 11/2013 Wang G06K 7/1417
345/505
D697,067 S * 1/2014 Minafo D14/429
D698,674 S 2/2014 Mattsson
D704,711 S * 5/2014 Minafo D14/426
D705,684 S 5/2014 Takahashi et al.
D709,503 S 7/2014 Chen et al.
8,763,909 B2 7/2014 Reed et al.
D716,307 S * 10/2014 Paufler D14/426
D719,040 S 12/2014 Crowe et al.
D719,955 S * 12/2014 Hsu D14/428
D724,976 S 3/2015 Crowe et al.
D725,098 S 3/2015 Neumann
D726,185 S 4/2015 Park et al.
D732,534 S * 6/2015 Paufler D14/429
D738,242 S 9/2015 Crowe et al.
D740,144 S 10/2015 Lamer
D753,119 S * 4/2016 Paufler D14/426
D766,424 S 9/2016 Anderson et al.
D771,244 S 11/2016 Takemoto et al.
D771,631 S 11/2016 Fitch et al.
D773,946 S 12/2016 Hoofnagle et al.
D774,507 S * 12/2016 Borgini D14/347
9,664,708 B2 5/2017 Dorman et al.
D792,407 S * 7/2017 Fitch D14/426
D793,257 S 8/2017 Gao et al.
D805,932 S 12/2017 Koeniger et al.
D808,391 S 1/2018 Schooneveldt et al.
D815,066 S 4/2018 Bidwell et al.
D820,812 S 6/2018 Bidwell et al.
D829,212 S 9/2018 Bidwell et al.
D832,845 S 11/2018 Memke et al.
D835,107 S * 12/2018 Memke D14/426
D837,215 S 1/2019 Memke et al.
D838,273 S 1/2019 Memke et al.
D859,411 S 9/2019 Bidwell et al.
D865,049 S 10/2019 Bidwell et al.
D868,066 S * 11/2019 Yang D14/426
D870,734 S * 12/2019 Memke D14/426
D895,622 S * 9/2020 Sieckowski D14/428
D896,224 S * 9/2020 Sieckowski D14/428
2003/0006998 A1 * 1/2003 Kumar G06F 3/0202
715/700
2005/0001037 A1 * 1/2005 Wulff G06F 1/1656
235/462.43
2005/0150959 A1 * 7/2005 Izzo G06K 7/10881
235/472.02
2005/0194446 A1 9/2005 Wiklof et al.
2006/0054704 A1 * 3/2006 Fitch G06F 1/1684
235/472.01
2006/0266841 A1 * 11/2006 Hansen G06F 1/1684
235/472.02
2007/0158429 A1 * 7/2007 Bhatia G06K 7/1098
235/462.45
2008/0002024 A1 1/2008 Schweers
2008/0042657 A1 2/2008 Radle et al.
2008/0123262 A1 * 5/2008 Coleman G06F 1/1635
361/679.08

(56)

References Cited

U.S. PATENT DOCUMENTS

2008/0128499 A1* 6/2008 Chen G06K 7/10851
235/444
2008/0203167 A1* 8/2008 Soule G06F 16/13
235/462.01
2008/0297479 A1* 12/2008 Yeh G06F 1/1626
345/169
2009/0168337 A1* 7/2009 Conti G06F 1/1656
361/679.56
2009/0224039 A1* 9/2009 Hause G06K 7/0004
235/385
2009/0270136 A1* 10/2009 Su H04M 1/0262
455/572
2009/0276115 A1 11/2009 Chen
2012/0120612 A1* 5/2012 Tran G02B 6/4463
361/730
2013/0256405 A1* 10/2013 Montout G06K 7/10881
235/375
2014/0185234 A1* 7/2014 Lee H04M 1/236
361/679.56

2014/0217180 A1* 8/2014 Liu E05B 73/0005
235/472.01
2014/0249942 A1* 9/2014 Hicks G06Q 20/20
705/17

OTHER PUBLICATIONS

U.S. Appl. No. 29/572,907, filed Aug. 1, 2016.
Notice of Allowance and Fees Due (PTOL-85) dated May 25, 2018
for U.S. Appl. No. 29/572,907.
Notice of Allowance and Fees Due (PTOL-85) dated Oct. 16, 2019
for U.S. Appl. No. 29/663,671.
Notice of Allowance and Fees Due (PTOL-85) dated Sep. 9, 2020
for U.S. Appl. No. 29/663,671.
Notice of Allowance and Fees Due (PTOL-85) dated Sep. 18, 2020
for U.S. Appl. No. 29/663,671.
Notice of Allowance for U.S. Appl. No. 29/572,907, dated May 25,
2018, 9 pages.

* cited by examiner

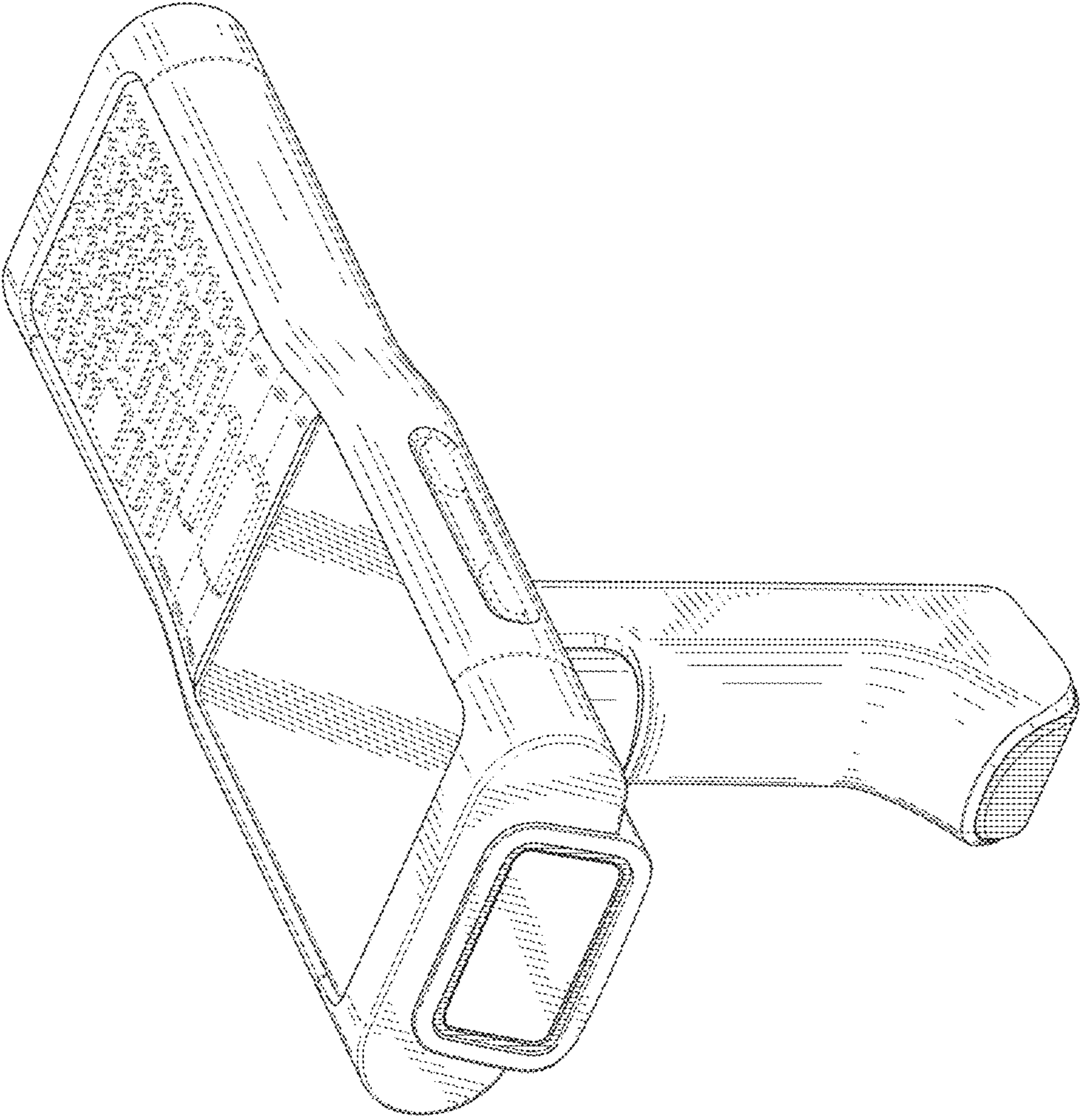


FIG. 1

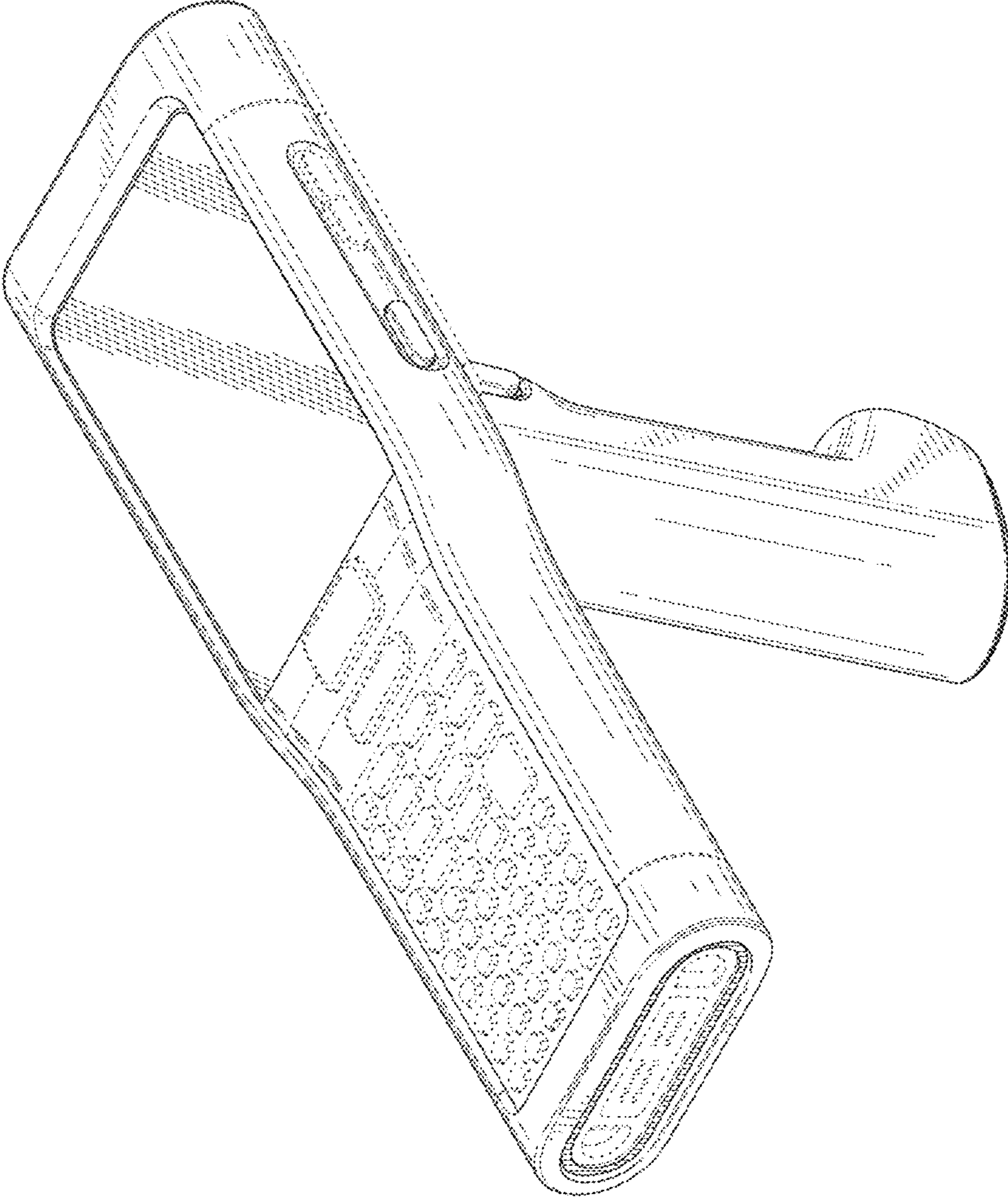


FIG. 2

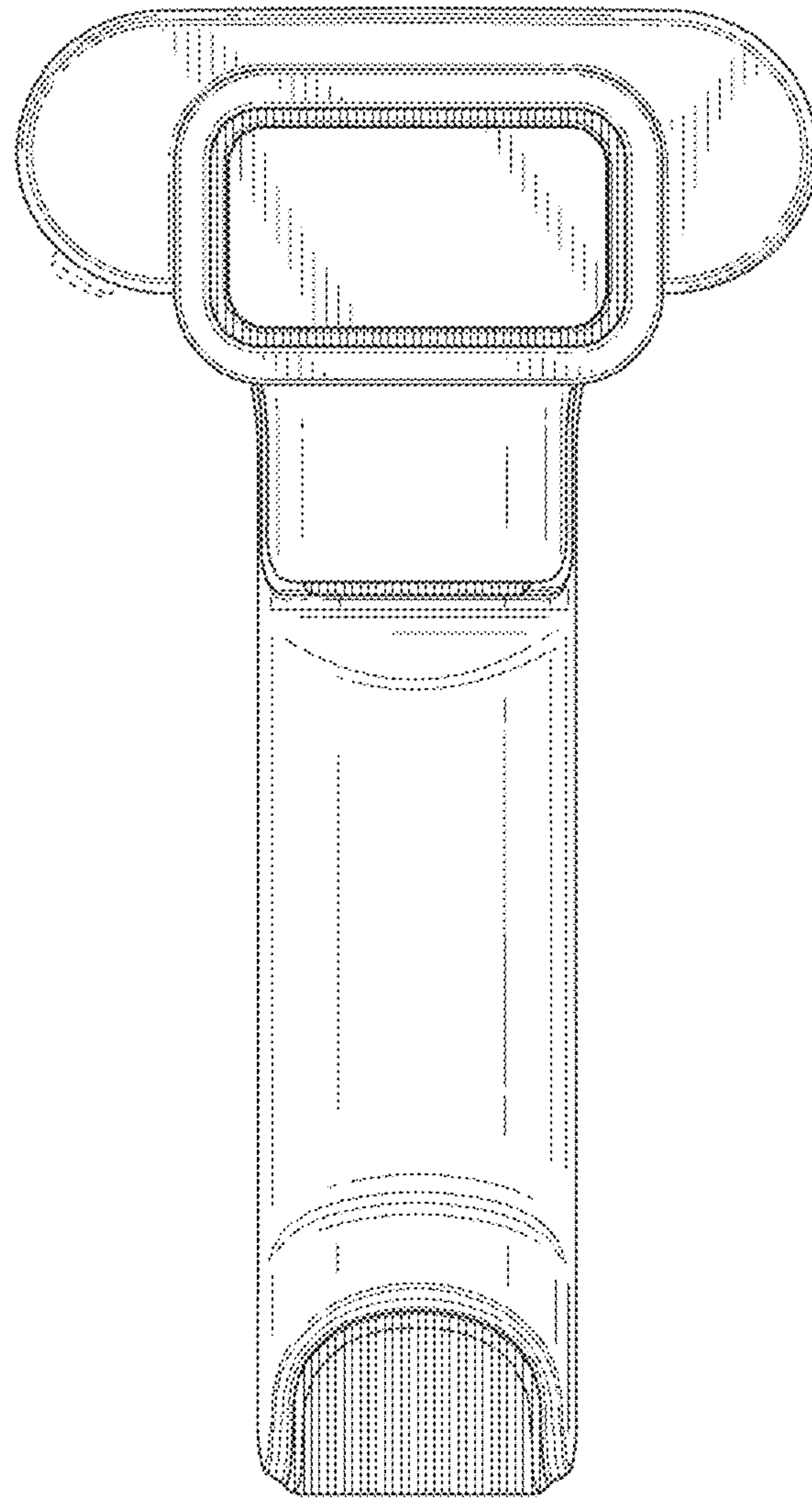


FIG. 3

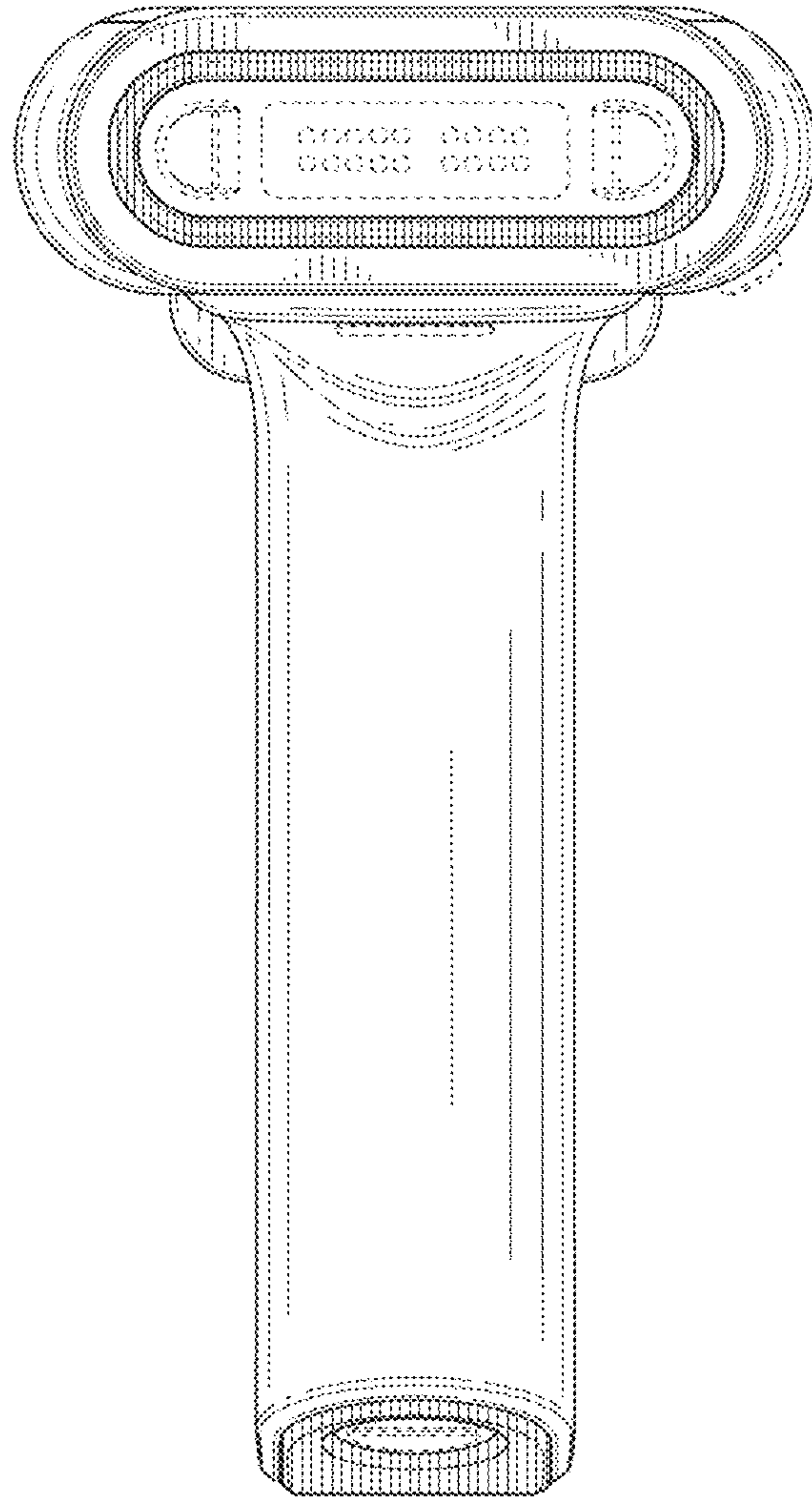


FIG. 4

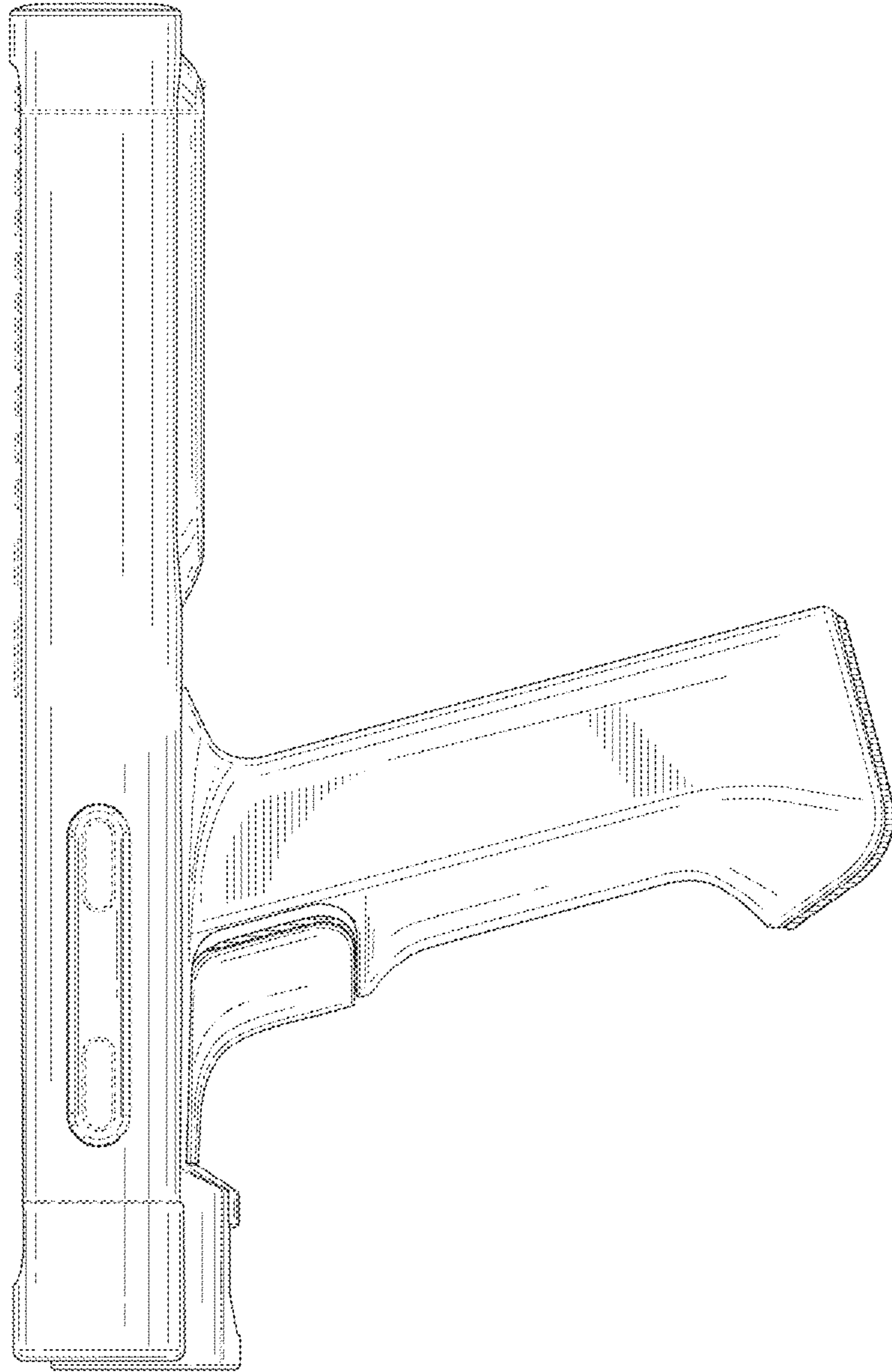


FIG. 5

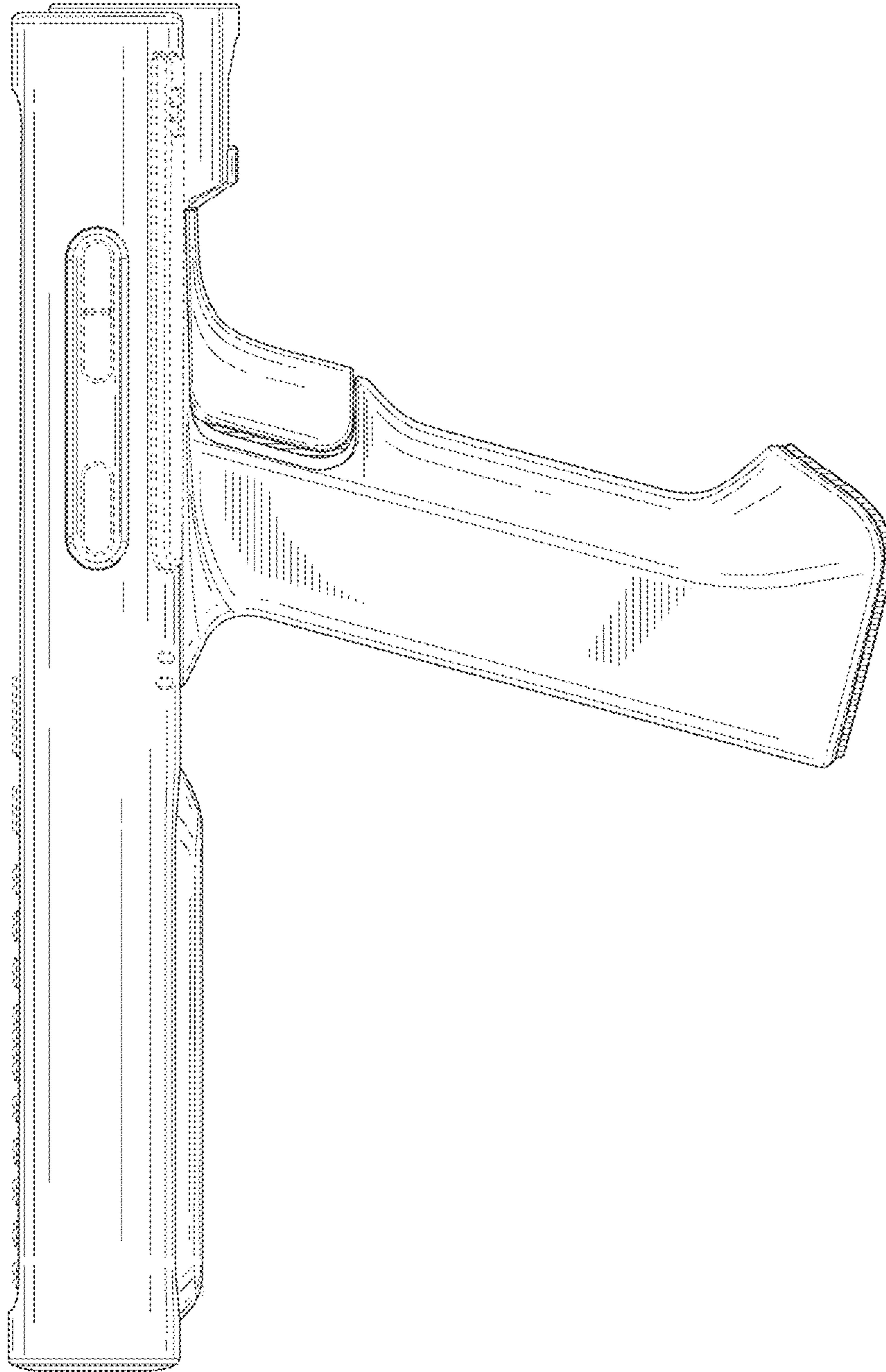


FIG. 6

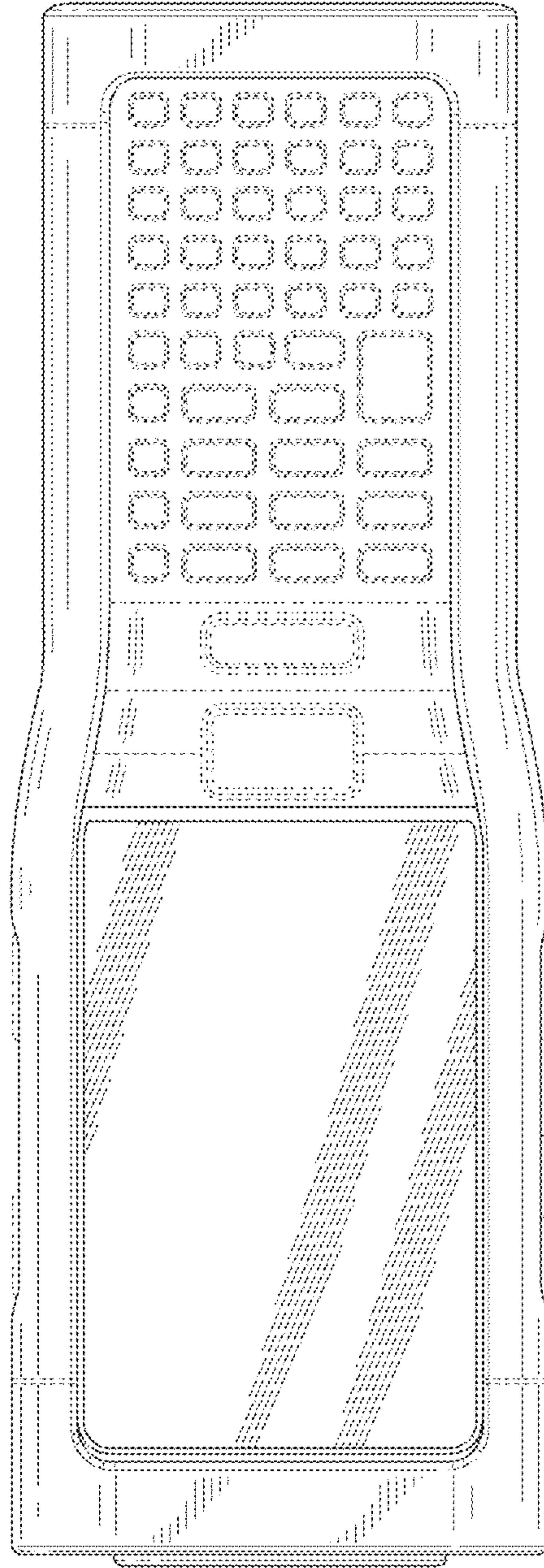


FIG. 7

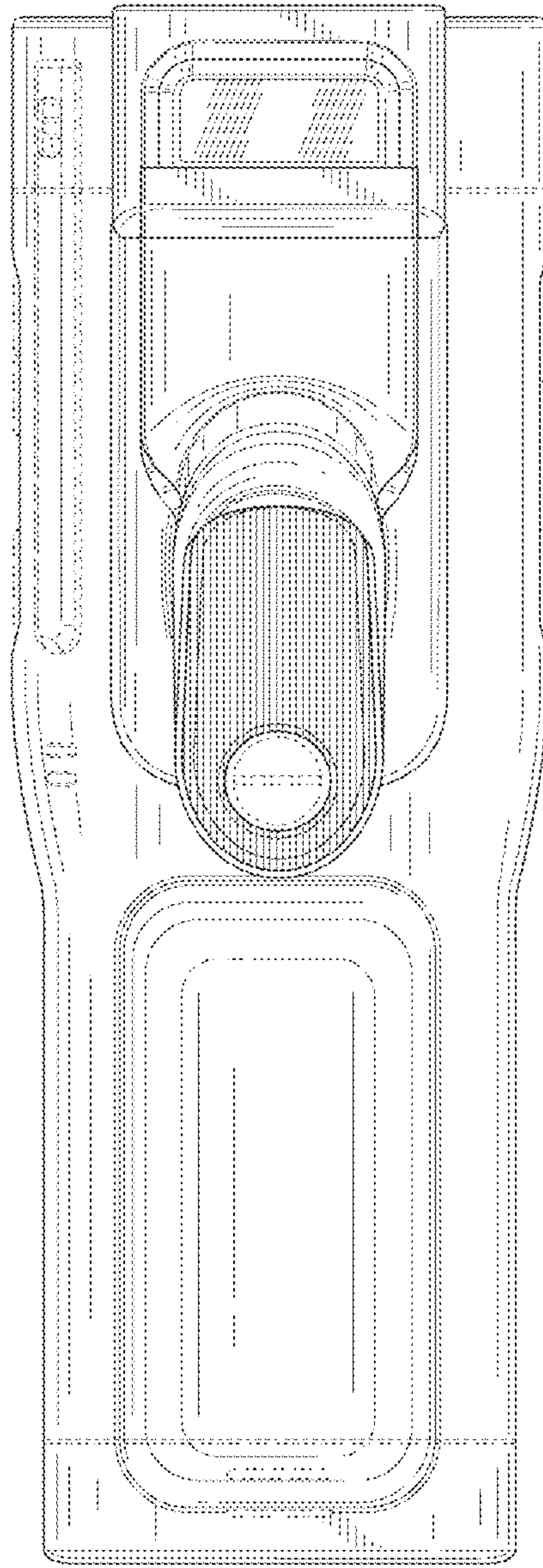


FIG. 8