



US00D917484S

(12) **United States Design Patent**  
**Huebner et al.**

(10) **Patent No.:** **US D917,484 S**

(45) **Date of Patent:** **\*\* Apr. 27, 2021**

(54) **COORDINATE INPUT INSTRUMENT**

(71) Applicant: **Wacom Co., Ltd.**, Kazo (JP)

(72) Inventors: **Volker Huebner**, Erkrath (DE); **Giles Thomas Mitchell**, Dusseldorf (DE)

(73) Assignee: **Wacom Co., Ltd.**, Kazo (JP)

(\*\*) Term: **15 Years**

(21) Appl. No.: **29/720,299**

(22) Filed: **Jan. 10, 2020**

(30) **Foreign Application Priority Data**

Jul. 12, 2019 (JP) ..... 2019-15739

(51) **LOC (13) Cl.** ..... **14-02**

(52) **U.S. Cl.**  
USPC ..... **D14/411**

(58) **Field of Classification Search**

USPC ..... D14/372, 496, 432, 371, 125, 126, 129,  
D14/299, 411; D16/300-342; 351/158,  
351/153, 144; 345/7-9, 905; 455/344;  
348/115, 53, 121, 739

CPC ..... G02B 27/017; G06F 3/016; G06F 3/033;  
G06F 3/0317; G06F 3/03545; G06F  
3/041; G06K 9/222

See application file for complete search history.

(56) **References Cited**

**U.S. PATENT DOCUMENTS**

D614,622 S \* 4/2010 Nakata ..... D14/411  
D617,327 S \* 6/2010 Crisp ..... D14/411

D699,723 S \* 2/2014 Nishizawa ..... D14/411  
D750,630 S \* 3/2016 Nishizawa ..... D14/411  
D773,462 S \* 12/2016 Mitchell ..... D14/411  
D797,742 S \* 9/2017 Chang ..... D14/411  
D841,737 S \* 2/2019 Hallar ..... D19/177  
D886,822 S \* 6/2020 Mitchell ..... D14/411

**FOREIGN PATENT DOCUMENTS**

JP D1604512 S 5/2018

\* cited by examiner

*Primary Examiner* — Austin Murphy

(74) *Attorney, Agent, or Firm* — Christensen O'Connor  
Johnson Kindness PLLC

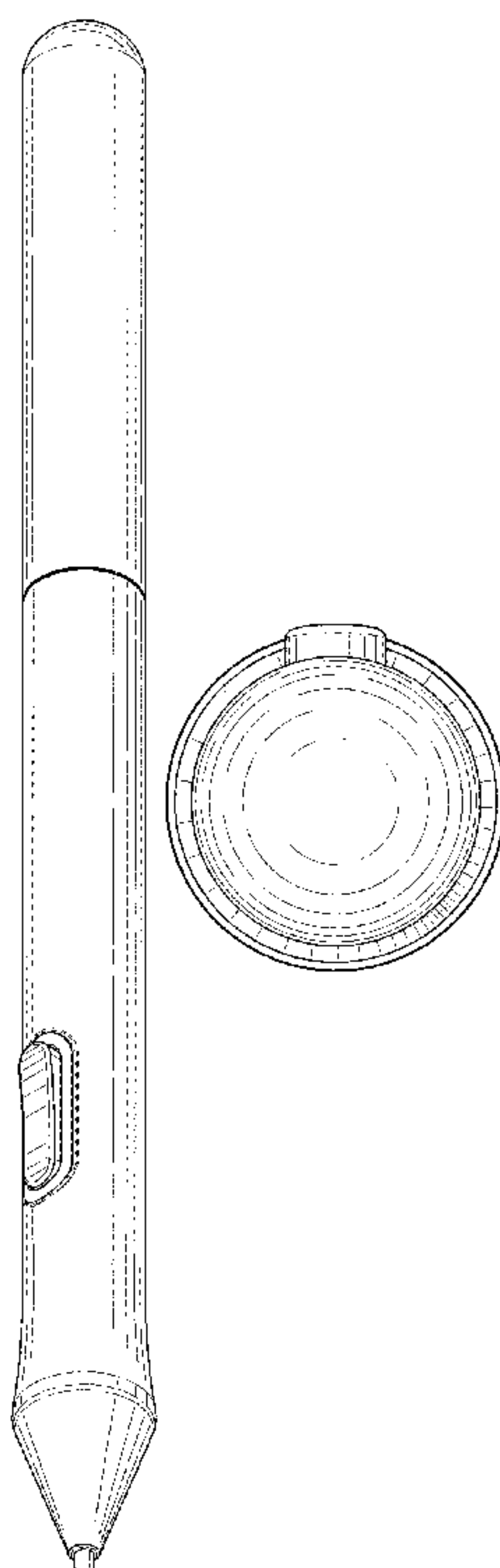
(57) **CLAIM**

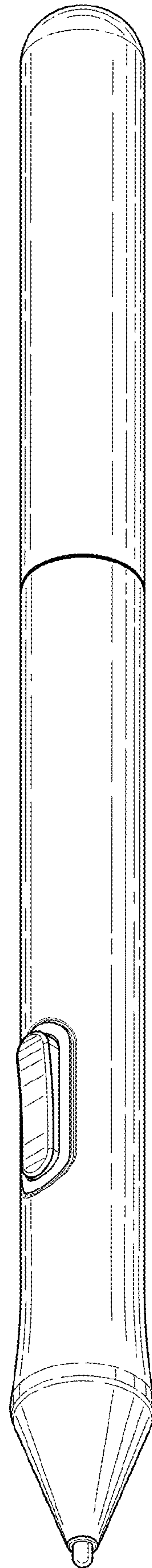
The ornamental design for a coordinate input instrument, as shown and described.

**DESCRIPTION**

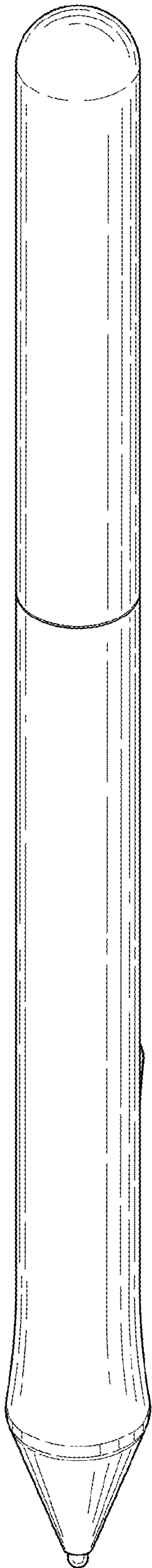
FIG. 1 is a bottom-front-right perspective view of a coordinate input instrument according to our new design; FIG. 2 is a top-rear-left perspective view thereof; FIG. 3 is a front elevational view thereof; FIG. 4 is a right side elevational view thereof, wherein a left side elevation view is mirror symmetrical to the right side elevation view; FIG. 5 is a rear elevational view thereof, a FIG. 6 is an enlarged top plan view thereof; and, FIG. 7 is an enlarged bottom plan view thereof.

**1 Claim, 4 Drawing Sheets**

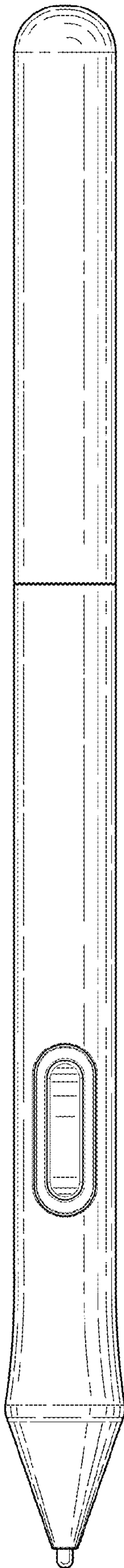




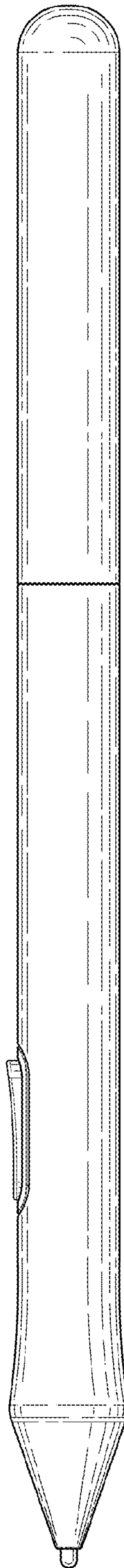
**FIG. 1**



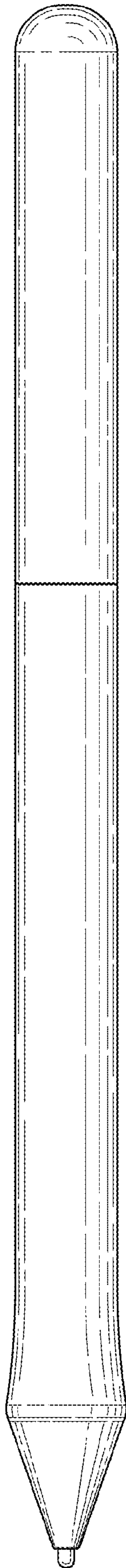
***FIG. 2***



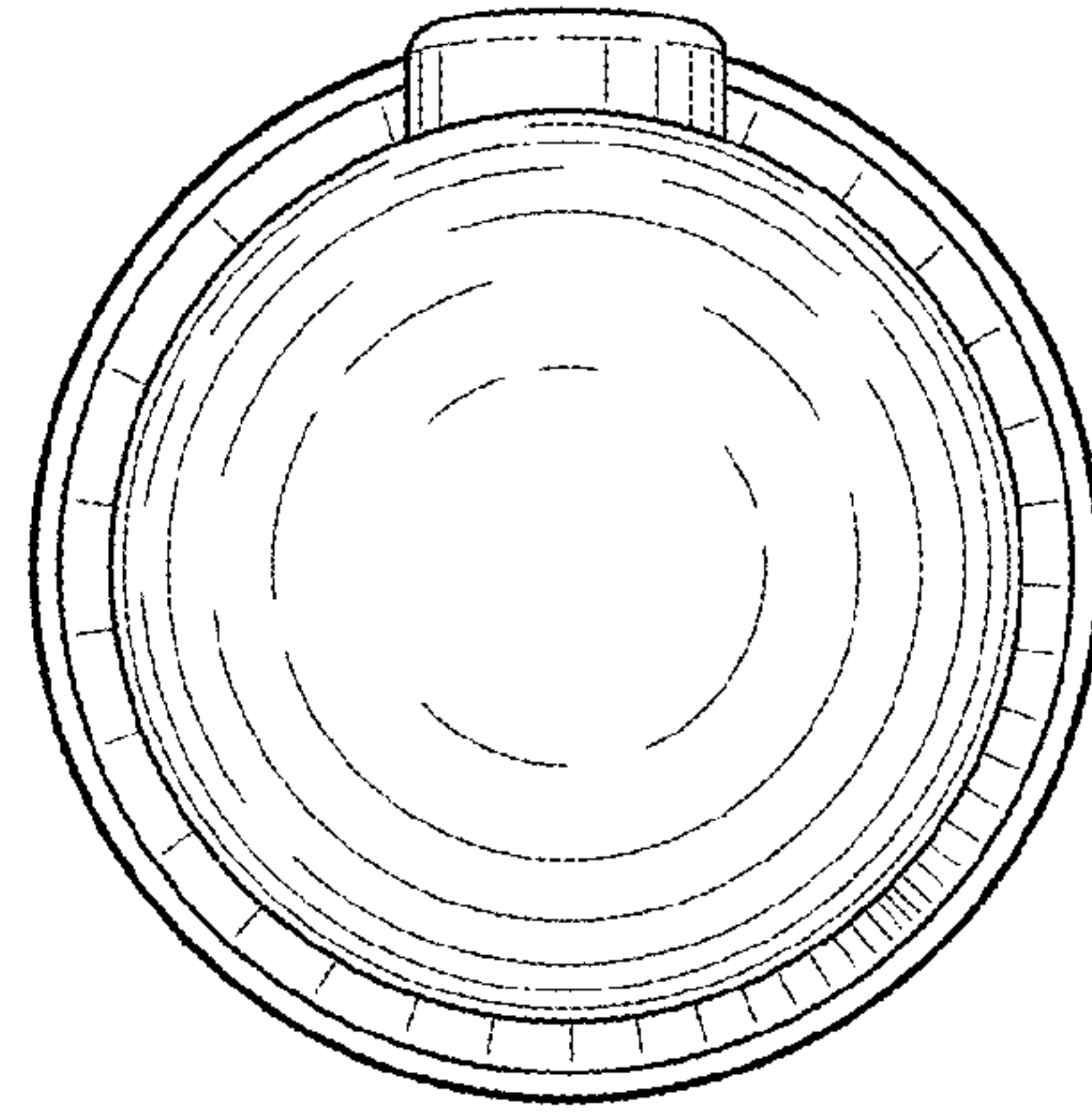
**FIG. 3**



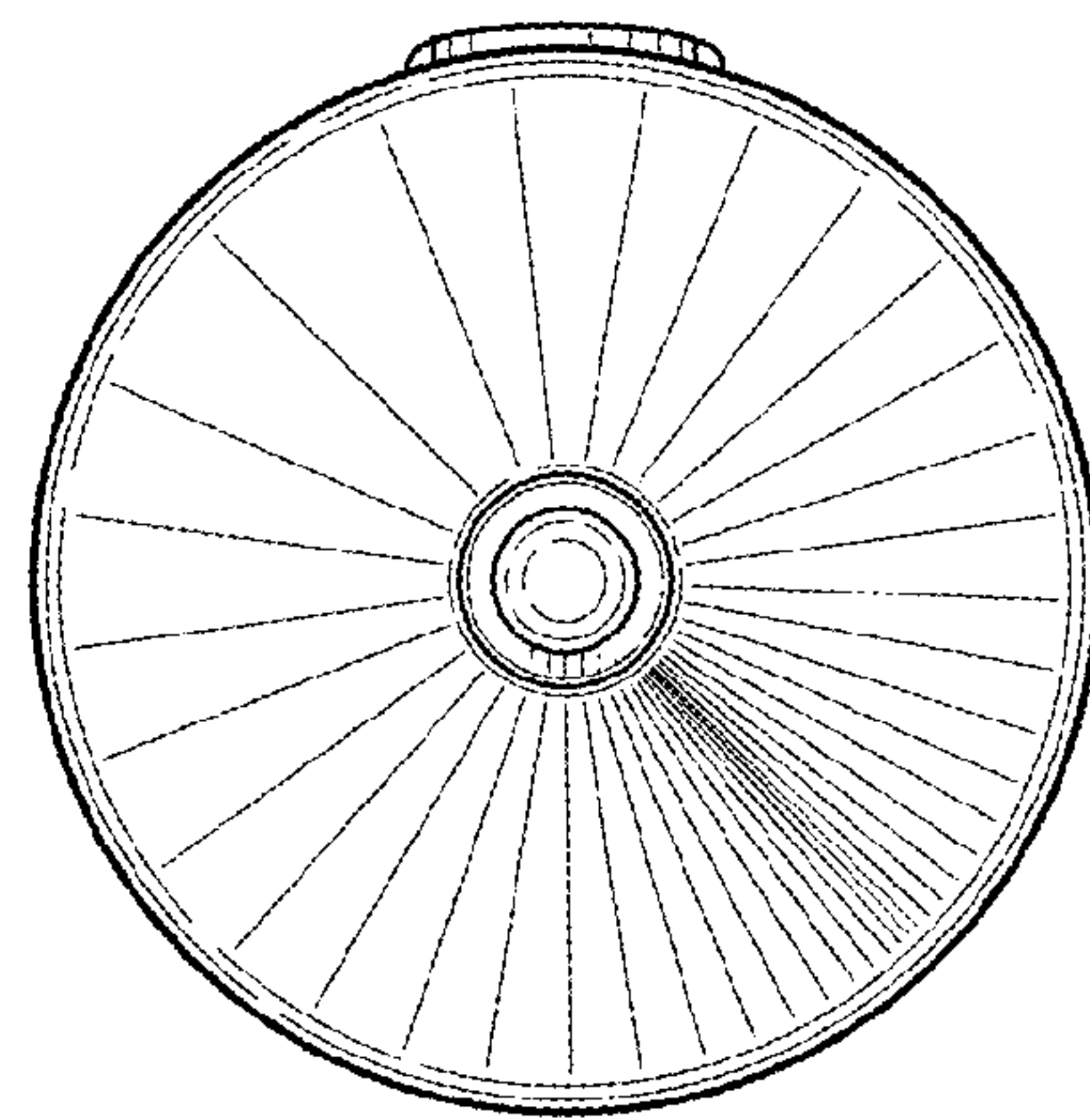
**FIG. 4**



**FIG. 5**



**FIG. 6**



**FIG. 7**