



US00D917481S

(12) **United States Design Patent** (10) **Patent No.:** **US D917,481 S**
Nishizawa (45) **Date of Patent:** **** Apr. 27, 2021**

(54) **COORDINATE INPUT INSTRUMENT**

(71) Applicant: **Wacom Co., Ltd.**, Kazo (JP)

(72) Inventor: **Naoya Nishizawa**, Toyko (JP)

(73) Assignee: **Wacom Co., Ltd.**, Kazo (JP)

(**) Term: **15 Years**

(21) Appl. No.: **29/705,392**

(22) Filed: **Sep. 11, 2019**

(30) **Foreign Application Priority Data**

Mar. 12, 2019 (JP) 2019-005100

(51) **LOC (13) Cl.** **14-02**

(52) **U.S. Cl.**
USPC **D14/411**

(58) **Field of Classification Search**
USPC D14/372, 496, 432, 371, 125, 126, 129,
D14/299, 411; D16/300-342; 351/158,
351/153, 144; 345/7-9, 905; 455/344;
348/115, 53, 121, 739
CPC G02B 27/017; G06F 3/016; G06F 3/033;
G06F 3/0317; G06F 3/03545; G06F
3/041; G06K 9/222

See application file for complete search history.

(56) **References Cited**

U.S. PATENT DOCUMENTS

D419,541 S * 1/2000 Kawashima D14/411
D615,589 S * 5/2010 Hillemann D19/185
D619,580 S 7/2010 Nakayama et al.
D709,886 S 7/2014 Lin
D715,298 S * 10/2014 Hong D14/411
D770,453 S * 11/2016 Sumsion D14/411

D772,230 S * 11/2016 Lee D14/411
D789,453 S * 6/2017 Walker D19/180
D795,258 S * 8/2017 Bell D14/411
D797,742 S * 9/2017 Chang D14/411
D799,488 S * 10/2017 Nishizawa D14/411
D802,592 S 11/2017 Varghese et al.
D834,089 S * 11/2018 Walker D19/179
D842,548 S * 3/2019 Langdon D28/76
D848,425 S * 5/2019 Lam D14/411
D895,620 S * 9/2020 Vadenne D14/411

FOREIGN PATENT DOCUMENTS

CN 302437089 S 5/2013
CN 304613730 S 5/2018
JP D1510604 S 11/2014

* cited by examiner

Primary Examiner — Austin Murphy

(74) *Attorney, Agent, or Firm* — Christensen O'Connor
Johnson Kindness PLLC

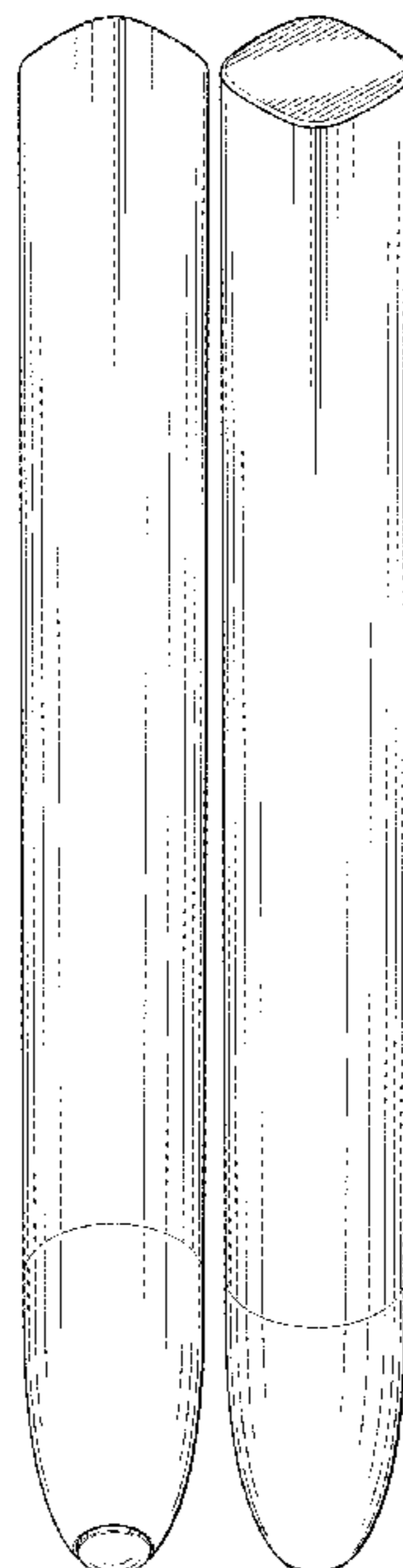
(57) **CLAIM**

The ornamental design for a coordinate input instrument, as shown and described.

DESCRIPTION

FIG. 1 is a bottom-front-right perspective view of a coordinate input instrument according to my new design; FIG. 2 is a top-rear-left perspective view thereof; FIG. 3 is a front elevational view thereof, wherein a rear elevational view, a right side elevational view, and a left side elevational view are identical to the front elevational view; FIG. 4 is a bottom plan view thereof; FIG. 5 is a top plan view thereof; FIG. 6 is an enlarged bottom plan view thereof; and, FIG. 7 is an enlarged top plan view thereof.

1 Claim, 3 Drawing Sheets



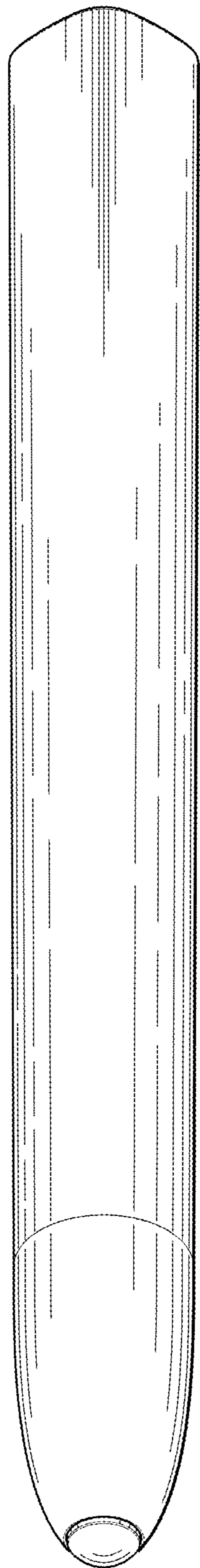


Fig. 1.

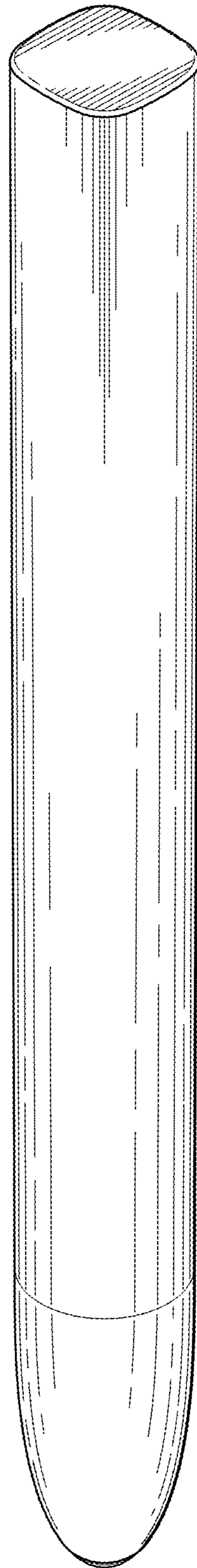


Fig. 2.

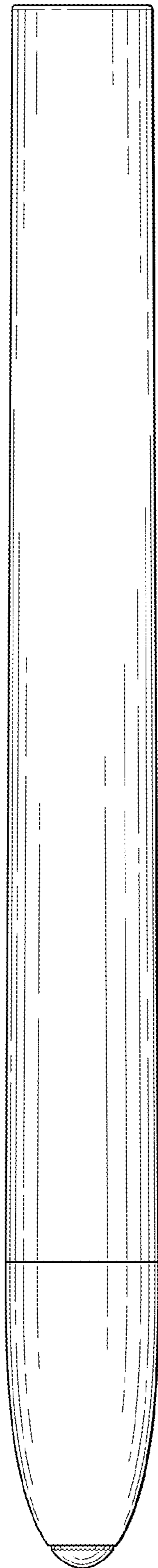


Fig. 3.

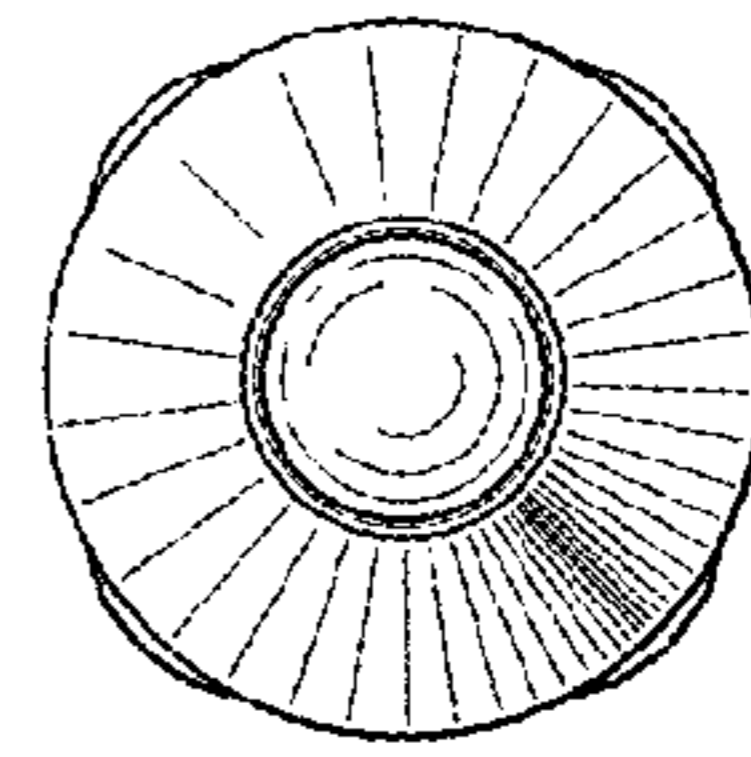


Fig. 4.

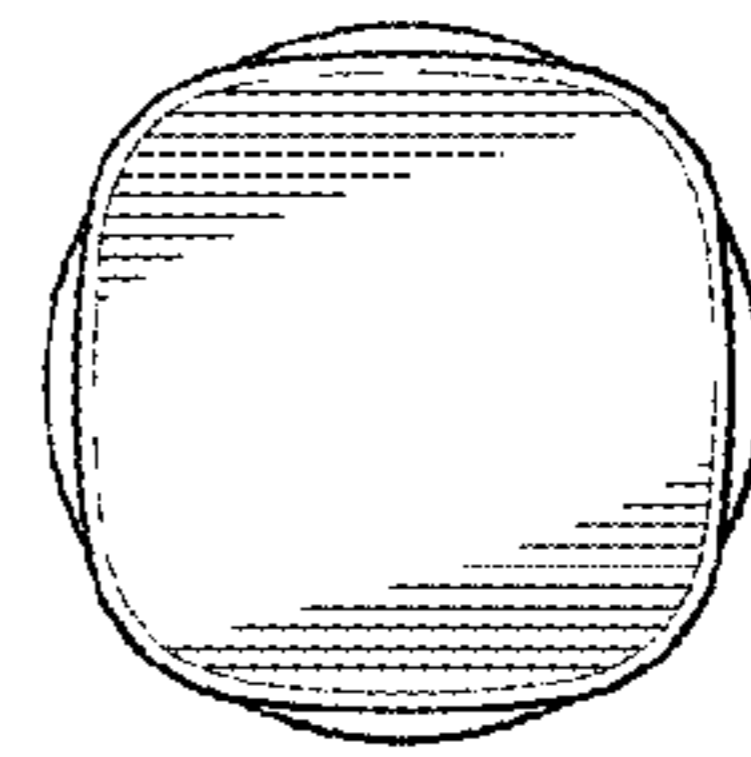


Fig. 5.

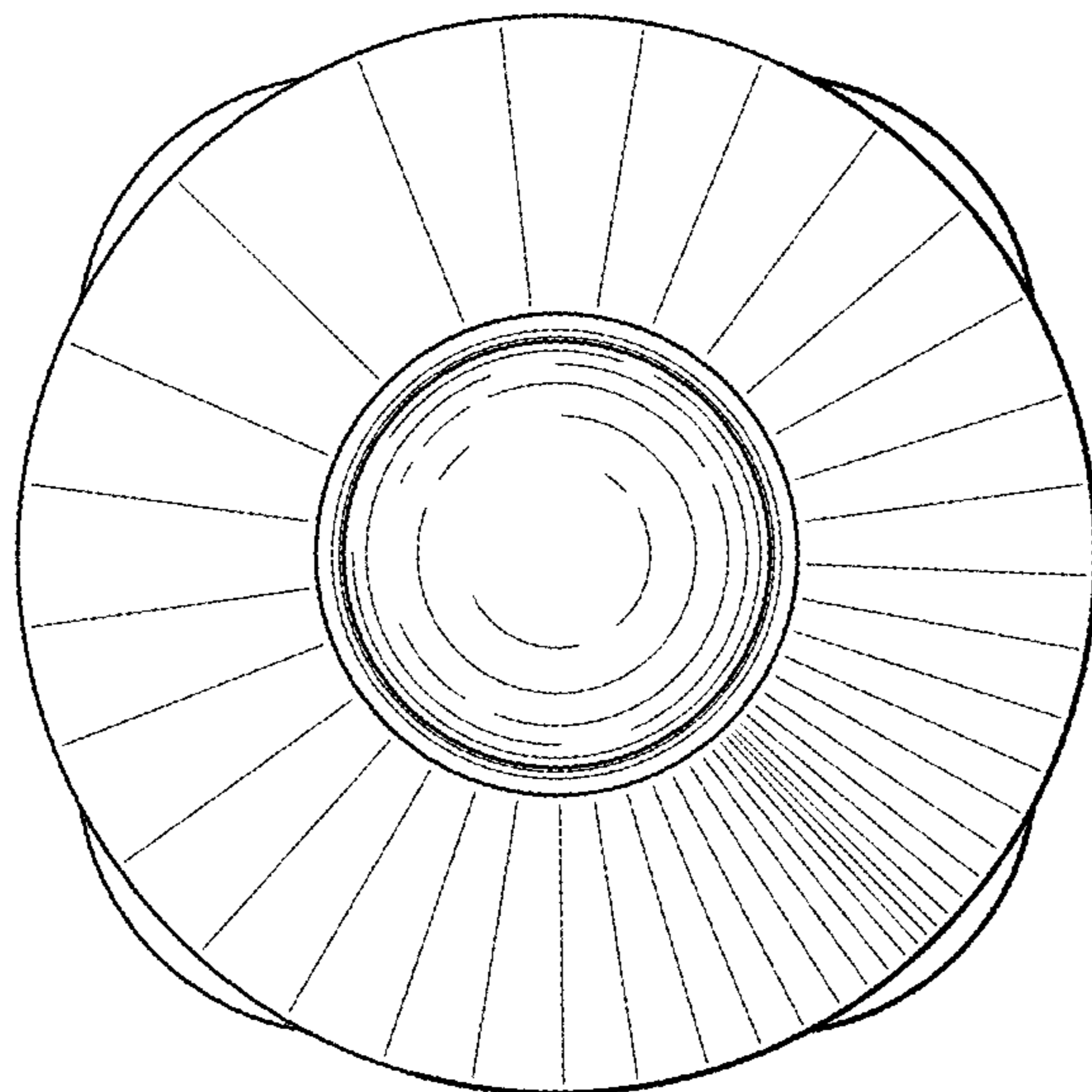


Fig. 6.

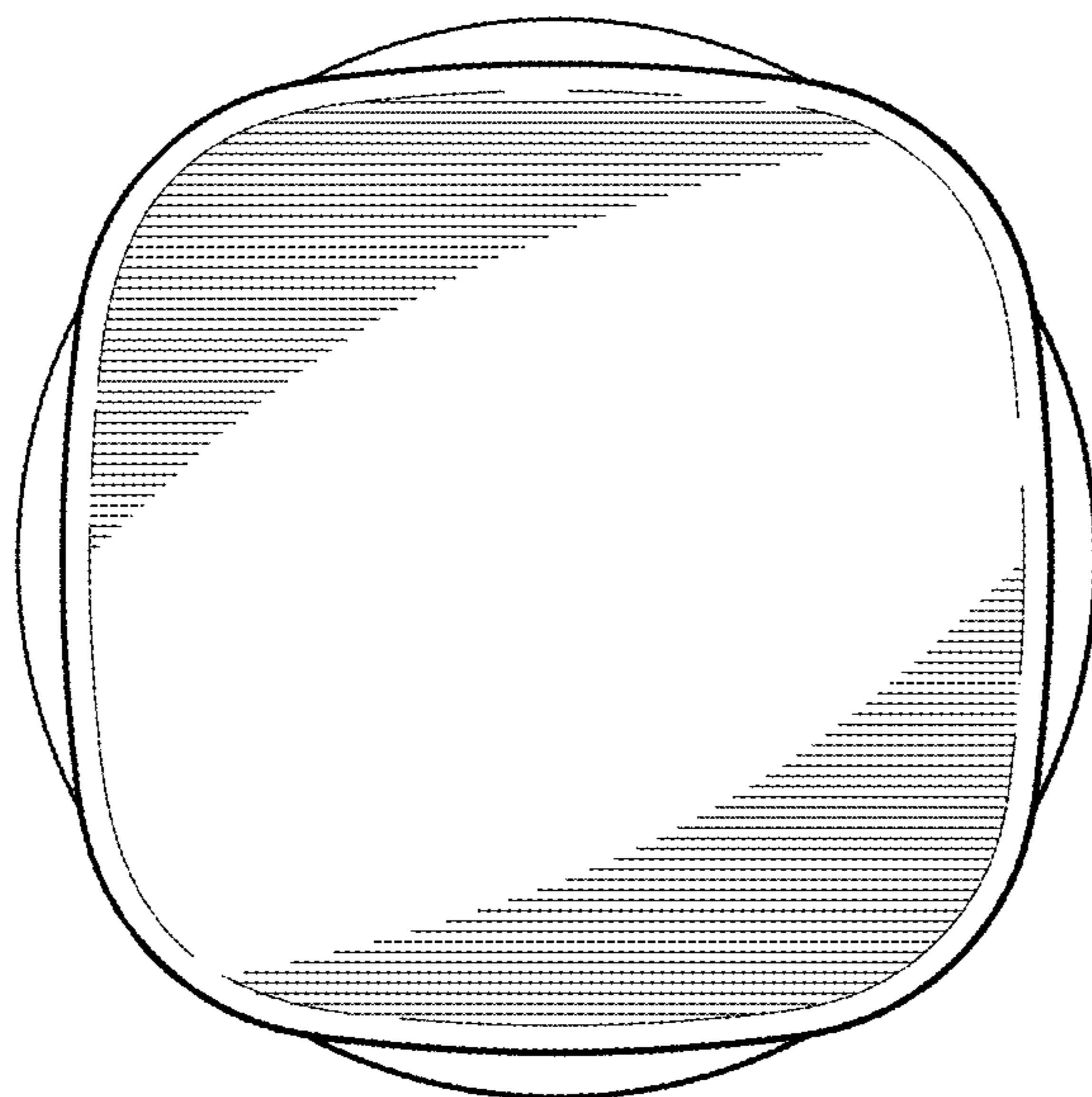


Fig. 7.

UNITED STATES PATENT AND TRADEMARK OFFICE
CERTIFICATE OF CORRECTION

PATENT NO. : D917,481 S
APPLICATION NO. : 29/705392
DATED : April 27, 2021
INVENTOR(S) : N. Nishizawa

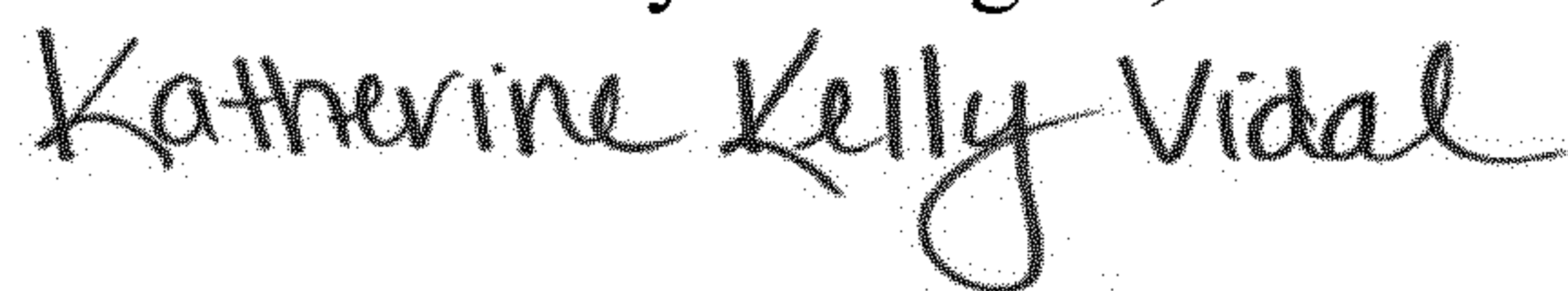
Page 1 of 1

It is certified that error appears in the above-identified patent and that said Letters Patent is hereby corrected as shown below:

On the Title Page

<u>Column</u>	<u>Line</u>	
Item (72)	1	change "Toyko" to --Tokyo --.
Inventor		

Signed and Sealed this
Fifteenth Day of August, 2023



Katherine Kelly Vidal
Director of the United States Patent and Trademark Office