



US00D917480S

(12) **United States Design Patent**
Lu et al.

(10) **Patent No.:** **US D917,480 S**

(45) **Date of Patent:** **** Apr. 27, 2021**

(54) **USB CONTROLLER**

(71) Applicants: **Shaohong Lu**, Shangrao (CN); **Bohua Dai**, Hubei Province (CN)

(72) Inventors: **Shaohong Lu**, Shangrao (CN); **Bohua Dai**, Hubei Province (CN)

(**) Term: **15 Years**

(21) Appl. No.: **29/747,489**

(22) Filed: **Aug. 24, 2020**

(51) **LOC (13) Cl.** **14-02**

(52) **U.S. Cl.**

USPC **D14/388**; D14/435.1

(58) **Field of Classification Search**

USPC D14/388, 218, 454, 299, 496, 400, 401,
D14/356, 357, 358, 432, 433, 435.1,
D14/480.1, 480.2, 480.3, 480.4;
D13/133, 154, 158, 162, 171; D21/333
CPC H05K 5/0278; H05K 19/07732; G06F
2212/2146; G06F 2213/0042; G06F
2213/3812; G06F 3/0658; G06F 3/1279;
G06F 3/1431; G06F 21/83; F21V
23/0435

See application file for complete search history.

(56) **References Cited**

U.S. PATENT DOCUMENTS

D49,126 S * 5/1916 Manson D13/171
D193,186 S * 7/1962 Marcour D13/158
D300,528 S * 4/1989 Drane D13/171
D307,579 S * 5/1990 Layne D13/137.3
D351,375 S * 10/1994 Nagele D13/171
D367,262 S * 2/1996 Lux D13/137.3
D372,249 S * 7/1996 Pinchuk D14/299
D391,922 S * 3/1998 Aromin D13/160
D391,943 S * 3/1998 Han D14/356
D391,944 S * 3/1998 Han D14/356
D396,852 S * 8/1998 Chao D14/358

D410,529 S * 6/1999 Taylor D23/245
D414,476 S * 9/1999 Hibino D14/358
D454,546 S * 3/2002 MacKay D13/160
D456,807 S * 5/2002 Floyd D14/356
D461,476 S * 8/2002 Evers D14/433
D464,347 S * 10/2002 Floyd D14/356
D464,630 S * 10/2002 Woodworth D13/171
D465,222 S * 11/2002 Wang D13/137.4
D466,896 S * 12/2002 Cheng D14/356
D469,411 S * 1/2003 Decosse D13/171
D481,389 S * 10/2003 Owen D14/358
D481,687 S * 11/2003 Moriya D13/171
D484,137 S * 12/2003 Wikel D13/133
D489,069 S * 4/2004 Lin D14/385
D496,038 S * 9/2004 Floyd D14/356
D507,569 S * 7/2005 Tagliabue D14/356
D512,060 S * 11/2005 Wang D14/480.1
D512,417 S * 12/2005 Hirakawa D14/223
D513,231 S * 12/2005 Han D13/147
D515,516 S * 2/2006 Mayo D13/171
D516,031 S * 2/2006 Han D13/147

(Continued)

Primary Examiner — Marie D. Fast Horse

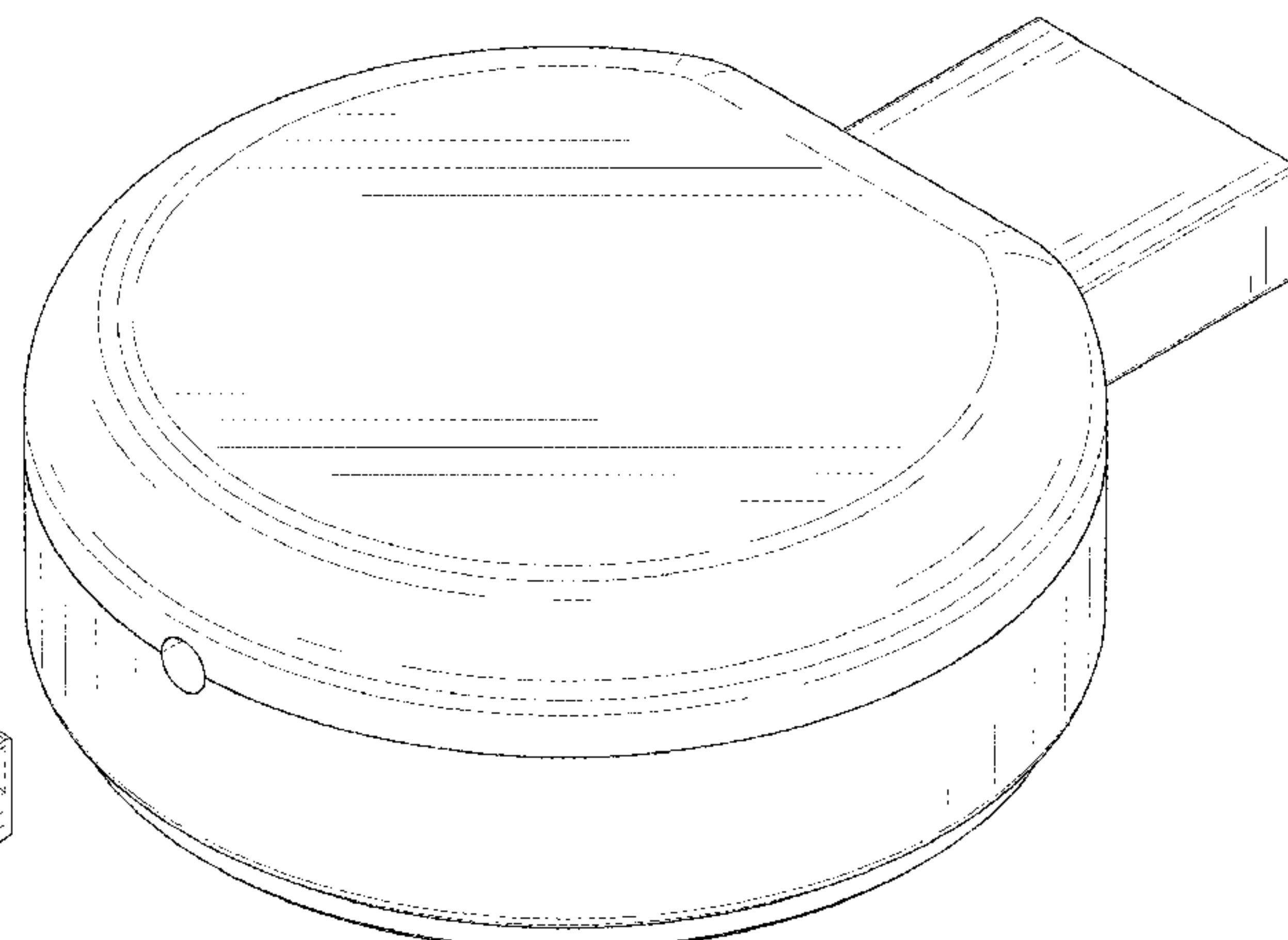
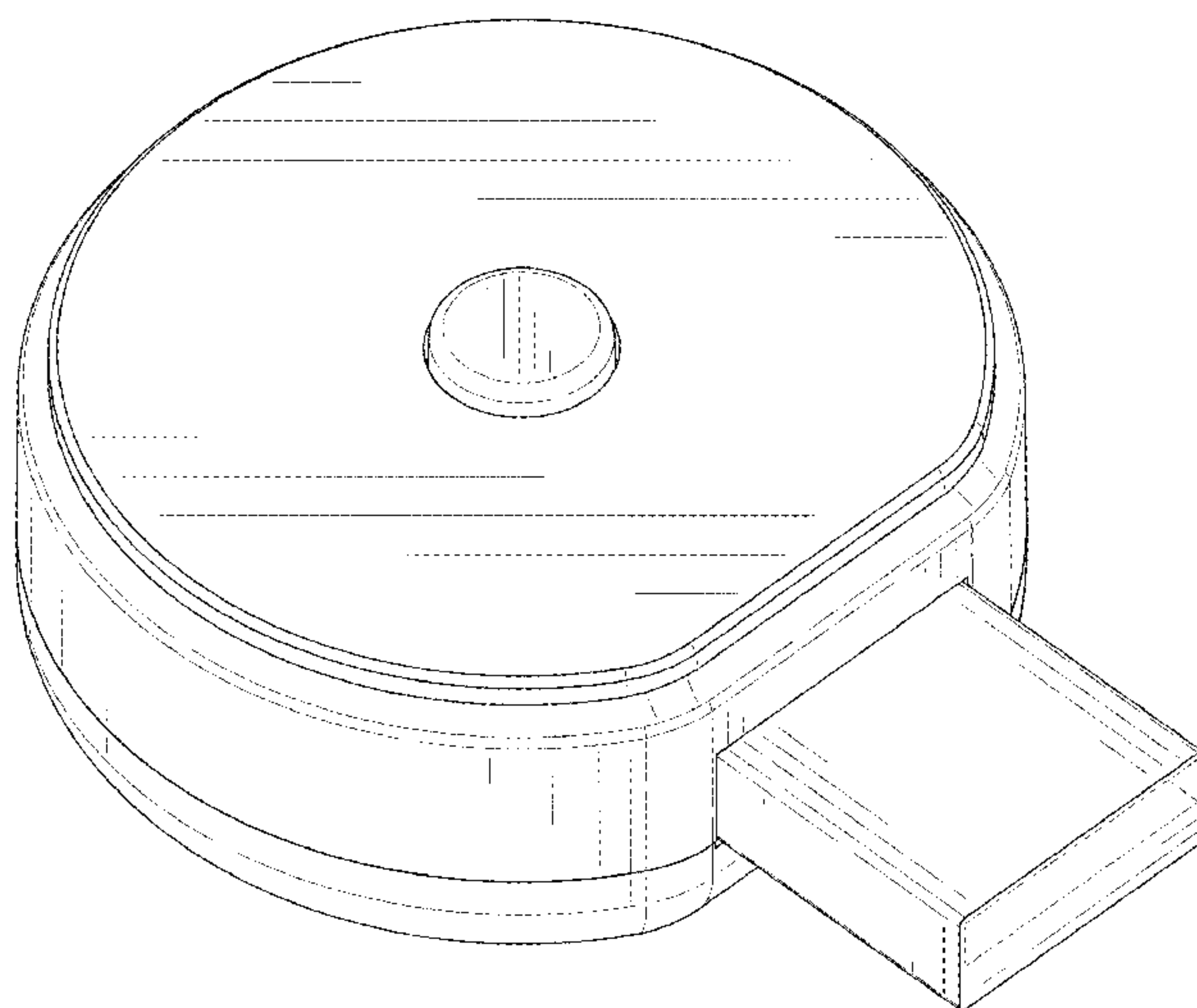
(57) **CLAIM**

The ornamental design for a USB controller, as shown and described.

DESCRIPTION

FIG. 1 is a front and top perspective view of a USB controller, showing our new design;
FIG. 2 is a rear and bottom perspective view thereof;
FIG. 3 is a front elevational view thereof;
FIG. 4 is a rear elevational view thereof;
FIG. 5 is a left side elevational view thereof;
FIG. 6 is a right side elevational view thereof;
FIG. 7 is a top plan view thereof; and,
FIG. 8 is a bottom plan view thereof.
The dashed broken lines in the figures depict portions of the USB controller that form no part of the claimed design.

1 Claim, 8 Drawing Sheets



(56)

References Cited

U.S. PATENT DOCUMENTS

D519,454 S *	4/2006	Christianson	D13/133	D741,865 S *	10/2015	Sundermeyer	D14/433
D519,504 S *	4/2006	Tagliabue	D14/356	D751,538 S *	3/2016	Koehler	D14/240
D519,937 S *	5/2006	Laurent	D13/160	D760,221 S *	6/2016	Maruyama	D14/357
D523,015 S *	6/2006	Loftus	D14/480.1	D765,041 S *	8/2016	Yu	D13/160
D524,295 S *	7/2006	Jacobson	D14/218	D768,114 S *	10/2016	Hou	D14/218
D532,783 S *	11/2006	Yu	D14/480.4	D775,233 S *	12/2016	Beck	D14/496
D534,160 S *	12/2006	Lin	D14/216	D782,483 S *	3/2017	Patel	D14/433
D534,448 S *	1/2007	Shaffer, II	D14/435.1	D782,485 S *	3/2017	Cai	D14/433
D542,280 S *	5/2007	Taylor	D14/218	D783,546 S *	4/2017	Peng	D13/170
D555,605 S *	11/2007	Parnell	D13/171	D784,338 S *	4/2017	Lee	D14/433
D561,113 S *	2/2008	Samhammer	D13/162	D784,960 S	4/2017	Gassner	
D568,304 S *	5/2008	Park	D14/357	D786,876 S *	5/2017	Huang	D14/433
D585,842 S *	2/2009	Kagami	D13/158	D803,226 S *	11/2017	Lee	D14/480.1
D585,843 S *	2/2009	Sakaguchi	D13/158	D803,704 S *	11/2017	Schwarz	D10/49
D596,622 S *	7/2009	Lee	D14/218	D805,041 S *	12/2017	Koskinen	D13/171
D597,068 S *	7/2009	Whang	D14/203.7	D806,034 S *	12/2017	Knight	D13/133
D598,018 S *	8/2009	Sumii	D14/356	D810,086 S *	2/2018	Xie	D14/433
D601,142 S *	9/2009	Lindley	D14/435.1	D810,087 S *	2/2018	Xie	D14/433
D601,561 S *	10/2009	Nunes	D14/358	D813,234 S *	3/2018	Nadler	D14/388
D607,852 S *	1/2010	Riede	D13/174	D818,971 S *	5/2018	Peng	D13/171
D619,117 S *	7/2010	Unruh	D14/203.6	D822,643 S *	7/2018	Chen	D14/218
D626,147 S *	10/2010	Goddard	D14/496	D829,714 S *	10/2018	Robinson	D14/356
D632,292 S *	2/2011	Yang	D14/385	D830,309 S *	10/2018	Holley	D13/153
D635,142 S *	3/2011	Borislow	D14/435.1	D835,589 S *	12/2018	Zhang	D13/171
D638,001 S *	5/2011	Nakhjiri	D14/242	D840,954 S *	2/2019	Wu	D13/168
D643,847 S *	8/2011	Boucard	D14/480.7	D849,704 S *	5/2019	Kim	D14/137
D647,530 S *	10/2011	Busch	D14/480.3	D851,090 S *	6/2019	Tak	D14/433
D647,531 S *	10/2011	Busch	D14/480.3	D855,570 S *	8/2019	Vladimirovich	D13/133
D647,532 S *	10/2011	Busch	D14/480.3	D857,261 S *	8/2019	Xie	D26/60
D656,143 S *	3/2012	Schlossstein	D14/480.1	D864,163 S *	10/2019	Lindof	D14/217
D659,093 S *	5/2012	Schmid	D13/108	D881,877 S *	4/2020	Montanari	D14/356
D669,027 S *	10/2012	Kumpula	D13/108	D887,375 S *	6/2020	Andersson	D13/171
D675,217 S *	1/2013	Lee	D14/480.6	D890,752 S *	7/2020	Huang	D14/358
D685,790 S *	7/2013	Tang	D14/388	D892,121 S *	8/2020	Tak	D14/433
D685,808 S *	7/2013	Billington	D14/480.6	D902,210 S *	11/2020	Jensen	D14/433
D692,427 S *	10/2013	Janson	D14/388	D907,007 S *	1/2021	Chen	D14/218
D708,188 S *	7/2014	Erickson	D14/480.1	D910,598 S *	2/2021	Kass	G06F 1/1656
D709,504 S *	7/2014	Breines	D14/433				D14/218
D714,731 S *	10/2014	Lee	D13/147	2006/0176689 A1 *	8/2006	Dowdy	F21V 23/0435
D718,773 S *	12/2014	Erickson	D14/480.1				362/188
D719,170 S *	12/2014	Gao	D14/480.1	2010/0151723 A1 *	6/2010	Su	H01R 31/06
D719,171 S *	12/2014	Erickson	D14/480.1				439/505
D729,179 S *	5/2015	Cheung	D13/171	2014/0063814 A1 *	3/2014	McGowan	F21V 23/06
							362/308
				2019/0021156 A1 *	1/2019	Julian	H05B 47/12

* cited by examiner

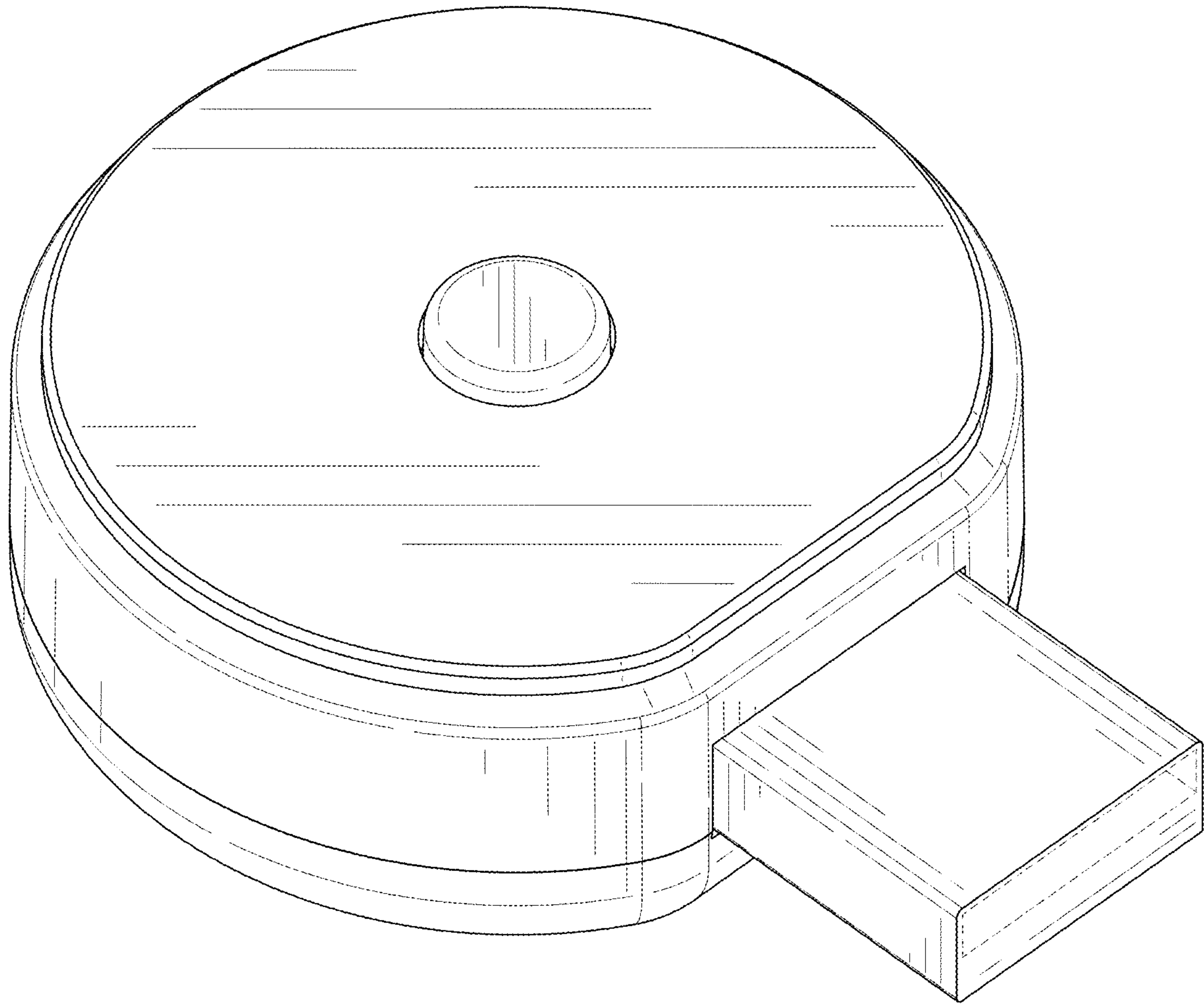


FIG. 1

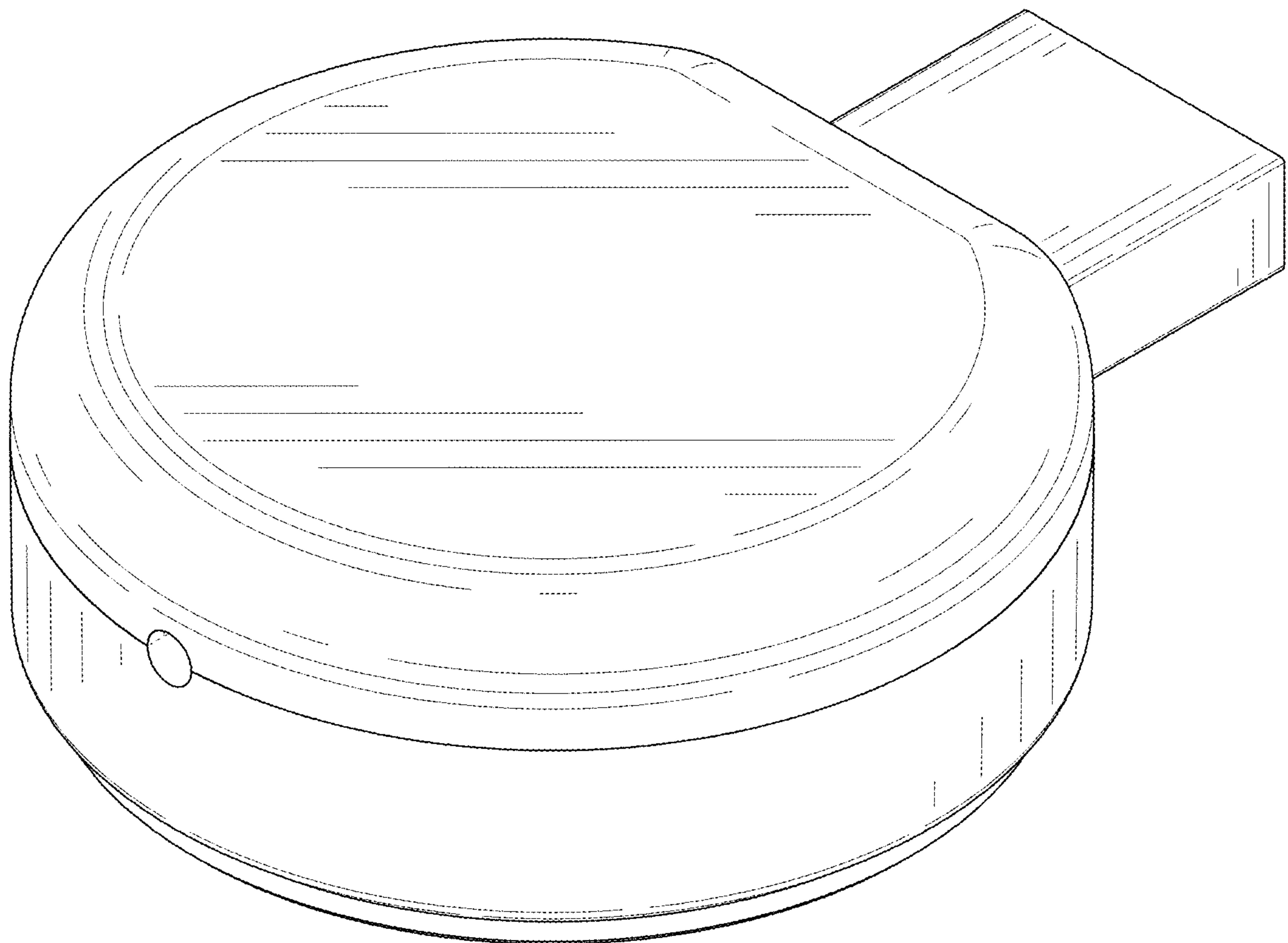


FIG. 2

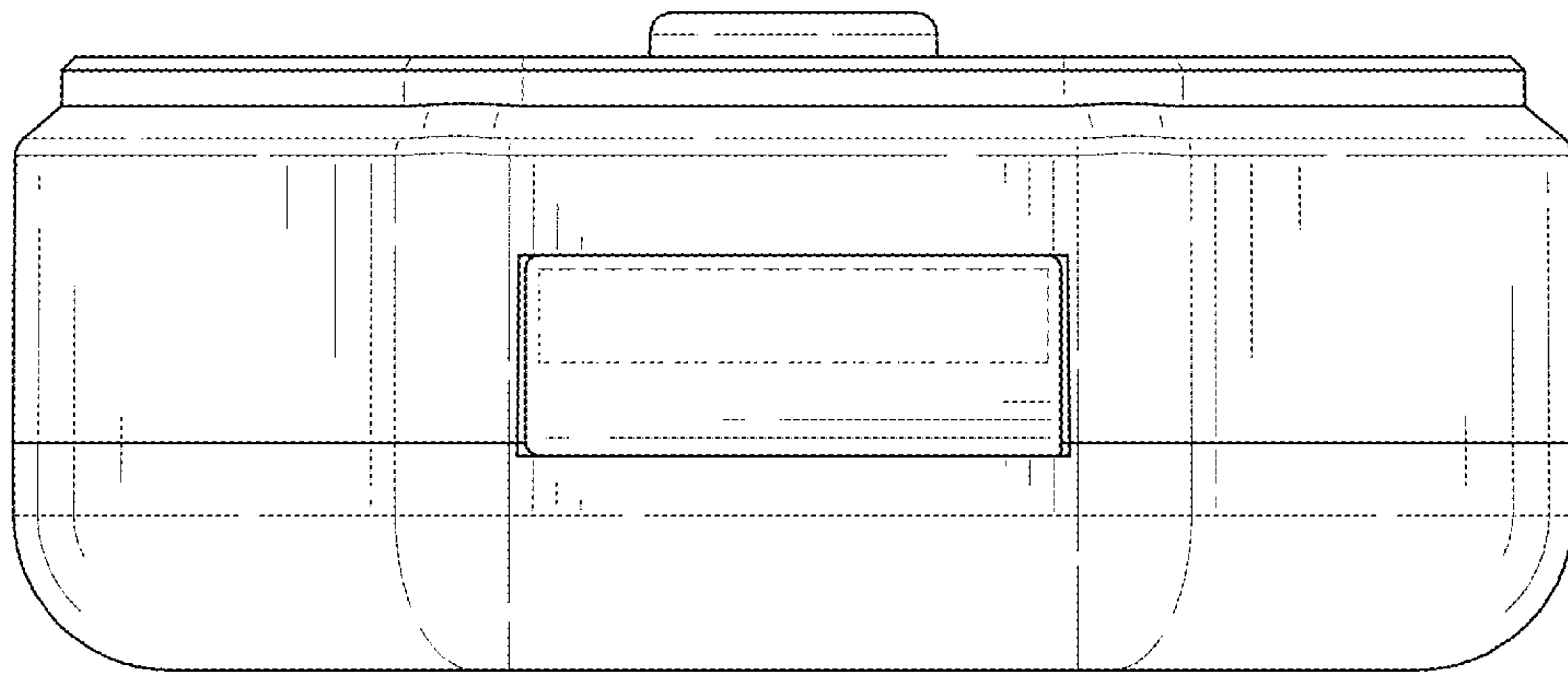


FIG. 3

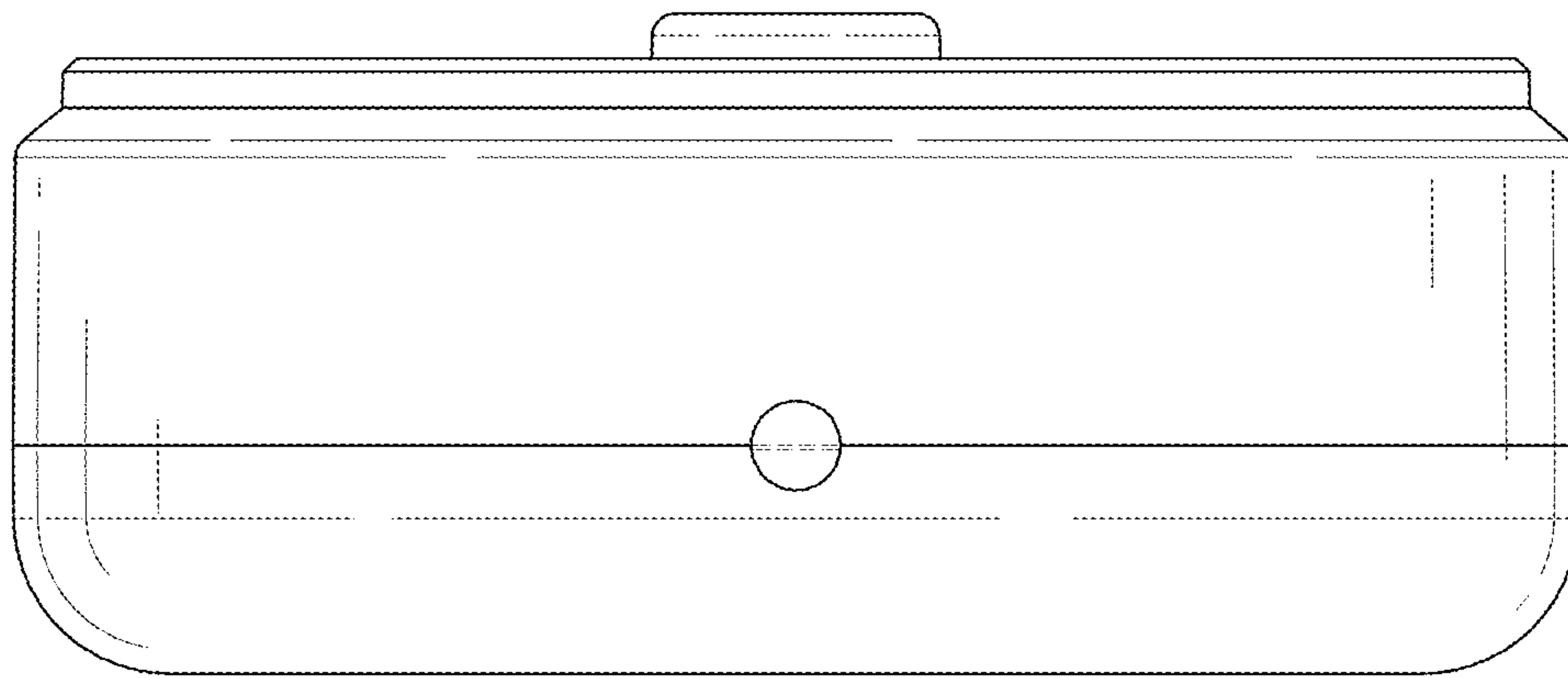


FIG. 4

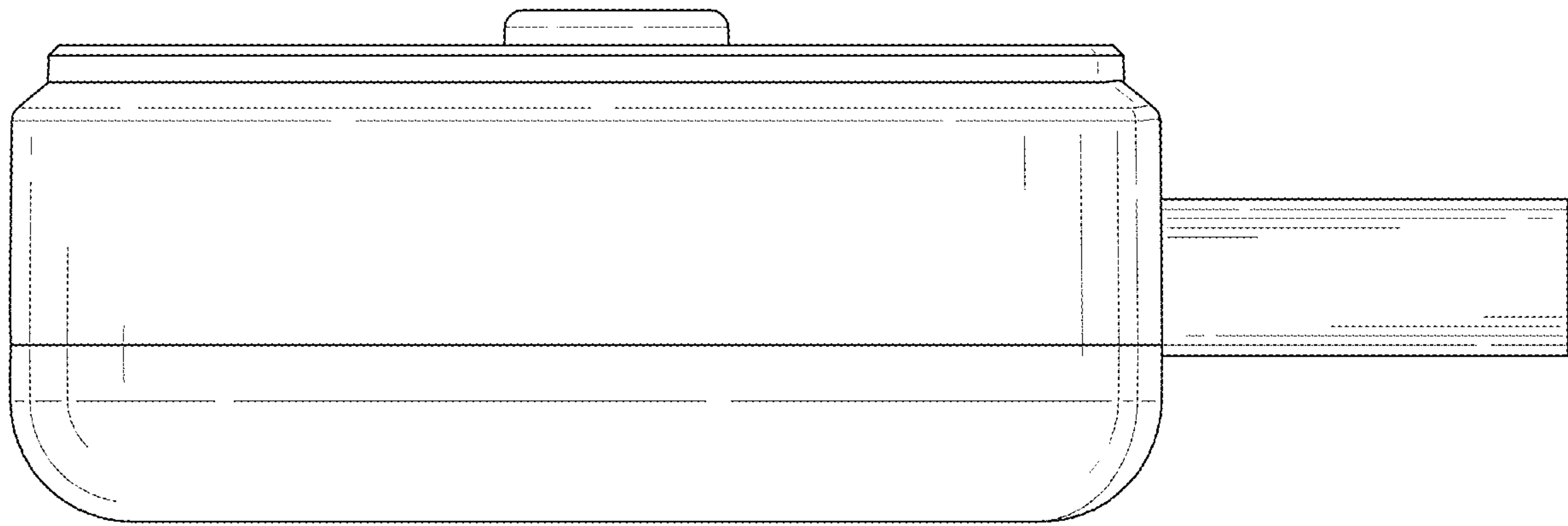


FIG. 5

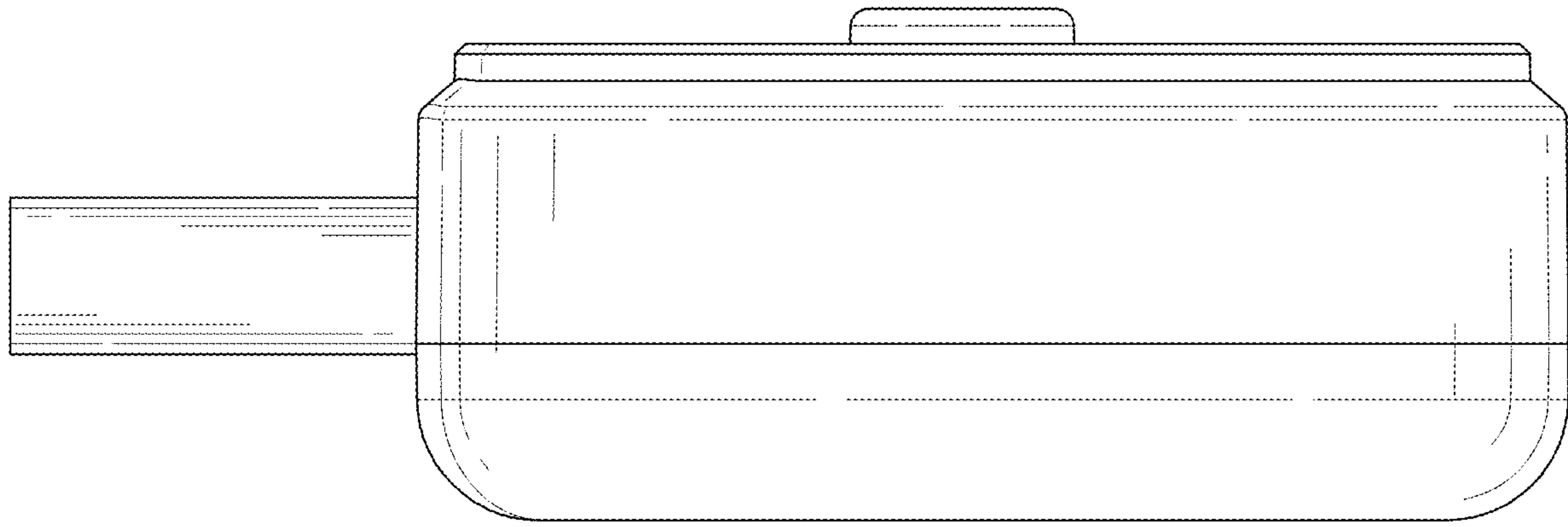


FIG. 6

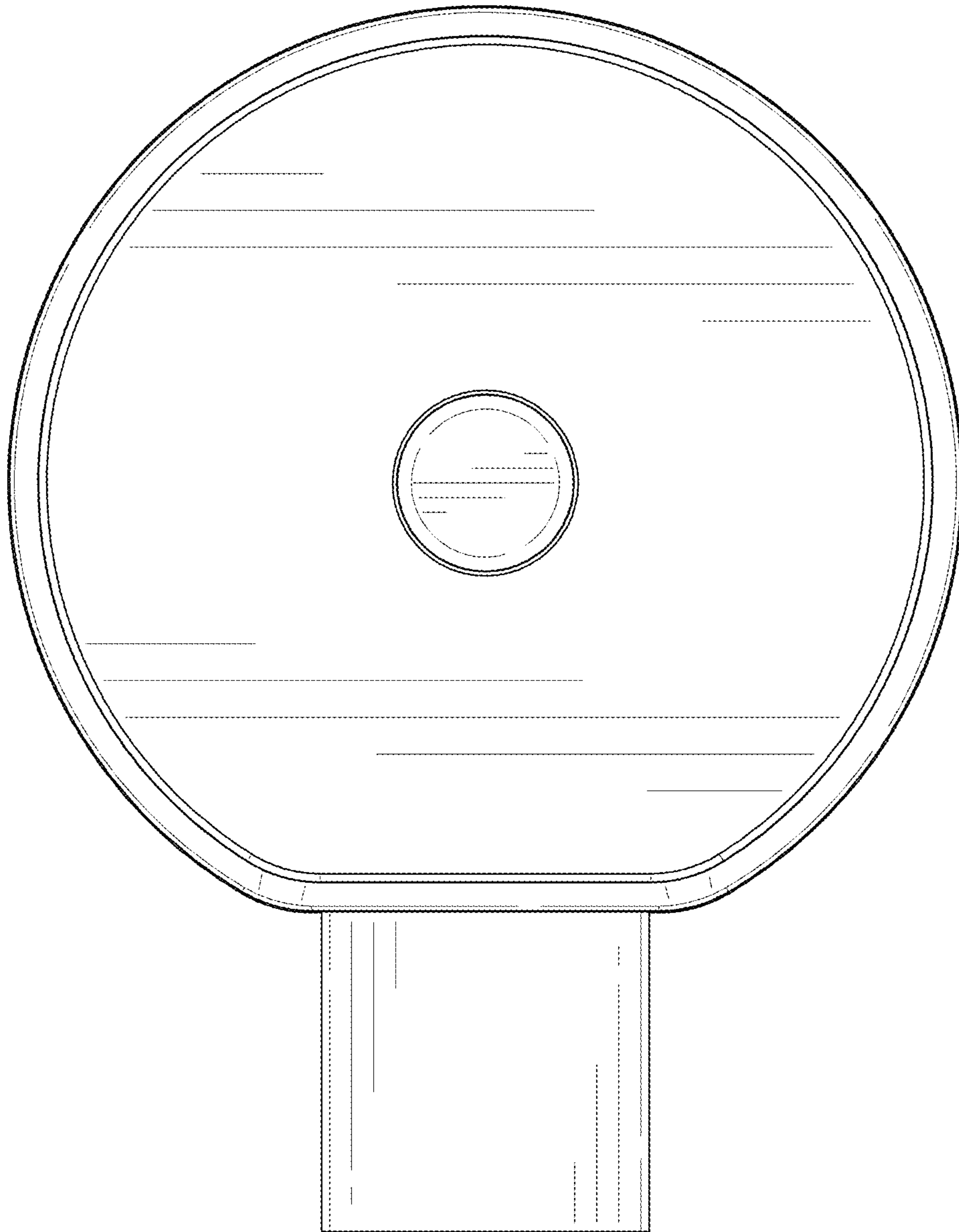


FIG. 7

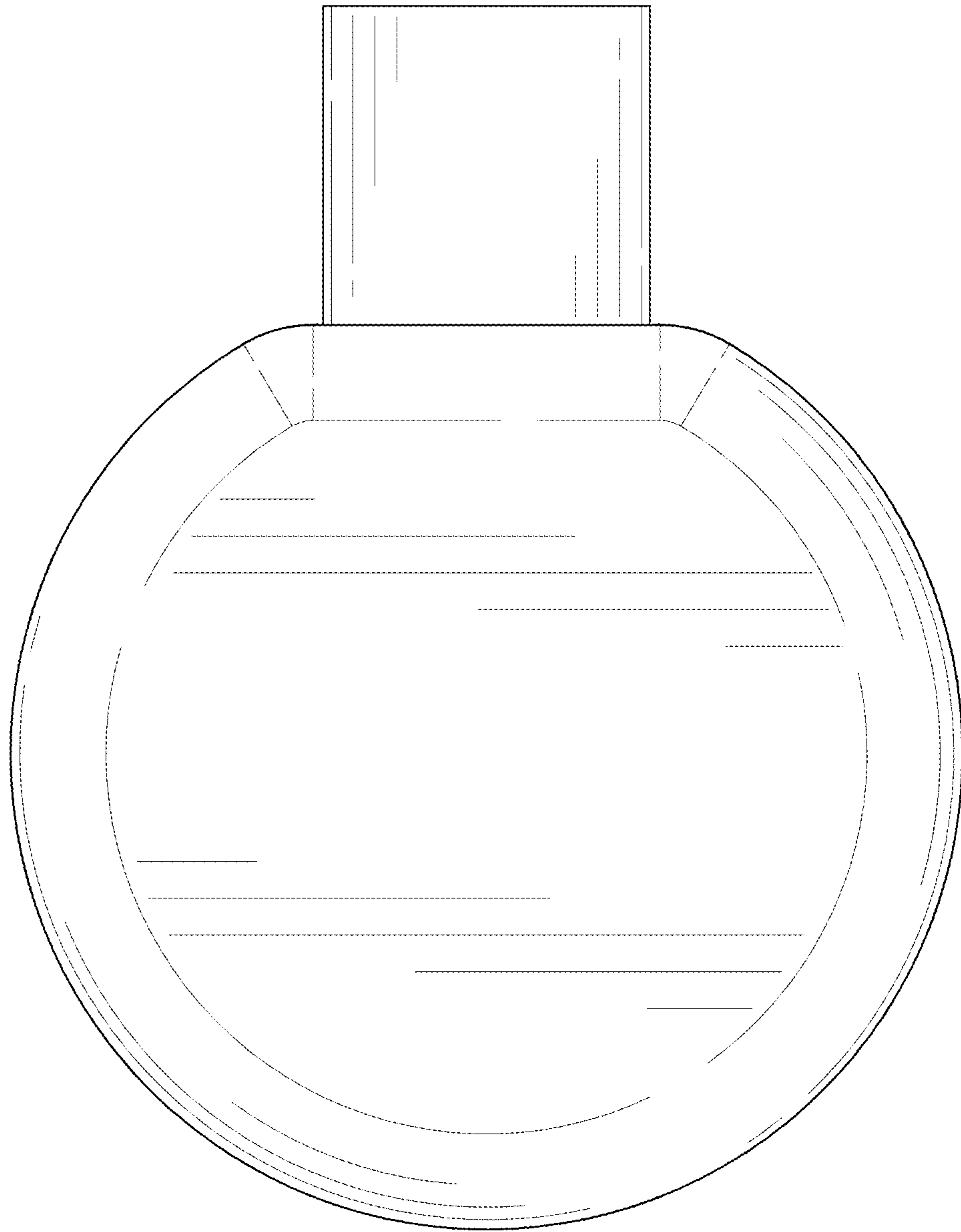


FIG. 8