



US00D917479S

(12) **United States Design Patent**
Deng

(10) **Patent No.:** **US D917,479 S**

(45) **Date of Patent:** **** Apr. 27, 2021**

(54) **USB CONTROLLER**

(71) Applicant: **Haibo Deng**, Guangdong (CN)

(72) Inventor: **Haibo Deng**, Guangdong (CN)

(**) Term: **15 Years**

(21) Appl. No.: **29/716,768**

(22) Filed: **Dec. 11, 2019**

(30) **Foreign Application Priority Data**

Jul. 2, 2019 (CN) 201930348764.3

(51) **LOC (13) Cl.** **14-02**

(52) **U.S. Cl.**

USPC **D14/388**; D14/435.1

(58) **Field of Classification Search**

USPC D14/388, 218, 454, 299, 496, 400, 401,
D14/356, 357, 358, 432, 433, 435.1,
D14/480.1, 480.2, 480.3, 480.4;
D13/133, 154, 158, 162, 171; D21/333
CPC H05K 5/0278; H05K 19/07732; G06F
2212/2146; G06F 2213/0042; G06F
2213/3812; G06F 3/0658; G06F 3/1279;
G06F 3/1431; G06F 21/83

See application file for complete search history.

(56) **References Cited**

U.S. PATENT DOCUMENTS

D297,543 S * 9/1988 Aoyama D14/435
D408,384 S * 4/1999 Hata D14/435.1
D445,422 S * 7/2001 Hsin D14/435.1
D445,708 S * 7/2001 Huang D14/435.1
D449,615 S * 10/2001 Lloyd D14/435.1
D461,476 S * 8/2002 Evers D14/433
D463,426 S * 9/2002 Cheng D14/480.1
D481,389 S * 10/2003 Owen D14/358
D481,687 S * 11/2003 Moriya D13/171
D487,259 S * 3/2004 Obata D14/480.3
D499,086 S * 11/2004 Polito D14/218
D513,252 S * 12/2005 Wang D14/357

D530,342 S * 10/2006 Lee D14/480.3
D531,118 S * 10/2006 Krieger D14/435.1
D531,190 S * 10/2006 Lee D14/203.3
D532,776 S * 11/2006 Griffin D14/435.1
D532,783 S * 11/2006 Yu D14/480.3
D538,223 S * 3/2007 Yang D13/107
D541,797 S * 5/2007 Chen D14/480.3
D542,789 S * 5/2007 Depay D14/435.1
D544,479 S * 6/2007 Chen D14/480.4
D544,480 S * 6/2007 Murakami D14/480.5
D545,166 S * 6/2007 Laaper D14/480.3
D545,809 S * 7/2007 Griffin D14/155

(Continued)

OTHER PUBLICATIONS

USB controller—Switches. (Design—© Questel) orbit.com. [online PDF of Foreign references selected by Examiner] 29 pgs. Print Dates range Jan. 13, 2020-Apr. 7, 2020 [Retrieved Feb. 24, 2021] <https://www.orbit.com/export/QPTUJ214/pdf2/ee8cde79-4f41-4a8e-ae5a-0d369f32281a-224040.pdf>.*

Primary Examiner — Marie D. Fast Horse

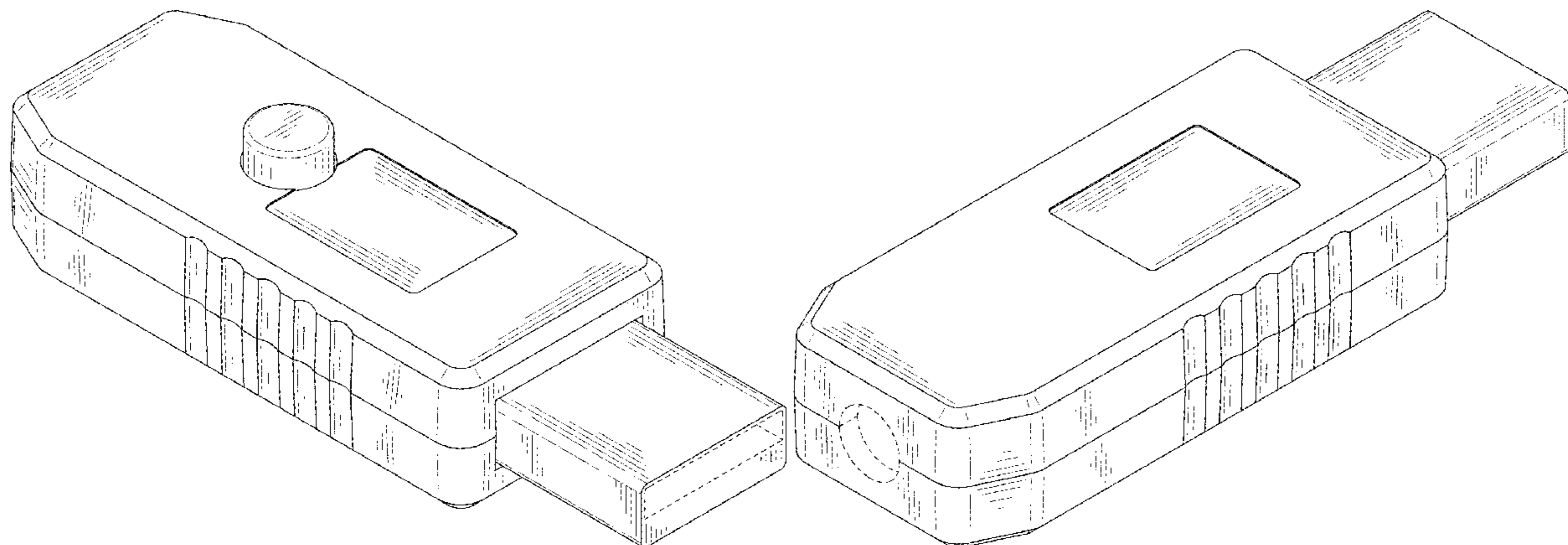
(57) **CLAIM**

The ornamental design for a USB controller, as shown and described.

DESCRIPTION

FIG. 1 is a top, front and left side perspective view of a USB controller showing my new design;
FIG. 2 is a bottom, rear and right side perspective view thereof;
FIG. 3 is a front elevational view thereof;
FIG. 4 is a rear elevational view thereof;
FIG. 5 is a left side view thereof;
FIG. 6 is a right side view thereof;
FIG. 7 is a top plan view thereof; and,
FIG. 8 is a bottom plan view thereof.
The broken lines in the drawings depict portions of the USB controller which form no part of the claimed design.

1 Claim, 8 Drawing Sheets



(56)

References Cited

U.S. PATENT DOCUMENTS

D546,328 S * 7/2007 Kobayakawa D14/480.4
 D547,758 S * 7/2007 Ho D14/480.7
 D554,065 S * 10/2007 Ho D13/147
 D572,249 S * 7/2008 Yang D14/435.1
 D572,250 S * 7/2008 Yang D14/435.1
 D572,251 S * 7/2008 Lee D14/435.1
 D574,822 S * 8/2008 Bhavnani D14/480.3
 D576,619 S * 9/2008 Udagawa D14/435.1
 D577,019 S * 9/2008 Udagawa D14/435.1
 D579,934 S * 11/2008 Okamoto D14/435.1
 D580,436 S * 11/2008 Kiyomiya D14/435.1
 D586,809 S * 2/2009 Jones D14/435.1
 D587,719 S * 3/2009 Tate D14/480.1
 D591,758 S * 5/2009 Lee D14/435.1
 D595,223 S * 6/2009 Yamamoto D14/480.7
 D597,068 S * 7/2009 Whang D14/203.7
 D597,077 S * 7/2009 Brandenburg D14/435.1
 D599,795 S * 9/2009 Lindley D14/480.1
 D601,093 S * 9/2009 Wu D14/435.1
 D601,142 S * 9/2009 Lindley D14/435.1
 D601,561 S * 10/2009 Nunes D14/358
 D602,026 S * 10/2009 Lo D14/480.7
 D603,864 S * 11/2009 Borislow D14/435.1
 D610,156 S * 2/2010 Mudrick D14/480.5
 D617,746 S * 6/2010 Choi D13/164
 D618,224 S * 6/2010 Tong D14/480.1
 D618,225 S * 6/2010 Tong D14/480.1
 D618,226 S * 6/2010 Tong D14/480.1
 D621,831 S * 8/2010 Whitcomb D14/435.1
 D624,012 S * 9/2010 de Medeiros D14/435.1
 D635,142 S * 3/2011 Borislow D14/435.1
 D638,430 S * 5/2011 Lee D14/435.1
 D639,303 S * 6/2011 Ni D14/480.7
 D640,244 S * 6/2011 Pan D14/480.7
 D650,391 S * 12/2011 Liang D14/480.7
 D651,211 S * 12/2011 Lee D14/435.1

D655,294 S * 3/2012 Lee D14/435.1
 D656,145 S * 3/2012 Schlosstein D14/480.3
 D658,635 S * 5/2012 Hou D14/435.1
 D659,144 S * 5/2012 Lee D14/435.1
 D659,145 S * 5/2012 Lee D14/435.1
 D682,841 S * 5/2013 Suetake D14/480.1
 D686,987 S * 7/2013 Vanstone D13/108
 D688,255 S * 8/2013 Daniel D14/480.4
 D692,427 S * 10/2013 Janson D14/388
 D692,428 S * 10/2013 Janson D14/388
 D716,803 S * 11/2014 Neumann D14/358
 D716,804 S * 11/2014 Neumann D14/358
 D721,374 S * 1/2015 Liu D14/433
 D730,904 S * 6/2015 Liu D14/433
 D743,401 S * 11/2015 Shimano D14/435.1
 D764,479 S * 8/2016 Kim D14/480.1
 D768,140 S * 10/2016 Daniel D14/480.1
 D774,040 S * 12/2016 Cobbett D14/480.4
 D774,042 S * 12/2016 Cobbett D14/480.4
 D780,183 S * 2/2017 Ferguson D14/435.1
 D781,867 S * 3/2017 Aulert D14/480.1
 D782,483 S * 3/2017 Patel D14/433
 D788,111 S * 5/2017 Ji D14/433
 D800,138 S * 10/2017 Brown D14/480.5
 D803,842 S * 11/2017 Daniel D14/480.3
 D813,234 S * 3/2018 Nadler D14/388
 D816,025 S * 4/2018 Thompson D13/108
 D826,938 S * 8/2018 Son D14/388
 D829,714 S * 10/2018 Robinson D14/358
 D836,834 S * 12/2018 Cividi D13/108
 D867,335 S * 11/2019 Lee D14/218
 D886,114 S * 6/2020 Roberts D14/480.1
 D905,693 S * 12/2020 Xie D14/435.1
 D906,261 S * 12/2020 Suda D13/158
 D906,302 S * 12/2020 Yu D14/358
 2005/0210168 A1 * 9/2005 Chen G06F 13/4068
 710/62
 2008/0133832 A1 * 6/2008 Bhavnani G06K 19/07743
 711/115

* cited by examiner

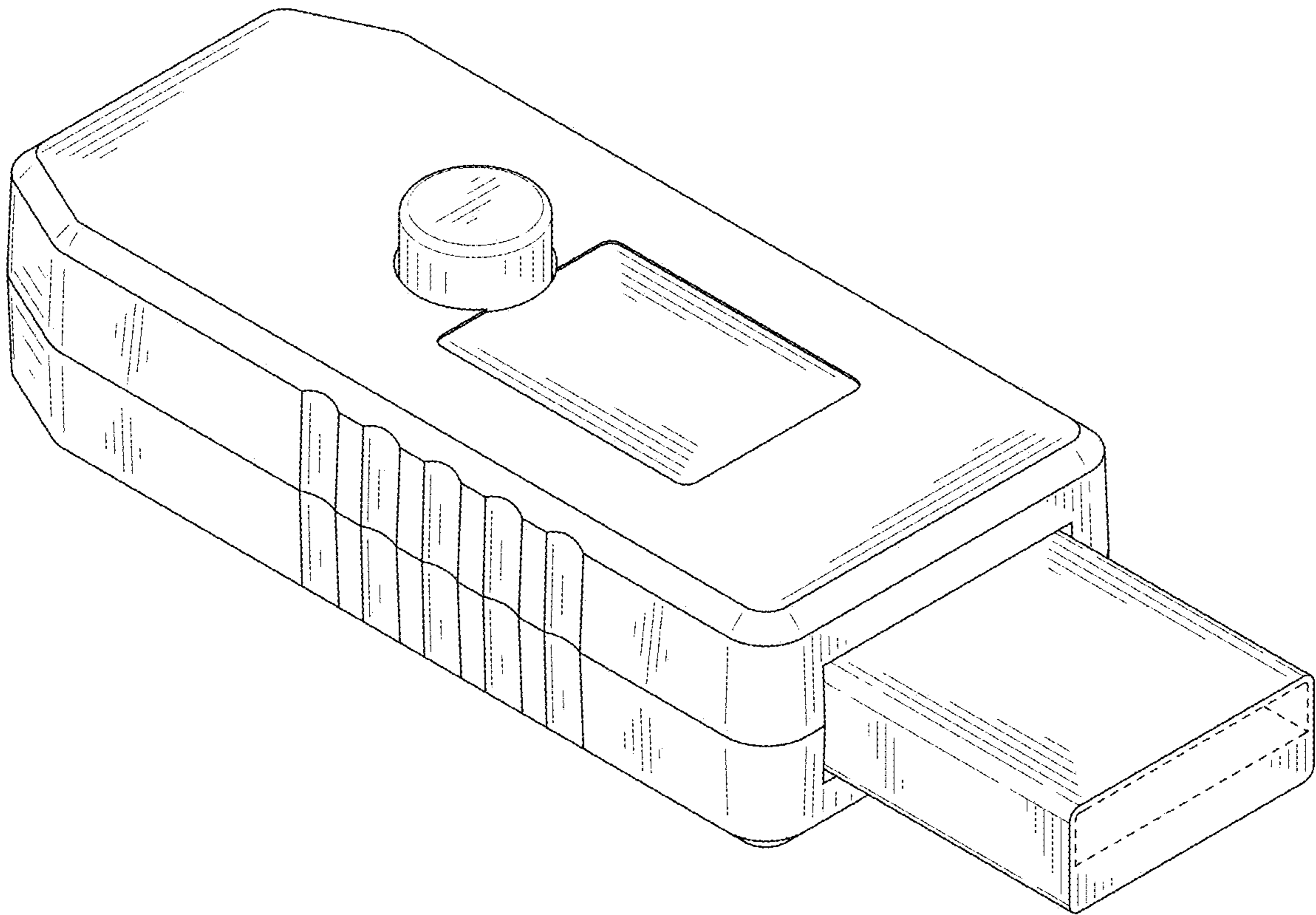


FIG. 1

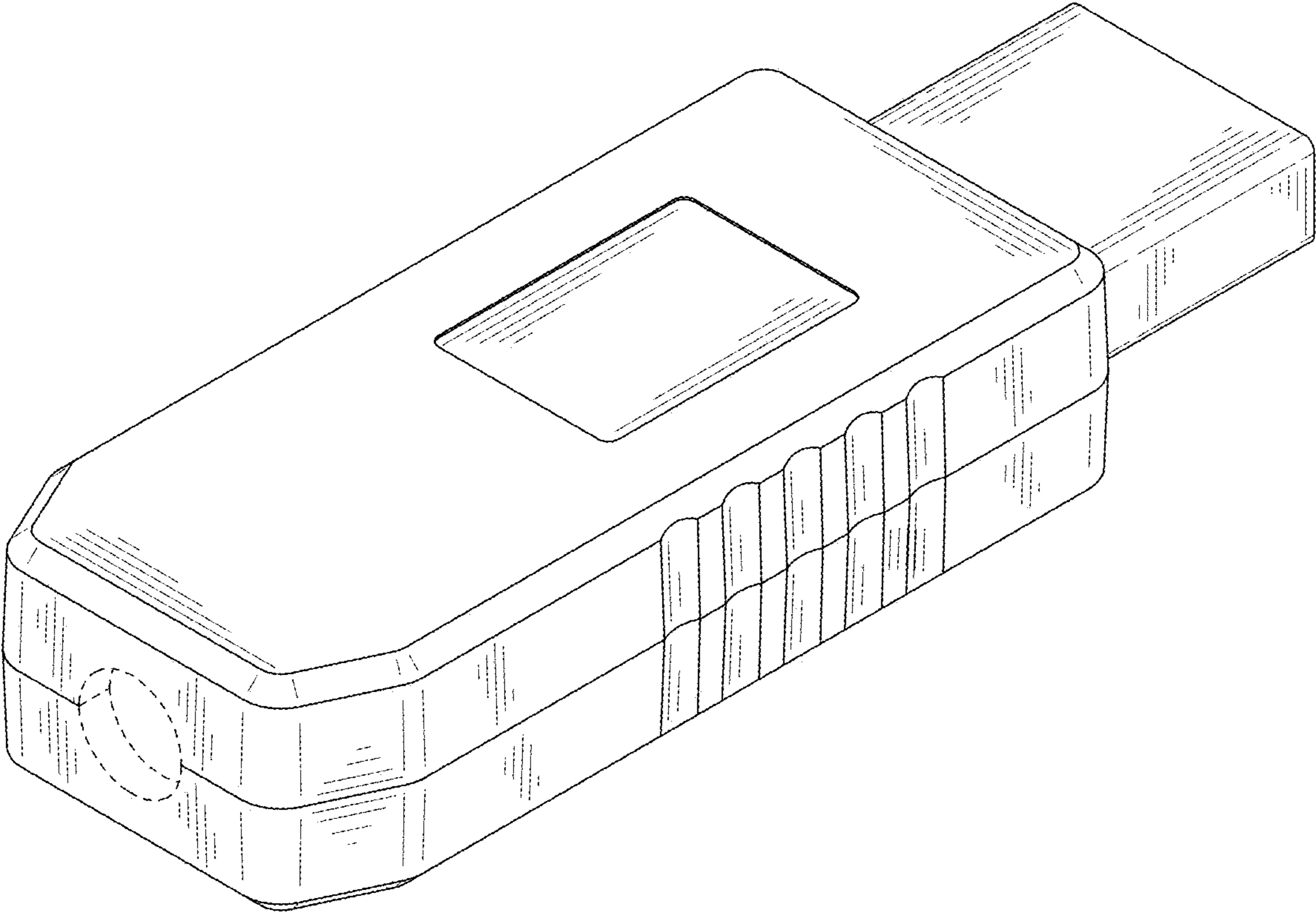


FIG. 2

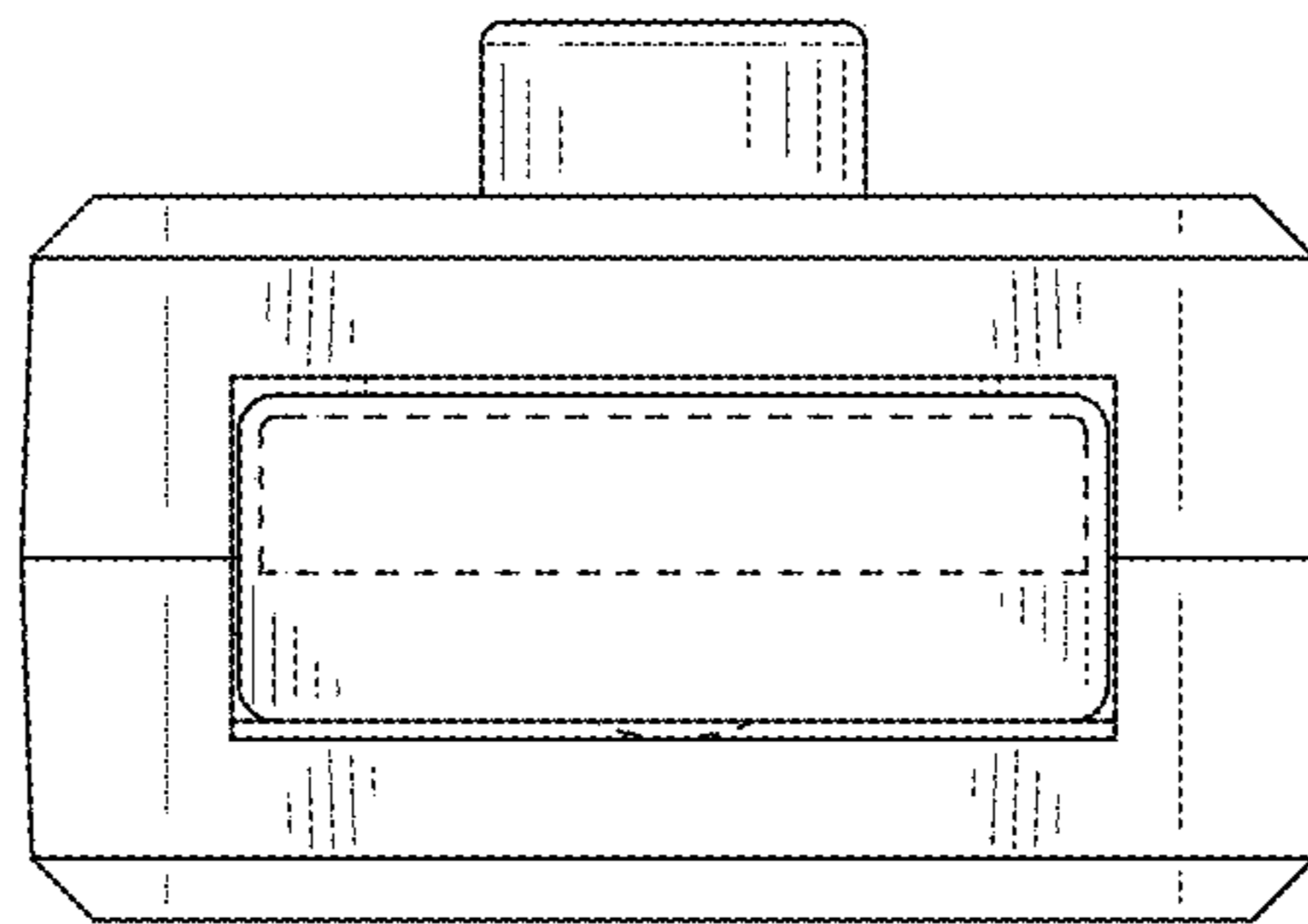


FIG. 3

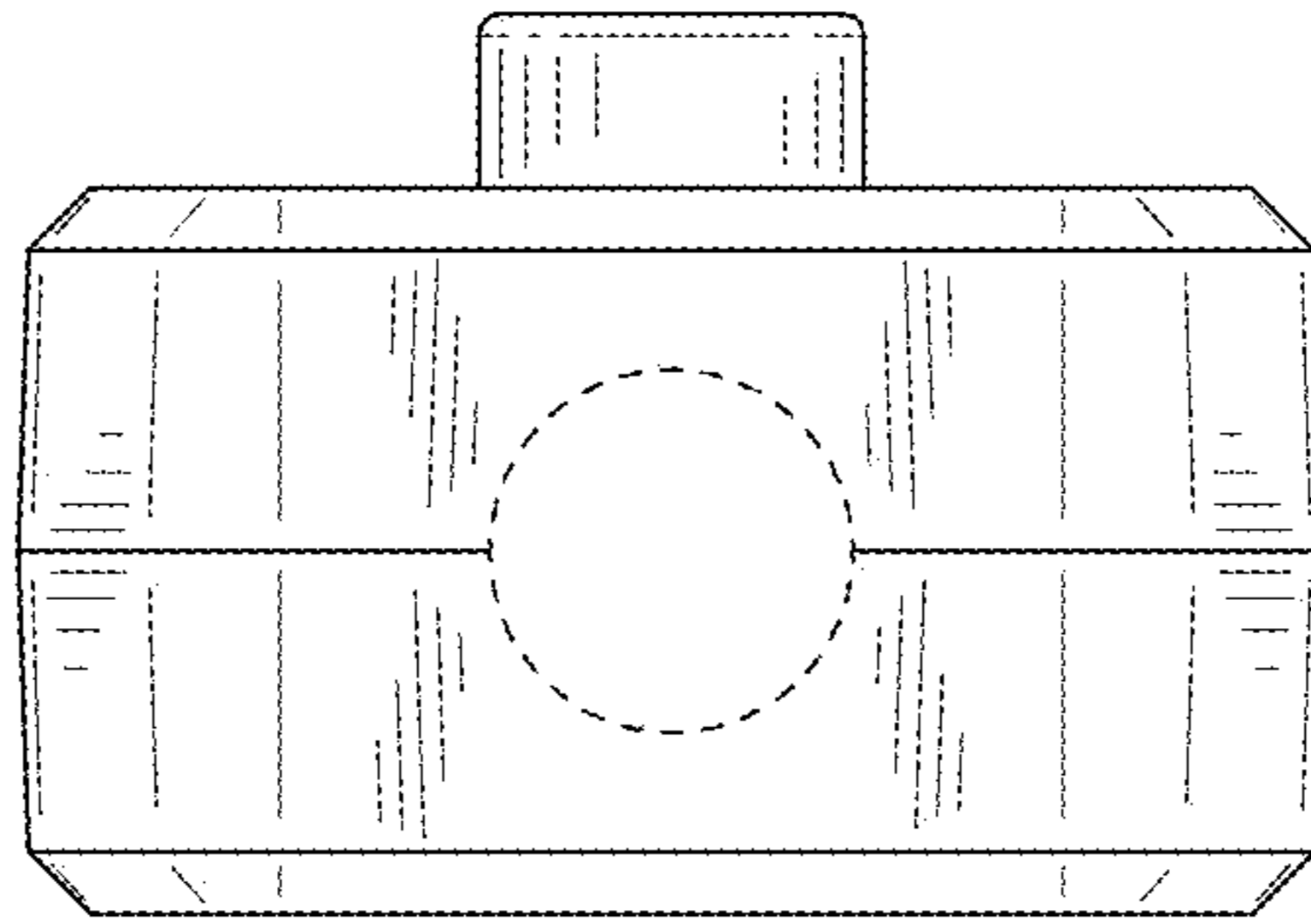


FIG. 4

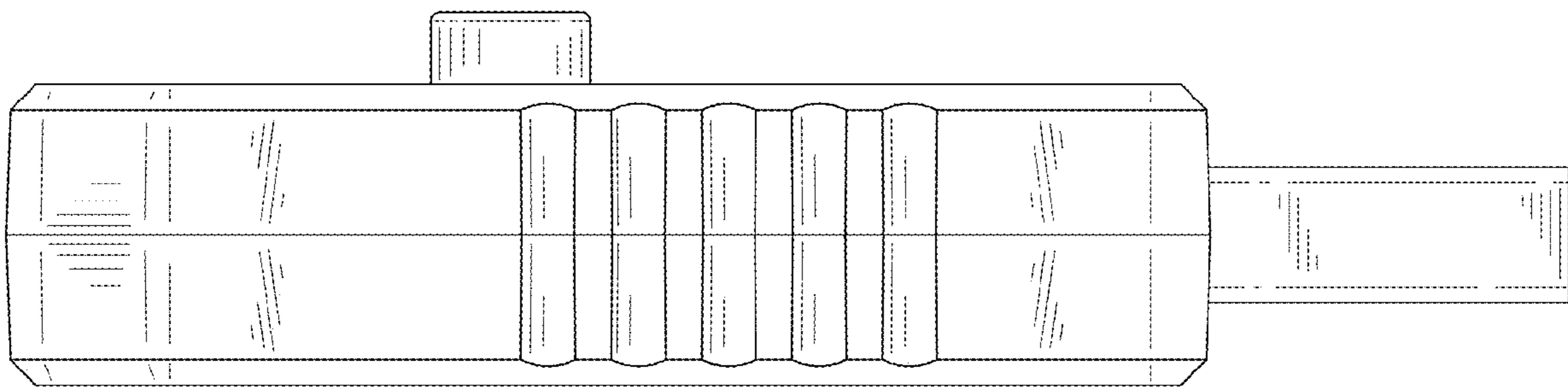


FIG. 5

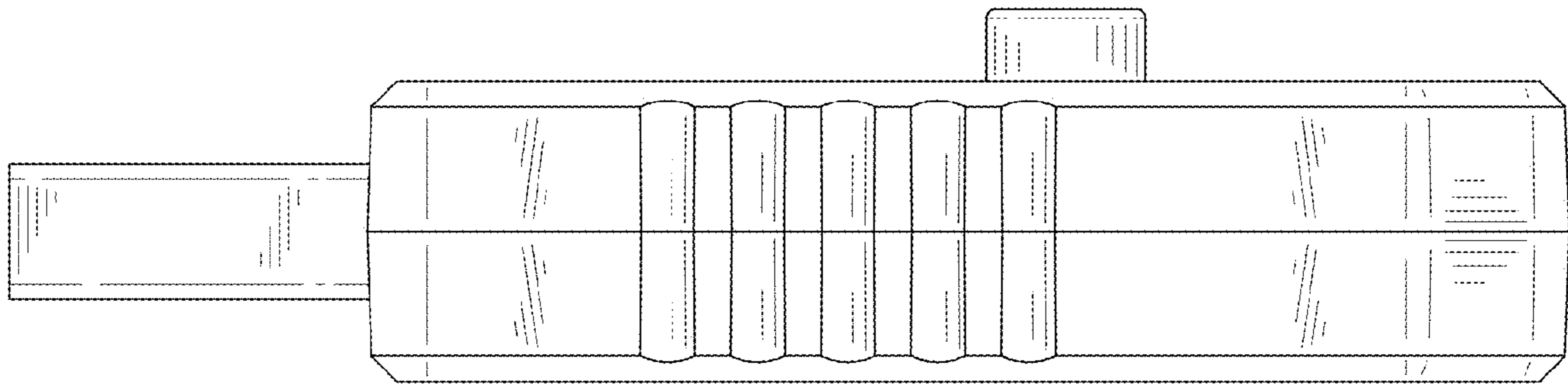


FIG. 6

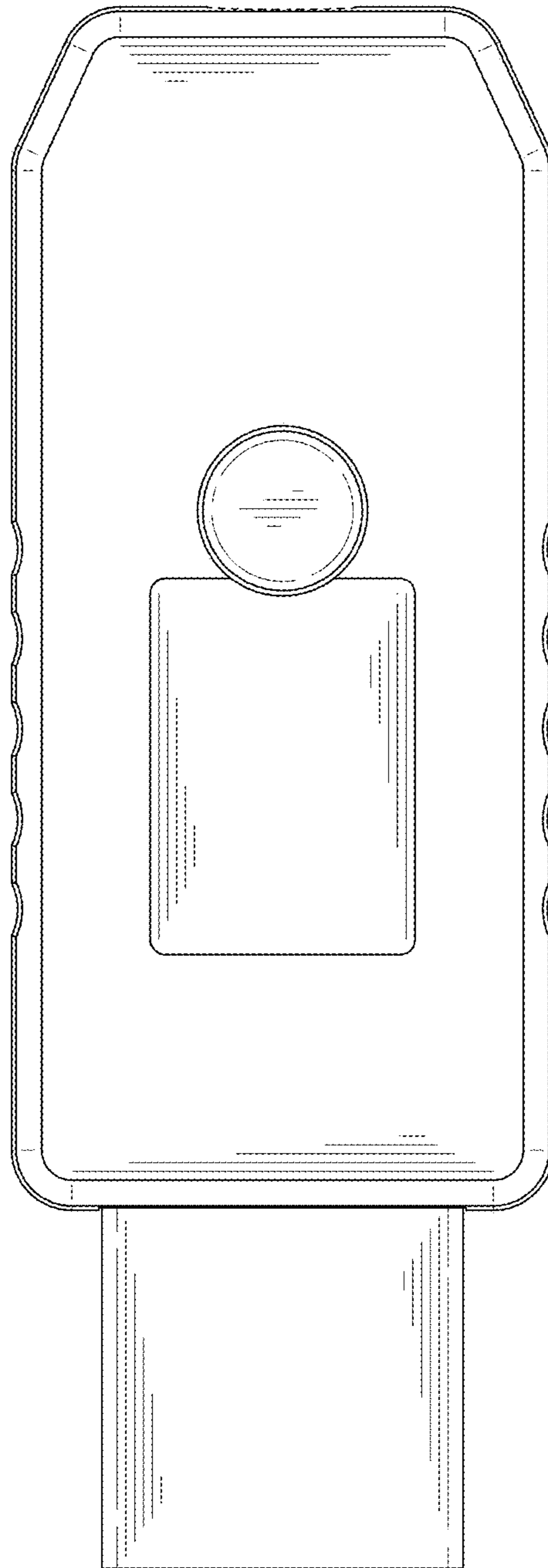


FIG. 7

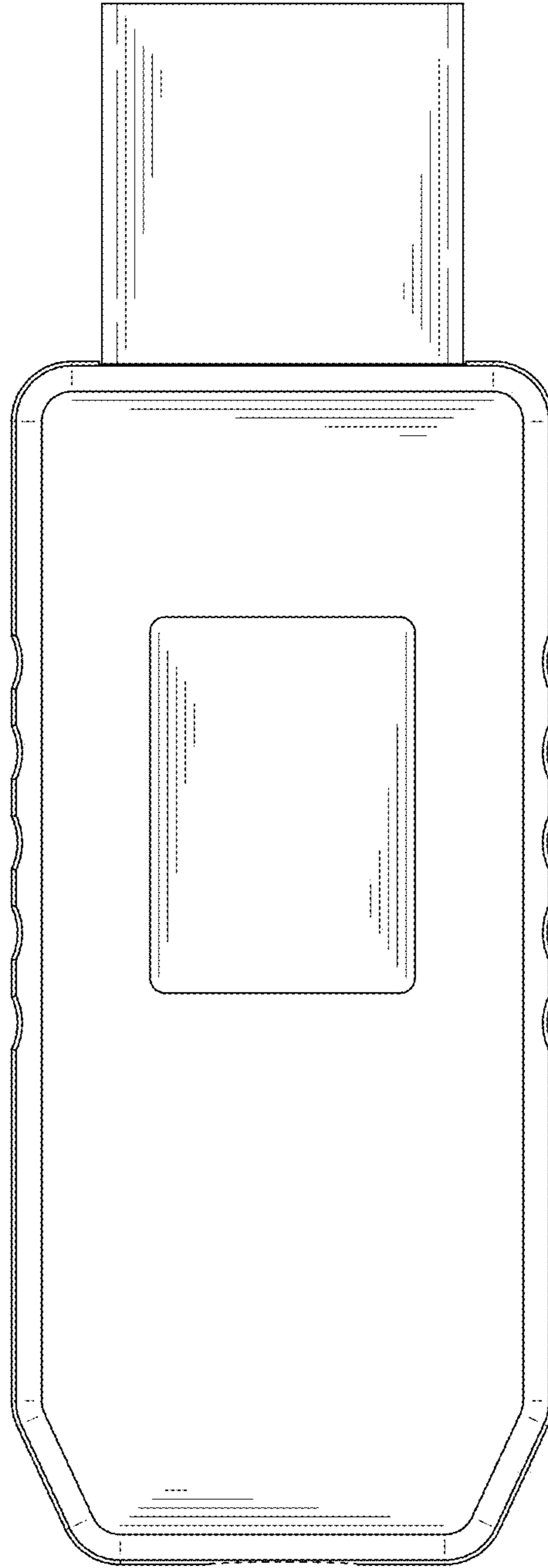


FIG. 8