



US00D917476S

(12) **United States Design Patent**  
**Zhang et al.**

(10) **Patent No.:** **US D917,476 S**  
(45) **Date of Patent:** **\*\* Apr. 27, 2021**

(54) **SMART GLASSES**

(71) Applicant: **GUANGDONG OPPO MOBILE TELECOMMUNICATIONS CORP., LTD.**, Guangdong (CN)

(72) Inventors: **Minghao Zhang**, Guangdong (CN); **Wei Zhou**, Guangdong (CN); **Ke Ran**, Guangdong (CN)

(73) Assignee: **GUANGDONG OPPO MOBILE TELECOMMUNICATIONS CORP., LTD.**, Dongguan (CN)

(\*\*) Term: **15 Years**

(21) Appl. No.: **29/716,352**

(22) Filed: **Dec. 9, 2019**

(30) **Foreign Application Priority Data**

Jun. 18, 2019 (CN) ..... 201930316818.8

(51) **LOC (13) Cl.** ..... **14-02**

(52) **U.S. Cl.**  
USPC ..... **D14/372**

(58) **Field of Classification Search**  
USPC ..... D14/372, 496, 432, 371, 125, 126, 129, D14/299; D16/300-342; 351/158, 153, 351/144; 345/7-9, 905; 455/344; 348/115, 53, 121, 739  
CPC ..... G02B 27/017; G02B 27/0158; G02B 27/0161; G02B 27/0181; G02B 27/0185; G02B 27/0189

See application file for complete search history.

(56) **References Cited**

**U.S. PATENT DOCUMENTS**

D815,092 S \* 4/2018 Liao ..... D14/372  
D852,878 S \* 7/2019 Li ..... D16/309  
D861,680 S 10/2019 Chou et al.  
D870,727 S \* 12/2019 Nie ..... D14/372  
D882,568 S \* 4/2020 Park ..... D14/372

D882,569 S \* 4/2020 Tsao ..... D14/372  
D893,478 S \* 8/2020 Watanabe ..... D14/372  
D896,221 S \* 9/2020 Lee ..... D14/372  
D896,223 S \* 9/2020 Amijo ..... D14/372  
D900,099 S \* 10/2020 Park ..... D14/372

**OTHER PUBLICATIONS**

NOA issued in corresponding U.S. Appl. No. 29716354 dated Jan. 8, 2021.

\* cited by examiner

*Primary Examiner* — Austin Murphy

(57) **CLAIM**

The ornamental design for a smart glasses, as shown and described.

**DESCRIPTION**

FIG. 1 is a front perspective view of a smart glasses showing our new design.

FIG. 2 is a rear perspective view of the smart glasses of FIG. 1.

FIG. 3 is a front view of the smart glasses of FIG. 1.

FIG. 4 is a rear view of the smart glasses of FIG. 1.

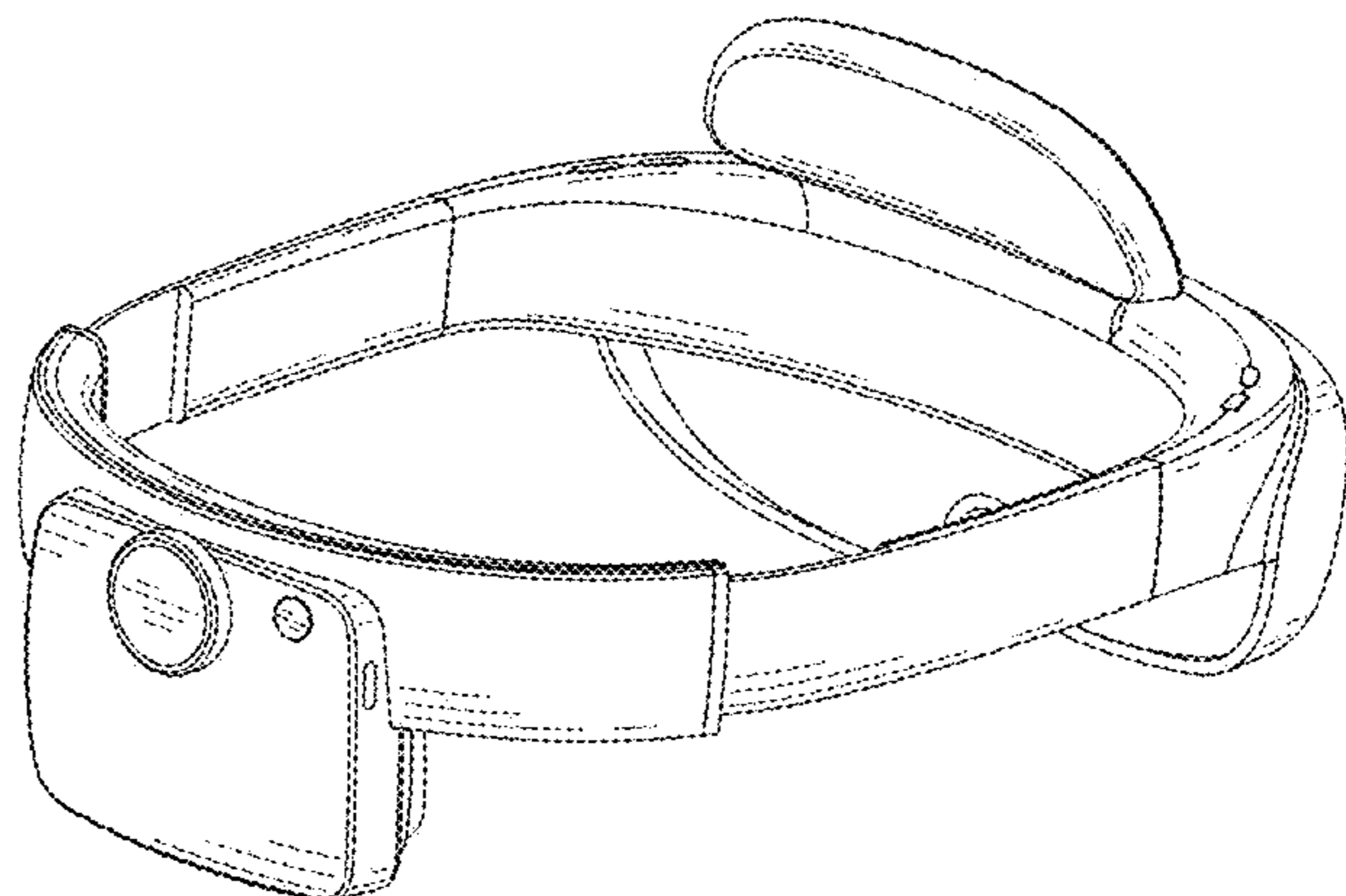
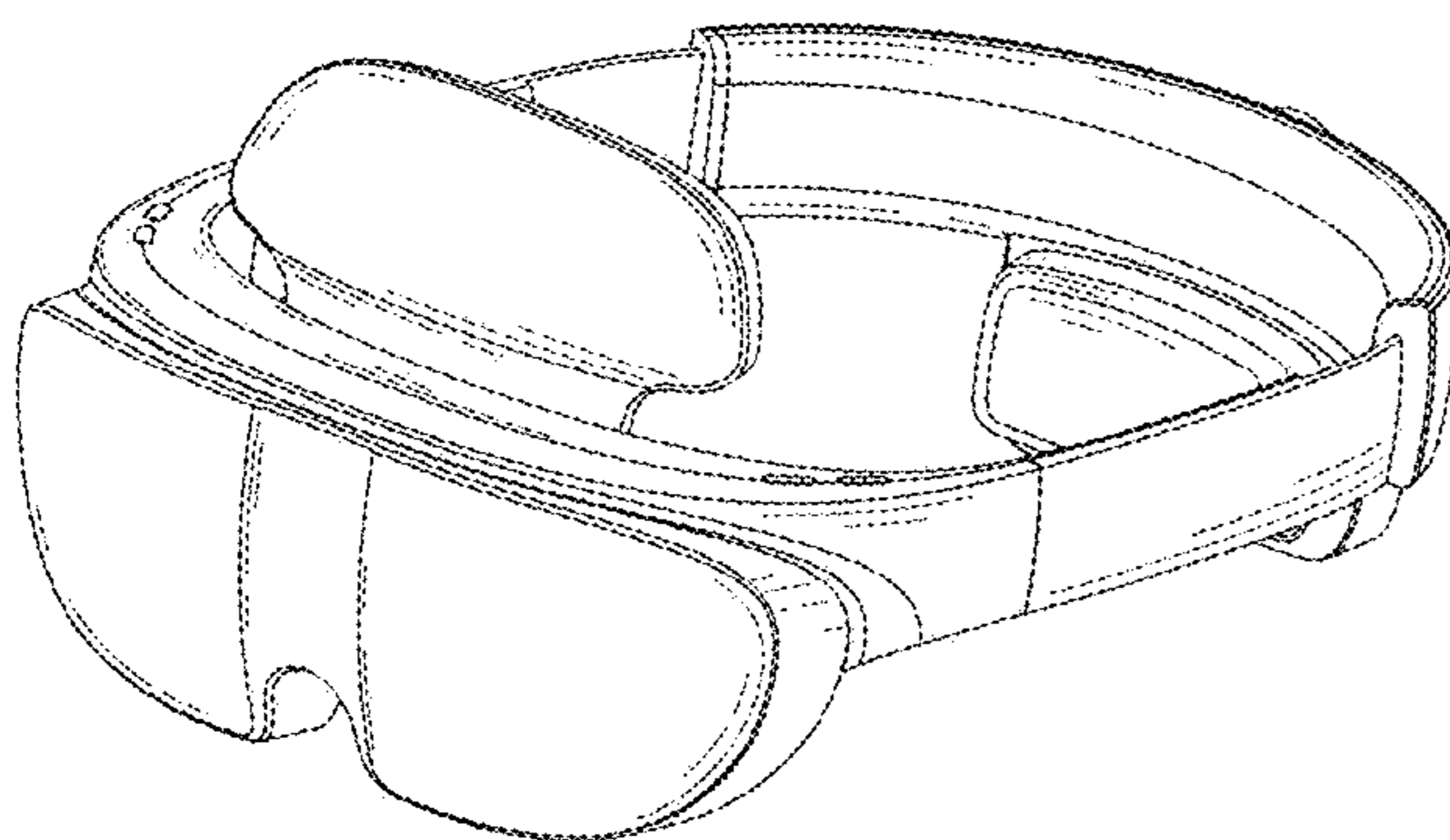
FIG. 5 is a left side view of the smart glasses of FIG. 1.

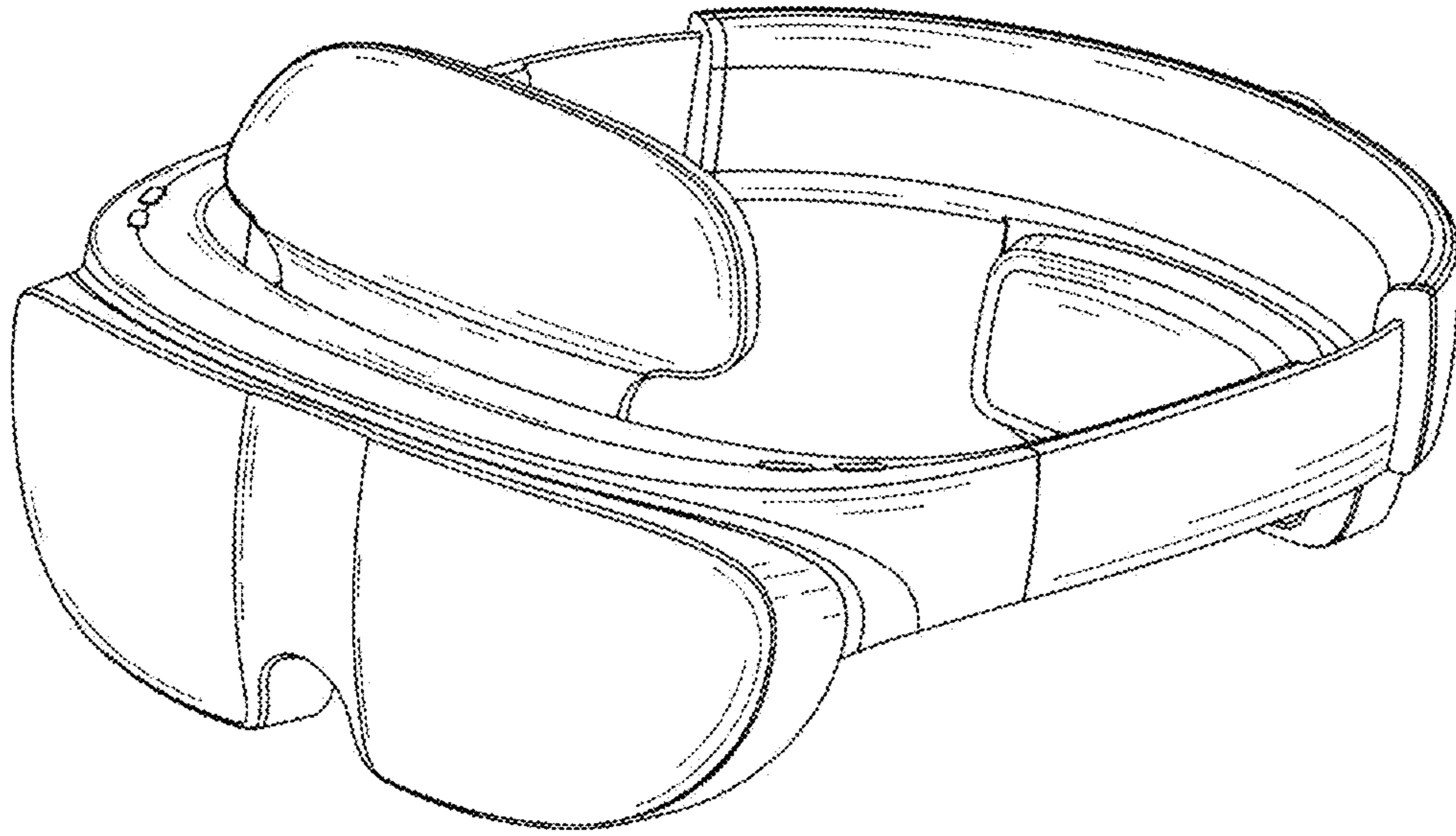
FIG. 6 is a right side view of the smart glasses of FIG. 1.

FIG. 7 is a top view of the smart glasses of FIG. 1; and,

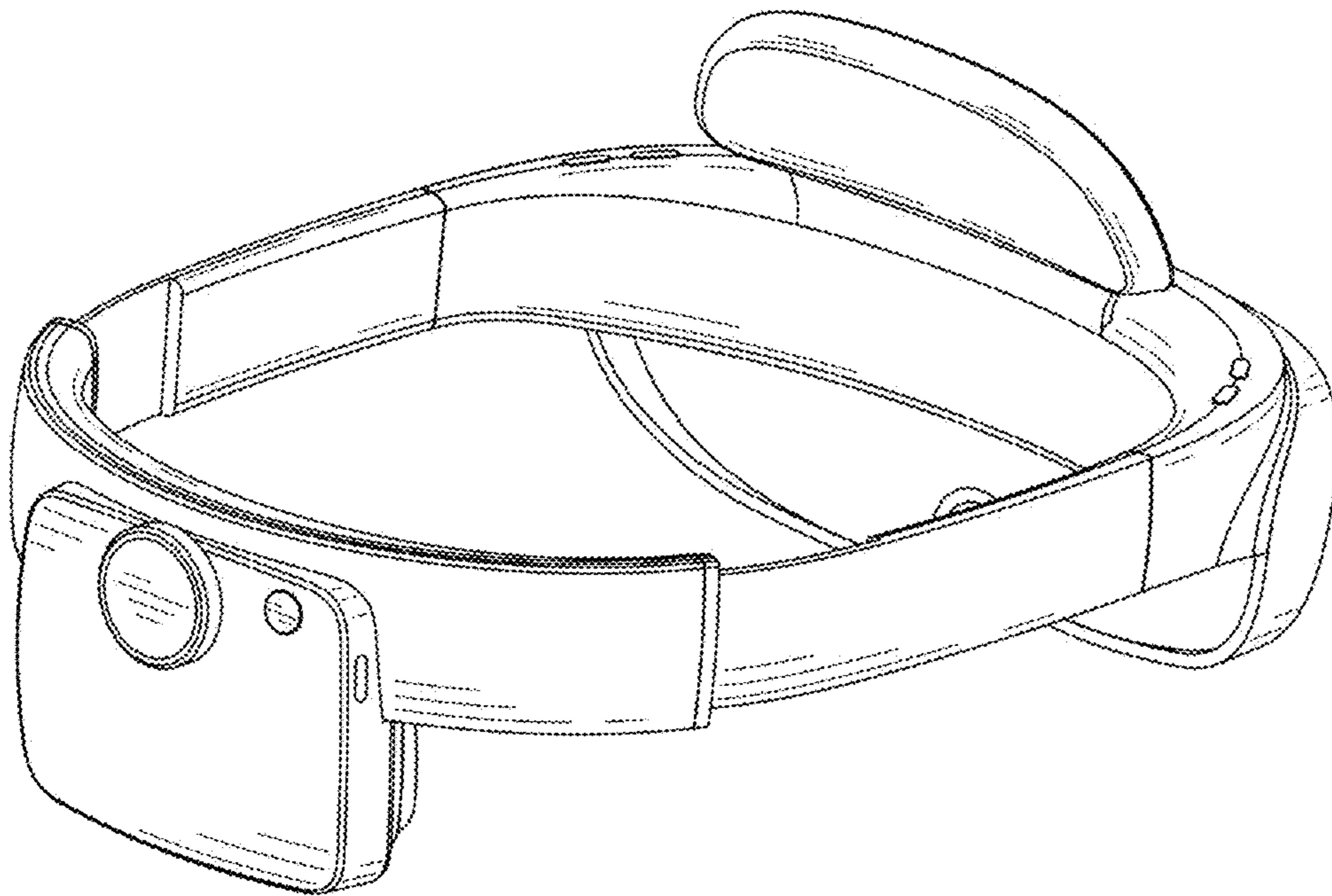
FIG. 8 is a bottom view of the smart glasses of FIG. 1.

**1 Claim, 5 Drawing Sheets**

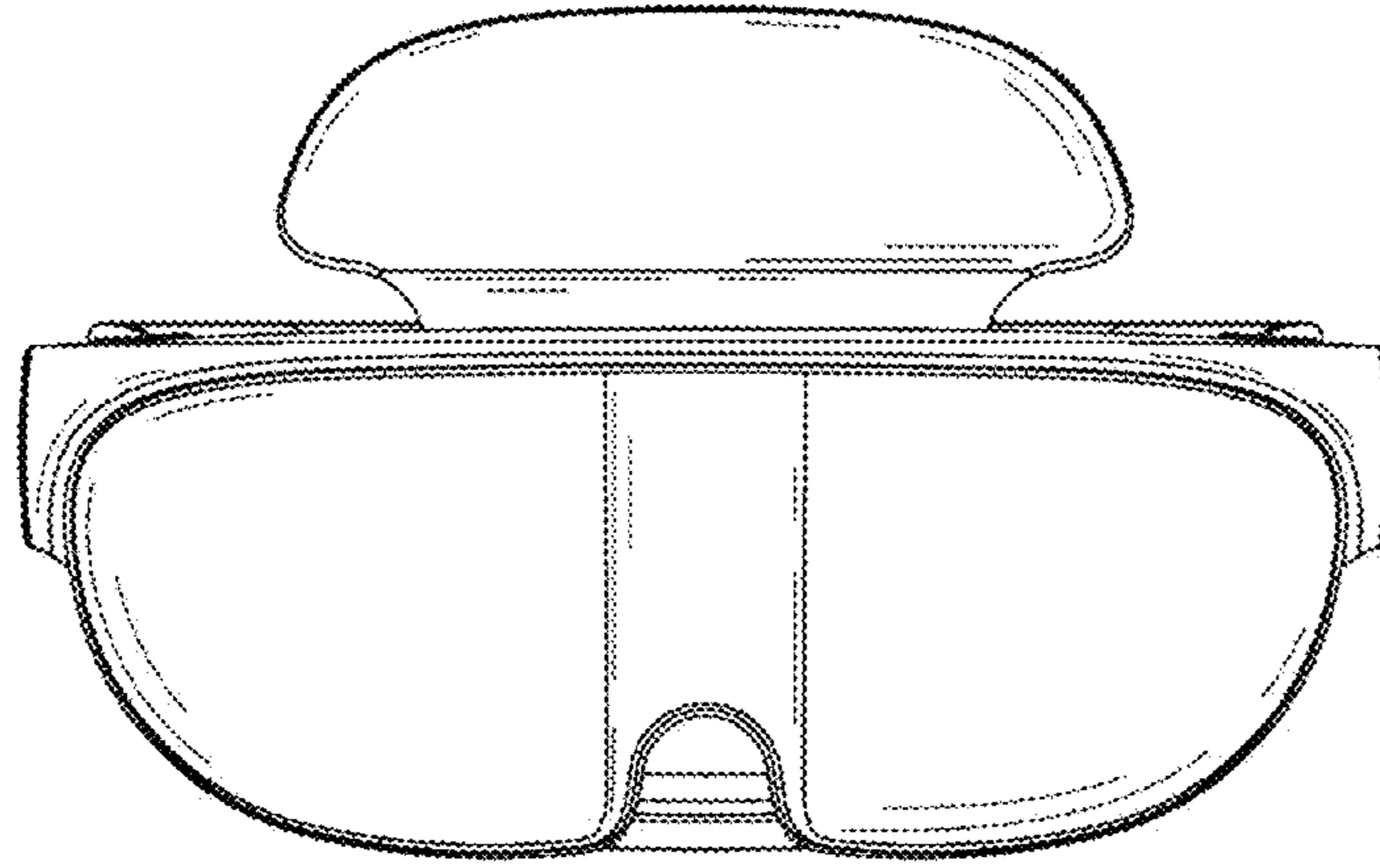




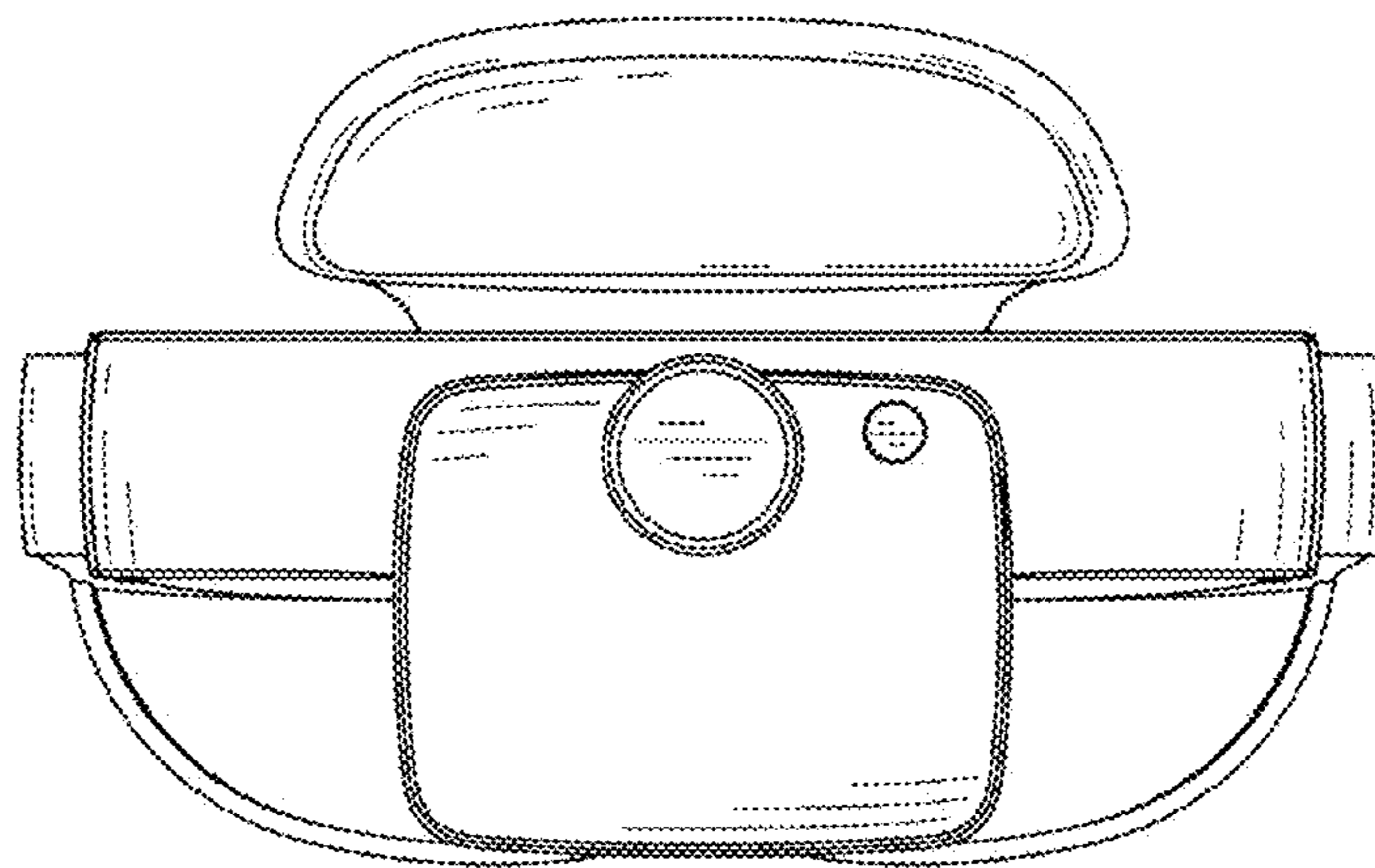
**FIG. 1**



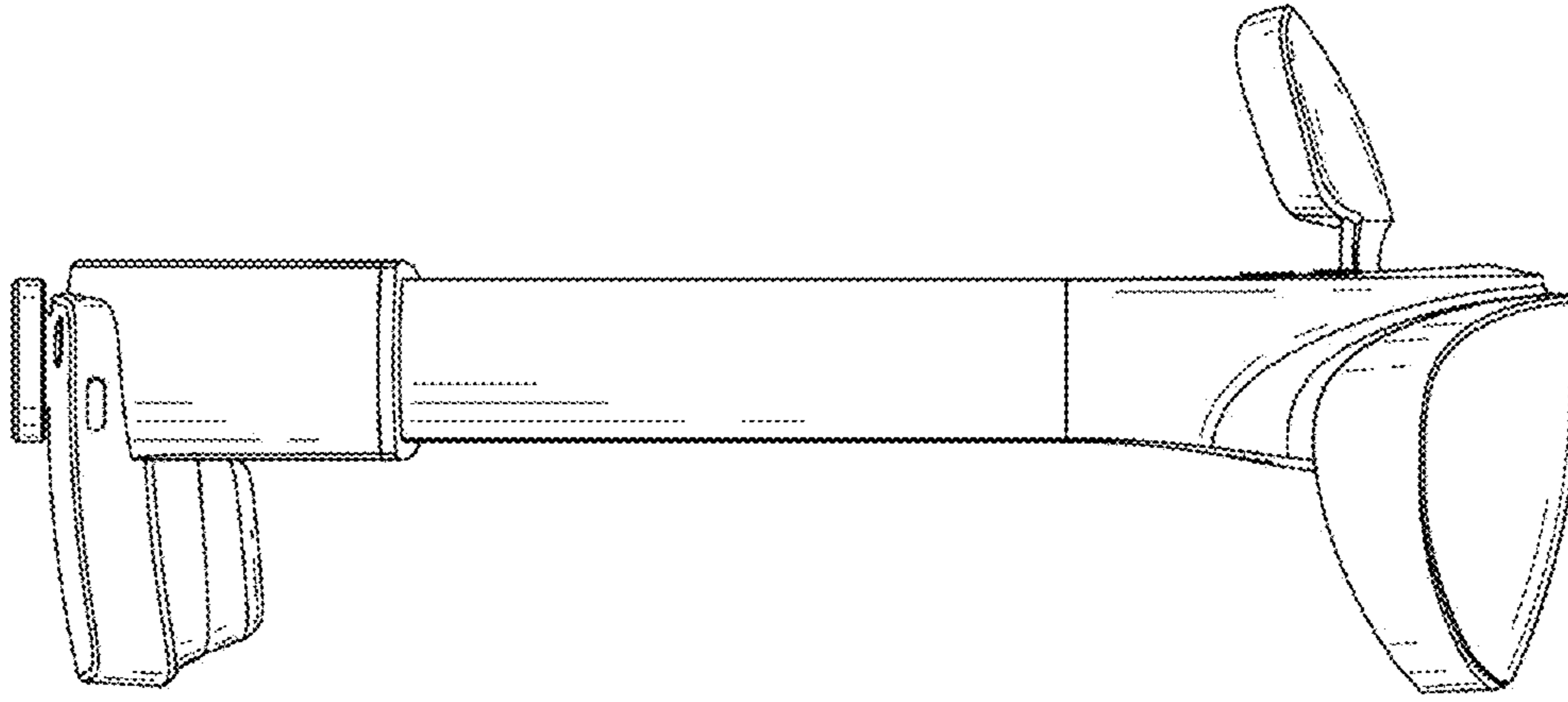
**FIG. 2**



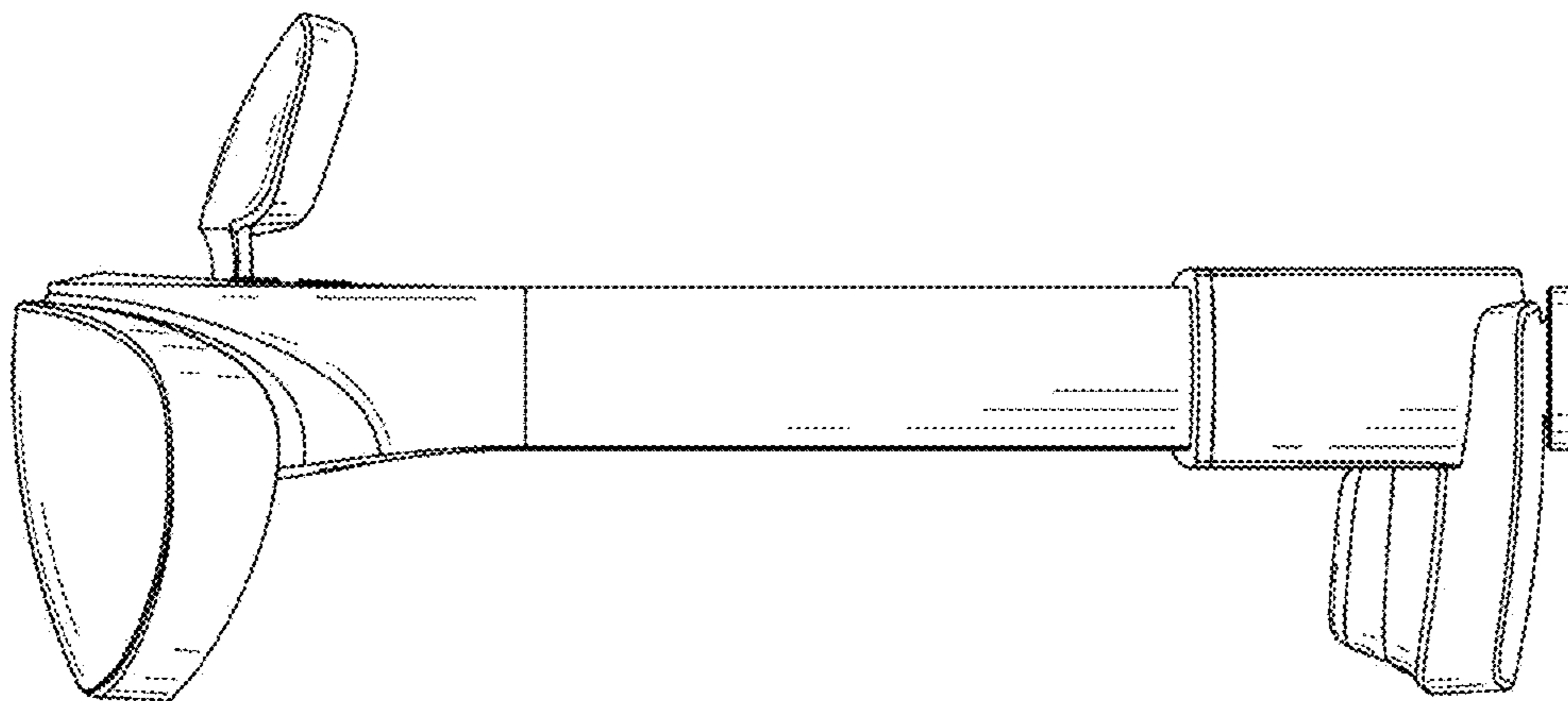
**FIG. 3**



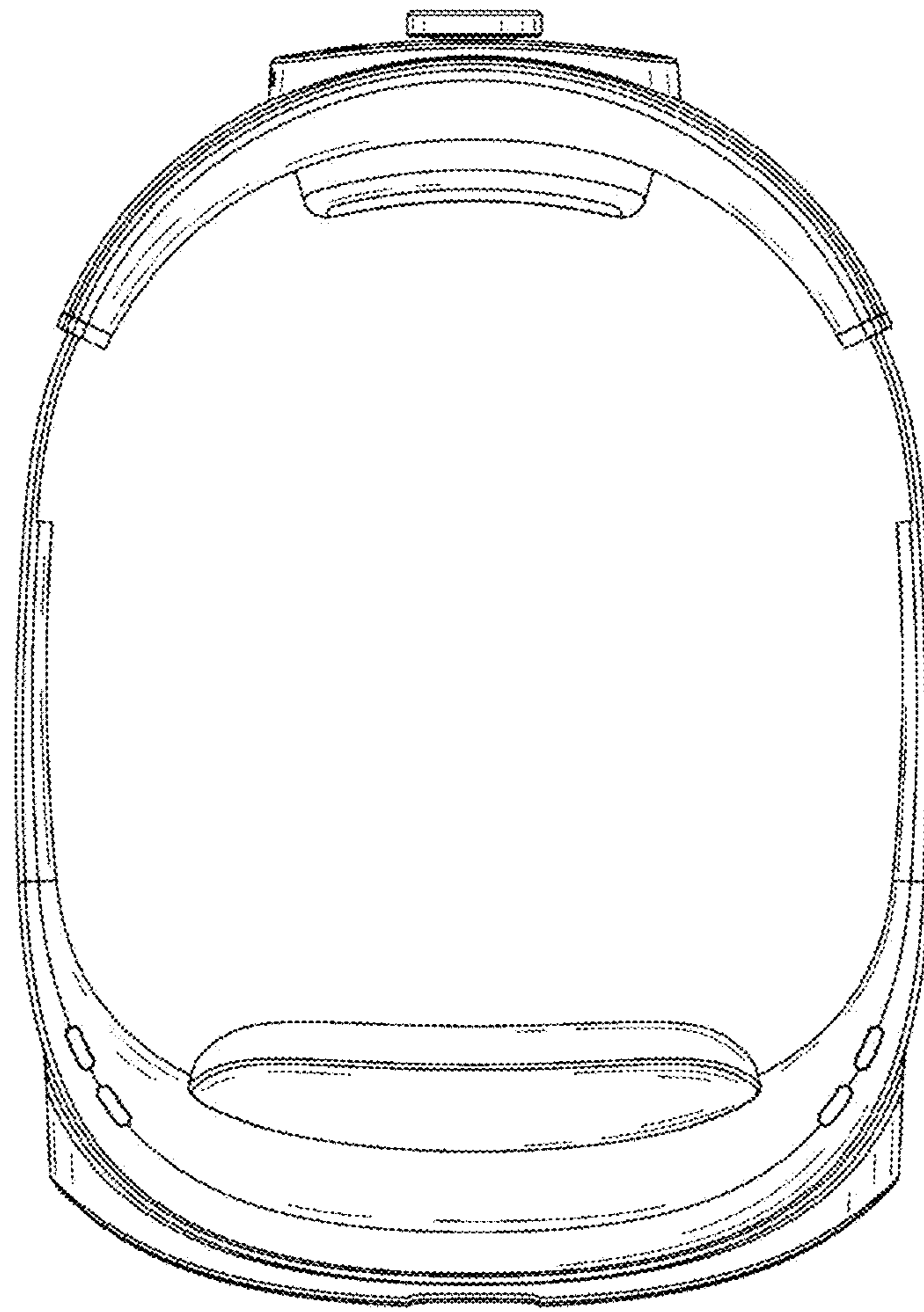
**FIG. 4**



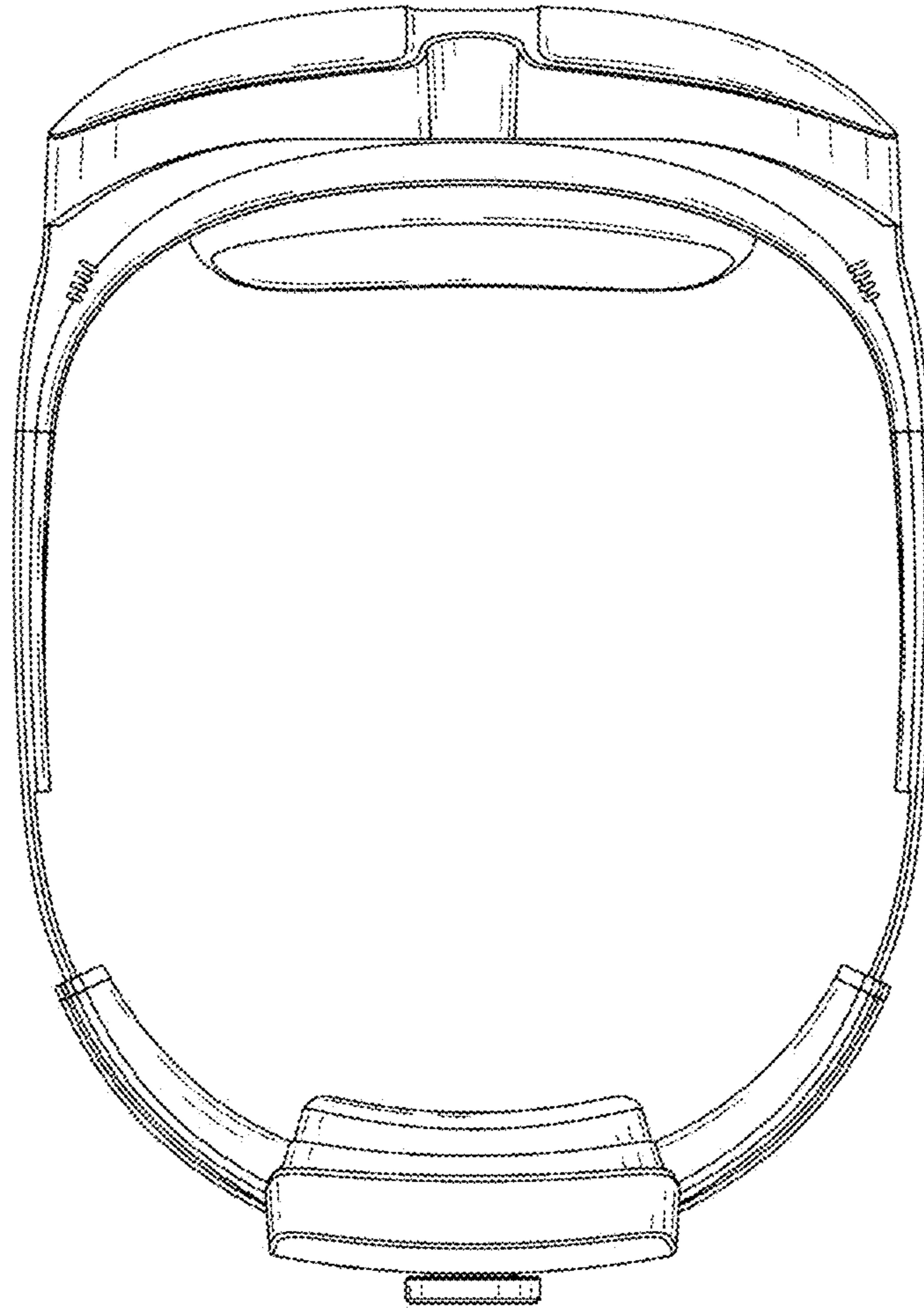
**FIG. 5**



**FIG. 6**



**FIG. 7**



**FIG. 8**