



US00D917475S

(12) **United States Design Patent**
Tsao

(10) **Patent No.:** **US D917,475 S**

(45) **Date of Patent:** **** Apr. 27, 2021**

(54) **HEADMOUNT DISPLAY**

(71) Applicant: **Acer Incorporated**, New Taipei (TW)

(72) Inventor: **Jung-Wei Tsao**, New Taipei (TW)

(73) Assignee: **Acer Incorporated**, New Taipei (TW)

(**) Term: **15 Years**

(21) Appl. No.: **29/708,437**

(22) Filed: **Oct. 7, 2019**

(30) **Foreign Application Priority Data**

Jul. 2, 2019 (TW) 108303947

(51) **LOC (13) Cl.** **14-02**

(52) **U.S. Cl.**
USPC **D14/372**

(58) **Field of Classification Search**
USPC D14/372, 496, 432, 371, 125, 126, 129,
D14/299; D16/300-342; 351/158, 153,
351/144; 345/7-9, 905; 455/344;
348/115, 53, 121, 739
CPC G02B 27/017; G02B 27/0158; G02B
27/0161; G02B 27/0181; G02B 27/0185;
G02B 27/0189

See application file for complete search history.

(56) **References Cited**

U.S. PATENT DOCUMENTS

D799,481 S * 10/2017 Kim D14/372
D815,092 S * 4/2018 Liao D14/372

D830,341 S * 10/2018 Yokozeki D14/210
D861,683 S * 10/2019 Chou D14/372
D870,727 S * 12/2019 Nie D14/372
D881,879 S * 4/2020 Keller D14/372

* cited by examiner

Primary Examiner — Austin Murphy

(74) *Attorney, Agent, or Firm* — JCIPRNET

(57) **CLAIM**

The ornamental design for a headmount display, as shown and described.

DESCRIPTION

FIG. 1 is a perspective view of a headmount display showing my new design;

FIG. 2 is another perspective view thereof;

FIG. 3 is a front view thereof;

FIG. 4 is a rear view thereof;

FIG. 5 is a left side view thereof;

FIG. 6 is a top view thereof;

FIG. 7 is a bottom view thereof;

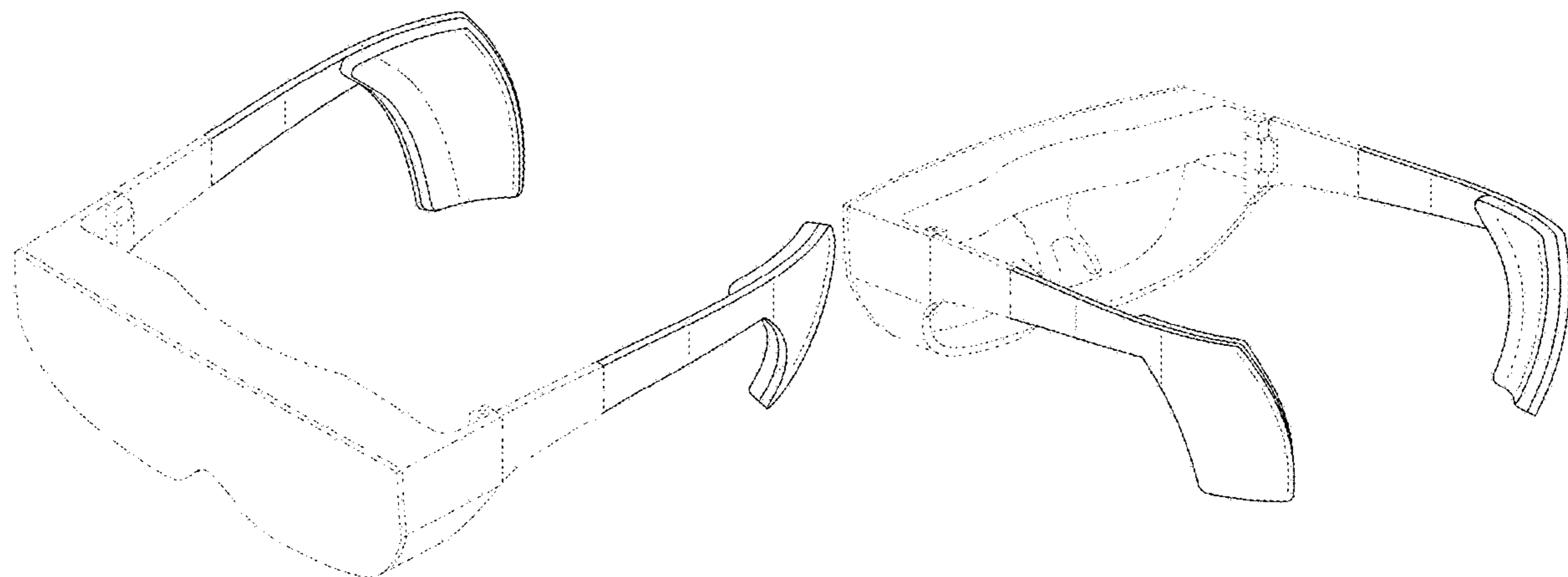
FIG. 8 is a perspective view of an user wearing the headmount display;

FIG. 9 is a side view of the user wearing the headmount display; and,

FIG. 10 is a rear view of the user wearing the headmount display.

The broken line portions of the headmount display in FIGS. 1-10 represent unclaimed portions of the claimed design and form no part thereof.

1 Claim, 9 Drawing Sheets



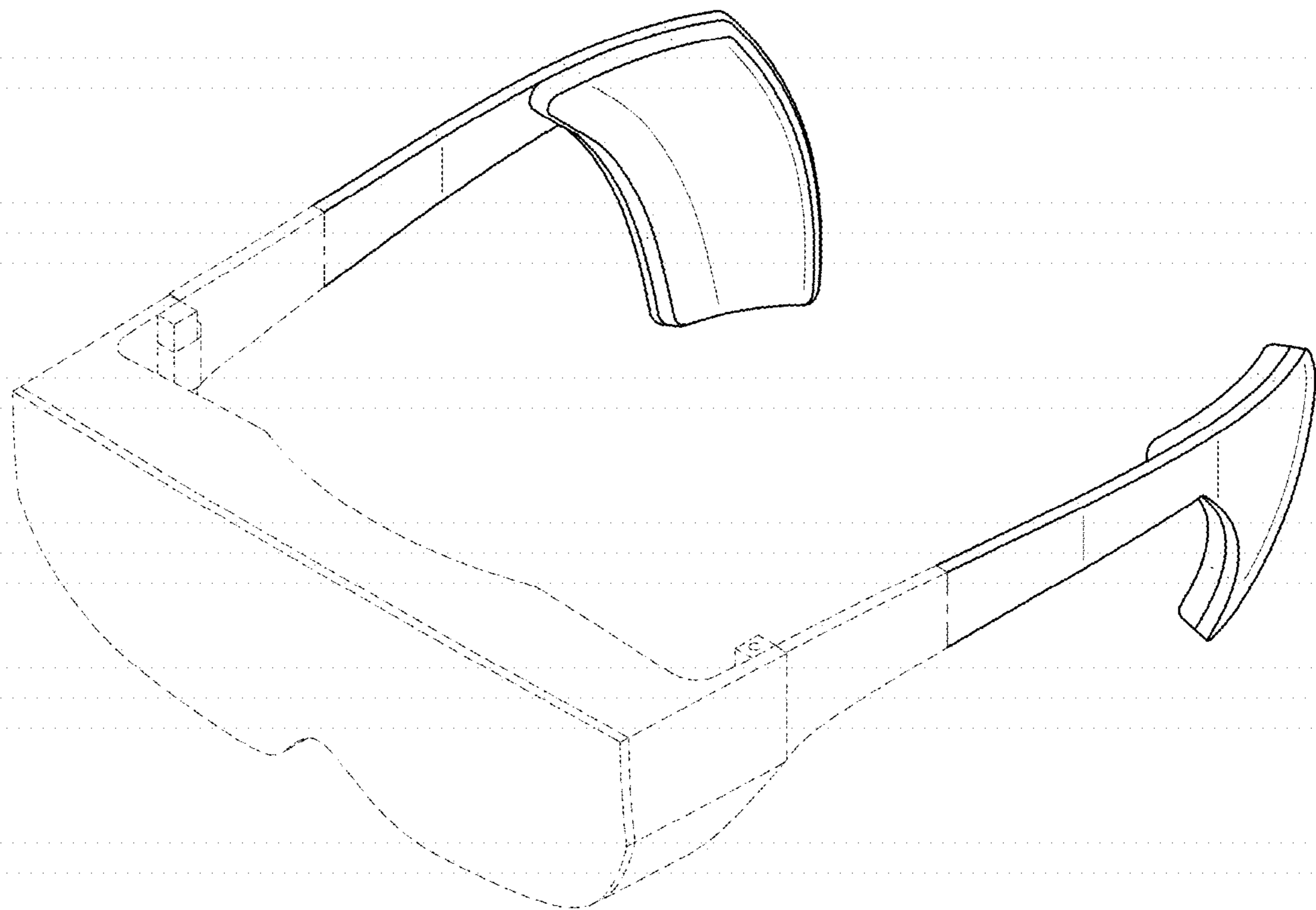


FIG. 1

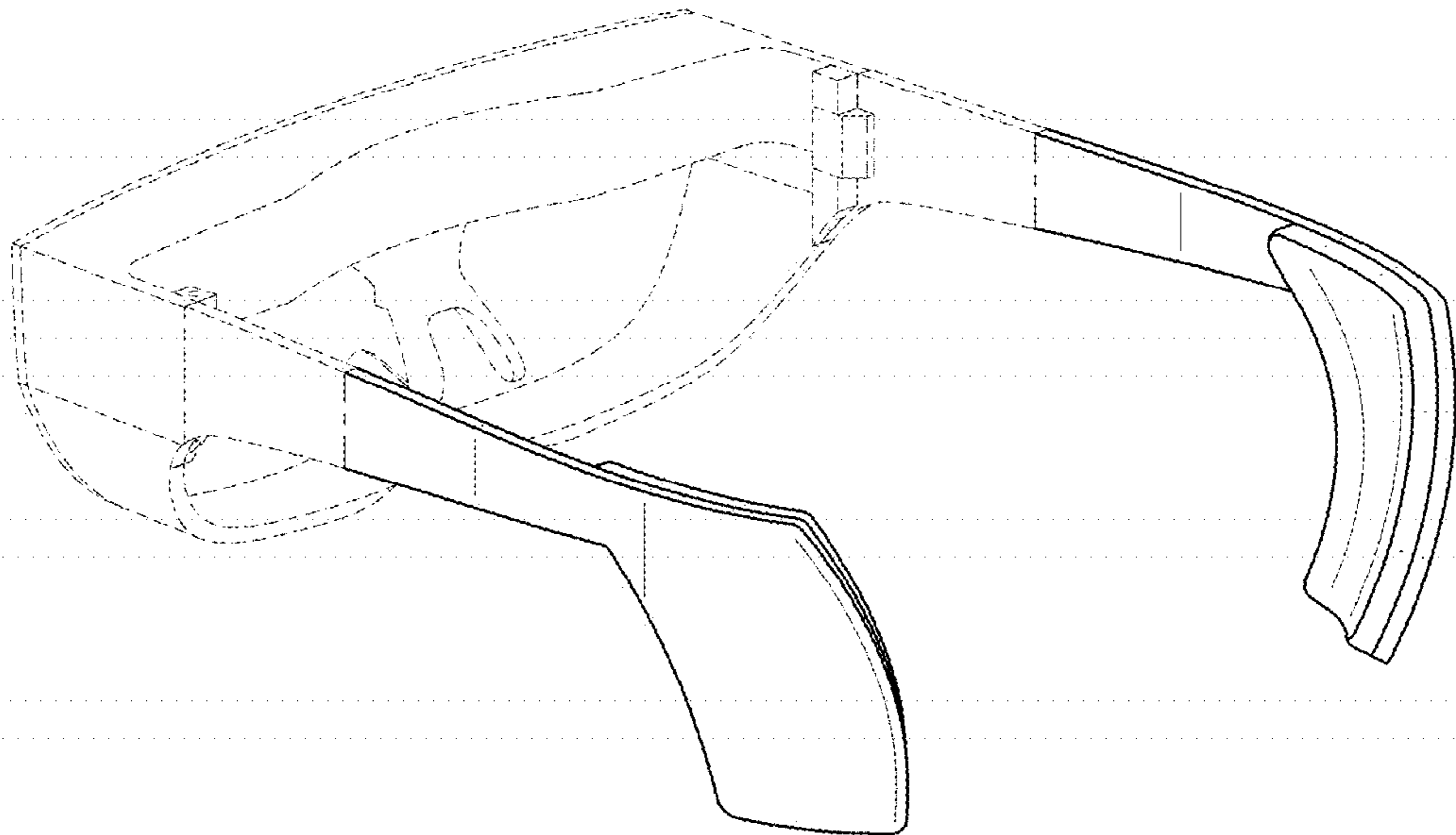


FIG. 2

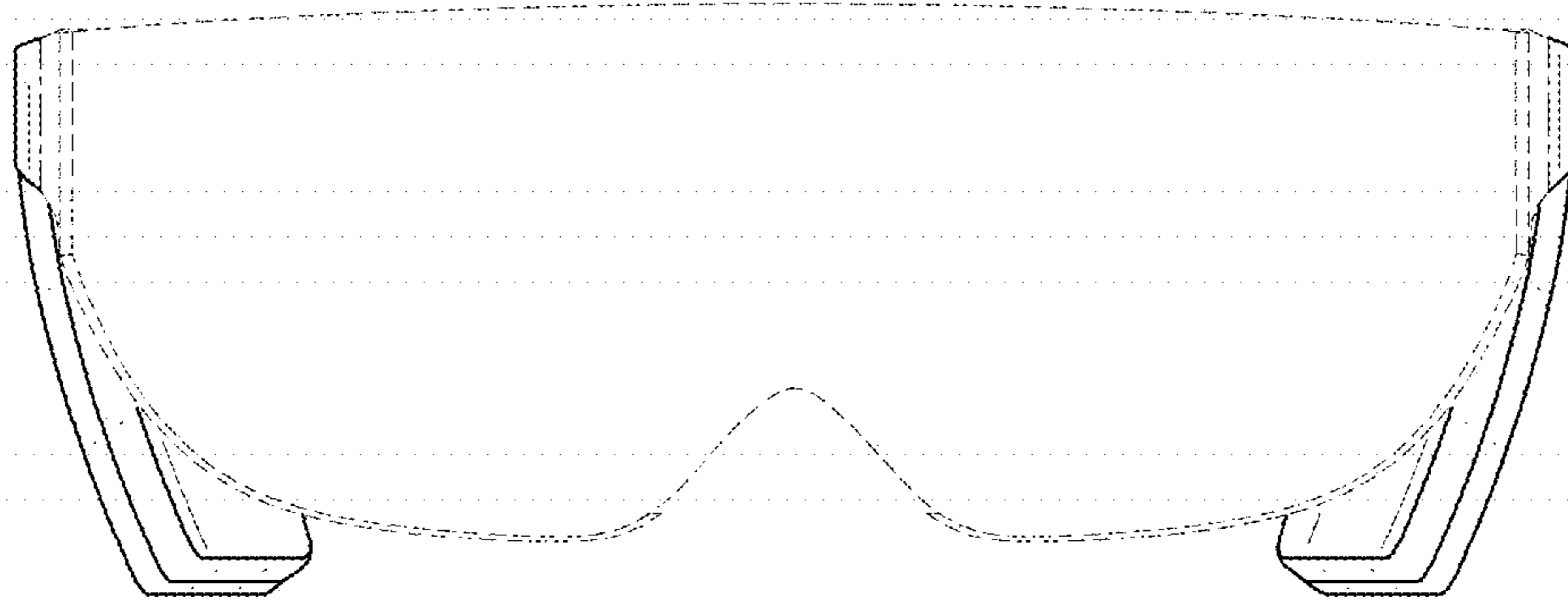


FIG. 3

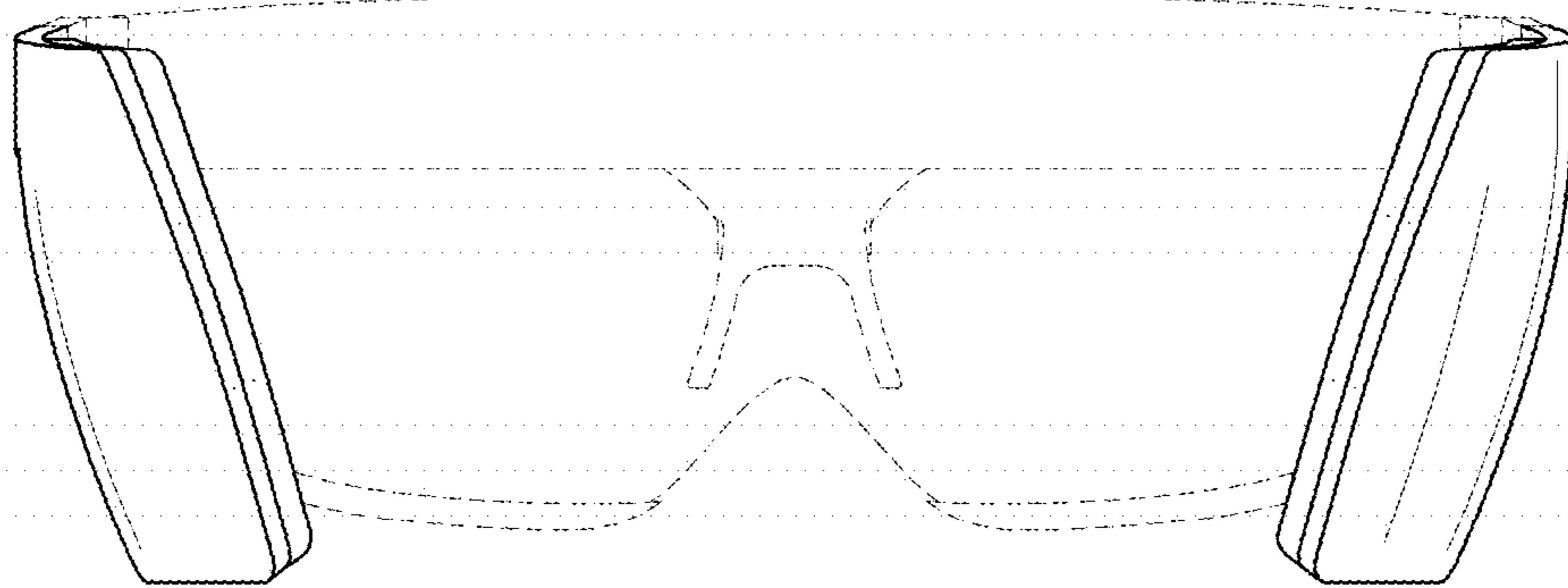


FIG. 4

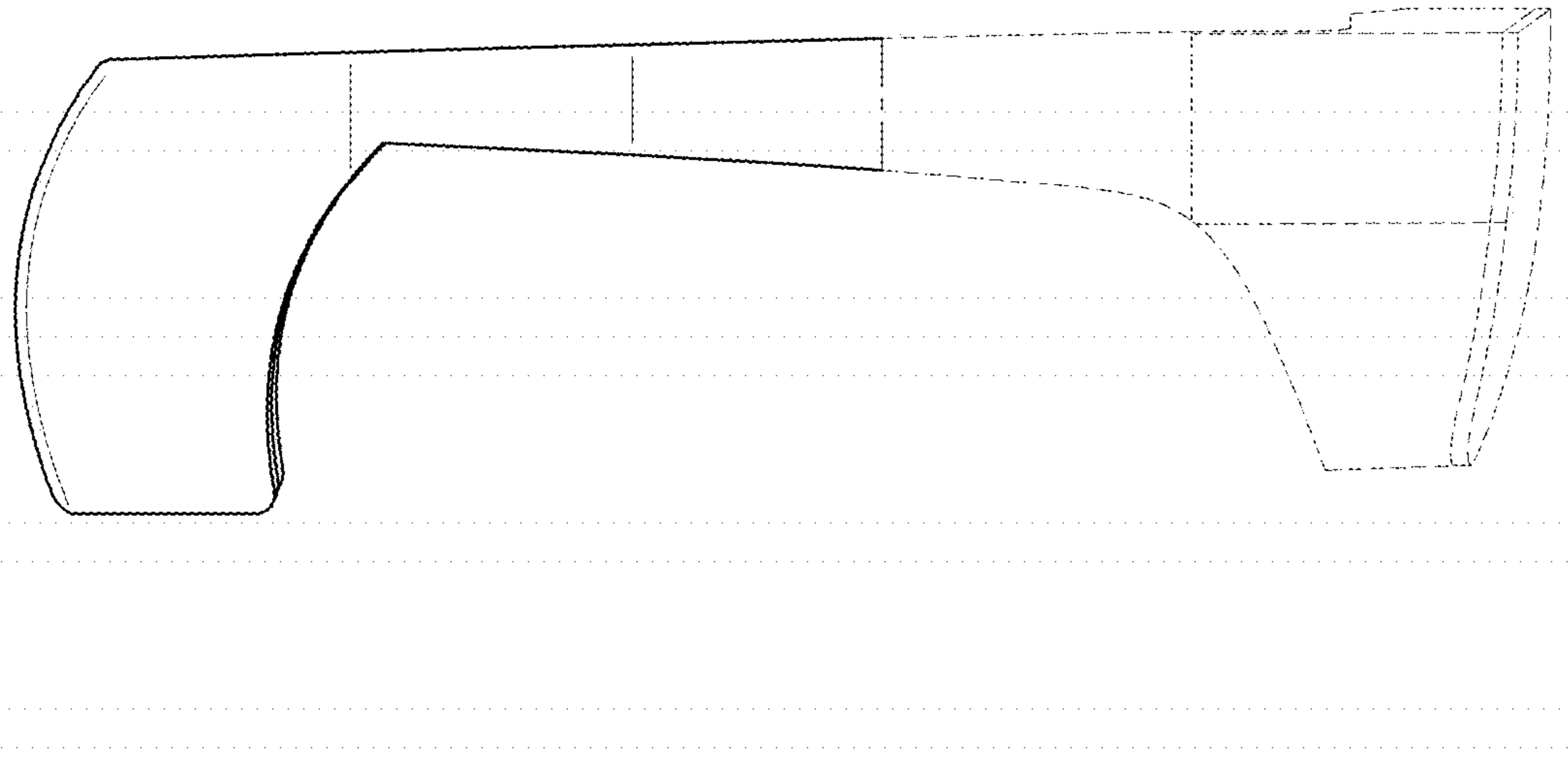


FIG. 5

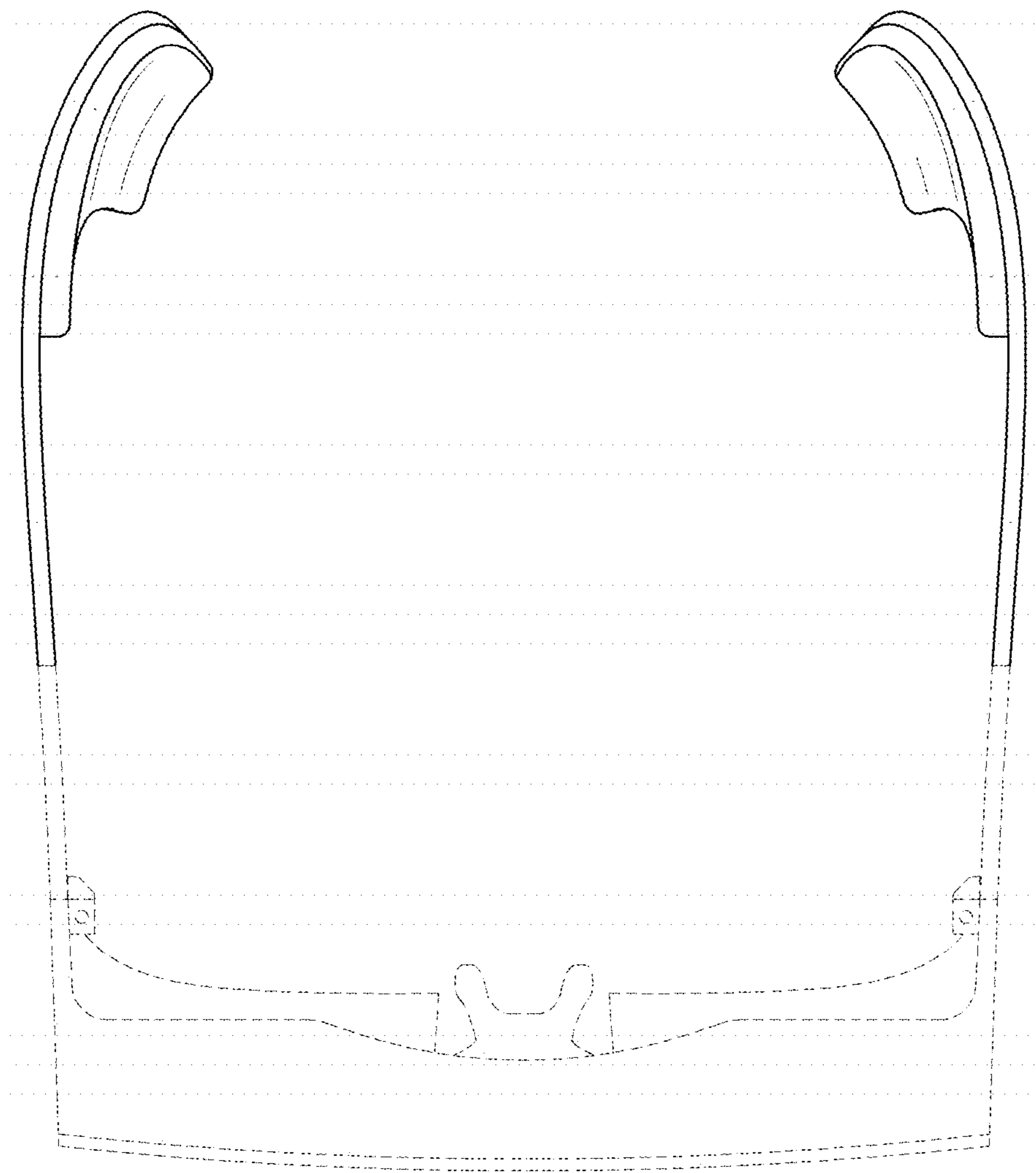


FIG. 6

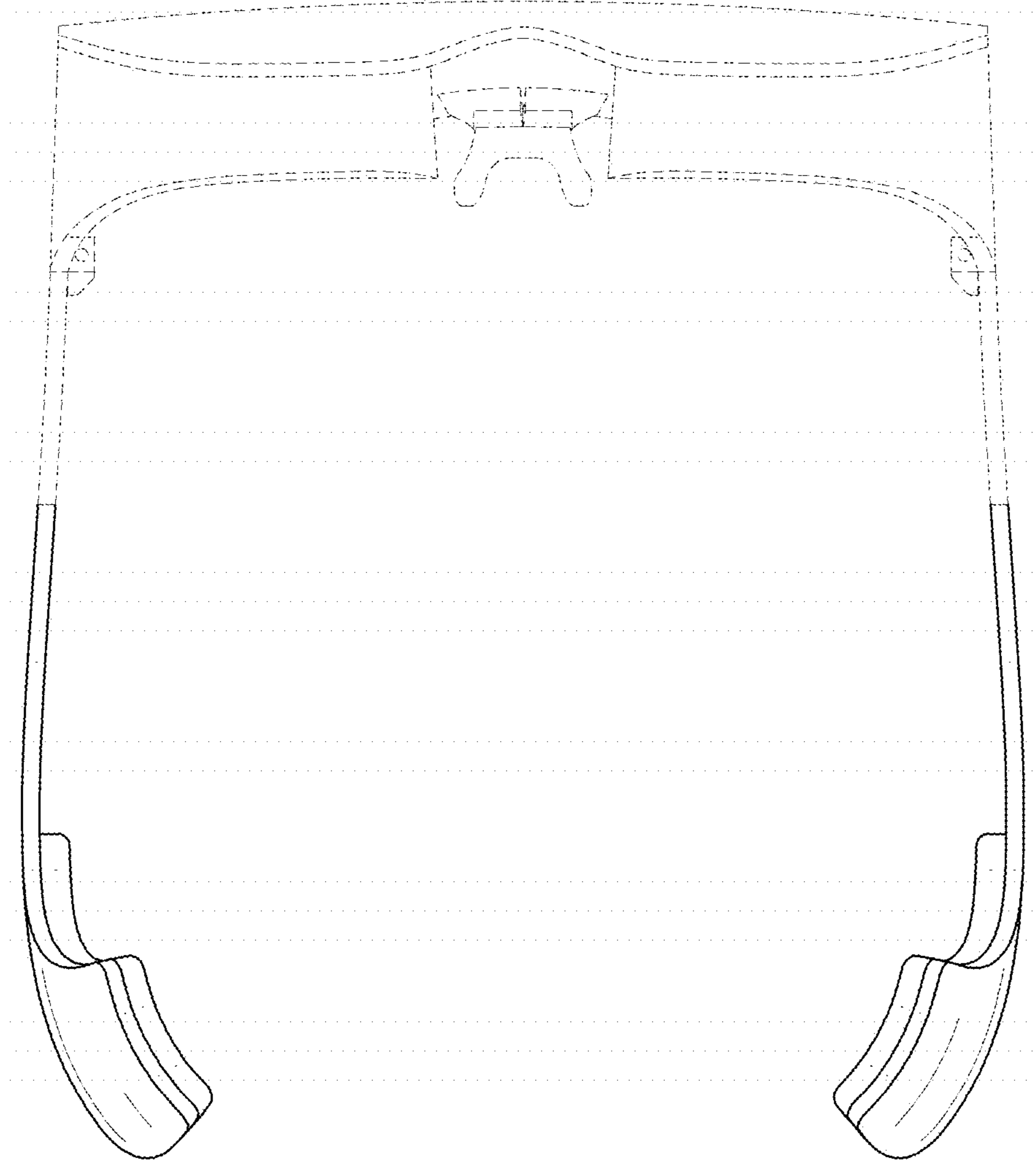


FIG. 7

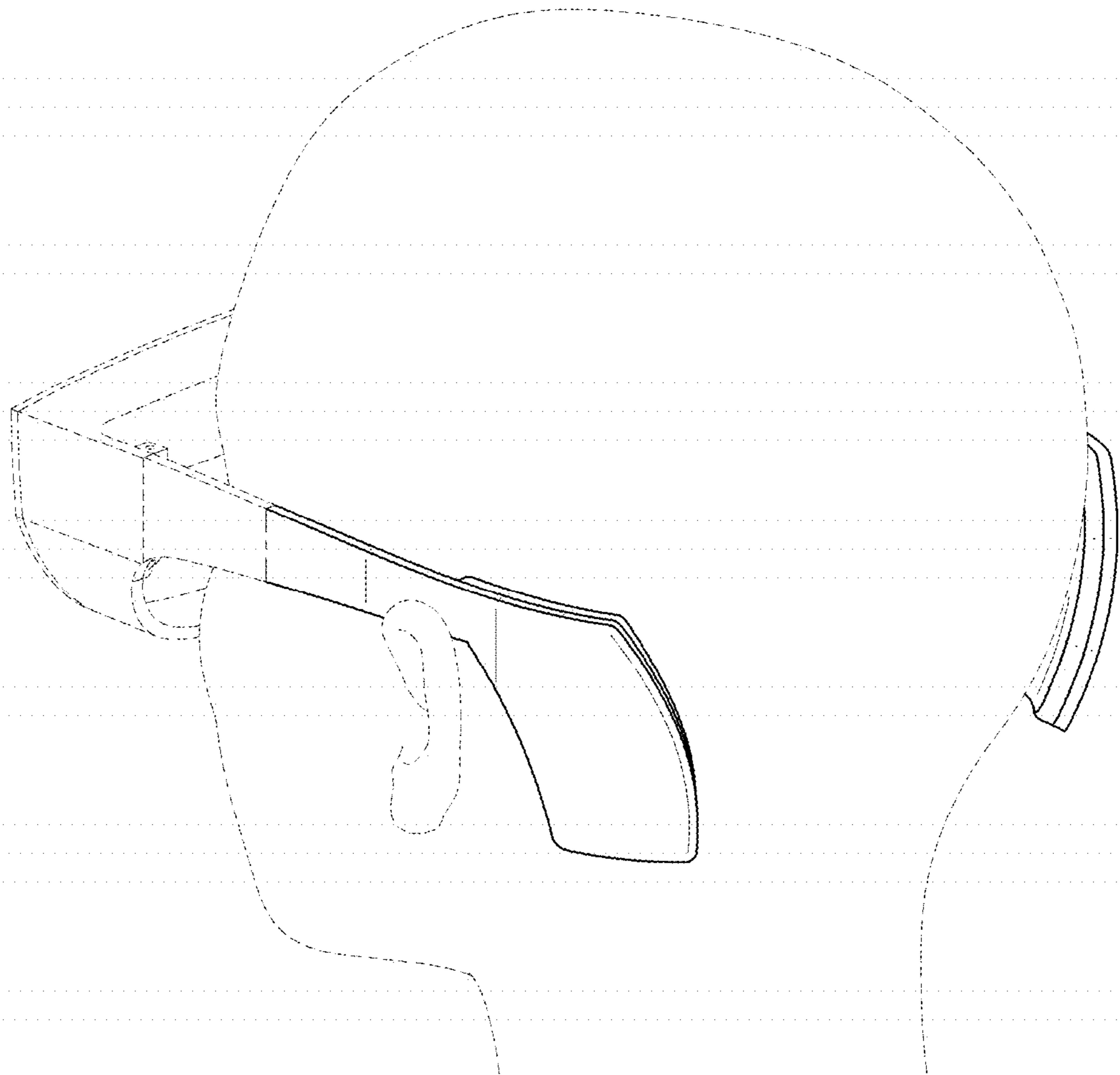


FIG. 8

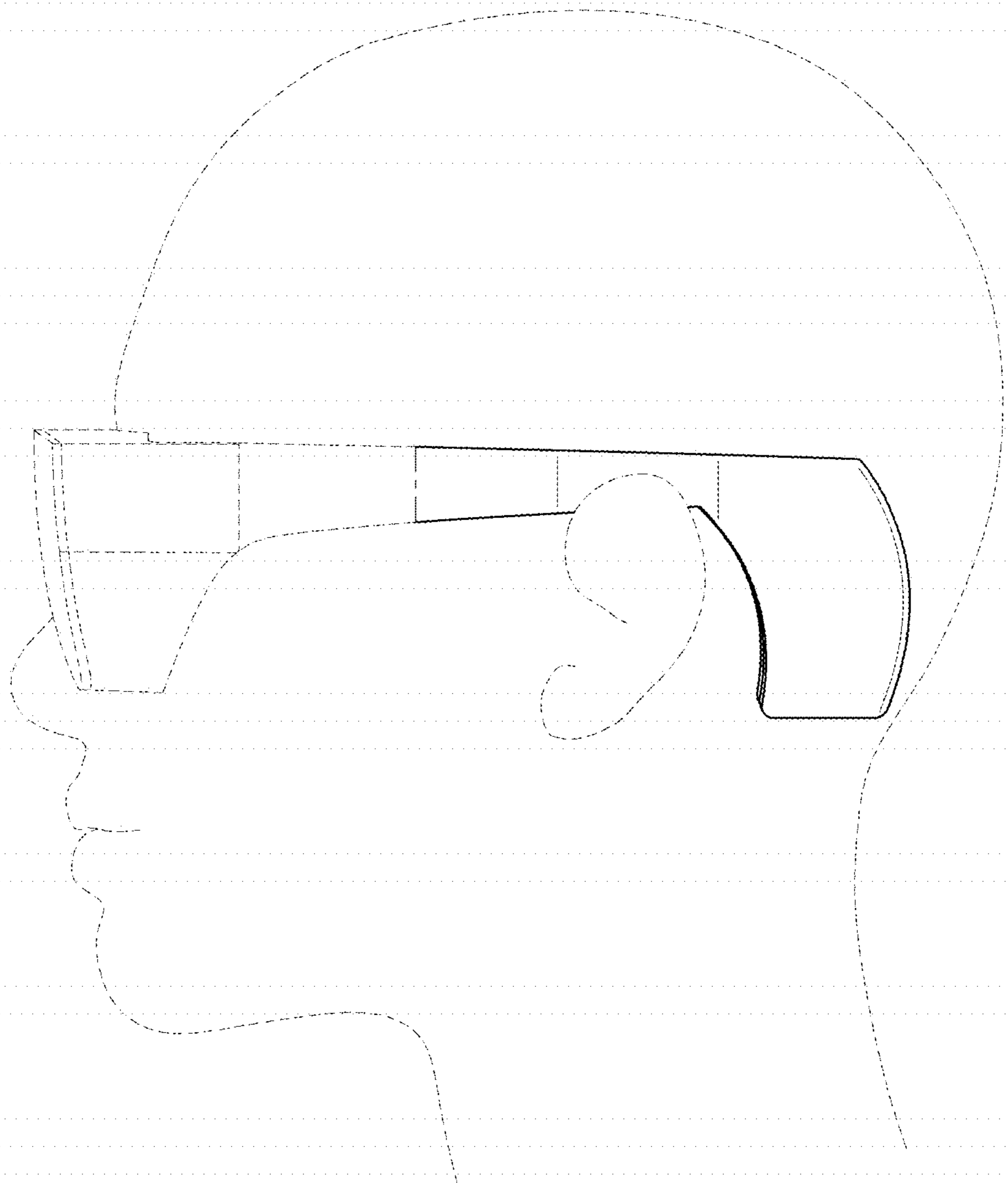


FIG. 9

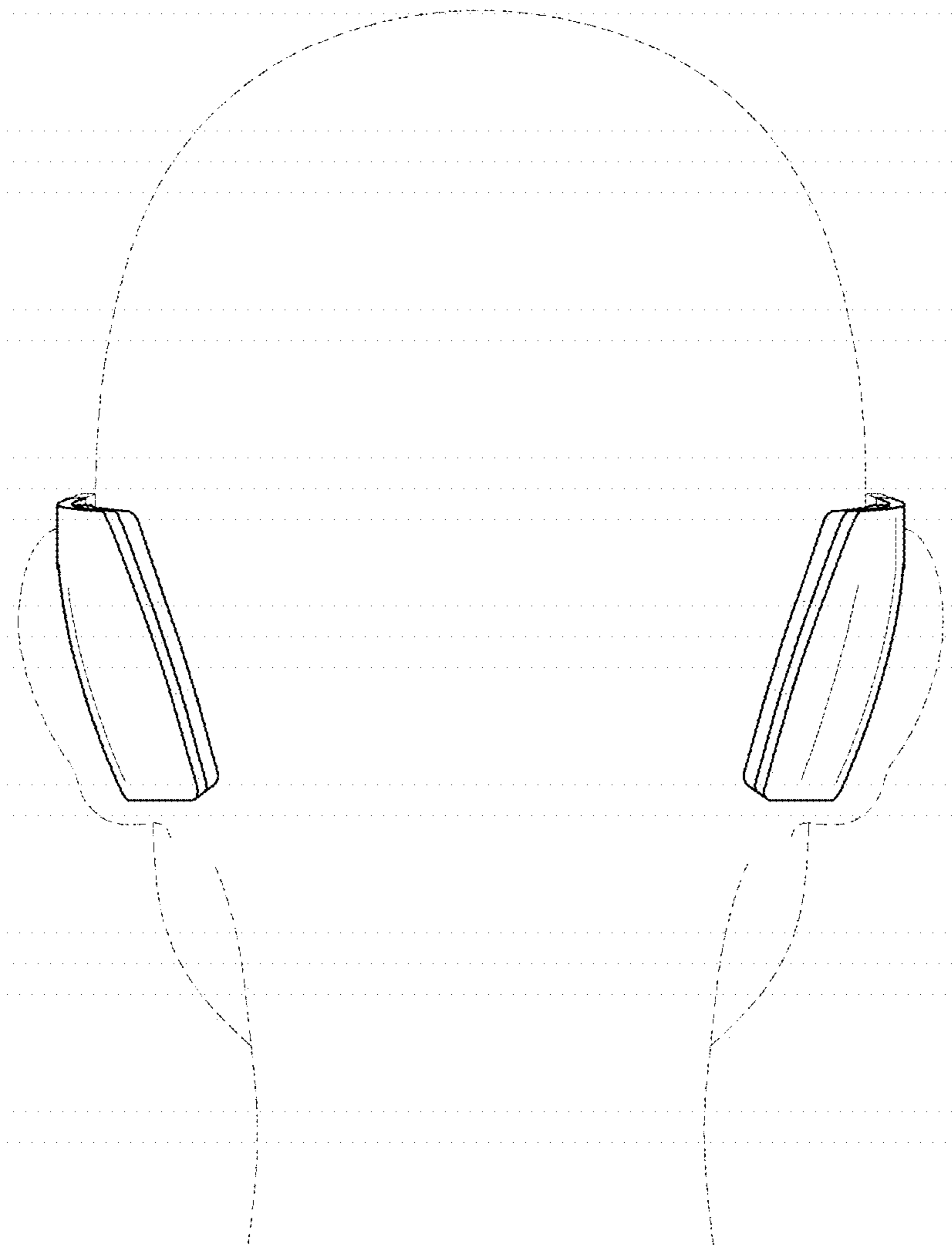


FIG. 10