



US00D917474S

(12) **United States Design Patent**
Chiang et al.

(10) **Patent No.:** **US D917,474 S**

(45) **Date of Patent:** **** Apr. 27, 2021**

(54) **DISPLAY DEVICE**

(71) Applicant: **HTC Corporation**, Taoyuan (TW)

(72) Inventors: **Meng-Sheng Chiang**, Taoyuan (TW);
Chin-Wei Chou, Taoyuan (TW);
Yien-Chun Kuo, Taoyuan (TW)

(73) Assignee: **HTC Corporation**, Taoyuan (TW)

(**) Term: **15 Years**

(21) Appl. No.: **29/697,546**

(22) Filed: **Jul. 9, 2019**

(51) **LOC (13) Cl.** **14-02**

(52) **U.S. Cl.**
USPC **D14/372**

(58) **Field of Classification Search**
USPC D14/372, 496, 432, 371, 125, 126, 129,
D14/299; D16/300-342; 351/158, 153,
351/144; 345/7-9, 905; 455/344;
348/115, 53, 121, 739
CPC G02B 27/017; G02B 27/0158; G02B
27/0161; G02B 27/0181; G02B 27/0185;
G02B 27/0189
See application file for complete search history.

(56) **References Cited**

U.S. PATENT DOCUMENTS

D810,743 S * 2/2018 Yee D14/372
D838,718 S * 1/2019 Chiang D14/372

D839,269 S * 1/2019 Wang D14/372
D861,680 S * 10/2019 Chou D14/372
D865,763 S * 11/2019 Lau D14/372
D872,079 S * 1/2020 Huang D14/372
D872,082 S * 1/2020 Denhez D14/372
D896,221 S * 9/2020 Lee D14/372
D896,223 S * 9/2020 Amijo D14/372

* cited by examiner

Primary Examiner — Austin Murphy

(74) *Attorney, Agent, or Firm* — Birch, Stewart, Kolasch
& Birch LLP

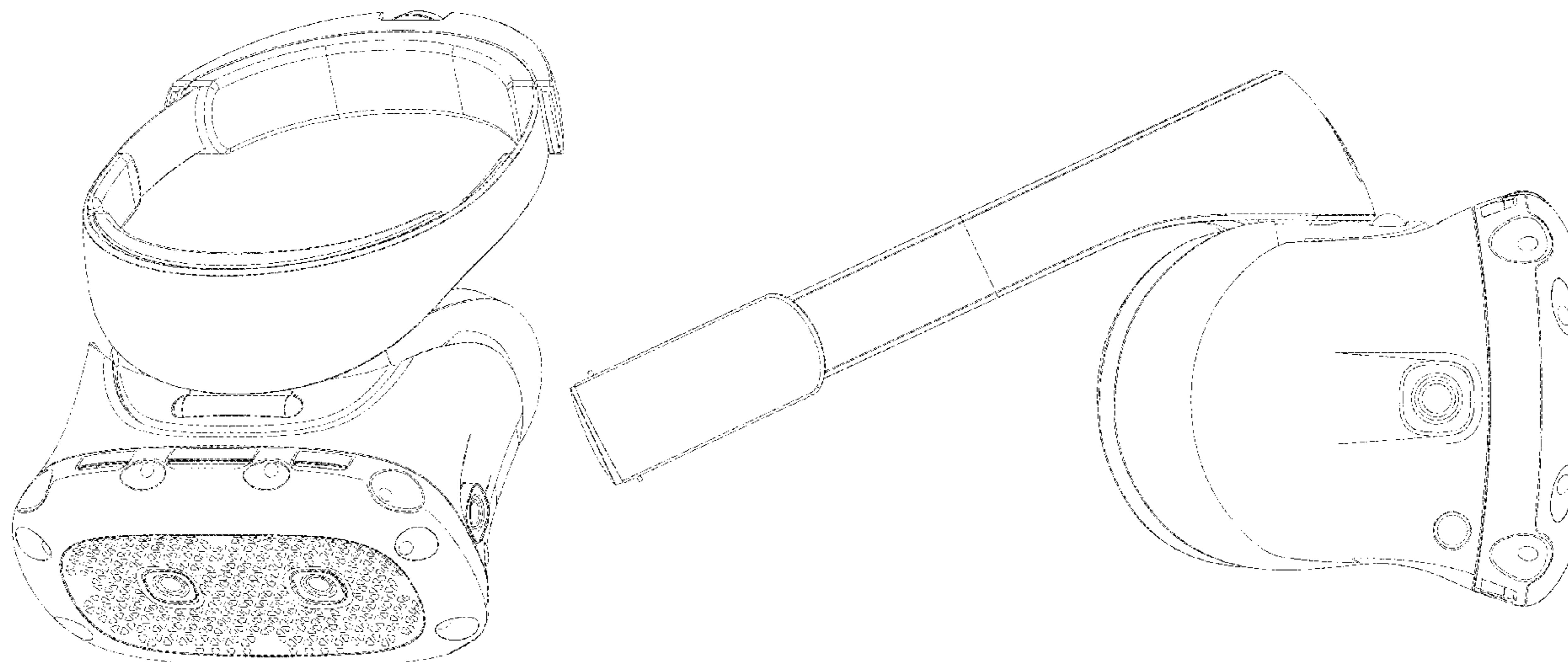
(57) **CLAIM**

The ornamental design for a display device, as shown and described.

DESCRIPTION

FIG. 1 is a perspective view of a display device in accordance with our new design;
FIG. 2 is a front view thereof;
FIG. 3 is a rear view thereof;
FIG. 4 is a left view thereof;
FIG. 5 is a right view thereof;
FIG. 6 is a top plan view thereof; and,
FIG. 7 is a bottom plan view thereof.

1 Claim, 7 Drawing Sheets



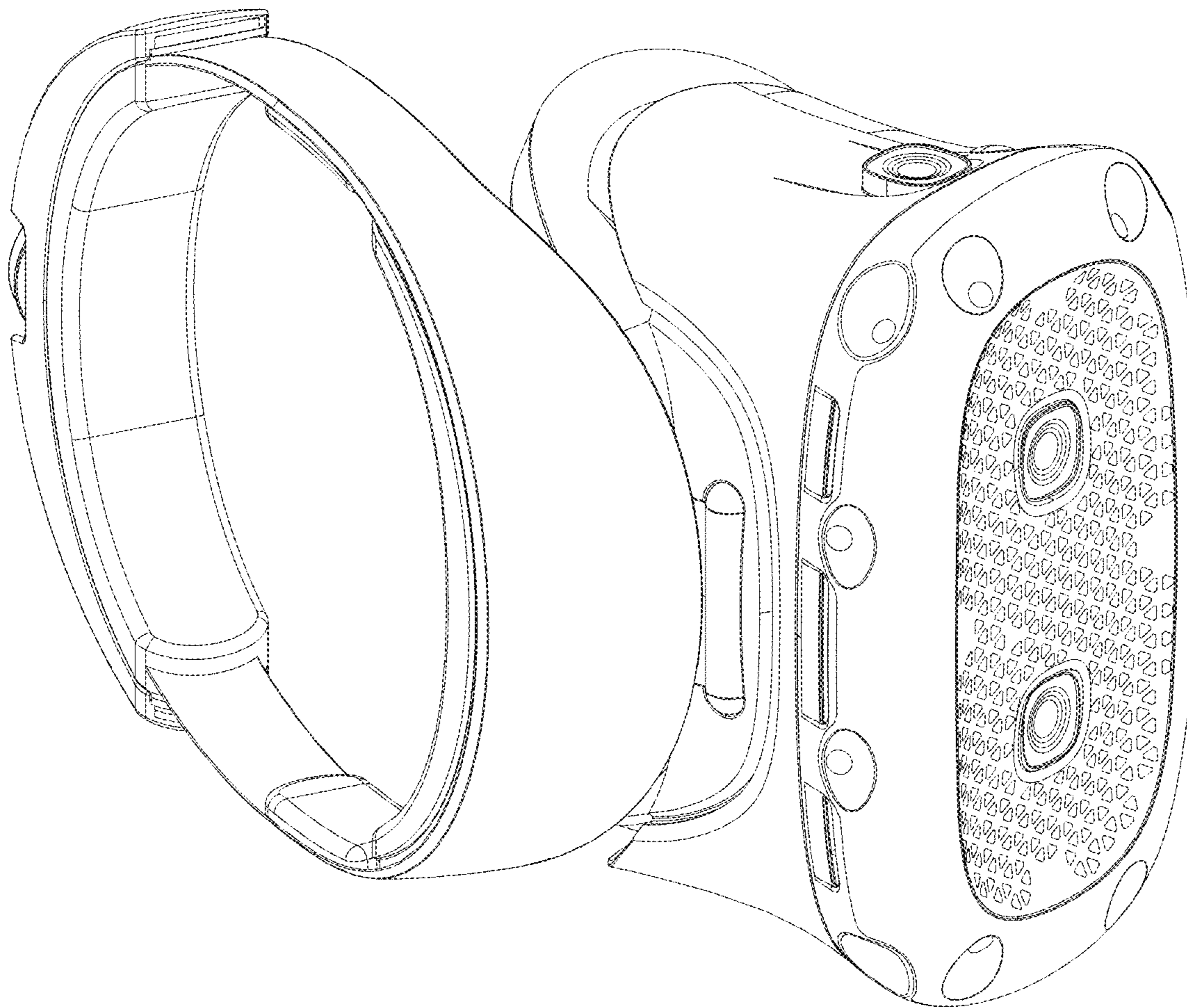


FIG. 1

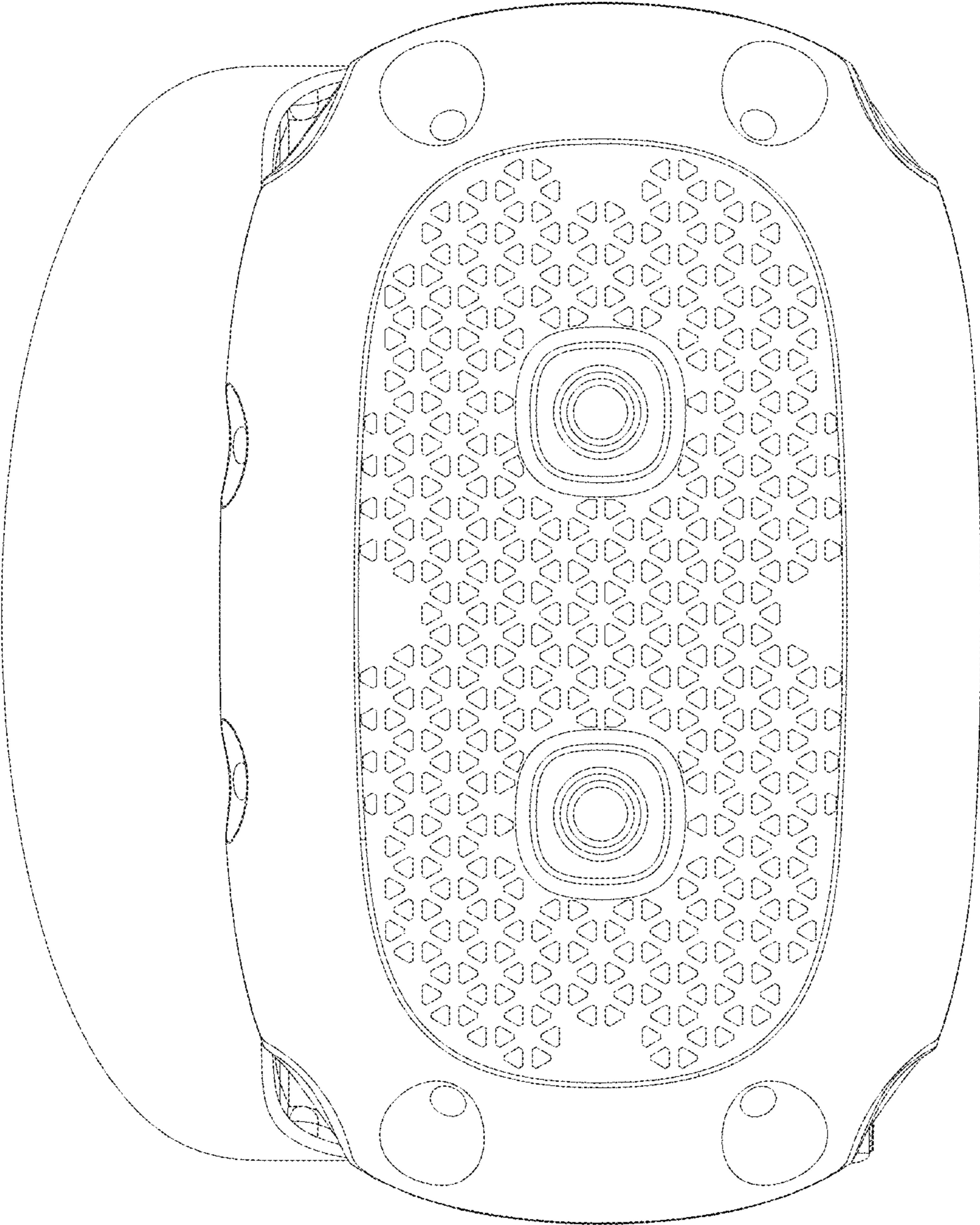


FIG. 2

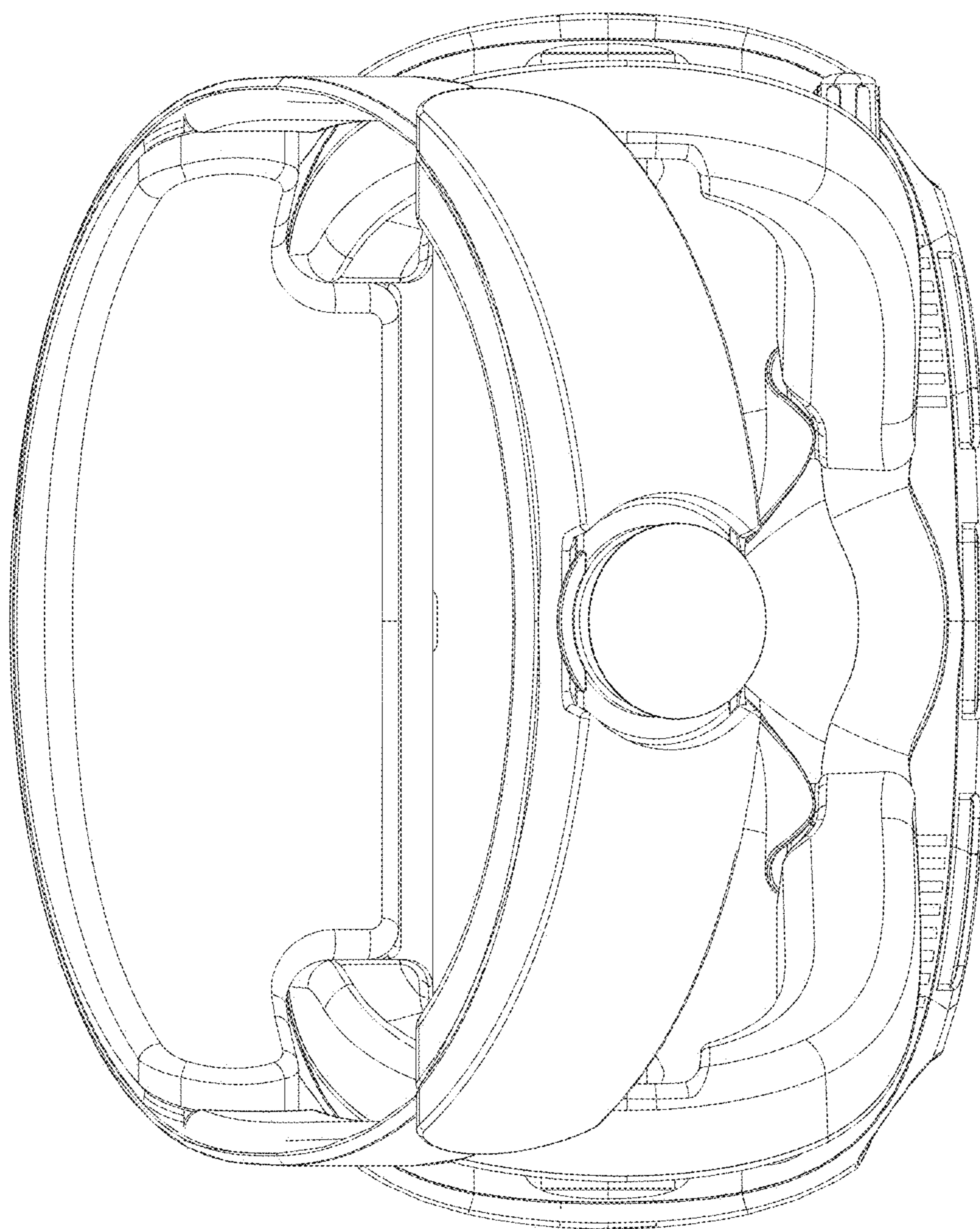


FIG. 3

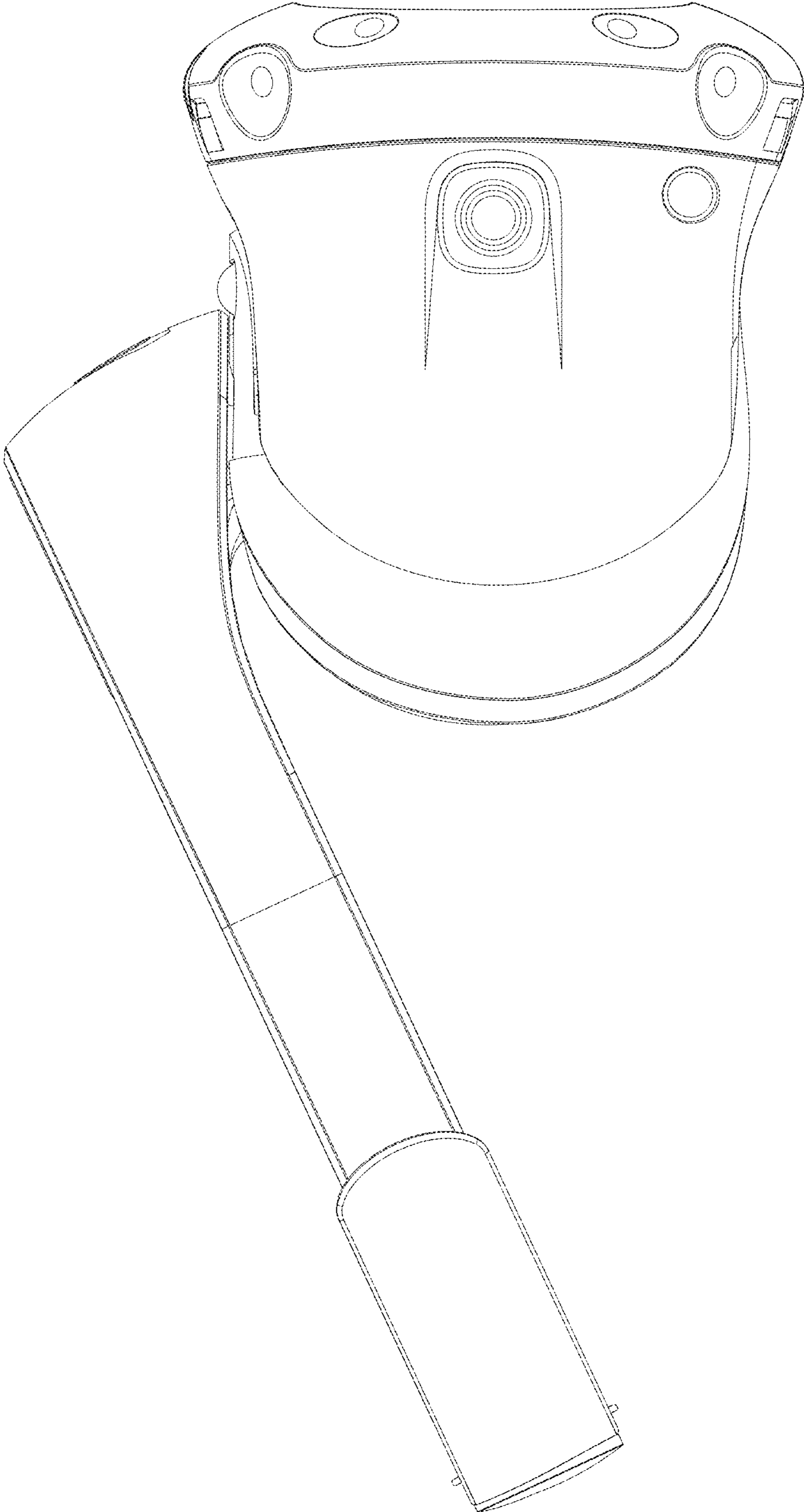


FIG. 4

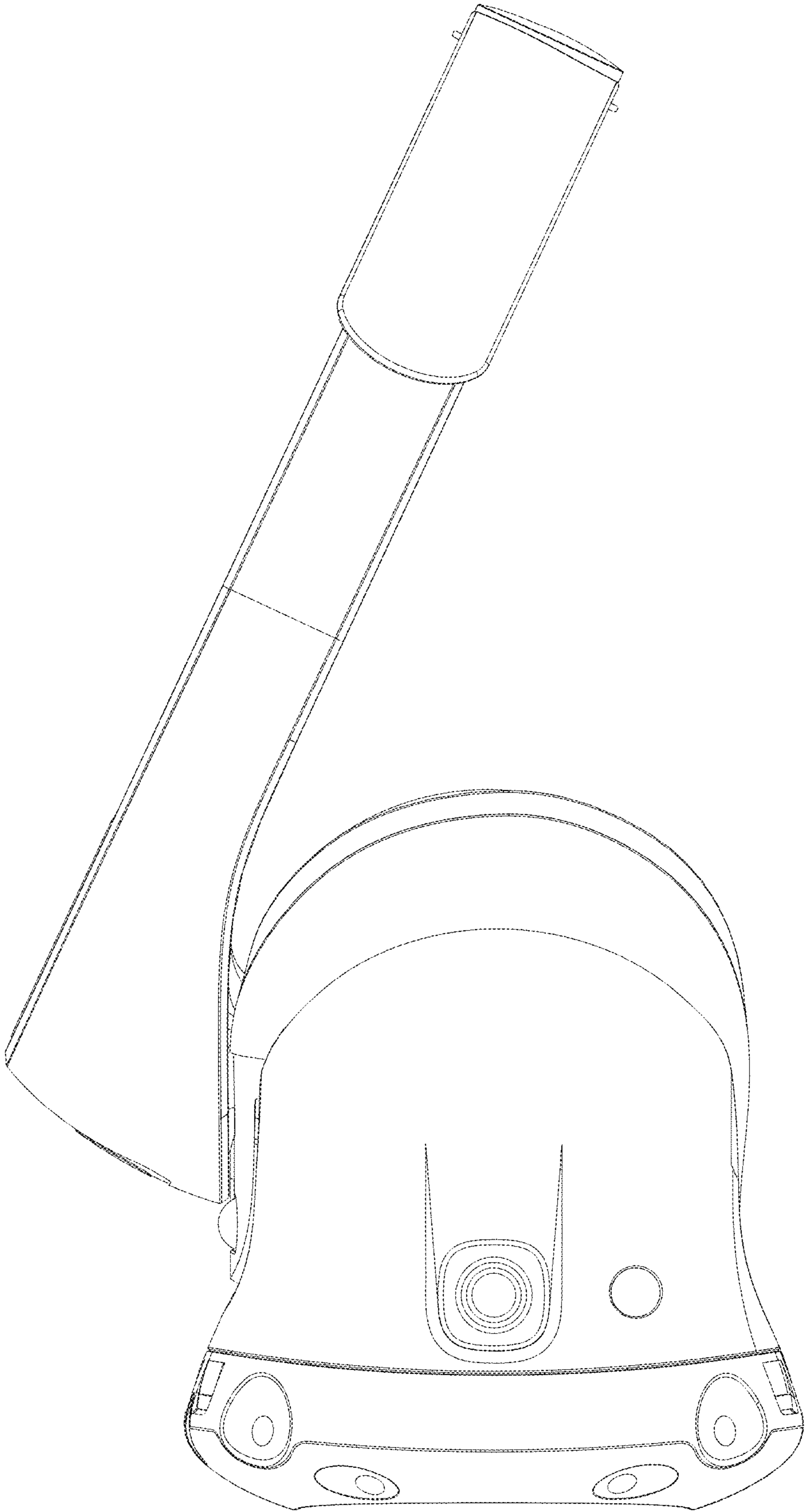


FIG. 5

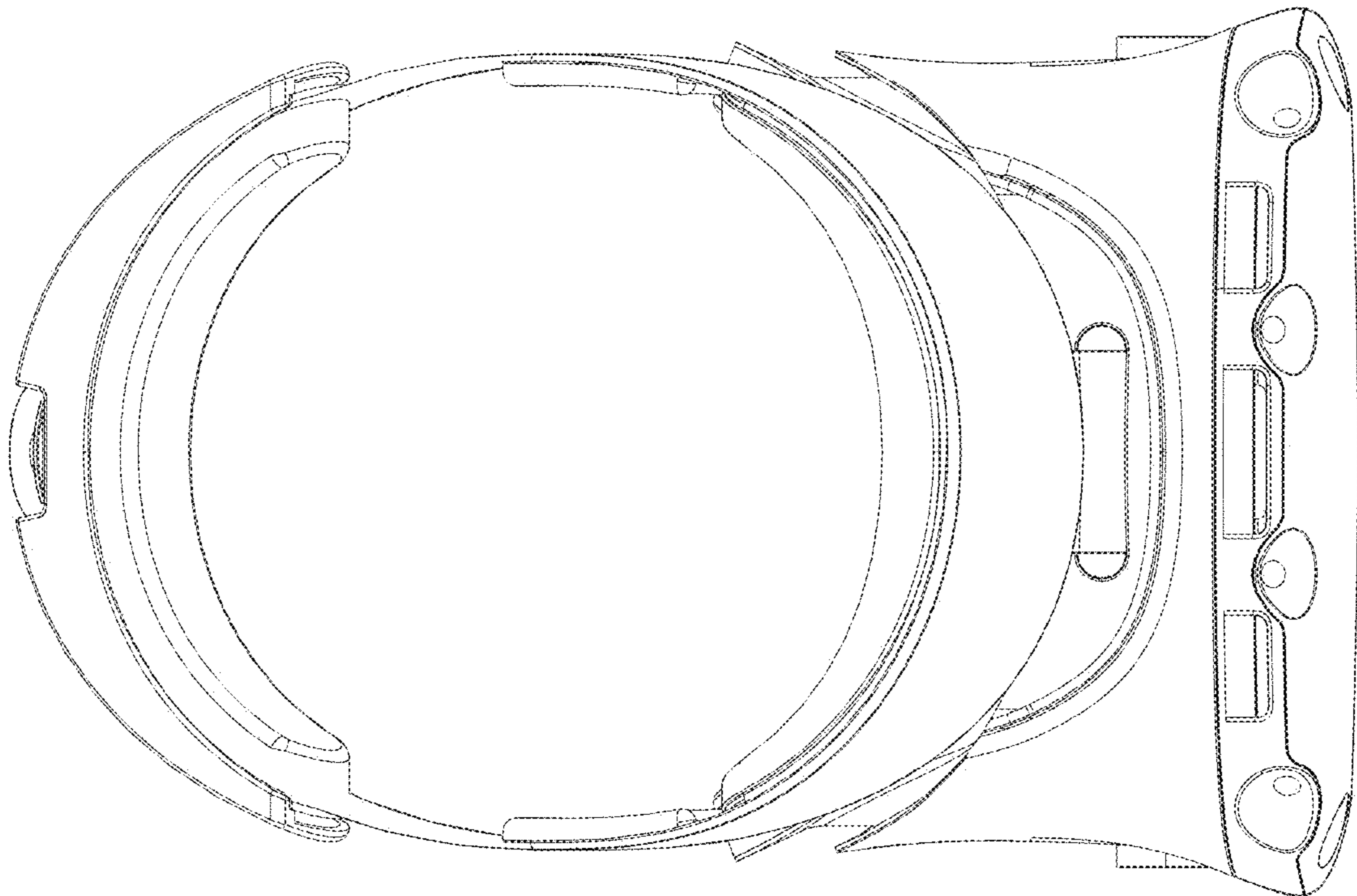


FIG. 6

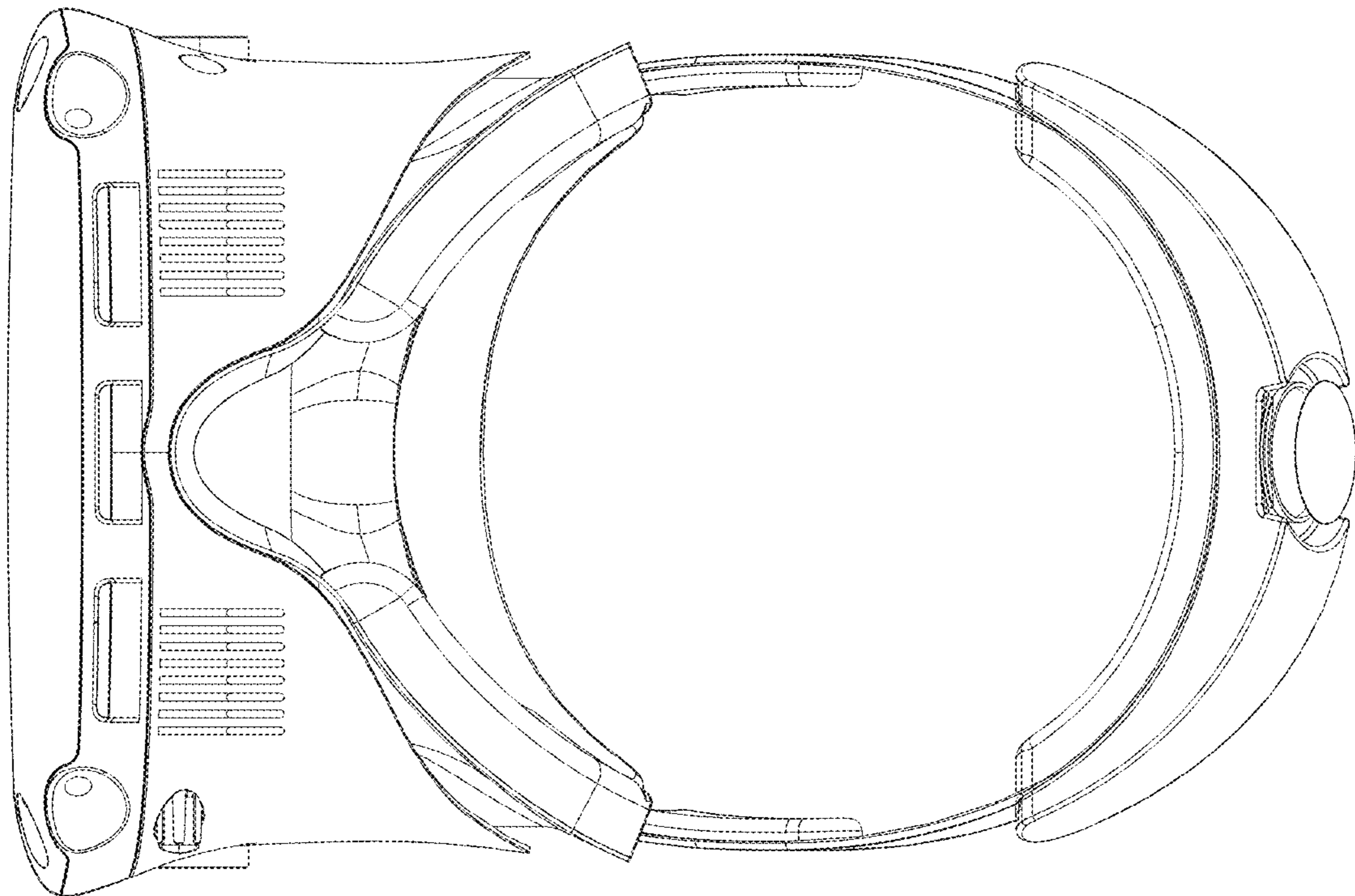


FIG. 7