



US00D917473S

(12) **United States Design Patent**  
**Niizawa et al.**

(10) **Patent No.:** **US D917,473 S**  
(45) **Date of Patent:** **\*\* Apr. 27, 2021**

(54) **PORTABLE DATA STORAGE DEVICE**

(71) Applicant: **Western Digital Technologies, Inc.**,  
San Jose, CA (US)

(72) Inventors: **Derek Niizawa**, Sunnyvale, CA (US);  
**Minsung Kwon**, Palo Alto, CA (US);  
**Alfonso Calderon**, Redwood City, CA (US)

(73) Assignee: **Western Digital Technologies, Inc.**,  
San Jose, CA (US)

(\*\*) Term: **15 Years**

(21) Appl. No.: **29/695,667**

(22) Filed: **Jun. 20, 2019**

(51) **LOC (13) Cl.** ..... **14-02**

(52) **U.S. Cl.**  
USPC ..... **D14/348**; D14/363; D14/356

(58) **Field of Classification Search**  
USPC ..... D14/348-370, 383-385, 432, 433, 435,  
D14/436, 474, 480, 440, 498, 500, 502,  
(Continued)

(56) **References Cited**

**U.S. PATENT DOCUMENTS**

D408,380 S \* 4/1999 Crohas ..... D14/368  
D409,616 S \* 5/1999 Goto ..... D14/214  
(Continued)

**OTHER PUBLICATIONS**

SanDisk Extreme Pro Portable SSD \_ Western Digital Store with  
Data sheet. (online) 4 pgs. Available Sep. 2019 see data sheet.  
[Retrieved Nov. 13, 2020] <https://shop.westerndigital.com/products/portable-drives/sandisk-extreme-pro-usb-3-1-ssd#SDSSDE80-500G-A25> with data-sheet-extreme-pro-usb-3-1-ssd.pdf.\*  
(Continued)

*Primary Examiner* — Marie D. Fast Horse  
(74) *Attorney, Agent, or Firm* — Brinks Gilson & Lione

(57) **CLAIM**

The ornamental design for a portable data storage device, as shown and described.

**DESCRIPTION**

The file of this patent contains at least one drawing executed in color. Copies of this patent with color drawings will be provided by the Office upon request and payment of the necessary fee.

FIG. 1 is a front, side, and top isometric view of a first embodiment of a portable data storage device embodying the new design;

FIG. 2 is a cross-section view along lines 2-2 in FIGS. 1 and 3;

FIG. 3 is a front view thereof;

FIG. 4 is a rear view thereof;

FIG. 5 is a first side view thereof;

FIG. 6 is a second side view thereof;

FIG. 7 is a top view thereof; and

FIG. 8 is a bottom view thereof.

FIG. 9 is a front, side, and top isometric view of a second embodiment of an electronic portable data storage device embodying the new design, shown in color;

FIG. 10 is a cross-section view along lines 10-10 in FIGS. 9 and 11;

FIG. 11 is a front view thereof;

FIG. 12 is a rear view thereof;

FIG. 13 is a first side view thereof;

FIG. 14 is a second side view thereof;

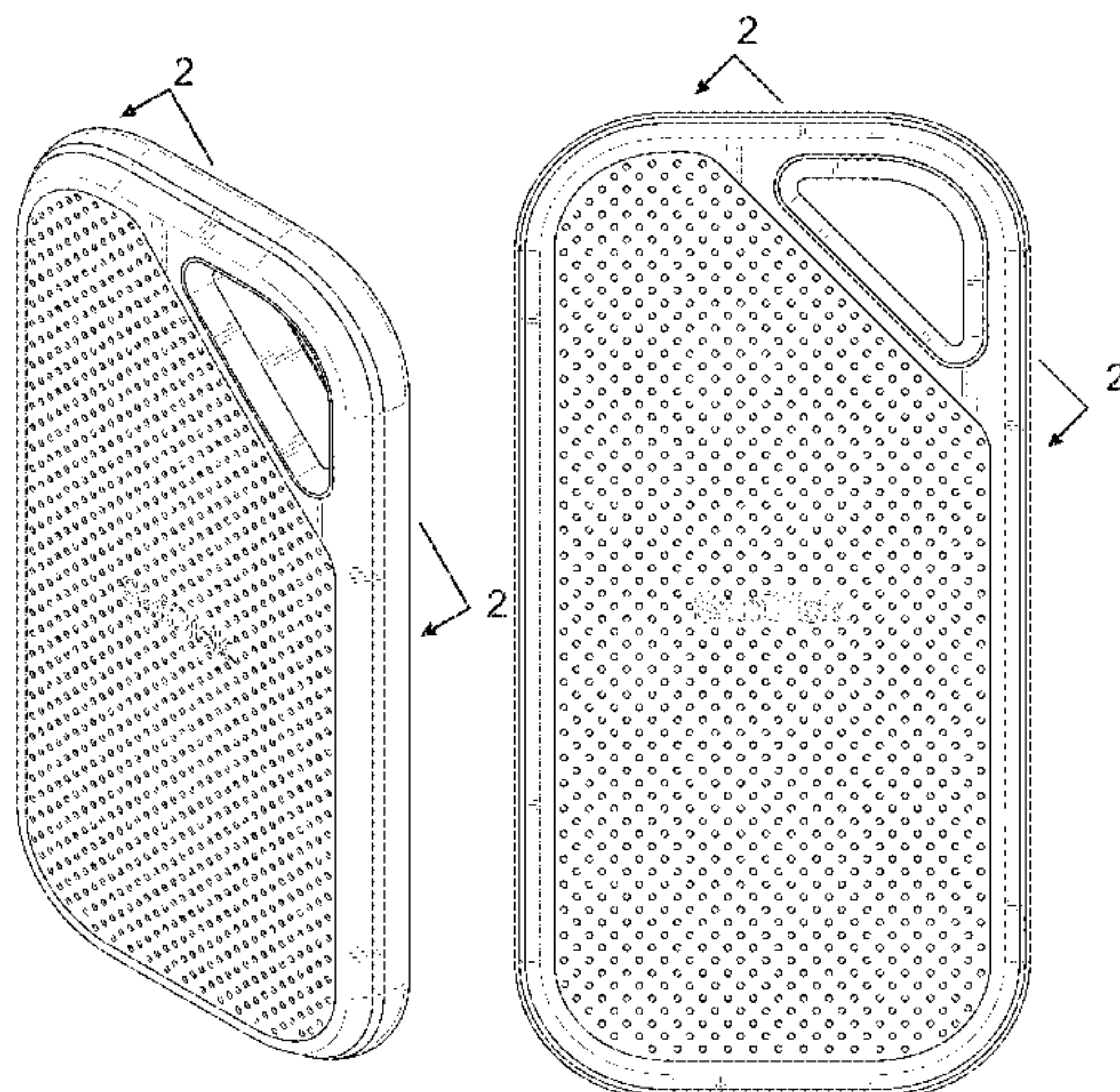
FIG. 15 is a top view thereof; and,

FIG. 16 is a bottom view thereof.

The broken lines in the drawings depict portions of the portable data storage device that form no part of the claimed design. While all colored surfaces in FIGS. 9-16 are claimed, the unshaded/uncolored surfaces shown between the solid lines/colored surfaces and the broken lines form no part of the claimed design.

The scope of the present disclosure encompasses different surface contrast, including color contrast, texture contrast, or the like, of the portable data storage device.

**1 Claim, 16 Drawing Sheets**  
**(8 of 16 Drawing Sheet(s) Filed in Color)**



(58) **Field of Classification Search**

USPC ..... D14/300–302, 314, 125, 135, 155, 496,  
 D14/240–242, 299, 203.1, 203.3, 214;  
 D13/103, 107, 108, 110, 119, 158, 162,  
 D13/184, 199, 168; D3/276, 294;  
 D10/46, 49, 75, 104.1  
 CPC ... G11B 33/027; G11B 33/122; G11B 33/124;  
 G11B 33/00; G11B 33/02; G11B 33/022;  
 G11B 33/025; G11B 2220/60; G11B  
 2220/61; G11B 2220/63; G11B 2220/65;  
 H05K 5/00; H05K 5/0213; H05K 7/00;  
 H05K 7/1427

See application file for complete search history.

(56) **References Cited**

U.S. PATENT DOCUMENTS

D417,873 S \* 12/1999 Lin ..... D14/214  
 6,357,890 B1 \* 3/2002 Parsons ..... A44B 15/00  
 362/116  
 D464,966 S \* 10/2002 Yeh ..... D14/367  
 D483,739 S \* 12/2003 Olson ..... D14/214  
 D511,343 S \* 11/2005 Solomon ..... D14/356  
 D512,060 S \* 11/2005 Wang ..... D14/480.1  
 D524,665 S \* 7/2006 Taisto ..... D10/65  
 D532,785 S \* 11/2006 Lo ..... D14/363  
 D532,786 S \* 11/2006 Iseki ..... D14/365  
 D550,704 S \* 9/2007 Ichinose ..... D14/496  
 D552,591 S \* 10/2007 Deguchi ..... D14/480.7  
 D558,782 S \* 1/2008 Deguchi ..... D14/480.7  
 7,333,328 B2 \* 2/2008 Funawatari ..... G11B 33/122  
 361/679.33  
 D571,856 S \* 6/2008 Hammad ..... D14/436  
 D577,020 S \* 9/2008 Park ..... D14/363  
 D587,267 S \* 2/2009 Wang ..... D14/356  
 D590,392 S \* 4/2009 Wang ..... D14/356  
 D602,492 S \* 10/2009 Wang ..... D14/356  
 D606,999 S \* 12/2009 He ..... D14/480.7  
 D627,343 S \* 11/2010 Andre ..... D14/248  
 D629,399 S \* 12/2010 Camarena ..... D14/356  
 D630,632 S \* 1/2011 Puls ..... D14/356  
 D641,327 S \* 7/2011 Falakfarsa ..... D14/125  
 D641,362 S \* 7/2011 Dublin ..... D14/356  
 D641,363 S \* 7/2011 Dublin ..... D14/356  
 D643,427 S \* 8/2011 McGoldrick ..... D14/356  
 D654,491 S \* 2/2012 Melanson ..... D14/250

D662,498 S \* 6/2012 Morgan ..... D14/356  
 D665,735 S \* 8/2012 Kang ..... D13/108  
 D672,780 S \* 12/2012 Chen ..... D14/433  
 D674,393 S \* 1/2013 Behar ..... D14/440  
 D681,025 S \* 4/2013 Chang ..... D14/250  
 D686,153 S \* 7/2013 Qu ..... D13/108  
 D693,709 S \* 11/2013 Lee ..... D10/70  
 D708,230 S \* 7/2014 Yagi ..... D14/498  
 D727,918 S \* 4/2015 Soare ..... D14/440  
 D730,893 S \* 6/2015 Yin ..... D14/358  
 D740,808 S \* 10/2015 Kono ..... D14/365  
 D740,809 S \* 10/2015 Kwon ..... D14/365  
 D743,962 S \* 11/2015 Ikeda ..... D14/348  
 D758,366 S \* 6/2016 Peng ..... D14/363  
 D760,223 S \* 6/2016 Peng ..... D14/363  
 D765,616 S \* 9/2016 Corval ..... D14/204  
 D777,725 S \* 1/2017 Peng ..... D14/367  
 D778,280 S \* 2/2017 Vanderpol ..... D14/363  
 D783,527 S \* 4/2017 Hao ..... D13/110  
 D789,930 S \* 6/2017 Webb ..... D14/348  
 D791,773 S \* 7/2017 Moore ..... D14/440  
 D808,963 S \* 1/2018 Delpier ..... D14/348  
 D810,717 S \* 2/2018 Magness ..... D14/204  
 D814,460 S \* 4/2018 Behar ..... D14/349  
 D815,036 S \* 4/2018 Martorell ..... D13/108  
 D817,866 S \* 5/2018 Liu ..... D13/108  
 D822,651 S \* 7/2018 Gutteridge ..... D14/358  
 D823,791 S \* 7/2018 Xu ..... D13/107  
 D825,558 S \* 8/2018 Peng ..... D14/367  
 D825,562 S \* 8/2018 Segal ..... D14/384  
 D831,657 S \* 10/2018 Shim ..... D14/348  
 D841,011 S \* 2/2019 Mecchella ..... D14/440  
 D848,417 S \* 5/2019 Shim ..... D14/348  
 D873,215 S \* 1/2020 Wu ..... D13/108  
 D881,186 S \* 4/2020 Peng ..... D14/349  
 D886,055 S \* 6/2020 Liao ..... D13/108  
 D892,039 S \* 8/2020 Chen ..... D13/103  
 2004/0032711 A1 \* 2/2004 Kaczeus, Sr. .... G11B 33/122  
 361/679.33

OTHER PUBLICATIONS

SanDisk 2TB Extreme Portable External SSD. (Online) 2 pgs.  
 Available Jan. 8, 2018. [retrieved Jan. 25, 2021] [https://www.amazon.com/SanDisk-Extreme-Portable-External-SDSSDE60-2T00-G25/dp/B078T9SZ3K?th=1.\\*](https://www.amazon.com/SanDisk-Extreme-Portable-External-SDSSDE60-2T00-G25/dp/B078T9SZ3K?th=1.*)

\* cited by examiner



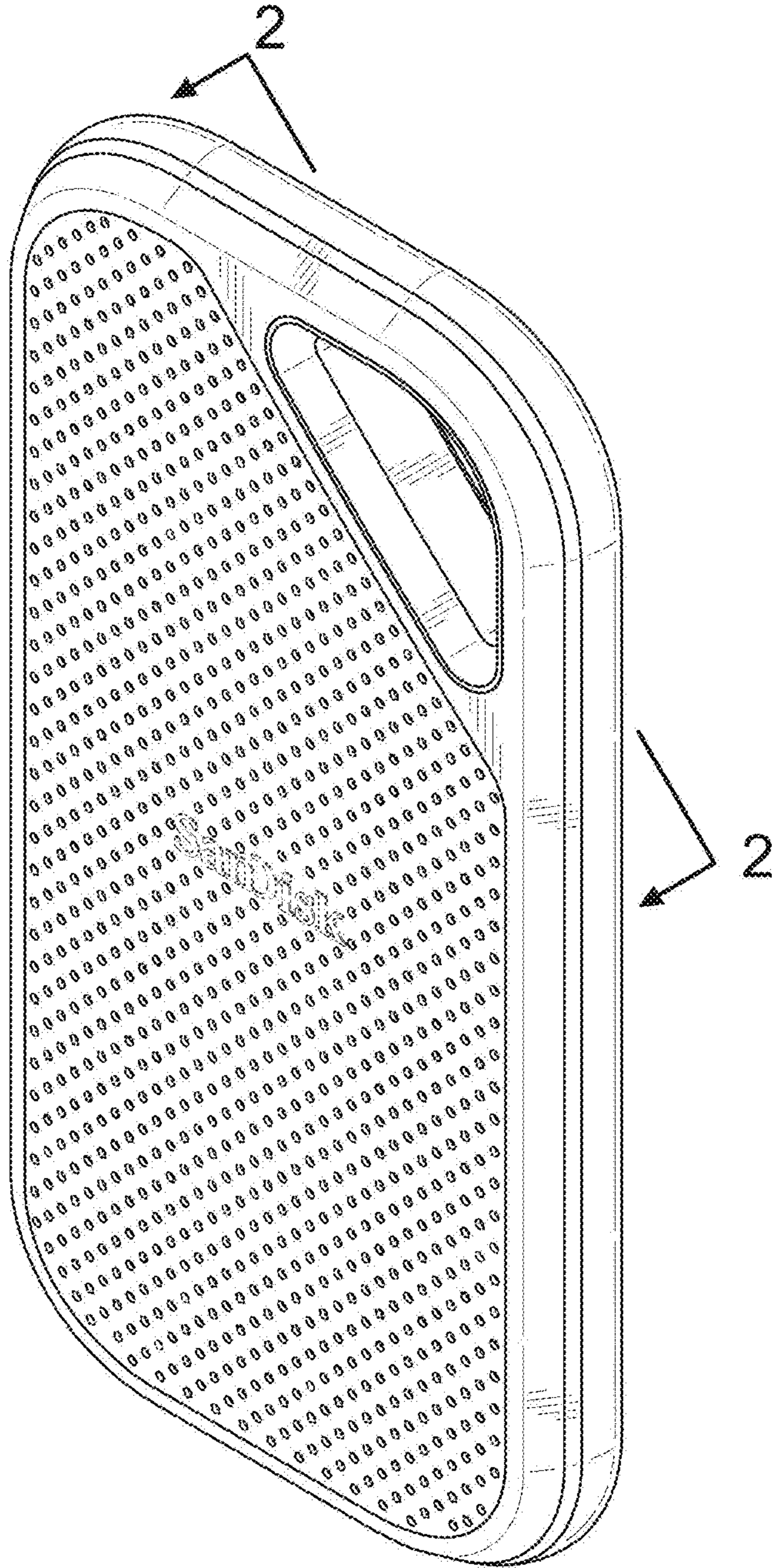


FIG. 1

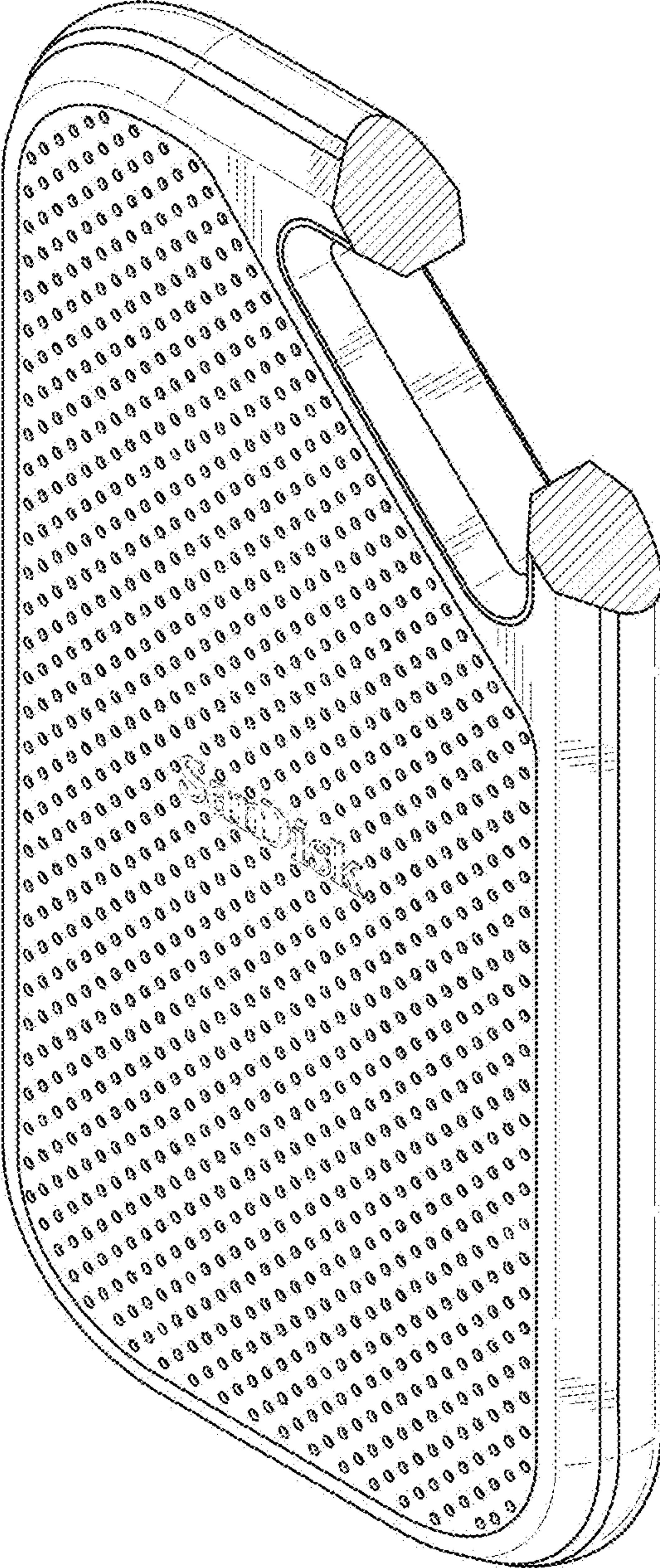


FIG. 2



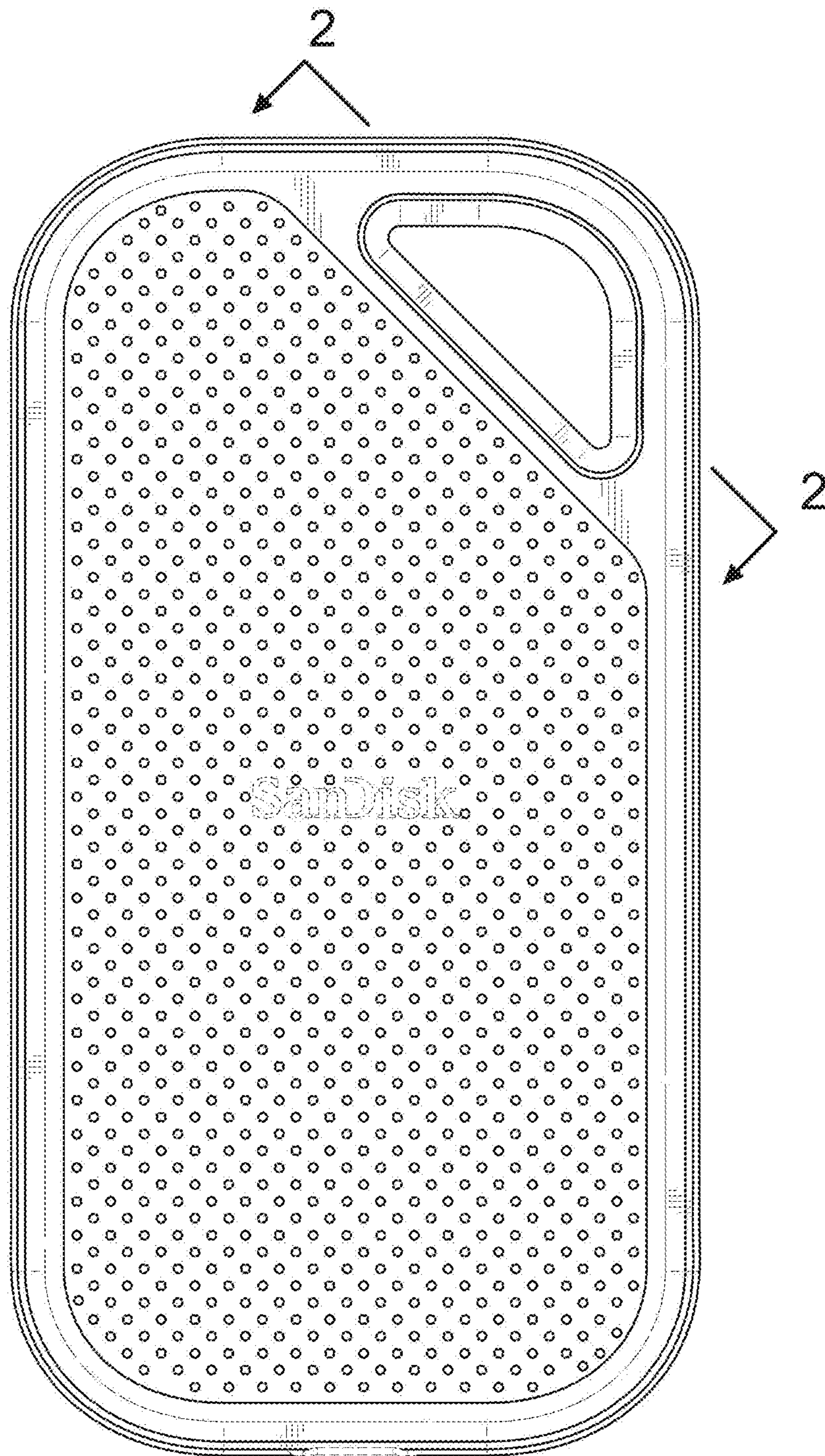


FIG. 3

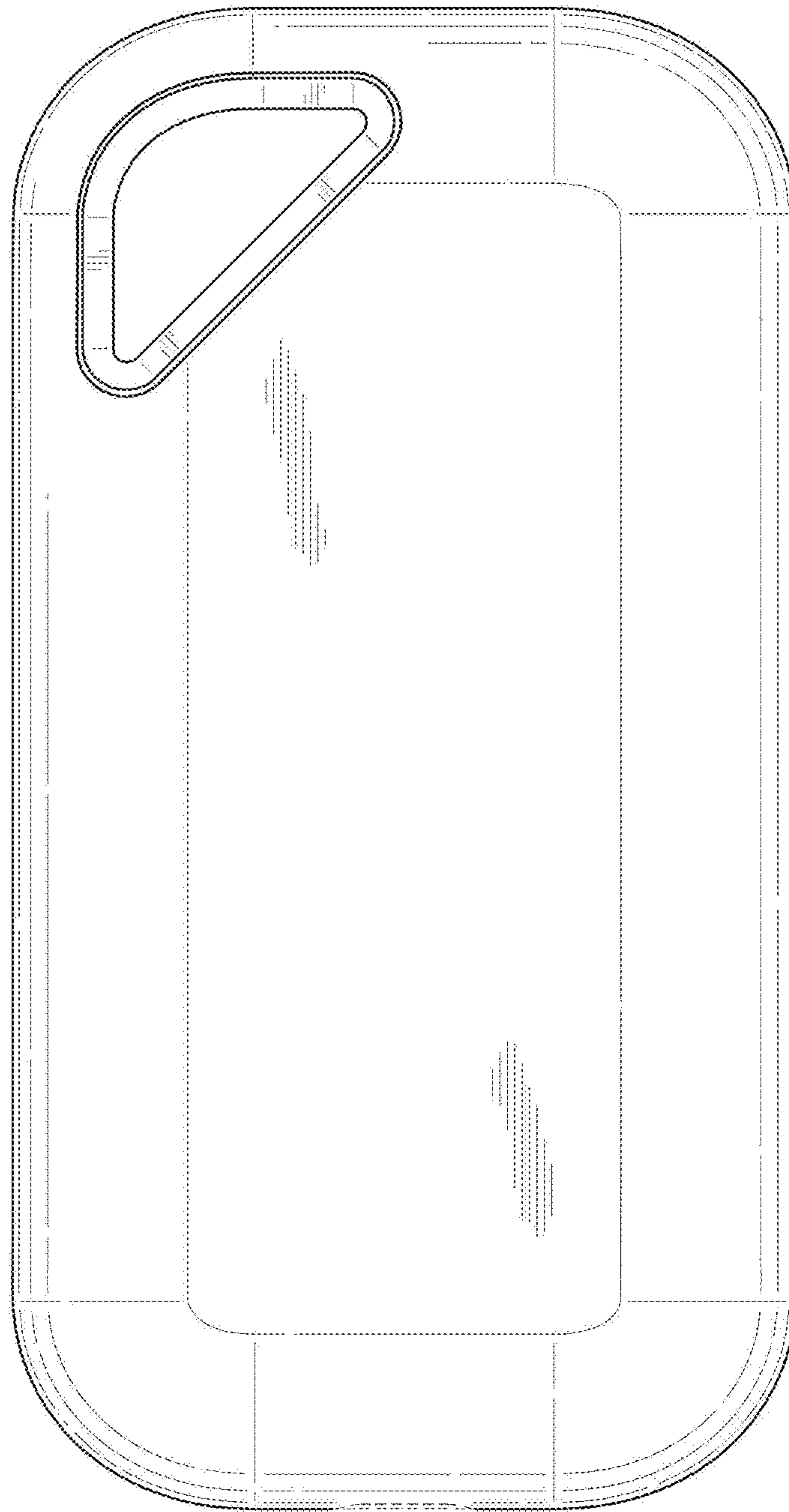


FIG. 4

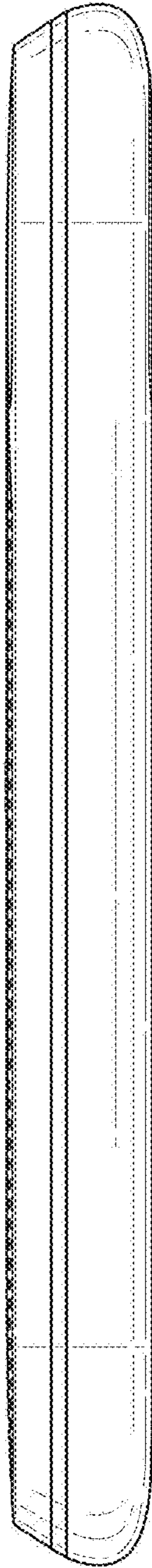


FIG. 5

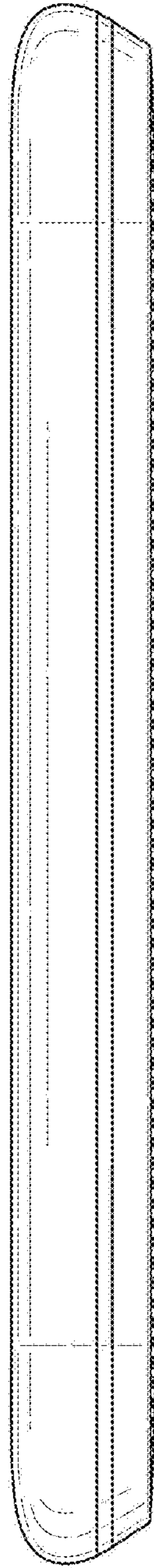


FIG. 6



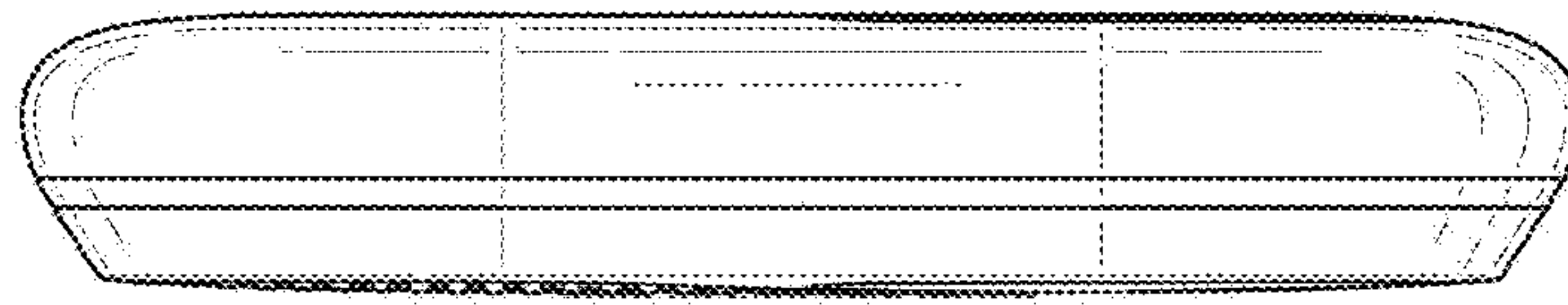


FIG. 7

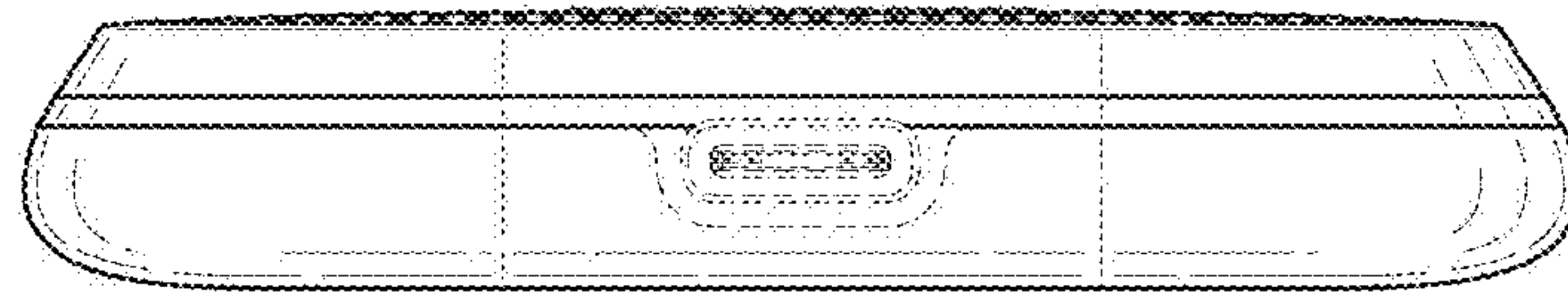


FIG. 8

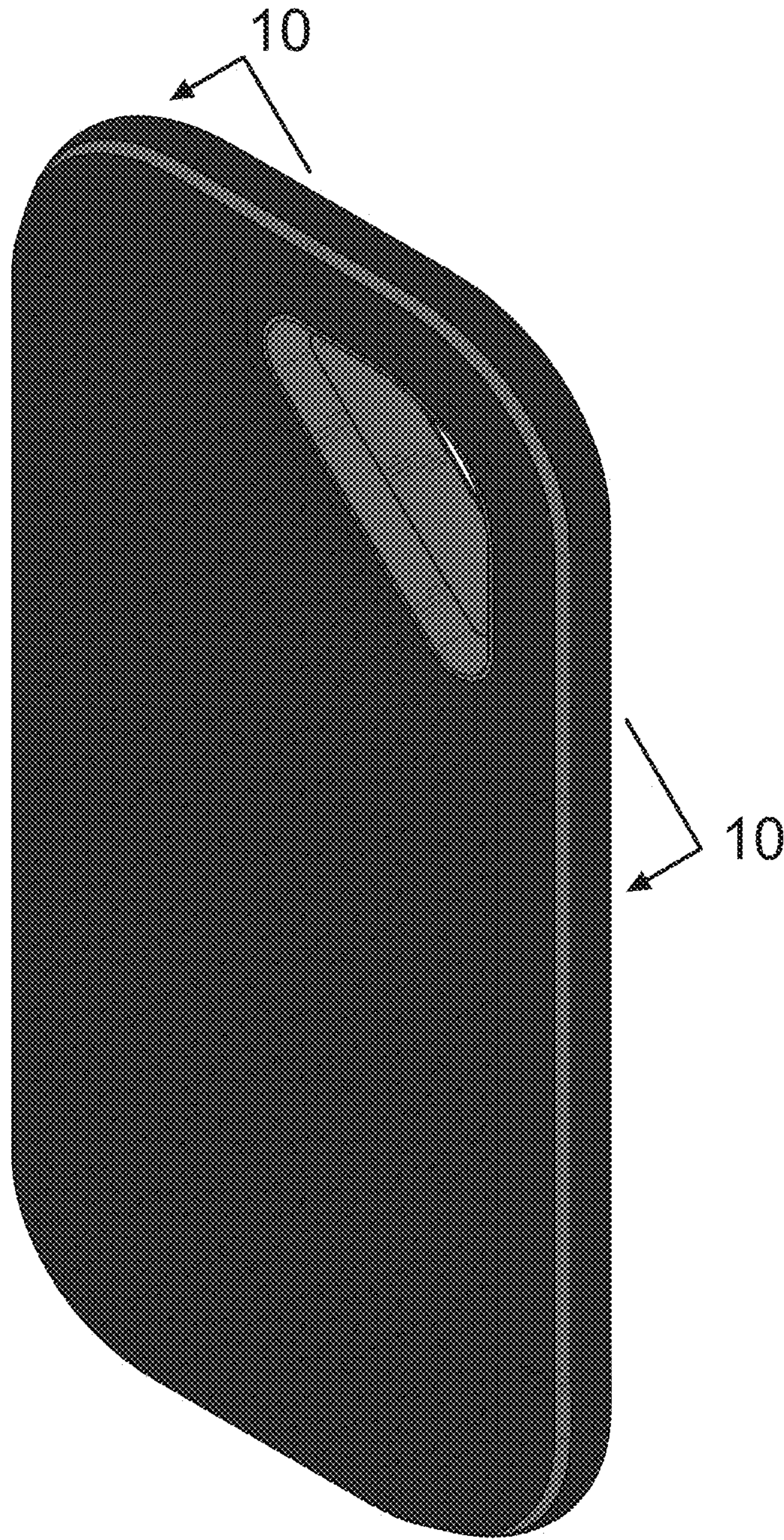


FIG. 9



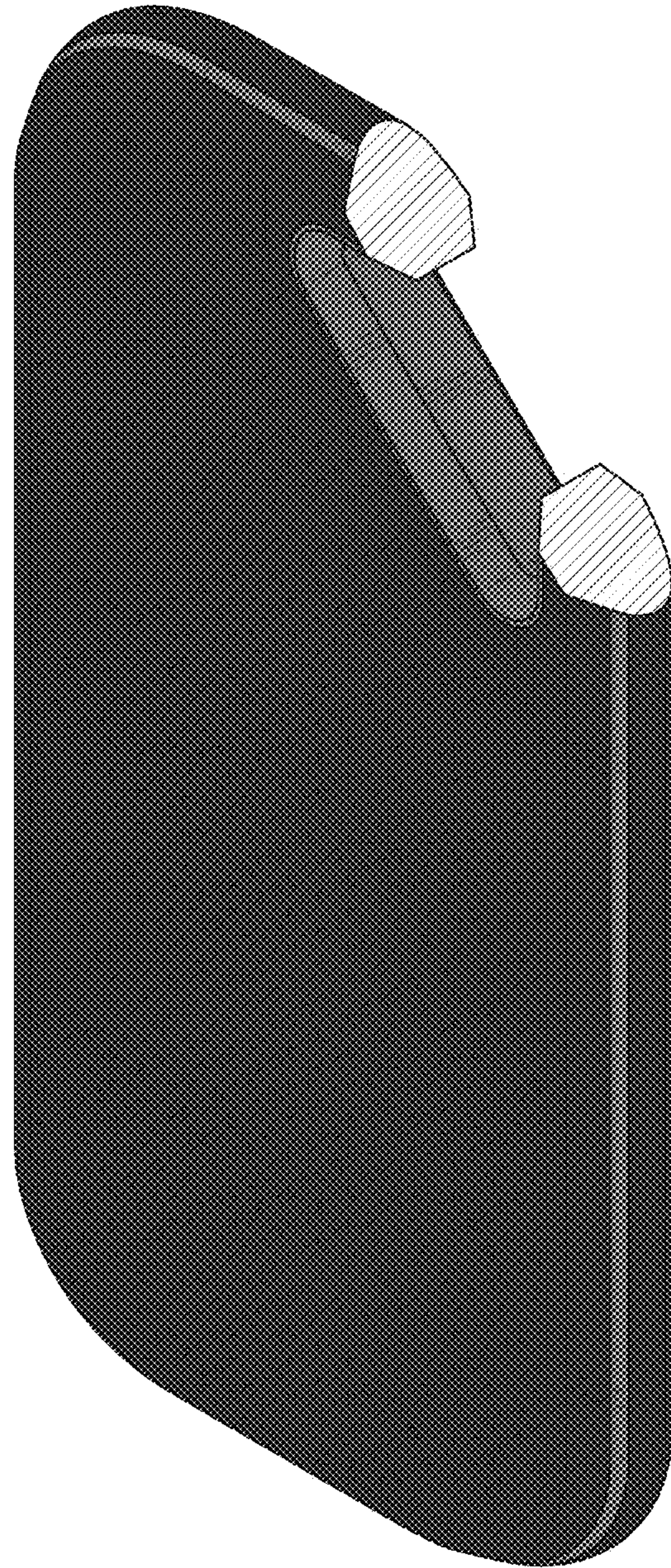


FIG. 10



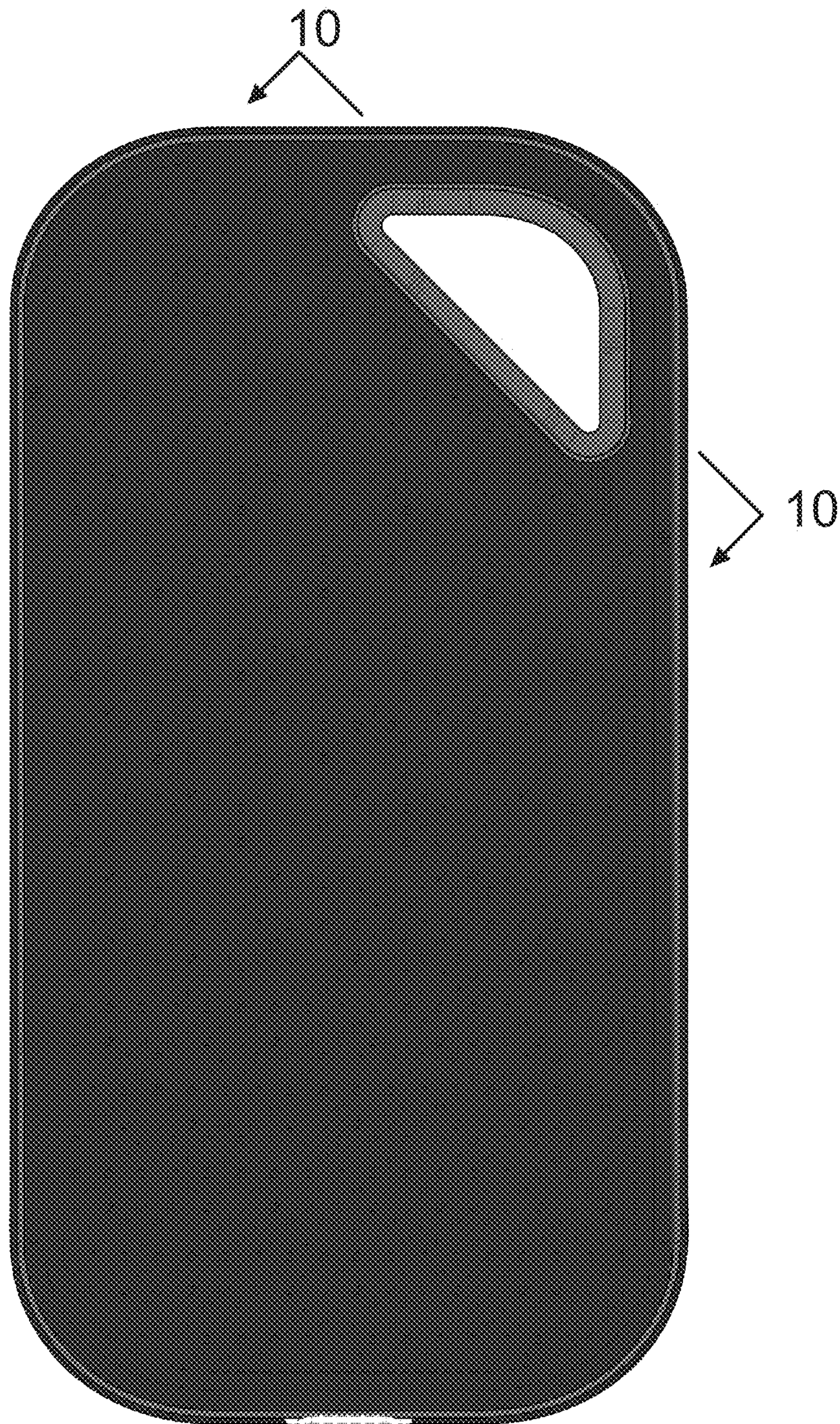


FIG. 11



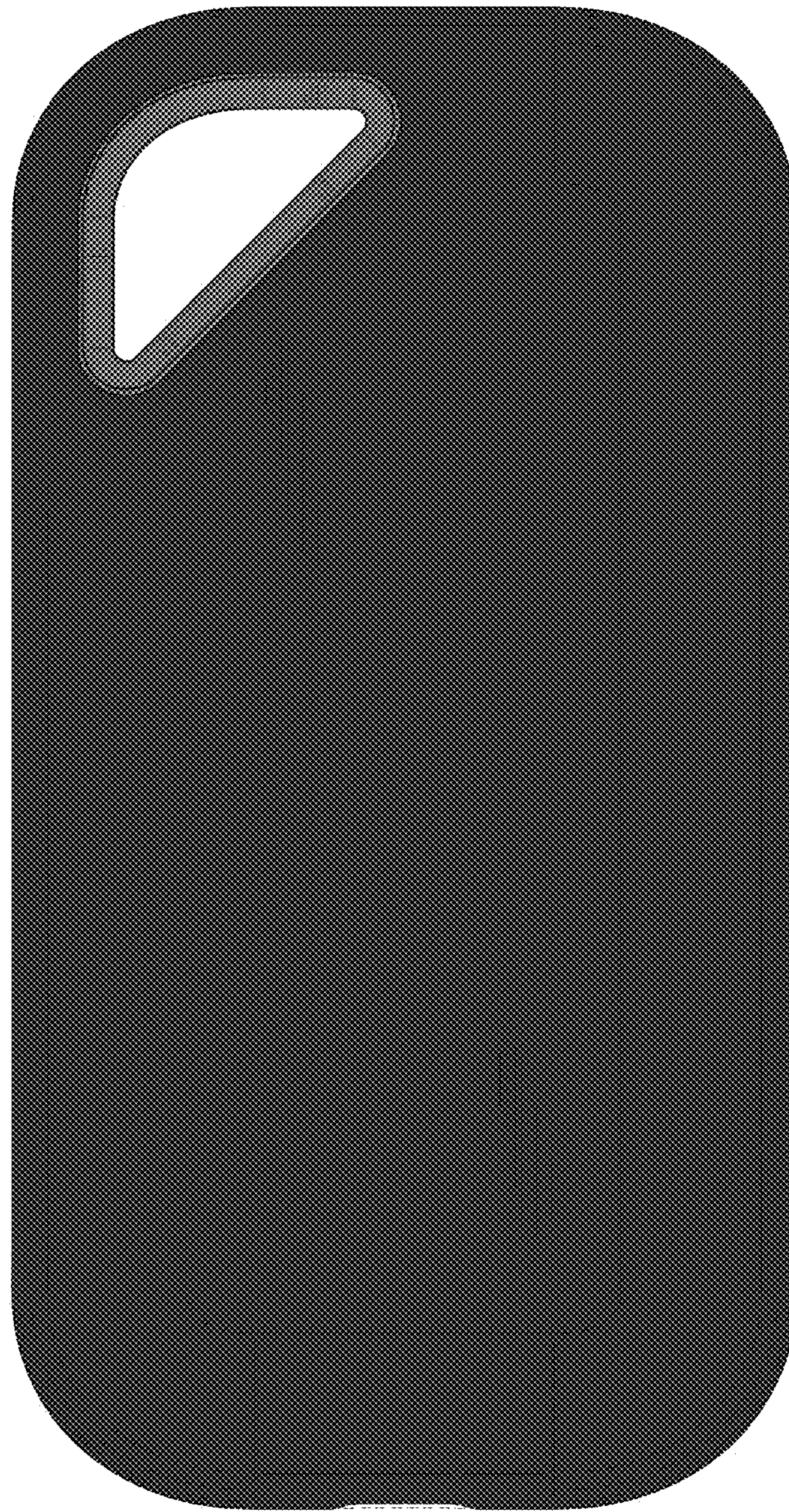


FIG. 12



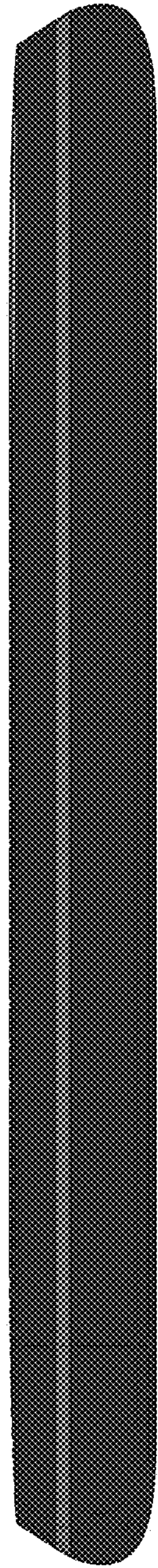


FIG. 13

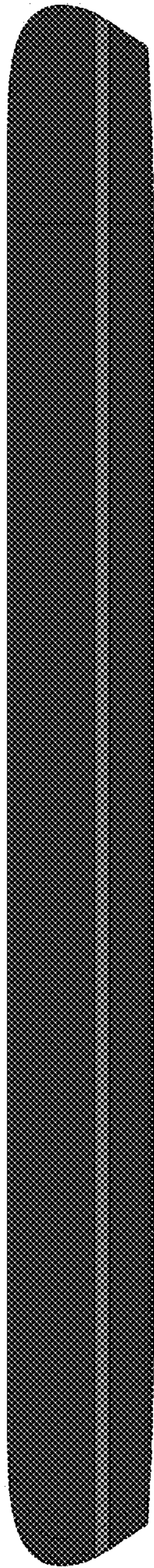


FIG. 14

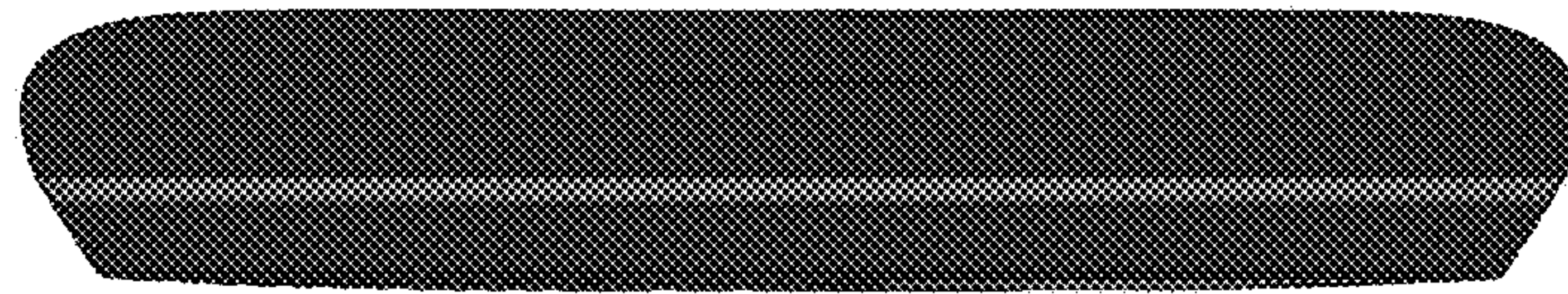


FIG. 15



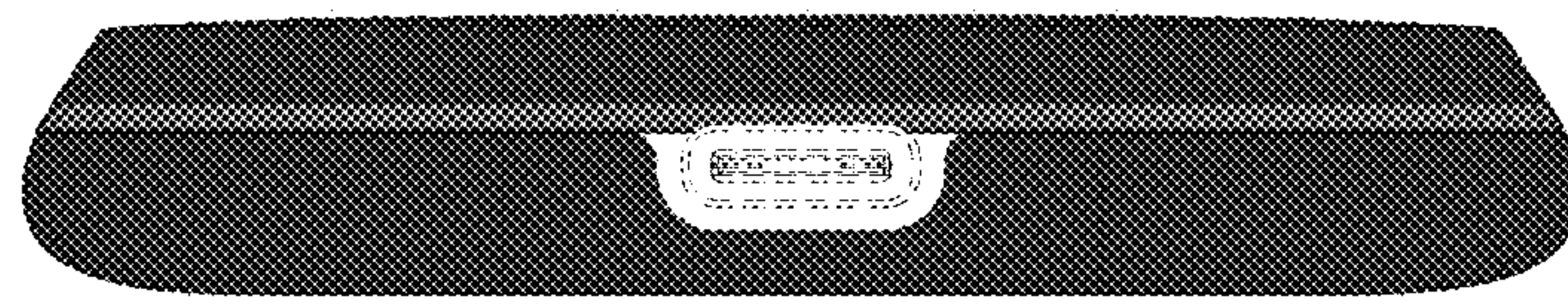


FIG. 16