



US00D917471S

(12) **United States Design Patent** (10) **Patent No.:** **US D917,471 S**
Yan et al. (45) **Date of Patent:** **** Apr. 27, 2021**

(54) **SMART BAND**
(71) Applicant: **SHENZHEN YOUHONG TECHNOLOGY CO., LTD.**, Guangdong (CN)
(72) Inventors: **Hongwu Yan**, Guangdong (CN); **Zuoliang Li**, Guangdong (CN)
(73) Assignee: **SHENZHEN YOUHONG TECHNOLOGY CO., LTD.**, Shenzhen (CN)
(**) Term: **15 Years**

D809,144 S * 1/2018 Wu D24/167
D809,955 S * 2/2018 Ling D11/3
D816,668 S * 5/2018 Wu D14/344
D822,526 S * 7/2018 Lean D11/3
D831,644 S * 10/2018 Wu D14/344
D831,645 S * 10/2018 Wu D14/344
D840,043 S * 2/2019 Li D10/38
D841,171 S * 2/2019 Li D14/344
D846,747 S * 4/2019 Lillquist D10/32
D862,463 S * 10/2019 Mao D14/344
D868,063 S * 11/2019 Mao D14/344
D868,781 S * 12/2019 Mao D14/344
D886,097 S * 6/2020 Choplin D14/344
D887,287 S * 6/2020 Kong D14/344
2018/0092438 A1* 4/2018 Vandenbussche ... A44C 5/0053

* cited by examiner

(21) Appl. No.: **29/688,874**
(22) Filed: **Apr. 25, 2019**

Primary Examiner — Llorelys Martinez

(30) **Foreign Application Priority Data**

(57) **CLAIM**

Mar. 29, 2019 (EM) 006358073

The ornamental design for a smart band, as shown and described.

(51) **LOC (13) Cl.** **14-02**
(52) **U.S. Cl.**
USPC **D14/344**

DESCRIPTION

(58) **Field of Classification Search**
USPC D14/344; D11/1-6; D10/31, 32, 38, 70; D24/167
CPC G06F 1/163; G06F 3/014; G04G 15/00; G04G 21/08; A44C 5/0007; A44C 5/0015; A44C 5/0053
See application file for complete search history.

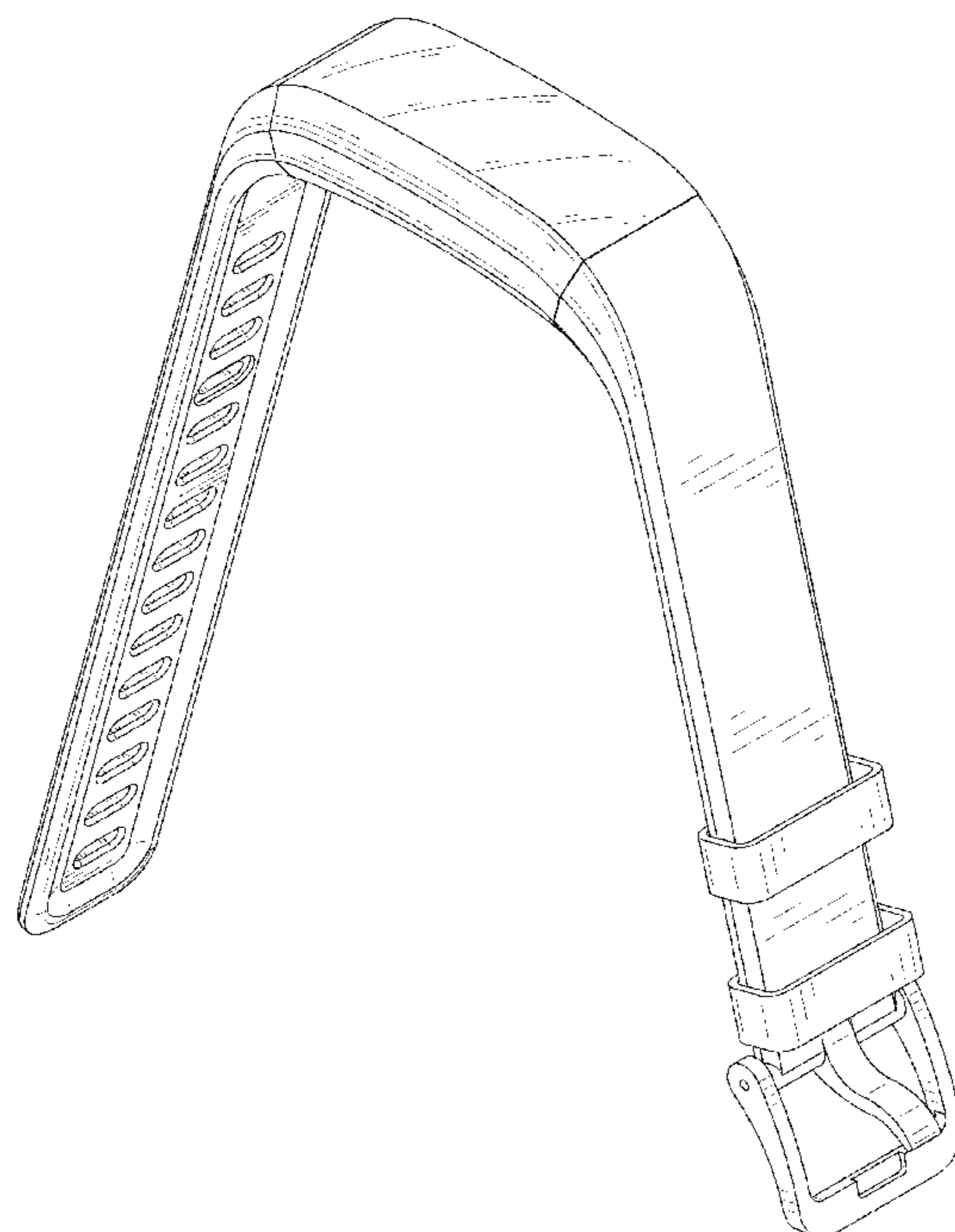
FIG. 1 is a top, front and right side perspective view of a smart band showing our new design;
FIG. 2 is a bottom, rear and left side perspective view thereof;
FIG. 3 is a front elevational view thereof;
FIG. 4 is a rear elevational view thereof;
FIG. 5 is a left side view thereof;
FIG. 6 is a right side view thereof;
FIG. 7 is a top plan view thereof; and,
FIG. 8 is a bottom plan view thereof.

(56) **References Cited**

U.S. PATENT DOCUMENTS

1 Claim, 8 Drawing Sheets

D779,989 S * 2/2017 Lee D11/3
D808,962 S * 1/2018 Wu D14/344



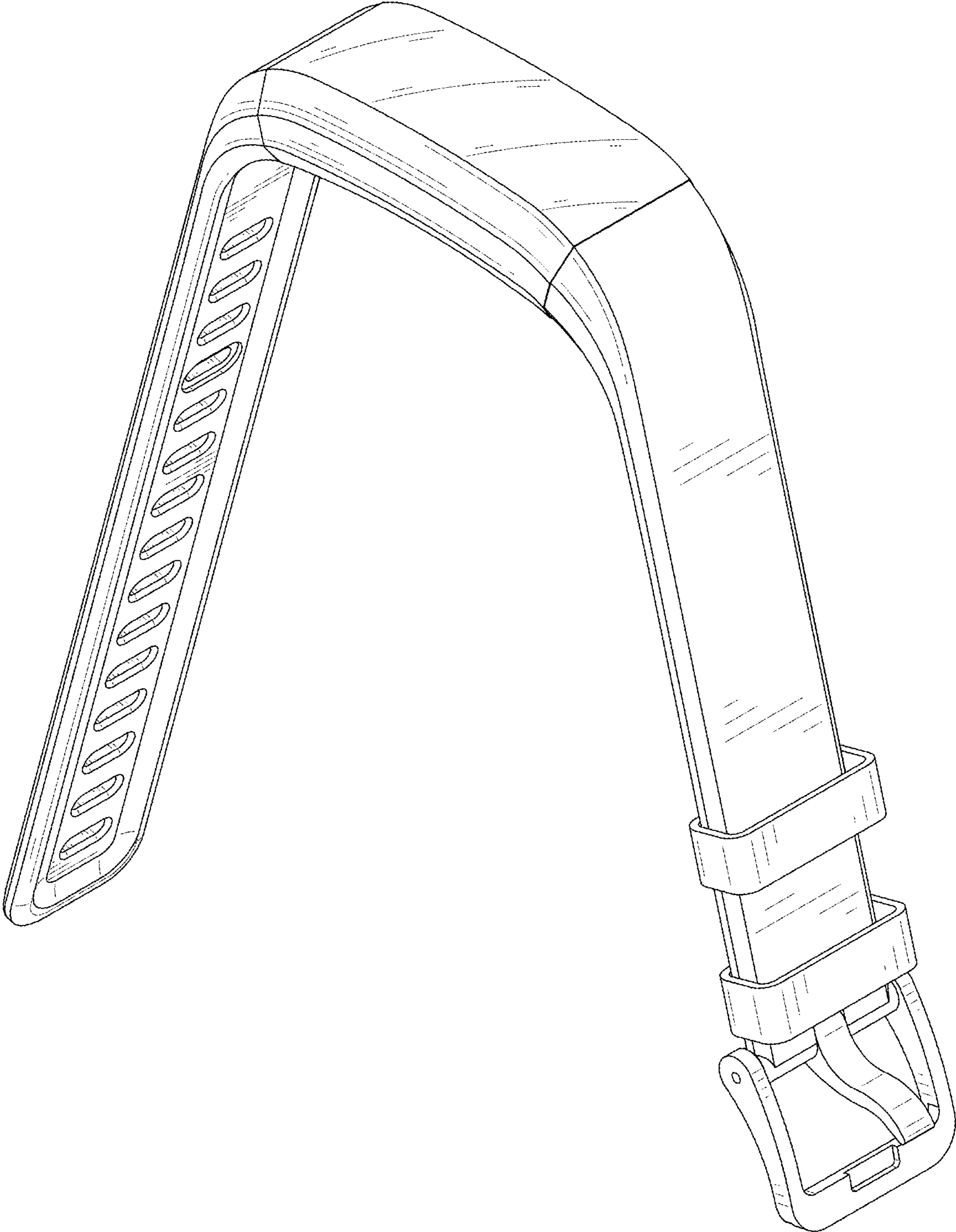


FIG. 1

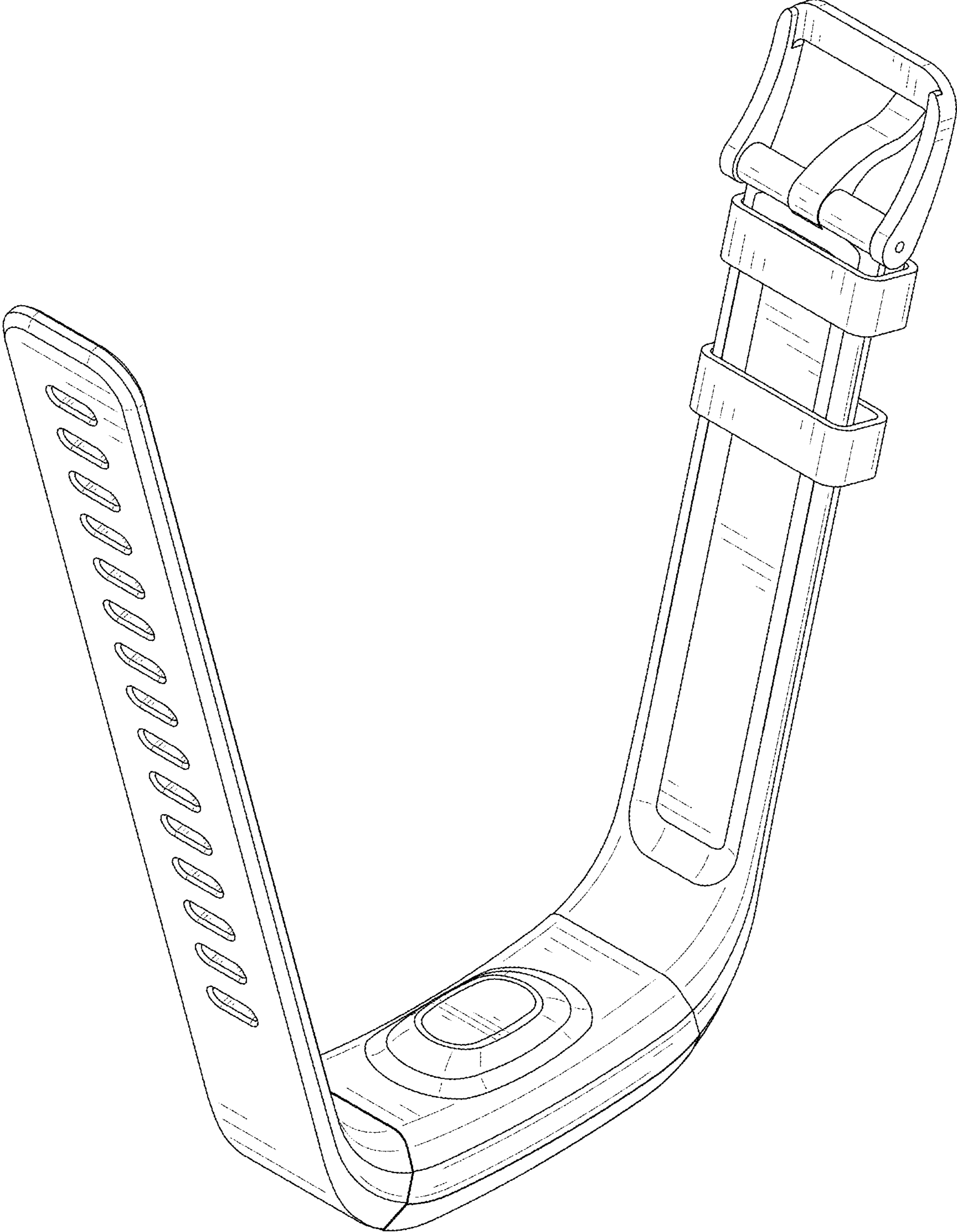


FIG. 2

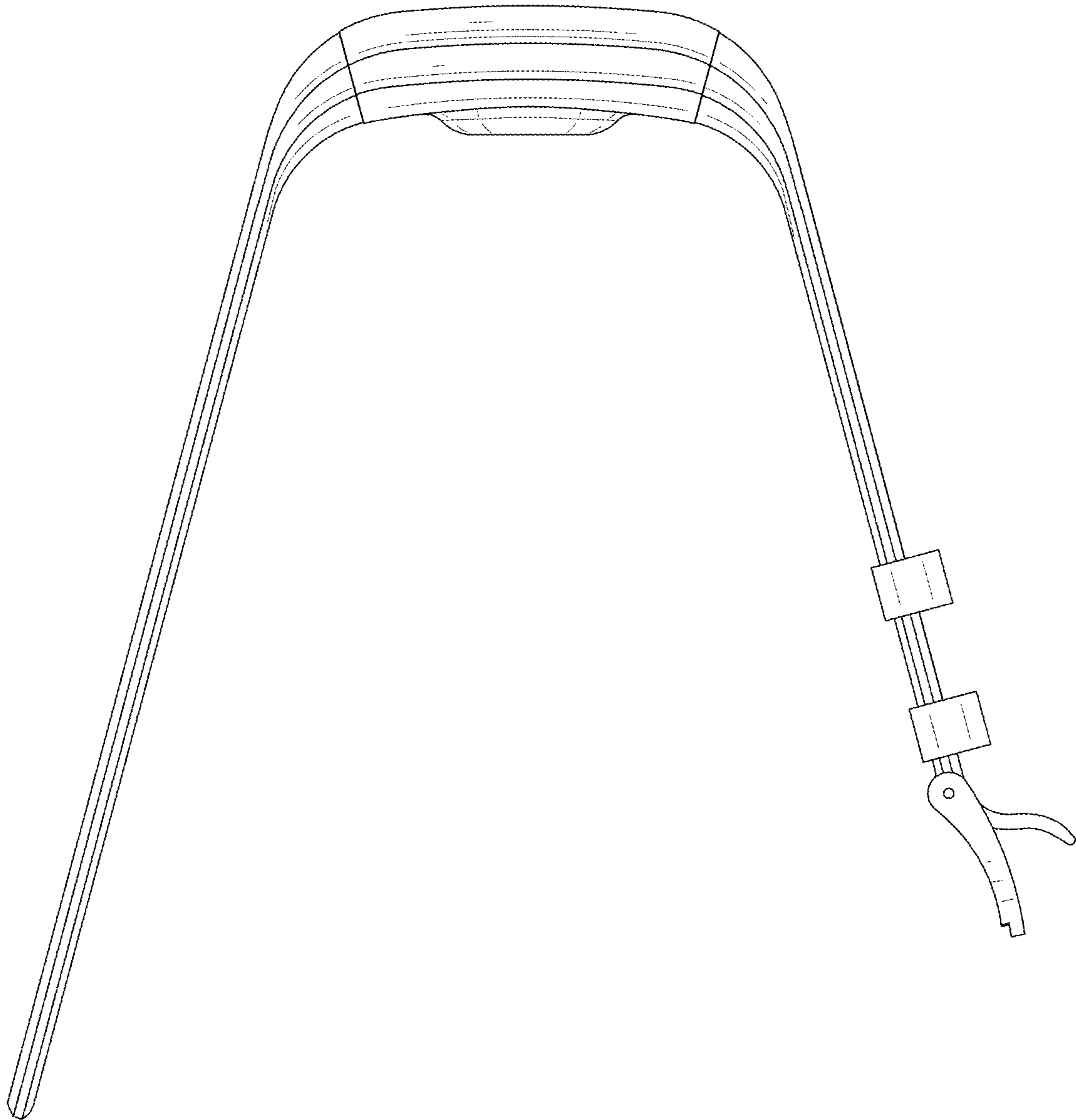


FIG. 3

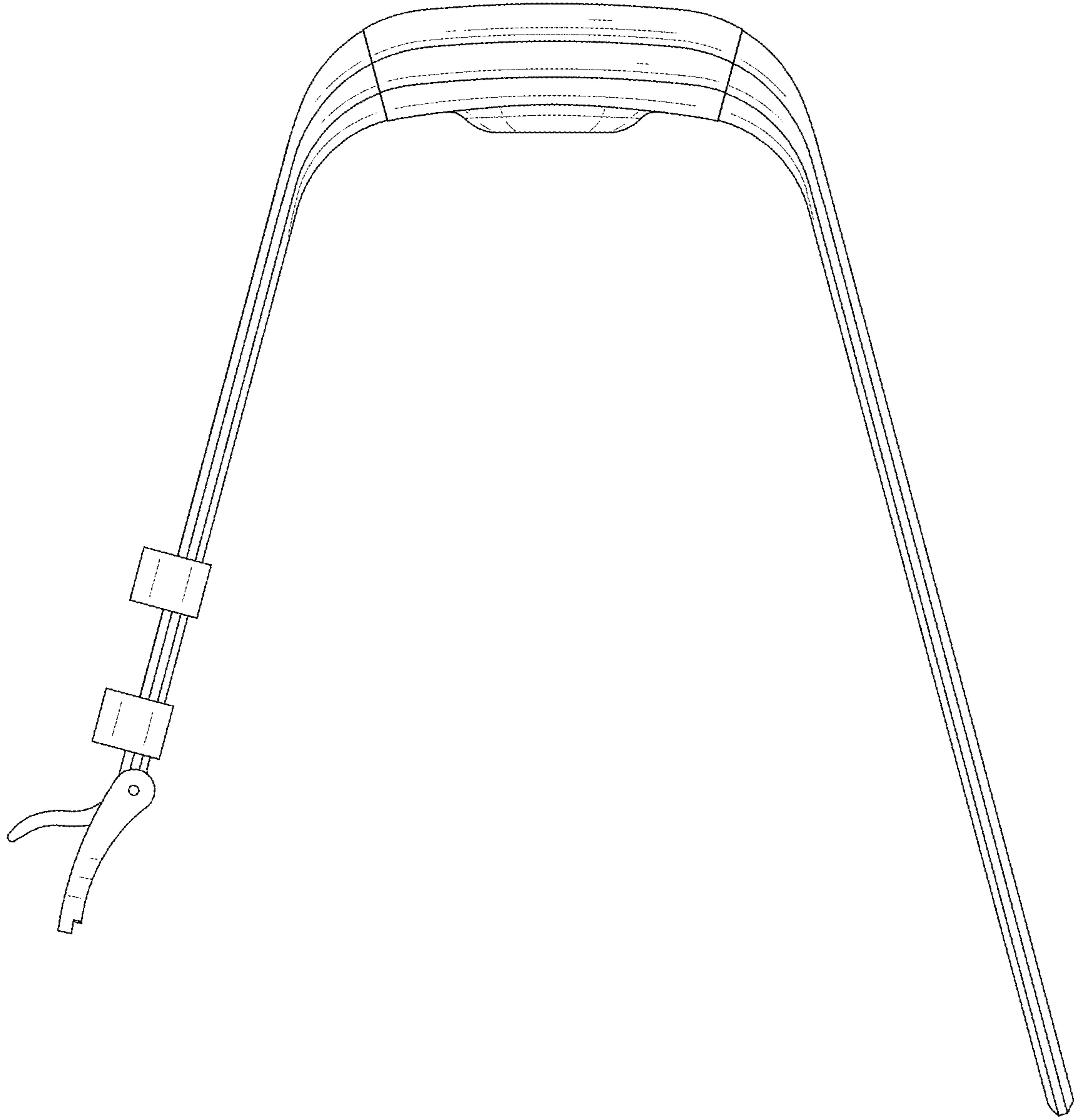


FIG. 4

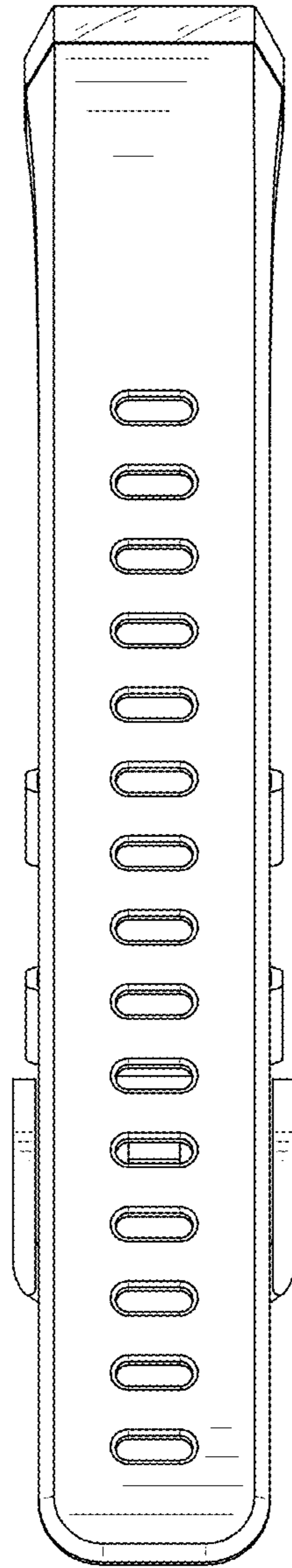


FIG. 5

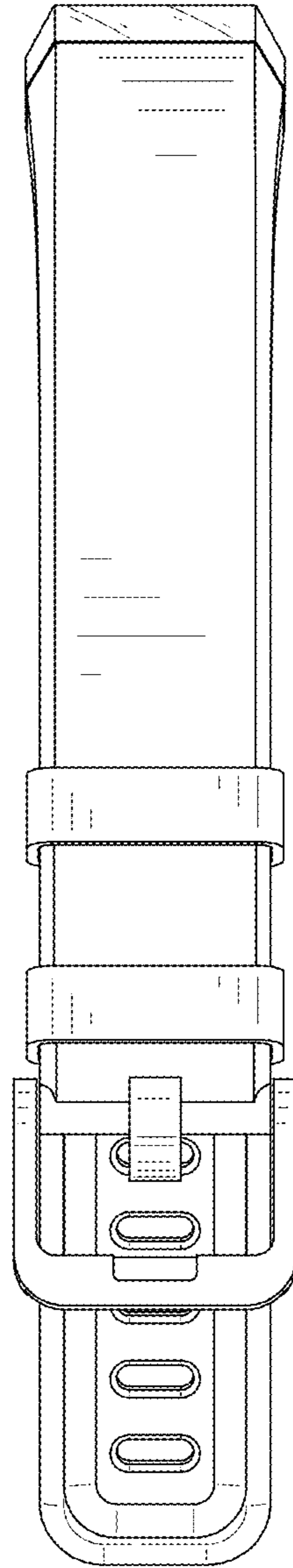


FIG. 6

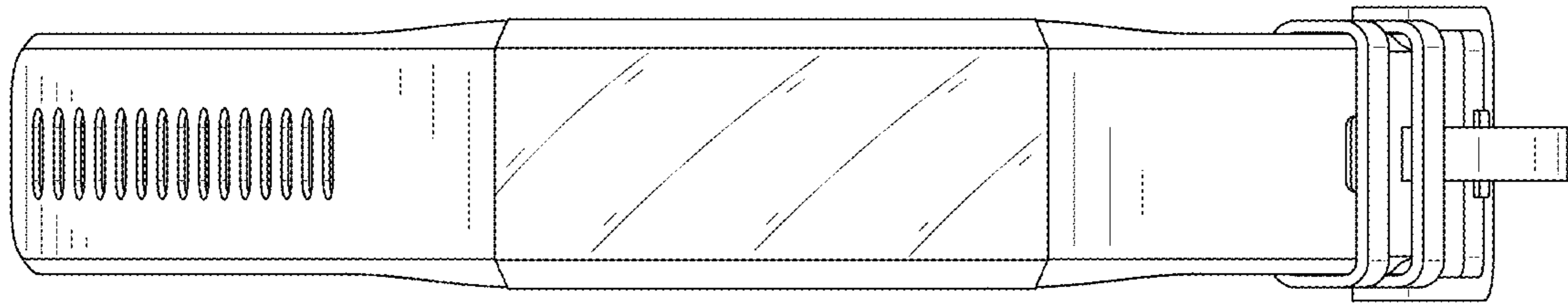


FIG. 7

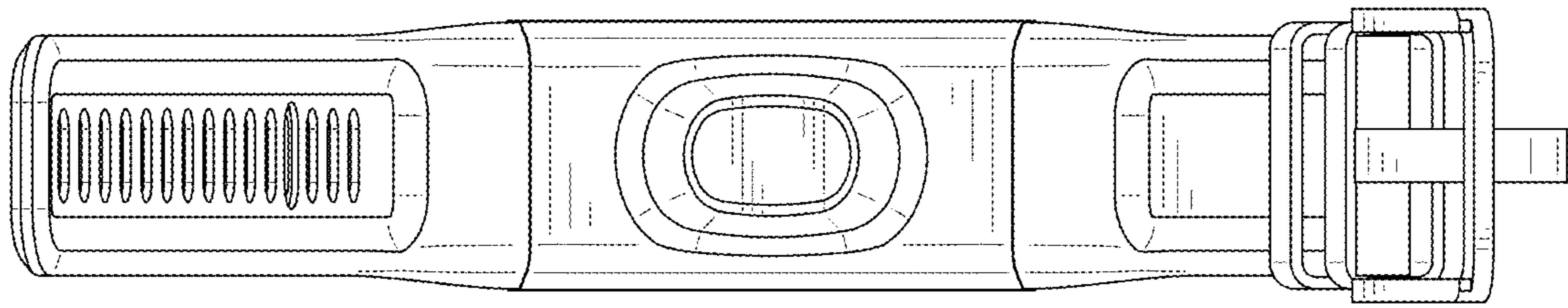


FIG. 8