



US00D917469S

(12) **United States Design Patent**
Zheng

(10) **Patent No.:** **US D917,469 S**

(45) **Date of Patent:** **** Apr. 27, 2021**

- (54) **SMART BRACELET BODY**
- (71) Applicant: **SHENZHEN LOOKCARE INDUSTRY CO., LTD**, Shenzhen (CN)
- (72) Inventor: **Yongjian Zheng**, Shenzhen (CN)
- (73) Assignee: **Shenzhen Lookcare Industry Co., Ltd.**
- (**) Term: **15 Years**
- (21) Appl. No.: **29/683,751**
- (22) Filed: **Mar. 15, 2019**
- (51) **LOC (13) Cl.** **14-02**
- (52) **U.S. Cl.**
USPC **D14/344**
- (58) **Field of Classification Search**
USPC ... D14/138 R, 144, 341, 344, 358, 388, 218,
D14/485-495; D10/30-39, 70, 98;
D11/3, 4, 26, 93-94, 78.1, 79, 86;
D24/167, 169, 186-187, 164
CPC A41D 1/002; A41D 19/0034; G06F 1/04;
G06F 1/08; G06F 1/10; G06F 1/14; G06F
1/1626; G06F 1/1628; G06F 1/163; G06F
1/1635; G06F 1/3203; G06Q 20/10;
G06Q 20/12; G06Q 20/108; G06Q
20/145; H04B 1/3833; H04B 1/385;
H04B 1/3888; H04M 1/02; H04M 1/03;
H04M 1/04; H04M 1/05; H04M 1/667;
H04M 1/6058; Y02B 60/1217
See application file for complete search history.

- D745,005 S * 12/2015 Kim D10/38
- D747,313 S * 1/2016 Song D14/344
- 9,318,907 B2 * 4/2016 Huang G06F 1/1626
- D759,622 S * 6/2016 Dahlberg D10/32
- D784,325 S * 4/2017 Kim D14/341
- D786,861 S * 5/2017 Pu D14/344
- 9,819,915 B2 * 11/2017 Ku G02B 26/101
- 9,980,539 B2 * 5/2018 Webb A44C 5/24
- D837,206 S * 1/2019 Guan D14/344
- D843,864 S * 3/2019 Vandenbussche D10/70
- 10,234,952 B2 * 3/2019 Parvarandeh G06F 1/169
- 10,268,852 B2 * 4/2019 Weng G06F 3/0416
- D856,160 S * 8/2019 Yu D10/32
- D860,033 S * 9/2019 Quan D11/3
- 10,474,192 B2 * 11/2019 Song H02J 50/10

* cited by examiner

Primary Examiner — Sheryl Lane
Assistant Examiner — Calvin E Vansant

(56) **References Cited**

U.S. PATENT DOCUMENTS

- D638,723 S * 5/2011 Ong D10/32
- D734,331 S * 7/2015 Wu D14/344

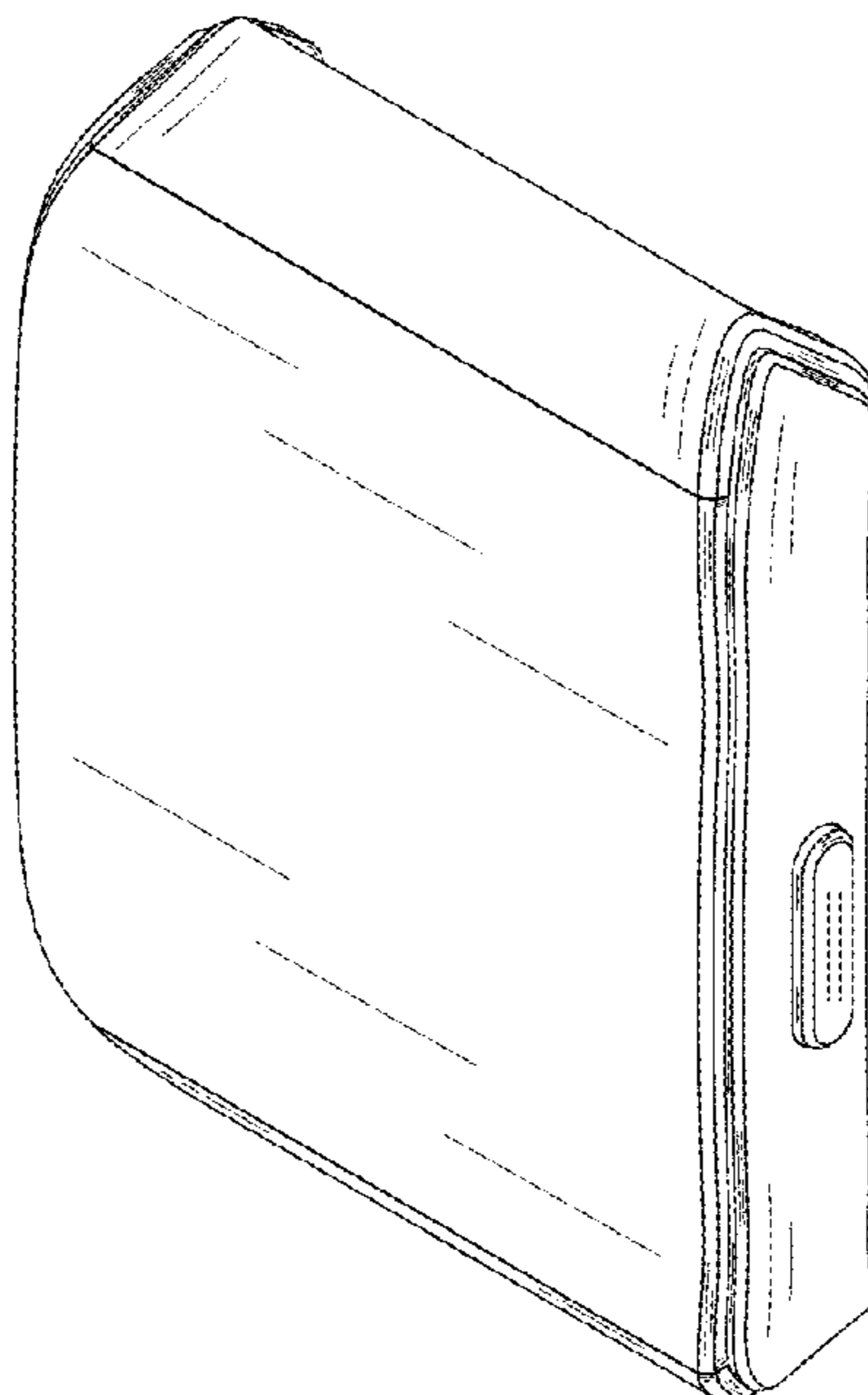
(57) **CLAIM**

The ornamental design for a smart bracelet body, as shown and described.

DESCRIPTION

FIG. 1 is a front view of a smart bracelet body, showing my new design;
 FIG. 2 is a back view thereof;
 FIG. 3 is a left side view thereof;
 FIG. 4 is a right side view thereof;
 FIG. 5 is a top view thereof;
 FIG. 6 is a bottom view thereof;
 FIG. 7 is a perspective view thereof; and,
 FIG. 8 is another perspective view thereof.
 The broken lines show portions of the article not claimed and form no part of the claimed design.

1 Claim, 8 Drawing Sheets



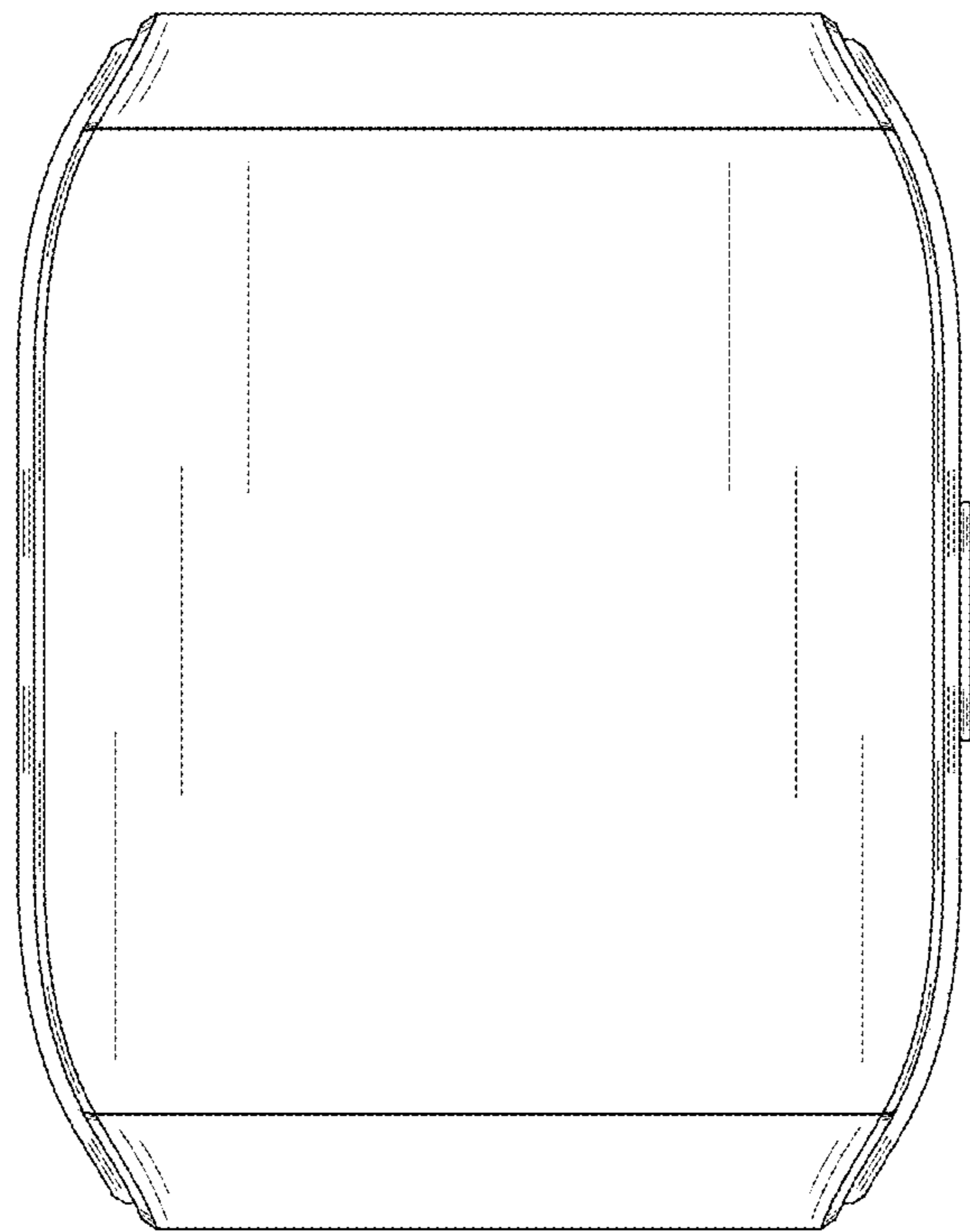


FIG. 1

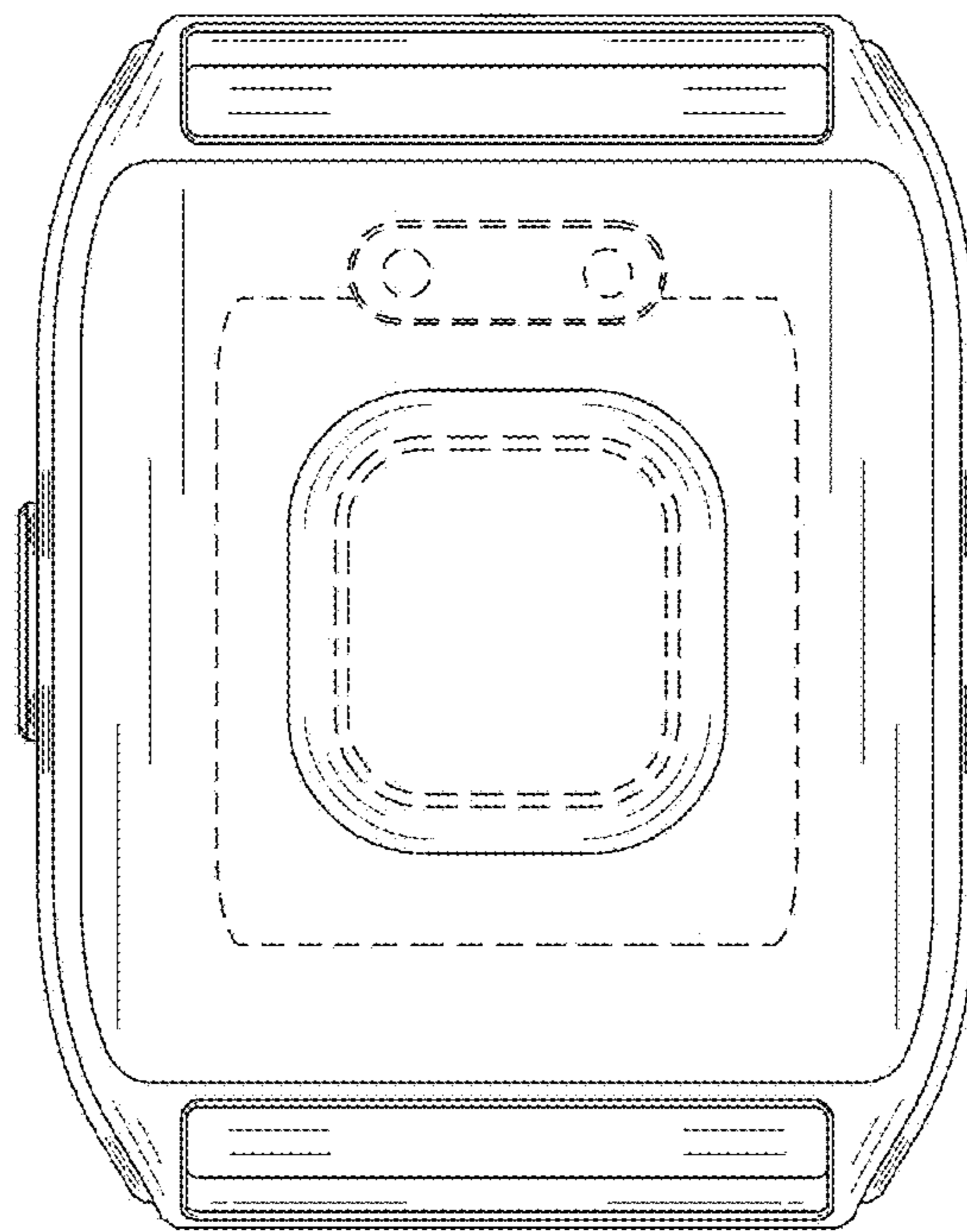


FIG. 2

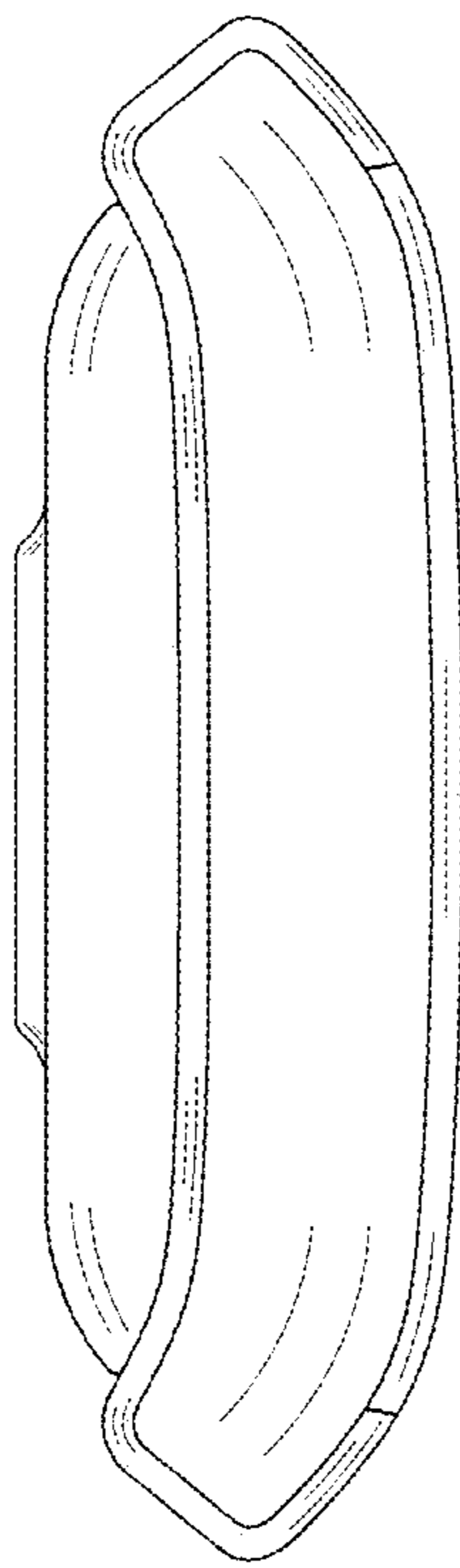


FIG. 3

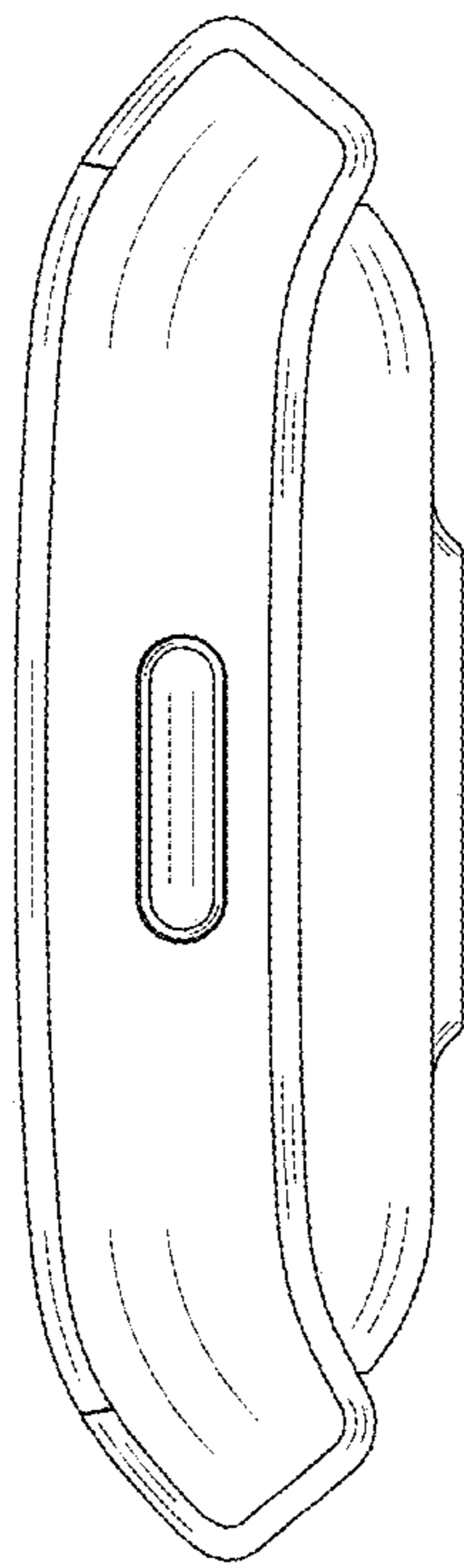


FIG. 4

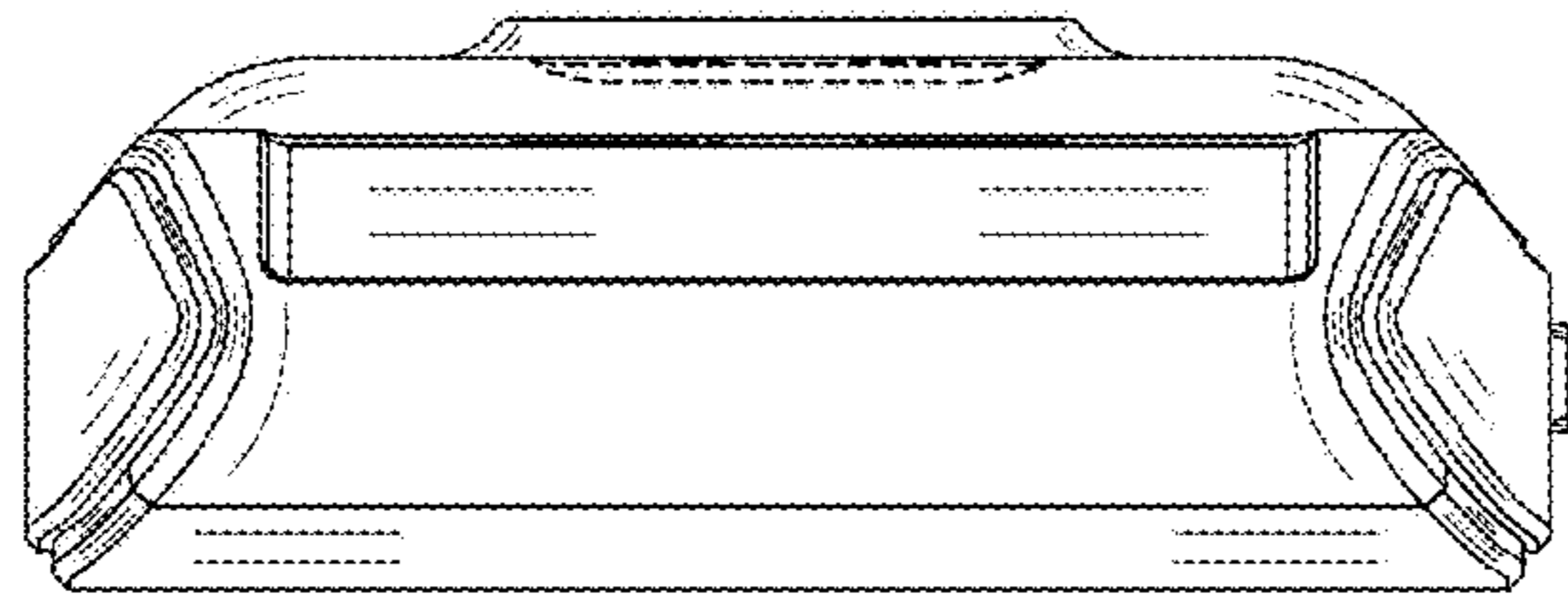


FIG. 5

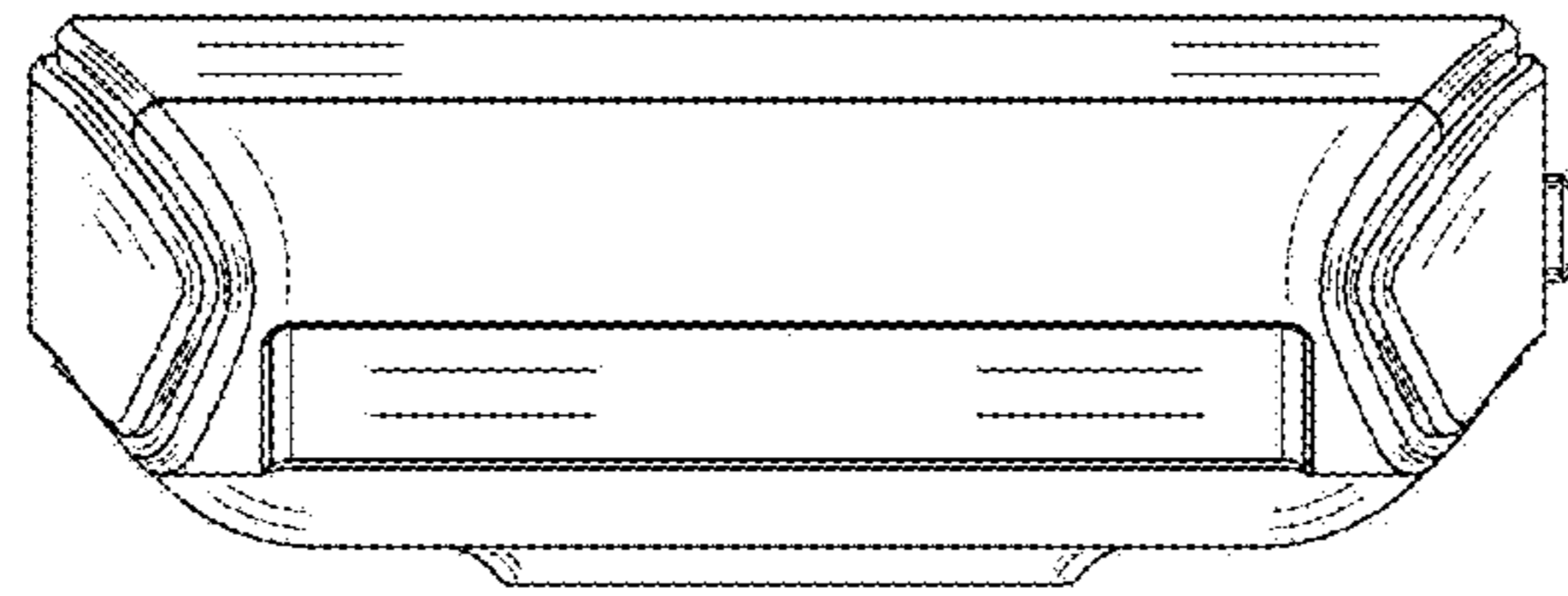


FIG. 6

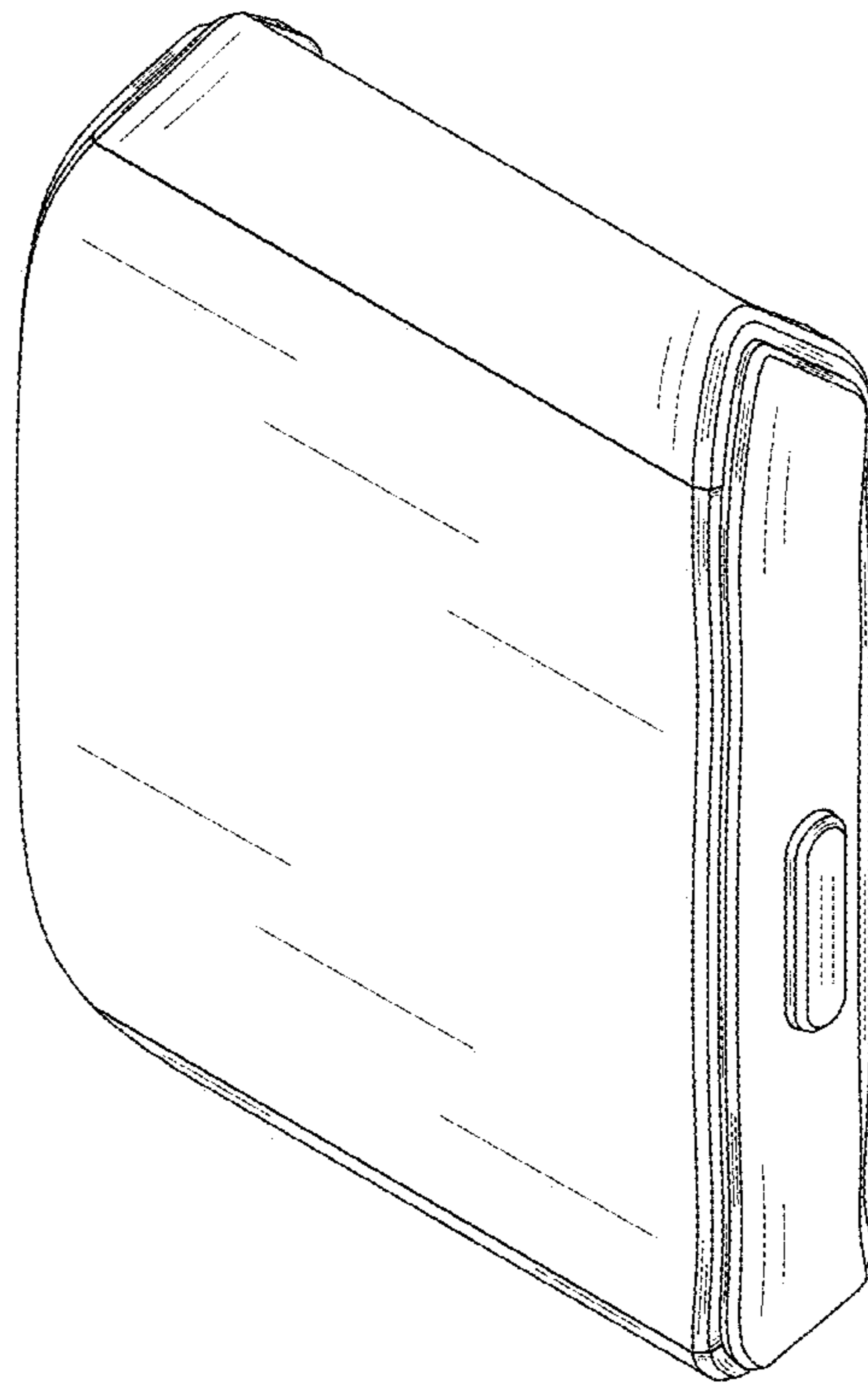


FIG. 7

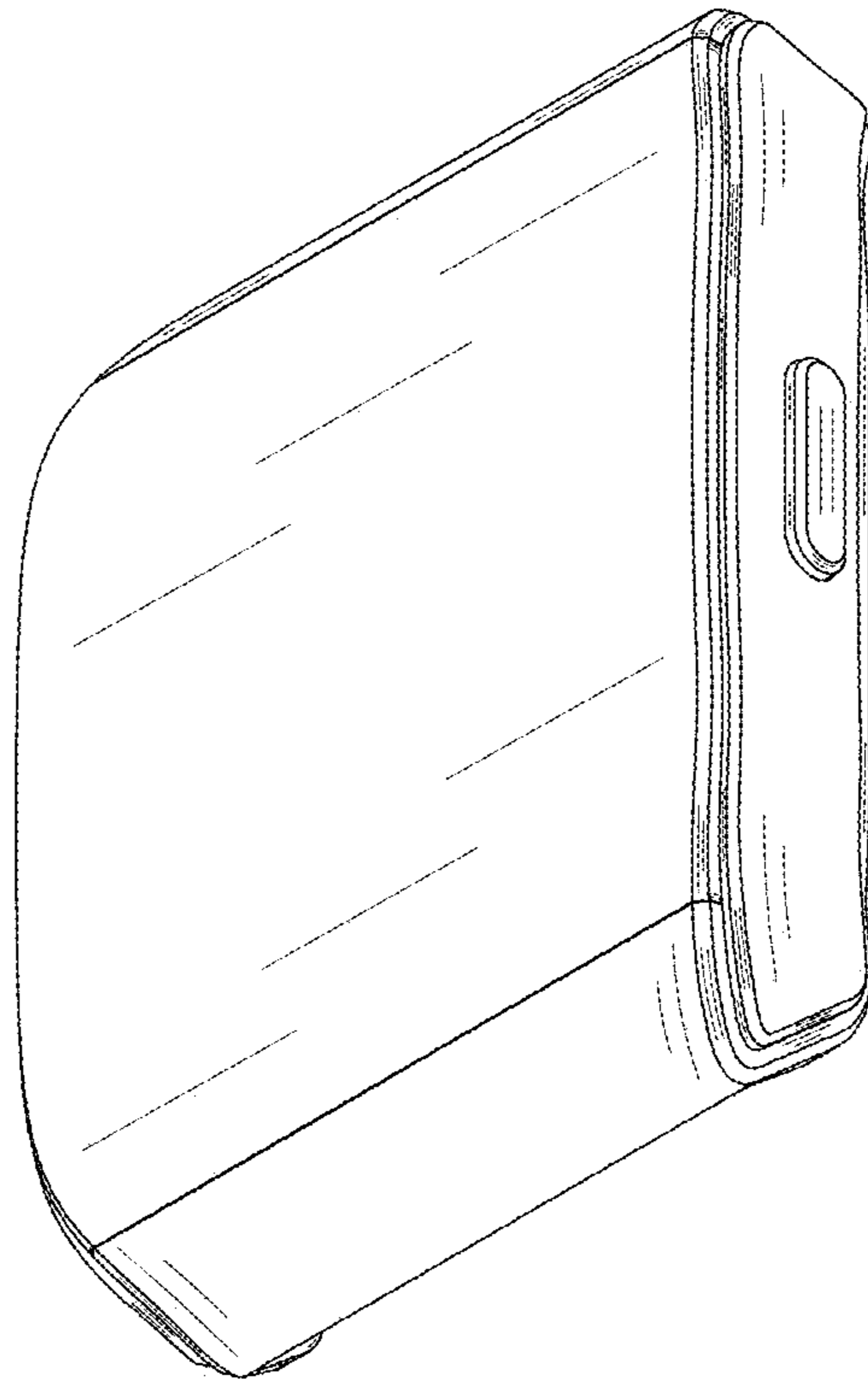


FIG. 8