



US00D917466S

(12) **United States Design Patent** (10) **Patent No.:** **US D917,466 S**  
**Wu et al.** (45) **Date of Patent:** **\*\* Apr. 27, 2021**

(54) **MOBILE COMPUTING DEVICE**

(56) **References Cited**

(71) Applicant: **Quanta Computer Inc.**, Taoyuan (TW)

U.S. PATENT DOCUMENTS

(72) Inventors: **Chien-Hsien Wu**, Taoyuan (TW);  
**Chu-Fu Wang**, Taoyuan (TW);  
**Chang-Ta Miao**, Taoyuan (TW);  
**Gwo-Chyuan Chen**, Taoyuan (TW)

D558,974 S \* 1/2008 Denzer ..... D3/215  
D632,591 S \* 2/2011 Thevenaz ..... D10/31  
D716,247 S \* 10/2014 Yun ..... D10/32  
D736,664 S \* 8/2015 Paradise ..... D11/3  
D757,590 S \* 5/2016 Akana ..... D11/3  
D776,555 S \* 1/2017 Bryant ..... D11/3  
D782,335 S \* 3/2017 White ..... D10/32  
D785,469 S \* 5/2017 Grcic ..... D10/38  
D794,803 S \* 8/2017 Thom ..... D24/169  
D808,842 S \* 1/2018 Ferreira ..... D11/3

(73) Assignee: **QUANTA COMPUTER INC.**,  
Taoyuan (TW)

(Continued)

(\*\*) Term: **15 Years**

(21) Appl. No.: **29/636,380**

*Primary Examiner* — George D. Kirschbaum

(22) Filed: **Feb. 8, 2018**

*Assistant Examiner* — Joseph J Kukella

(30) **Foreign Application Priority Data**

(74) *Attorney, Agent, or Firm* — McClure, Qualey &  
Rodack, LLP

Jan. 8, 2018 (TW) ..... 107300085

(51) **LOC (13) Cl.** ..... **14-02**

(57) **CLAIM**

(52) **U.S. Cl.**  
USPC ..... **D14/344**

The ornamental design for a mobile computing device, as shown and described.

(58) **Field of Classification Search**

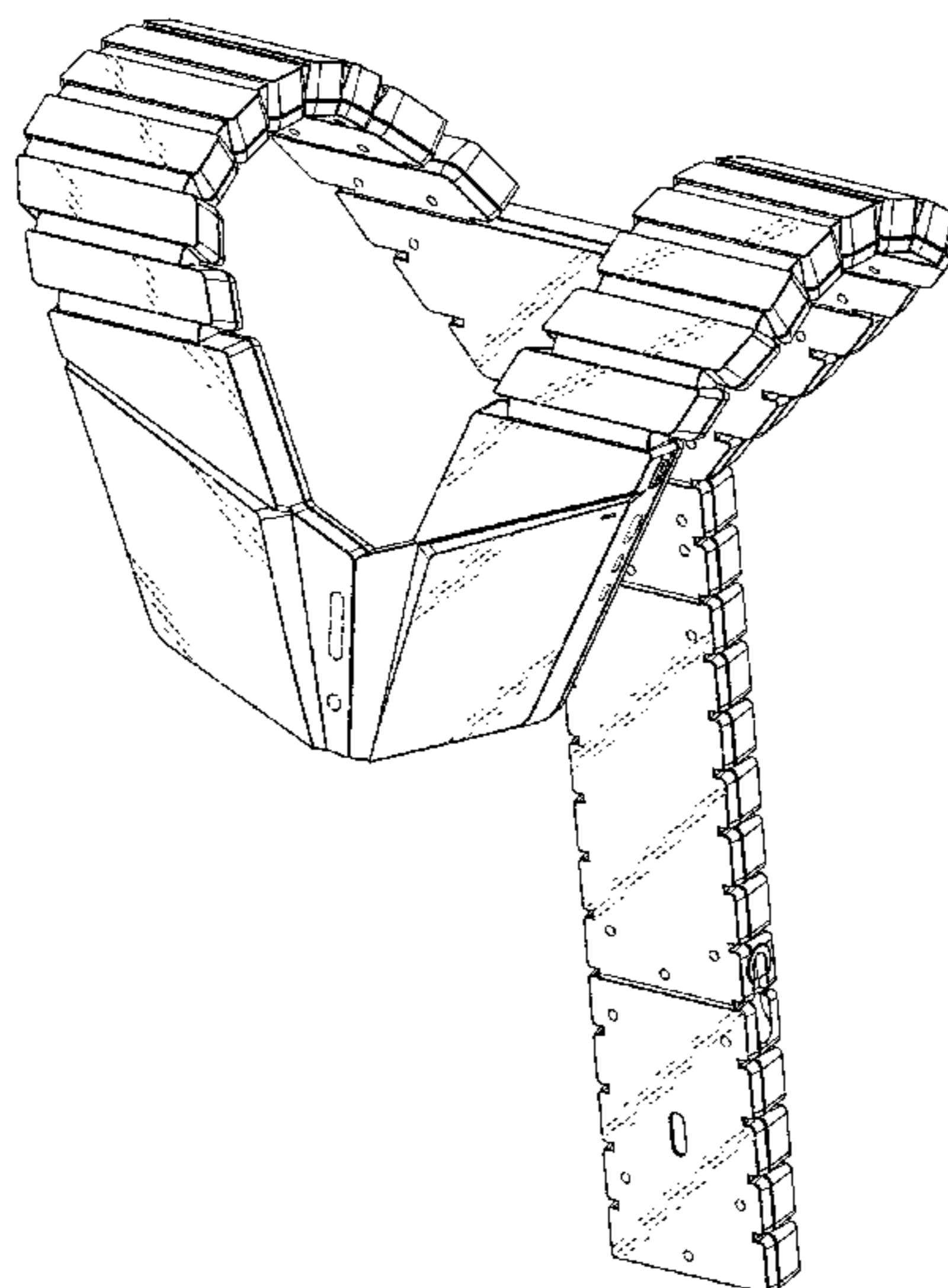
**DESCRIPTION**

USPC ... D14/138 R, 144, 341, 344, 358, 388, 218,  
D14/485-495; D10/30-39, 70, 98;  
D11/3, 4, 26, 93-94, 78.1, 79, 86;  
D24/167, 169, 186-187, 164; D21/420,  
D21/333; D2/626, 750, 761, 828, 829;  
D3/222, 223, 224  
CPC ..... A41D 1/002; A41D 19/0034; G06F 1/04;  
G06F 1/08; G06F 1/10; G06F 1/14; G06F  
1/1626; G06F 1/1628; G06F 1/163; G06F  
1/1635; G06F 1/3203; G06Q 20/10;  
G06Q 20/12; G06Q 20/108; G06Q  
20/145; H04B 1/3833; H04B 1/385;  
H04B 1/3888; H04M 1/02; H04M 1/03;  
H04M 1/04; H04M 1/05; H04M 1/667;  
H04M 1/6058; Y02B 60/1217; F41H  
5/0485; F41H 1/02; F41C 33/041; F41C  
33/048

FIG. 1 is a front perspective view of a mobile computing device, in accordance with our new and ornamental design; FIG. 2 is a front view thereof; FIG. 3 is a rear view thereof; FIG. 4 is a left side view thereof; FIG. 5 is a right side view thereof; FIG. 6 is a top plan view thereof; FIG. 7 is a bottom plan view thereof; FIG. 8 is a rear perspective view thereof; FIG. 9 is a front perspective thereof in a flat state; and, FIG. 10 is a rear perspective thereof in a flat state. The broken lines in the drawings depict portions of the mobile computing device that form no part of the claimed design.

See application file for complete search history.

**1 Claim, 10 Drawing Sheets**



(56)

**References Cited**

U.S. PATENT DOCUMENTS

10,185,364	B2 *	1/2019	Seo .....	G06F 1/1652
D853,380	S *	7/2019	Ranade .....	D14/344
10,345,853	B2 *	7/2019	Wu .....	A44C 5/0015
D859,665	S *	9/2019	Soulet de Brugiere .....	D24/187
D861,882	S *	10/2019	Abreu .....	D24/186
D864,955	S *	10/2019	Ranade .....	D14/344
D872,614	S *	1/2020	Gurung .....	D11/3
10,599,186	B2 *	3/2020	Cho .....	H04M 1/0202
2008/0287770	A1 *	11/2008	Kurzweil .....	A61B 5/0295 600/388

\* cited by examiner

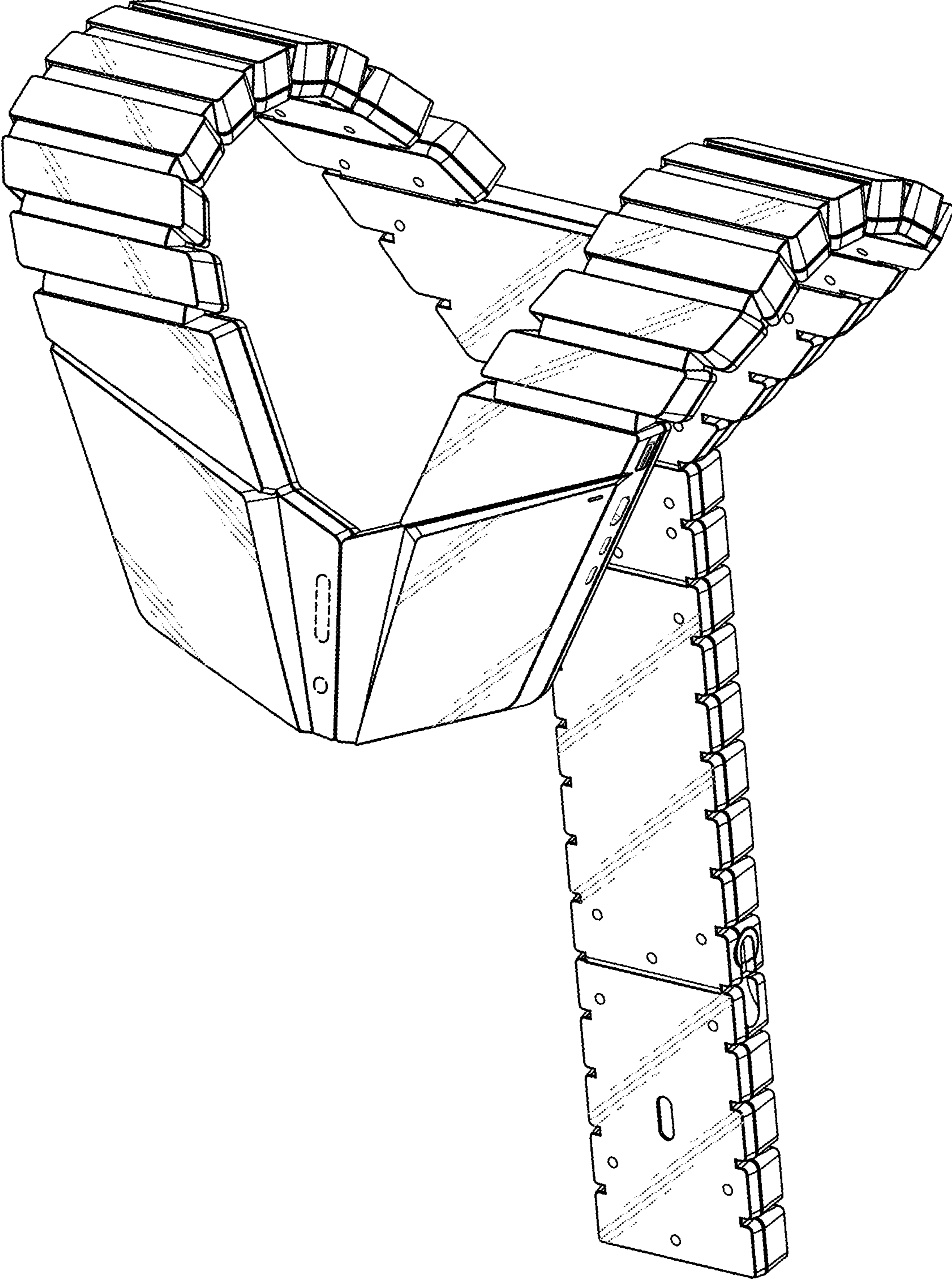


FIG. 1

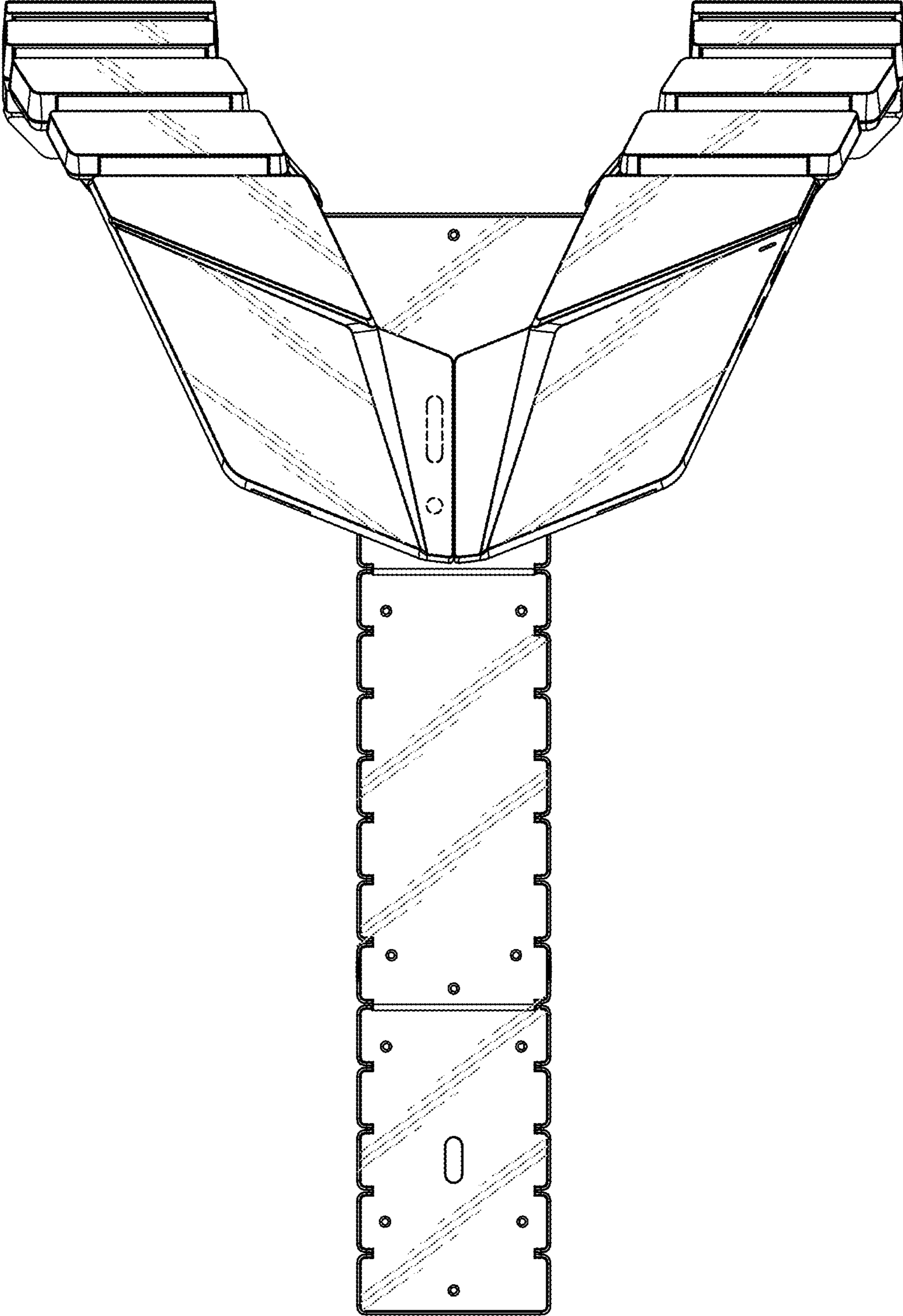


FIG. 2

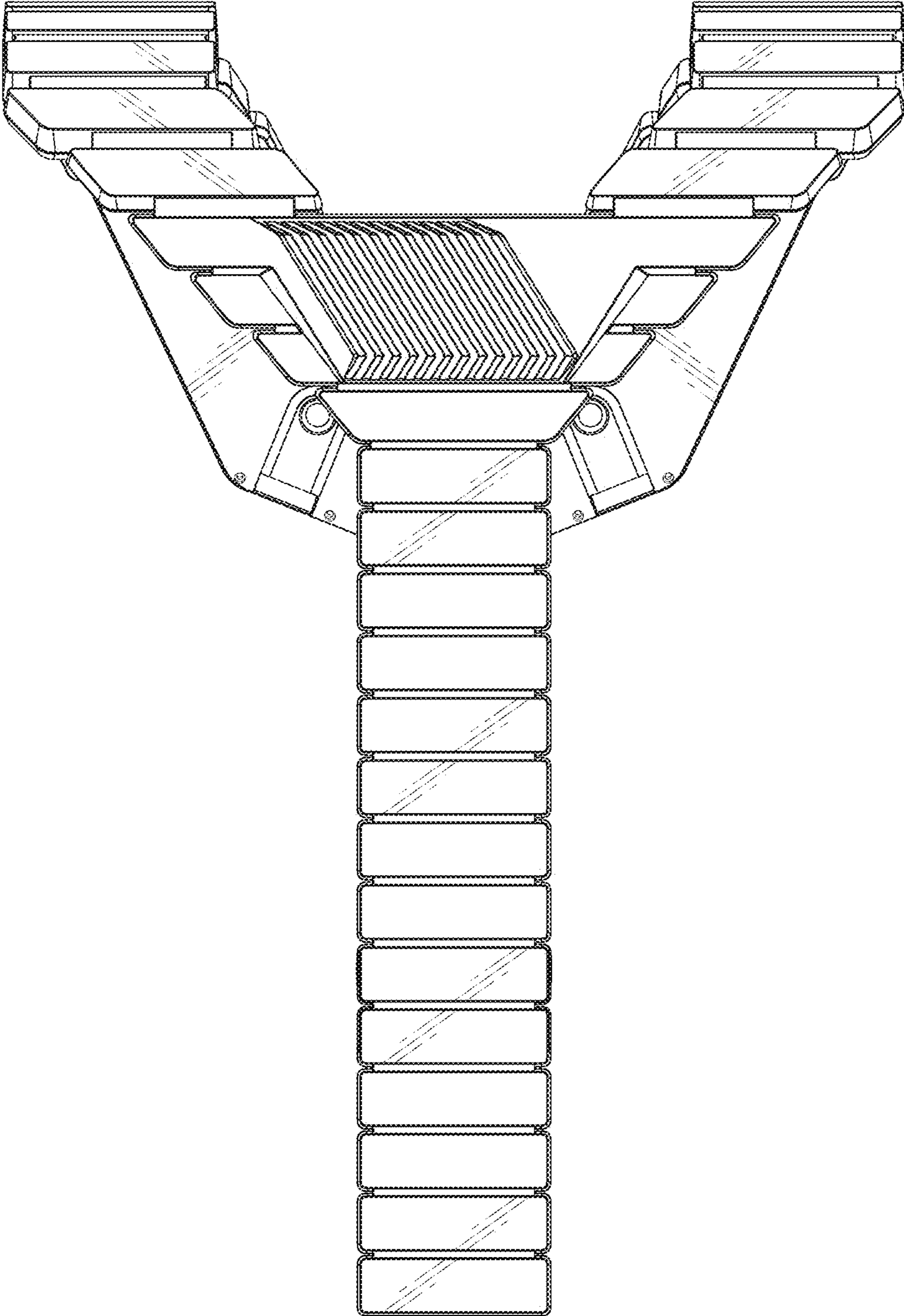


FIG. 3

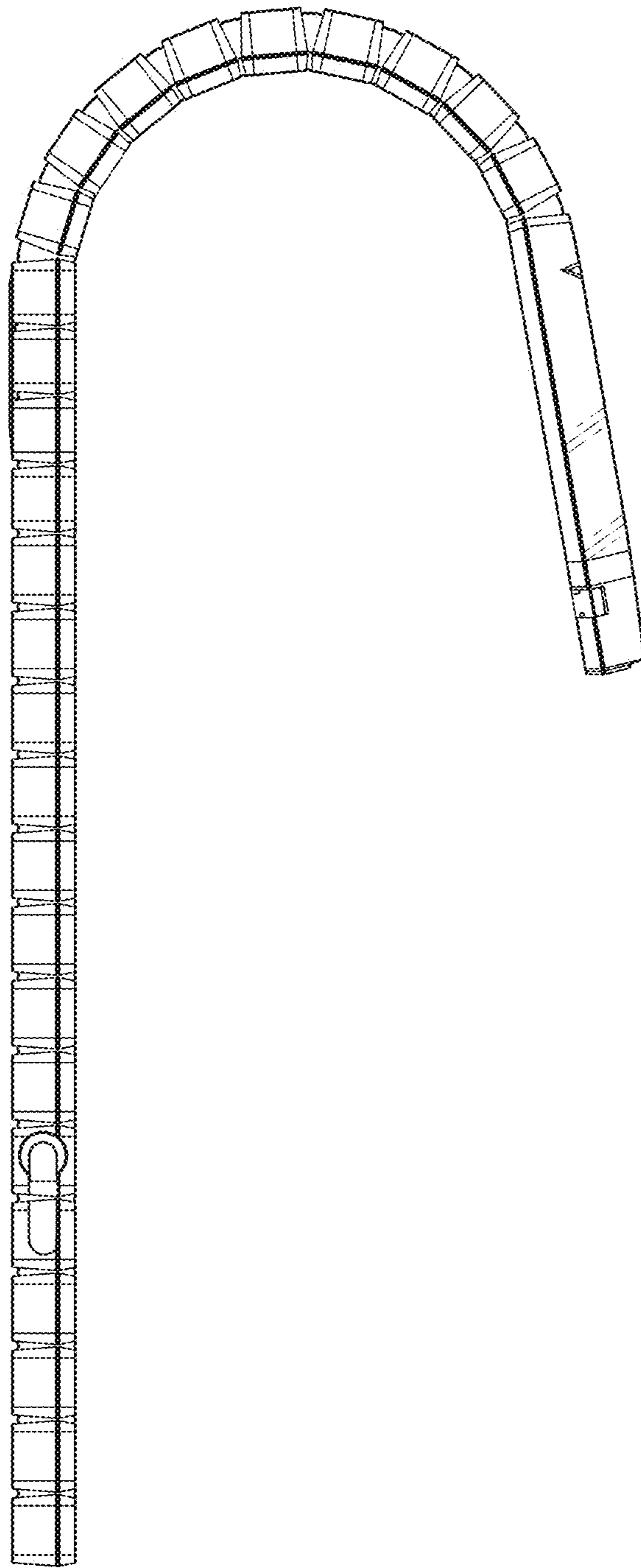


FIG. 4

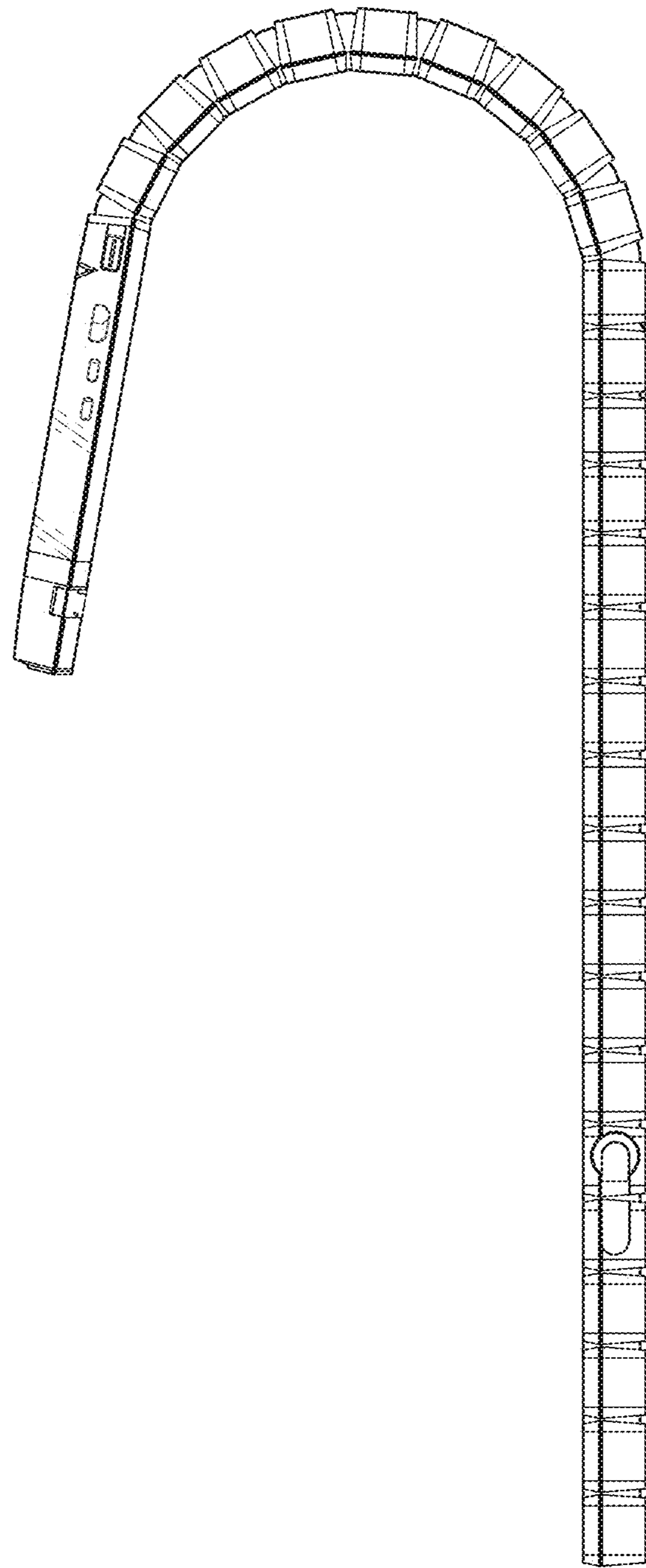


FIG. 5

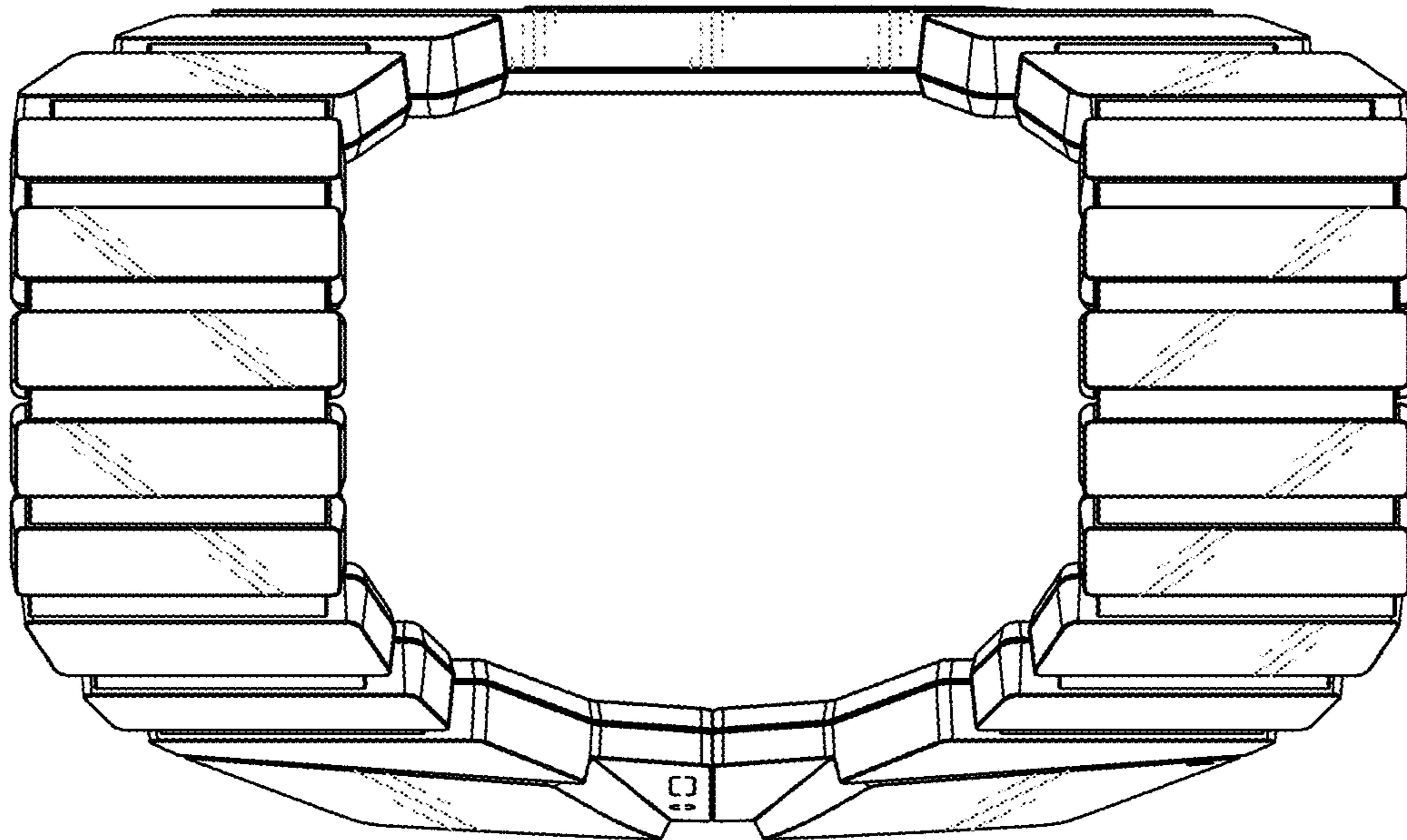


FIG. 6



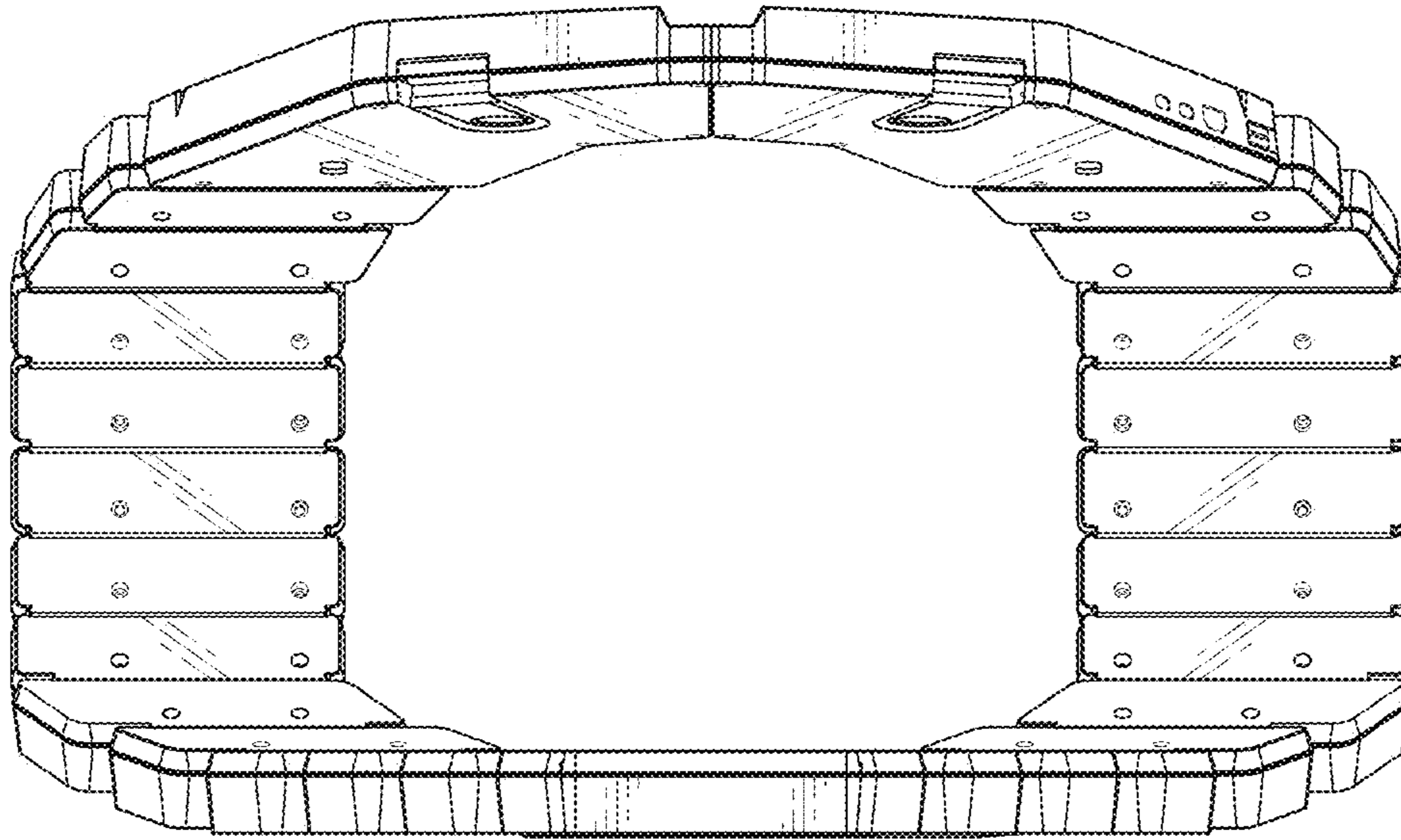


FIG. 7

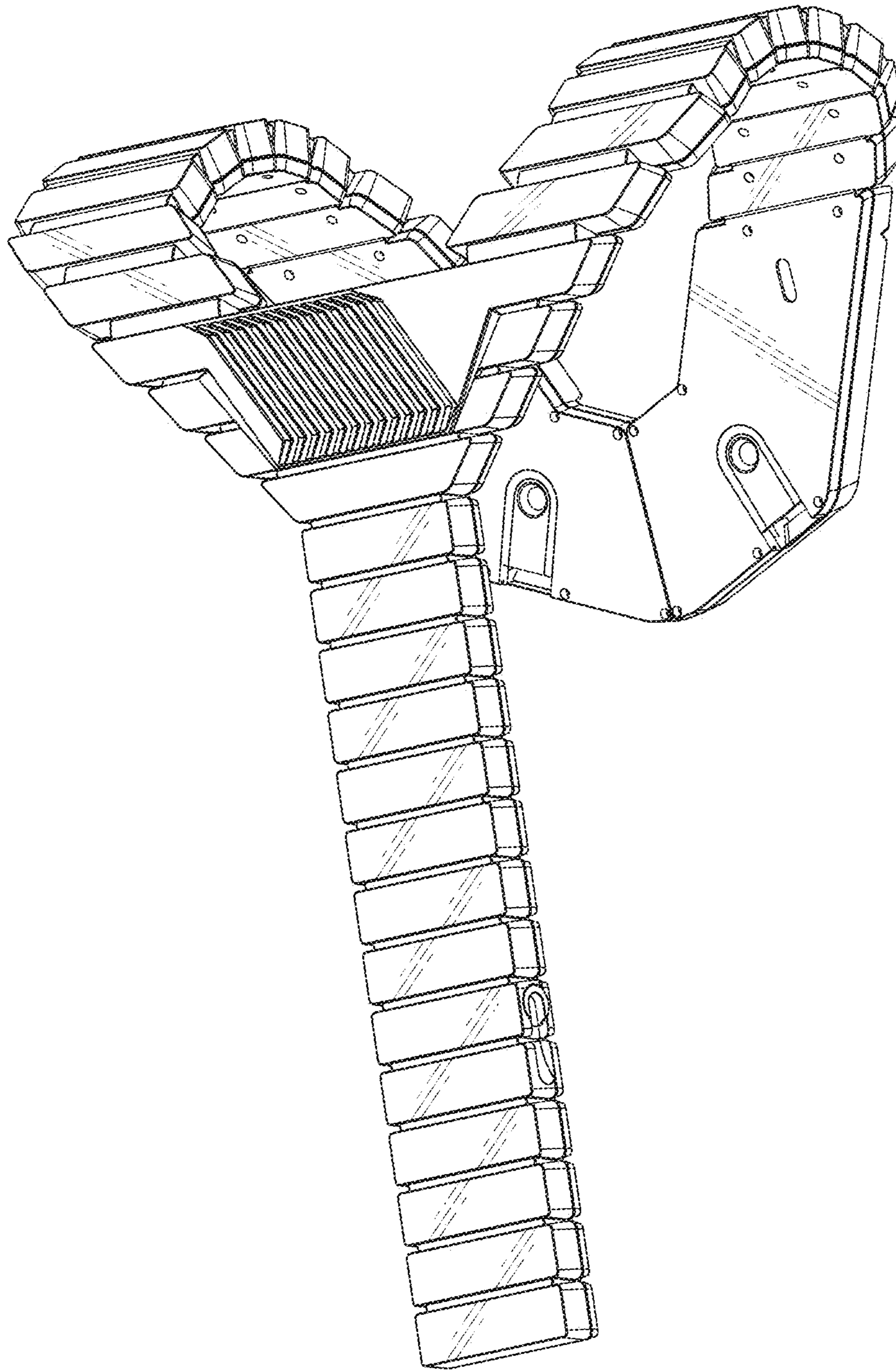


FIG. 8

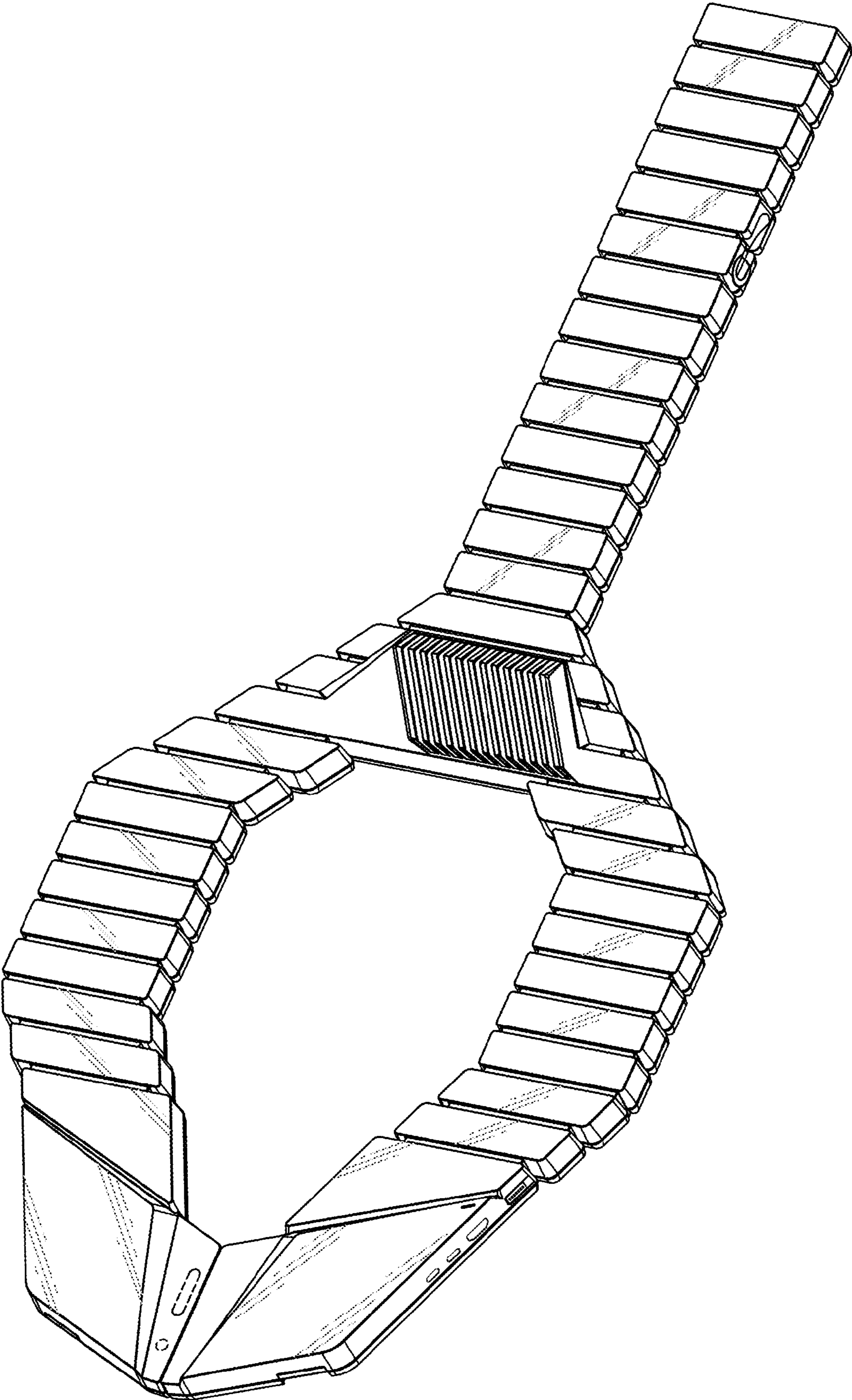


FIG. 9

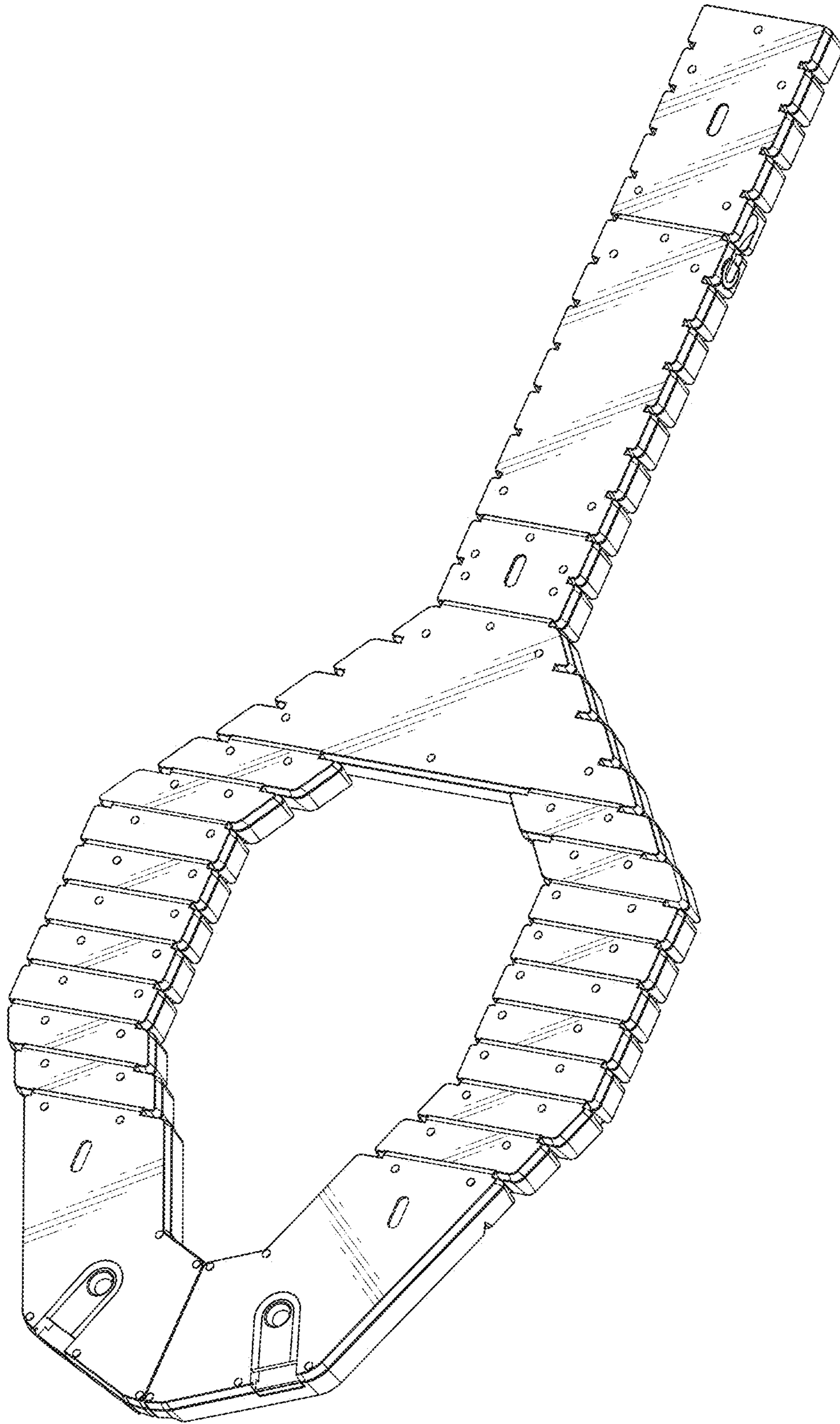


FIG. 10