



US00D917465S

(12) **United States Design Patent**
Zhang et al.

(10) **Patent No.:** **US D917,465 S**
(45) **Date of Patent:** **** Apr. 27, 2021**

(54) **CONTROL TERMINAL WITH DISPLAY**

(71) Applicant: **YEALINK (XIAMEN) NETWORK TECHNOLOGY CO., LTD.**, Fujian (CN)

(72) Inventors: **Jiancheng Zhang**, Fujian (CN);
Jingfeng Su, Fujian (CN)

(73) Assignee: **YEALINK (XIAMEN) NETWORK TECHNOLOGY CO., LTD.**, Xiamen (CN)

(**) Term: **15 Years**

(21) Appl. No.: **29/680,542**

(22) Filed: **Feb. 17, 2019**

(30) **Foreign Application Priority Data**

Oct. 19, 2018 (CN) 201830585439.4

(51) **LOC (13) Cl.** **14-02**

(52) **U.S. Cl.**
USPC **D14/342**; D14/341

(58) **Field of Classification Search**
USPC D14/129–130, 137, 138 AA, 138 AB, D14/138 AC, 138 AD, 138 C, 138 G, D14/138 R, 147, 203.3–203.8, 218, 240, D14/247, 248, 315–318, 341–347, 371, D14/374, 388–389, 420, 426, 496
CPC G06F 1/1613; G06F 1/1626; G06F 3/0488; G06F 3/04886; H04M 1/725; H04M 1/0202; H04M 1/0266

See application file for complete search history.

(56) **References Cited**

U.S. PATENT DOCUMENTS

D585,399 S * 1/2009 Hwang D14/130
D592,625 S * 5/2009 Hwang D14/130
D639,267 S * 6/2011 DeLorenzo D14/142

D733,126 S * 6/2015 Sung D14/341
D733,127 S * 6/2015 Sung D14/341
D740,804 S * 10/2015 Hovdal D14/341

(Continued)

FOREIGN PATENT DOCUMENTS

CN 201830585439.4 * 7/2019
CN 202030050770.3 * 8/2020

OTHER PUBLICATIONS

Yealink CTP20, date not available, [retrieved Sep. 28, 2020], Retrieved from Internet, URL: <<https://vkonf.com/producto/collaboration-touch-panel-ctp20/>> (Year: 2020).*

(Continued)

Primary Examiner — Barbara Fox
Assistant Examiner — Aram Kwon

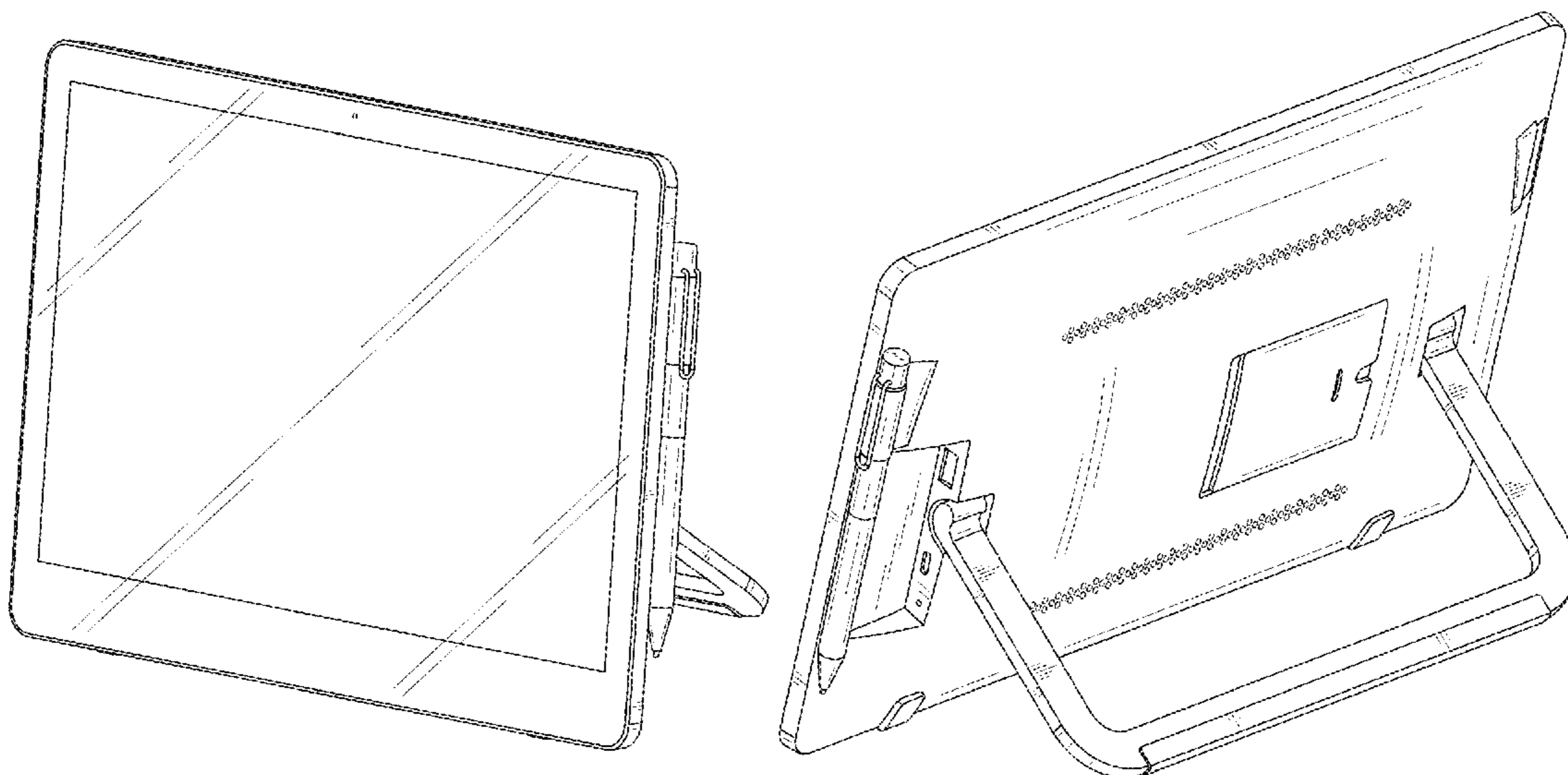
(57) **CLAIM**

The ornamental design for a control terminal with display, as shown and described.

DESCRIPTION

FIG. 1 is a front elevational view of a control terminal with display showing our new design;
FIG. 2 is a rear elevational view thereof;
FIG. 3 is a left side view thereof;
FIG. 4 is a right side view thereof;
FIG. 5 is a top plan view thereof;
FIG. 6 is a bottom plan view thereof;
FIG. 7 is a front and right side perspective view thereof;
FIG. 8 is a top, rear and right side perspective view thereof; and,
FIG. 9 is a top, rear and left side perspective view thereof.
The broken lines in the drawings illustrate portions of the control terminal with display which form no part of the claimed design. The oblique shade lines in the drawings represent a reflective surface.

1 Claim, 7 Drawing Sheets



(56)

References Cited

U.S. PATENT DOCUMENTS

D750,066 S * 2/2016 Lin D14/341
D819,018 S * 5/2018 Tsai D14/341
D826,930 S * 8/2018 Iida D14/341
2009/0321609 A1 * 12/2009 Wang G06F 1/166
248/685
2017/0218674 A1 * 8/2017 Shen G06F 1/166

OTHER PUBLICATIONS

VC500 Video Conferencing Endpoint, date not available, [retrieved Sep. 28, 2020], Retrieved from Internet, URL: <<https://www.yealink.com/product/video-conferencing-solutions-vc500>> (Year: 2020).*

* cited by examiner

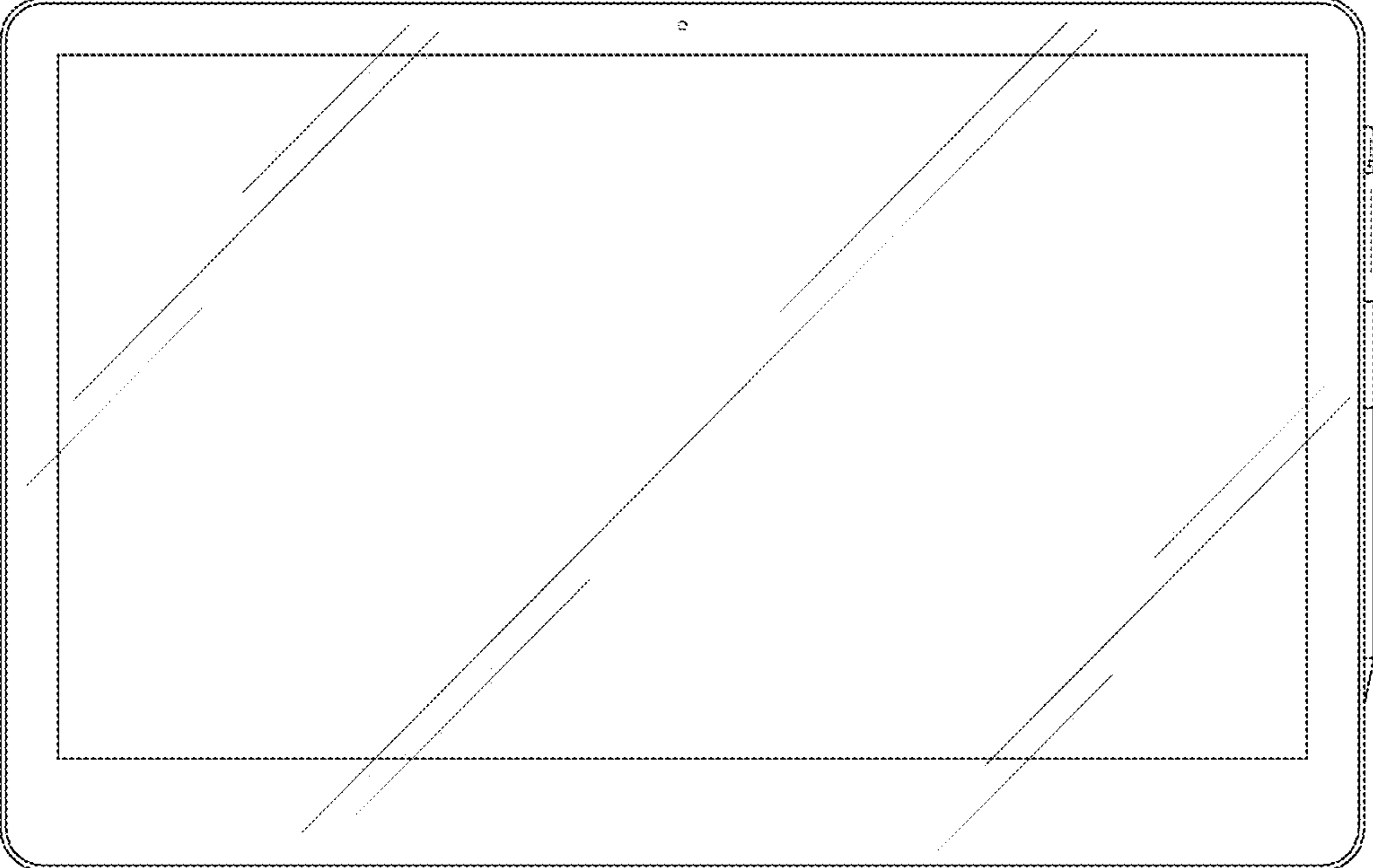


FIG.1

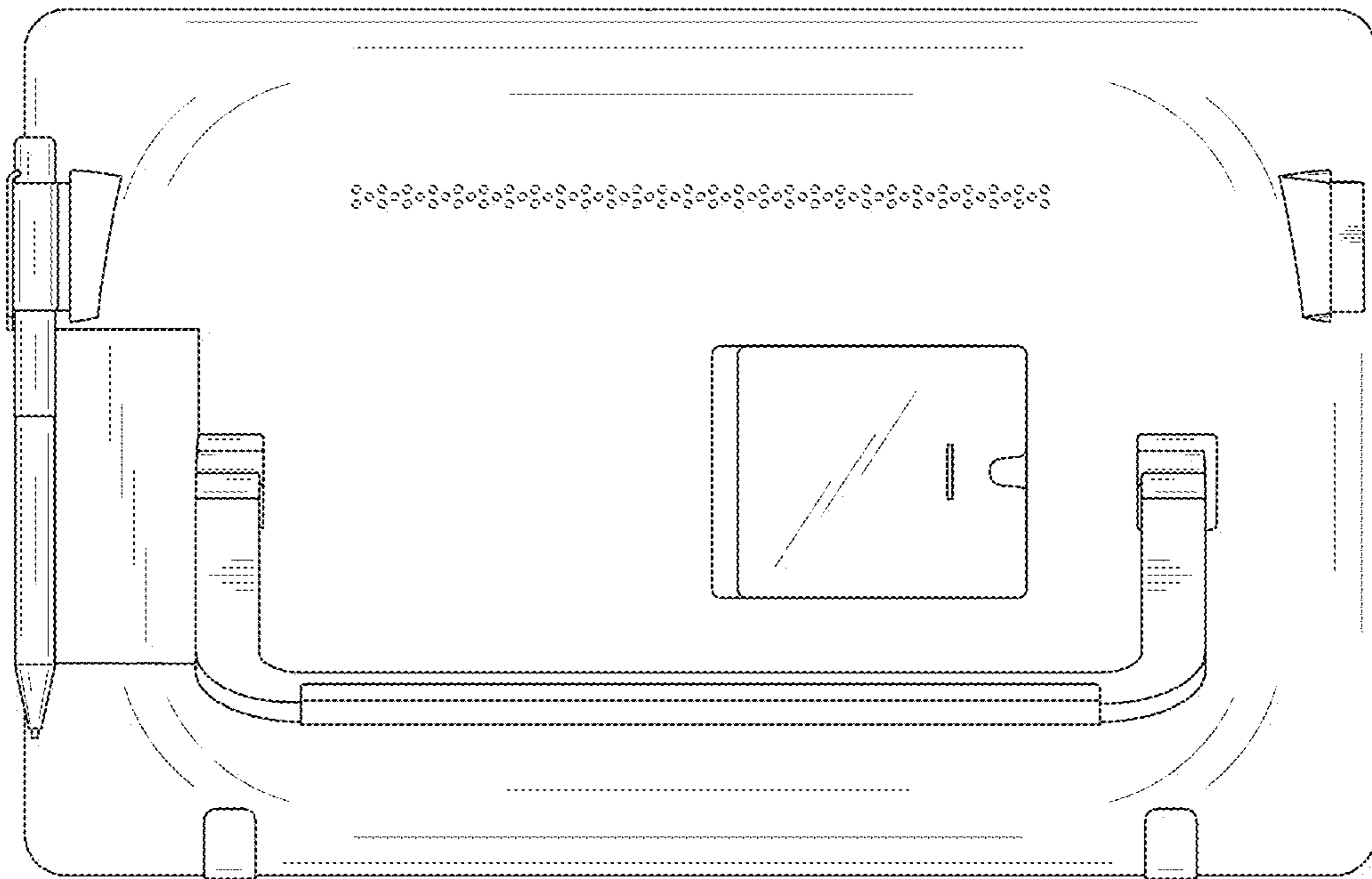


FIG.2

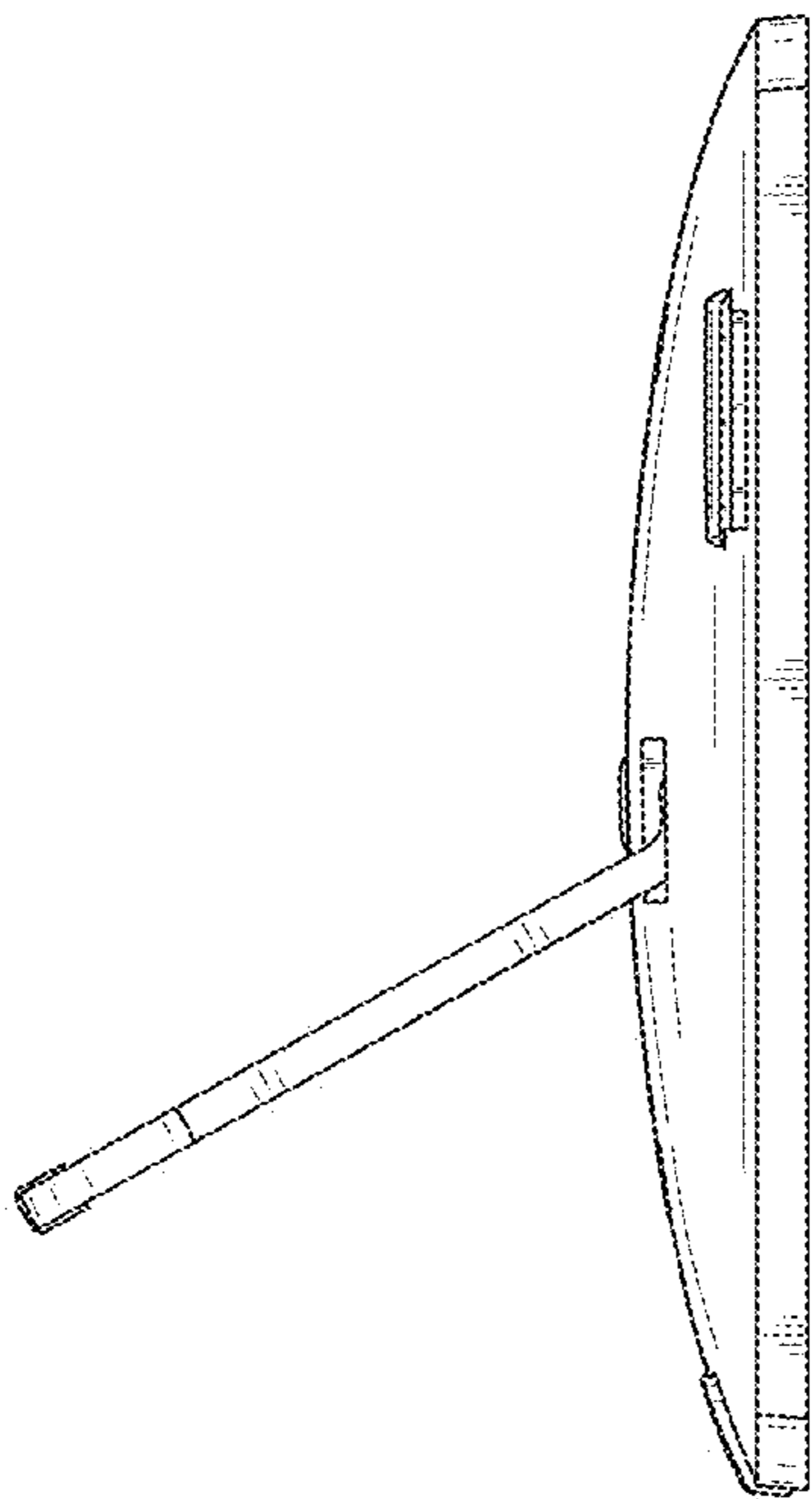


FIG.3

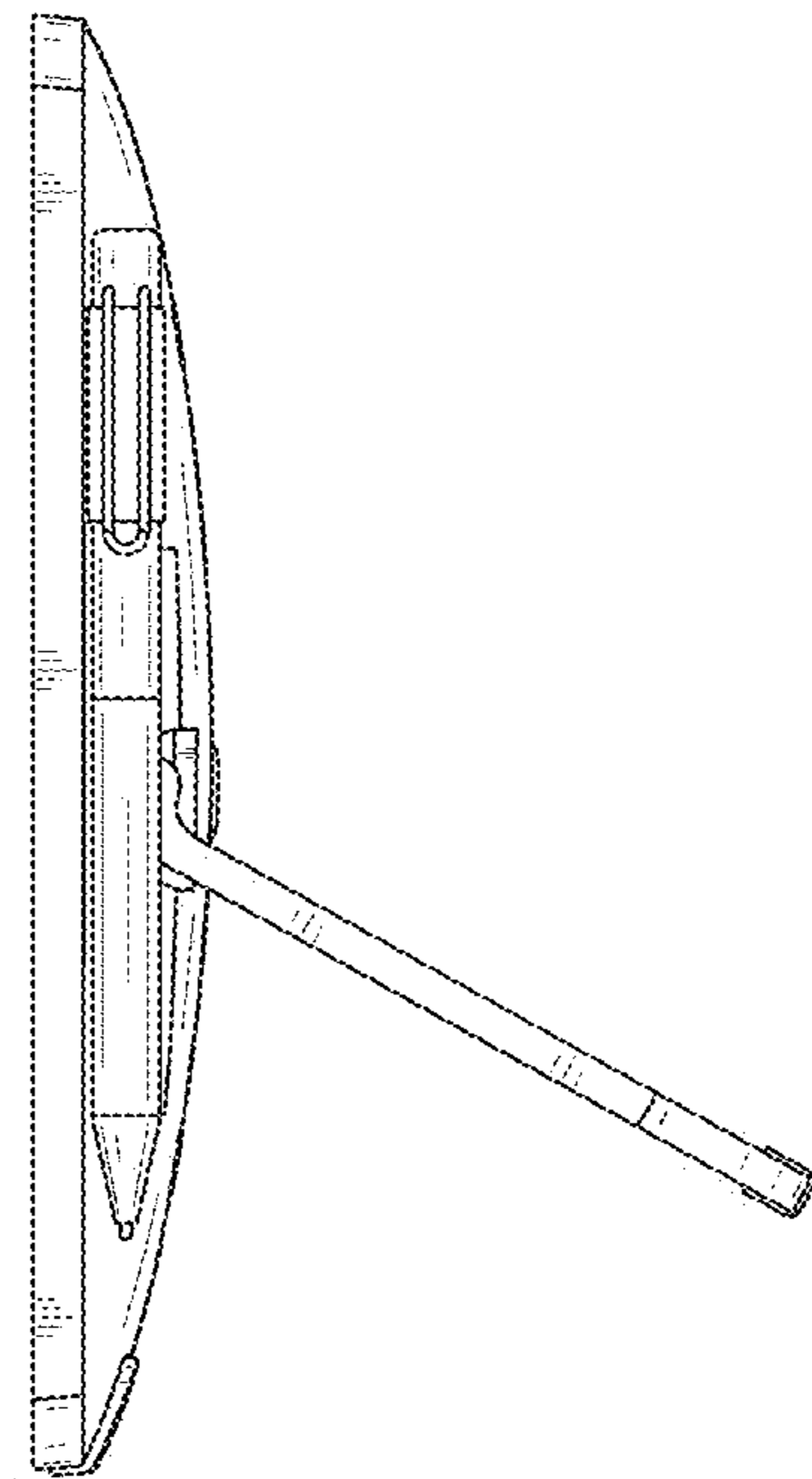


FIG.4

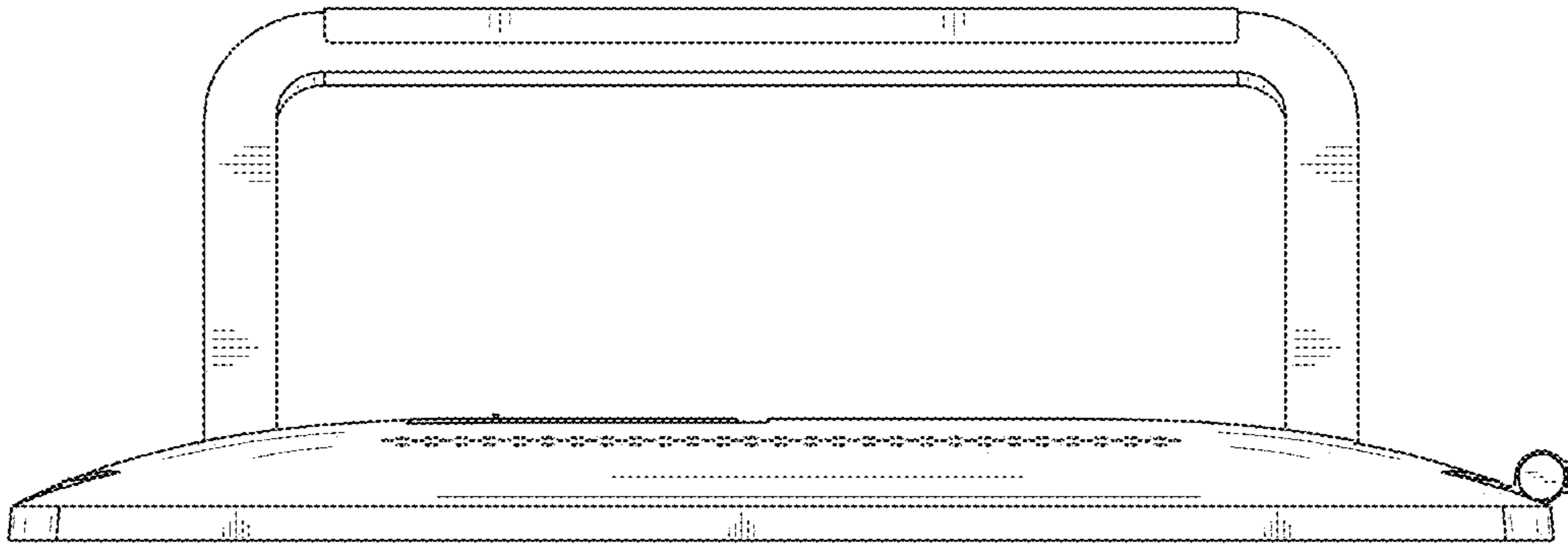


FIG.5

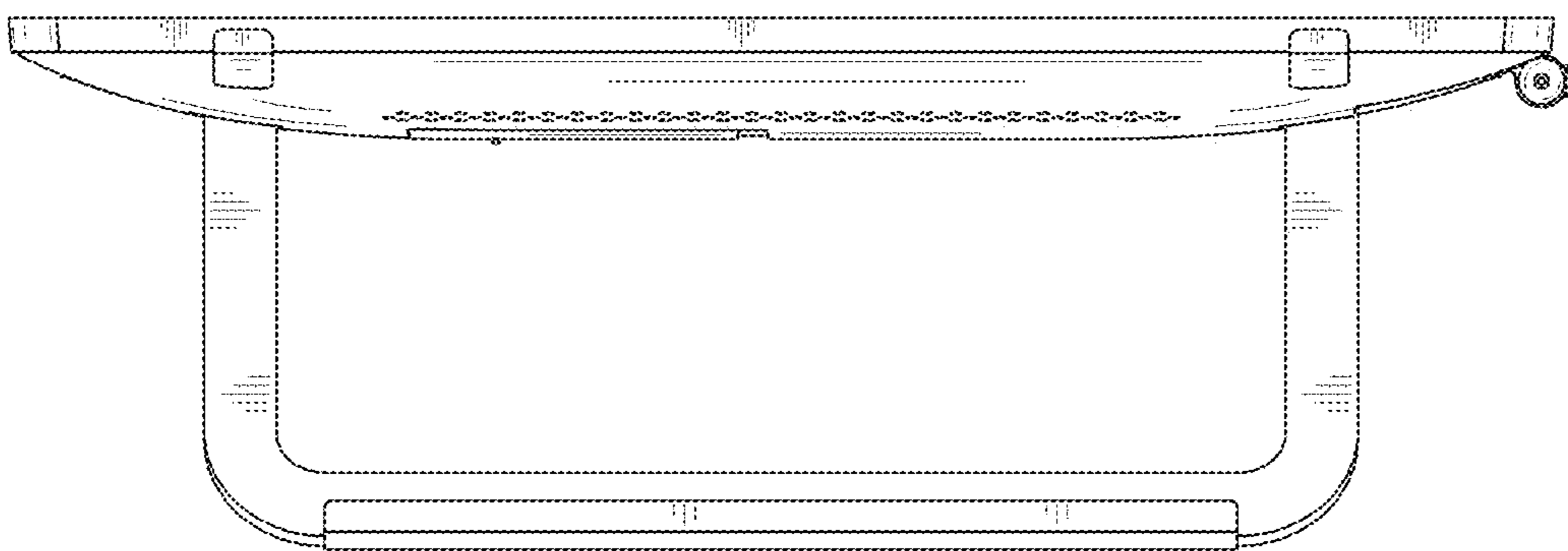


FIG.6

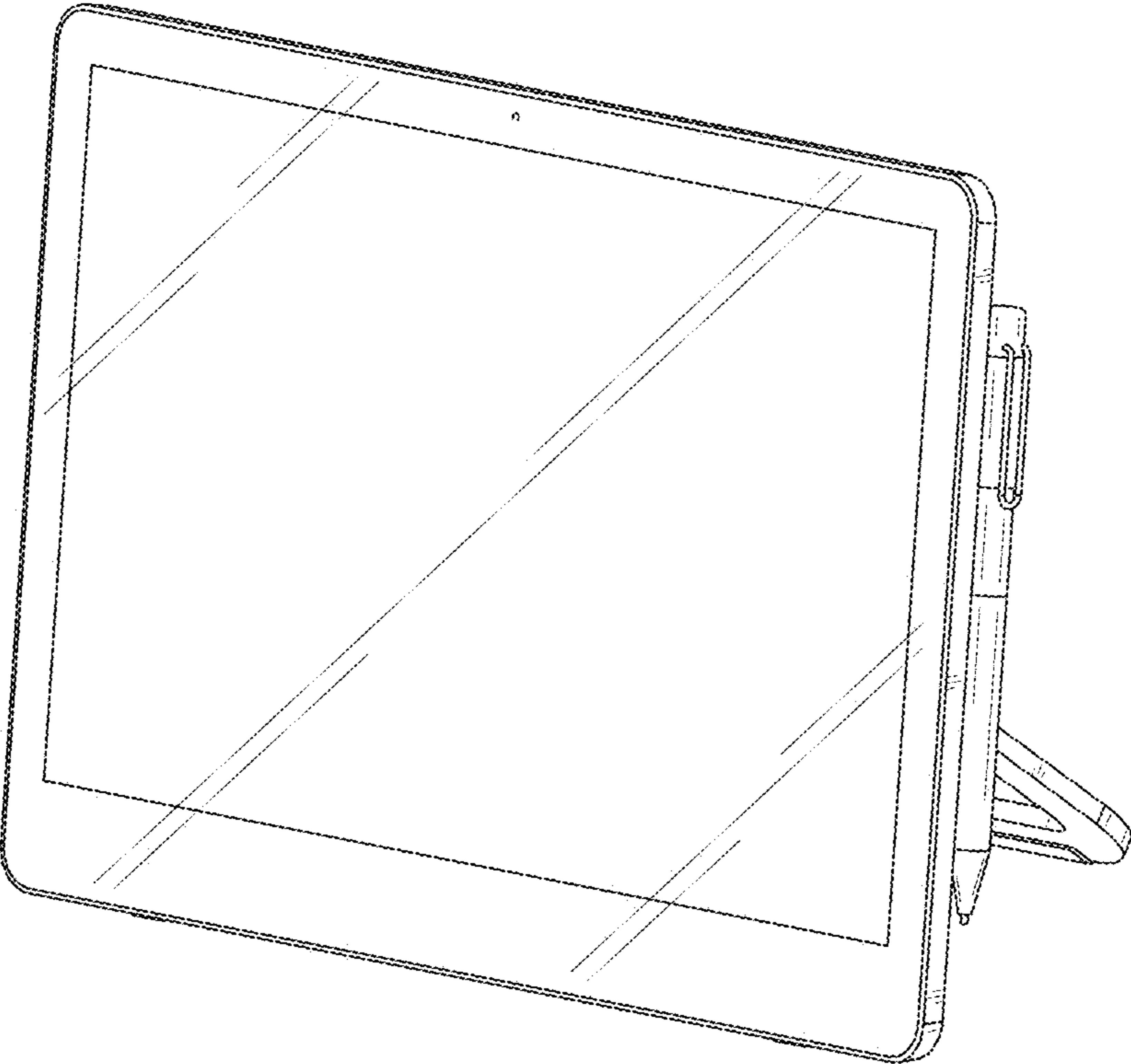


FIG.7

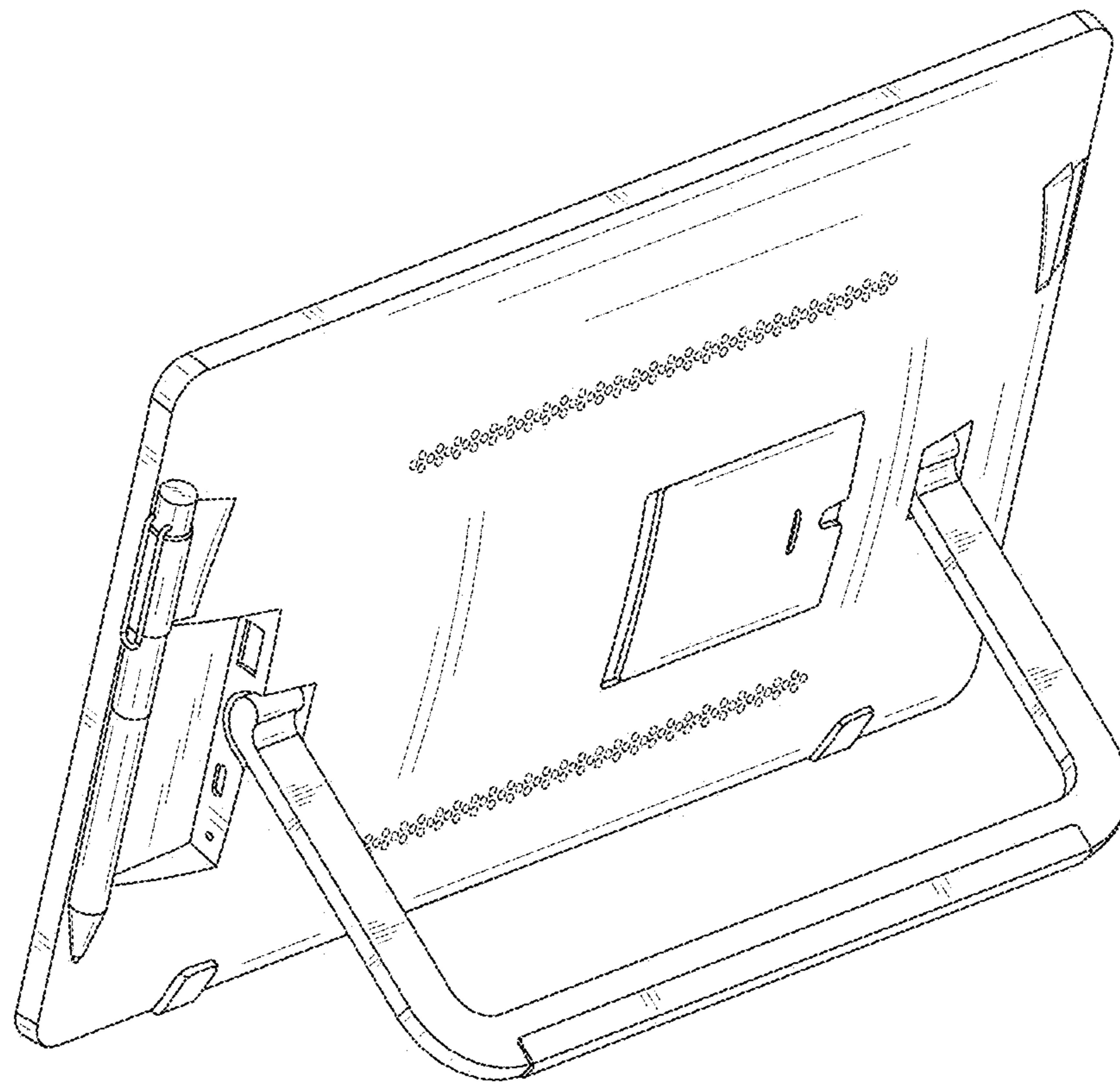


FIG.8

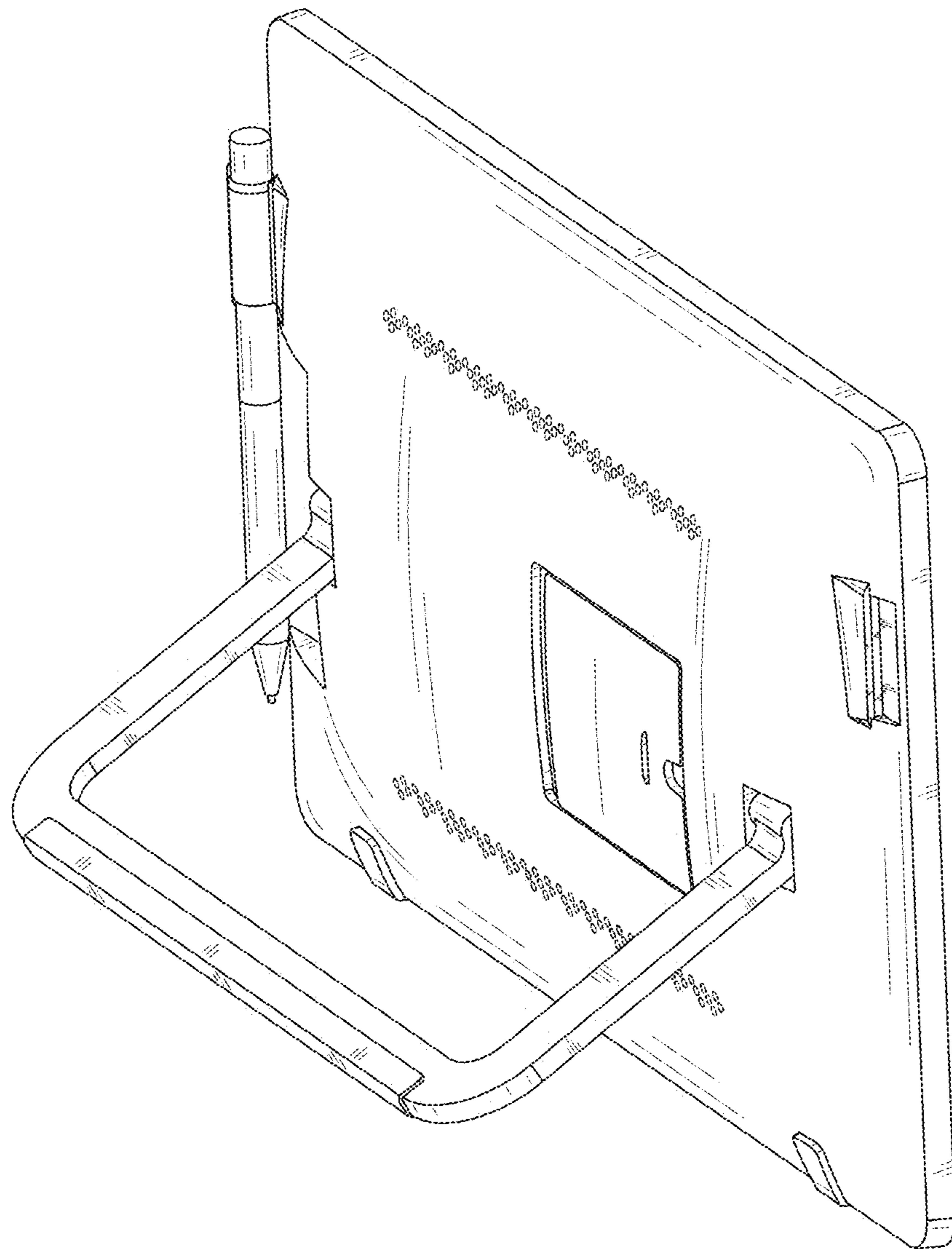


FIG.9