



US00D917464S

(12) **United States Design Patent**
Kang et al.

(10) **Patent No.:** **US D917,464 S**
(45) **Date of Patent:** **** Apr. 27, 2021**

(54) **ELECTRONIC DEVICE**

- (71) Applicant: **SAMSUNG ELECTRONICS CO., LTD.**, Suwon-si (KR)
- (72) Inventors: **Nam-Hyun Kang**, Suwon-si (KR); **Hak-Do Kim**, Suwon-si (KR); **Min-Ah Koh**, Suwon-si (KR); **Dong-Kyun Kim**, Suwon-si (KR)
- (73) Assignee: **SAMSUNG ELECTRONICS CO., LTD.**, Gyeonggi-Do (KR)
- (**) Term: **15 Years**
- (21) Appl. No.: **29/722,374**
- (22) Filed: **Jan. 29, 2020**

(30) **Foreign Application Priority Data**

Aug. 16, 2019 (KR) 30-2019-0039212

(51) **LOC (13) Cl.** **14-02**

(52) **U.S. Cl.**
USPC **D14/341**

(58) **Field of Classification Search**
USPC D14/341, 388-389, 371, 374, 420, 426,
D14/129-130, 315-318, 342-347, 496;
(Continued)

(56) **References Cited**

U.S. PATENT DOCUMENTS

D487,457 S * 3/2004 Liu D14/315
D732,533 S * 6/2015 Hirota D14/389
(Continued)

FOREIGN PATENT DOCUMENTS

CN 303755681 S 7/2016
EM 004547313-0001 12/2017
(Continued)

OTHER PUBLICATIONS

Samsung Confirms Galaxy Tab S6, first available Dec. 24, 2019, www.firstpost.com, [online], [site visited Nov. 3, 2020], Available from internet URL:https://www.firstpost.com/tech/news-analysis/samsung-confirms-galaxy-tab-s6-5g-in-promo-could-be-the-worlds-first-5g-tablet-7821921.html (Year: 2019).*

Primary Examiner — Samantha Q Lawrence
Assistant Examiner — Holly M Rodriguez
(74) *Attorney, Agent, or Firm* — Cantor Colburn LLP

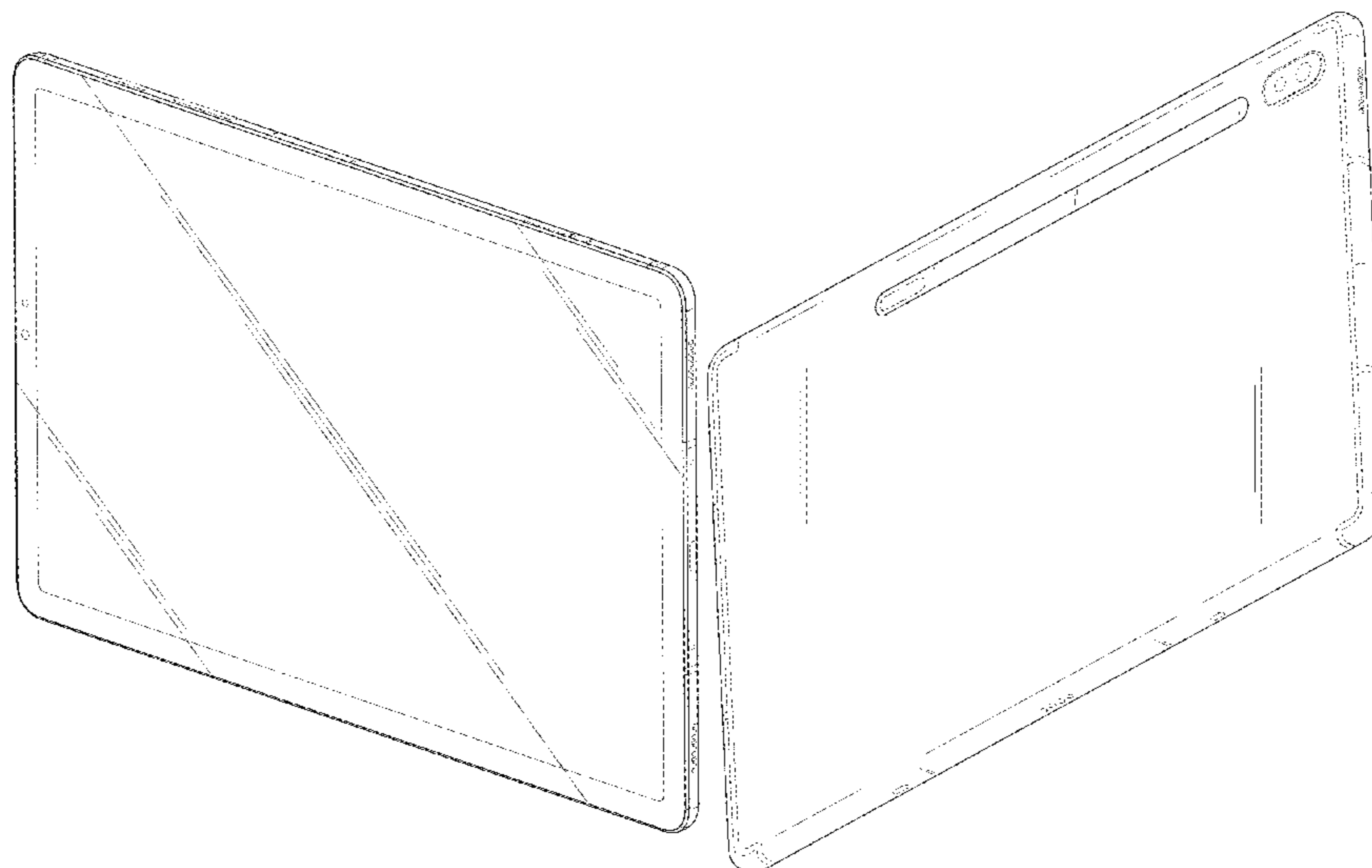
(57) **CLAIM**

The ornamental design for an electronic device, as shown and described.

DESCRIPTION

FIG. 1 is a front perspective view of an electronic device, showing our new design;
FIG. 2 is a front view thereof;
FIG. 3 is a rear view thereof;
FIG. 4 is a left-side view thereof;
FIG. 5 is a right-side view thereof;
FIG. 6 is a top view thereof;
FIG. 7 is a bottom view thereof;
FIG. 8 is a rear perspective view thereof;
FIG. 9 is another perspective view thereof in an environment of use with unclaimed stylus pen;
FIG. 10 is a front view thereof;
FIG. 11 is a rear view thereof;
FIG. 12 is a left-side view thereof;
FIG. 13 is a right-side view thereof;
FIG. 14 is a top view thereof;
FIG. 15 is a bottom view thereof; and,
FIG. 16 is a rear perspective view thereof.
The broken lines shown in FIGS. 1-16 illustrate portions of the electronic device that form no part of the claimed design. The additional broken lines that show the stylus pen shown in FIGS. 11-16 illustrate environment and form no part of the claimed design.

1 Claim, 16 Drawing Sheets



(58) **Field of Classification Search**

USPC D21/324, 329; D24/186; D10/104.4, 50,
D10/65, 74
CPC G06F 1/16; G06F 1/1632; G06F 1/1616;
G06F 1/1626; G06F 1/1658; G06F
1/1688; G06F 1/1613; G06F 2200/1633;
G06F 3/0488; G06F 3/04886; G06F
3/044; G06F 3/0412; G06F 3/0416;
H01M 10/44; F16M 11/10; F16M 11/02;
H05K 7/1465; A45C 2011/002; A45C
2011/003; H04B 1/3888; H04M 1/185

See application file for complete search history.

(56) **References Cited**

U.S. PATENT DOCUMENTS

D736,764 S * 8/2015 Yagi D14/341
D743,959 S * 11/2015 Landwehr D14/341
D774,031 S * 12/2016 Otani D14/341
D786,238 S * 5/2017 Roberts D14/341
D801,330 S * 10/2017 Morgan D14/341
D807,348 S * 1/2018 Wang D14/341
D820,253 S * 6/2018 Kim D14/341
D834,553 S 11/2018 Depape et al.
D835,097 S * 12/2018 Morgan D14/341
D842,852 S * 3/2019 Kim D14/341
D863,292 S * 10/2019 Nishizawa D14/341
D878,376 S * 3/2020 Claudepierre D14/440
2017/0102739 A1 * 4/2017 Zaloom G06F 1/1656

FOREIGN PATENT DOCUMENTS

EM 006015533-0001 1/2019
EM 006015533-0020 1/2019

* cited by examiner

FIG. 1

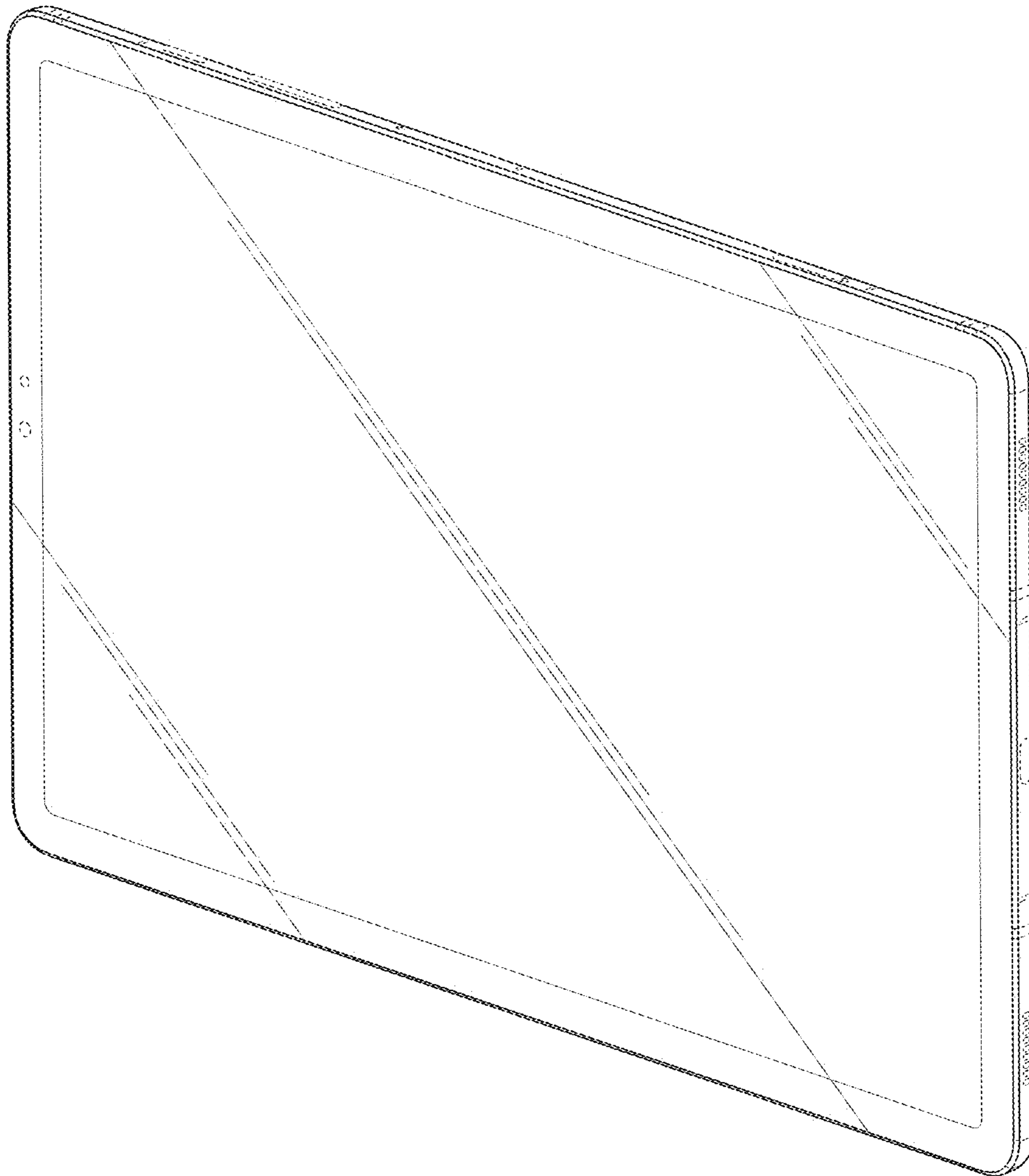


FIG. 2

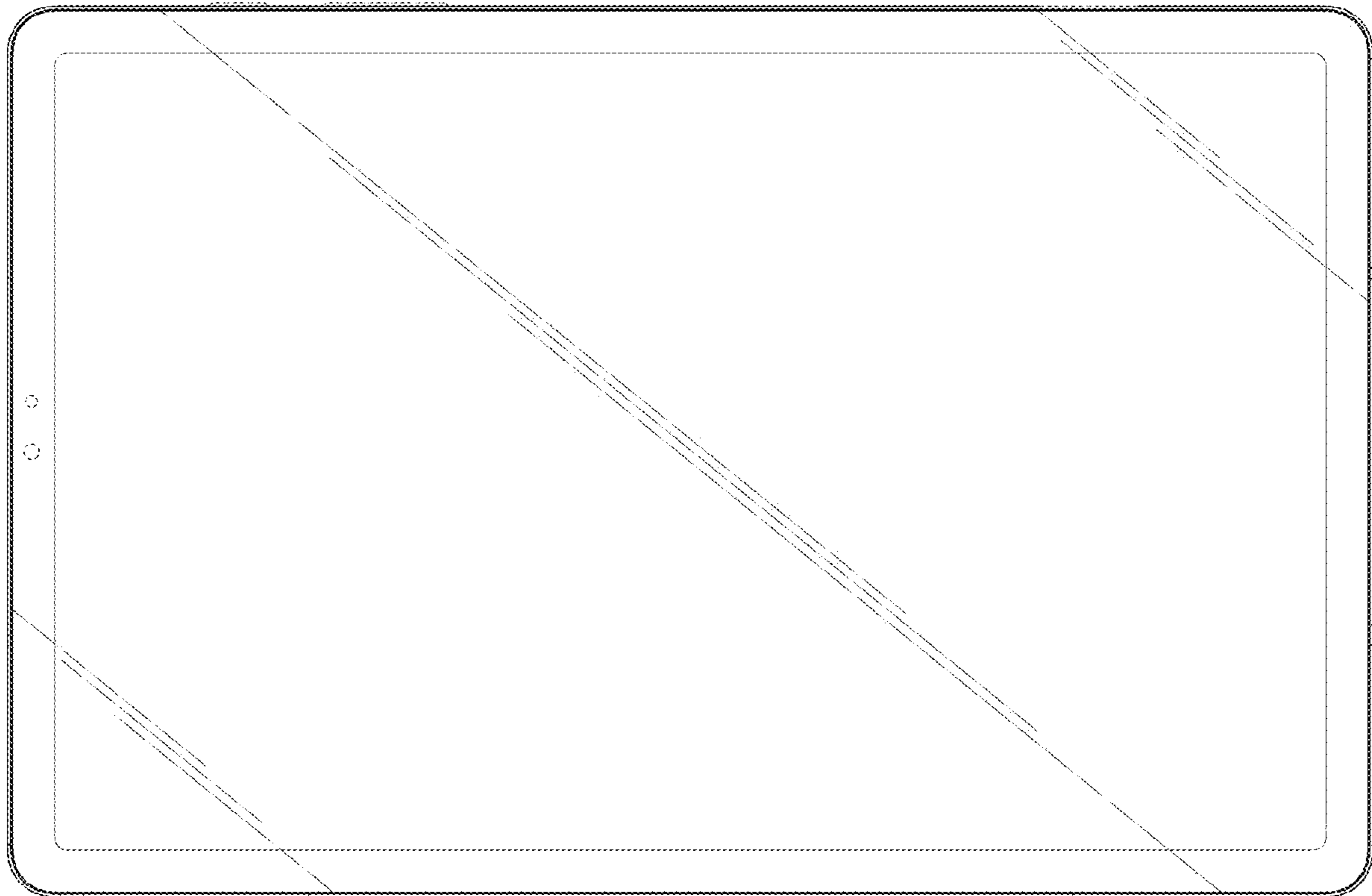


FIG. 3



FIG. 4



FIG. 5

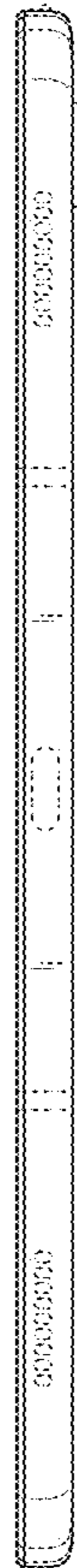


FIG. 6

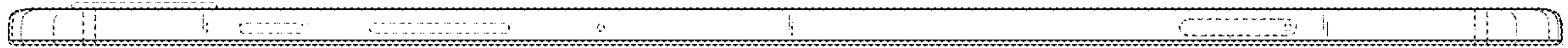


FIG. 7

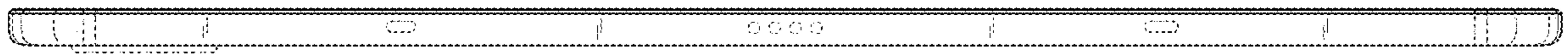


FIG. 8

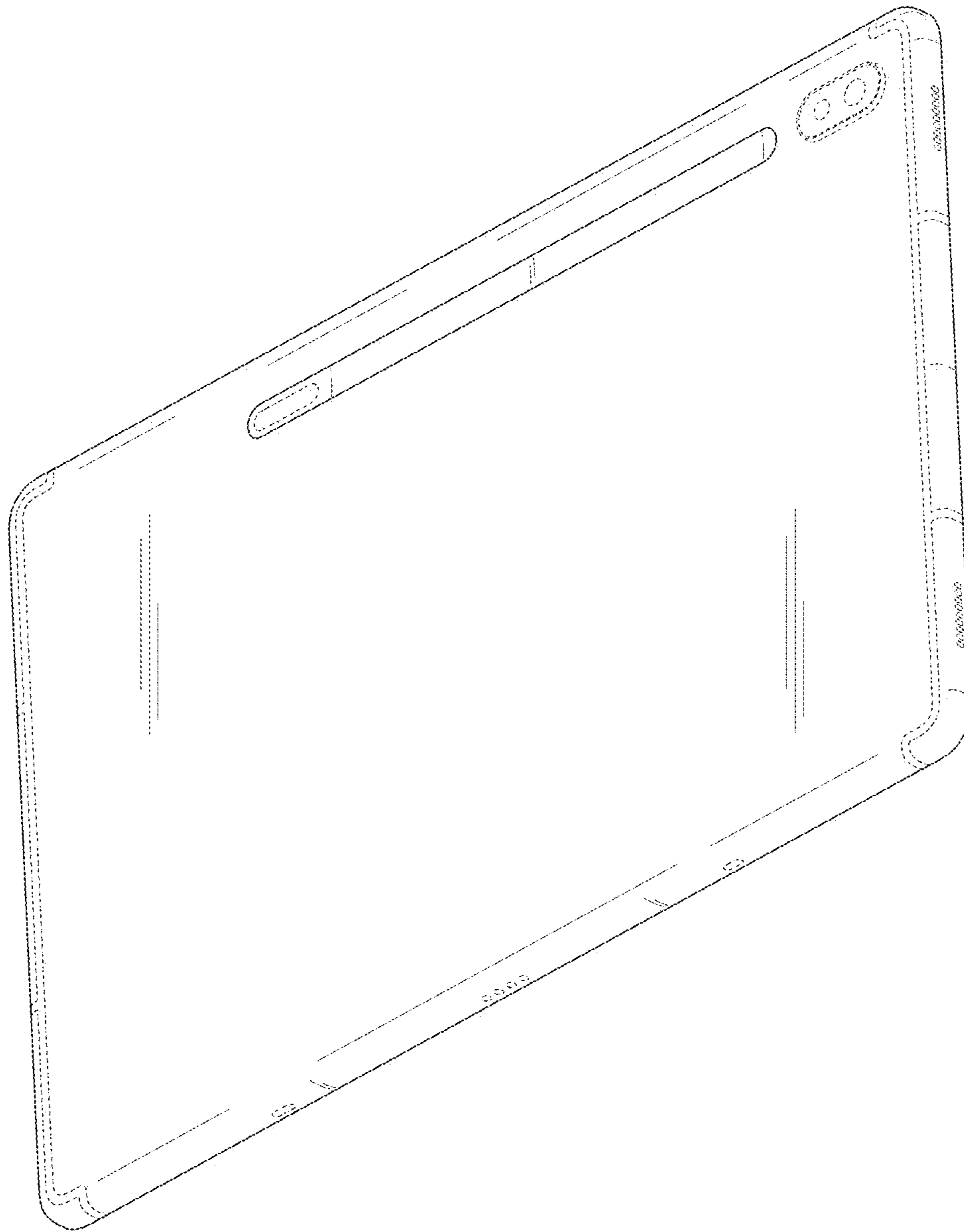


FIG. 9

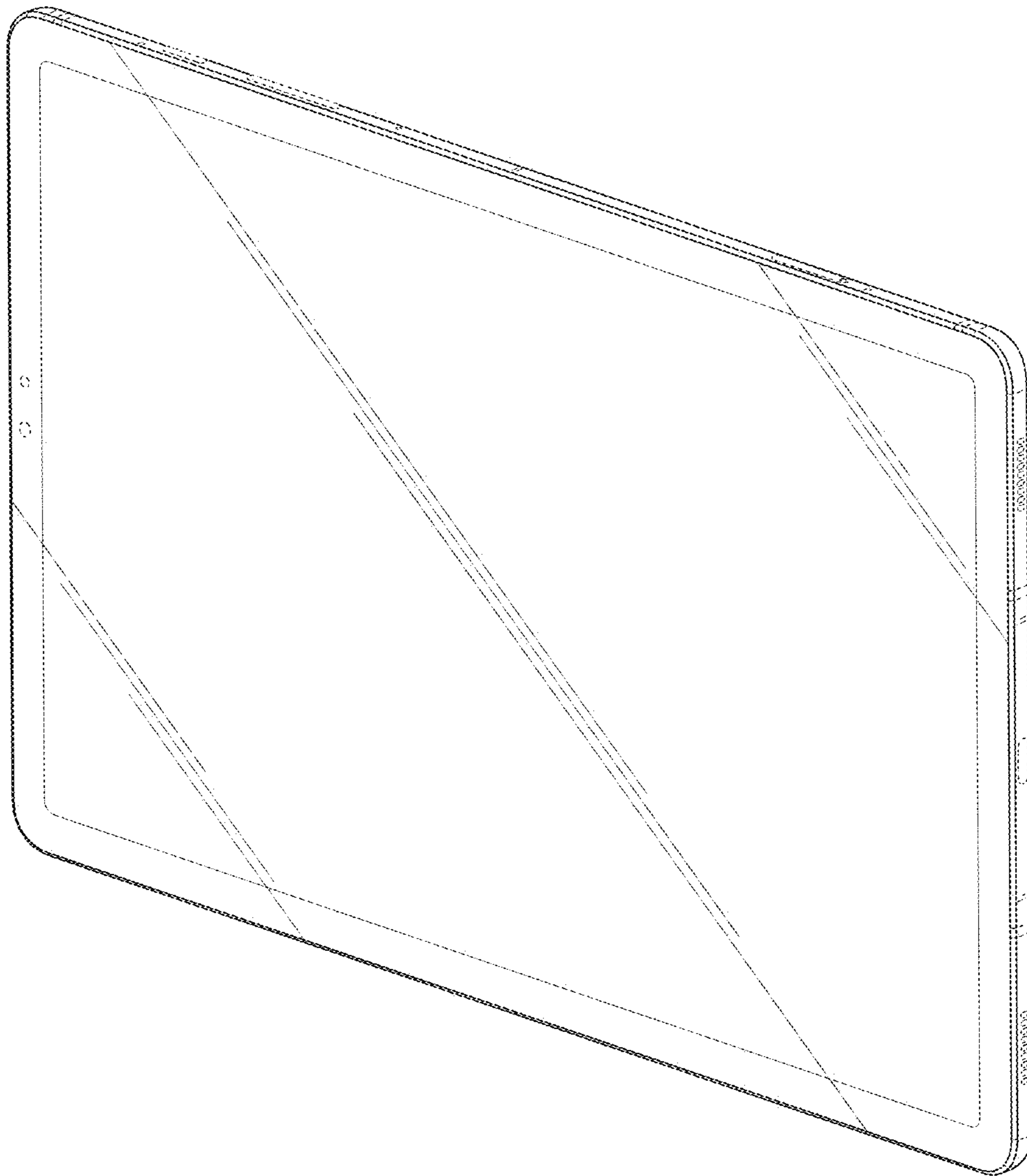


FIG. 10

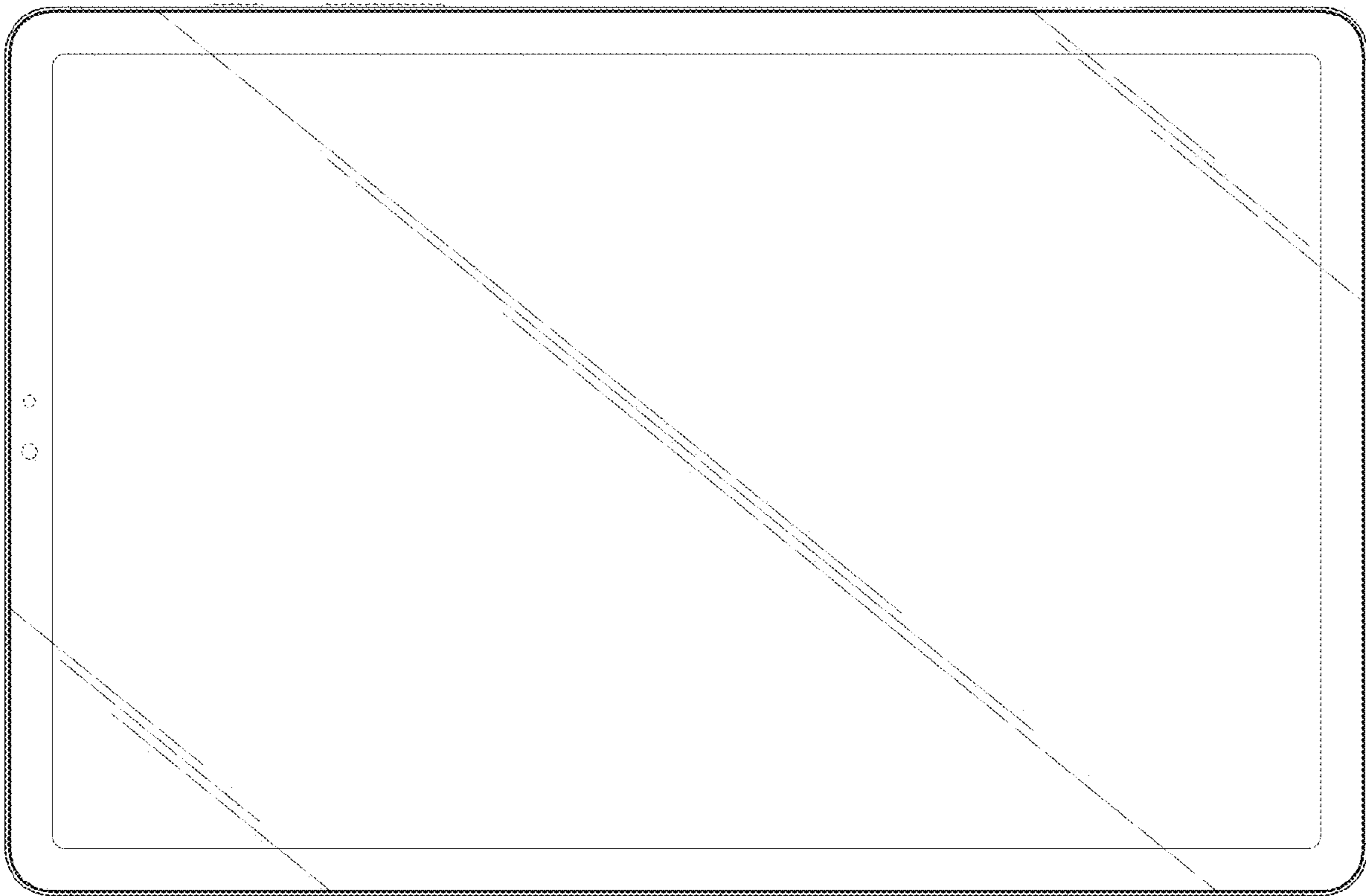


FIG. 11

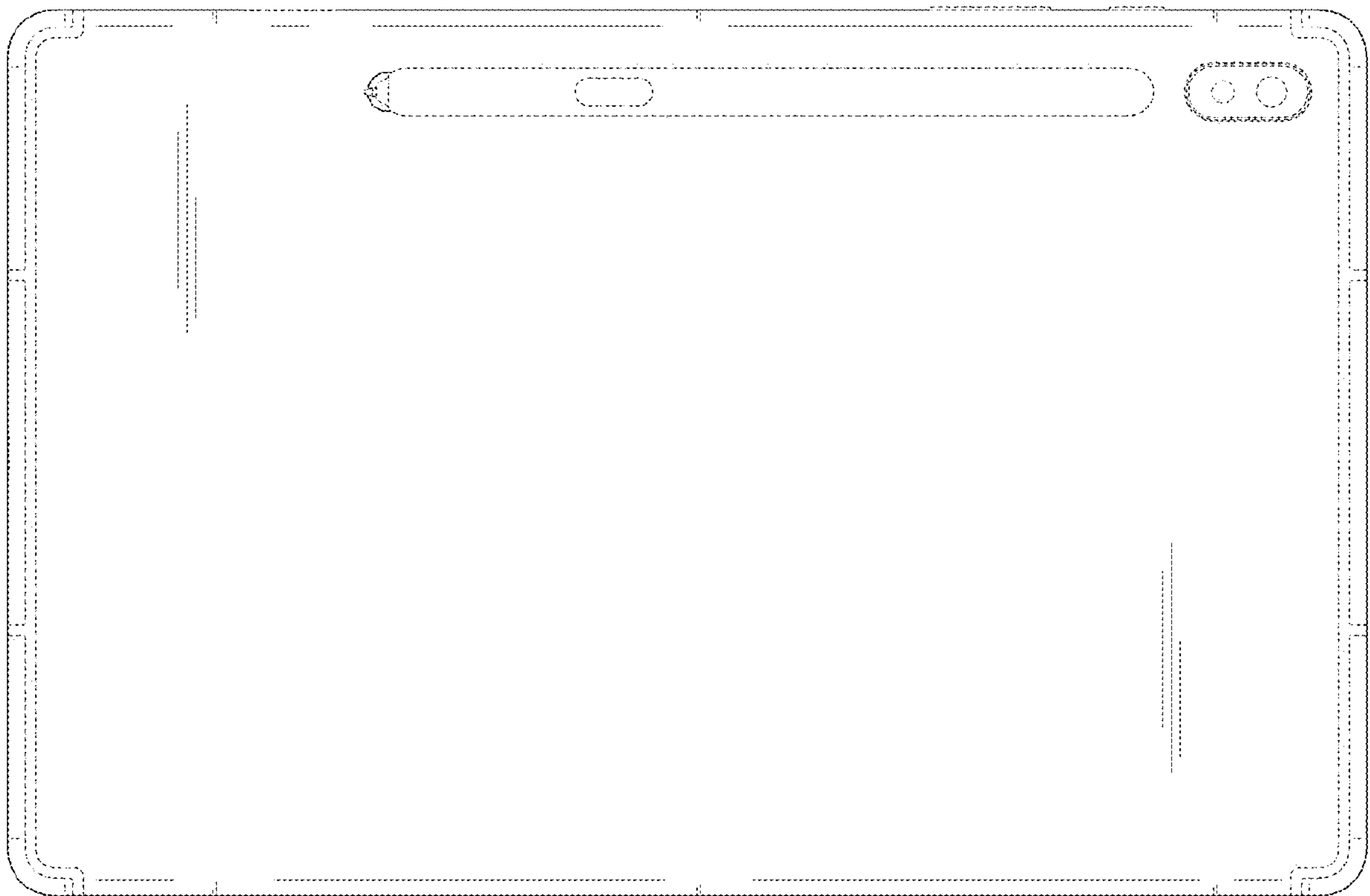


FIG. 12

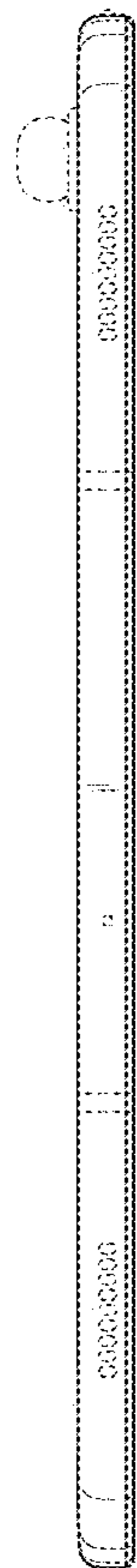


FIG. 13

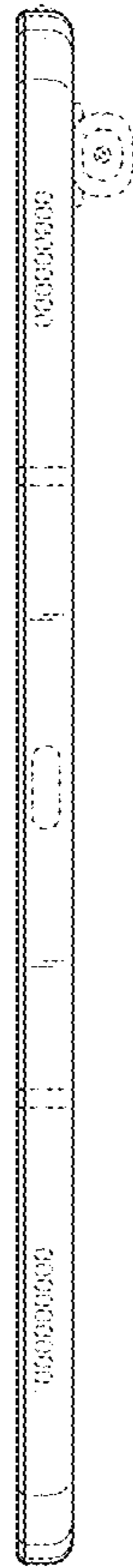


FIG. 14

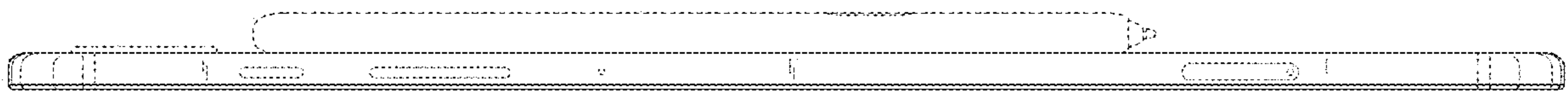


FIG. 15

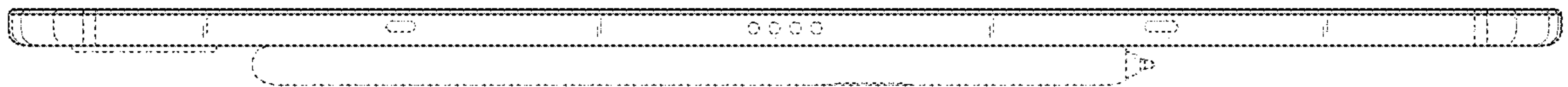


FIG. 16

