



US00D917461S

(12) **United States Design Patent**
DiLoreto et al.

(10) **Patent No.:** **US D917,461 S**
(45) **Date of Patent:** **** Apr. 27, 2021**

(54) **PORTABLE INFORMATION HANDLING SYSTEM**

D734,323 S * 7/2015 Takizawa D14/316
D743,390 S * 11/2015 Lyles D14/315
D750,616 S * 3/2016 Liang D14/318

(Continued)

(71) Applicant: **Dell Products L.P.**, Round Rock, TX (US)

(72) Inventors: **Nicholas Gregory DiLoreto**, Austin, TX (US); **Duck Soo Choi**, Austin, TX (US)

(73) Assignee: **Dell Products L.P.**, Round Rock, TX (US)

(**) Term: **15 Years**

(21) Appl. No.: **29/669,207**

(22) Filed: **Nov. 6, 2018**

(51) **LOC (13) Cl.** **14-02**

(52) **U.S. Cl.**
USPC **D14/327**

(58) **Field of Classification Search**
USPC D14/315–327, 331, 334–336, 339–340, D14/371, 373–374; D18/1–2, 7, 11, D18/12.2–12.3

CPC G06F 1/1618; G06F 1/166; G06F 1/1613; G06F 1/1616; G06F 1/162; G06F 1/1622; G06F 1/1624; G06F 1/1633; G06F 1/1615; G06F 1/1643; G06F 1/1654; G06F 1/1656; G06F 1/1669; G06F 1/203; G06F 1/1688; G06F 1/1601; G06F 1/1637; G06F 1/181; H05K 5/0047; H05K 5/0052

See application file for complete search history.

(56) **References Cited**

U.S. PATENT DOCUMENTS

D697,063 S * 1/2014 Lee D14/315
D705,773 S * 5/2014 Tian D14/318
D720,742 S 1/2015 Leonard
D729,228 S * 5/2015 Kawai D14/318

OTHER PUBLICATIONS

2018 HP ENVY x360 15.6" FHD Touchscreen 2-in-1 Laptop Computer, posted at Amazon, review posted May 15, 2018. Site visited Aug. 2, 2020. URL: <<https://www.amazon.com/dp/B07BWB189?tag=technadu-20&linkCode=ogi&th=1&psc=1>> (Year: 2018).*

(Continued)

Primary Examiner — Kevin K Rudzinski
Assistant Examiner — Kathleen L Jones
(74) *Attorney, Agent, or Firm* — Zagorin Cave LLP;
Robert W. Holland

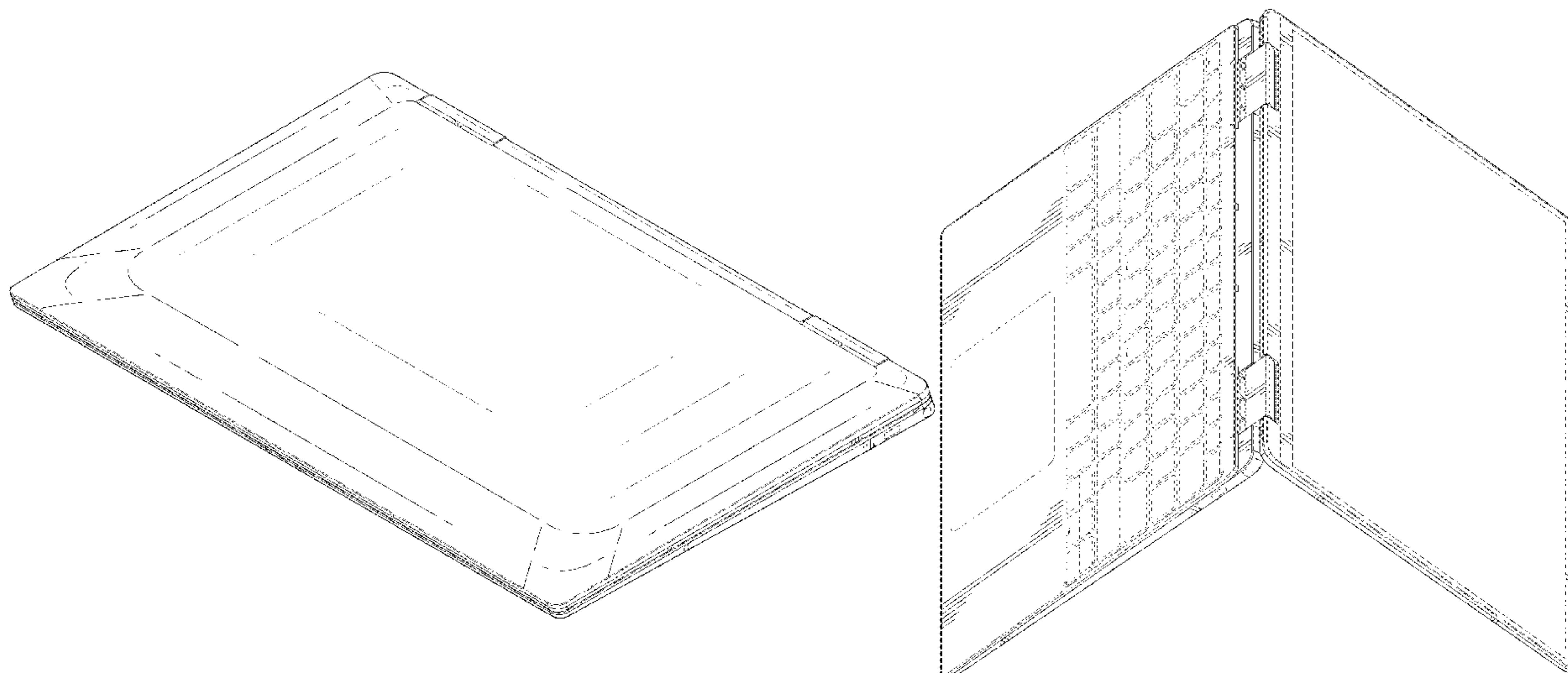
(57) **CLAIM**

The ornamental design for a portable information handling system, as shown and described.

DESCRIPTION

FIG. 1 is a front perspective view of the portable information handling system in a closed configuration comprising the present invention;
FIG. 2 is a front elevation view thereof;
FIG. 3 is a rear elevation view thereof;
FIG. 4 is a right side view thereof;
FIG. 5 is a left side view thereof;
FIG. 6 is a top view thereof;
FIG. 7 is a bottom view thereof;
FIG. 8 is a front perspective view of the portable information handling system shown in an open configuration; and
FIG. 9 is a top perspective view of the portable information handling system shown in another open configuration.
Broken lines shown in the drawings illustrate portions of the portable information handling system and form no part of the claimed design.

1 Claim, 7 Drawing Sheets



(56)

References Cited

U.S. PATENT DOCUMENTS

D756,350 S * 5/2016 Sun D14/315
 D756,351 S * 5/2016 Sun D14/315
 D758,360 S * 6/2016 Lyles D14/315
 D762,638 S 8/2016 Chang
 D763,249 S * 8/2016 Lee D14/315
 D767,561 S * 9/2016 Lin D14/315
 D770,440 S * 11/2016 Chou D14/315
 D770,442 S * 11/2016 Tu D14/315
 D781,282 S 3/2017 Hsu
 D802,584 S * 11/2017 Kong D14/315
 D806,702 S * 1/2018 Senatori D14/316
 D807,344 S 1/2018 Sun
 D807,875 S * 1/2018 Senatori D14/316
 D810,069 S * 2/2018 Hishiki D14/316
 D810,071 S * 2/2018 Hishiki D14/318
 D813,861 S * 3/2018 Goh D14/315
 D821,387 S * 6/2018 Wang D14/315
 D829,710 S * 10/2018 Seoc D14/315
 D835,095 S * 12/2018 Goh D14/315
 D842,856 S * 3/2019 Lam D14/345
 D864,948 S * 10/2019 Yoshida D14/327
 D880,473 S * 4/2020 Moon D14/327
 D890,747 S * 7/2020 Lee D14/315
 D890,749 S * 7/2020 Draca D14/327
 D895,609 S * 9/2020 Berry D14/315
 2013/0170124 A1 * 7/2013 Pan G06F 1/1618
 361/679.08

2014/0063700 A1 * 3/2014 Kawada H05K 5/0226
 361/679.01
 2016/0139636 A1 * 5/2016 Saito G06F 1/1667
 361/679.27
 2018/0253124 A1 * 9/2018 David G06F 1/1666
 2020/0159289 A1 * 5/2020 Seibert G06F 1/1669

OTHER PUBLICATIONS

Tracy, Phillip, Acer Spin 3 Review, posted at Laptop Mag, posting date Jun. 28, 2018. Site visited Aug. 2, 2020. URL: <<https://www.laptopmag.com/reviews/laptops/acer-spin-3>> (Year: 2018).
 U.S. Appl. No. 29/628,940, filed Dec. 8, 2017, entitled Information Handling System, by Jeff A. Reed et al.
 Dell, "X9 Latitude 7390," downloaded from <https://www.dell.com/en-us/work/shop/cty/pdp/spd/latitude-13-7390-laptop/cto051739013us?mkwid=sYFj4j1M4&pclid=178681018987&pkw=&pmt=&pdv=c&slid=&product=CTO05L739013US&pgrid=42> . . . , Nov. 6, 2018, 6 pages.
 Dell, "Latitude 14 7000 Series (E7450)," downloaded from <https://www.dell.com/en-us/work/shop/dell-laptops-and-notebooks/latitude-14-7000-series-e7450/spd/latitude-e7450-ultrabook>, Nov. 5, 2018, 4 pages.
 Dell, "XPS 13," downloaded from <https://www.dell.com/en-us/shop/dell-laptops/xps-13/spd/xps-13-9360-laptop>, Nov. 6, 2018, 6 pages.

* cited by examiner

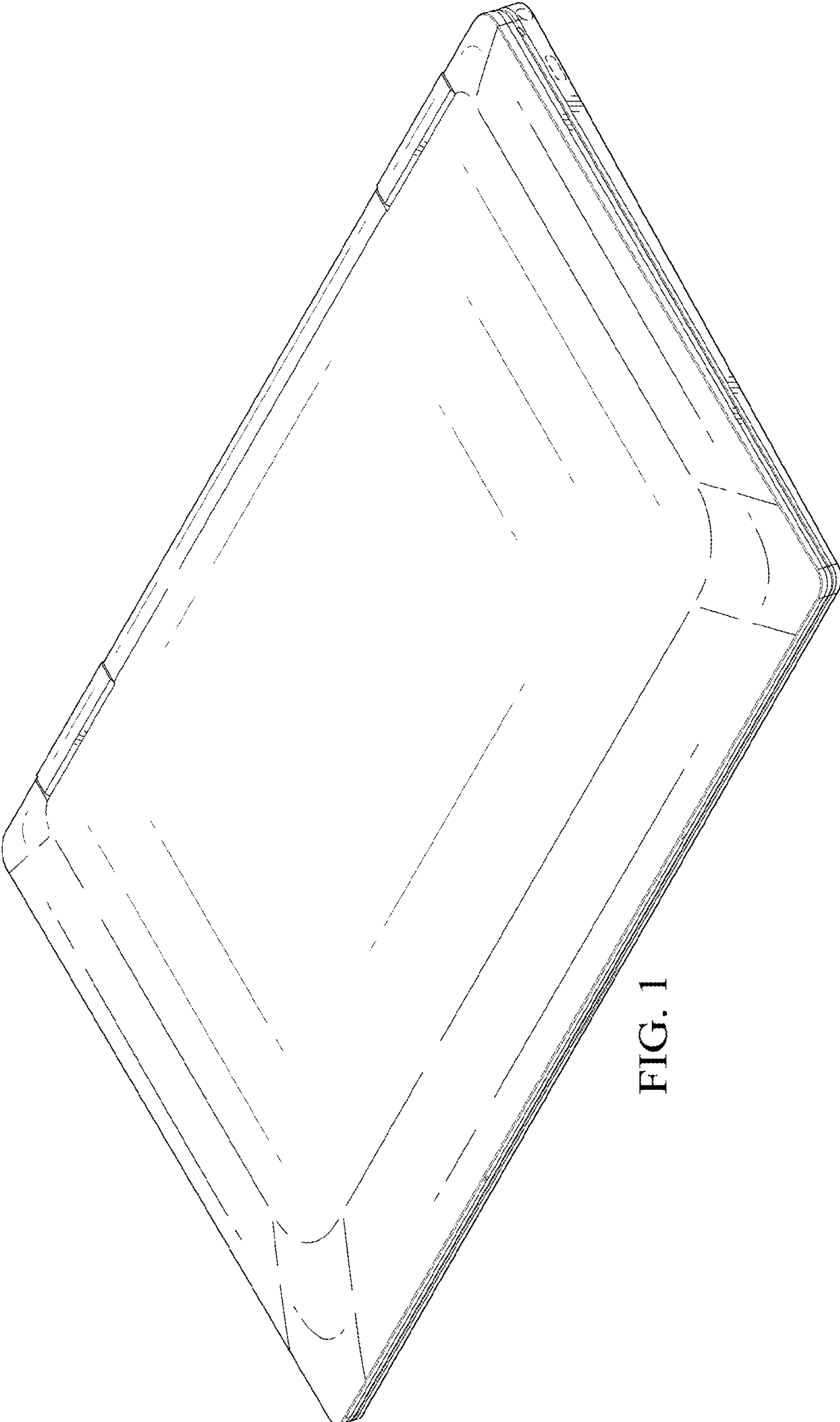


FIG. 1



FIG. 2

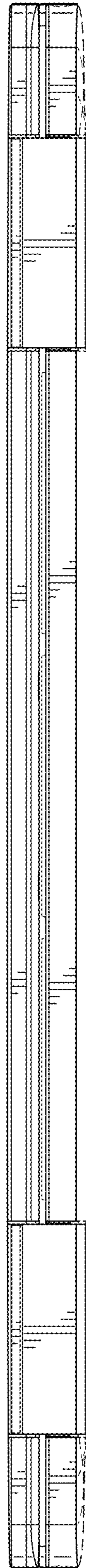


FIG. 3

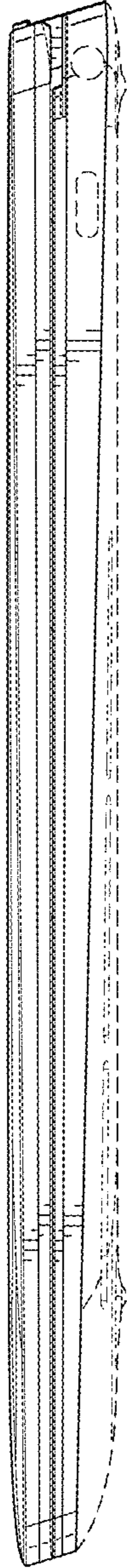


FIG. 4

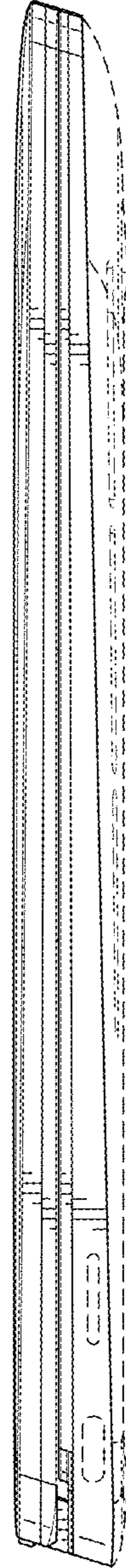


FIG. 5

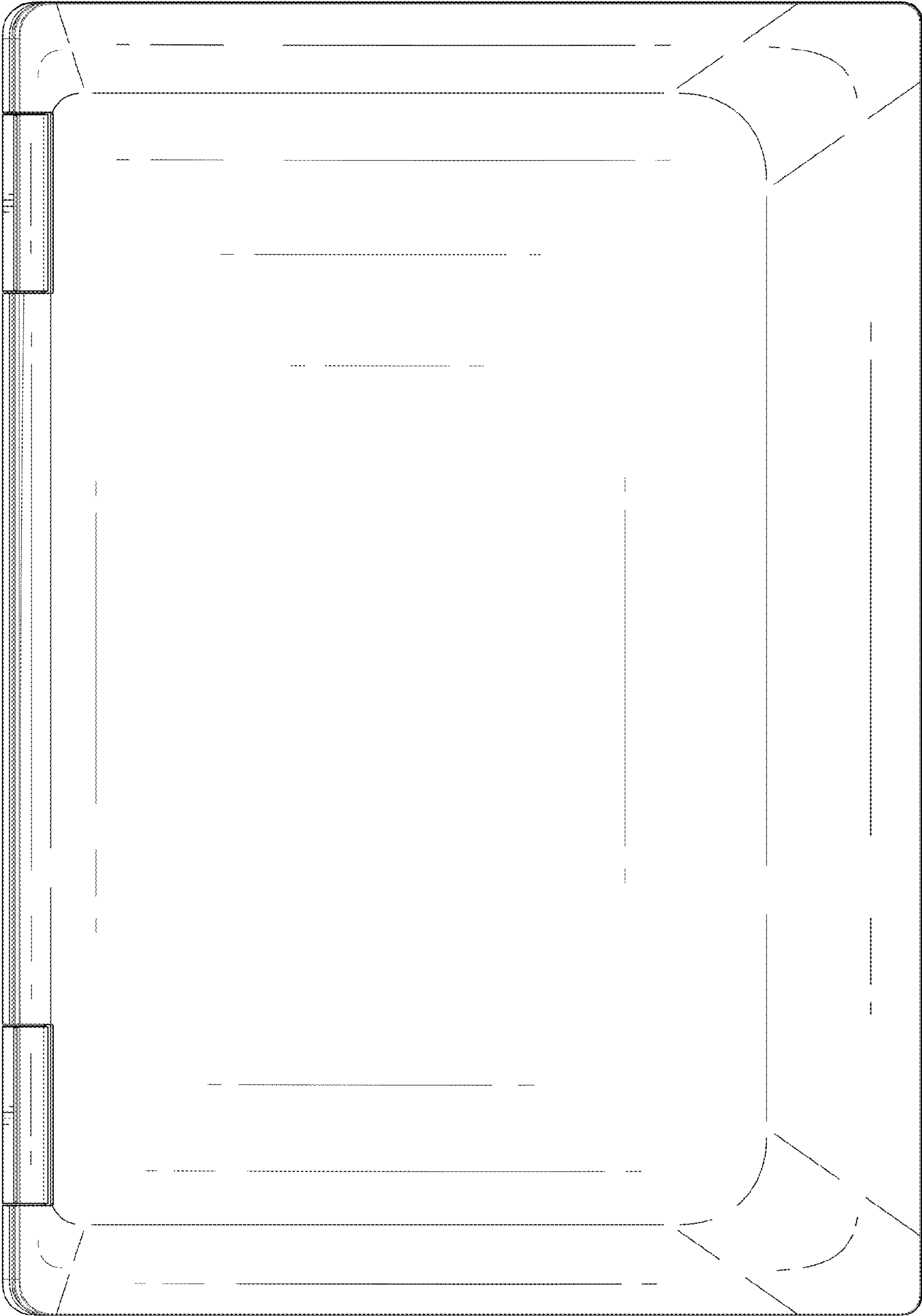


FIG. 6

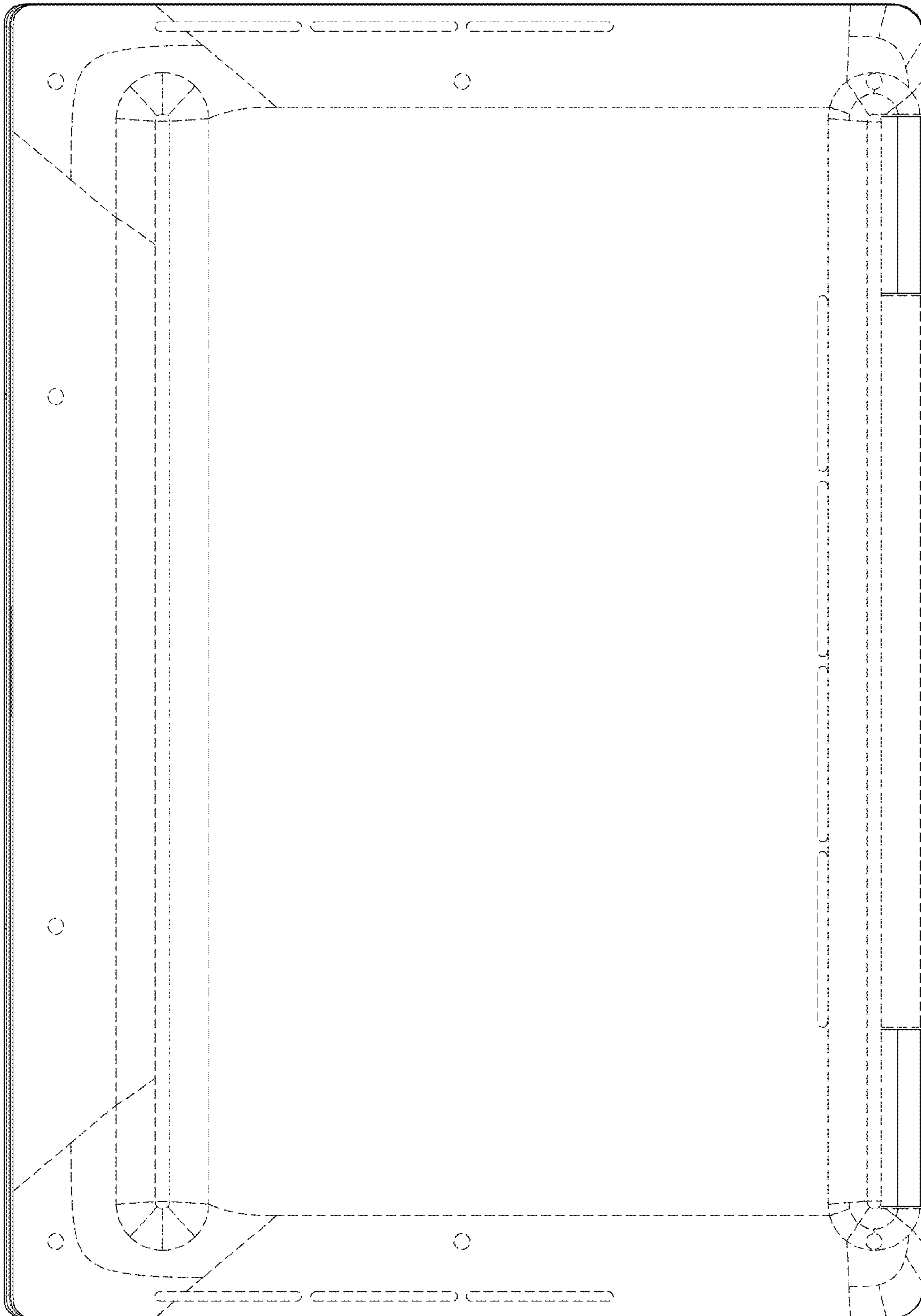


FIG. 7

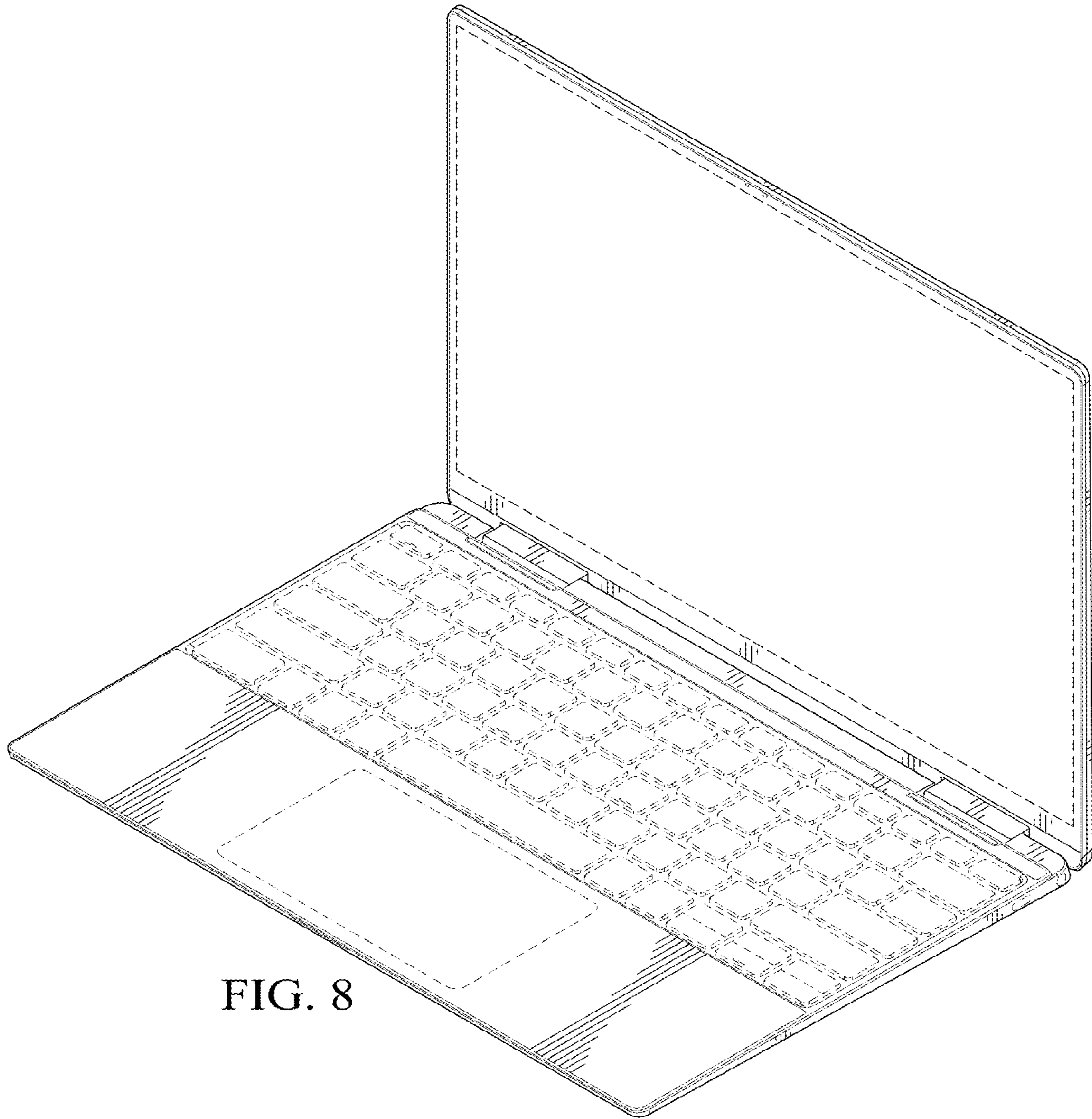


FIG. 8

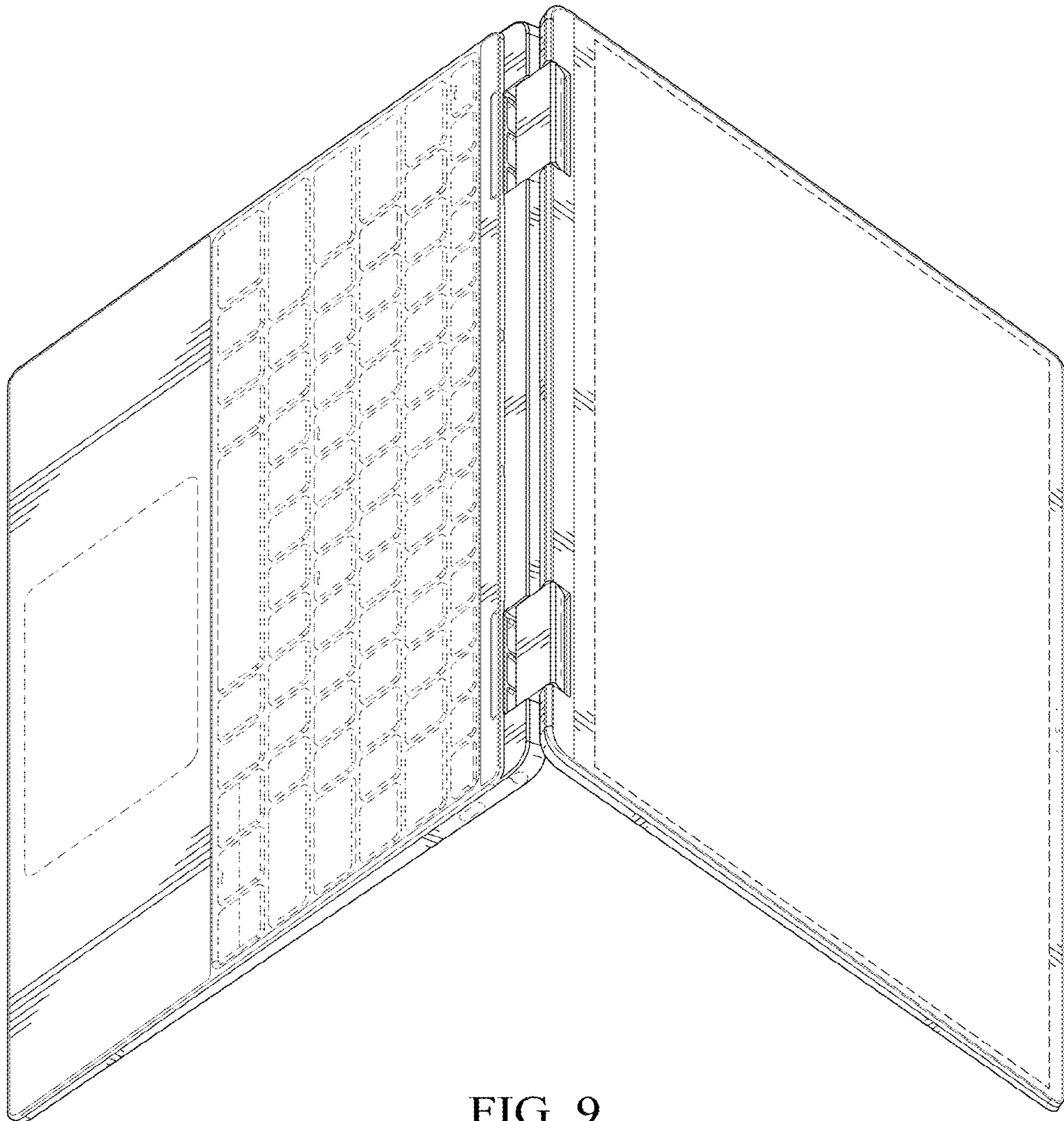


FIG. 9