

US00D917460S

(12) **United States Design Patent** (10) **Patent No.:** **US D917,460 S**  
**Wang et al.** (45) **Date of Patent:** **\*\* \*Apr. 27, 2021**

(54) **NOTEBOOK COMPUTER**

(71) Applicant: **COMPAL ELECTRONICS, INC.**,  
Taipei (TW)

(72) Inventors: **Chun-Wen Wang**, Taipei (TW);  
**Wang-Hung Yeh**, Taipei (TW);  
**Hsin-Chieh Fang**, Taipei (TW);  
**Che-Hsien Lin**, Taipei (TW);  
**Shu-Hung Lin**, Taipei (TW);  
**Che-Hsien Chu**, Taipei (TW);  
**Ming-Chung Liu**, Taipei (TW);  
**Tung-Ying Wu**, Taipei (TW)

(73) Assignee: **COMPAL ELECTRONICS, INC.**,  
Taipei (TW)

(\*) Notice: This patent is subject to a terminal disclaimer.

(\*\*) Term: **15 Years**

(21) Appl. No.: **29/637,089**

(22) Filed: **Feb. 13, 2018**

(51) **LOC (13) Cl.** ..... **14-02**

(52) **U.S. Cl.**  
USPC ..... **D14/327**

(58) **Field of Classification Search**  
USPC ..... D14/315-327, 331, 333-337, 439,  
D14/440-444, 448, 450; D18/1-2, 7, 11,  
D18/12.2-12.3; D8/323, 325, 327-329  
(Continued)

(56) **References Cited**

U.S. PATENT DOCUMENTS

3,947,970 A \* 4/1976 Lesure ..... G01B 5/25  
33/657  
4,546,599 A \* 10/1985 Cicci ..... A01D 43/107  
56/16.4 R

(Continued)

OTHER PUBLICATIONS

Dywishkey Brass Round Rods Bar Assorted, posted at Amazon, comment posted Jul. 3, 2017. Site visited Jun. 4, 2019. URL: (Year: 2017).\*

(Continued)

*Primary Examiner* — Kathleen L Jones  
(74) *Attorney, Agent, or Firm* — JCIPRNET

(57) **CLAIM**

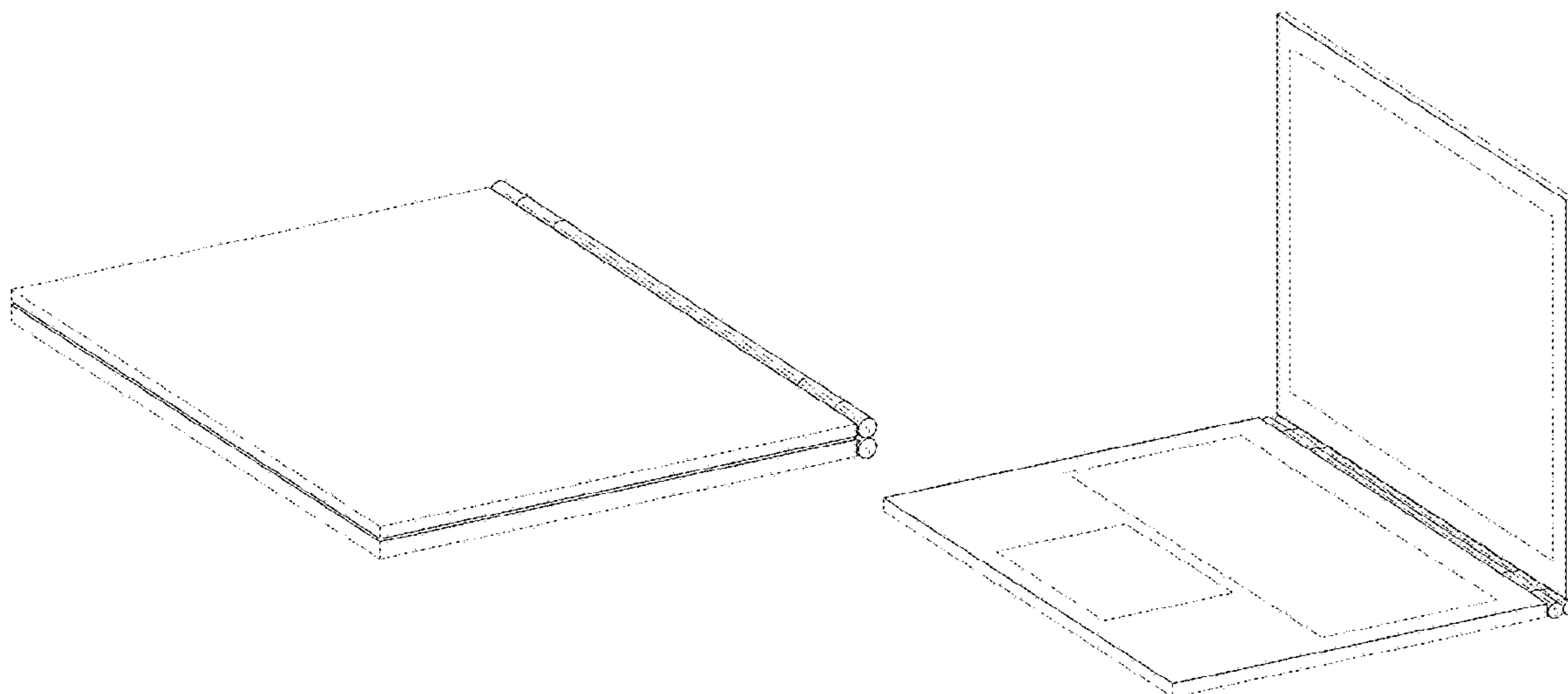
The ornamental design for a notebook computer, as shown and described.

**DESCRIPTION**

FIG. 1 is a perspective view of a notebook computer showing my new design in a closed state;  
FIG. 2 is a front view thereof;  
FIG. 3 is a rear view thereof;  
FIG. 4 is a left side view thereof;  
FIG. 5 is a right side view thereof;  
FIG. 6 is a top view thereof;  
FIG. 7 is a bottom view thereof;  
FIG. 8 is a perspective view thereof in an opened state of 90 degrees;  
FIG. 9 is a right side view thereof in an opened state of 90 degrees;  
FIG. 10 is a perspective view thereof in an opened state of 180 degrees;  
FIG. 11 is a right side view thereof in an opened state of 180 degrees;  
FIG. 12 is a perspective view thereof in an opened state of 360 degrees;  
FIG. 13 is a right side view thereof in an opened state of 360 degrees;  
FIG. 14 is a perspective view thereof in an opened state of 110 degrees; and,  
FIG. 15 is a right side view thereof in an opened state of 110 degrees.

The dashed broken lines illustrate portions of the notebook computer and form no part of the claimed design.

**1 Claim, 13 Drawing Sheets**



(58) **Field of Classification Search**

CPC ..... G06F 1/16; G06F 1/1637; G06F 1/1613;  
G06F 1/1616; G06F 1/1618; G06F 1/162;  
G06F 1/1654; G06F 1/1681; G06F  
1/1632; G06F 1/1656; G06F 1/1686;  
G06F 3/011; F16M 11/06; F16M 11/10;  
F16M 11/14; H05K 5/0226; H02B 1/38;  
E05D 11/1078

See application file for complete search history.

(56) **References Cited**

U.S. PATENT DOCUMENTS

5,062,319 A \* 11/1991 Beckner ..... B21D 5/14  
74/609  
D355,171 S \* 2/1995 Derocher ..... D14/326  
6,223,393 B1 \* 5/2001 Knopf ..... G06F 1/1618  
16/366  
D494,161 S \* 8/2004 Sawaquchi ..... D14/318  
D494,189 S \* 8/2004 Ko ..... D14/319  
D494,580 S \* 8/2004 Kondo ..... D14/318  
6,771,494 B2 \* 8/2004 Shimano ..... G06F 1/1616  
345/173  
6,888,534 B1 \* 5/2005 Northway ..... G06F 1/1626  
345/168  
D518,042 S \* 3/2006 Kanayama ..... D14/318  
D524,306 S \* 7/2006 Yun ..... D14/315  
D603,395 S \* 11/2009 Hong ..... D14/315  
D615,969 S \* 5/2010 Arbisi ..... D14/315  
D621,829 S \* 8/2010 Cheng ..... D14/327  
D645,855 S \* 9/2011 Lin ..... D14/315  
D645,858 S \* 9/2011 Cho ..... D14/315  
D657,785 S \* 4/2012 Lee ..... D14/315  
D667,824 S \* 9/2012 Ashcraft ..... D14/315  
D684,965 S \* 6/2013 Lam ..... D14/327  
D696,245 S \* 12/2013 Lee ..... D14/315  
D705,773 S \* 5/2014 Tian ..... D14/318  
D706,259 S \* 6/2014 Myung ..... D14/315  
D717,296 S \* 11/2014 Oh ..... D14/316  
D719,169 S \* 12/2014 McBroom ..... D14/440  
D729,231 S \* 5/2015 Lam ..... D14/327  
9,057,215 B1 \* 6/2015 Horng ..... E05D 3/12  
D750,616 S \* 3/2016 Liang ..... D14/318  
D761,249 S \* 7/2016 Liang ..... D14/315  
D762,636 S \* 8/2016 Liu ..... D14/315  
9,411,365 B1 \* 8/2016 Tanner ..... G06F 1/1618  
D766,888 S \* 9/2016 Moon ..... D14/318  
D773,452 S \* 12/2016 Cheah ..... D14/315  
D778,901 S \* 2/2017 Liang ..... D14/315  
D802,584 S \* 11/2017 Kong ..... D14/315  
D803,826 S \* 11/2017 Wang ..... D14/316  
D807,875 S \* 1/2018 Senatori ..... D14/316  
9,880,589 B2 \* 1/2018 Noguchi ..... G06F 1/1637  
D811,382 S \* 2/2018 Cai ..... D14/316  
9,921,613 B2 \* 3/2018 Kuramochi ..... E05D 3/06  
10,015,897 B1 \* 7/2018 Hong ..... H05K 5/0217  
10,120,421 B1 \* 11/2018 Hong ..... G06F 1/1681  
D834,917 S \* 12/2018 Alberti ..... D8/323  
D837,202 S \* 1/2019 Lee ..... D14/315  
10,503,207 B1 \* 12/2019 Knoppert ..... G06F 1/1632  
10,635,140 B1 \* 4/2020 McKittrick ..... G06F 1/1618  
D885,379 S \* 5/2020 Wang ..... D14/327  
D888,709 S \* 6/2020 Kang ..... D14/327  
D890,167 S \* 7/2020 Moon ..... D14/315  
2004/0001049 A1 \* 1/2004 Oakley ..... G06F 1/1618  
345/173  
2004/0074050 A1 \* 4/2004 Birtley ..... E05D 11/087  
16/340

2005/0101358 A1 \* 5/2005 Carpenter ..... G06F 1/1618  
455/575.1  
2009/0244009 A1 \* 10/2009 Staats ..... G06F 1/162  
345/168  
2009/0302722 A1 \* 12/2009 Mihara ..... G06F 1/1616  
312/223.2  
2013/0021738 A1 \* 1/2013 Yang ..... G06F 1/1616  
361/679.27  
2014/0063710 A1 \* 3/2014 Myung ..... H05K 5/0017  
361/679.4  
2016/0132075 A1 \* 5/2016 Tazbaz ..... G06F 1/1681  
361/679.27  
2016/0161987 A1 \* 6/2016 Jacobs ..... G06F 1/1662  
361/679.11  
2016/0230436 A1 \* 8/2016 Ahn ..... G06F 1/16  
2017/0235337 A1 \* 8/2017 Vic ..... E05D 3/12  
361/679.55  
2017/0299410 A1 \* 10/2017 Gunawan ..... G01D 5/24  
2017/0336733 A1 \* 11/2017 Adachi ..... G03G 15/0889  
2017/0356225 A1 \* 12/2017 Maatta ..... E05D 1/04  
2017/0356226 A1 \* 12/2017 Maatta ..... E05D 3/12  
2018/0049336 A1 \* 2/2018 Manuel ..... E05B 65/0067  
2018/0107254 A1 \* 4/2018 Godfrey ..... G06F 1/1681  
2018/0363695 A1 \* 12/2018 Chuang ..... F16C 11/04  
2019/0004764 A1 \* 1/2019 Son ..... G06F 3/1446  
2019/0018460 A1 \* 1/2019 Lin ..... G06F 1/1681  
2019/0086970 A1 \* 3/2019 Fang ..... G06F 1/1681  
2019/0146561 A1 \* 5/2019 Escamilla ..... G06F 1/1681  
2019/0155344 A1 \* 5/2019 Lin ..... G06F 1/1681  
2019/0162751 A1 \* 5/2019 Elmegreen ..... G01P 15/105  
2019/0163239 A1 \* 5/2019 Chen ..... G06F 1/1666  
2019/0317578 A1 \* 10/2019 North ..... G06F 1/1616  
2020/0019368 A1 \* 1/2020 Ku ..... G06F 1/1681  
2020/0042048 A1 \* 2/2020 Quinn ..... G06F 1/1656

OTHER PUBLICATIONS

Eowpower Brass Round Rods Bar Assorted, posted at Amazon, review posted Nov. 30, 2017. Site visited Jun. 4, 2019. URL: (Year: 2017).\*

Herrick, Justin, Lenovo Book review: The big effort for an Android laptop misses, posted at Talk Android, posting date Nov. 18, 2016. Site visited May 31, 2019. URL: <<https://www.talkandroid.com/reviews/tablet-reviews/lenovo-yoga-book/>> (Year: 2016).\*

Lanparte 15 mm Carbon Fiber Rods, posted at Adorama, review posted Aug. 29, 2017. Site visited Jun. 2, 2019. URL: <<https://www.adorama.com/lacfr450.html>> (Year: 2017).\*

Making dowels—the pencil sharpener method, posted at Wood Gears, posting date Jul. 14, 2011. Site visited May 31, 2019. URL: <<http://web.archive.org/web/20110714190910/https://woodgears.ca/dowel/making.html>> (Year: 2011).\*

Diabolo Sticks, posted at Oddballs, posting date Feb. 3, 2016. Site visited May 31, 2019. URL: <<https://www.oddballs.co.uk/blog/diabolo-sticks/>> (Year: 2016).\*

36" Wooden Dowel by ArtMinds, posted at Michael's, review posted 2016. Site visited May 31, 2019. URL: <<https://www.michaels.com/1%2F4in-x-36in-dowel-by-woodgrain-millwork/10529602.html>> (Year: 2016).\*

Dual Cylindrical 360 Notebook computer, posted at World Design Guide, posting year 2019. Site visited Jan. 15, 2020. URL: <<https://ifworlddesignguide.com/entry/247871-dual-cylindrical-360>> (Year: 2019).\*

MSI Wind U160 Review, posted at Notebook Review, posting date Apr. 26, 2010. Site visited Jan. 15, 2020. URL: <<http://www.notebookreview.com/notebookreview/msi-wind-u160-review/>> (Year: 2010).\*

\* cited by examiner



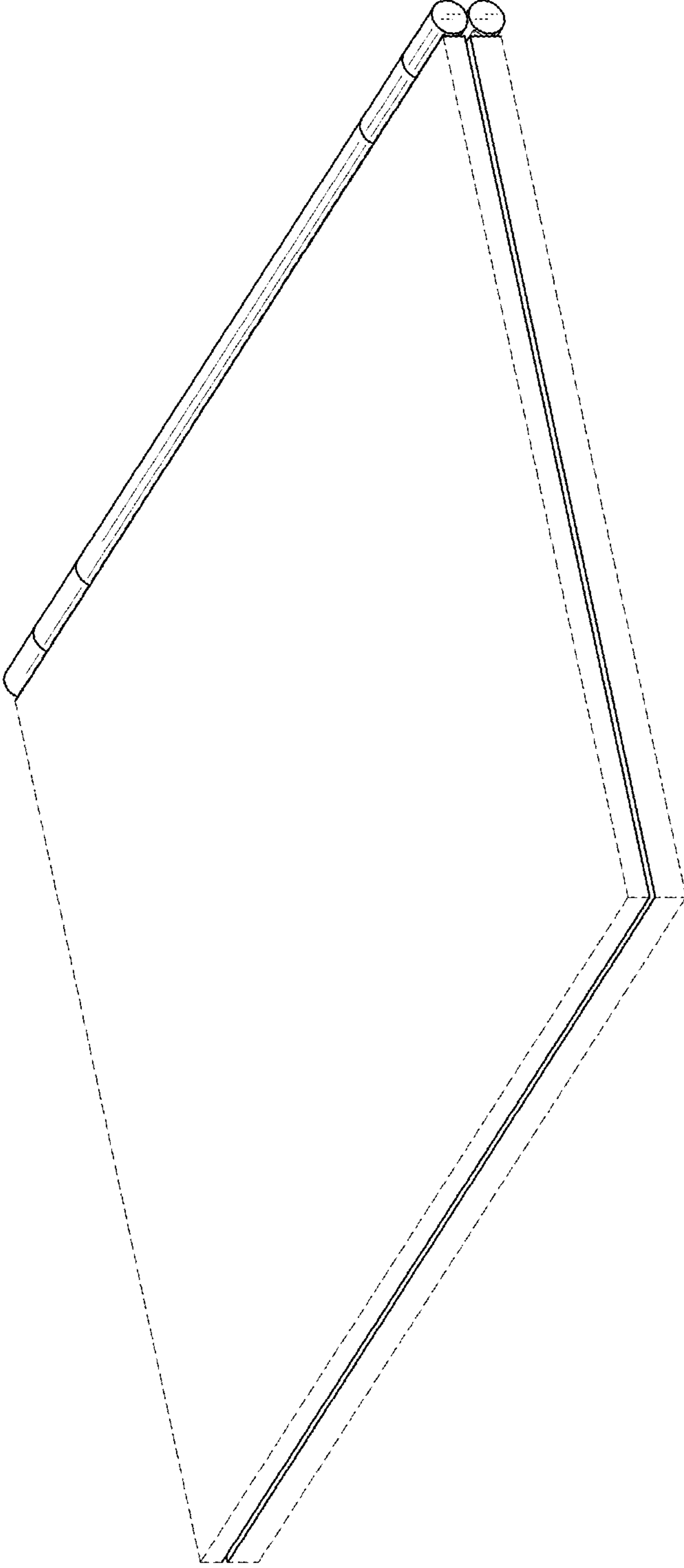


FIG. 1

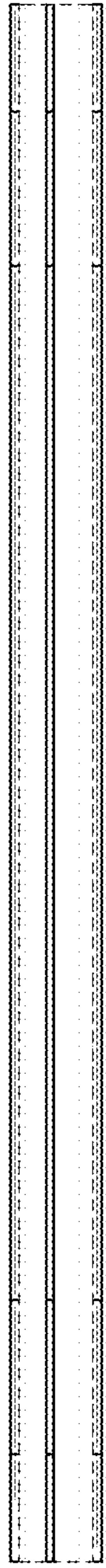


FIG. 2



FIG. 3

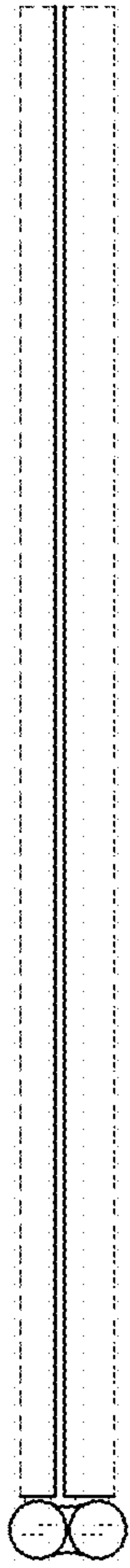


FIG. 4

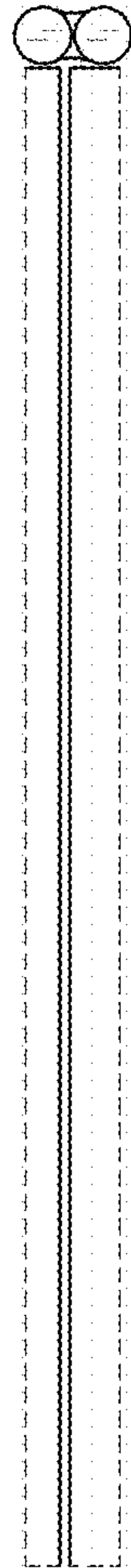


FIG. 5

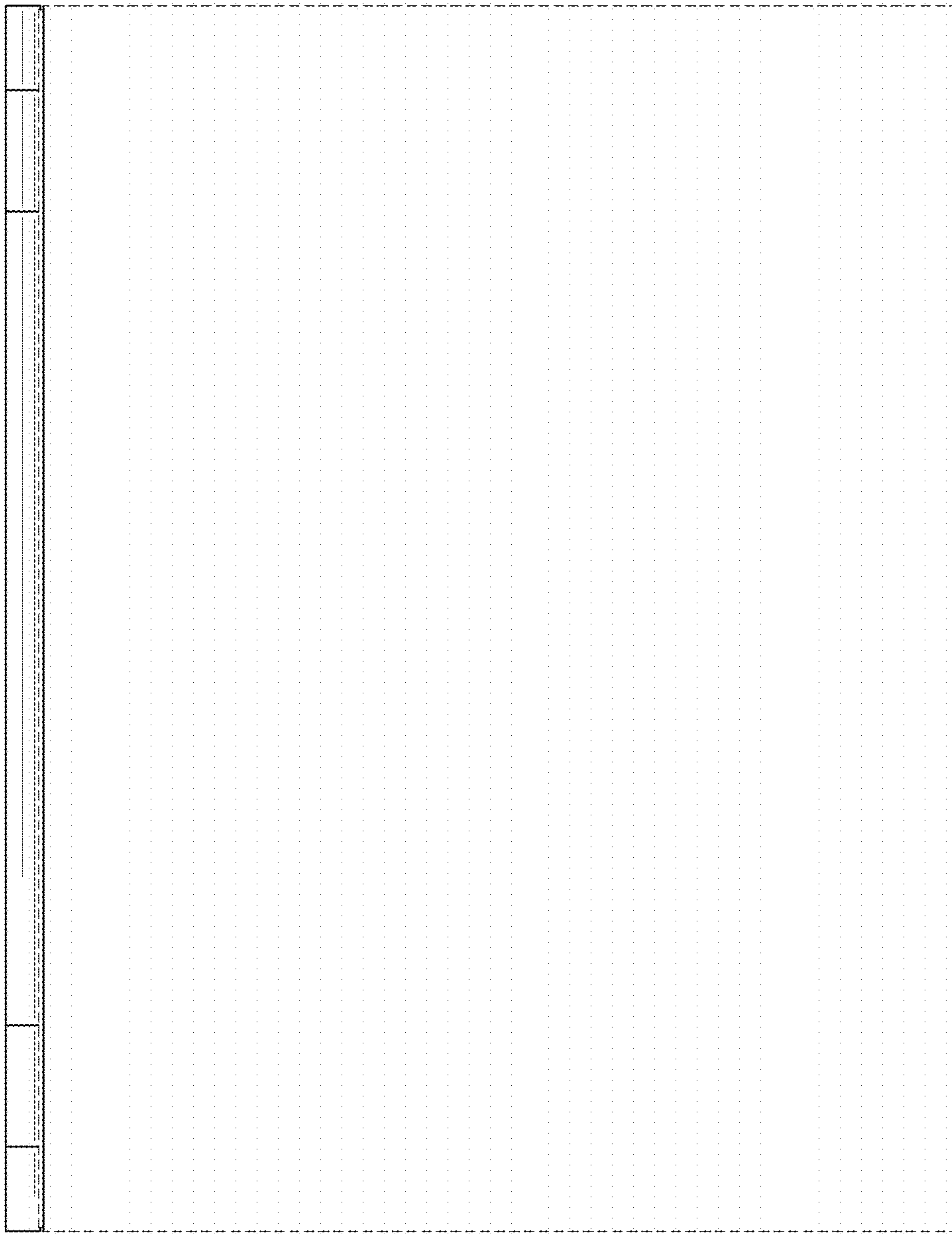


FIG. 6

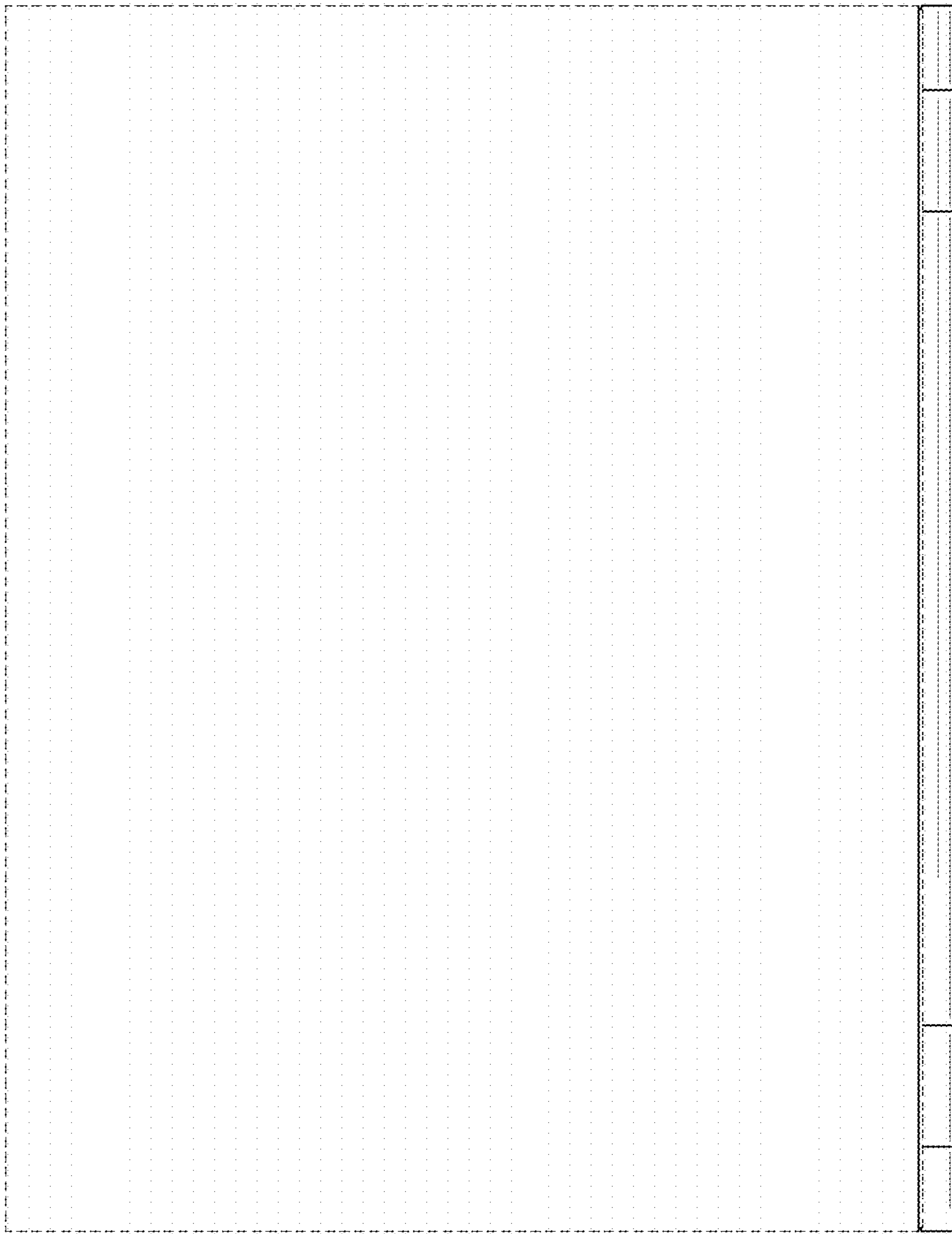


FIG. 7

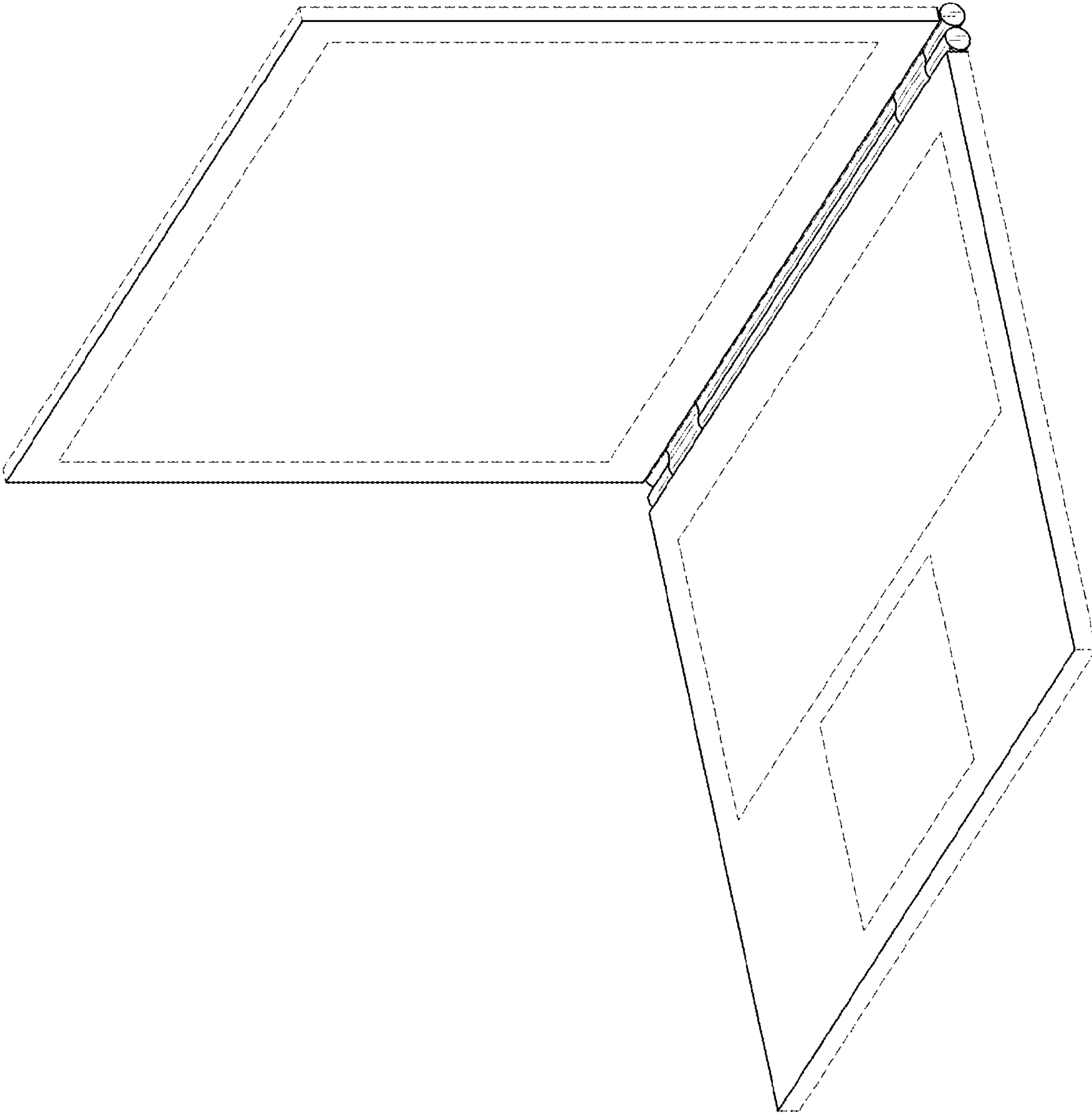


FIG. 8



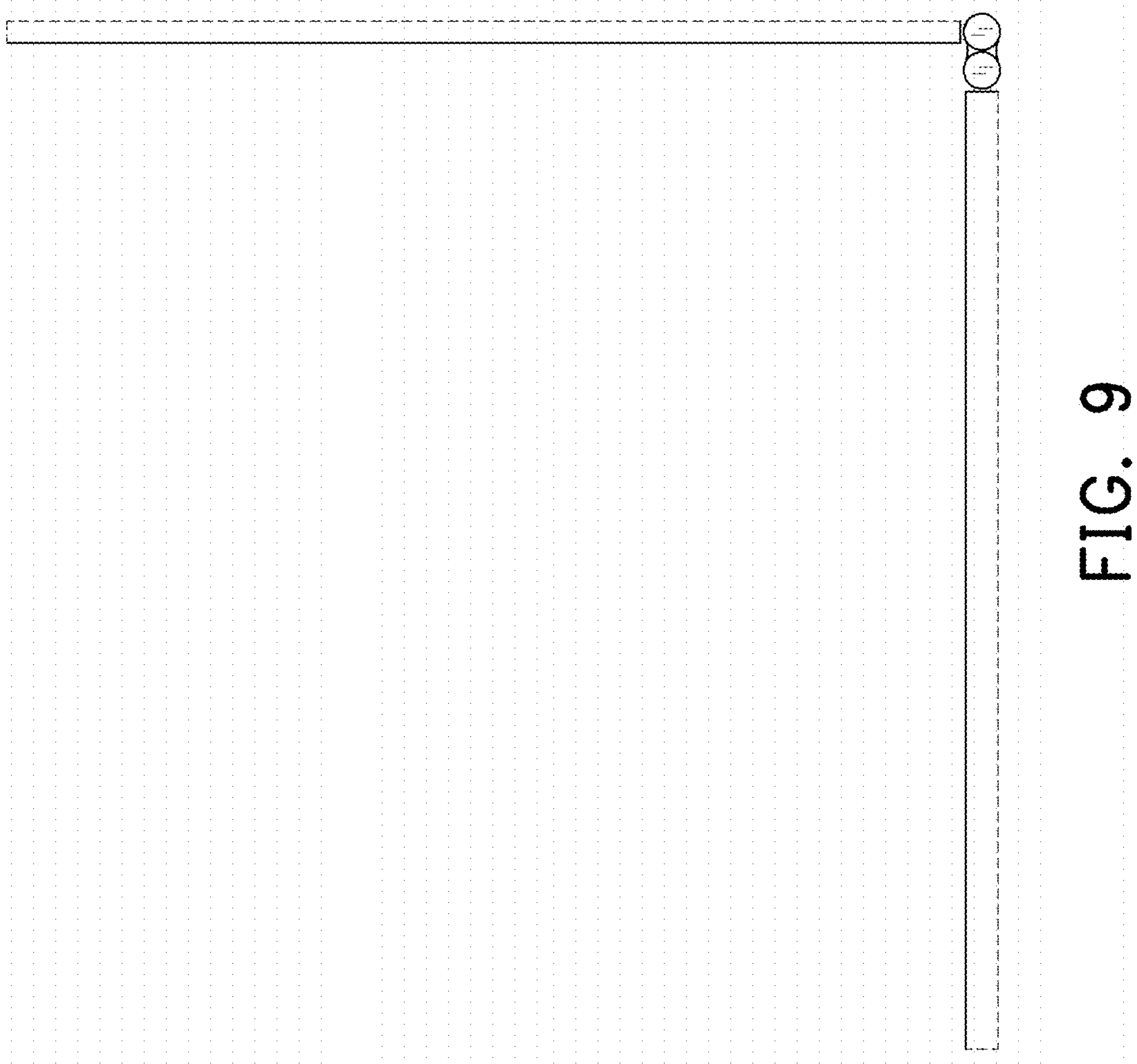


FIG. 9

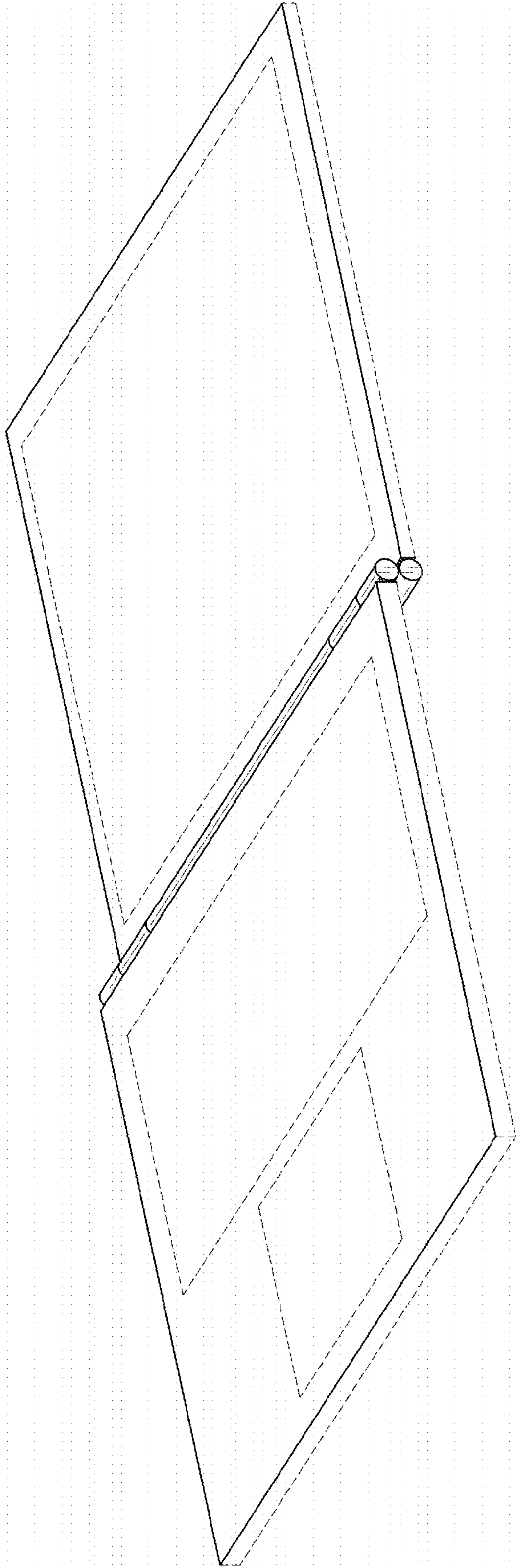


FIG. 10

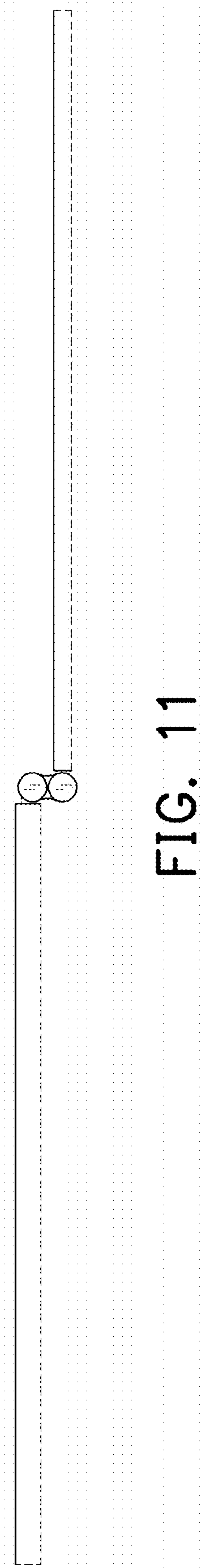


FIG. 11

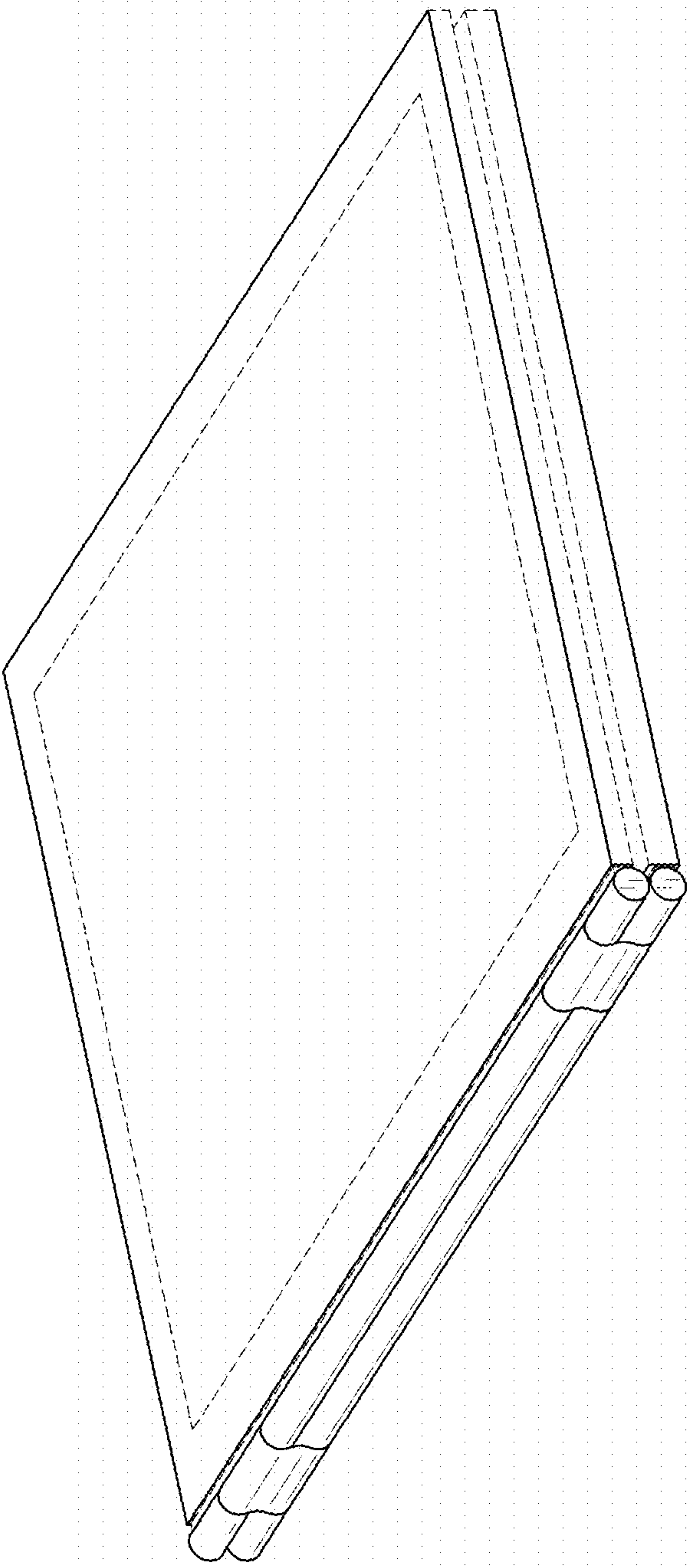
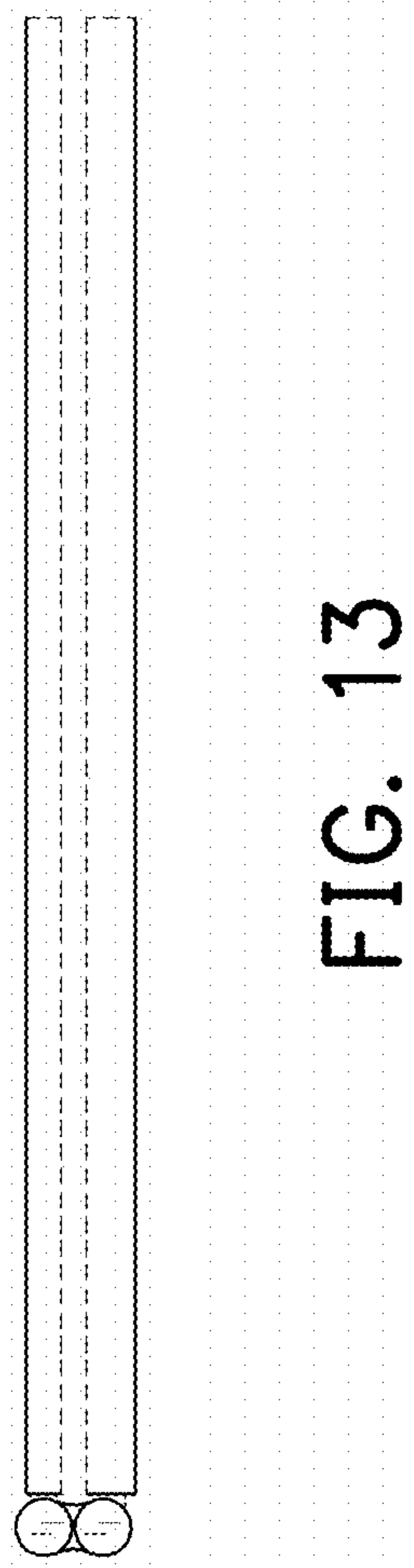


FIG. 12





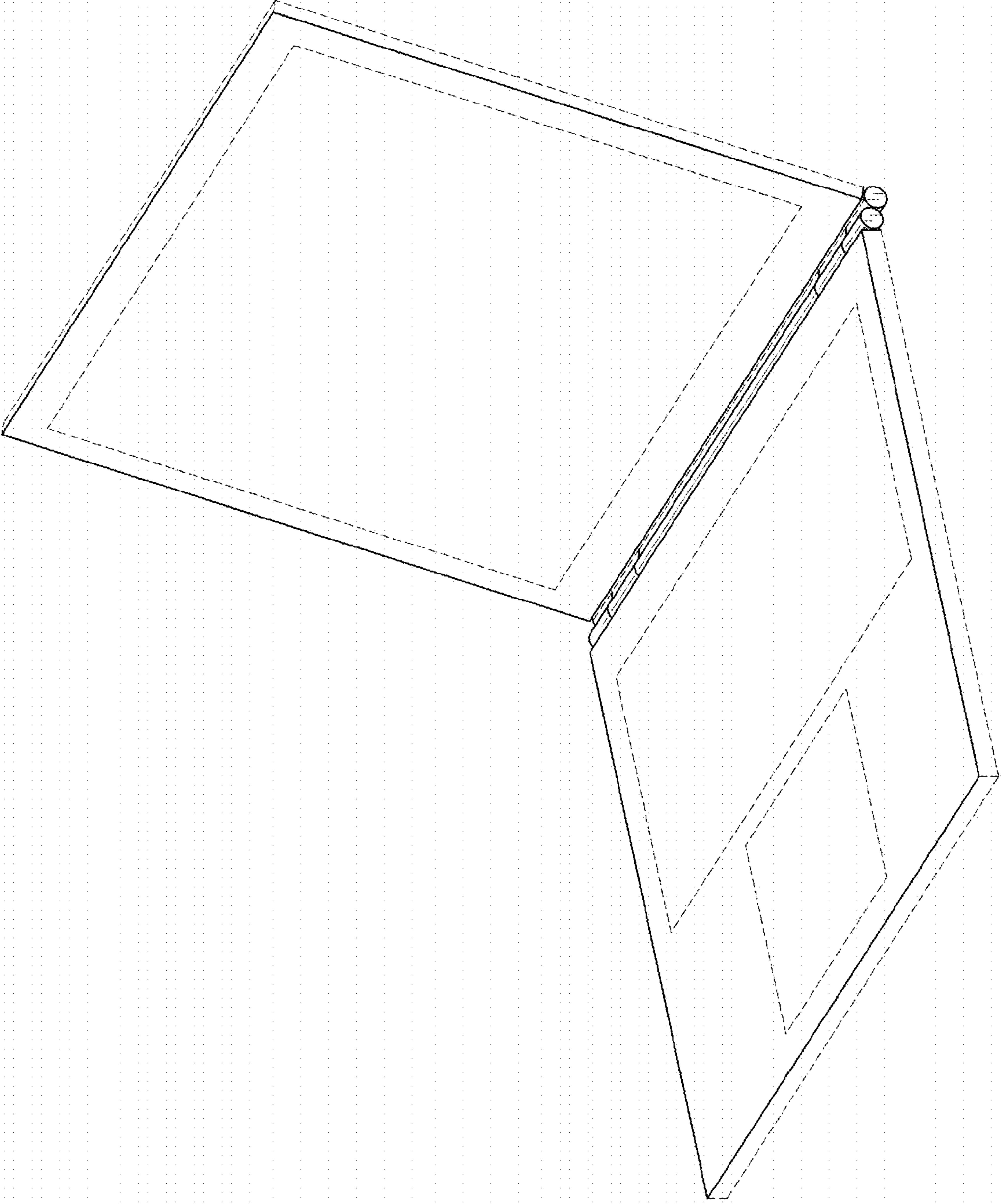


FIG. 14

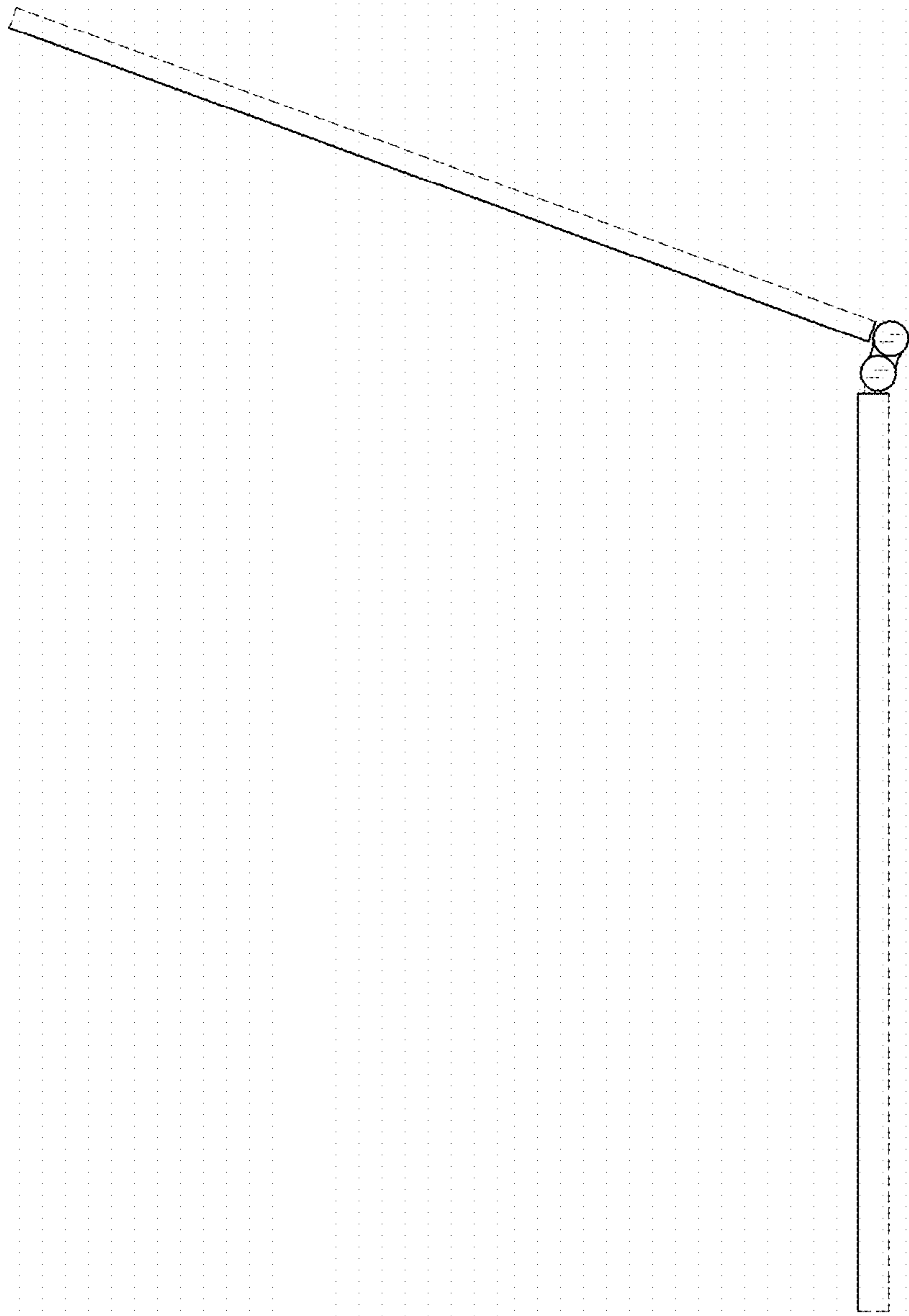


FIG. 15