



US00D917456S

(12) **United States Design Patent** (10) **Patent No.:** **US D917,456 S**  
**Hsieh et al.** (45) **Date of Patent:** **\*\* Apr. 27, 2021**

(54) **INFORMATION HANDLING SYSTEM**

FOREIGN PATENT DOCUMENTS

(71) Applicant: **Dell Products L.P.**, Round Rock, TX (US)

CN 305679082 \* 4/2020 ..... 14/2  
JP D1445631 \* 7/2012 ..... 14/2

(72) Inventors: **Shang-Zu Hsieh**, New Taipei (TW);  
**Eid-Beng Goh**, Taipei (TW)

OTHER PUBLICATIONS

(73) Assignee: **Dell Products L.P.**, Round Rock, TX (US)

G7 15 Gaming Laptop, Dell, pcworld.com, published by Ben Patterson on Sep. 14, 2018 © 2020 IDF Communications, Inc., online, site visited Apr. 20, 2020. Available from Internet, URL: <https://www.pcworld.com/article/3303557/dell-g7-15-7588-review.html> (Year: 2018).\*

(\*\*) Term: **15 Years**

(Continued)

(21) Appl. No.: **29/682,901**

*Primary Examiner* — Marissa J Cash

(22) Filed: **Mar. 8, 2019**

*Assistant Examiner* — Altaira J Swangin

(51) **LOC (13) Cl.** ..... **14-02**

(74) *Attorney, Agent, or Firm* — Zagorin Cave LLP;  
Robert W. Holland

(52) **U.S. Cl.**

(57) **CLAIM**

USPC ..... **D14/315**

The ornamental design for an information handling system, as shown and described.

(58) **Field of Classification Search**

**DESCRIPTION**

USPC ..... D14/203.4, 203.6, 247, 345–346,  
D14/315–327, 391–399, 434, 455–457,  
D14/477, 507, 509; D18/1–2, 4.1–4.6, 7,  
D18/11; 235/145 A, 145 R; 341/22–23;  
345/104, 156, 168–169, 173; 361/679.08,  
361/679.09, 679.11, 679.26, 679.27;  
708/142, 146; 400/489; D11/132;  
D24/186

FIG. 1 is a front perspective view of the information handling system showing the new design; FIG. 2 is a front elevation view thereof; FIG. 3 is a rear elevation view thereof; FIG. 4 is a right side view thereof; FIG. 5 is a left side view thereof; FIG. 6 is a top view thereof; FIG. 7 is a bottom view thereof; FIG. 8 is a bottom perspective view thereof; and, FIG. 9 is a front perspective environmental view of the information handling system of FIGS. 1-8 shown in an open position.

CPC ..... B41J 5/00; B41J 5/10; B41J 5/12; F16M 11/10; G06F 3/0219; G06F 3/02

See application file for complete search history.

Broken lines immediately adjacent shaded and claimed surfaces, represent boundaries of the claim and form no part thereof; all other broken lines shown in the drawings illustrate portions of the information handling system, and form no part of the claimed design.

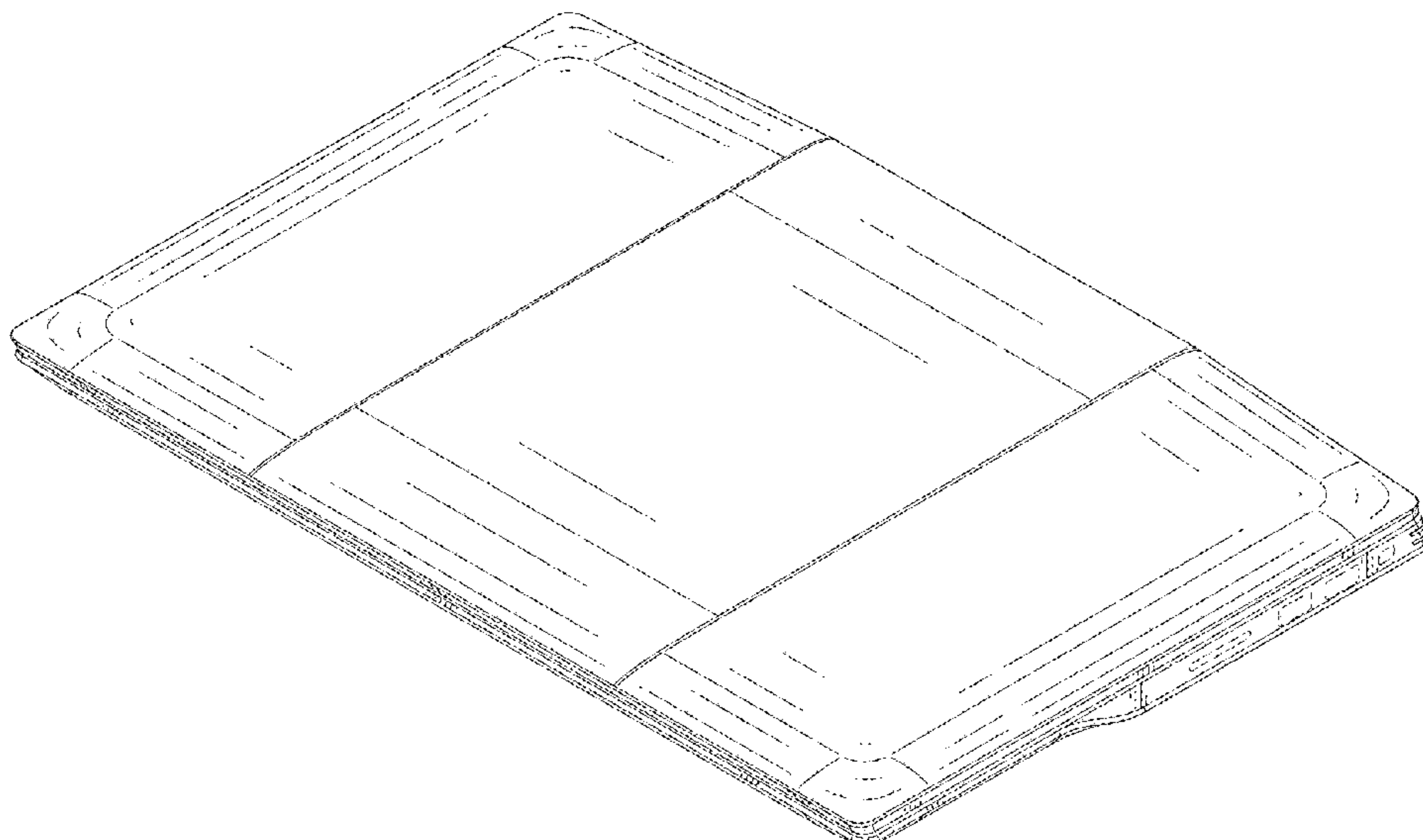
(56) **References Cited**

U.S. PATENT DOCUMENTS

D308,051 S \* 5/1990 Sakai ..... D14/323  
D424,032 S \* 5/2000 Andre ..... D14/318  
D428,255 S \* 7/2000 Kandalepas ..... D3/273  
D430,869 S \* 9/2000 Lee ..... D14/318  
D452,686 S \* 1/2002 Chen ..... D14/318

(Continued)

**1 Claim, 6 Drawing Sheets**



(56)

References Cited

U.S. PATENT DOCUMENTS

D468,309 S \* 1/2003 Goldenberg ..... D14/368  
 D494,220 S \* 8/2004 Yu ..... D14/315  
 D565,563 S \* 4/2008 Kaneshiro ..... D14/315  
 D586,798 S \* 2/2009 Tanaka ..... D14/315  
 D591,283 S \* 4/2009 Luminosu ..... D14/318  
 D591,738 S \* 5/2009 Luminosu ..... D14/318  
 D606,990 S \* 12/2009 Chen ..... D14/315  
 D613,734 S \* 4/2010 Sun ..... D14/315  
 D626,548 S \* 11/2010 Kim ..... D14/327  
 D669,067 S \* 10/2012 Cruz ..... D14/315  
 D673,557 S \* 1/2013 Cruz ..... D14/315  
 D693,337 S \* 11/2013 Chen ..... D14/315  
 D693,338 S \* 11/2013 Chen ..... D14/315  
 D698,349 S \* 1/2014 Sun ..... D14/315  
 D714,777 S 10/2014 Chang et al.  
 D720,741 S 1/2015 Leonard et al.  
 D734,320 S \* 7/2015 Wu ..... D14/315  
 D747,322 S \* 1/2016 Li ..... D14/447  
 D751,543 S \* 3/2016 Chon ..... D14/327  
 D752,575 S \* 3/2016 Riddiford ..... D14/315  
 D757,711 S \* 5/2016 Henderson ..... D14/324  
 D758,360 S \* 6/2016 Lyles ..... D14/315

D770,442 S \* 11/2016 Tu ..... D14/315  
 D781,281 S \* 3/2017 Lyles ..... D14/315  
 D791,120 S \* 7/2017 Leonard ..... D14/316  
 D797,718 S \* 9/2017 Chu ..... D14/315  
 D804,467 S \* 12/2017 Probst ..... D14/315  
 D813,860 S \* 3/2018 Doczy ..... D14/315  
 D813,861 S \* 3/2018 Goh ..... D14/315  
 D826,923 S \* 8/2018 Lee ..... D14/315  
 D829,707 S \* 10/2018 Tin ..... D14/315  
 D829,710 S \* 10/2018 Seoc ..... D14/315  
 D835,095 S \* 12/2018 Goh ..... D14/315  
 D837,202 S \* 1/2019 Lee ..... D14/315  
 D877,734 S \* 3/2020 Cha ..... D14/327  
 10,803,306 B2 \* 10/2020 Bai ..... H04N 5/23216

OTHER PUBLICATIONS

Design U.S. Appl. No. 29/669,204, filed Nov. 6, 2018, entitled "Convertible Information Handling System".  
 Patterson, B., "Dell G3 15 (3579) review: This budget gaming laptop makes the most of what it's got," Sep. 8, 2018, downloaded from <https://www.pcworld.com/article/3301342/dell-g3-15/3579-review-budget-gaming-laptop.html>, 9 pages.

\* cited by examiner

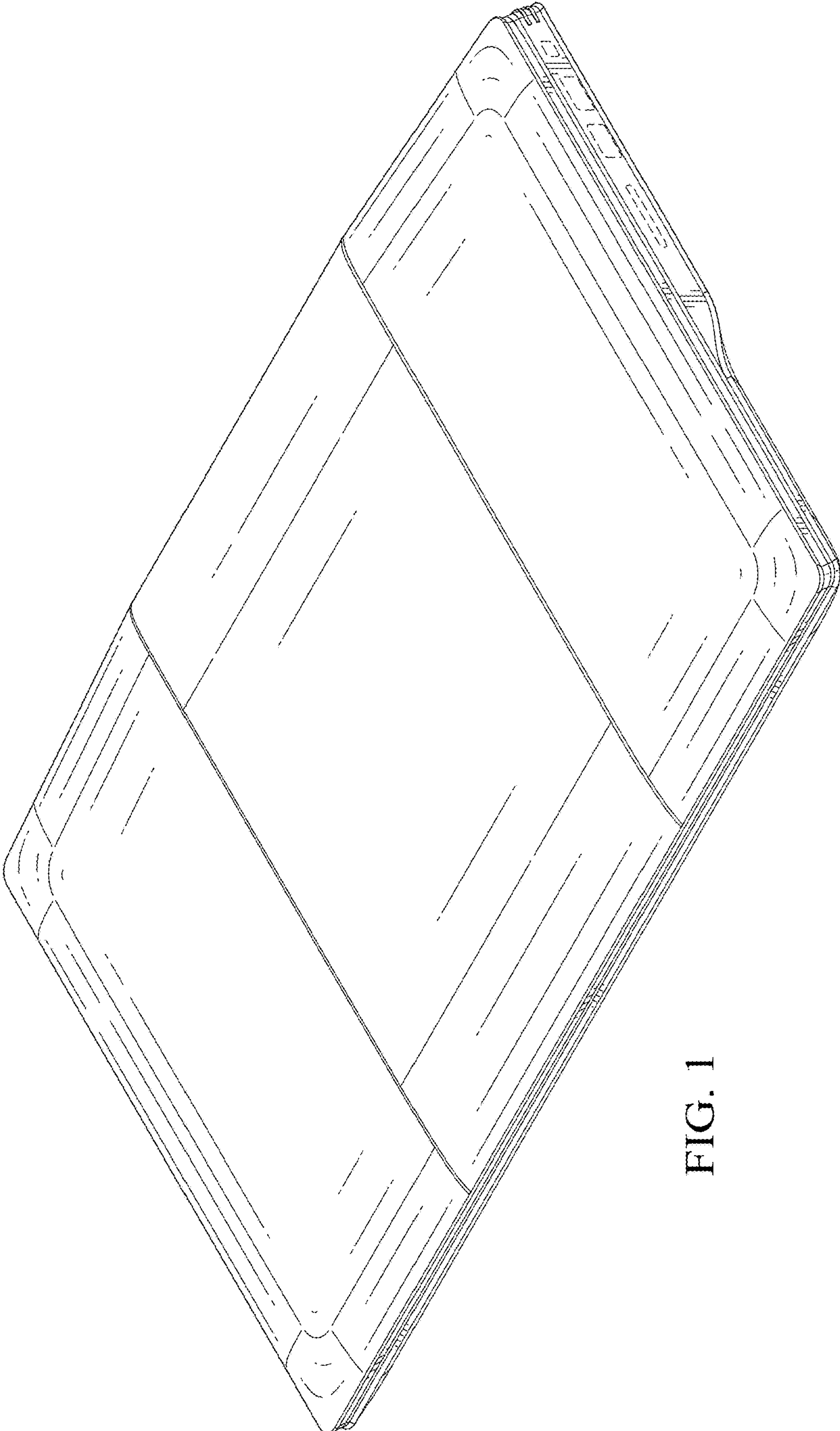


FIG. 1



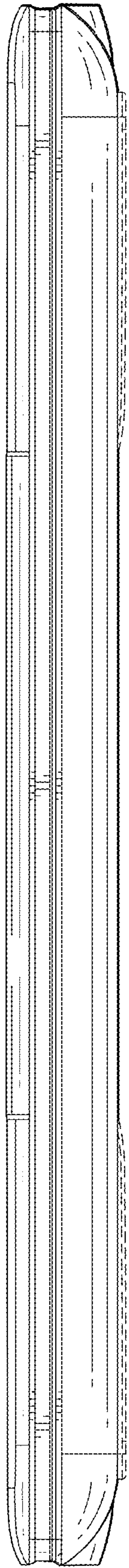


FIG. 2

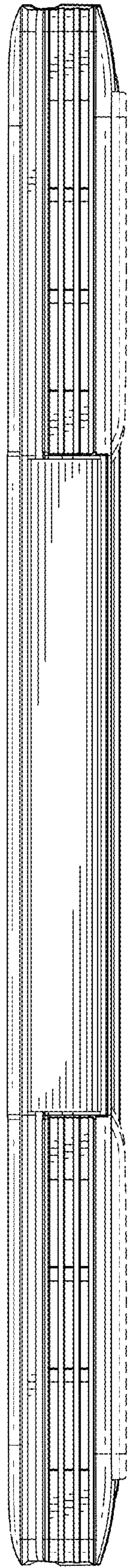


FIG. 3

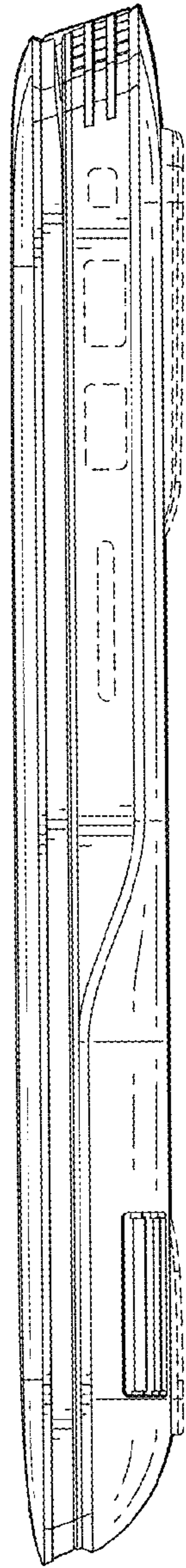


FIG. 4

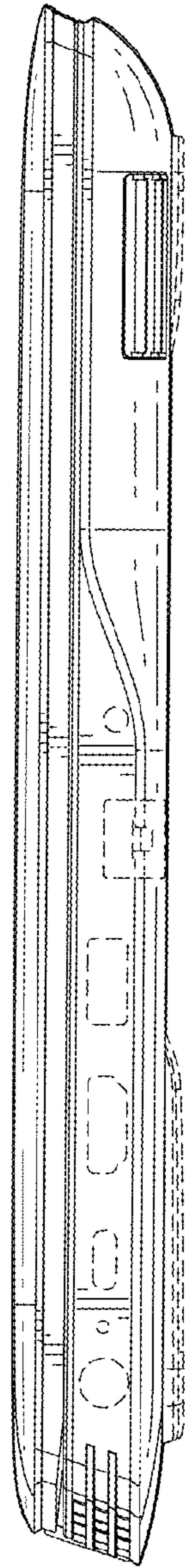


FIG. 5

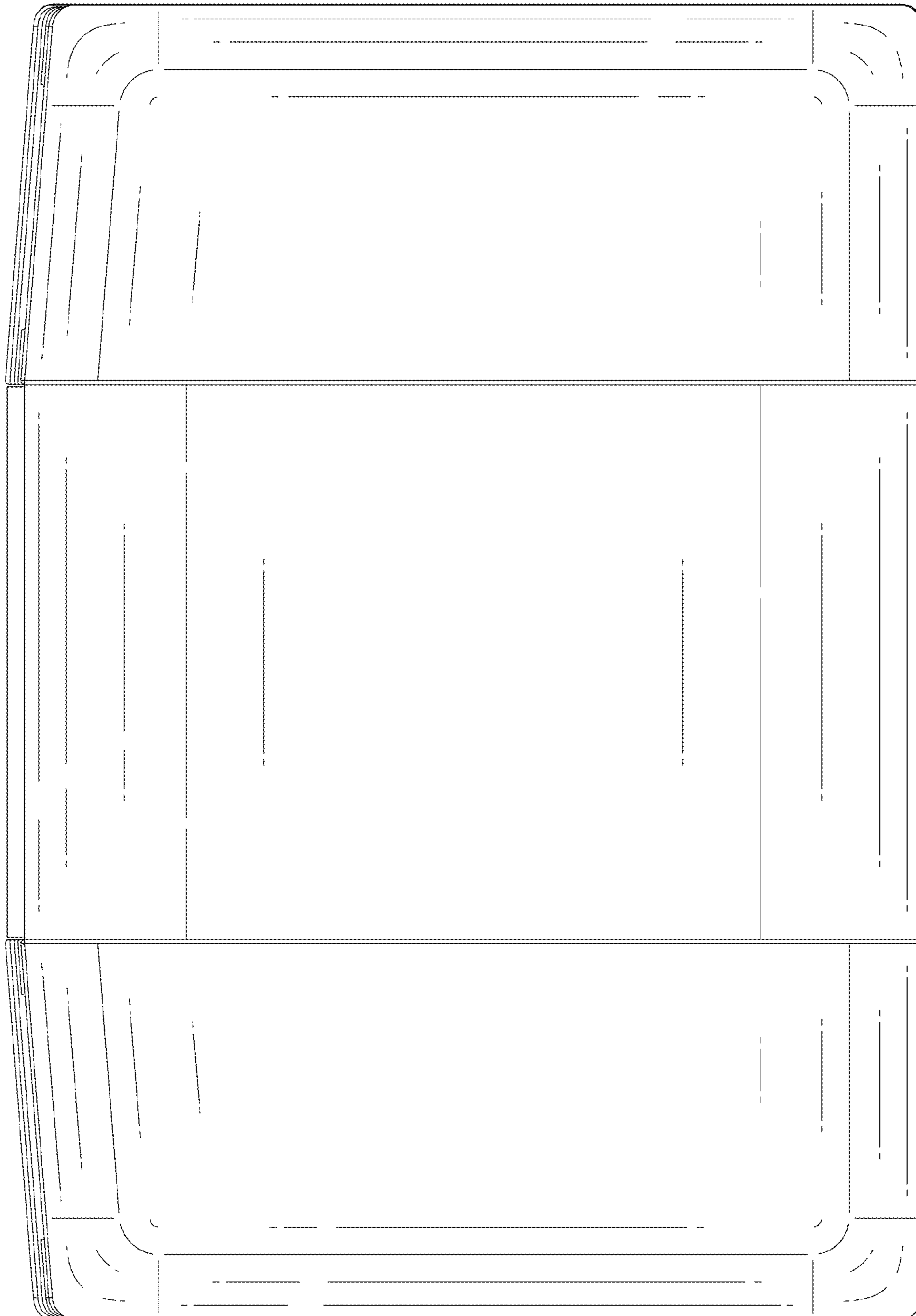


FIG. 6

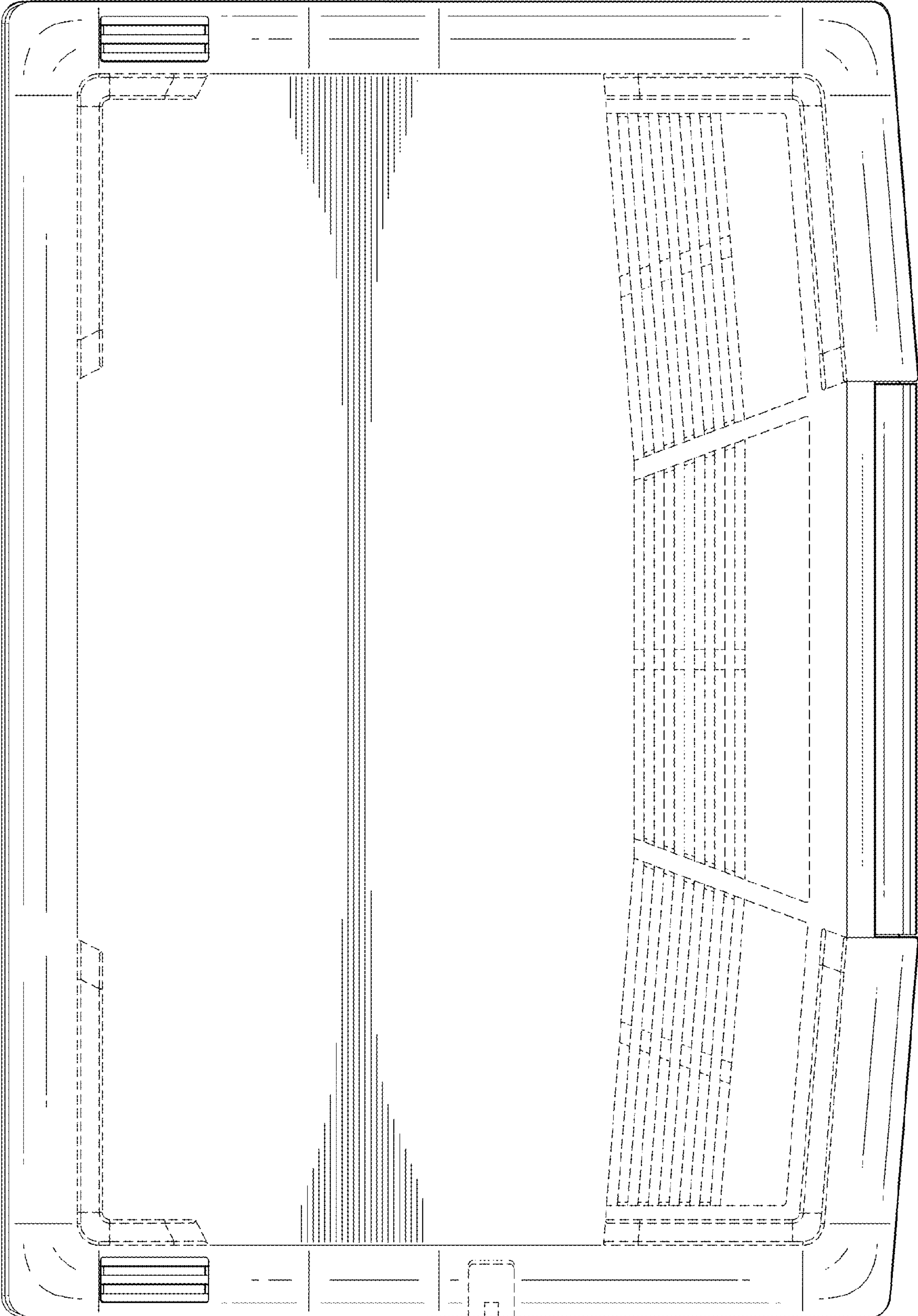


FIG. 7



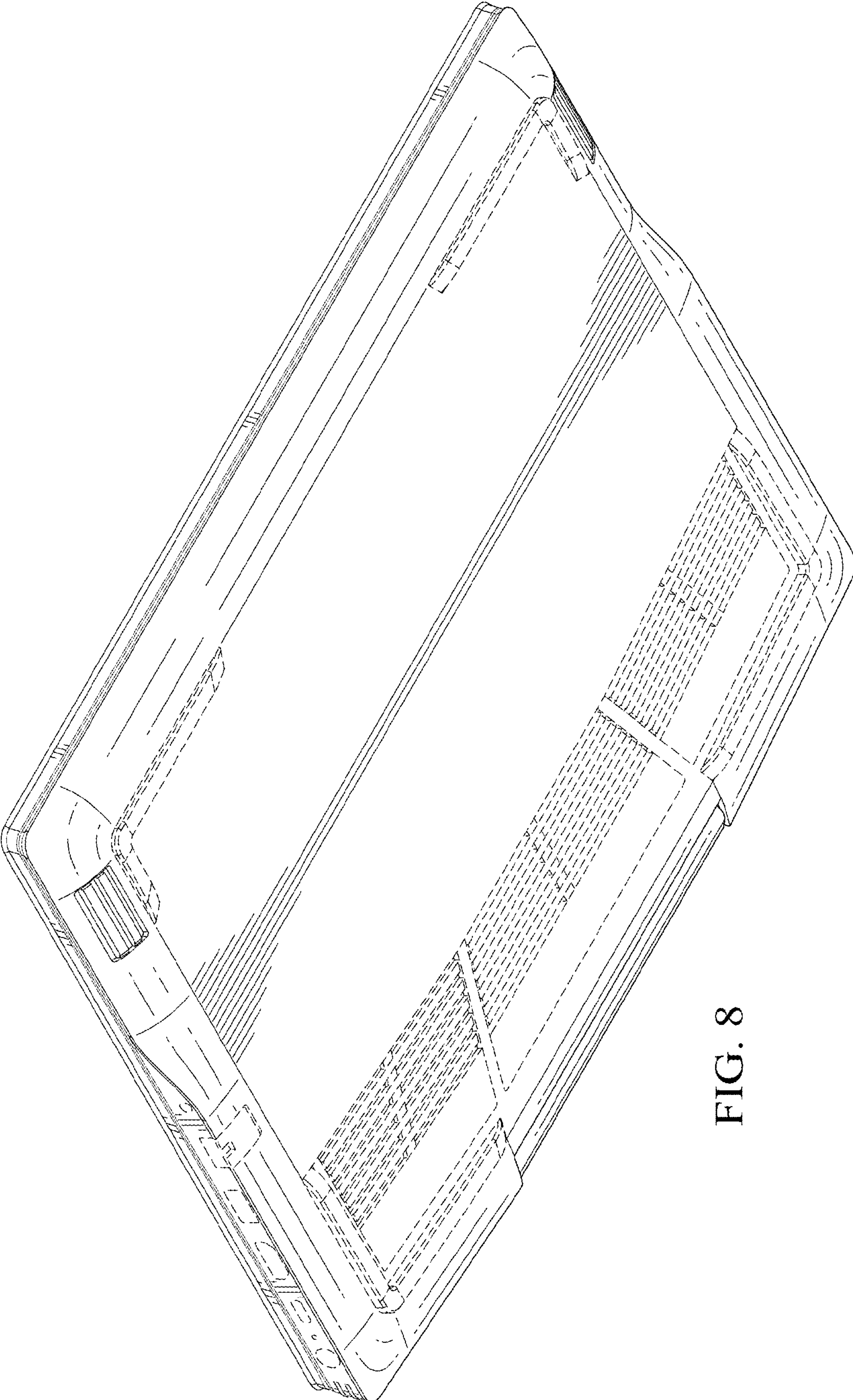


FIG. 8

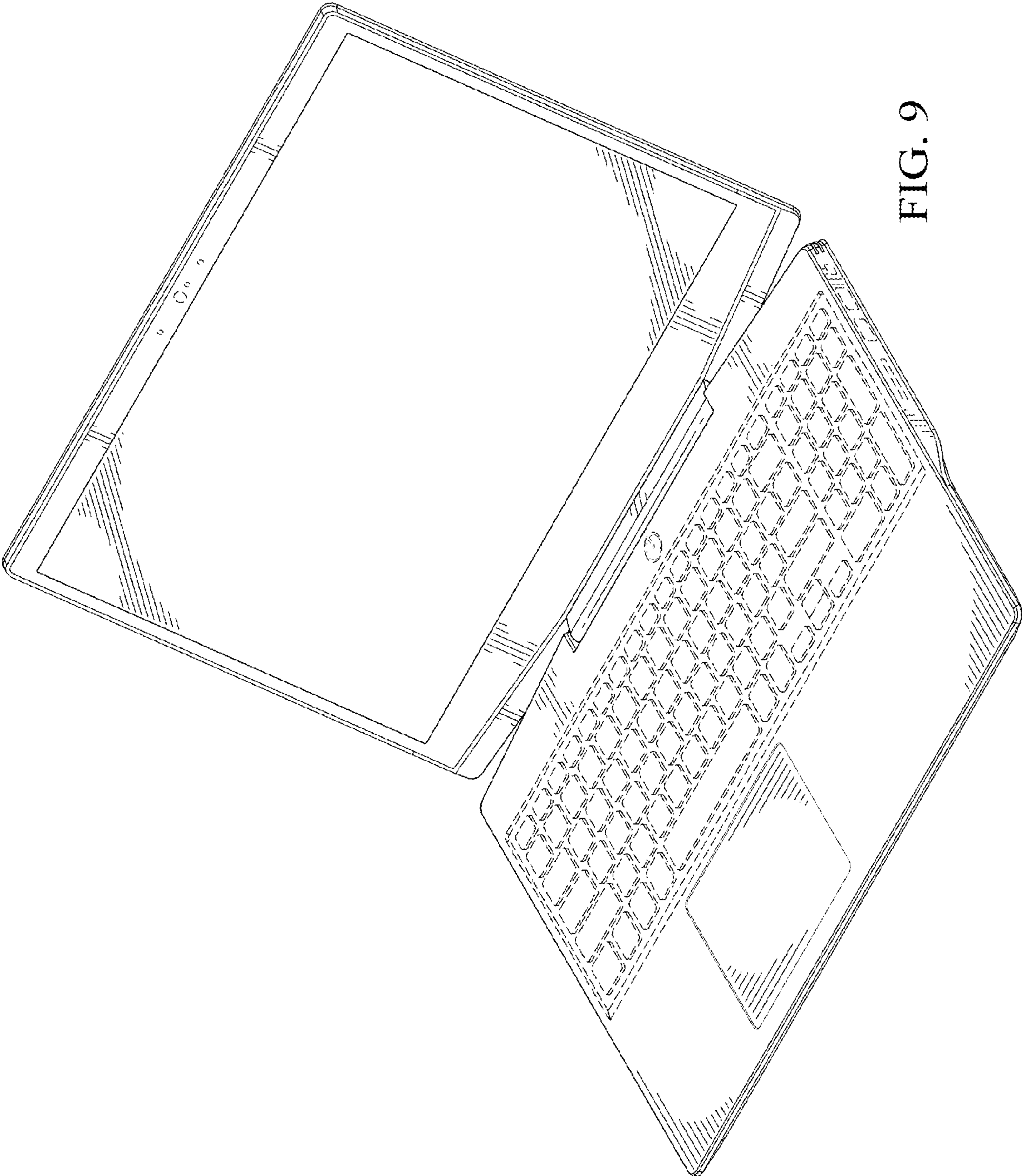


FIG. 9