



US00D917455S

(12) **United States Design Patent**  
**Chen et al.**

(10) **Patent No.:** **US D917,455 S**  
(45) **Date of Patent:** **\*\* Apr. 27, 2021**

(54) **NOTEBOOK COMPUTER**

(71) Applicants: **Kung-Ju Chen**, Taipei (TW);  
**Meng-Huan Tsai**, Taipei (TW);  
**Yen-Hua Hsiao**, Taipei (TW);  
**Yun-Tung Pai**, Taipei (TW); **Chia-Chi Sun**, Taipei (TW); **Chia-Hua Wu**, Taipei (TW)

(72) Inventors: **Kung-Ju Chen**, Taipei (TW);  
**Meng-Huan Tsai**, Taipei (TW);  
**Yen-Hua Hsiao**, Taipei (TW);  
**Yun-Tung Pai**, Taipei (TW); **Chia-Chi Sun**, Taipei (TW); **Chia-Hua Wu**, Taipei (TW)

(73) Assignee: **COMPAL ELECTRONICS, INC.**, Taipei (TW)

(\*\*) Term: **15 Years**

(21) Appl. No.: **29/606,350**

(22) Filed: **Jun. 3, 2017**

(51) **LOC (13) Cl.** ..... **14-02**

(52) **U.S. Cl.**  
USPC ..... **D14/315; D14/450**

(58) **Field of Classification Search**  
USPC ..... D14/315–328, 331, 334–336, 339–340,  
D14/374, 448–450, 138 AD; D18/1–2, 7,  
D18/11, 12.2–12.3

(Continued)

(56) **References Cited**

**U.S. PATENT DOCUMENTS**

D68,954 S \* 12/1925 Dowd ..... D18/1  
D232,834 S \* 9/1974 Masafumi ..... D18/7

(Continued)

**OTHER PUBLICATIONS**

Sohail, Omar, Galaxy S8 and Its Bezel-Less Curved Display Might Not Make Customers Happy, posted at WCCFTech, posting date

Dec. 12, 2016. Site visited Oct. 31, 2019. URL: <<https://wccftch.com/galaxy-s8-not-make-customers-happy/>> (Year: 2016).\*

(Continued)

*Primary Examiner* — Kathleen L Jones  
(74) *Attorney, Agent, or Firm* — JCIPRNET

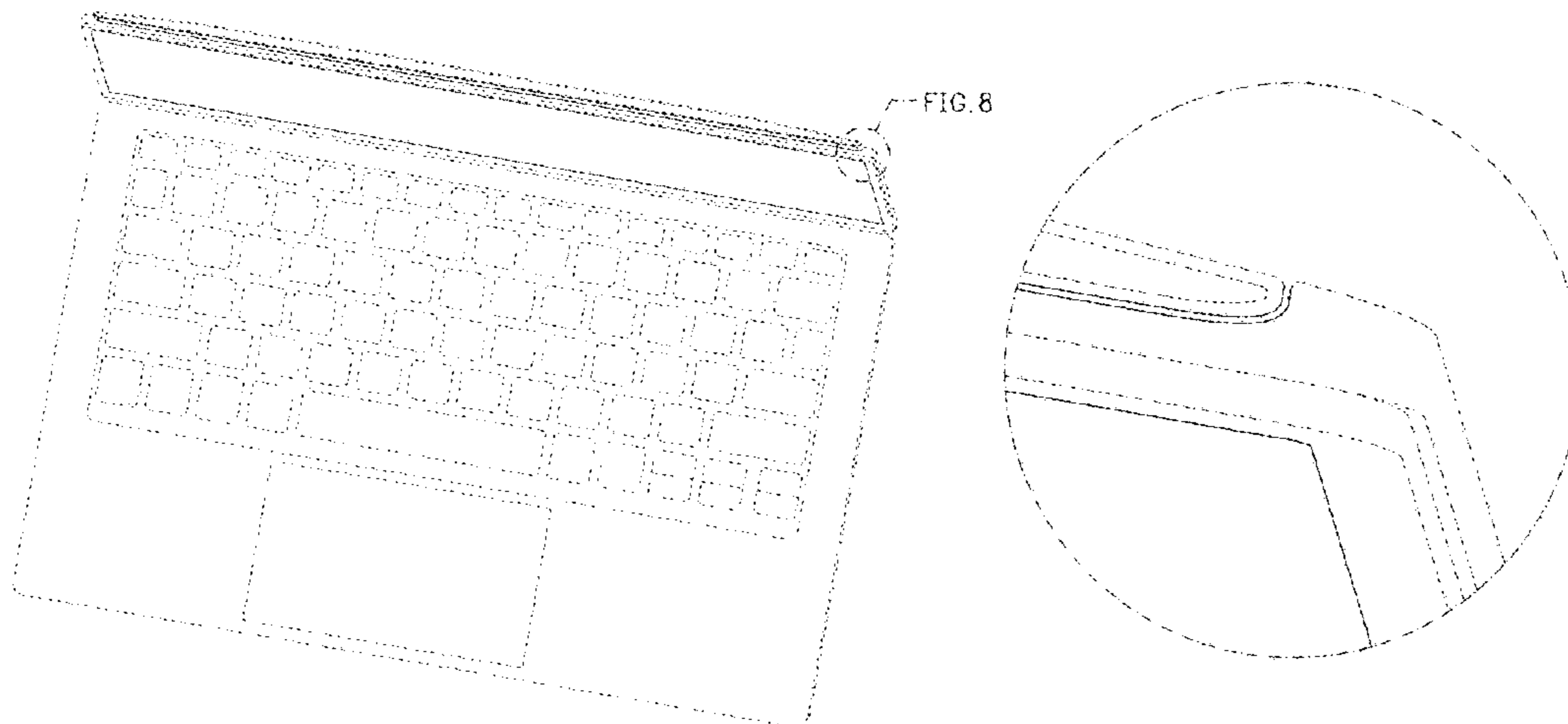
(57) **CLAIM**

The ornamental design for a notebook computer, as shown and described.

**DESCRIPTION**

FIG. 1 is a perspective view of a notebook computer showing our new design with the lid slid out; FIG. 2 is a front view thereof with the lid slid out; FIG. 3 is a rear view thereof with the lid slid out; FIG. 4 is a left side view thereof with the lid slid out; FIG. 5 is a right side view thereof with the lid slid out; FIG. 6 is a top view thereof with the lid slid out; FIG. 7 is a bottom view thereof with the lid slid out; FIG. 8 is an enlarged view of an indicated portion in FIG. 1 with the lid slid out; FIG. 9 is an enlarged view of an indicated portion in FIG. 2 with the lid slid out; FIG. 10 is an enlarged view of an indicated portion in FIG. 6 with the lid slid out; FIG. 11 is a perspective view thereof with the lid slid back; FIG. 12 is a front view thereof with the lid slid back; FIG. 13 is a rear view thereof with the lid slid back; FIG. 14 is a left side view thereof with the lid slid back; FIG. 15 is a right side view thereof with the lid slid back; FIG. 16 is a top view thereof with the lid slid back; FIG. 17 is a bottom view thereof with the lid slid back; FIG. 18 is an enlarged view of an indicated portion in FIG. 11 with the lid slid back; FIG. 19 is an enlarged view of an indicated portion in FIG. 12 with the lid slid back; and, FIG. 20 is an enlarged view of an indicated portion in FIG. 16 with the lid slid back.

(Continued)



The dashed broken lines showing portions of the notebook computer are included for the purpose of illustrating portions of the article and form no part of the claimed design.

**1 Claim, 20 Drawing Sheets**

(58) **Field of Classification Search**

CPC ..... G06F 1/166; G06F 1/1613; G06F 1/1616;  
G06F 1/1618; G06F 1/162; G06F 1/1622;  
G06F 1/1624; G06F 1/1633; G06F  
1/1615; G06F 1/1643; G06F 1/1654;  
G06F 1/1669; G06F 1/203; G06F 1/1688

See application file for complete search history.

(56) **References Cited**

U.S. PATENT DOCUMENTS

D279,296 S \* 6/1985 Funato ..... D18/1  
4,569,572 A \* 2/1986 Kopich ..... H04N 5/65  
348/373  
D305,648 S \* 1/1990 Edington ..... D14/239  
D411,753 S \* 6/1999 Jobin ..... D14/449  
D421,973 S \* 3/2000 Jacobson ..... D14/450  
D422,569 S \* 4/2000 Ogasawara ..... D14/323  
D533,550 S \* 12/2006 Yamada ..... D14/318  
D547,310 S \* 7/2007 Yoon ..... D14/315  
D613,261 S \* 4/2010 Cigliano ..... D14/138 AD  
D624,911 S \* 10/2010 Lee ..... D14/315  
D636,750 S \* 4/2011 Cigliano ..... D14/138 AD  
D656,474 S \* 3/2012 Han ..... D14/138 AD  
D657,352 S \* 4/2012 Tanaka ..... D14/138 AD  
D666,620 S \* 9/2012 Harper ..... D14/448  
D666,982 S \* 9/2012 Leung ..... D14/138 AD  
D668,626 S \* 10/2012 Tamaki ..... D14/138 AD

D674,806 S \* 1/2013 Lin ..... D14/448  
D676,855 S \* 2/2013 Yoo ..... D14/448  
D680,117 S \* 4/2013 Ho ..... D14/318  
D683,726 S \* 6/2013 Morisawa ..... D14/315  
D683,727 S \* 6/2013 Xia ..... D14/315  
D686,203 S \* 7/2013 Lee ..... D14/315  
D692,407 S \* 10/2013 Kim ..... D14/138 AD  
D698,348 S \* 1/2014 Ilchan ..... D14/315  
D706,764 S \* 6/2014 Wolff ..... D14/315  
D736,779 S \* 8/2015 Moon ..... D14/448  
D737,277 S \* 8/2015 Song ..... D14/450  
D738,344 S \* 9/2015 Joung ..... D14/138 AD  
D740,776 S \* 10/2015 Kim ..... D14/138 AD  
D749,561 S \* 2/2016 Okuley ..... D14/315  
D776,652 S \* 1/2017 Kolle ..... D14/315  
D786,856 S \* 5/2017 Brehmer ..... D14/315  
D808,950 S \* 1/2018 Miele ..... D14/316  
D827,632 S \* 9/2018 Cheng ..... D14/315  
D829,708 S \* 10/2018 Wu ..... D14/315  
D863,246 S \* 10/2019 Fan ..... D14/138 AD  
D878,362 S \* 3/2020 Collins ..... D14/315  
D881,830 S \* 4/2020 Fan ..... D14/138 AD  
D883,246 S \* 5/2020 Lister ..... D14/138 AD  
D901,420 S \* 11/2020 Wang ..... D14/138 AD  
2015/0268694 A1 \* 9/2015 Hiratomo ..... G06F 1/1616  
361/679.08  
2020/0233465 A1 \* 7/2020 Lim ..... G06F 1/1673

OTHER PUBLICATIONS

Desilva, Ernest, Nokia 9 Leak Reveals Dual Zeiss Camera and Curved Bezel Less Display, posted at Droidhere, posting date Oct. 4, 2017. Site visited Oct. 31, 2019. URL: <<https://droidhere.com/10/nokia-9-leak-reveals-dual-zeiss-camera-curved-bezel-less-display/>> (Year: 2017).\*

\* cited by examiner

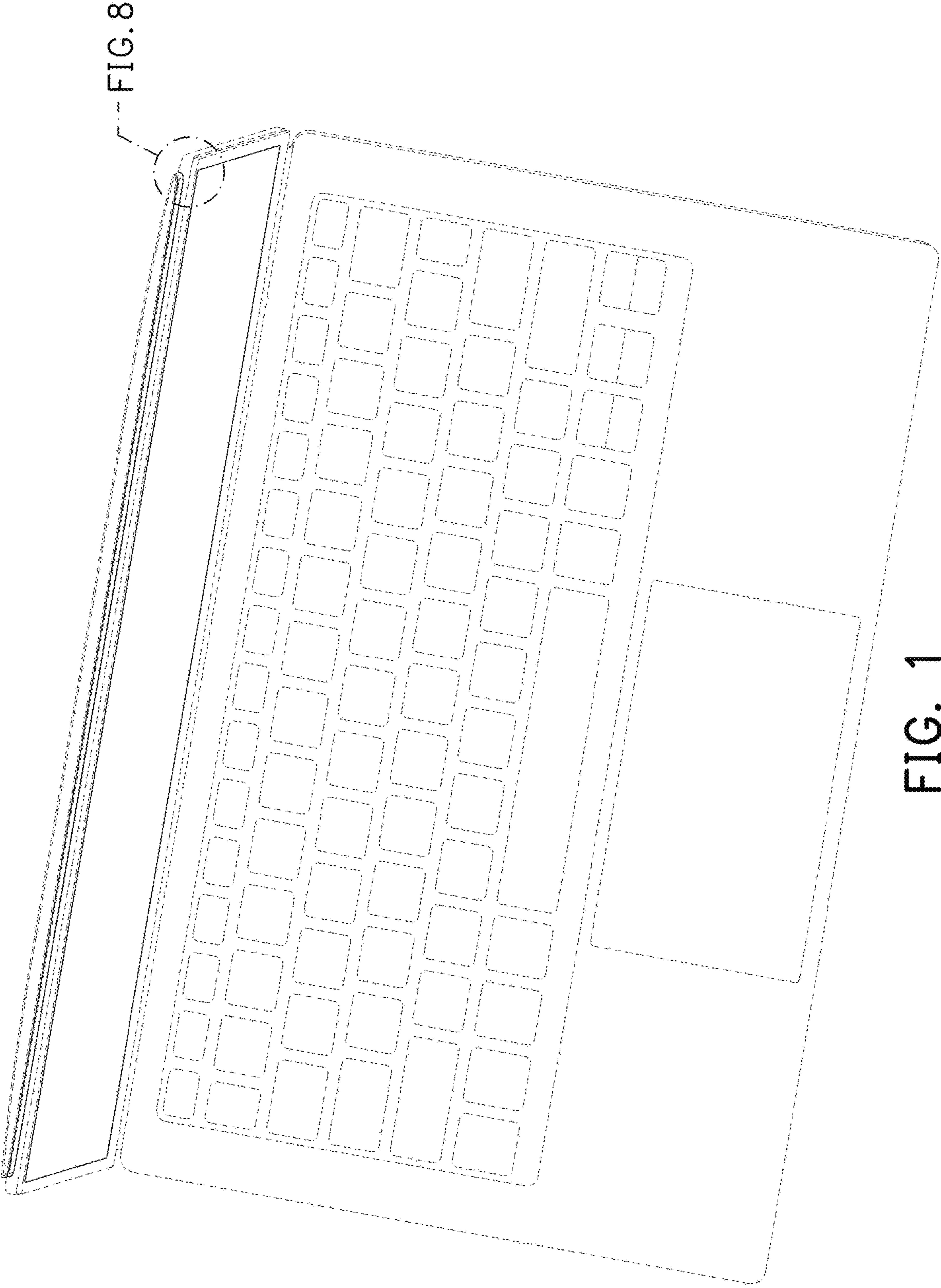


FIG. 8

FIG. 1



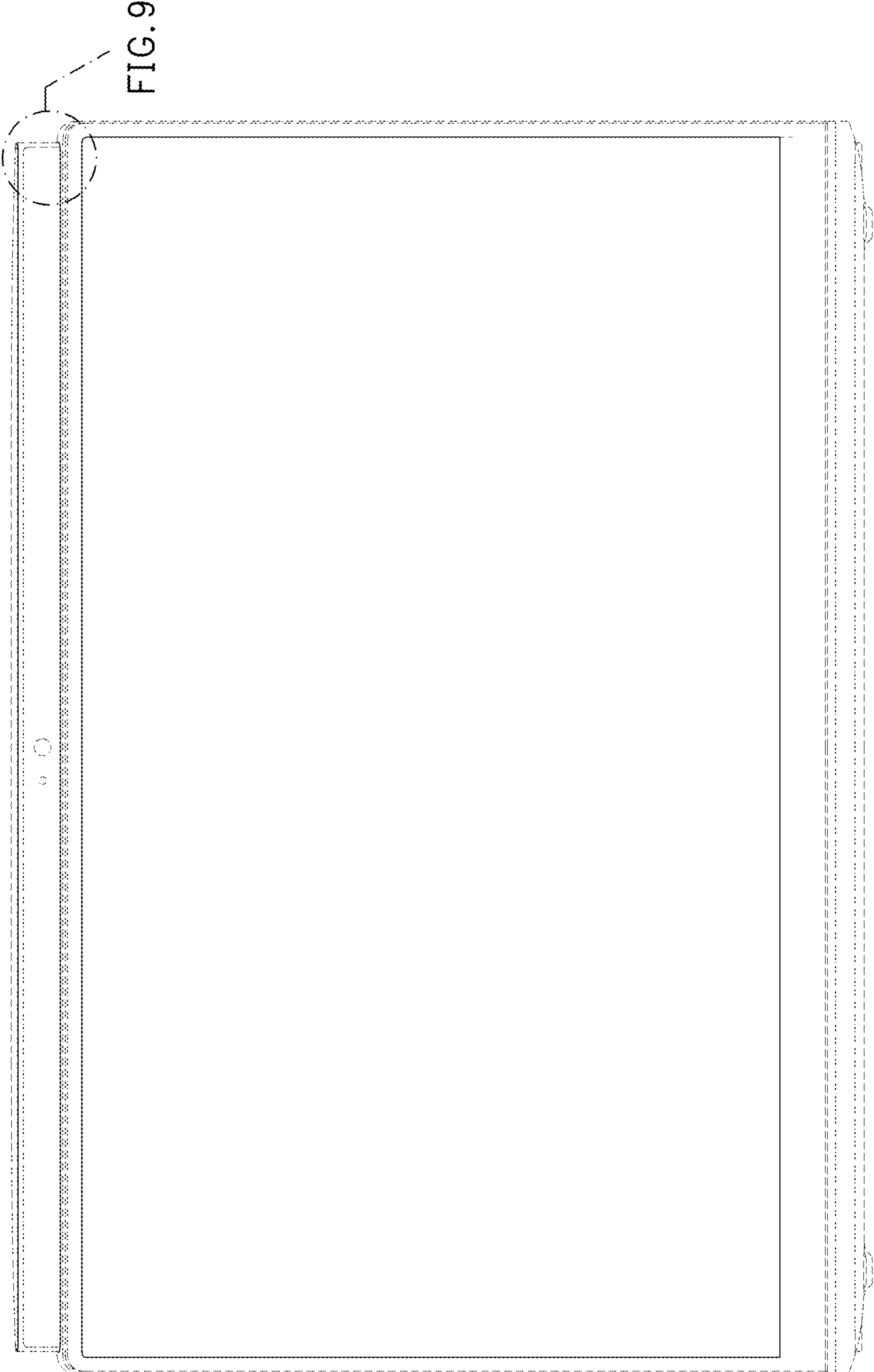


FIG. 2

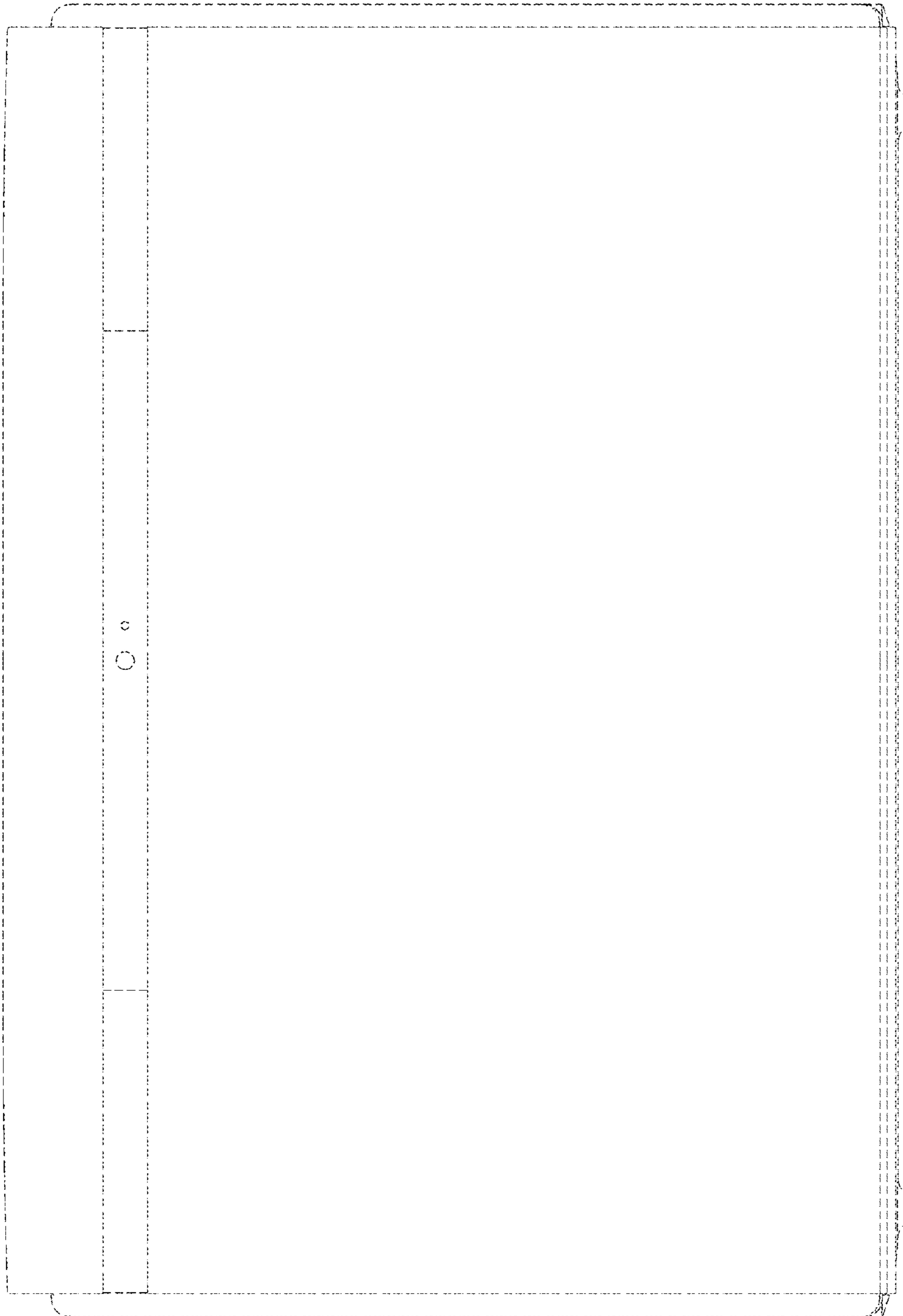


FIG. 3



FIG. 4

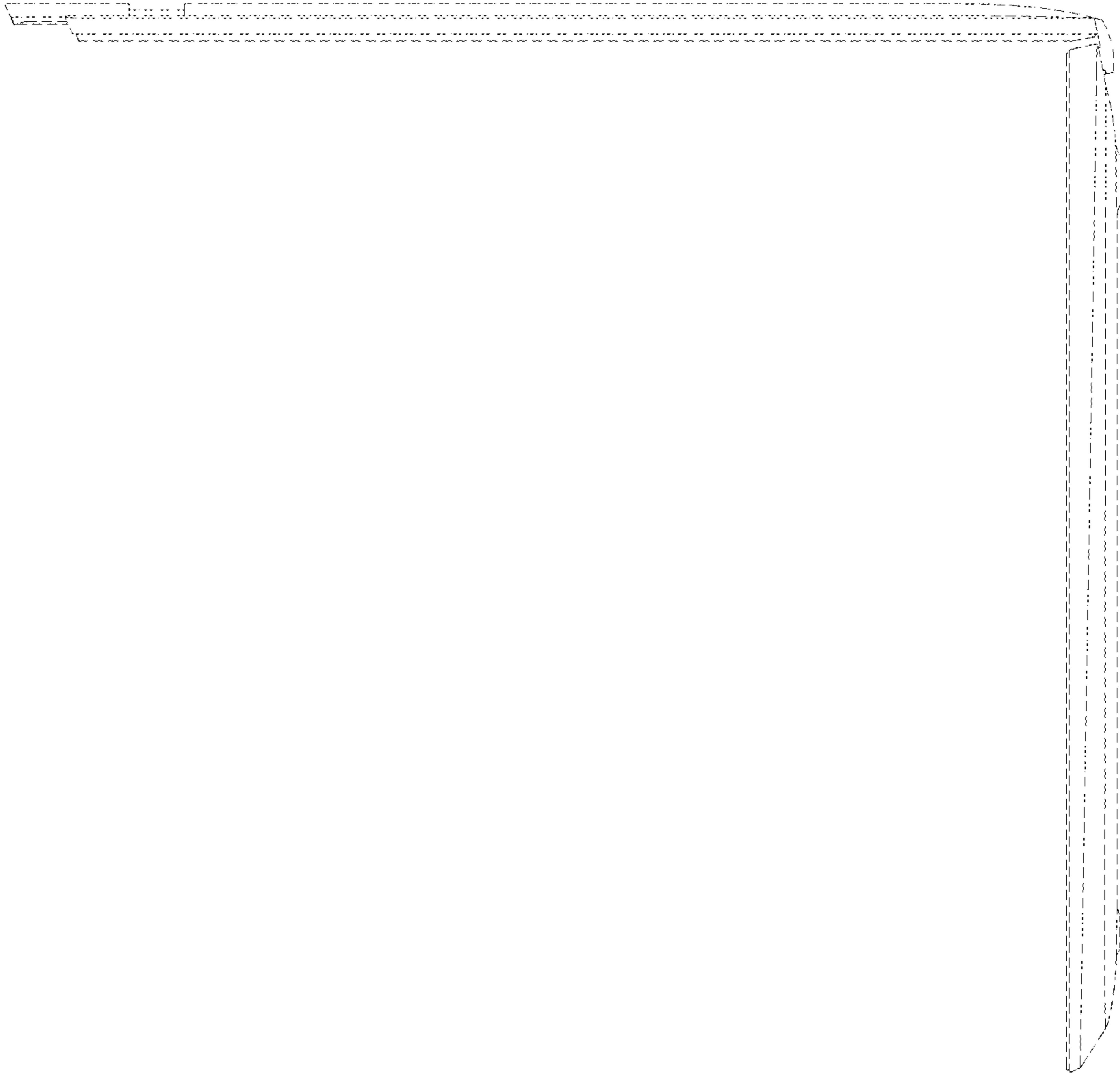


FIG. 5

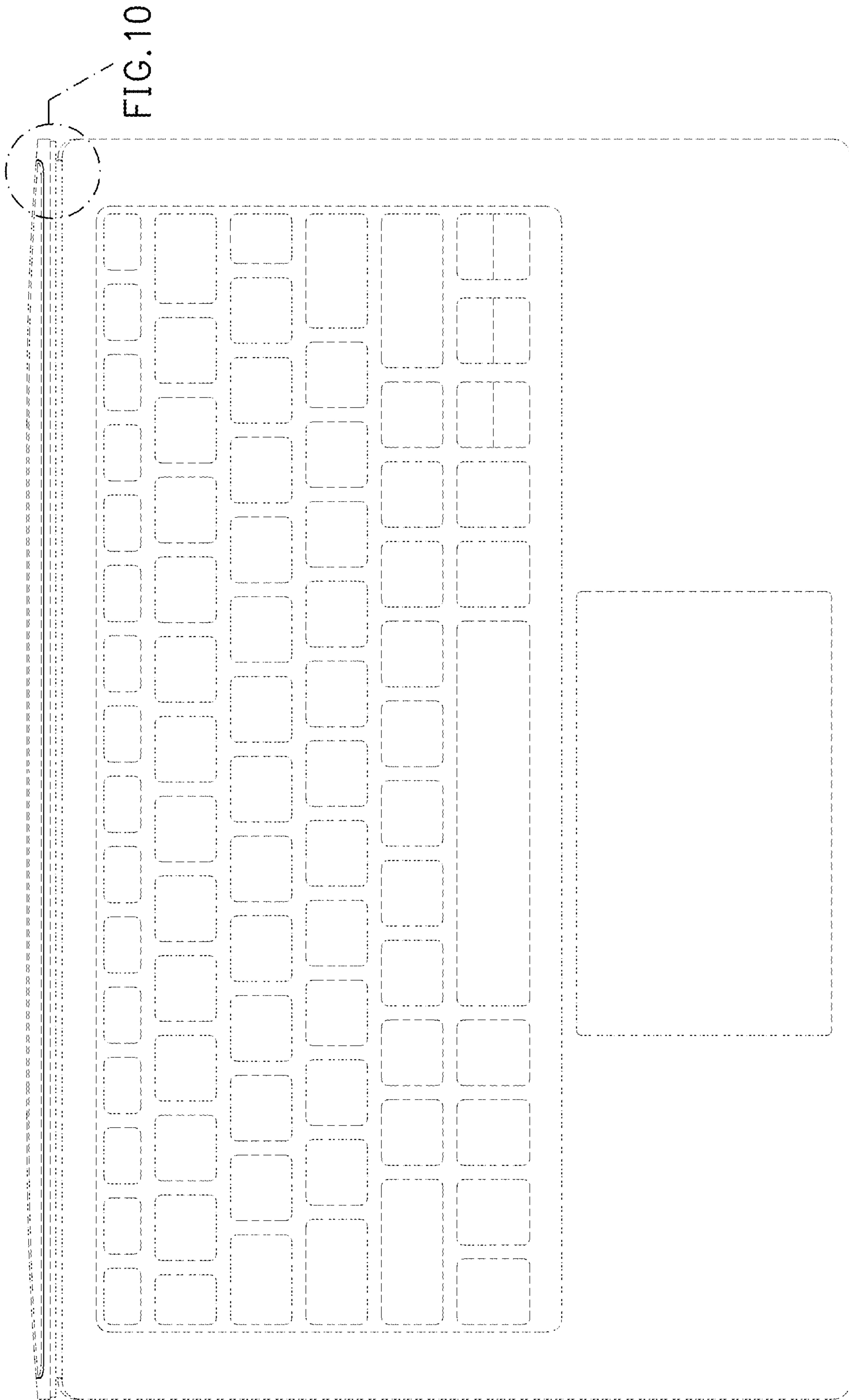


FIG. 6



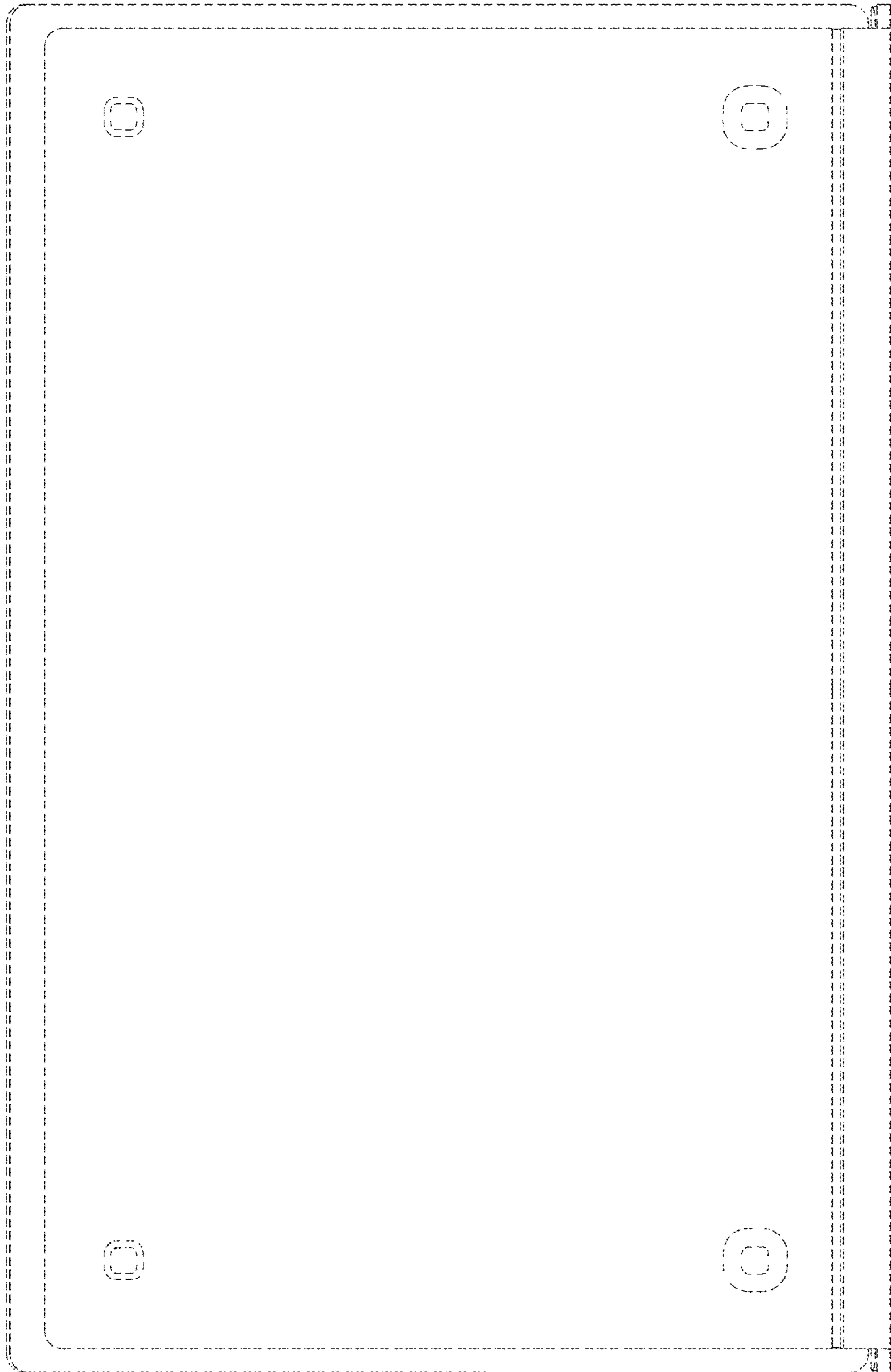


FIG. 7

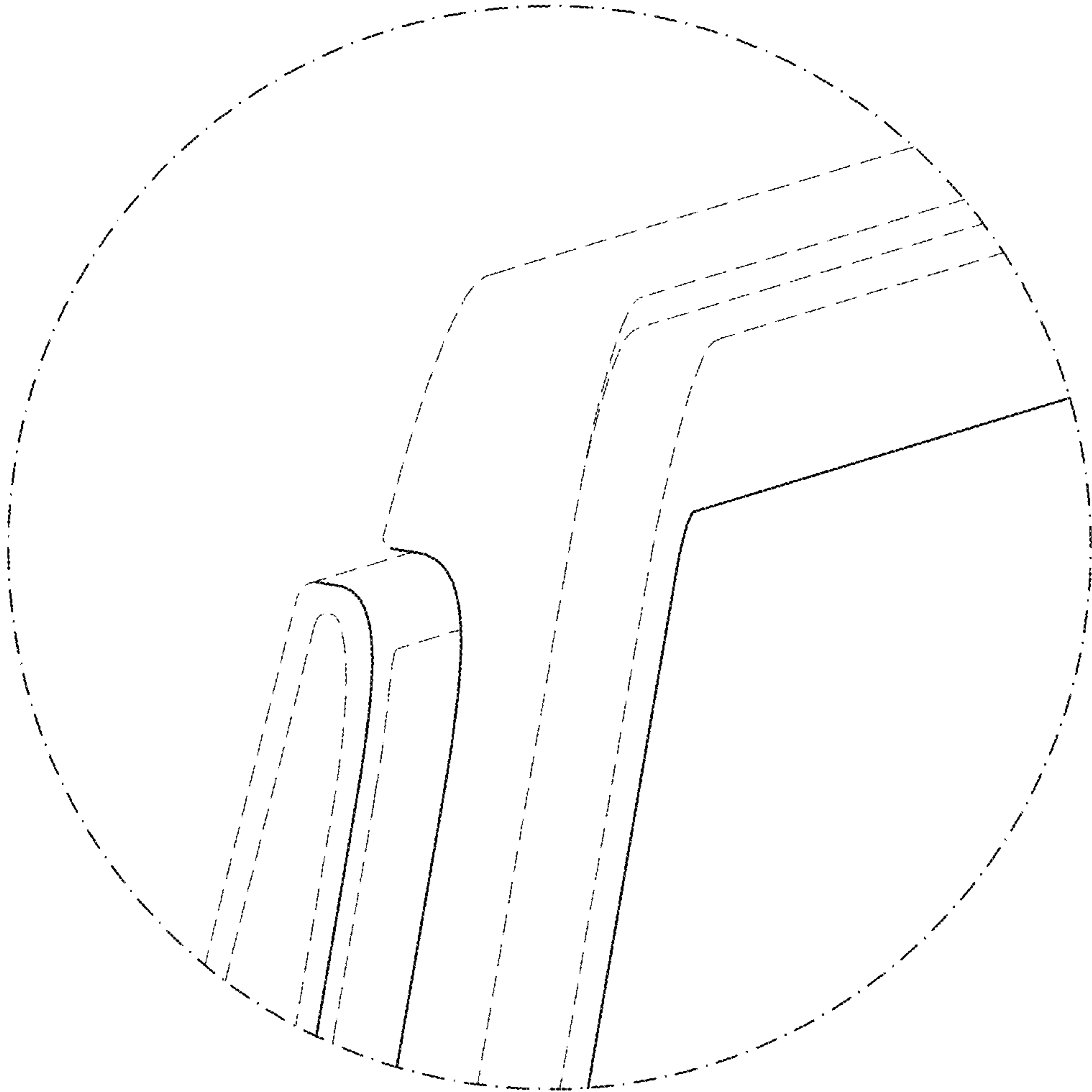


FIG. 8

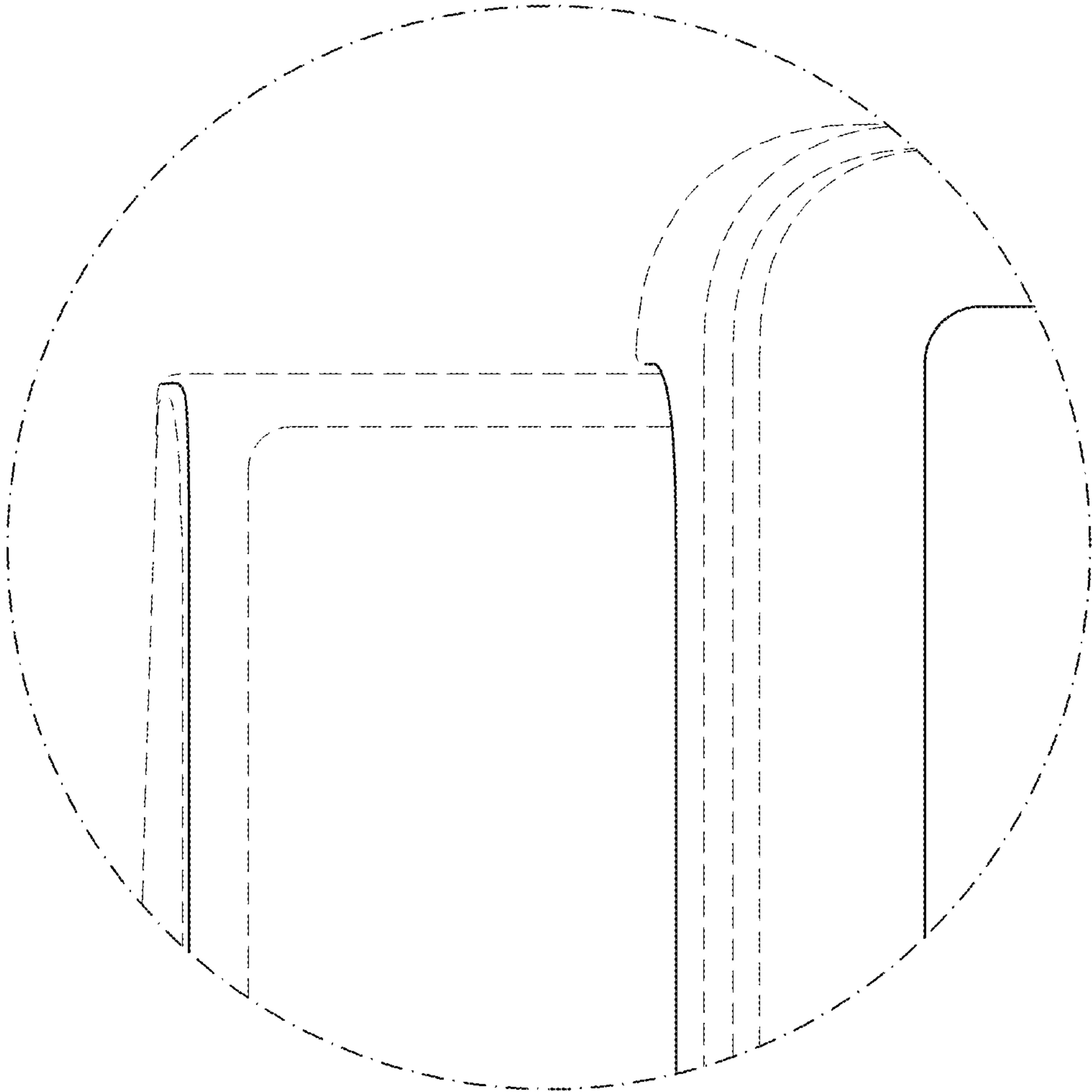


FIG. 9

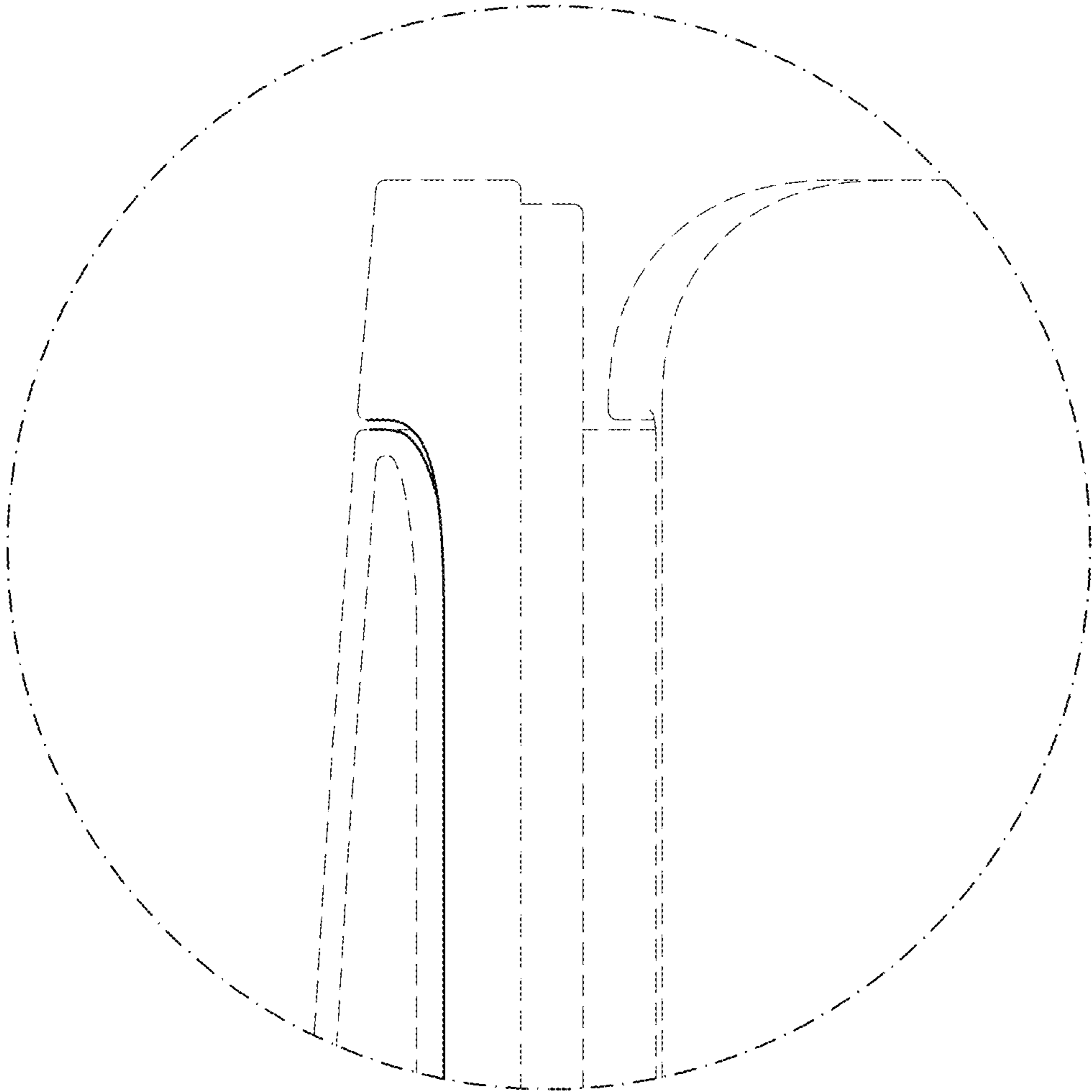


FIG. 10

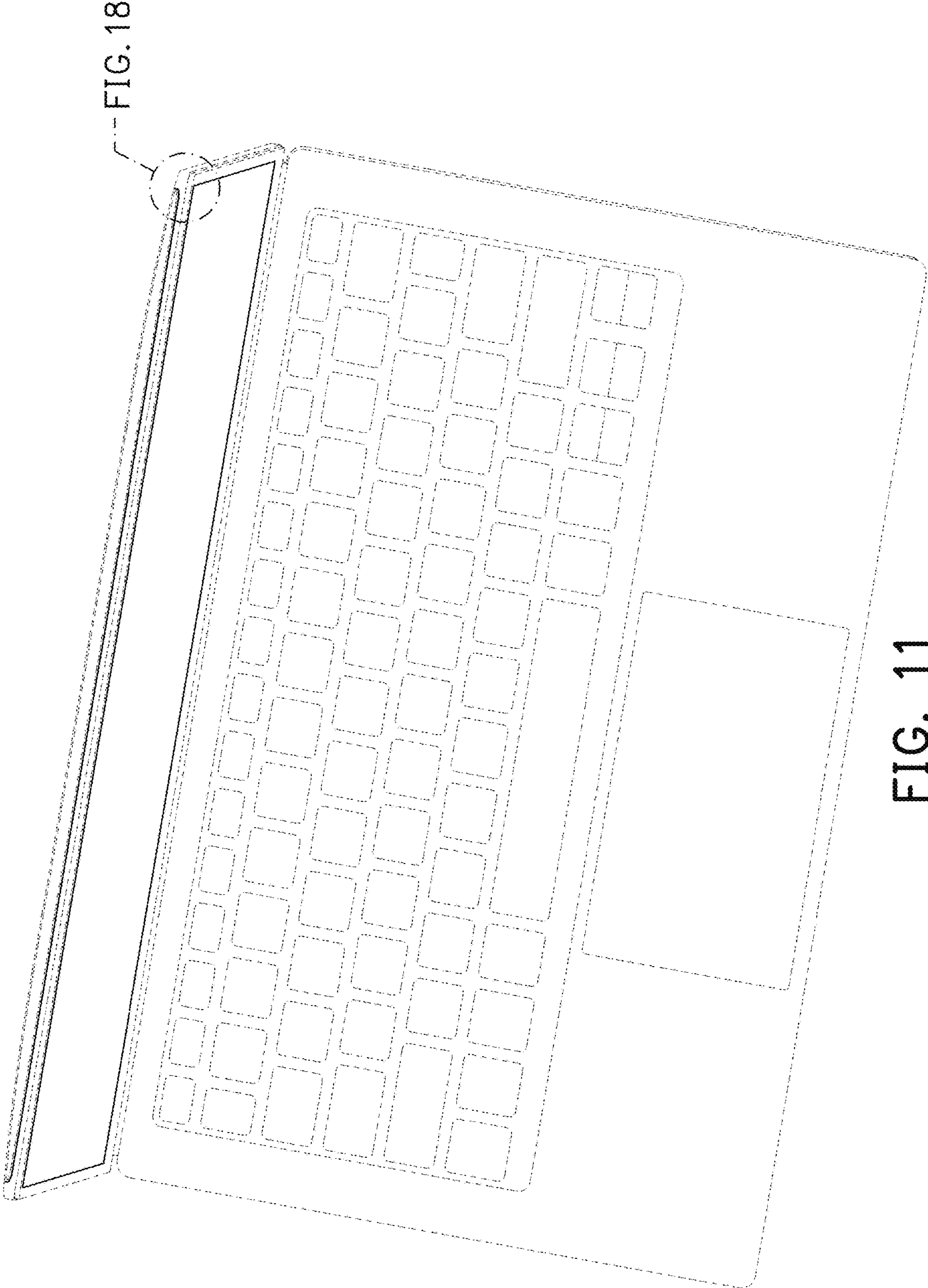


FIG. 18

FIG. 11



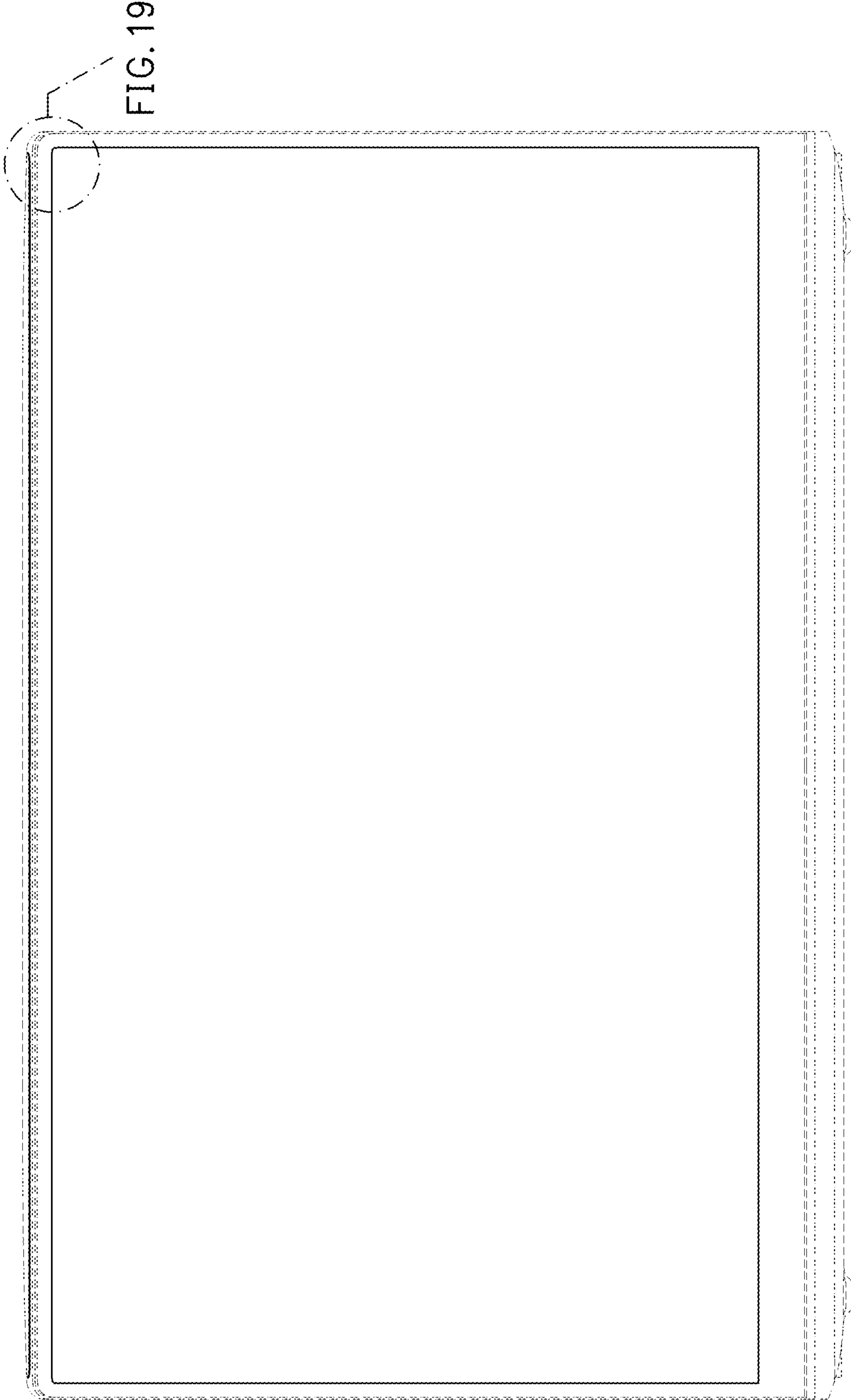


FIG. 12

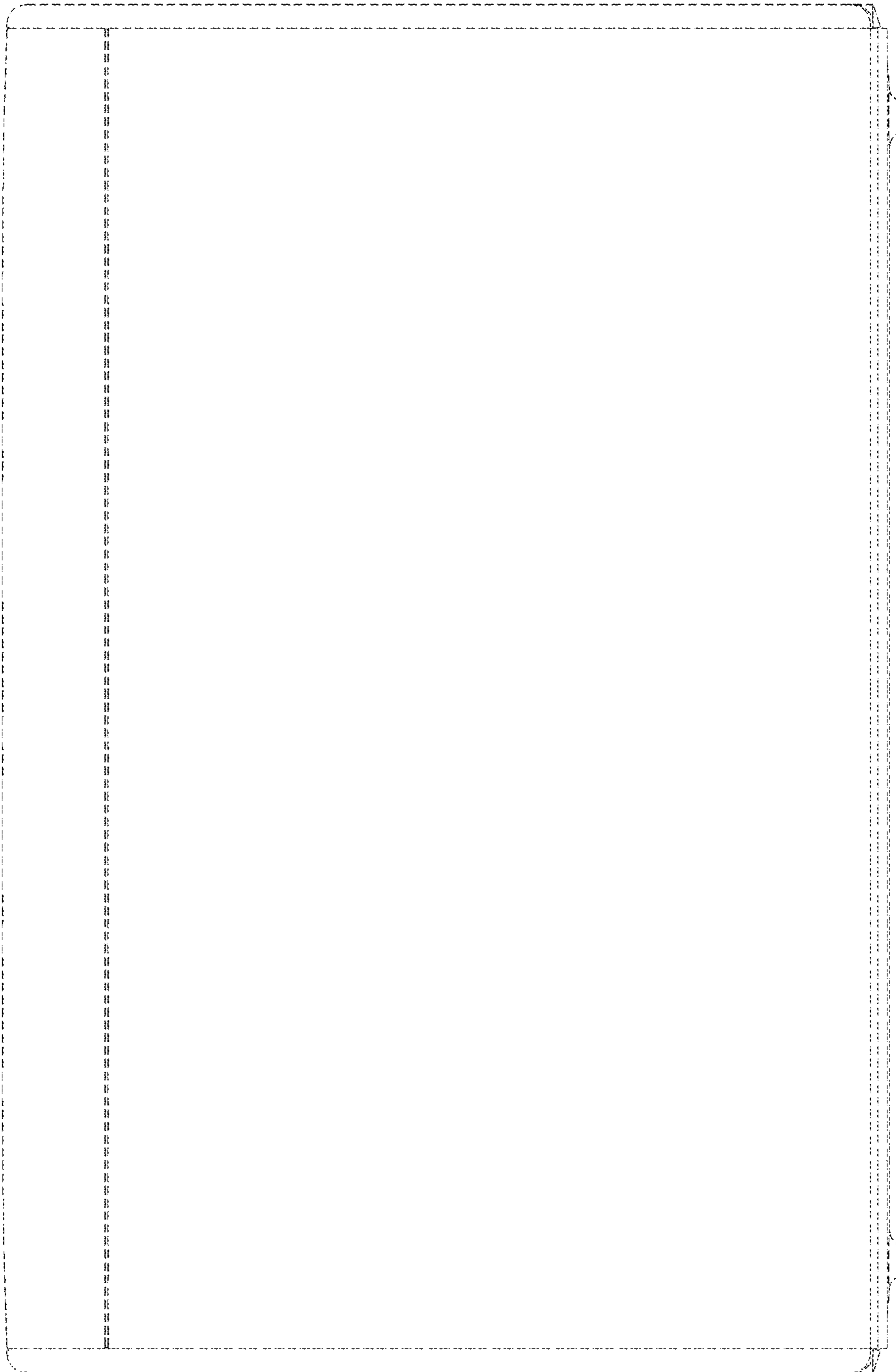


FIG. 13

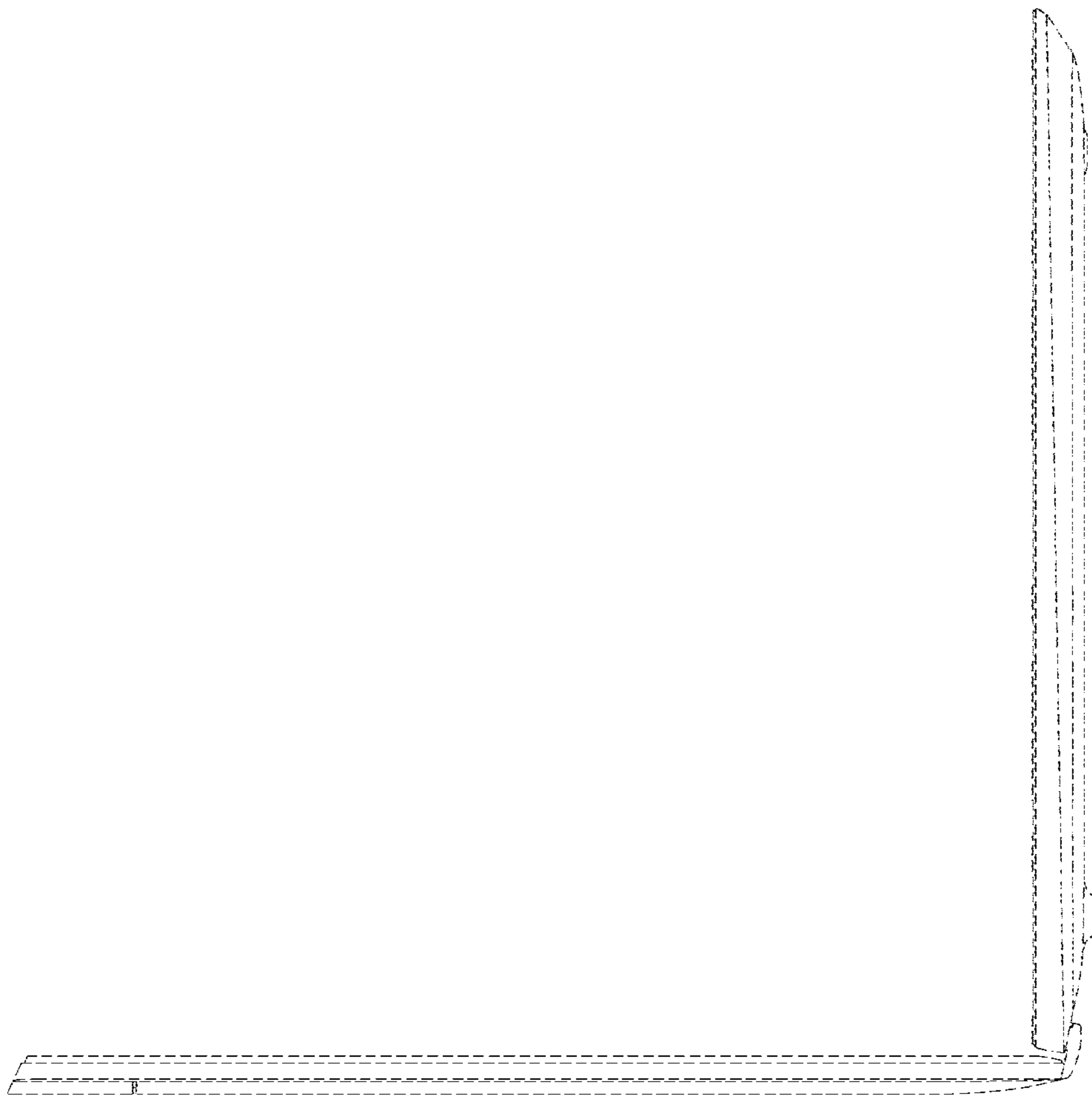


FIG. 14

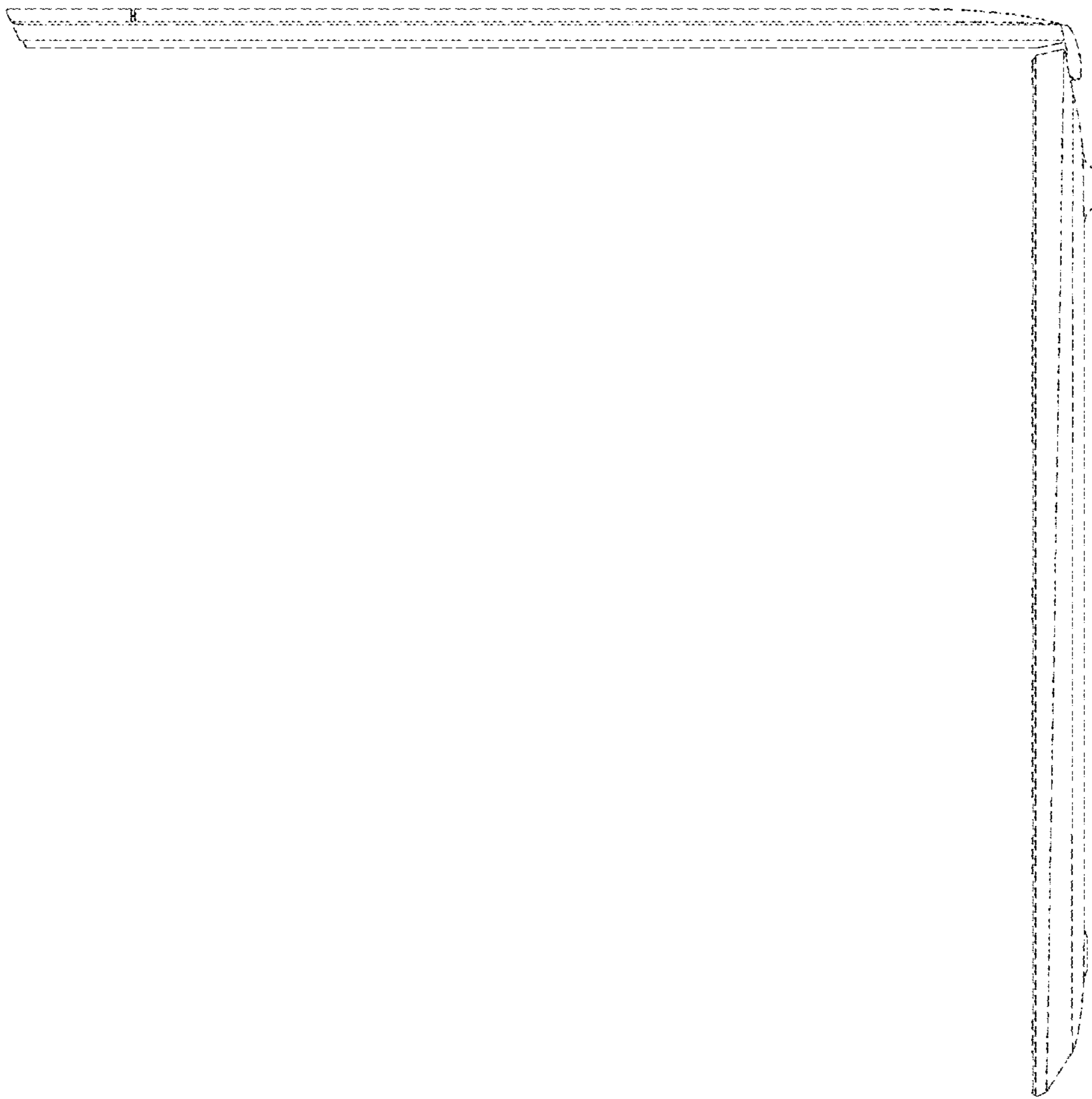


FIG. 15

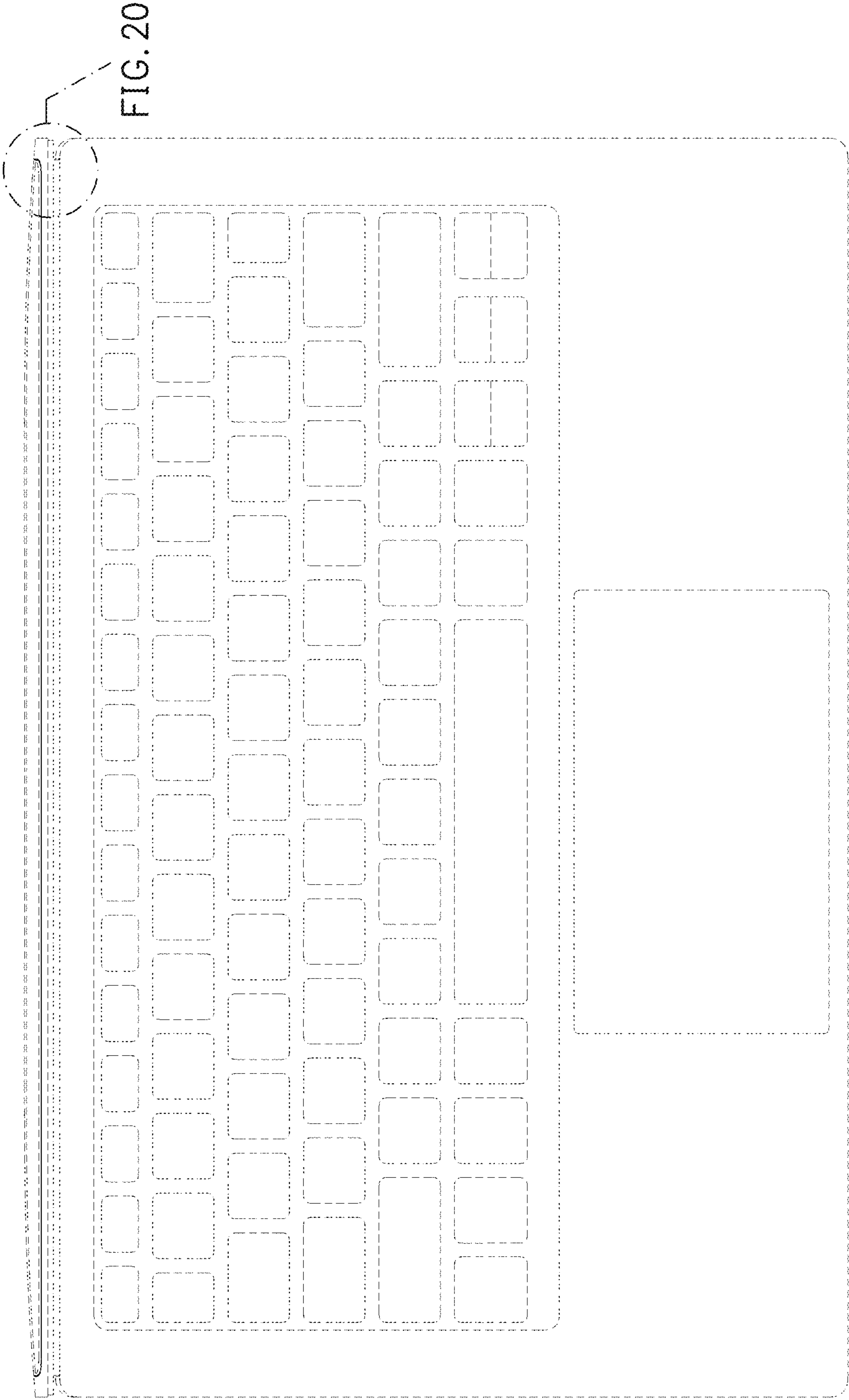


FIG. 16



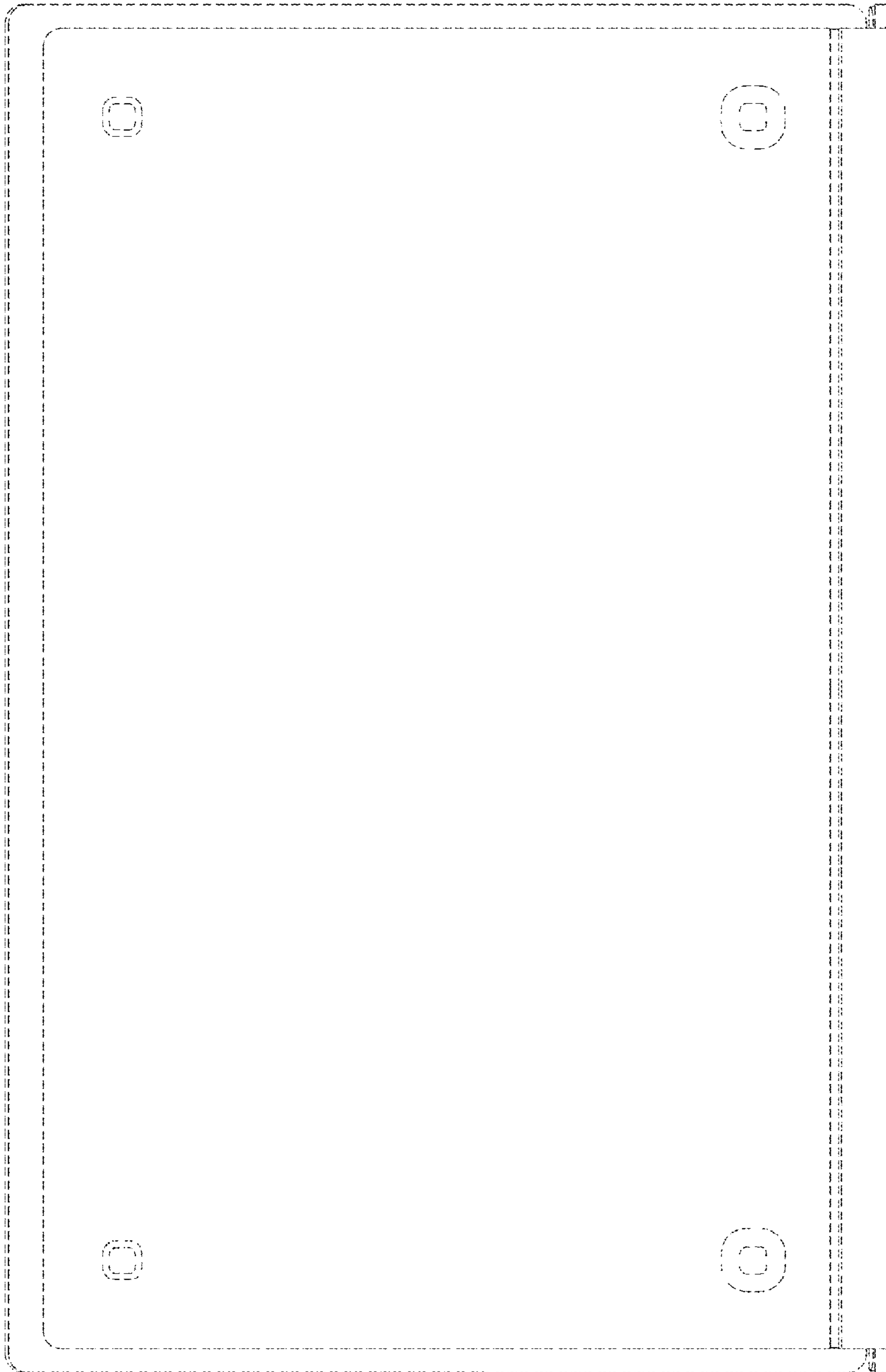


FIG. 17

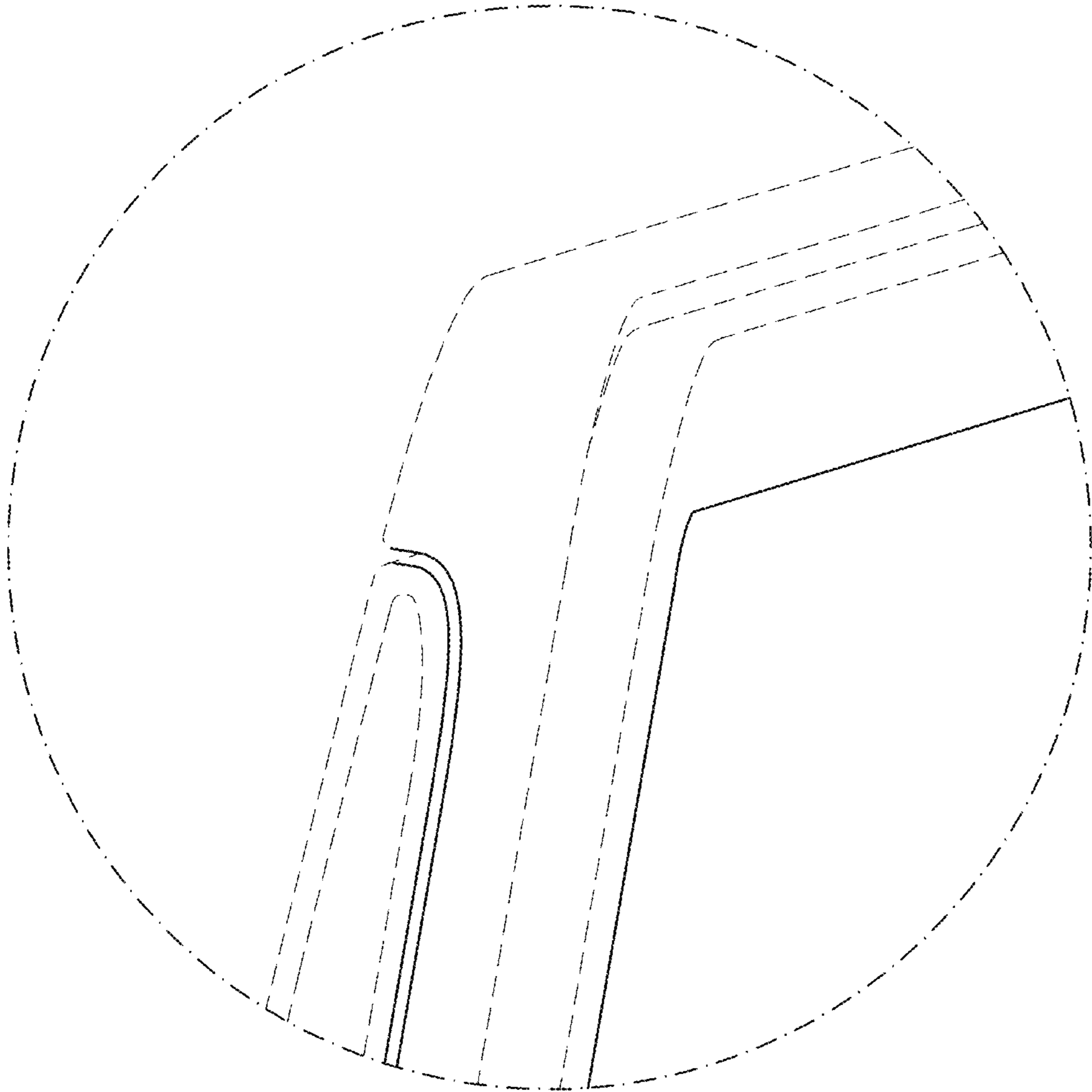


FIG. 18

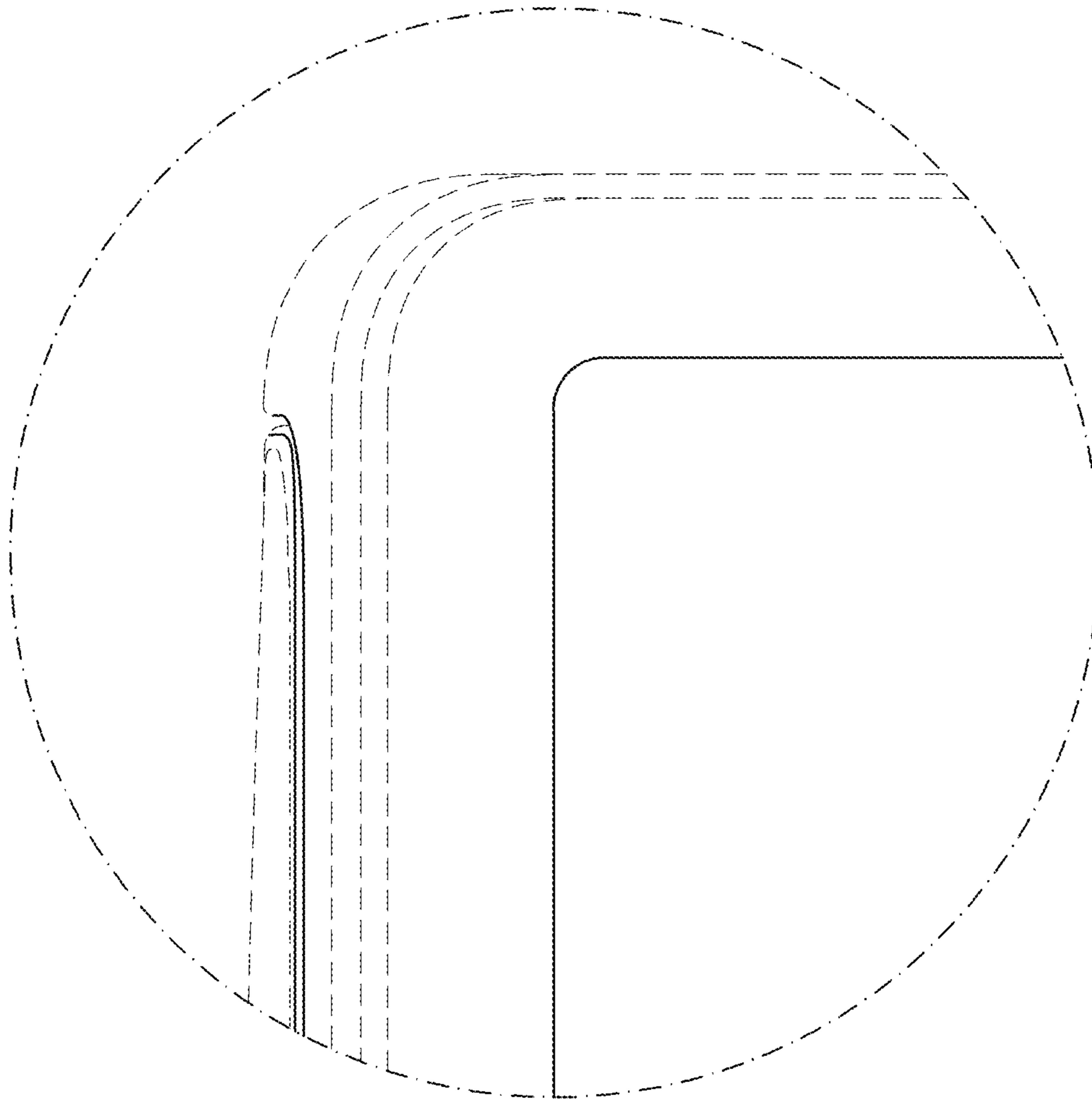


FIG. 19

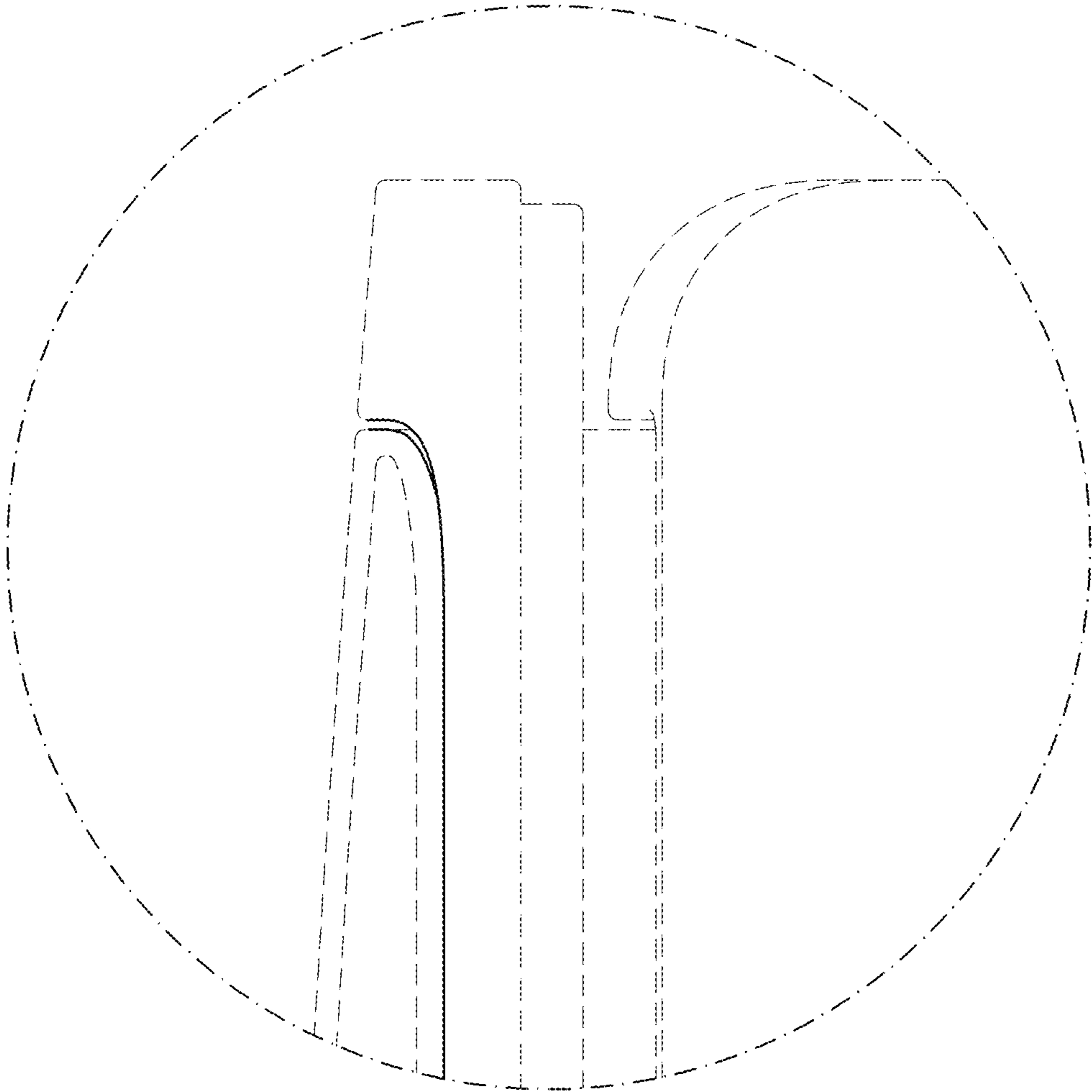


FIG. 20